



CATALOGUE 2016-2017
OPTOELECTRONIC COMPONENTS

www.everlight.com

EVERLIGHT

EVERLIGHT

THE SOURCE OF LIGHT

EVERLIGHT Electronics Co., Ltd. was founded in 1983 in Taipei, Taiwan led by Chairman Robert Yeh, EVERLIGHT Electronics Co. have over 32 years of R&D experience for reliable capability. With immediate service and an excellent brand reputation, EVERLIGHT has taken top five in the competitive LED market. Our products are manufactured and packed in-house to guarantee maximum quality and service.

EVERLIGHT provides a diverse product portfolio consisting of High Power LEDs, SMD LEDs, Lamps, Lighting Components, LED Lighting Modules, Digital Displays, Opto-couplers and Infrared Components for various applications. Today, EVERLIGHT is a global company with over 6,400 employees based in China, Hong Kong, Japan, Korea, Singapore, Malaysia, India, Germany and U.S.A.

For more information, please visit our website :

www.everlight.com

CONTENTS

Alphanumeric Index	04
Conditions of RoHS	15
Application Notice	16
Technical Data	17

Visible LED

COB/Multi-chips		42	
High Power LED		56	
Low Middle Power LED		66	
Flash LED	High Power Flash LED	2016 Package HCRI Type	80
		Reflector Module	84
		Module Type	85
SMD LED	Subminiature LED Lamps(Leadframe)		86
	Surface Mount Chip LED (PCB)	Top View LED	88
		Top View 0402 (0.2T~0.5T)	89
		Top View 0603 (0.2T~0.8T)	90
		Top View 0805	95
		Top View 1206	97
		Top View Bi-Color	98
		Top View Full Color	101
		Side View (0.2T~1.0T)	103
		Side View Bi-Color	106
		Side View Full Color	107
		Reverse Mount	108
		Reverse Mount Bi-color	110
	Surface Mount PLCC LEDs (Reflector)	Top View LED	112
		Top View Bi-Color	113
		Top View PLCC2	114
		Top View PLCC3	116
		Top View PLCC4	116
		Side View LED	117
LED Lamps	2mm Tower Type		118
	3mm Round Type		119
	5mm Round Type		123
	3mm Cylindrical		129
	5mm Cylindrical		129
	5mm Square		129
	Rectangular		130
	3mm Assembly LED		132
	5mm Assembly LED		135
LED Digital Displays	Chip On Board Display	Single Digit Display	137
		Dual Digit Display	139
		Three Digit Display	142
		Four Digit Display	144
	SMD Display	Single Digit Display	145
		Dual Digit Display	148
		Three Digit Display	149
		Four Digit Display	151
	Dot Matrix Display		152
	Light Bar Display		153
Signage LED	Surface Mount Chip LED (PCB)		154
	Surface Mount PLCC LED (Reflector)		155
	Lamp Type LED	3mm Oval Type	158
		5mm Oval Type	159
		5mm Round Type	160
Automotive LED	Exterior Application	High Power LED	161
		Mid Power LED	163
		Low Power LED	164
	Interior Application	Low Power LED	169
Backlighting LED	TV/Monitor	Edge Lite	176
		Direct Lite	178
	Portable	Side View	179

Infrared LED and Silicon Detector	Emitter	Lamp 3mm	184
		Lamp 5mm	185
		Piranha	189
		Side Look	190
		SMD	191
		High Power	198
	Photo Diode	DIP	199
		Side Look	201
		SMD	202
	Photo Transistor	DIP	206
Side Look		208	
SMD		210	
Infrared Receiver Module	Short Burst	DIP-Vo – GND – Vcc	214
		DIP-Vo – Vcc – GND	214
		SMD	214
	Standard Burst	DIP-Vo – GND – Vcc	216
		DIP-Vo – Vcc – GND	220
		SMD	221
	Width Band	DIP-Vo – GND – Vcc	225
		3D	225
	Optic-Fiber Device (Photo Link)	Receiver (PLR) Component	
Receiver (PLR) Module			229
Transmitter (PLT) Component			230
Transmitter (PLT) Module			233
Optical Sensors	Ambient Light Sensor	Analog	235
	Proximity Sensor	Digital	241
	RGB Color Sensor	Single Color Sensor (Analog)	242
	Reflective Sensor		244
	Transmissive Sensor		249
Photo Coupler	Darlington Transistor	4Pin DIP-DC	255
		4Pin SOP-DC	255
		6Pin DIP-DC	256
		8Pin DIP-DC	256
	High Speed	5Pin SOP	257
		8Pin SOP	258
		8Pin DIP	259
		8Pin Wide Body DIP	261
	Schmitt Trigger	6Pin DIP	262
		Transistor	
		4Pin DIP-AC	263
		4Pin DIP-DC	263
		4Pin High Isolation	265
		4Pin SOP-AC	265
		4Pin SOP-DC	266
		4Pin SSOP-AC	266
		4Pin SSOP-DC	267
		4Pin Long Creepage	267
		5Pin Long Creepage	268
	Low Input Current Transistor	5Pin Long Creepage	268
		Transistor	
		6Pin DIP-DC	269
		6Pin DIP-AC	270
		8Pin DIP-DC	270
		8Pin SOP-DC	270
		8Pin SSOP-DC	271
		16Pin DIP-DC	272
	16Pin SSOP-AC	272	
	16Pin SSOP-DC	272	
Triac	4Pin SOP	273	
	4Pin DIP	274	
	5Pin DIP	275	
	6Pin DIP	276	
Relay (Solid State Relay)	4Pin DIP	277	
	6Pin DIP	277	
	8Pin DIP	278	

ALPHANUMERIC INDEX

VISIBLE LED

10-01-C84-YSC-AAS2T2DH-AM	168	15-13D/R6GHBHC-A01/2T	101	17-21/Y2C-AN1P2/3T	95
1003SUBD/S400-A6	131	15-21/B6C-YR1S2B2/2T	97	17-21/Y2C-CN1P2B/3T	95
1003SUGD/S400-A4	131	15-21/B6C-ZQ1R1N/2T	97	17-21/Y2C-CP2Q2B/3T	95
1003SURD/S530-A3	131	15-21/BHC-AN1P2/2T	97	17-215/B6C-YP2R2/3T	96
1003SYGD/S530-E2	131	15-21/G6C-BK1L2VY/2T	97	17-215/BHC-AN1P2/3T	96
103SUBD/S400-A4	118	15-21/G6C-FM1N2B/2T	97	17-215/BHC-BP2Q2M/3T	96
103SURD/S530-A3	118	15-21/G6C-FP1Q1L/2T	97	17-215/G6C-BM1N2L/3T	96
103SYGD/S530-E2	118	15-21/GHC-R2S2/2T	97	17-215/G6C-FN2P2B/3T	96
103UYD/S530-A3	118	15-21/GHC-YR1S1/2T	97	17-215/R6C-AQ1R2B/3T	96
12-11/BHC-ZL1M2QY/2C	103	15-21/R6C-AN1P2/2T	97	17-215/S2C-AQ1R2B/3T	96
12-21/BHC-AN1P2/2C	103	15-21/R6C-FQ1R1B/2T	97	17-215/S2C-CP2R1B/3T	96
12-21/BHC-ZL1M2RY/2C	103	15-21/S2C-AL2M2VY/2T	97	17-215-G6C-F5M1N2B0E-3T-AM	175
12-21/GHC-YR2S2/2C	103	15-21/S2C-AQ2R2B/2T	97	17-215-R6C-AQ2R2B0E-3T-AM	175
12-21/R8C-AN1P2B/2D	103	15-21/S3C-AP1Q2/2T	97	17-215-S3C-5UQ2R2B0E-3T-AM	175
12-21/T3D-AQ2S2M/2C	103	15-21/T1D-CP1Q2TY/2T	97	17-215-Y2C-P9Q2S1B0E-3T-AM	175
12-215/BHC-AN1P2/3C	104	15-21/T7D-JQ2S1PY/2T	97	17-223/BHR7C-C30/3C	106
12-215/BHC-XL1M2HY/3C	104	15-21/W1D-APQHY/2T	97	18-035S/GAR6BDSY-S01/10R	154
12-215/G6C-AL2M2B/3C	104	15-21/Y2C-AN1P2/2T	97	18-038BT/BDGAR6S1-S06/10T	154
12-215/G6C-BP1Q2L/3C	104	15-21/Y2C-CP1Q2B/2T	97	18-039B/BDGAR6S1-S08/10T	154
12-215/R6C-AR1S1B/3C	104	15-215/G7C-BN1P2B/2T	97	18-218/T1D-AN2Q1B3X/6T	111
12-215/T1D-ANPHY/3C	104	15-215/R6C-AM2P1VY/2T	97	18-225/B6R6C-C01/3T	98
12-215/W1D-ANPHY/3C	104	15-215/R6C-AP1Q1L/2T	97	18-225/R6G6C-A01/3T	98
12-215/Y2C-BR1S1L/3C	104	15-21-G6C-AON1P2B0E-2T-AM	174	18-225/S2G6C-A01/3T	98
12-215/Y2C-CP1Q2B/3C	104	15-21-R6C-BQ1R2B0E-2T8-AM	174	18-225A/R6GHW-B01/3T	98
12-215/Y2C-CQ1R1B/3C	104	15-21-Y2SC-A0S1T1B25E-2T-AM	174	19-117/BHC-YJ2K2TX/3T	90
12-21C/BHC-AN1P2/2C	103	15-22/R6G6C-A32/2T	98	19-117/BHC-ZL1M2RY/3T	90
12-21C/BHC-YL1M2HY/2C	103	15-22/R6GHC-A01/2T	98	19-117/T1D-AP2Q2QY/3T	90
12-21C/T3D-CP1Q2B12Y/2C	103	1533SURD/S530-A3	131	19-118/BHC-ZL1M2QY/3T	90
12-21C/W1D-AR1S2/2C	103	1533UYD/S530-A3	131	19-123/Y2ST1D-C30/2T	99
12-22/BHR6C-A01/2C	106	16-213/BHC-AN1P2/3T	89	19-137/R6GHBHC-A01/2T	101
12-22/G6R8C-A30/2C	106	16-213/BHC-ZL1M2QY/3T	89	19-21/B6C-AP2Q2M/3T	91
12-22/R6GHC-A30/2C	106	16-213/GHC-YR1S1/3T	89	19-21/BHC-AP1Q2/3T	91
12-22/Y2G6C-A30/2C	106	16-213/R6C-A2225VZ/3T	89	19-21/BHC-YL1M1RY/3T	91
12-23C/R6GHBHC-A01/2C	107	16-213/T3D-AP1Q2QY/3T	89	19-21/BHC-ZQ1R2N/3T	91
12-23C/S2GHBHC-A01/2C	107	16-213/T7D-AQ1R1QY/3T	89	19-21/G6C-AL1M2LY/3T	91
1224SDRC/S530-A3	120	16-216/T3D-AQ1R2TY/3T	89	19-21/G6C-FM1N2B/3T	91
1224SUGC/S400-A5	120	16-219A/T2D-AR2T1QY/3T	89	19-21/G6C-FP1Q1L/3T	91
1224SURC/S530-A3	120	16-916/T1D-AP1Q2QY/3T	104	19-21/GHC-YN1P2QY/3T	91
1224SYGC/S530-E2	120	17-11/BHC-AN1P2/3T	95	19-21/GPC-FL1M2B/3T	91
1224USOC/S530-A3	120	17-21/BHC-AN1P2/3T	95	19-21/R6C-AL2N1VY/3T	91
1224JTC/S400-A6	120	17-21/BHC-AP1Q2/3T	95	19-21/R6C-FP1Q2L/3T	91
1224UYC/S530-A3	120	17-21/BHC-XLMJY/3T	95	19-21/R7C-AK1L2BY/3T	91
1254-10SDRT/S530-A3	121	17-21/G6C-AN1P1B/3T	95	19-21/R7C-AN2Q1B/3T	91
1254-10SUGC/S400-A5	121	17-21/G6C-AP1Q1B/3T	95	19-21/R8C-FN2Q1L/3T	91
1254-10SURT/S530-A3	121	17-21/G6C-FM1N2B/3T	95	19-21/S2C-AL2M2VY/3T	91
1254-10SYGT/S530-E2	121	17-21/G6C-FN1P2B/3T	95	19-21/S2C-AQ1R2B/3T	91
1254-10UYD/S530-A3	121	17-21/G6C-FP1Q1B/3T	95	19-21/T1D-ANPHY/3T	91
1254-10UYOT/S530-A3	121	17-21/GHC-XS1T2M/3T	95	19-21/T1D-CPQTY/3T	91
1259-7SDRSYGW/S530-A3	121	17-21/GHC-YR1S2/3T	95	19-21/W1D-ANPHY/3T	91
1259-7SURSYGW/S530-A3	121	17-21/GPC-AK0M1B/3T	95	19-21/Y2C-AL1M2VY/3T	91
1259-7UYOSYGW/S530-A3	121	17-21/GVC-AMPB/3T	95	19-21/Y2C-CP1Q2B/3T	91
1259-7UYSYGW/S530-A3	121	17-21/R6C-AN2Q1B/3T	95	19-213 /Y2C-CQ1R2/3T	93
1383-2SDRD/S530-A3	127	17-21/R6C-AP1Q2L/3T	95	19-213/B7C-AQ2S1B2/3T	93
1383-2SUGT/S400-A4	127	17-21/R7C-AN2Q1B/3T	95	19-213/BHC-AN1P2/3T	93
1383-2SURD/S530-A3	127	17-21/S2C-AN1P2B/3T	95	19-213/G6C-AP1Q2/3T	93
1383SYGD/S530-E2	127	17-21/S2C-AP1Q2B/3T	95	19-213/G6C-BM1N2B/3T	93
1383UYD/S530-A3	127	17-21/T1D-ANPHY/3T	95	19-213/G6C-FN2Q1L/3T	93
15-11/BHC-AN1P2/2T	96	17-21/T1D-CP2R1TY/3T	95	19-213/G6W-FN1P1B/3T	93
15-11/BHC-ZL2N1QY/2T	96	17-21/T1D-KN2P2HY/3T	95	19-213/GHC-XS1T1N/3T	93
15-11/W1D-APQHY/2T	96	17-21/W1D-APQHY/3T	95	19-213/GHC-YP1Q2QY/3T	93

19-213/GHC-YR1S2/3T	93	19-237B/R6GHBHC-C01/2T	102	31-01-B14- RAC-D4T1U1DH-AM	167
19-213/R6C-AM2P1VY/3T	93	19-337/R6GHBHC-A01/2T	102	31-01-B14-S3NC-C6T1U1DH-AM	167
19-213/R6C-AN1P2/3T	93	204-10SDRD/S530-A3	118	313-2SUBC/C470/S400-A5	123
19-213/R6C-AN2Q1B/3T	93	204-10SUBC/S400-A4	118	313-2SURC/S530-A3	123
19-213/R6C-AP1Q2B/3T	93	204-10SUGC/S400-A5	118	313-2SYGC/S530-E2	123
19-213/R6C-AQ1R2B/3T	93	204-10SURD/S530-A3	118	313-2USOC/S400-A3	123
19-213/R8C-FN1P2/3T	93	204-10SYGD/S530-E3	118	313-2UYD/S530-A3	123
19-213/S2C-AN1P2B/3T	93	204-10UYD/S530-A3	118	313-2UYOC/S530-A3	123
19-213/S3C-AN2P2B/3T	93	204-10UYOC/S530-A3	118	323-2SDRD/S530-A3	123
19-213/T1D-ANPHY/3T	93	209SDRSYGW/S530-A3	119	323-2SUBC/S400-X9	123
19-213/Y2C-AP1Q2B/3T	93	209SURSYPGW/S530-A3	119	323-2SUGC/S400-X4	123
19-213/Y2C-CN1P2/3T	93	209UYOSUGC/S530-A3	119	323-2SURD/S530-A3	123
19-213/Y2C-CP1Q2L/3T	93	22-21/BHC-AN1P2/2C	105	323-2SYGD/S530-E2	123
19-213/Y2C-CQ2R2L/3T	93	22-21/GHC-YR1S2/2C	105	323-2UYD/S530-A3	123
19-213A/T1D-CP2Q2HY/3T	92	22-23/R6GHBHC-A01/2C	107	3294-15SUBC/S400-A6	122
19-213-G6SC-M0P1Q1B0E-3T-AM	175	22-23C/R6GHBHW-C01/2C	107	3294-15SUGC/S400-A6	122
19-213-R6C-A0R2S2B0E-3T-AM	175	23-21/G6C-AL2N1/2T	108	3294-15SURC/S400-A7	122
19-213-S3SC-B0S1T1B0E-3T-AM	175	23-21/GHC-YR2T1/2A	108	3294-15SYGC/S530-E2	122
19-213-Y2SC-9AS1T1B0E-3T-AM	175	23-21/R6C-AM1N2AY/2A	108	3294-15UBGC/S400-A6	122
19-217/B9C-ANQE/3T	92	23-21/R8C-AN2Q1B/2T	108	3294-15UYC/S530-A5	122
19-217/BHC-AN1P2/3T	92	23-215A/BHC-DN2P2E/5A	109	33-01-C34-YYSC-A5T1U1CH-AM	167
19-217/BHC-XK1L2B11X/3T	92	23-21B/BHC-AN1P2/2A	108	33-01-C44-RRFC-D1T1U1CH-AM	167
19-217/BHC-YL2M2TY/3T	92	23-21B/BHC-ZM1N2TY/2A	108	333/B1C1-ARUA/MS	160
19-217/G7C-AL1M2B/3T	92	23-21B/G6C-AM2P1/2A	108	333/G1C1-AWYA/MS	160
19-217/GHC-YR1S2/3T	92	23-21B/S2C-AP1Q2B/2A	108	333/R7C1-AUWB/P/MS	160
19-217/R6C-P1Q2/3T	92	23-21B/T1D-ANQHY/2A	108	333/Y7C1-ATWB/P/MS	160
19-217/S2C-AL1M2VY/3T	92	23-21B/T1D-CP2Q2TY/2A	108	333-2SDRC/S530-A4	124
19-217/S3C-AL2N1VY/3T	92	23-21B/W1D-ANQHY/2A	108	333-2SUBC/C470/S400-A6	124
19-217/T1D-ANPHY/3T	92	23-21C/T1D-CP2Q2TY/2A	108	333-2SUGC/S400-A5	124
19-217/T1D-JP1Q2QY/3T	92	23-22B/R7G6C-A30/2T	110	333-2SURC/S400-A8	124
19-217/W1D-CPQTY/3T	92	23-22B/S2BHC-C30/2A	110	333-2SYGC/S530-E2	124
19-217/Y5C-AM1N1VY/3T	92	23-22C/S2BHC-B30/2A	110	333-2UTC/S400-A6	124
19-217/Y5C-APQB/3T	92	23-23B/R6GHBHC-A01/2A	110	333-2UYC/S400-A4	124
19-217/Y5C-AQ2R2/3T	92	24-21/BHC-AN1P2/2A	109	333-2UYC/S530-A3	124
19-218/BHC-ZL1M2QY/3T	94	24-21/GHC-YR2T1/2A	109	333-2UYOC/S530-A3	124
19-218/GHC-YR1S2M/3T	94	264-7SDRC/S530-A3	119	334-15/F1C1-1XZA	125
19-218/R6C-AL1M2VY/3T	94	264-7SUBC/S400-X9	119	334-15/F1C2-7VXA	125
19-218/R6C-FM2P1B7Y/3T	94	264-7SUGC/S400-A5	119	334-15/F1C5-1RTA	125
19-218/T1D-CQ2R2TY/3T	94	264-7SURC/S400-A8	119	334-15/T1C1-4WYA	125
19-219/T3D-AQ2R2TY/3T	94	264-7SYGC/S530-E3	119	334-15/T1C3-4SUC	125
19-219/T7D-AV1W1E/3T	94	264-7UYC/S400-A9	119	334-15/T1C5-7QSA	125
19-219/Y5C-AM1N2VY/3T	94	264-7UYOC/S530-A3	119	334-15/T2C1-1UWA	125
19-22/G6R6C-A31/2T	99	27-21/BHC-AN1P2/3C	105	334-15/T2C2-1TWB	125
19-22/R6BHC-B01/2T	99	27-21/BHC-AP1Q2/3C	105	334-15/T2C3-6RTB	125
19-22/R6G6C-A01/2T	99	27-21/GHC-YR1S2M/3C	105	334-15/T2C5-2PSB	125
19-22/R6GHC-C02/2T	99	27-21/R6C-AP1Q2B/3C	105	334-15/X1C2-1UWA	125
19-22/Y2G6C-A14/2T	99	27-21/T1D-ANPHY/3C	105	334-15/X1C5-1QSA	125
19-223/G6S2C-A01/2T	100	27-21/T1D-CQ1R2NW/3C	105	334-15/X2C1-1UWB	125
19-223/R6BHC-A05/2T	100	27-21/T3D-AP2Q2HY/3C	105	334-15/X2C3-1QTA	125
19-223/R6G6C-A01/2T	100	27-21/W1D-APQHY/3C	105	334-15/X2C5-1PSB	125
19-223/R7BHC-A30/2T	100	27-21/Y2C-CPQB/3D	105	336SURSYPGW/S530-A3	124
19-223/R7G6C-A01/2T	100	28-21SDRC/S530-A3/TR8	86	336SYGSYGD/S530-E2	124
19-223/S2BHC-A01/2T	100	28-21SURC/S530-A2/TR8	86	336UYSYGW/S530-A3	124
19-223/S2T1D-C30/2T	100	28-21UYC/S530-A3/TR8	86	339-1SDRSYGC/S530-A3	126
19-223/Y2G6C-A01/2T	100	30-01-B74-S3NC-C6T1U1DH-AM	167	339-1SURSYPGW/S530-A3	126
19-226/R6BHC-B01/2T	100	30-01-B84-RFC-D4T1U1DH-AM	167	339-1UYSYGW/S530-A3	126
19-226/R6G7C-B02/2T	100	30-01-B84-YSC-A1T1U1DH-AM	167	339-1UYUBW/S530-A4	126
19-226/R6GHC-A03/2T	100	3003UM2C/TR8-T	181	3474BHB	158
19-237/R6GHBHC-A04/2T	101	3004UM2C/TR8-T	181	3474BHG	158
19-237A/BHR6GHC-A01/2T	102	3006UM2C/TR8-T	180	3474BHR	158

ALPHANUMERIC INDEX

VISIBLE LED

3474ELB	158	45-21S/KK3C-H6565L1L4B42Z3/2T	78	594SURD/S530-A3	131
3474ELG	158	45-21-S3NC-6FV1AAC1F-2T8-AM	170	594SYGD/S530-E2	131
3474ELR	158	45-21S-RFNC-AKABBBG3S-2T8-AM	169	594UYD/S530-A3	131
3535CNU-NP53A64DF9J43040Z35-F41S-AM	162	45-21S-YDC-F0BACAD4S-2T8-AM	169	594UYD/S530-A3	131
3535CNU-URR3R4F6F71925Z35-F41S-AM	162	45-21-Y2SC-V3Q1R2F8C-2T8-AM	170	601-B23/RWGDBBW1-S01/2T	157
3535CNU-UYAYBF6F82535Z35-F41S-AM	162	48-213/BHC-ZM2P1QY/3C	105	602-B23/RWGDBBW1-S01/2T	157
37-21S/KK3C-H2727M31N32936Z6/2T	79	48-213/R6C-AM1N2VY/3C	105	61-238UMC/S3085/TR8/LT	68
37-21S/KK3C-H3030M4N42936Z6/2T	79	48-213/T2D-AQ2R2QY/3C	105	62-113TUNC/F105125VM58BJ-T	178
37-21S/KK3C-H4040M41N42936Z6/2T	79	48-213/T3D-AP1Q2TY/3C	105	62-117B-BUTR-30EBGBA6J-2T8-AM	171
37-21S/KK3C-H5050M42N42936Z6/2T	79	48-213/T7D-AQ1R2QY/3C	105	62-117B-BUTR-65EBGBA6J-2T8-AM	171
37-21S/KK3C-H5757M42N42936Z6/2T	79	484-10SDRC/S530-A3	120	62-117D-BUTR-65A3B3G2K-2T8-AM	171
37-21S/KK3C-H6565M42N42936Z6/2T	79	484-10SUBT/S400-A5	120	62-123TUNC/F120155M58SBF-T	178
38-01-A84-RAC-D4T1U1DH-AM	167	484-10SURT/S530-A3	120	62-129TUNC/T94104N47S9C-T	176
38-01-A84-S3NC-C1S2T2CH-AM	167	484-10SYGT/S530-E2	120	62-216TFUMRGC/T5060M4AT9F-T	177
3805UM2C/TR8-T	180	484-10UYOC/S530-A3	120	62-217D/KK5D-3M2727X0Y02530U6/2T	77
383-2SDRC/S530-A3	126	484-10UYT/S530-A3	120	62-217D/KK5D-3M3030X1Y12530U6/2T	77
383-2SUBC/C470/S400-A6	126	494-10SUBC/S400-X9-L	120	62-217D/KK5D-3M4040X2Y22530U6/2T	77
383-2SUGC/S400-A4	126	494-10SURT/S530-A3	120	62-217D/KK5D-3M5050X3Y32530U6/2T	77
383-2SURC/S530-A3	126	494-10SYGT/S530-E2	120	62-217D/KK5D-3M5757X3Y32530U6/2T	77
383-2SYGC/S530-E2	126	494-10UYOC/S530-A3	120	62-217D/KK5D-3M6565X2Y22530U6/2T	77
383-2USOC/S530-A6	126	494-10UYT/S530-A3	120	62-217D/KK5D-H2727R2R52834Z15/2T	77
383-2UYC/S530-A3	126	50-315Z-BUTR-C3Q60822H7S-2T8-AM	169	62-217D/KK5D-H3030R3R62834Z15/2T	77
414-10SURD/S530-A3	129	50-315Z-BUTR-C3Q61228H7L-2T8-AM	169	62-217D/KK5D-H4040R4R72834Z15/2T	77
414-10UYD/S530-A3	129	50-315Z-BUTR-C3Q61634H7N-2T8-AM	169	62-217D/KK5D-H5050R4R72834Z15/2T	77
4204-10SDRC/S530-A3	122	50-615TUMRFC/S4700-1/TR8-T	177	62-217D/KK5D-H5757R4R72834Z15/2T	77
4204-10SUBC/S400-X9	122	50-715TZUMNC/T5664N799F-T	176	62-217D/KK5D-H6565R4R72834Z15/2T	77
4204-10SUGC/S400-A5	122	513-2SDRD/S530-A3	130	63-119-BHD-ZM1N2TY-3T	111
4204-10SURC/S530-A3	122	513-2SUBC/S400-A6	130	63-119-T1D-AN2Q1TY-3T	111
4204-10SYGC/S530-E4	122	513-2UYOT/S530-A3	130	6324-15SUBC/S400-X10	127
4204-10USOC/S530-A3	122	513SURD/S530-A3	130	6324-15SUGC/S400-A5	127
4204-10UYC/S530-A3	122	513SYGD/S530-E2	130	6324-15SURC/S400-A9	127
4204-10UYOC/S530-A3	122	513UYD/S530-A3	130	6324-15SYGC/S530-E5	127
42-21/BHC-AUW/1T	88	519-1SDRSYGW/S530-A3	130	6364/BADA-AHKA/P/MS	159
42-21A/BHC-ZV1W2N/1T	88	519-1SURLSYGW/S530-A3	130	6364/BADA-AKMA/P/MS	159
42-21A/GHC-YX1Y2N/1T	88	519-1UYSYGW/S530-A3	130	6364/GADA-ANQA/P/MS	159
423-2SUBC/S400-A4	129	52-01-A5D-RAC-DBU1V1DH-AM	168	6364/GADA-AQSA/P/MS	159
423-2SUGC/S400-X6	129	52-01-A5D-YSC-A3U1V1DH-AM	168	6374/R7DA-AJKB/P/MS	159
423-2SURC/S530-A3	129	523-2SDRD/S530-A3	130	6374/R7DA-AKMB/P/MS	159
423-2SYGC/S530-E2	129	523-2SUBC/S400-A4	130	6374/Y7DA-AJKB/P/MS	159
423-2UYC/S530-A6	129	523-2SUGD/S400-A6	130	6374/Y7DA-ALNB/P/MS	159
423-2UYOC/S530-A3	129	523-2SURD/S530-A3	130	65-11/BHC-AR1S2B2/2T	114
45-11-BNSB-39444901E-2T8-AM	170	523-2USOD/S530-A3	130	65-11/T2C-FV1W2E/2T	114
45-11-BVC-Q4R1T1A9C-2T8-AM	170	523-2UYD/S530-A3	130	65-11-BHC-K9R2S2A7E-2T8-AM	173
45-11S-BUTC-KOU2V2F7S-2T8-AM	169	523-2UYOD/S530-A3	130	65-11-GBC-Y0V1AAN0E-2T8-AM	173
45-11S-BUTT-EQ0E9H06S-2T8-AM	169	523SYGD/S530-E2	130	65-21/G6C-AN2Q1/3T	114
45-21-GPSC-6CP2R1F8G-2T8-AM	170	5484BN/BADC-AFHA/P/MS	159	65-21/Y2C-CJ2L2X/3T	114
45-21-R6SC-Q6N2Q2J3B-2T8-AM	170	5484BN/BADC-AGJA/P/MS	159	65-21/Y2SC-AR1S2B/2T	114
45-21S/KK2D-H2727M3N4B2Z6/2T	78	5484BN/GADC-ALMA/P/MS	159	65-21/Y2SC-FR2S1B/2T	114
45-21S/KK2D-H3030M31N4B2Z6/2T	78	5484BN/GADC-AMNA/P/MS	159	65-21-R7SC-A6Q2S1B0E-2T8-AM	173
45-21S/KK2D-H4040M4N4B2Z6/2T	78	5484BN/R7DC-AGJB/P/MS	159	65-21-S2SC-B2S1T1B7E-2T8-AM	173
45-21S/KK2D-H5050M4N4B2Z6/2T	78	5484BN/R7DC-AHJB/P/MS	159	65-21-Y2SC-A0R1S2B7E-2T8-AM	173
45-21S/KK2D-H5757M4N4B2Z6/2T	78	57-11UTC/S827-1/TR8	117	65-B11-BLP-CM5CA0Q1T2NOC-2T8-AM	173
45-21S/KK2D-H6565M4N4B2Z6/2T	78	57-21/R6C-AP1Q2B/BF	117	65-B11-BLP-SF5SA3M2R1NOC-2T8-AM	173
45-21S/KK3C-E2727B8L32835Z3/2T	78	57-21SYGC/S530-E3/TR8	117	65-B11-BLT-PLFKQ2U1NOC-2T8-AM	173
45-21S/KK3C-7E3030B9L32835Z3/2T	78	583SURD/S530-A3	129	67-01/Y2W-MV1W1/2T/MS	155
45-21S/KK3C-7E3535B9L32835Z3/2T	78	583SYGD/S530-E2	129	67-03/BHGHR6W-B11/2T	116
45-21S/KK3C-7E4040L1L42835Z3/2T	78	583UYD/S530-A3	129	67-03/RSGHBHC-B06/1T	116
45-21S/KK3C-7E5050L1L42835Z3/2T	78	594SDRC/S530-A3	131	67-03A/R6GHBHW-A01/2T/MS	155
45-21S/KK3C-7E6060L1L42835Z3/2T	78	594SUBC/C470/S400-A4	131	67-11/BHC-FQ2S1F/2T	114
45-21S/KK3C-7E6565L1L42835Z3/2T	78	594SUGC/S400-A5	131	67-11/GHC-AT2V1/2T	114

67-11/W1C-ES1T2N/2T	114
67-11/W1C-FV1W2F/2T	114
67-11-B7C-B0T1U1E0E-2T8-AM	172
67-11-BLP-CM5CA0S1V2N0C-2T8-AM	172
67-11-BLP-SF5SA3Q2U1N0C-2T8-AM	172
67-11-BLT-PLFKS2U2N0C-2T8-AM	172
67-11-GHC-YOU1V2A6E-2T8-AM	172
67-11S-BUTR-50K4A2G2S-2T8-AM	172
67-11U-NP56B64DBACB2638Z2-2T0T-AM	165
67-21/B3C-BN1Q2N/2T	115
67-21/B7C-AS2U1N/2T	115
67-21/G4C-BQ1T2N/2T	115
67-21/GBC-YV2W2N/2T	115
67-21/GHC-AS2U1B17Z/2T	115
67-21/GHC-BV1/2T	115
67-21/R6C-AP2R1B/2T	115
67-21/R6C-FN2Q1BZ/2T	115
67-21/R6C-FR2T1B/2T	115
67-21/R6C-FS1U1B/2T	115
67-21/RSC-FT2V1B/2T	115
67-21/S2C-FQ2R2B/2T	115
67-21/S3C-AS1T1/2T	115
67-21/T2C-YV2W2B22/2A0	115
67-21/T2C-ZV1W2E/2T	115
67-21/T3C-EU1V2M/2A0	115
67-21/Y2C-AS1T1/2T	115
67-21/Y2C-BR2T1B/2T	115
67-21/YSC-FU1U2B/2T	115
67-21/YSC-FU1V2B/2T	115
67-21-R6C-F0R2T1B0E-2T8-AM	172
67-21S/HK4C-H2727QA1R32834Z15/2T74	
67-21S/HK4C-H3030R1R42834Z15/2T	74
67-21S/HK4C-H4040R11R42834Z15/2T	74
67-21S/HK4C-H5050R2R52834Z15/2T	74
67-21S/HK4C-H5757R2R52834Z15/2T	74
67-21S/HK4C-H6565R2R52834Z15/2T	74
67-21S/KK4C-M2727V7X72532U6/2T	73
67-21S/KK4C-M3030V8X82532U6/2T	73
67-21S/KK4C-M4040V9X92532U6/2T	73
67-21S/KK4C-M5050X0Y02532U6/2T	73
67-21S/KK4C-M5757X0Y02532U6/2T	73
67-21S/KK4C-M6565V9X92532U6/2T	73
67-21S/KK5C-H2727N3N4B2532Z6/2T	73
67-21S/KK5C-H2727R2R52834Z15/2T	73
67-21S/KK5C-H3030N3P02532Z6/2T	73
67-21S/KK5C-H3030R3R62834Z15/2T	73
67-21S/KK5C-H4040N32P02532Z6/2T	73
67-21S/KK5C-H4040R3R62834Z15/2T	73
67-21S/KK5C-H5050N4P02532Z6/2T	73
67-21S/KK5C-H5050R4R72834Z15/2T	73
67-21S/KK5C-H5757N4P02532Z6/2T	73
67-21S/KK5C-H5757R4R72834Z15/2T	73
67-21S/KK5C-H6060N4P02532Z6/2T	73
67-21S/KK5C-H6565N4P02532Z6/2T	73
67-21S/KK5C-H6565R4R72834Z15/2T	73
67-21-S9C-N1U1V1A5E-2T8-AM	172
67-21U-URD1224V1AB1828Z2-2T0C-AM	165
67-21U-UYD8395V1AB1828Z2-2T0C-AM	165
67-21-YSC-C2U2AABPE-2T8-AM	172
67-22/G3G3C-B45/2T	113

67-22/R6BHC-B07/2T	113
67-22/R6G6C-B09/2T	113
67-22/R6Y2C-B31/2T	113
67-22ST/HK4C-H2727R8S25868Z15/2T	76
67-22ST/HK4C-H3030R8BS35868Z15/2T	76
67-22ST/HK4C-H4040S1S45868Z15/2T	76
67-22ST/HK4C-H5050S1S45868Z15/2T	76
67-22ST/HK4C-H5757S1S45868Z15/2T	76
67-22ST/HK4C-H6565S1S45868Z15/2T	76
67-22ST/HK3C-H272700005664Z8/2T	75
67-22ST/KK3C-H303000005664Z8/2T	75
67-22ST/KK3C-H404000005664Z8/2T	75
67-22ST/KK3C-H505000005664Z8/2T	75
67-22ST/KK3C-H575700005664Z8/2T	75
67-22ST/KK3C-H656500005664Z8/2T	75
67-22ST/KK4C-7E2727S2BS66670Z15/2T	75
67-22ST/KK4C-7E3030S3S75670Z15/2T	75
67-22ST/KK4C-7E4040S3S75670Z15/2T	75
67-22ST/KK4C-7E5050S3BS75670Z15/2T	75
67-22ST/KK4C-7E6565S3BS75670Z15/2T	75
67-22ST/KK5C-H2727S3S758701Z15/2T	75
67-22ST/KK5C-H3030S3S758701Z15/2T	75
67-22ST/KK5C-H4040S3S758701Z15/2T	75
67-22ST/KK5C-H5050S4S858701Z15/2T	75
67-22ST/KK5C-H5757S4S858701Z15/2T	75
67-22ST/KK5C-H6565S4S858701Z15/2T	75
67-22SURSUGC/S530-A2/TR8	113
67-22UYSUGC/S530-A5/TR8	113
67-23/R6GHBHC-B05/2T	112
67-23/T2C-EY2Z0/2T	112
67-235-BJRQGCC-A01E-2T8-CS	112
67-23SDRSYGUBC/TR8	112
67-31A/B7C-AT1U2MZ3/2T	116
67-31A/GHC-YV1W2EZ3/2T	116
67-31A/SAC-AW1X2B9Z5/2T	116
67-31E/RSC-AV1W2B9Z5/2T	116
67-31EP3-URD1224DBFBZ5-ET0D-AM	167
67-31EP3-UYD8395DBFBZ5-ET0D-AM	167
67-31EP6-URD1224DAFAZ5-ET0D-AM	166
67-31EP6-UYD8395DAFAZ5-ET0D-AM	166
67-31EU-URD1224BACB1828Z5-2T0C-AM	164
67-31EU-UYD8395BACB1828Z5-2T0C-AM	164
67-31EUZ-NP56B64DBDA2638Z3-2T0T-AM	164
67-41EP3-URD1224DBFBZ5-ET0D-AM	166
67-41EP3-UYD8395DBFBZ5-ET0D-AM	166
67-41EP6-URD1224DAFAZ5-ET0D-AM	165
67-41EP6-UYD8395DAFAZ5-ET0D-AM	165
67-41EU-URD1224BACB1828Z5-2T0C-AM	164
67-41EU-UYD8395BACB1828Z5-2T0C-AM	164
67-41EUZ-NP56B64DBDA2638Z3-2T0T-AM	164
67-63U-BARANGB-202020-2TOW-AM	174
7343/BAD5-AGJA/P/MS	160
7343/GAD5-ANQA/P/MS	160
7343/R7C2-AQSB/P/MS	160
7343/R7D5-AHKB/P/MS	160
7343/Y7C2-AQSB/P/MS	160
7343-2SUBC/S400-A4	127
7343-2SURC/S530-A3	127
7343-2SURC/S530-A3	127
7343-2SYGC/S530-E2	127

7343-2SYGD/S530-E3	127
7343-2USOC/S530-A3	127
7343-2UYC/S530-A3	127
7343-2UYC/S530-A3	127
7344/V7C2-ASVA/P/MS	160
7344-15SUBC/C470/S400-A6	128
7344-15SUGC/S400-A5	128
7344-15SUGC/S400-X6	128
7383/BAC3-ANQA/P/MS	160
7383/G1C3-ATVA/P/MS	160
7383/R7C3-AQSB/P/MS	160
7383/R7C3-ARUB/P/MS	160
7383/Y7C3-ARUB/P/MS	160
7383/Y7C3-AQSB/P/MS	160
7383/Y7C3-ARUB/P/MS	160
91-21SUBC/S400-A4/TR7	86
91-21SUGC/S400-A4/TR7	86
91-21SURC/S530-A6/TR7	86
91-21SYGC/S530-E4/TR7	86
91-21UBC/C430/TR7	86
91-21USRC/S530-A4/TR7	86
93-22SURSUGC/S530-A3/TR8	113
95-21SDRC/S530-A3/TR10	87
95-21SUBC/S400-A5/TR10	87
95-21SUGC/S400-A4/TR7	87
95-21SYGC/S530-E2/TR7	87
95-21USRD/S357/TR7	87
95-21UYC/S530-A5/TR7	87
99-218GUM2C/TR8-T	180
99-616LM2C/TR8-T	179
99-713LM2C/TR8-T	179
99-826LM2C/TR8-T	179
A09KU-NAYAYBDBEB2638Z15-1T0T-AM	163
A09KU-NP56B64DEBFA2638Z15-1T0T-AM	163
A09KU-URD0921DAEB1828Z15-1T0C-AM	163
A1394B/3SUR/S530-A3	133
A1394B/3SYG/S530-E2	133
A1394B/3UY/S530-A3	133
A1394B/3UYO/S530-A3	133
A1479-1B/SURSUGW/S530-A3	135
A1479-1B/SURSUGW/S530-A3	135
A1479-1B/SYUYOW/S530-A3	135
A1479-1B/UYSYGW/S530-A3	135
A1479-1B/UYUYW/S530-A3	135
A1844B/2SYG2SUR/S530-E2	134
A1844B/2SYG2UY/S530-A2	134
A1844B/4SUBW/C470/S400-A6	134
A1844B/4SUR/S530-A3	134
A1844B/4SYG/S530-E2	134
A1844B/4UY/S530-A3	134
A203B/SUR/S530-A3	136
A203B/SYG/S530-E2	136
A203B/UY/S530-A3	136
A214B/SDR/S530-A3	132
A214B/SUBC/C470/S400-A4	132
A214B/SUG/S400-X6	132
A214B/SUR/S530-A3	132
A214B/SYG/S530-E2	132
A214B/USOC/S530-A3	132
A214B/UY/S530-A3	132

ALPHANUMERIC INDEX

VISIBLE LED

A253B/SUR/S530-A3	136	D425SYGWA/S530-E2	139	ELCH07-NB5060J6J8283910-P1S	81
A253B/SYG/S530-E2	136	D425USOWA/S530-A4	139	ELCH07-NB5565J6J8283910-P1S	80
A264B/SDR/S530-A3	132	D426SURWB/S530-A3	140	ELCH08-HB3545J5J7283910-FIS	83
A264B/SUB/S400-A4	132	D426SYGWA/S530-E2	140	ELCH08-KB4050J6J8283910-F1S	82
A264B/SUG/S400-A4	132	D426USOWA/S530-A3	140	ELCH08-NB1924J6J8283910-F1M	80
A264B/SUR/S530-A3	132	D426UYOWB/S530-A3	140	ELCH08-NB5060J7J9283910-F1S	81
A264B/SYG/S530-E2	132	D511SURWB/S530-A3	140	ELCH08-NB5565J7J9283910-F1S	80
A264B/UY/S530-A3	132	D511SYGWB/S530-E2	140	ELCH08NU-NAY1Y1F9J72941Z70-H41M-AM	162
A264B/UYO/S530-A3	132	D512SDRWB/S530-A3	140	ELCH08NU-URD1426F6J32133Z70-V41M-AM	162
A274B/SDR/S530-A3	132	D512SURWB/S530-A3	140	ELCH08OG-NP53A64DJ7K32941Z70-F41H-AM	162
A274B/SUB/S400-X9	132	D512SYGWA/S530-E2	140	ELCU02-5070J6J7294310-N0	85
A274B/SUR/S530-A3	132	D512UBWA/C470	140	ELCU02-5070J6J7294310-N0	85
A274B/SYG/S530-E2	132	D515SURWA/S530-A3	141	ELCU03-NF5060J3J5294110-E1S	85
A274B/UY/S530-A3	132	D516SURWA/S530-A3	141	ELCU03-NF5060J6J8294110-E1S	85
A2774B/SUB/S400-X9	135	D525SURWA/S530-A3	141	ELEM-2025F3F82838Z15-T4BN	80
A2774B/SUR/S530-A3	135	D525SYGWA/S530-E2	141	ELEM-5060F4F92838Z15-T4BN	80
A2774B/SYG/S530-E2	135	D526SURWA/S530-A3	141	ELEM-5070E6F22838Z6-T2W	81
A2774B/UY/S530-A3	135	D526SYGWA/S530-E2	141	ELEM-5070F3F82838Z15-T4W	81
A2774B/UYSYGW/S530-A3	135	D526USOWA/S530-A4	141	ELEM-KB4060E6F22838Z6-T2S	82
A2784B/2SURYSGW/S530-A3	134	EHP-A23/ RGB33-P01/TR	67	ELEM-KB4060F2F272838Z15-T4S	82
A2784B/2SYG/S530-E2	134	EHP-A23/GT21H-P01/4556/Y/K43/TR	66	ELRF-NB5080XXX293910-T1D	84
A2784B/2SYGSDRW/S530-A3	134	EHP-A23/GT21H-P01/5063/Y/K51/TR	66	ELSH1-J31C1-OLPGS-C6500	64
A2784B/SDRSYG/S530-A3	134	EHP-A23/GT21H-P01/5670/Y/K51/TR	66	ELSH-E81B1-OLPNM-CB7B8	65
A694B/2SUB/S400-A6	133	EHP-A23/GT35H-P01/4556/Y/K53/TR	66	ELSH-E91B3-OLPNM-DB6B8*	65
A694B/2SUR/S530-A3	133	EHP-A23/GT35H-P01/4556/Y/K53/TR	67	ELSH-F41Y1-OLPNM-AA3A5	65
A694B/2SYG/S530-E2	133	EHP-A23/GT35H-P01/5063/Y/N11/TR	66	ELSH-F41Y1-OLPNM-AA4A6	65
A694B/2UY/S530-A3	133	EHP-A23/GT35H-P01/5063/Y/N11/TR	67	ELSH-F51O1-OLPNM-AR3R4	65
A694B/SURSYG/S530-A3	133	EHP-A23/GT35H-P01/5063/Y/N12/TR	66	ELSH-F51R1-OLPNM-AR5R6	65
A694B/SYGUY/S530-A3	133	EHP-A23/GT35H-P01/5063/Y/N12/TR	67	ELSH-F61O1-OPPNM-AR3R4	65
A93B/SDR/S530-A3	136	EHP-A23/GT35H-P01/5670/Y/ K53/TR	66	ELSH-F61R1-OPPNM-AR5R6	65
A93B/SUB/S400-A6	136	EHP-A23/GT35H-P01/5670/Y/ K53/TR	67	ELSH-F81G1-0GPNM-CG1G2	65
A93B/SUR/S530-A3	136	EHP-A23/KM35H-P01/2832/Y/K51/TR	66	ELSH-F81G1-0GPNM-CG2G3	65
A93B/SYG/S530-E2	136	EHP-A23/KM35H-P01/2832/Y/K51/TR	67	ELSH-F91M1-OLPGS-C2700	64
A93B/UY/S530-A3	136	EHP-A23/KM35H-P01/30K/K51/TR	67	ELSH-F91M1-OLPGS-C3000	64
ARG2C-WZ-64D53AN1N6DC2-AT-AM	161	EHP-A23/KM35H-P01/30K/K51/TR	67	ELSH-F91M1-OLPGS-C3500	64
ARG2M-WZ-64D53AN1N6DC2-AC-AM	161	EHP-A23/KT35H-P01/5063/Y/K53/TR	66	ELSH-F91R3-OLPNM-BR4R6	65
ARG3C-WZ-64D53AN5P2CC2-AT-AM	161	EHP-A23/KT35H-P01/5063/Y/K53/TR	67	ELSH-F91Y3-OLPNM-BA3A5	65
ARG3M-WZ-64D53AN5P2CC2-AC-AM	161	EHP-A23/LM21H-P01/2832/Y/K42/TR	66	ELSH-J11G3-OLPNM-DG1G3*	65
ARG4C-WZ-64D53AP2P5BC2-AT-AM	161	EHP-A23/LM21H-P01/3035/Y/K42/TR	66	ELSH-J11N1-OLPGS-C4000	64
ARG4M-WZ-64D53AP2P5BC2-AC-AM	161	EHP-A23/LM21H-P01/3238/Y/K42/TR	66	ELSH-J11N1-OLPGS-C4500	64
ARG5C-WZ-64D53AP3P7AC2-TC-AM	161	EHP-A23/LM21H-P01/3845/Y/K43/TR	66	ELSH-J21M3-OLPGS-D2700	64
ARG5M-WZ-64D53AP3P7AC2-AC-AM	161	EHP-A23/LM35H-P01/2832/Y/ K52/TR	66	ELSH-J21M3-OLPGS-D3000	64
B1001SDRWB/S530-A3	153	EHP-A23/LM35H-P01/2832/Y/ K52/TR	67	ELSH-J21M3-OLPGS-D3500	64
B1001SURWB/S530-A3	153	EHP-A23/LM35H-P01/3035/Y/ K52/TR	66	ELSH-J31C1-OLPGS-C5000	64
B1001SYGWA/S530-E2	153	EHP-A23/LM35H-P01/3035/Y/ K52/TR	67	ELSH-J31C1-OLPGS-C5700	64
B1001USOWA/S530-A4	153	EHP-A23/LM35H-P01/3238/Y/ K52/TR	66	ELSH-J31N3-OLPGS-D4000	64
B1010SURD/S530-A3	153	EHP-A23/LM35H-P01/3238/Y/ K52/TR	67	ELSH-J41N3-OLPGS-D4500	64
B1010SUUD/S530-A3	153	EHP-A23/LM35H-P01/3845/Y/K52/TR	66	ELSH-J51C3-OLPGS-D5000	64
B1010SYGD/S530-E3	153	EHP-A23/LM35H-P01/3845/Y/K52/TR	67	ELSH-J61C3-OLPGS-D5700	64
CHI2024-KHAH4NG-24609-3GOT	54	EHP-A23/SUG01H-P01/G1G2/K31/TR	66	ELSH-J61C3-OLPGS-D6500	64
CHI3030- KHAH4S2-27L29-3QOT	54	EHP-A23/UB01H-P01/B7B8/F3/TR	66	ELSH-Q61F1-OLPNM-JF3F8	65
CHI3030-KHAH4P7-27E19-3KOT	54	ELAT07-KB4050J5J7293910-F1S	83	ELSH-Q91E1-OLPNM-JD3D8	65
D305SDRWB/S530-A3	139	ELAT07-NB1924J4J6293910-F1M	83	ELSH-Q91L1-OLPNM-CB4B6	65
D305SURWA/S530-A3	139	ELAT07-NB5060J6J7293910-F1S	83	ELSWD-F81M1-1LPHC-C2700	58
D305SYGWA/S530-E2	139	ELCH03-KB4050F6F8284103-N1S	82	ELSWD-F81M1-1LPHC-C2700	58
D306SURWA/S530-A3	139	ELCH04-NF5070F9J3294105-N1S	81	ELSWD-F91M1-1LPHC-C3000	58
D306SYGWA/S530-E2	139	ELCH05-NB1924J3J6294310-N1S	80	ELSWD-F91M1-1LPHC-C3000	58
D306USOWA/S530-A3	139	ELCH05-NB5060J4J6294310-N1S	80	ELSWD-F91M1-1LPHC-C3500	58
D425SDRWA/S530-A4	139	ELCH05-NB5065J4J6294310-N1S	81	ELSWD-F91M1-1LPHC-C3500	58
D425SURWA/S530-A3	139	ELCH07-NB1924J5J7283910-P1M	80	ELSWD-J11N1-1LPGC-C4000	58

ELSWD-J11N1-1LPGC-C4000	58	ELSWF-J41C1-0FPHS-C6500	60	ELSWN-JE1C1-5VPHS-C5700	59
ELSWD-J11N1-1LPHC-C4000	58	ELSWF-J41C1-0FPHS-C6500	61	ELSWN-JE1N1-5VPGS-C4000	59
ELSWD-J11N1-1LPHC-C4000	58	ELSWF-J41M1-0FPHS-C3000	62	ELSWN-JE1N1-5VPGS-C4000	59
ELSWD-J11N1-1LPHC-C4500	58	ELSWF-J41M1-0FPHS-C3000	62	ELSWN-JE1N1-5VPGS-C4500	59
ELSWD-J11N1-1LPHC-C4500	58	ELSWF-J41M1-0FPHS-C3000	63	ELSWN-JE1N1-5VPGS-C4500	59
ELSWD-J21C1-1LPGC-C5000	58	ELSWF-J41M1-0FPHS-C3500	62	ELSWN-JF1C1-5VPGS-C5000	59
ELSWD-J21C1-1LPGC-C5000	58	ELSWF-J41M1-0FPHS-C3500	62	ELSWN-JF1C1-5VPGS-C5000	59
ELSWD-J21C1-1LPHC-C5700	58	ELSWF-J41M1-0FPHS-C3500	63	ELSWN-JF1C1-5VPGS-C5700	59
ELSWD-J21C1-1LPHC-C5700	58	ELSWF-J41N1-0FPGS-C4000	60	ELSWN-JF1C1-5VPGS-C5700	59
ELSWD-J21N1-1LPGC-C4500	58	ELSWF-J41N1-0FPGS-C4000	60	ELSWN-JF1C1-5VPGS-C6500	59
ELSWD-J21N1-1LPGC-C4500	58	ELSWF-J41N1-0FPGS-C4000	61	ELSWN-JF1C1-5VPGS-C6500	59
ELSWD-J31C1-1LPGC-C5700	58	ELSWF-J51C1-0FPGS-C5000	60	ELSW-Q61F1-0LPNM-AF3F8*	56
ELSWD-J31C1-1LPGC-C5700	58	ELSWF-J51C1-0FPGS-C5000	60	ELSW-Q81F1-0LPNM-HF3F8*	56
ELSWD-J31C1-1LPGC-C6500	58	ELSWF-J51C1-0FPGS-C5000	61	ELSW-Q81F3-0LPNM-BF5F7*	57
ELSWD-J31C1-1LPGC-C6500	58	ELSWF-J51C1-0FPGS-C5700	60	ELSW-Q91E1-0LPNM-AD3D8*	56
ELSW-E71B1-0LPNM-CB7B8*	56	ELSWF-J51C1-0FPGS-C5700	60	ELSW-Q91L1-0LPNM-CB4B6	56
ELSW-E81B1-0LPNM-CB7B8*	56	ELSWF-J51C1-0FPGS-C5700	61	ELSW-R11E1-0LPNM-AD3D8*	56
ELSW-E81B3-0LPNM-DB6B8*	57	ELSWF-J51C1-0FPGS-C6500	60	ELSW-R31E3-0LPNM-BD4D7*	57
ELSW-E81B3-0LPNM-DB8BA*	57	ELSWF-J51C1-0FPGS-C6500	60	ELSW-R31L1-0LPNM-CB4B6	56
ELSW-E91B1-0LPNM-CB7B8*	56	ELSWF-J51C1-0FPGS-C6500	61	ELSW-R41V3-0LPNM-DVAB1*	57
ELSW-E91B3-0LPNM-DB6B8*	57	ELSWF-J51N1-0FPHS-C4000	62	ELYU03-5060J5J7294310-N0	85
ELSW-F11B1-0LPNM-CB8B9*	56	ELSWF-J51N1-0FPHS-C4000	62	ELYU03-5070J5J7294310-N0	85
ELSW-F21B1-0LPNM-CBABB*	56	ELSWF-J51N1-0FPHS-C4000	63	F415SURWA/S530-A3	143
ELSW-F41Y1-0LPNM-AA3A5	56	ELSWF-J61C1-5FPHS-C5000	62	F415SURWB/S530-A3	143
ELSW-F51O1-0LPNM-AR3R4	56	ELSWF-J61C1-5FPHS-C5000	62	F416SURWA/S530-A3	144
ELSW-F51R1-0LPNM-AR5R6*	56	ELSWF-J61C1-5FPHS-C5000	63	F416SURWB/S530-A3	144
ELSW-F51Y1-0LPNM-AA3A5	56	ELSWF-J61C1-5FPHS-C5700	62	F416SYGWA/S530-E3	144
ELSW-F61O1-0PPNM-AR3R4	56	ELSWF-J61C1-5FPHS-C5700	62	F416USRWA/S530-A3	144
ELSW-F61R1-0PPNM-AR5R6*	56	ELSWF-J61C1-5FPHS-C5700	63	F511SURWA/S530-A3	144
ELSW-F61Y1-0LPNM-AA3A5	56	ELSWF-J61C1-5FPHS-C6500	62	F511SURWB/S530-A3	144
ELSW-F71G1-0LPNM-CG1G2	56	ELSWF-J61C1-5FPHS-C6500	62	F511SYGWA/S530-E2	144
ELSW-F71G1-0LPNM-CG2G3	56	ELSWF-J61C1-5FPHS-C6500	63	F512SDRWB/S530-A3	144
ELSW-F71O1-0PPNM-AR3R4	56	ELSWF-J61N1-0FPGS-C4000	62	F512SURWA/S530-A3	144
ELSW-F71R1-0PPNM-AR5R6*	56	ELSWF-J61N1-0FPGS-C4000	62	F512SYGWA/S530-E2	144
ELSW-F81G1-0GPNM-CG1G2*	56	ELSWF-J61N1-0FPGS-C4000	63	HN0325	156
ELSW-F81R3-0LPNM-BR4R6	57	ELSWF-JH1C1-5FPGS-C5000	62	HN0507	155
ELSW-F81Y3-0LPNM-BA3A5	57	ELSWF-JH1C1-5FPGS-C5000	62	HNB353	156
ELSW-F91G1-0LPNM-CG1G2*	56	ELSWF-JH1C1-5FPGS-C5000	63	JU1215-GT507K7-09804-450T	47
ELSW-F91G3-0LPNM-DG1G3	57	ELSWF-JH1C1-5FPGS-C5700	62	JU1215-GT577K7-09804-450T	47
ELSW-F91R3-0LPNM-BR4R6	57	ELSWF-JH1C1-5FPGS-C5700	62	JU1215-GT657K7-09804-450T	47
ELSW-F91Y3-0LPNM-BA3A5	57	ELSWF-JH1C1-5FPGS-C5700	63	JU1215-KM273N9-18407-390T	48
ELSWF-J21M1-0FPHS-C2700	60	ELSWF-JH1C1-5FPGS-C6500	62	JU1215-KM273P4-18812-090T	49
ELSWF-J21M1-0FPHS-C2700	60	ELSWF-JH1C1-5FPGS-C6500	62	JU1215-KM277K5-09804-450T	47
ELSWF-J21M1-0FPHS-C2700	61	ELSWF-JH1C1-5FPGS-C6500	63	JU1215-KM277P1-18610-0A0T	49
ELSWF-J21M1-0FPHS-C2700	62	ELSW-J11G3-0LPNM-DG1G3	57	JU1215-KM277P2-36412-390T	50
ELSWF-J21M1-0FPHS-C2700	62	ELSW-J11O3-0LPNM-BA5R2*	57	JU1215-KM303N9-18407-390T	48
ELSWF-J21M1-0FPHS-C2700	63	ELSW-J11R3-0LPNM-BR4R6*	57	JU1215-KM303P5-18812-090T	49
ELSWF-J21M1-0FPHS-C3000	60	ELSWN-JB1M1-5VPHS-C2700	59	JU1215-KM307K5-09804-450T	47
ELSWF-J21M1-0FPHS-C3000	60	ELSWN-JB1M1-5VPHS-C2700	59	JU1215-KM307P2-18610-0A0T	49
ELSWF-J21M1-0FPHS-C3000	61	ELSWN-JB1M1-5VPHS-C3000	59	JU1215-KM307P3-36412-390T	50
ELSWF-J31N1-0FPHS-C4000	60	ELSWN-JB1M1-5VPHS-C3000	59	JU1215-KM403N9-18407-390T	48
ELSWF-J31N1-0FPHS-C4000	60	ELSWN-JB1M1-5VPHS-C3500	59	JU1215-KM403P6-18812-090T	49
ELSWF-J31N1-0FPHS-C4000	61	ELSWN-JB1M1-5VPHS-C3500	59	JU1215-KM407K5-09804-450T	47
ELSWF-J41C1-0FPHS-C5000	60	ELSWN-JC1N1-5VPHS-C4000	59	JU1215-KM407P2-18610-0A0T	49
ELSWF-J41C1-0FPHS-C5000	60	ELSWN-JC1N1-5VPHS-C4000	59	JU1215-KM407P3-36412-390T	50
ELSWF-J41C1-0FPHS-C5000	61	ELSWN-JC1N1-5VPHS-C4500	59	JU1215-KT505P7-18812-090T	49
ELSWF-J41C1-0FPHS-C5700	60	ELSWN-JC1N1-5VPHS-C4500	59	JU1215-KT507K7-09804-450T	47
ELSWF-J41C1-0FPHS-C5700	60	ELSWN-JE1C1-5VPHS-C5000	59	JU1215-KT507P3-18610-0A0T	49
ELSWF-J41C1-0FPHS-C5700	61	ELSWN-JE1C1-5VPHS-C5000	59	JU1215-KT507P4-36412-390T	50
ELSWF-J41C1-0FPHS-C6500	60	ELSWN-JE1C1-5VPHS-C5700	59	JU1215-KT575P8-18812-090T	49

ALPHANUMERIC INDEX

VISIBLE LED

JU1215-KT577K7-09804-450T	47	M2881UYWA/S530-A3	152	SS511SURWA/S530-A3/S290	146
JU1215-KT577P3-18610-0A0T	49	M2882SURWA/S530-A3	152	SS511SYGWA/S530-E2/S290	146
JU1215-KT577P4-36412-390T	50	M2882SYGWA/S530-E2	152	SS511UBWA/C470	146
JU1215-KT655P8-18812-090T	49	S1006SDRDB/A3/S660	138	SS512SURWA/S530-A3/S290	147
JU1215-KT657K7-09804-450T	47	S1006SURWA/S530-A3	138	SS512SYGWA/S530-E2	147
JU1215-KT657P3-18610-0A0T	49	S1006SYGWA/S530-E2	138	SS512UBWA/C470/S290	147
JU1215-PM273N3-36105-460T	47	S2325SURDA/S530-A3	138	SS512UYWA/S530-A2/S290	147
JU1215-PM273N9-36209-460T	48	S2325SURWA/S530-A3	138	ST405SUGWA/S530-A4/S290	149
JU1215-PM273P1-36412-390T	50	S2326SURWA/S530-A3	138	ST405SURWA/S530-A3/S290	149
JU1215-PM277N5-18407-390T	48	S2326SYGWA/S530-E2	138	ST405SYGWA/S530-E2	149
JU1215-PM303N4-36105-460T	47	S2326UBWA/C470	138	ST405UYOWA/S530-A3/S290	149
JU1215-PM303P1-36209-460T	48	S2326USOWA/S530-A4	138	ST406SURWA/S530-A3/S290	149
JU1215-PM303P2-36412-390T	50	S3030FUMRGC/F155190VVM9BO-T	178	ST406SYGWA/S530-E2	149
JU1215-PM307N6-18407-390T	48	S315SURWA/S530-A3	137	ST505SYGWA/S530-E2/S290	149
JU1215-PM403N5-36105-460T	47	S315SYGWA/S530-E2	137	ST511SYGWA/S530-E2/S290	150
JU1215-PM403P2-36209-460T	48	S316SURWB/S530-E2	137	ST512SURWA/S530-A3/S290	150
JU1215-PM403P2-36412-390T	50	S316SYGWA/S530-A3	137	ST512SYGWA/S530-E2/S290	150
JU1215-PT505P3-36412-390T	50	S321SURWA/S530-A3	137	ST512UBWA/C470/S290	150
JU1215-PT575P3-36412-390T	50	S321SYGWA/S530-E2	137	T315SDRWA/S530-A3	142
JU1215-PT655P3-36412-390T	50	S321USOWA/S530-A4	137	T315SURWA/S530-A2	142
JU2024-KM277M4-48A50-3G0T	52	S322SURWA/S530-A3	137	T315SYGWA/S530-E2	142
JU2024-KM277P5-30515-0G0T	51	S322SYGWA/S530-E2	137	T315UYOWA/S530-A3	142
JU2024-KM277S2-36725-3G0T	51	S322UBWA/C470	137	T316SDRWA/S530-A3	142
JU2024-KM277S7-36A35-3G0T	52	S322USOWA/S530-A4	137	T316SURWA/S530-A3	142
JU2024-KM307M5-48A50-3G0T	52	SD405SURWA/S530-A3/S290	147	T316SYGWA/S530-E2	142
JU2024-KM307P6-30515-0G0T	51	SD405SYGWA/S530-E2	147	T511SUGWB/S400-A4/S800	142
JU2024-KM307S3-36725-3G0T	51	SD406SURWA/S530-A4/S290	147	T511SURWA/S530-A3	142
JU2024-KM307S8-36A35-3G0T	52	SD406SYGWA/S530-E2/S290	147	T511SYGWA/S530-E2	142
JU2024-KM357P6-30515-0G0T	51	SD506SURWA/S530-A4/S290	148	T511UYOWA/S530-A3	142
JU2024-KM407M6-48A50-3G0T	52	SD511SYGWA/S530-E2/S290	148	T512SURWA/S530-A3	143
JU2024-KM407P6-30515-0G0T	51	SD512SYGWA/S530-E2/S290	148	T512SURWB/S530-A3	143
JU2024-KM407S4-36725-3G0T	51	SF405SURWA/S530-A3/S290	151	T512SYGWA/S530-E2	143
JU2024-KM407S9-36A35-3G0T	52	SF405SYGWA/S530-E2/S290	151	T512SYGWB/S530-E2	143
JU2024-KM457P7-30515-0G0T	51	SF405UYOWA/A3/S290	151	T512USOWA/S530-A4	143
JU2024-KT507M1-36A35-3G0T	52	SF511SURWA/S530-A3/S290	151	T512UYOWA/S530-A3	143
JU2024-KT507M7-48A50-3G0T	52	SF511SYGWA/S530-E2/S796	151	XI2016/KK1C-H2727PBR358661Z6/2N	69
JU2024-KT507P7-30515-0G0T	51	SF512SURWA/S530-A3/S290	151	XI2016/KK1C-H3030QAR358661Z6/2N	69
JU2024-KT507S5-36725-3G0T	51	SF512SYGWA/S530-E2/S290	151	XI2016/KK1C-H3535QAR358661Z6/2N	69
JU2024-KT577M1-36A35-3G0T	52	SS205SURWA/S530-A4/S290	145	XI2016/KK1C-H4040QAR358661Z6/2N	69
JU2024-KT577M7-48A50-3G0T	52	SS205SYGWA/S530-E2/S290	145	XI2016/KK1C-H5050QAR458661Z6/2N	69
JU2024-KT577P7-30515-0G0T	51	SS205UYOWA/S530-A3/S290	145	XI2016/KK1C-H5757QAR458661Z6/2N	69
JU2024-KT577S5-36725-3G0T	51	SS206SURWA/S530-A3/S290	145	XI2016/KK1C-H6565QAR458661Z6/2N	69
JU2024-KT657M1-36A35-3G0T	52	SS206SYGWA/S530-E2/S290	145	XI2323/KK1C-H2727P4R327381Z15/2N	70
JU2024-KT657P7-30515-0G0T	51	SS206SURWA/S530-A3/S290	145	XI2323/KK1C-H3030Q3R427381Z15/2N	70
JU2024-KT657S5-36725-3G0T	51	SS206UYWA/S530-A3/S290	145	XI2323/KK1C-H4040Q3R427381Z15/2N	70
JU3030-KM276P1-A1109-0G0T	53	SS405SURWB/S530-A3/S290	145	XI2323/KK1C-H5050R1R527381Z15/2N	70
JU3030-KM276P5-A2113-0G0T	53	SS405SYGWA/S530-E2	145	XI2323/KK1C-H5757R1R527381Z15/2N	70
JU3030-KM306P1-A1109-0G0T	53	SS405UBWA/C470/S290	145	XI2323/KK1C-H6565R1R527381Z15/2N	70
JU3030-KM306P5-A2113-0G0T	53	SS406SURWA/S530-A4/S290	146	XI2323/KK3C-H2727M3N4B63Z6/2T	70
JU3030-KM406P2-A1109-0G0T	53	SS406SYGWA/S530-E2	146	XI2323/KK3C-H4040M3P3B63Z6/2T	70
JU3030-KM406P6-A2113-0G0T	53	SS406UBWA/C470/S290	146	XI2323/KK3C-H5050M4P3B63Z6/2T	70
JU3030-KT506P2-A1109-0G0T	53	SS406SURWA/S530-A3/S290	146	XI2323/KK3C-H5757M4P3B63Z6/2T	70
JU3030-KT506P6-A2113-0G0T	53	SS406UWVA/S290	146	XI2323/KK3C-H6565M4P3B63Z6/2T	70
JU3030-KT576P2-A1109-0G0T	53	SS406UYOWA/S530-A3/S290	146	XI3030/HK4C-H2727R8S458661Z15/2N	71
JU3030-KT576P6-A2113-0G0T	53	SS406UYWA/S530-A2/S290	146	XI3030/HK4C-H2727R8S458661Z15/2N	71
JU3030-KT656P2-A1109-0G0T	53	SS506SURWA/S530-A4/S290	146	XI3030/KK3C-H2727S2S64305101Z2/2N	71
JU3030-KT656P6-A2113-0G0T	53	SS506SYGWA/S530-E2	146	XI3030/KK3C-H3030S2S64305101Z2/2N	71
M2881SURWA/S530-A3	152	SS506USOWA/S530-A3/S290	146	XI3030/KK4C-H2727S3S758701Z15/2N	71
M2881SYGWA/S530-E2	152	SS506UYOWA/S530-A3/S290	146	XI3030/KK4C-H3030S3S758701Z15/2N	71

ALPHANUMERIC INDEX

INFRARED LED, SENSORS, COUPLERS

EL060L	258	EL3041	276	ELD207	271
EL0611	258	EL3041(P5)	275	ELD211	271
EL0630	258	EL3042	276	ELD213	271
EL0631	258	EL3042(P5)	275	ELD217	271
EL0700	259	EL3043	276	ELD3H7	271
EL0701	259	EL3043(P5)	275	ELM3022	273
EL1010-G	267	EL3051	276	ELM3023	273
EL1012-G	267	EL3051(P5)	275	ELM3024	273
EL1013-G	267	EL3052	276	ELM3042	273
EL1014-G	267	EL3052(P5)	275	ELM3043	273
EL1017-G	267	EL3053	276	ELM3044	273
EL1018-G	267	EL3053(P5)	275	ELM3052	273
EL1019-G	267	EL3061	276	ELM3053	273
EL1110-G	268	EL3061(P5)	275	ELM3054	273
EL1112-G	268	EL3062	276	ELM3062	273
EL1113-G	268	EL3062(P5)	275	ELM3063	273
EL1114-G	268	EL3063	276	ELM3064	273
EL1116-G	268	EL3063(P5)	275	ELM3082	273
EL1117-G	268	EL3081	276	ELM3083	273
EL1118-G	268	EL3081(P5)	275	ELM3084	273
EL1119-G	268	EL3082	276	ELM452	257
EL121N	266	EL3082(P5)	275	ELM453	257
EL205	270	EL3083	276	ELM453L	257
EL206	270	EL3083(P5)	275	ELM600	257
EL207	270	EL354N-G	265	ELM601	257
EL208	270	EL357L	268	ELM611	257
EL211	270	EL357L(A)	268	ELQ3H4	272
EL212	270	EL357L(B)	268	ELQ3H7	272
EL213	270	EL357L(C)	268	ELT3021	274
EL215	270	EL357N-G	266	ELT3022	274
EL216	270	EL3H4-G	266	ELT3023	274
EL217	270	EL3H7-G	267	ELT3041	274
EL2200	259	EL406A	277	ELT3042	274
EL2201	259	EL425A	277	ELT3043	274
EL2202	259	EL440A	277	ELT3051	274
EL2530	260	EL4502	260	ELT3052	274
EL2531	260	EL4503	260	ELT3053	274
EL2601	260	EL4504	260	ELT3061	274
EL260L	260	EL452-G	255	ELT3062	274
EL2611	260	EL460A	277	ELT3063	274
EL2630	260	EL606A	277	ELT3081	274
EL2631	260	EL617	263	ELT3082	274
EL3010	276	EL625A	277	ELT3083	274
EL3010(P5)	275	EL640A	277	ELW135	261
EL3011	276	EL660A	277	ELW136	261
EL3011(P5)	275	EL814	263	ELW137	262
EL3012	276	EL815	255	ELW2601	262
EL3012(P5)	275	EL816	263	ELW2611	262
EL3021	276	EL817	263	ELW4503	261
EL3021(P5)	275	EL8171	264	H11A1	269
EL3022	276	EL817-G	263	H11A2	269
EL3022(P5)	275	EL825	256	H11A3	269
EL3023	276	EL827	270	H11A4	269
EL3023(P5)	275	EL840A	278	H11A5	269
EL3031	276	EL847	272	H11AA1	270
EL3031(P5)	275	EL851	263	H11AA2	270
EL3032	276	EL852	255	H11AA3	270
EL3032(P5)	275	EL860A	278	H11AA4	270
EL3033	276	ELD205	271	H11B1	256
EL3033(P5)	275	ELD206	271	H11B2	256

INFRARED LED, SENSORS, COUPLERS

H11B255	256	IR323/H0-A	185	IRM-6640M2	217
H11B3	256	IR333/H0	185	IRM-8601M2	217
H11L1	262	IR333/H0/L10	185	IRM-8601M2-M	217
H11L2	262	IR333-A	185	IRM-8602M2	218
H11L3	262	IR333C	185	IRM-8602M2-2	218
HIR11-21C/L11/TR8	191	IR333C/H0/L10	185	IRM-8608M2	218
HIR12-21C/TR8	191	IR333C/H2	185	IRM-8751M2	219
HIR17-21C/L289/TR8	192	IR383	185	IRM-8752M2	219
HIR19-21C/L289/TR8	192	IR42-21C/TR8	195	IRM-8752M2-2	219
HIR204	184	IR533C	186	IRM-8755M2	219
HIR204/H0	184	IR5443-14C/L527	188	IRM-8838M3	221
HIR204C	184	IR67-21C/TR8	195	IRM-H236M3/TR2	222
HIR204C/H0	184	IR7373C	186	IRM-H236T/TR2	222
HIR234C	184	IR7393C	186	IRM-H238M3/TR2	222
HIR25-21C/L423/TR8	193	IR8353-14C	187	IRM-H238T/TR2	222
HIR26-21B/L423/CT	193	IR8394-20C	188	IRM-H240C/TR2	222
HIR30-01C/S16	189	IR89-01C/L447/1R	196	IRM-H240M2/TR2	222
HIR323C	185	IR908-7C-F	190	IRM-H336M3/TR2	222
HIR323C/H0	185	IR91-21C	196	IRM-H338M3/TR2	222
HIR333/H0	185	IR91-21C/TR10	196	IRM-H538M/TR2	215
HIR333C/H0	185	IR91-21C/TR7	196	IRM-H538M3	223
HIR36-01C/S32	189	IR928-6C-F	190	IRM-H538T/TR2	223
HIR38-01C	189	IR95-21C/TR7	197	IRM-H600JW	225
HIR383C/L289	185	IR968-8C	190	IRM-H620J5/TR2	225
HIR42-21C/L290/TR8	195	IR-C19D-N90/L562-P03/TR	198	IRM-H636M/TR2	215
HIR67-21C/L11/TR8	195	IR-C19-N/L482-P01/TR	198	IRM-H636M3/TR2	224
HIR67-21C/L289/TR8	195	IRM-3600W	225	IRM-H636T/TR2	224
HIR7323C/L599	187	IRM-3636M(A)	214	IRM-H638M3/TR2	224
HIR7373B/L289	186	IRM-3636M3(A)	216	IRM-H638T/TR2	224
HIR7373C	186	IRM-3636M-X(B)	214	IRM-H656T/TR2	224
HIR7393B/L289	186	IRM-3636T(A)	216	IRM-H836M3/TR2	223
HIR7393C	186	IRM-3636T-X(B)	216	IRM-H838M/TR2	215
HIR83-01B/TR8	195	IRM-3638C(A)	216	IRM-H838M3/TR2	223
HIR8323/C16	187	IRM-3638C-X(B)	216	IRM-H920J5/TR2	225
HIR89-01C/1R	196	IRM-3638M(A)	214	IRM-H936M3/TR2	221
HIR91-01C/L297/2T	197	IRM-3638M2(A)	216	IRM-H938M3/TR2	221
HIR-C19D/L298-P01/TR	198	IRM-3638M2-X(B)	216	IRM-H938T/TR2	221
HIR-C19D-1N90/L558-P03/TR	198	IRM-3638M3(A)	216	IRM-V536M/TR1	214
IR11-21C/L302/TR8	191	IRM-3638M3-X(B)	216	IRM-V536M3/TR1	221
IR11-21C/TR8	191	IRM-3638M-X(B)	214	IRM-V538M/TR1	214
IR12-206C/L268/TR8	196	IRM-3638T(A)	216	IRM-V538M3/TR1	221
IR12-21C/TR8	191	IRM-3638T-X(B)	216	IRM-V538T/TR1	221
IR15-21C/TR8	191	IRM-3640C(A)	216	IRM-V540C/TR1	221
IR17-21C/TR8	192	IRM-3640M2(A)	216	IRM-V540M2/TR1	221
IR19-21C/TR8	192	IRM-3640T(A)	216	IRM-V836M3/TR1	223
IR19-315C/TR8	192	IRM-3640T-X(B)	216	IRM-V838C/TR1	223
IR204/H16/L10	184	IRM-3656M(A)	214	IRM-V838M3/TR1	223
IR204/H60	184	IRM-3656M3(A)	216	IRM-V840C/TR1	223
IR204-A	184	IRM-3656M3-X(B)	216	IRR60-48C/TR8	197
IR204C/H16/L10	184	IRM-3656M-X(B)	214	ITR1201SR10AR/TR	245
IR204C-A	184	IRM-3656T(A)	216	ITR1203DT50A/TB	249
IR25-21C/TR8	193	IRM-3736M	214	ITR1205ST11A/TR	249
IR26-21C/L110/TR8	193	IRM-3738M	214	ITR1301SR10A	244
IR26-51C/L110/TR8	193	IRM-3738M3	220	ITR1502SR40A/TR8	244
IR26-61C/L302/TR8	194	IRM-3738T	220	ITR1503ST12A	249
IR26-61C/L447/TR8	194	IRM-3756M	214	ITR1504SR10A/TR	244
IR26-71C/L302/TR8	194	IRM-3756M3	220	ITR20001/T	247
IR26-71C/L447/S63/TR8	194	IRM-6636M3	217	ITR20002	247
IR26-91C/L510/2D	198	IRM-6638M3	217	ITR20005-F	254
IR323	185	IRM-6638T	217	ITR20402	254

ALPHANUMERIC INDEX

INFRARED LED, SENSORS, COUPLERS

ITR20403	254	PLR253	228	SIR204-A	184
ITR20501	248	PLR262	228	SIR204C	184
ITR20510/TR8	248	PLT132	230	SIR234	184
ITR8010	250	PLT133	231	SIR323-5	185
ITR8102	250	PLT133/T	233	SIR333-A	185
ITR8104	250	PLT133/T1	233	SIR383C	185
ITR8105	251	PLT133/T10W	234	SIR67-21C/TR8	195
ITR8307	245	PLT133/T2	233	TIL111	269
ITR8307/F43	245	PLT133/T8B	234	TIL113	256
ITR8307/L24	245	PLT133/T9	234	TIL117	269
ITR8307/L24/F43	245	PLT137	231		
ITR8307/L24/TR8	246	PLT232/L5	232		
ITR8307/TR8	246	PLT237	231		
ITR8402-F-A	251	PLT262	231		
ITR9606-F	251	PLT262M	232		
ITR9608-F	252	PLT272/L5	232		
ITR9702-F	252	PM-8D23-20-DF8/TR8	241		
ITR9707	252	PT11-21C/L41/TR8	210		
ITR9809-F/T	253	PT12-21B/TR8	210		
ITR9813	253	PT12-21C/TR8	210		
ITR9904	246	PT1504-6B	208		
ITR9908	246	PT15-21B/TR8	210		
ITR9909	247	PT15-21C/TR8	210		
MCT2E	269	PT17-21B/L41/TR8	211		
PD12-206B/L512/TR8	202	PT17-21C/L41/TR8	211		
PD12-21B/L458/TR8	202	PT19-21B/L41/TR8	211		
PD15-21B/TR8	202	PT19-21C/L41/TR8	211		
PD15-22C/TR8	203	PT204-6B	206		
PD204-6B	199	PT204-6C	206		
PD204-6C/L3	199	PT2559B/L2/H2-F	209		
PD26-91B/L458/2C	205	PT2559B/L2-F	209		
PD333-3B/H0/L2	200	PT26-21B/TR8	211		
PD333-3C/H0/L2	199	PT26-21C/TR8	211		
PD42-21B/TR8	203	PT26-51B/TR8	212		
PD42-21C/TR8	203	PT26-71B/TR8	212		
PD438B	201	PT333-3B	207		
PD438B/L1	201	PT333-3C	206		
PD438B/S46	201	PT334-6B	207		
PD438C	201	PT334-6C	207		
PD438C/S46	201	PT42-21B/TR8	212		
PD5443-3B/L2	200	PT534-6B	208		
PD60-48C/TR8	204	PT5529B/L2/H2-F	209		
PD638B	201	PT5529B/L2-F	209		
PD70-01B/TR10	204	PT67-21B/C14/TR8	212		
PD70-01B/TR7	203	PT67-21C/L41/TR8	213		
PD70-01C/TR10	204	PT908-7B-F	208		
PD70-01C/TR7	203	PT908-7C-F	208		
PD95-21B/TR10	204	PT91-21B	213		
PLR135	226	PT91-21B/TR10	213		
PLR135/T	229	PT91-21B/TR7	213		
PLR135/T1	229	PT91-21B/TR9	213		
PLR135/T2	229	PT91-21C	213		
PLR135/T8	230	PT91-21C/TR10	213		
PLR135/T9	230	PT91-21C/TR7	213		
PLR137	226	PT928-6B-F	209		
PLR155	226	PT928-6C-F	209		
PLR162	227	PT968-8C	209		
PLR162M	227	SIR12-21C/TR8	191		
PLR233	226	SIR19-21C/TR8	192		
PLR237	226	SIR19-315/TR8	192		

CONDITIONS OF RoHS

From July 1st, 2006, RoHS requires that all electrical equipment should not contain lead, mercury, cadmium, hexavalent chromium, polybrominated biphenyls (PBBs) or poly brominated diphenyl ethers (PBDEs), and the elements are restricted to certain amount (such as mercury in a wound lighting tube <5 mg, lead in CRT glass, soldering tin, etc.). Before the date every member of European Union must obey of environment on chemical regulation.



- According to RoHS part, the norm of restrict and limit used substance adopted by EVERLIGHT.

Name	Description	Criteria
Cadmium	Cadmium and its compounds must not be present in parts, components, materials or products. Cadmium and its compounds must not used as stabilizers, coloring agent or as a surface coating treatment in parts, components, materials or products.	< 5 ppm (Plastics) < 75 ppm (Metals)
Lead restrictions	Lead and/or lead compounds shall not be present in hardware components or parts, however, except solder, electrical components and interconnect materials. Lead carbonates and sulfates must not be used in any paint applied to parts, component, or products.	< 100 ppm (Plastics) < 1000 ppm (Others)
Mercury restrictions	Mercury must not be contained in any part, material, components or product, including, but not limited to switches, relays or electrical contacts. This restriction does not apply to lamps with less than 10 mg if mercury.	< 5 ppm
Hexavalent chromium (chromium VI) and hexavalent chromium compounds	Hexavalent chromium (chromium VI) and hexavalent chromium compounds must not be present in parts, components, materials or products.	< 2 ppm
Polybrominated Biphenyls (PBBs)	Plastics parts, components, materials and products must not contain Polybrominated Biphenyls as flame retardants, specific PBBs, but are not limited to those listed in attachment item.	< 5 ppm
Polybrominated Diphenyl Ethers (PBDEs)	Plastic parts, components, materials and products must not contain Polybrominated Diphenyl Ethers, known as flame retardants, specific PBBEs, including, but are not limited to, those listed in attachment item.	< 5 ppm

Compliant with the following condition :

- Please visit EVERLIGHT website for more updated information about third party test reports and RoHS declarations.
(www.everlight.com)

APPLICATION NOTICE

Since we are continuously improving all of our products, the information listed in this Catalogue, which includes specifications, characteristics, data, materials used, structure, etc., are subject to change without prior notice. It is necessary that you request the newest specification sheet from EVERLIGHT when you place any inquiry or purchase order.

Please carefully read the specification sheet, and confirm your acceptance of the content. EVERLIGHT does not accept any liabilities for damages occurred due to the customer's lack of confirming the newest product specification.

It is important to strictly follow the maximum limit and other important instructions listed on the specifications sheet when using EVERLIGHT's products. The following is a list of special notes for products used in specific applications. It is recommended that customers read the instructions carefully before installing the products. Again, EVERLIGHT does not accept any liabilities for any improper use of EVERLIGHT's product or failure to follow the instructions listed herein:

Special Instruction:

1. Products listed in this Catalogue are designed primarily for the application listed below:
A : Calculators
B : Measurement equipment
C : AV machines
D : QA machines
E : Operating machines
F : Consumer electronics
G : Telecommunications

While products meet the application listed above, additional attention is required when products are to be utilized in the instruments listed under Special Instruction Notes 2 and 3.

2. When high reliability and safety concerns are required, it is very important that the design be made to focus on safety and long term reliability. Special care should be given to assure that EVERLIGHT's products integrate and function properly with all other parts of the instrument. Instruments fall into these categories include:

- A : Instruments attached to transportation tools (aircraft, train, automobile)
- B : Traffic signs
- C : Gas leaking detectors and gas shutters
- D : Fire detectors
- E : Other safety detectors

3. When extremely high reliability and safety concerns are required, it is necessary that you contact EVERLIGHT for additional information before use. Instruments fall into these categories include:

- A : Aerospace instruments
- B : Telecommunication tools (main line)
- C : Nuclear weapon controls
- D : Medical instruments

4. Should you have any additional questions, please contact EVERLIGHT for details.

本資料所記載之製品的規格、特性、DATA、使用原料、構造...等，有時為了改良製品，無法事前通知，而逕行與予變更。因此請務必使用最新的規格書，並請針對內容加以確認。若因未確認規格書，導致使用次製品之機器或其他應用產品發生瑕疵時，敝公司將不負此責任。

使用本資料所記載之製品時，請遵守規格書所記載之絕對最大定格，使用上之注意事項，以及下列之注意點，若因不遵守規格書所記載之絕對最大定格，使用上之注意事項，以及下述之注意點，而導致發生損害問題時，敝公司將不負此責任。

注意項目：

1. 本資料所記載之製品，原則是為了下述之用途而製造出來的產品
A: 電算機
B: OA機器
C: 通信機器
D: 計測機器
E: 工作機器
F: AV機器
G: 家電製品

若雖合乎上述用途，但是屬於下述2或3所記載之機器時，則需遵守個別產品之使用注意事項。

2. 若本資料所記載之製品用於下述講求高信賴性與安全性之用途時，因牽涉到機能與精度方面，為了維持這類機器的信賴性與安全性，請務必注重安全設計與長期性設計，並且需考慮整體機構間的關係，依機器整體之安全設計來使用。
A: 運送機器(飛機、火車、汽車)與控制安全性等相關之產品
B: 交通信號機
C: 瓦斯漏氣檢測關閉機
D: 防災裝置
E: 各種安全裝置
3. 若本資料所記載之製品用於下述講求高信賴性與安全性之用途時，因牽涉到機能與精度方面，請事先與敝公司聯絡。
A: 太空機器(航太儀器)
B: 通信機器(幹線)
C: 原子彈控制機器
D: 醫療機器
4. 涉及上述注意事項之任何一項時，如有疑問，請和敝公司業務人員聯絡。

TECHNICAL DATA

HIGH POWER LED (SHUEN 炫, SHWO 爍, SHWO (D) 爍(D), SHWO (N) 爍(N), HV, JU 炬, XUAN 煊, A22, B05)

CIE BINNING RANKS

Cool-White Bin Coordinates

5000K				
Bin	50K-1	50K-2	50K-3	50K-4
CIE X	0.346	0.338	0.337	0.345
	0.345	0.337	0.337	0.344
	0.353	0.345	0.344	0.352
	0.355	0.346	0.345	0.353
CIE Y	0.369	0.362	0.349	0.356
	0.356	0.349	0.337	0.343
	0.362	0.356	0.343	0.349
	0.376	0.369	0.356	0.362

5700K				
Bin	57K-1	57K-2	57K-3	57K-4
CIE X	0.329	0.321	0.321	0.329
	0.329	0.321	0.322	0.329
	0.337	0.329	0.329	0.337
	0.338	0.329	0.329	0.337
CIE Y	0.354	0.346	0.335	0.342
	0.342	0.335	0.324	0.331
	0.349	0.342	0.331	0.337
	0.362	0.354	0.342	0.349

6500K				
Bin	65K-1	65K-2	65K-3	65K-4
CIE X	0.312	0.303	0.305	0.313
	0.313	0.305	0.307	0.315
	0.321	0.313	0.315	0.322
	0.321	0.312	0.313	0.321
CIE Y	0.339	0.330	0.321	0.329
	0.329	0.321	0.311	0.319
	0.337	0.329	0.319	0.326
	0.348	0.339	0.329	0.337

Warm-White Bin Coordinates

2700K				
Bin	27K-1	27K-2	27K-3	27K-4
CIE X	0.469	0.456	0.447	0.459
	0.459	0.447	0.437	0.448
	0.470	0.459	0.448	0.459
	0.481	0.469	0.459	0.470
CIE Y	0.429	0.426	0.408	0.410
	0.410	0.408	0.389	0.392
	0.413	0.410	0.392	0.394
	0.432	0.429	0.410	0.413

3000K				
Bin	30K-1	30K-2	30K-3	30K-4
CIE X	0.443	0.430	0.422	0.435
	0.435	0.422	0.415	0.426
	0.447	0.435	0.426	0.437
	0.456	0.443	0.435	0.447
CIE Y	0.421	0.417	0.399	0.403
	0.403	0.399	0.381	0.385
	0.408	0.403	0.385	0.389
	0.426	0.421	0.403	0.408

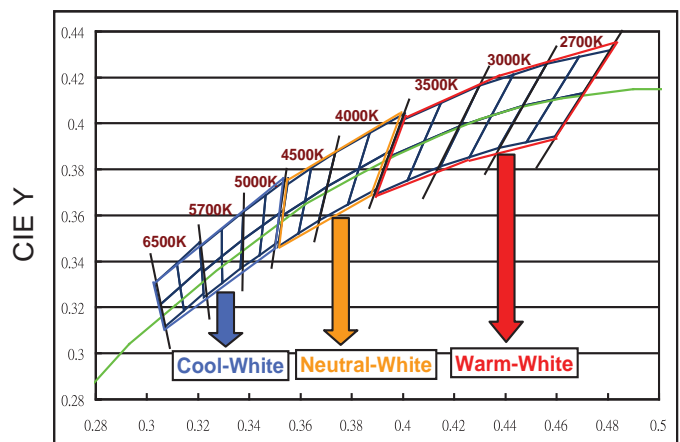
3500K				
Bin	35K-1	35K-2	35K-3	35K-4
CIE X	0.415	0.400	0.394	0.408
	0.408	0.394	0.389	0.402
	0.422	0.408	0.402	0.415
	0.430	0.415	0.408	0.422
CIE Y	0.409	0.402	0.385	0.392
	0.392	0.385	0.369	0.375
	0.399	0.392	0.375	0.381
	0.417	0.409	0.392	0.399

Natural-White Bin Coordinates

4000K				
Bin	40K-1	40K-2	40K-3	40K-4
CIE X	0.387	0.374	0.370	0.383
	0.383	0.370	0.367	0.378
	0.395	0.383	0.378	0.390
	0.401	0.387	0.383	0.395
CIE Y	0.396	0.387	0.373	0.380
	0.380	0.373	0.358	0.365
	0.388	0.380	0.365	0.372
	0.404	0.396	0.380	0.388

4500K				
Bin	45K-1	45K-2	45K-3	45K-4
CIE X	0.364	0.355	0.353	0.362
	0.362	0.353	0.351	0.359
	0.370	0.362	0.359	0.367
	0.374	0.364	0.362	0.370
CIE Y	0.381	0.374	0.360	0.366
	0.366	0.360	0.347	0.352
	0.373	0.366	0.352	0.358
	0.387	0.381	0.366	0.373

White Color Bin Structure



Chromaticity specification defined by ANSI

TECHNICAL DATA

HIGH POWER LED (SHUEN 炫, SHWO 燦, SHWO (D) 燦 (D), SHWO (N) 燦 (N), HV, JU 炬, XUAN 煊, A22, B05)

BRIGHTNESS BINNING RANKS

Shuen, Shwo, Shwo (D), HV Shuen, Shwo

Ju, XUAN

Brightness (lm)

Wavelength (nm)

Brightness (lm)

Luminous Flux Bins

Luminous Flux Bins

Group	Binning	Minimum Photometric Flux (lm)	Maximum Photometric Flux (lm)	Group	Binning	Minimum Dominant Wavelength (nm)	Maximum Dominant Wavelength (nm)	Group	Binning	Minimum Photometric Flux (lm)	Maximum Photometric Flux (lm)	Group	Binning	Minimum Photometric Flux (lm)	Maximum Photometric Flux (lm)
E	1	4	5	B Blue/Royal-Blue	1	430	435	F	1	27	33	S	1	2200	2400
	2	5	6		2	435	440		2	33	39		2	2400	2600
	3	6	8		3	440	445		3	39	45		3	2600	2800
	4	8	10		4	445	450		4	45	52		4	2800	3000
	5	10	13		5	450	455		5	52	60		5	3000	3200
	6	13	17		6	455	460		6	60	70		6	3200	3400
	7	17	20		7	460	465		7	70	80		7	3400	3600
	8	20	23		8	465	470		8	80	90		8	3600	3800
	9	23	27		9	520	525		9	90	100		9	3800	4000
F	1	27	33	G Green	2	525	530	J	1	100	110	M	1	4000	4200
	2	33	39		3	530	535		2	110	120		2	4200	4400
	3	39	45		4	535	540		3	120	130		3	4400	4600
	4	45	52		5	540	545		4	130	140		4	4600	4800
	5	52	60		6	545	550		5	140	150		5	4800	5000
	6	60	70		1	580	582.5		6	150	160		6	5000	5200
	7	70	80	A Amber	2	582.5	585		7	160	180		7	5200	5400
	8	80	90		3	585	587.5		8	180	200		8	5400	5600
	9	90	100		4	587.5	590		9	200	225		9	5600	5800
J	1	100	110	R Red	5	590	592.5	K	1	225	250	Q	1	5800	6000
	2	110	120		6	592.5	595		2	250	275		2	6000	6200
	3	120	130		3	610	615		3	275	300		3	6200	6400
	4	130	140		4	615	620		4	300	325		4	6400	6600
	5	140	150		5	620	625		5	325	350		5	6600	6800
	6	150	160		6	625	630		6	350	375		6	6800	7000
	7	160	180	7	630	635	7		375	400	7		7000	7200	
	8	180	200	D Deep-Red	1	635	640		8	400	425		8	7200	7400
	9	200	225		2	640	645		9	425	450		9	7400	7600
K	1	225	250		3	645	650	N	1	450	475	P	1	900	1000
	2	250	275	4	650	655	2		475	500	2		1000	1100	
	3	275	300	5	655	660	3		500	550	3		1100	1200	
	4	300	325	6	660	665	4		550	600	4		1200	1350	
	5	325	350	7	665	670	5		600	650	5		1350	1500	
	6	350	375	8	670	675	6		650	700	6		1500	1650	
	7	375	400	F Far-Red	1	700	710		7	700	750		7	1650	1800
	8	400	425		2	710	715		8	750	800		8	1800	2000
	9	425	450		3	715	720		9	800	900		9	2000	2200
N	1	450	475	4	720	725	P	1	900	1000	P	1	900	1000	
	2	475	500	5	725	730		2	1000	1100		2	1000	1100	
	3	500	525	6	730	735		3	1100	1200		3	1100	1200	
	4	525	550	7	735	740		4	1200	1350		4	1200	1350	
				8	740	745		5	1350	1500		5	1350	1500	
								6	1500	1650		6	1500	1650	
								7	1650	1800		7	1650	1800	
								8	1800	2000		8	1800	2000	
								9	2000	2200		9	2000	2200	

HIGH POWER LED (SHUEN 炫, SHWO 燦, SHWO(D) 燦(D), SHWO(N) 燦(N), A22, B05)

FORWARD VOLTAGE BINNING RANKS

A22, B05

Brightness (lm)

Luminous Flux Bins

Group	Binning	Minimum Photometric Flux (lm)	Maximum Photometric Flux (lm)	
E	1	1.5	3	
	2	3	4	
	3	4	5	
	4	5	6	
	5	6	8	
F	1	8	10	
	2	10	13	
	3	13	17	
	4	17	20	
	5	20	23	
J	1	23	27	
	2	27	33	
	3	33	39	
	4	39	45	
	5	45	52	
K	1	52	60	
	2	60	70	
	31	70	75	
	32	75	80	
	33	80	85	
	41	85	90	
	42	90	95	
	43	95	100	
	51	100	110	
	52	110	120	
	53	120	130	
N	11	130	140	
	12	140	150	
	13	150	160	
	21	160	180	
	22	180	200	
	31	200	225	
	32	225	250	
	41	250	275	
	42	275	300	
	51	300	350	
	52	350	400	
	R	11	400	450
		12	450	500
21		500	550	
22		550	600	
31		600	650	
32		650	700	
33		700	750	
4		750	1000	
5		1000	1300	

Shuen & Shwo

Forward Voltage Bins

Group Name	Bins	
A	U1+U2+U3	
B	U2+U3+U4	
C	V1+V2+V3	
D	V2+V3+V4	
E	V3+V4+V5	
F	V1+V2	
G	V1	
Bin	Minimum Forward Voltage (V)	Maximum Forward Voltage (V)
U1	1.75	2.05
U2	2.05	2.35
U3	2.35	2.65
U4	2.65	2.95
V1	2.95	3.25
V2	3.25	3.55
V3	3.55	3.85
V4	3.85	4.15
V5	4.15	4.45

Shwo (D)

Forward Voltage Bins

Group Name	Bins	
A	U1+U2+U3+U4	
B	U2+U3+U4+V1	
C	V1+V2+V3	
D	V1+V2+V3+V4	
Bin	Minimum Forward Voltage (V)	Maximum Forward Voltage (V)
U1	1.75	2.05
U2	2.05	2.35
U3	2.35	2.65
U4	2.65	2.95
V1	2.95	3.25
V2	3.25	3.55
V3	3.55	3.85
V4	3.85	4.15

A22 (0.5W)

Forward Voltage Bins

Bin	Minimum Forward Voltage (V)	Maximum Forward Voltage (V)
V1	2.95	3.25
V2	3.25	3.55
V3	3.55	3.85
V4	3.85	4.15

A22 (1W)

Forward Voltage Bins

Bin	Minimum Forward Voltage (V)	Maximum Forward Voltage (V)	
VD	13.5	14.7	
VE	14.7	15.9	
VF	VF-1	15.9	16.2
	VF-2	16.2	16.5
	VF-3	16.5	16.8
	VF-4	16.8	17.1
VG	VG-1	17.1	17.4
	VG-2	17.4	17.7
	VG-3	17.7	18.0
	VG-4	18.0	18.3

B05

Forward Voltage Bins

Bin	Minimum Forward Voltage (V)	Maximum Forward Voltage (V)
O1	4.5	5.0
O2	5.0	5.5
O3	5.5	6.0
O4	6.0	6.5
O5	6.5	7.0
O6	7.0	7.5
O7	7.5	8.0
R1	8.0	9.0
R2	9.0	10.0
R3	10.0	11.0
R4	11.0	12.0

TECHNICAL DATA

HIGH POWER LED (HV, JU SERIES) FORWARD VOLTAGE BINNING RANKS

HV (1W)

Forward Voltage Bins For 110V

Group Name	Bins
A	A3+A4
B	A4+A5
C	A5+A6
D	A3+A4+A5
E	A4+A5+A6
F	A3+A4+A5+A6

Bin	Production Line	
	Minimum Voltage (V)	Maximum Voltage (V)
A1	43	45
A2	45	47
A3	47	49
A4	49	51
A5	51	53
A6	53	55
A7	55	57
A8	57	59
A9	59	61

HV (2W)

Forward Voltage Bins For 110V

Group Name	Bins
A	B3+B4
B	B4+B5
C	B5+B6
D	B3+B4+B5
E	B4+B5+B6
F	B3+B4+B5+B6

Bin	Production Line	
	Minimum Voltage (V)	Maximum Voltage (V)
B1	87	91
B2	91	95
B3	95	99
B4	99	103
B5	103	107
B6	107	111
B7	111	115
B8	115	119
B9	119	123

Ju (1215, 2024)

Forward Voltage Bins

Group	Binning	Minimum Forward Voltage(V)	Maximum Forward Voltage(V)
R	R1	9	10
	R2	10	11
	R3	11	12
	R4	12	13
	R5	13	14
	R6	14	15
	R7	15	16
	R8	16	17
	R9	17	18
T	T1	18	19
	T2	19	20
	T3	20	21
	T4	21	22
	T5	22	23
	T6	23	24
	T7	24	25
	T8	25	26
	T9	26	27
W	W1	27	29
	W2	29	31
	W3	31	33
	W4	33	35
	W5	35	37
	W6	37	39
	W7	39	41
	W8	41	43
	W9	43	45
X	X1	45	47
	X2	47	50
	X3	50	53
	X4	53	56
	X5	56	59
	X6	59	63
	X7	63	67
	X8	67	71
	X9	71	75
Y	Y1	75	79
	Y2	79	83
	Y3	83	88
	Y4	88	93
	Y5	93	98
	Y6	98	103
	Y7	103	108
	Y8	108	113

For Lighting Application Only

LOW MIDDLE POWER LED - SMD TYPE
CIE BINNING RANKS

Cool-White Bin Coordinates

5000K						
Bin	A	B	C	D	F	G
CIE X	0.3551	0.3464	0.3371	0.3533	0.3487	0.3482
	0.3464	0.3376	0.3366	0.3482	0.3425	0.3422
	0.3456	0.3371	0.3441	0.3477	0.3422	0.3418
	0.3487	0.3422	0.3448	0.3448	0.3482	0.3477
	0.3482	0.3425	0.3418	0.3441	--	--
CIE Y	0.3533	0.3456	0.3422	0.3515	--	--
	0.3760	0.3688	0.3493	0.3624	0.3629	0.3583
	0.3688	0.3616	0.3369	0.3583	0.3579	0.3533
	0.3604	0.3493	0.3428	0.3530	0.3533	0.3483
	0.3629	0.3533	0.3507	0.3507	0.3583	0.3530
	0.3583	0.3579	0.3483	0.3428	--	--
	0.3624	0.3604	0.3533	0.3487	--	--

5700K						
Bin	A	B	C	D	F	G
CIE X	0.3376	0.3292	0.3215	0.3371	0.3321	0.3321
	0.3292	0.3207	0.3222	0.3321	0.3261	0.3262
	0.3292	0.3215	0.3294	0.3320	0.3262	0.3263
	0.3321	0.3262	0.3293	0.3293	0.3321	0.3320
	0.3321	0.3261	0.3263	0.3294	--	--
	0.3371	0.3292	0.3262	0.3366	--	--
CIE Y	0.3616	0.3539	0.3353	0.3493	0.3490	0.3447
	0.3539	0.3462	0.3243	0.3447	0.3436	0.3395
	0.3464	0.3353	0.3306	0.3401	0.3395	0.3350
	0.3490	0.3395	0.3377	0.3377	0.3447	0.3401
	0.3447	0.3436	0.3350	0.3306	--	--
	0.3493	0.3464	0.3395	0.3369	--	--

6500K						
Bin	A	B	C	D	F	G
CIE X	0.3205	0.3117	0.3048	0.3213	0.3157	0.3161
	0.3117	0.3028	0.3068	0.3161	0.3093	0.3100
	0.3125	0.3048	0.3145	0.3166	0.3100	0.3106
	0.3157	0.3100	0.3136	0.3136	0.3161	0.3166
	0.3161	0.3093	0.3106	0.3145	--	--
	0.3213	0.3125	0.3100	0.3221	--	--
CIE Y	0.3481	0.3393	0.3209	0.3371	0.3360	0.3320
	0.3393	0.3304	0.3113	0.3320	0.3297	0.3259
	0.3328	0.3209	0.3187	0.3281	0.3259	0.3222
	0.3360	0.3259	0.3251	0.3251	0.3320	0.3281
	0.3320	0.3297	0.3222	0.3187	--	--
	0.3371	0.3328	0.3259	0.3261	--	--

Natural-White Bin Coordinates

4000K						
Bin	A	B	C	D	F	G
CIE X	0.4006	0.3871	0.3703	0.3952	0.3890	0.3873
	0.3871	0.3736	0.3670	0.3873	0.3793	0.3779
	0.3843	0.3703	0.3784	0.3854	0.3779	0.3764
	0.3890	0.3779	0.3810	0.3810	0.3873	0.3854
	0.3873	0.3793	0.3764	0.3784	--	--
	0.3952	0.3843	0.3779	0.3898	--	--
CIE Y	0.4044	0.3959	0.3726	0.3880	0.3887	0.3831
	0.3959	0.3874	0.3578	0.3831	0.3828	0.3773
	0.3858	0.3726	0.3647	0.3768	0.3773	0.3713
	0.3887	0.3773	0.3741	0.3741	0.3831	0.3768
	0.3831	0.3828	0.3713	0.3647	--	--
	0.3880	0.3858	0.3773	0.3716	--	--

4500K						
Bin	A	B	C	D	F	G
CIE X	0.3736	0.3642	0.3530	0.3703	0.3658	0.3648
	0.3642	0.3548	0.3512	0.3648	0.3592	0.3584
	0.3626	0.3530	0.3591	0.3637	0.3584	0.3575
	0.3658	0.3584	0.3607	0.3607	0.3648	0.3637
	0.3648	0.3592	0.3575	0.3591	--	--
	0.3703	0.3626	0.3584	0.3670	--	--
CIE Y	0.3874	0.3805	0.3601	0.3726	0.3738	0.3686
	0.3805	0.3736	0.3465	0.3686	0.3689	0.3640
	0.3714	0.3601	0.3522	0.3630	0.3640	0.3585
	0.3738	0.3640	0.3608	0.3608	0.3686	0.3630
	0.3686	0.3689	0.3585	0.3522	--	--
	0.3726	0.3714	0.3640	0.3578	--	--

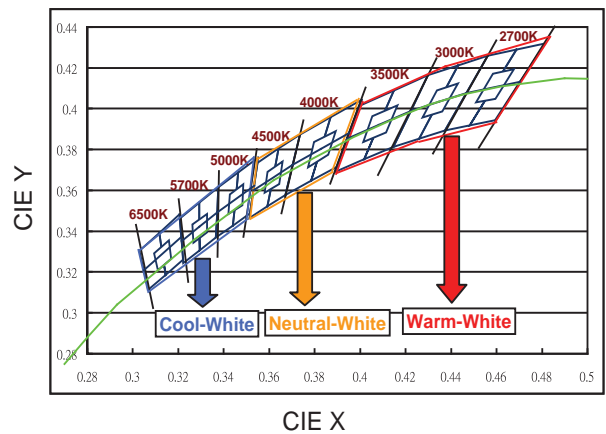
Warm-White Bin Coordinates

2700K						
Bin	A	B	C	D	F	G
CIE X	0.4813	0.4687	0.4465	0.4700	0.4667	0.4627
	0.4687	0.4562	0.4373	0.4627	0.4576	0.4539
	0.4621	0.4465	0.4483	0.4588	0.4539	0.4502
	0.4667	0.4539	0.4544	0.4544	0.4627	0.4588
	0.4627	0.4576	0.4502	0.4483	--	--
	0.4700	0.4621	0.4539	0.4593	--	--
CIE Y	0.4319	0.4289	0.4071	0.4126	0.4180	0.4109
	0.4289	0.4260	0.3893	0.4109	0.4158	0.4088
	0.4169	0.4071	0.3919	0.4041	0.4088	0.4020
	0.4180	0.4088	0.4030	0.4030	0.4109	0.4041
	0.4109	0.4158	0.4020	0.3919	--	--
	0.4126	0.4169	0.4088	0.3944	--	--

3000K						
Bin	A	B	C	D	F	G
CIE X	0.4562	0.4430	0.4221	0.4465	0.4422	0.4388
	0.4430	0.4299	0.4147	0.4388	0.4328	0.4297
	0.4375	0.4221	0.4259	0.4355	0.4297	0.4267
	0.4422	0.4297	0.4311	0.4311	0.4388	0.4355
	0.4388	0.4328	0.4267	0.4259	--	--
	0.4465	0.4375	0.4297	0.4373	--	--
CIE Y	0.4260	0.4212	0.3984	0.4071	0.4113	0.4043
	0.4212	0.4165	0.3814	0.4043	0.4079	0.4011
	0.4096	0.3984	0.3853	0.3977	0.4011	0.3946
	0.4113	0.4011	0.3962	0.3962	0.4043	0.3977
	0.4043	0.4079	0.3946	0.3853	--	--
	0.4071	0.4096	0.4011	0.3893	--	--

3500K						
Bin	A	B	C	D	F	G
CIE X	0.4299	0.4148	0.3943	0.4221	0.4159	0.4134
	0.4148	0.3996	0.3889	0.4134	0.4051	0.4029
	0.4106	0.3943	0.4018	0.4108	0.4029	0.4006
	0.4159	0.4029	0.4057	0.4057	0.4134	0.4108
	0.4134	0.4051	0.4006	0.4018	--	--
	0.4221	0.4106	0.4029	0.4147	--	--
CIE Y	0.4165	0.4090	0.3853	0.3984	0.4007	0.3943
	0.4090	0.4015	0.3690	0.3943	0.3954	0.3893
	0.3981	0.3853	0.3752	0.3878	0.3893	0.3829
	0.4007	0.3893	0.3853	0.3853	0.3943	0.3878
	0.3943	0.3954	0.3829	0.3752	--	--
	0.3984	0.3981	0.3893	0.3814	--	--

White Color Bin Structure



Chromaticity specification defined by ANSI

TECHNICAL DATA

For Lighting Application Only

LOW MIDDLE POWER LED - SURFACE MOUNT PLCC TYPE LED BRIGHTNESS BINNING RANKS

Luminous Flux Bins

Unit : lm

Bin code	Range	
	Min.	Max.
D1	0.5	1.0
D2	1.0	1.5
D3	1.5	2.0
D4	2.0	2.5
D5	2.5	3.0
D6	3.0	3.5
D7	3.5	4.0
D8	4.0	4.5
D9	4.5	5.0
BA	5.0	5.5
B1	5.5	6.0
B2	6.0	6.5
B3	6.5	7.0
B4	7.0	7.5
B5	7.5	8.0
B6	8.0	8.5
B7	8.5	9.0
B8	9.0	9.5
B9	9.5	10.0
L1	10.0	11.0
L2	11.0	12.0
L3	12.0	13.0
L4	13.0	14.0
L5	14.0	15.0
L6	15.0	16.0
L7	16.0	17.0
L8	17.0	18.0
L9	18.0	19.0
M3	19.0	21.0
M4	21.0	24.0
N3	24.0	27.0
N4	27.0	33.0
P3	33.0	39.0
P4	39.0	45.0
Q3	45.0	52.0
NB	32.0	36.0
PA	36.0	40.0
PB	40.0	45.0
QA	45.0	50.0
R1	50.0	55.0
R2	55.0	60.0
R3	60.0	65.0
R4	65.0	70.0
R5	70.0	76.0
R6	76.0	83.0
R7	83.0	90.0
R8	90.0	100.0
S1	100.0	110.0
S2	110.0	120.0
S3	120.0	130.0
S4	130.0	140.0
S5	140.0	150.0
S6	150.0	160.0
S7	160.0	170.0

VF Group Bin Code

Unit : V

Forward Voltage Group	Bin	Min.	Max.	
B2	B42	35	2.80	2.90
		36	2.90	3.00
		37	3.00	3.10
		38	3.10	3.20
		39	3.20	3.30
		40	3.30	3.40
		41	3.40	3.50
		42	3.50	3.60

Forward Voltage Group	Bin	Min.	Max.
5670	5#6	5.6	5.7
	5#7	5.7	5.8
	5#8	5.8	5.9
	5#9	5.9	6.0
	6#0	6.0	6.1
	6#1	6.1	6.2
	6#2	6.2	6.3
	6#3	6.3	6.4
	6#4	6.4	6.5
	6#5	6.5	6.6
	6#6	6.6	6.7
	6#7	6.7	6.8
	6#8	6.8	6.9
	6#9	6.9	7.0

Forward Voltage Group	Bin	Min.	Max.
8499	84C	8.4	8.7
	87C	8.7	9.0
	90C	9.0	9.3
	93C	9.3	9.6
	96C	9.6	9.9

SMD LED : SURFACE MOUNT CHIP LED (PCB TYPE) BRIGHTNESS BIN SELECTION

Luminous Intensity Groups

Unit : mcd

	C0: 0.28 ... 0.45	Q ▶	Q1: 72.0 ... 90.0
	D0: 0.45 ... 0.70		Q2: 90.0 ... 112
	E0: 0.70 ... 1.1	R ▶	R1: 112 ... 140
	F0: 1.1 ... 1.8		R2: 140 ... 180
	G0: 1.8 ... 2.8	S ▶	S1: 180 ... 225
	H0: 2.8 ... 4.5		S2: 225 ... 285
	J0: 4.5 ... 7.2	T ▶	T1: 285 ... 360
	K0: 7.2 ... 11.5		T2: 360 ... 450
L ▶	L1: 11.5 ... 14.5	U ▶	U1: 450 ... 565
	L2: 14.5 ... 18.0		U2: 565 ... 715
M ▶	M1: 18.0 ... 22.5		V0: 715 ... 1120
	M2: 22.5 ... 28.5		W0: 1120 ... 1800
N ▶	N1: 28.5 ... 36.0		X0: 1800 ... 2850
	N2: 36.0 ... 45.0		Y0: 2850 ... 4500
P ▶	P1: 45.0 ... 57.0		
	P2: 57.0 ... 72.0		

Note: The luminous intensity data did not include ±15% testing tolerance.

V_F (Forward Voltage Spec. Setup)

Unit : V

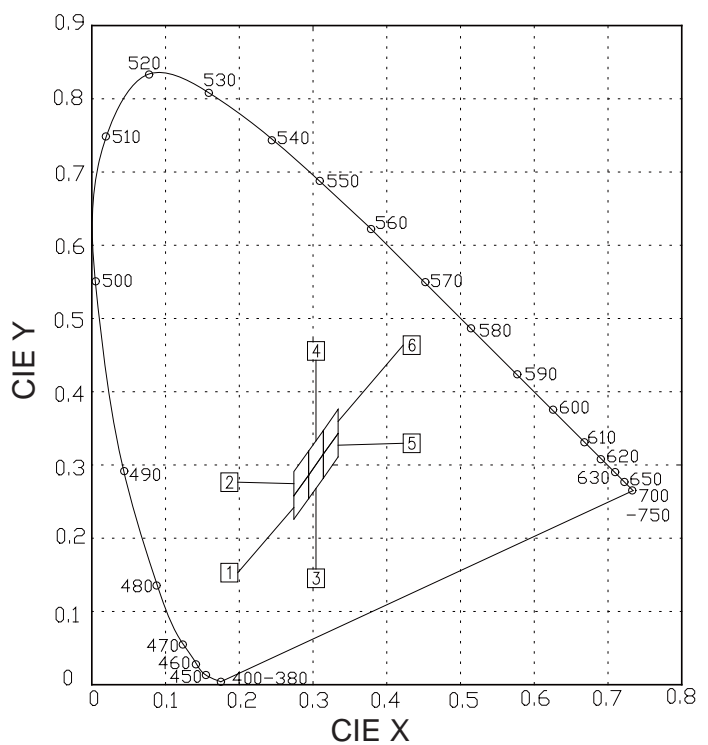
Forward Voltage Groups	Bin	Min.	Max.
	00	1.55	1.75
	0	1.75	1.95
	1	1.95	2.15
	2	2.15	2.35
	3	2.35	2.55
	4	2.55	2.75
	5	2.75	3.05
	6	3.05	3.35
	7	3.35	3.65
	8	3.65	3.95
	10	2.70	2.90
	11	2.90	3.10
	12	3.10	3.30
	13	3.30	3.50
	14	3.50	3.70
	15	2.70	2.85
	16	2.85	3.00
	17	3.00	3.15
	18	3.15	3.30

Note: The forward voltage data did not include ±0.1V testing tolerance.

Bin Coordinate

Group	Bin Code	CIE_X	CIE_Y
A	1	0.274	0.226
		0.274	0.258
		0.294	0.286
		0.294	0.254
	2	0.274	0.258
		0.274	0.291
		0.294	0.319
		0.294	0.286
	3	0.294	0.254
		0.294	0.286
		0.314	0.315
		0.314	0.282
	4	0.294	0.286
		0.294	0.319
		0.314	0.347
		0.314	0.315
	5	0.314	0.282
		0.314	0.315
		0.334	0.343
		0.334	0.311
	6	0.314	0.315
		0.314	0.347
		0.334	0.376
		0.334	0.343

Bin Structure (White Light)



TECHNICAL DATA

For Lighting Application Only

SMD LED : SURFACE MOUNT PLCC LED (REFLECTOR) / LOW POWER LED
BRIGHTNESS BIN SELECTION

Luminous Intensity Groups

Unit : mcd

Bin Code	Min.	Max.	Bin Code	Min.	Max.
D1	0.5	1.0	NB	32.0	36.0
D2	1.0	1.5	PA	36.0	40.0
D3	1.5	2.0	PB	40.0	45.0
D4	2.0	2.5	QA	45.0	50.0
D5	2.5	3.0	R1	50.0	55.0
D6	3.0	3.5	R2	55.0	60.0
D7	3.5	4.0	R3	60.0	65.0
D8	4.0	4.5	R4	65.0	70.0
D9	4.5	5.0	R5	70.0	76.0
BA	5.0	5.5	R6	76.0	83.0
B1	5.5	6.0	R7	83.0	90.0
B2	6.0	6.5	R8	90.0	100.0
B3	6.5	7.0	S1	100.0	110.0
B4	7.0	7.5	S2	110.0	120.0
B5	7.5	8.0	S3	120.0	130.0
B6	8.0	8.5	S4	130.0	140.0
B7	8.5	9.0	S5	140.0	150.0
B8	9.0	9.5	S6	150.0	160.0
B9	9.5	10.0	S7	160.0	170.0
L1	10.0	11.0	S8	170.0	180.0
L2	11.0	12.0	T1	180.0	190.0
L3	12.0	13.0	T2	190.0	200.0
L4	13.0	14.0	T3	200.0	220.0
L5	14.0	15.0	T4	220.0	240.0
L6	15.0	16.0	T5	240.0	260.0
L7	16.0	17.0	T6	260.0	280.0
L8	17.0	18.0	T7	280.0	300.0
L9	18.0	19.0	T8	300.0	320.0
M3	19.0	21.0			
M4	21.0	24.0			
N3	24.0	27.0			
N4	27.0	33.0			
P3	33.0	39.0			
P4	39.0	45.0			
Q3	45.0	52.0			

V_F (Forward Voltage Spec. Setup)

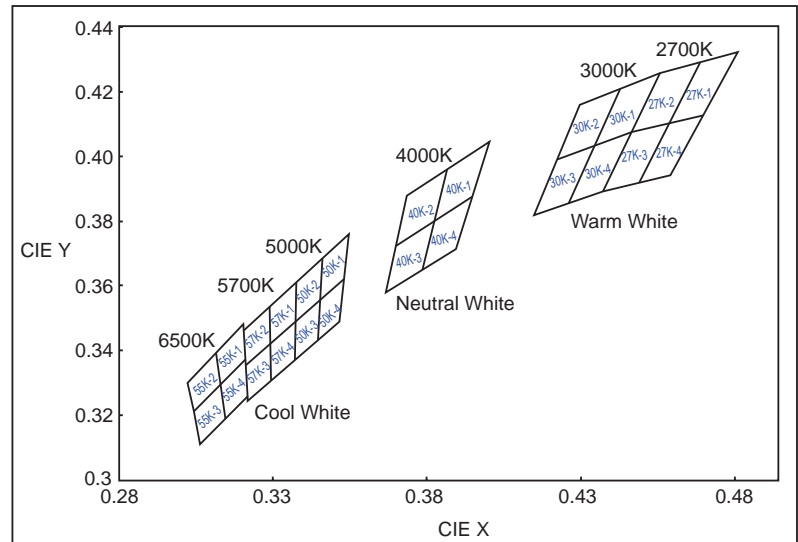
Unit : V (I_F=150mA)

Bin Group	Bin Code	Min.	Max.	
B42	B2	35	2.8	2.9
		36	2.9	3.0
		37	3.0	3.1
		38	3.1	3.2
		39	3.2	3.3
		40	3.3	3.4
		41	3.4	3.5
		42	3.5	3.6

Table of Color Rendering Index

Symbol	Description
M	CRI(Min.) : 60
N	CRI(Min.) : 65
L	CRI(Min.) : 70
Q	CRI(Min.) : 75
K	CRI(Min.) : 80
P	CRI(Min.) : 85
H	CRI(Min.) : 90

Bin Structure



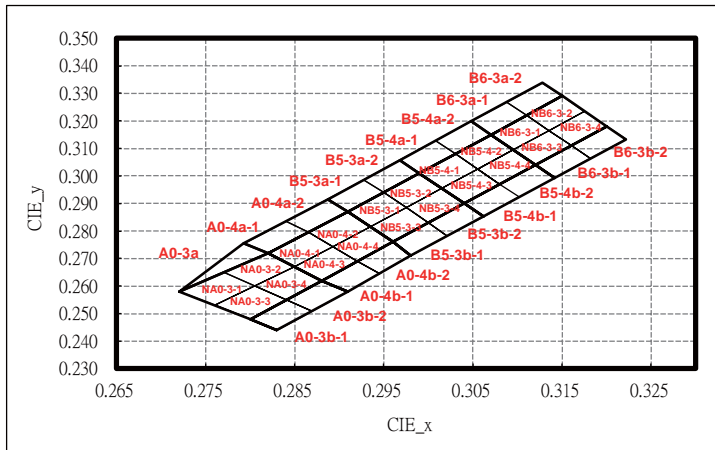
Bin Coordinate

CCT	Bin Code	CIE_x	CIE_y	Bin Code	CIE_x	CIE_y
6500K	65K-1	0.3205	0.3481	65K-3	0.3131	0.3290
		0.3117	0.3393		0.3048	0.3209
		0.3131	0.3290		0.3068	0.3113
		0.3213	0.3371		0.3145	0.3187
	65K-2	0.3117	0.3393	65K-4	0.3213	0.3371
		0.3028	0.3304		0.3131	0.3290
		0.3048	0.3209		0.3145	0.3187
		0.3131	0.3290		0.3221	0.3261
5700K	57K-1	0.3376	0.3616	57K-3	0.3293	0.3423
		0.3292	0.3539		0.3215	0.3353
		0.3293	0.3423		0.3222	0.3243
		0.3371	0.3493		0.3294	0.3306
	57K-2	0.3292	0.3539	57K-4	0.3371	0.3493
		0.3207	0.3462		0.3293	0.3423
		0.3215	0.3353		0.3294	0.3306
		0.3293	0.3423		0.3366	0.3369
5000K	50K-1	0.3551	0.3760	50K-3	0.3452	0.3558
		0.3464	0.3688		0.3371	0.3493
		0.3452	0.3558		0.3366	0.3369
		0.3533	0.3624		0.3441	0.3428
	50K-2	0.3464	0.3688	50K-4	0.3533	0.3624
		0.3376	0.3616		0.3452	0.3558
		0.3371	0.3493		0.3441	0.3428
		0.3452	0.3558		0.3515	0.3487
4000K	40K-1	0.4006	0.4044	40K-3	0.3828	0.3803
		0.3871	0.3959		0.3703	0.3726
		0.3828	0.3803		0.3670	0.3578
		0.3952	0.3880		0.3784	0.3647
	40K-2	0.3871	0.3959	40K-4	0.3952	0.3880
		0.3736	0.3874		0.3828	0.3803
		0.3703	0.3726		0.3784	0.3647
		0.3828	0.3803		0.3898	0.3716
3000K	30K-1	0.4562	0.4260	30K-3	0.4345	0.4033
		0.4431	0.4213		0.4223	0.3990
		0.4345	0.4033		0.4147	0.3814
		0.4468	0.4077		0.4260	0.3854
	30K-2	0.4431	0.4213	30K-4	0.4468	0.4077
		0.4299	0.4165		0.4345	0.4033
		0.4223	0.3990		0.4260	0.3854
		0.4345	0.4033		0.4373	0.3893
2700K	27K-1	0.4813	0.4319	27K-3	0.4585	0.4104
		0.4688	0.4290		0.4468	0.4077
		0.4585	0.4104		0.4373	0.3893
		0.4703	0.4132		0.4483	0.3919
	27K-2	0.4688	0.4290	27K-4	0.4703	0.4132
		0.4562	0.4260		0.4585	0.4104
		0.4468	0.4077		0.4483	0.3919
			0.4104			0.3944

TECHNICAL DATA

SMD LED (99-616, 99-826, 45-21, 50-215 SERIES) BRIGHTNESS BIN SELECTION

Chromaticity Diagram



Bin Code of Chromaticity Coordinates

Bin Code	CIE_x	CIE_y	Bin Code	CIE_x	CIE_y	Bin Code	CIE_x	CIE_y	Bin Code	CIE_x	CIE_y				
NA0-3-1	0.2760	0.2530	NA0-3-2	0.2805	0.2600	NA0-4-1	0.2850	0.2670	NA0-4-2	0.2893	0.2743				
	0.2720	0.2580		0.2770	0.2650		0.2820	0.2720		0.2865	0.2795	0.2910	0.2870		
	0.2770	0.2650		0.2805	0.2600		0.2850	0.2670		0.2893	0.2743	0.2935	0.2815		
NA0-3-3	0.2800	0.2480	NA0-3-4	0.2840	0.2550	NA0-4-3	0.2880	0.2620	NA0-4-4	0.2920	0.2690				
	0.2760	0.2530		0.2805	0.2600		0.2850	0.2670		0.2893	0.2743	0.2935	0.2815		
	0.2805	0.2600		0.2850	0.2670		0.2880	0.2620		0.2920	0.2690	0.2960	0.2760		
A0-3b-1	0.2830	0.2440	A0-3b-2	0.2870	0.2510	A0-4b-1	0.2910	0.2580	A0-4b-2	0.2945	0.2645				
	0.2800	0.2480		0.2840	0.2550		0.2880	0.2620		0.2920	0.2690	0.2960	0.2760		
	0.2840	0.2550		0.2880	0.2620		0.2920	0.2690		0.2960	0.2760	0.2980	0.2710		
A0-4a-1	0.2820	0.2720	A0-4a-2	0.2865	0.2795	B5-3a-1	0.2910	0.2870	B5-3a-2	0.2950	0.2940				
	0.2793	0.2755		0.2840	0.2836		0.2887	0.2916		0.2928	0.2987	0.2928	0.2987		
	0.2840	0.2836		0.2887	0.2916		0.2950	0.2940		0.2990	0.3010	0.2968	0.3058		
A0-3a	0.2720	0.2580	NB5-3-1	0.2910	0.2870	NB5-3-2	0.2975	0.2885	NB5-3-2	0.2975	0.2885				
	0.2793	0.2755		0.2935	0.2815		0.2950	0.2940		0.2990	0.3010	0.2950	0.2940		
	0.2820	0.2720		0.2910	0.2870		0.2950	0.2940		0.2990	0.3010	0.2990	0.3010		
Bin Code	CIE_x	CIE_y	Bin Code	CIE_x	CIE_y	Bin Code	CIE_x	CIE_y	Bin Code	CIE_x	CIE_y				
	NB5-3-3	0.2960		0.2760	NB5-3-4		0.3000	0.2830		B5-4b-1	0.3062	0.2853	B5-4b-2	0.3102	0.2923
		0.2935		0.2815			0.2975	0.2885			0.3040	0.2900		0.3080	0.2970
0.2975		0.2885	0.3015	0.2955		0.3080	0.2970	0.3102	0.2923		0.3120	0.3040			
B5-3b-1	0.2980	0.2710	B5-3b-2	0.3021	0.2782	B6-3a-1	0.3070	0.3150	B6-3a-2	0.3110	0.3220				
	0.2960	0.2760		0.3000	0.2830		0.3048	0.3198		0.3088	0.3268	0.3142	0.2993		
	0.3000	0.2830		0.3040	0.2900		0.3088	0.3268		0.3128	0.3338	0.3128	0.3338		
B5-4a-1	0.2990	0.3010	B5-4a-2	0.3030	0.3080	NB6-3-1	0.3070	0.3150	NB6-3-2	0.3110	0.3220				
	0.2968	0.3058		0.3008	0.3128		0.3110	0.3220		0.3150	0.3290	0.3110	0.3220		
	0.3008	0.3128		0.3048	0.3198		0.3135	0.3165		0.3175	0.3235	0.3175	0.3235		
NB5-4-1	0.3015	0.2955	NB5-4-2	0.3055	0.3025	NB6-3-3	0.3120	0.3040	NB6-3-4	0.3160	0.3110				
	0.2990	0.3010		0.3030	0.3080		0.3095	0.3095		0.3135	0.3165	0.3135	0.3165		
	0.3030	0.3080		0.3070	0.3150		0.3160	0.3110		0.3200	0.3180	0.3175	0.3235		
NB5-4-3	0.3040	0.2900	NB5-4-4	0.3080	0.2970	B6-3b-1	0.3142	0.2993	B6-3b-2	0.3182	0.3063				
	0.3015	0.2955		0.3055	0.3025		0.3120	0.3040		0.3160	0.3110	0.3160	0.3110		
	0.3055	0.3025		0.3095	0.3095		0.3160	0.3110		0.3200	0.3180	0.3200	0.3180		
Bin Code	CIE_x	CIE_y	Bin Code	CIE_x	CIE_y	Bin Code	CIE_x	CIE_y	Bin Code	CIE_x	CIE_y				
	NB5-4-3	0.3080		0.2970	NB5-4-4		0.3120	0.3040		B6-3b-1	0.3182	0.3063	B6-3b-2	0.3220	0.3133
		0.3015		0.2955			0.3055	0.3025			0.3120	0.3040		0.3160	0.3110
0.3055		0.3025	0.3095	0.3095		0.3160	0.3110	0.3200	0.3180		0.3200	0.3180			

Luminous Intensity Groups

Unit : mcd

Bin	Min.	Max.	Bin	Min.	Max.	Bin	Min.	Max.
01	500	600	23	1250	1300	45	2500	2600
02	600	630	24	1300	1350	46	2600	2700
03	630	660	25	1350	1400	47	2700	2800
04	660	690	26	1400	1450	48	2800	2900
05	690	720	27	1450	1500	49	2900	3000
06	720	750	28	1500	1550	50	3000	3100
07	750	780	29	1550	1600	51	3100	3200
08	780	810	30	1600	1650			
09	810	840	31	1650	1700			
10	840	870	32	1700	1750			
11	870	900	33	1750	1800			
12	900	930	34	1800	1850			
13	930	960	35	1850	1900	H42	2200	2250
14	960	990	36	1900	1950	H43	2250	2300
15	990	1020	37	1950	2000	H44	2300	2350
16	1020	1050	38	2000	2050	H45	2350	2400
17	1050	1080	39	2050	2100	H46	2400	2450
18	1080	1110	40	2100	2150	H47	2450	2500
19	1110	1140	41	2150	2200	H48	2500	2550
20	1140	1170	42	2200	2300	H49	2550	2600
21	1170	1200	43	2300	2400	H50	2600	2650
22	1200	1250	44	2400	2500	H51	2650	2700

Note: Tolerance of Luminous Intensity: $\pm 7\%$.

Luminous Flux

Unit : lm

Bin	Min.	Max.
40	4.00	4.25
42	4.25	4.50
45	4.50	4.75
47	4.75	5.00
50	5.00	5.25
52	5.25	5.50
55	5.50	5.75
57	5.75	6.00
60	6.00	6.25
62	6.25	6.50
65	6.50	6.75
67	6.75	7.00
70	7.00	7.25
72	7.25	7.50
75	7.50	7.75
77	7.75	8.00
80	8.00	8.25
82	8.25	8.50

V_F (Forward Voltage Spec. Setup)

Unit : V

Groups								Bin	Min.	Max.	Groups			Bin	Min.	Max.	Groups			Bin	Min.	Max.			
0	1	2	3	4	5	6	7	8	D	P	A	G	9	6-1-1	2.95	3.05	6-1-1	2.95	3.00	6-1-1	3.00	3.05			
														6-1-2	3.05	3.15	6-1-2	3.00	3.05	6-2	3.05	3.15			
	7-1	3.15	3.25	6-2-1	3.05	3.10	7-1	3.15						3.25											
	7-2	3.25	3.35	6-2-2	3.10	3.15	7-2	3.25						3.35											
	8-1	3.35	3.45	7-1-1	3.15	3.20	8-1	3.35						3.45											
	8-2	3.45	3.55	7-1-2	3.20	3.25	8-2	3.45						3.50											
	9-1	3.55	3.65	7-2-1	3.25	3.30	9-1	3.55						3.65											
	9-2	3.65	3.75	7-2-2	3.30	3.35	9-2	3.65						3.75											
																				8-1-1	3.35	3.40			
																				8-1-2	3.40	3.45			

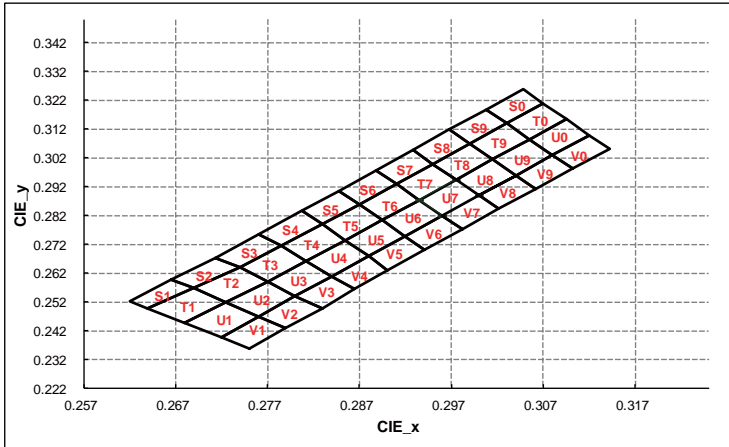
Groups											Bin	Min.	Max.		
W	S	R	L	N	B	C	K	H	E	Q	F	Y	4-2-3	2.7	2.8
													5-1-3	2.8	2.9
													5-2-3	2.9	3.0
													6-1-3	3.0	3.1
													6-2-3	3.1	3.2
													7-1-3	3.2	3.3
													7-2-3	3.3	3.4
													8-1-3	3.4	3.5

Note: Tolerance of Forward Voltage: $\pm 0.05V$.

TECHNICAL DATA

SMD LED (99-713 SERIES) BRIGHTNESS BIN SELECTION

Chromaticity Diagram



Bin Code of Chromaticity Coordinates

Bin	CIE_x	CIE_y	Bin	CIE_x	CIE_y	Bin	CIE_x	CIE_y	Bin	CIE_x	CIE_y	Bin	CIE_x	CIE_y		
S1	0.2665	0.2600	S2	0.2713	0.2675	S3	0.2740	0.2640	S4	0.2785	0.2715	S5	0.2830	0.2790		
	0.2690	0.2570		0.2740	0.2640		0.2713	0.2675		0.2760	0.2756		0.2807	0.2836		
	0.2640	0.2500		0.2690	0.2570		0.2760	0.2756		0.2807	0.2836		0.2830	0.2860		
	0.2620	0.2525		0.2665	0.2600		0.2785	0.2715		0.2830	0.2790		0.2870	0.2860		
T1	0.2680	0.2450	T2	0.2725	0.2520	T3	0.2770	0.2590	T4	0.2813	0.2663	T5	0.2855	0.2735		
	0.2640	0.2500		0.2690	0.2570		0.2740	0.2640		0.2785	0.2715		0.2830	0.2790	0.2830	0.2790
	0.2690	0.2570		0.2740	0.2640		0.2785	0.2715		0.2830	0.2790		0.2870	0.2860	0.2870	0.2860
	0.2725	0.2520		0.2770	0.2590		0.2813	0.2663		0.2855	0.2735		0.2895	0.2805	0.2895	0.2805
U1	0.2720	0.2400	U2	0.2760	0.2470	U3	0.2800	0.2540	U4	0.2840	0.2610	U5	0.2880	0.2680		
	0.2680	0.2450		0.2725	0.2520		0.2770	0.2590		0.2813	0.2663		0.2855	0.2735	0.2855	0.2735
	0.2725	0.2520		0.2770	0.2590		0.2813	0.2663		0.2855	0.2735		0.2895	0.2805	0.2895	0.2805
	0.2760	0.2470		0.2800	0.2540		0.2840	0.2610		0.2880	0.2680		0.2920	0.2750	0.2920	0.2750
V1	0.2750	0.2360	V2	0.2790	0.2430	V3	0.2830	0.2500	V4	0.2865	0.2565	V5	0.2900	0.2630		
	0.2720	0.2400		0.2760	0.2470		0.2800	0.2540		0.2840	0.2610		0.2880	0.2680	0.2880	0.2680
	0.2760	0.2470		0.2800	0.2540		0.2840	0.2610		0.2880	0.2680		0.2920	0.2750	0.2920	0.2750
	0.2790	0.2430		0.2830	0.2500		0.2865	0.2565		0.2900	0.2630		0.2941	0.2702	0.2941	0.2702
Bin	CIE_x	CIE_y	Bin	CIE_x	CIE_y	Bin	CIE_x	CIE_y	Bin	CIE_x	CIE_y	Bin	CIE_x	CIE_y		
S6	0.2870	0.2860	S7	0.2910	0.2930	S8	0.2950	0.3000	S9	0.2990	0.3070	S0	0.3030	0.3140		
	0.2848	0.2907		0.2888	0.2978		0.2928	0.3048		0.2968	0.3118		0.2968	0.3118	0.3008	0.3188
	0.2888	0.2978		0.2928	0.3048		0.2968	0.3118		0.2990	0.3070		0.3008	0.3188	0.3048	0.3258
	0.2910	0.2930		0.2950	0.3000		0.2990	0.3070		0.3030	0.3140		0.3030	0.3140	0.3070	0.3210
T6	0.2895	0.2805	T7	0.2935	0.2875	T8	0.2975	0.2945	T9	0.3015	0.3015	T0	0.3055	0.3085		
	0.2870	0.2860		0.2910	0.2930		0.2950	0.3000		0.2990	0.3070		0.2990	0.3070	0.3030	0.3140
	0.2910	0.2930		0.2950	0.3000		0.2990	0.3070		0.3015	0.3015		0.3030	0.3140	0.3070	0.3210
	0.2935	0.2875		0.2975	0.2945		0.3015	0.3015		0.3055	0.3085		0.3055	0.3085	0.3095	0.3155
U6	0.2920	0.2750	U7	0.2960	0.2820	U8	0.3000	0.2890	U9	0.3040	0.2960	U0	0.3080	0.3030		
	0.2895	0.2805		0.2935	0.2875		0.2975	0.2945		0.3015	0.3015		0.3015	0.3015	0.3055	0.3085
	0.2935	0.2875		0.2975	0.2945		0.3015	0.3015		0.3055	0.3085		0.3055	0.3085	0.3095	0.3155
	0.2960	0.2820		0.3000	0.2890		0.3040	0.2960		0.3080	0.3030		0.3080	0.3030	0.3120	0.3100
V6	0.2941	0.2702	V7	0.2982	0.2773	V8	0.3000	0.2890	V9	0.3062	0.2913	V0	0.3102	0.2983		
	0.2920	0.2750		0.2960	0.2820		0.3040	0.2960		0.3040	0.2960		0.3040	0.2960	0.3080	0.3030
	0.2960	0.2820		0.3000	0.2890		0.3062	0.2913		0.3080	0.3030		0.3080	0.3030	0.3120	0.3100
	0.2982	0.2773		0.3022	0.2843		0.3022	0.2843		0.3102	0.2983		0.3102	0.2983	0.3142	0.3053

Luminous Intensity Groups

Unit : mcd

Bin	Min.	Max.	Bin	Min.	Max.	Bin	Min.	Max.
01	500	600	1	0	50	45	0	100
02	600	630	2	50	100	46	100	200
03	630	660	3	100	150	47	200	300
04	660	690	4	150	200	48	300	400
05	690	720	5	200	250	49	400	500
06	720	750	28	250	300	50	500	600
07	750	780	29	300	350	51	600	700
08	780	810	30	350	400	52	700	800
09	810	840	31	400	450	H40	2100	2150
10	840	870	32	450	500	H41	2150	2200
11	870	900	33	500	550	H42	2200	2250
12	900	930	34	550	600	H43	2250	2300
13	930	960	35	600	650	H44	2300	2350
14	960	990	36	650	700	H45	2350	2400
15	990	1020	37	700	750	H46	2400	2450
16	1020	1050	38	750	800	H47	2450	2500
17	1050	1080	39	800	850	H48	2500	2550
18	1080	1110	40	850	900	H49	2550	2600
19	1110	1140	41	900	950	H50	2600	2650
20	1140	1170	42	950	1050	H51	2650	2700
21	1170	1200	43	1050	1150	H52	2700	2750

Note: Tolerance of Luminous Intensity: $\pm 7\%$.

Luminous Flux

Unit : lm

Bin	Min.	Max.
40	4.00	4.25
42	4.25	4.50
45	4.50	4.75
47	4.75	5.00
50	5.00	5.25
52	5.25	5.50
55	5.50	5.75
57	5.75	6.00
60	6.00	6.25
62	6.25	6.50
65	6.50	6.75
67	6.75	7.00
70	7.00	7.25
72	7.25	7.50
75	7.50	7.75
77	7.75	8.00
80	8.00	8.25
82	8.25	8.50

V_F (Forward Voltage Spec. Setup)

Unit : V

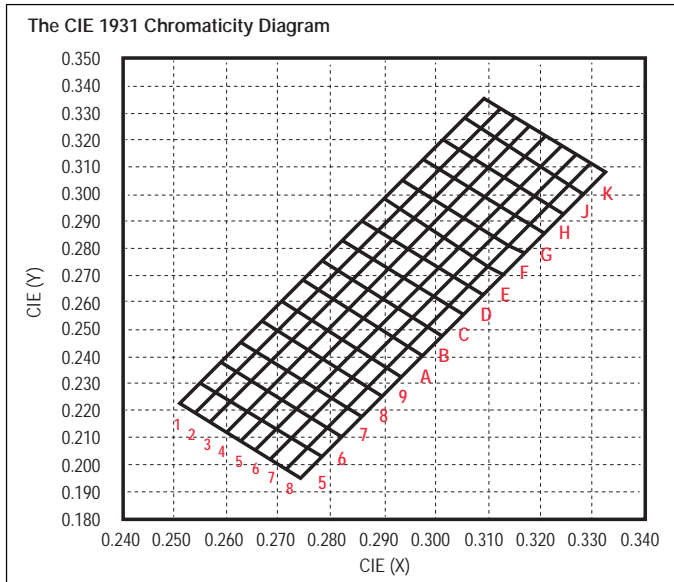
Bin	Min.	Max.
A	2.70	2.75
B	2.75	2.80
C	2.80	2.85
D	2.85	2.90
E	2.90	2.95
F	2.95	3.00
G	3.00	3.05
H	3.05	3.10
I	3.10	3.15
J	3.15	3.20
K	3.20	3.25
L	3.25	3.30
M	3.30	3.35
N	3.35	3.40
O	3.40	3.45
P	3.45	3.50
Q	3.50	3.55
R	3.55	3.60
S	3.60	3.65
T	3.65	3.70
U	3.70	3.75
V	3.75	3.80

Note: Tolerance of Forward Voltage: $\pm 0.05V$.

TECHNICAL DATA

SMD LED (50-315 SERIES) BRIGHTNESS BIN SELECTION

Chromaticity Diagram



Bin Code of Chromaticity Coordinates

Bin	CIE_x	CIE_y	Bin	CIE_x	CIE_y	Bin	CIE_x	CIE_y
A1	0.2731	0.2569	B1	0.2770	0.2644	C1	0.2809	0.2719
	0.2702	0.2603		0.2741	0.2678		0.2780	0.2753
	0.2741	0.2678		0.2780	0.2753		0.2819	0.2828
	0.2770	0.2644		0.2809	0.2719		0.2848	0.2794
A2	0.2760	0.2535	B2	0.2799	0.2610	C2	0.2838	0.2685
	0.2731	0.2569		0.2770	0.2644		0.2809	0.2719
	0.2770	0.2644		0.2809	0.2719		0.2848	0.2794
A3	0.2799	0.2610	B3	0.2838	0.2685	C3	0.2877	0.2760
	0.2789	0.2501		0.2828	0.2576		0.2867	0.2651
	0.2760	0.2535		0.2799	0.2610		0.2838	0.2685
A4	0.2799	0.2610	B4	0.2838	0.2685	C4	0.2906	0.2726
	0.2828	0.2576		0.2867	0.2651		0.2906	0.2726
	0.2856	0.2539		0.2895	0.2614		0.2934	0.2689
A5	0.2847	0.2433	B5	0.2885	0.2505	C5	0.2924	0.2580
	0.2818	0.2467		0.2856	0.2539		0.2895	0.2614
	0.2856	0.2539		0.2895	0.2614		0.2934	0.2689
A6	0.2885	0.2505	B6	0.2924	0.2580	C6	0.2963	0.2655
	0.2876	0.2399		0.2915	0.2474		0.2954	0.2549
	0.2847	0.2433		0.2885	0.2505		0.2924	0.2580
A7	0.2905	0.2365	B7	0.2944	0.2440	C7	0.2992	0.2621
	0.2876	0.2399		0.2915	0.2474		0.2954	0.2549
	0.2915	0.2474		0.2954	0.2549		0.2992	0.2621
A8	0.2944	0.2440	B8	0.2983	0.2515	C8	0.3021	0.2587
	0.2934	0.2331		0.2973	0.2406		0.3012	0.2481
	0.2905	0.2365		0.2944	0.2440		0.2983	0.2515
	0.2944	0.2440		0.2983	0.2515		0.3021	0.2587
	0.2973	0.2406		0.3012	0.2481		0.3051	0.2556

Bin	CIE_x	CIE_y	Bin	CIE_x	CIE_y	Bin	CIE_x	CIE_y	Bin	CIE_x	CIE_y	Bin	CIE_x	CIE_y	Bin	CIE_x	CIE_y							
D1	0.2848	0.2794	E1	0.2887	0.2869	F1	0.2926	0.2944	G1	0.2965	0.3019	H1	0.3004	0.3094	J1	0.3043	0.3169	K1	0.3082	0.3244				
	0.2819	0.2828		0.2858	0.2903		0.2897	0.2978		0.2936	0.3053		0.2975	0.3128		0.2975	0.3128		0.3014	0.3203	0.3053	0.3278	0.3092	0.3353
	0.2858	0.2903		0.2887	0.2869		0.2926	0.2944		0.2965	0.3019		0.3004	0.3094		0.3004	0.3094		0.3043	0.3169	0.3082	0.3244	0.3121	0.3319
D2	0.2877	0.2760	E2	0.2916	0.2835	F2	0.2955	0.2910	G2	0.2994	0.2985	H2	0.3033	0.3060	J2	0.3072	0.3135	K2	0.3111	0.3210				
	0.2848	0.2794		0.2887	0.2869		0.2926	0.2944		0.2965	0.3019		0.3004	0.3094		0.3004	0.3094		0.3043	0.3169	0.3082	0.3244	0.3121	0.3319
	0.2887	0.2869		0.2926	0.2944		0.2965	0.3019		0.2994	0.2985		0.3033	0.3060		0.3033	0.3060		0.3072	0.3135	0.3111	0.3210	0.3150	0.3285
D3	0.2906	0.2726	E3	0.2945	0.2801	F3	0.2984	0.2876	G3	0.3023	0.2951	H3	0.3062	0.3026	J3	0.3101	0.3101	K3	0.3140	0.3176				
	0.2877	0.2760		0.2916	0.2835		0.2955	0.2910		0.2994	0.2985		0.3033	0.3060		0.3033	0.3060		0.3072	0.3135	0.3111	0.3210	0.3150	0.3285
	0.2916	0.2835		0.2945	0.2801		0.2984	0.2876		0.3023	0.2951		0.3062	0.3026		0.3062	0.3026		0.3101	0.3101	0.3140	0.3176	0.3179	0.3251
D4	0.2945	0.2801	E4	0.2984	0.2876	F4	0.3023	0.2951	G4	0.3062	0.3026	H4	0.3101	0.3101	J4	0.3140	0.3176	K4	0.3179	0.3251				
	0.2934	0.2689		0.2973	0.2764		0.3012	0.2839		0.3051	0.2914		0.3090	0.2989		0.3090	0.2989		0.3129	0.3064	0.3168	0.3139	0.3207	0.3214
	0.2906	0.2726		0.2945	0.2801		0.2984	0.2876		0.3023	0.2951		0.3062	0.3026		0.3062	0.3026		0.3101	0.3101	0.3140	0.3176	0.3179	0.3251
D5	0.2945	0.2801	E5	0.2984	0.2876	F5	0.3023	0.2951	G5	0.3062	0.3026	H5	0.3101	0.3101	J5	0.3140	0.3176	K5	0.3179	0.3251				
	0.2934	0.2689		0.2973	0.2764		0.3012	0.2839		0.3051	0.2914		0.3090	0.2989		0.3090	0.2989		0.3129	0.3064	0.3168	0.3139	0.3207	0.3214
	0.2906	0.2726		0.2945	0.2801		0.2984	0.2876		0.3023	0.2951		0.3062	0.3026		0.3062	0.3026		0.3101	0.3101	0.3140	0.3176	0.3179	0.3251
D6	0.2945	0.2801	E6	0.2984	0.2876	F6	0.3023	0.2951	G6	0.3062	0.3026	H6	0.3101	0.3101	J6	0.3140	0.3176	K6	0.3179	0.3251				
	0.2934	0.2689		0.2973	0.2764		0.3012	0.2839		0.3051	0.2914		0.3090	0.2989		0.3090	0.2989		0.3129	0.3064	0.3168	0.3139	0.3207	0.3214
	0.2906	0.2726		0.2945	0.2801		0.2984	0.2876		0.3023	0.2951		0.3062	0.3026		0.3062	0.3026		0.3101	0.3101	0.3140	0.3176	0.3179	0.3251
D7	0.2945	0.2801	E7	0.2984	0.2876	F7	0.3023	0.2951	G7	0.3062	0.3026	H7	0.3101	0.3101	J7	0.3140	0.3176	K7	0.3179	0.3251				
	0.2934	0.2689		0.2973	0.2764		0.3012	0.2839		0.3051	0.2914		0.3090	0.2989		0.3090	0.2989		0.3129	0.3064	0.3168	0.3139	0.3207	0.3214
	0.2906	0.2726		0.2945	0.2801		0.2984	0.2876		0.3023	0.2951		0.3062	0.3026		0.3062	0.3026		0.3101	0.3101	0.3140	0.3176	0.3179	0.3251
D8	0.2945	0.2801	E8	0.2984	0.2876	F8	0.3023	0.2951	G8	0.3062	0.3026	H8	0.3101	0.3101	J8	0.3140	0.3176	K8	0.3179	0.3251				
	0.2934	0.2689		0.2973	0.2764		0.3012	0.2839		0.3051	0.2914		0.3090	0.2989		0.3090	0.2989		0.3129	0.3064	0.3168	0.3139	0.3207	0.3214
	0.2906	0.2726		0.2945	0.2801		0.2984	0.2876		0.3023	0.2951		0.3062	0.3026		0.3062	0.3026		0.3101	0.3101	0.3140	0.3176	0.3179	0.3251

Bin Code of Chromaticity Coordinates

Bin	CIE_x	CIE_y	Bin	CIE_x	CIE_y	Bin	CIE_x	CIE_y	Bin	CIE_x	CIE_y	Bin	CIE_x	CIE_y
51	0.2507	0.2228	61	0.2575	0.2269	71	0.2585	0.2378	81	0.2653	0.2419	91	0.2692	0.2494
	0.2536	0.2194		0.2546	0.2303		0.2614	0.2344		0.2624	0.2453		0.2663	0.2528
	0.2575	0.2269		0.2585	0.2378		0.2653	0.2419		0.2663	0.2528		0.2692	0.2494
	0.2546	0.2303		0.2614	0.2344		0.2624	0.2453		0.2692	0.2494		0.2731	0.2569
52	0.2536	0.2194	62	0.2604	0.2235	72	0.2614	0.2344	82	0.2682	0.2385	92	0.2721	0.2460
	0.2565	0.2160		0.2575	0.2269		0.2643	0.2310		0.2653	0.2419		0.2692	0.2494
	0.2604	0.2235		0.2614	0.2344		0.2682	0.2385		0.2692	0.2494		0.2731	0.2569
	0.2575	0.2269		0.2643	0.2310		0.2653	0.2419		0.2721	0.2460		0.2760	0.2535
53	0.2565	0.2160	63	0.2633	0.2201	73	0.2643	0.2310	83	0.2711	0.2351	93	0.2750	0.2426
	0.2594	0.2126		0.2604	0.2235		0.2672	0.2276		0.2682	0.2385		0.2721	0.2460
	0.2633	0.2201		0.2643	0.2310		0.2711	0.2351		0.2721	0.2460		0.2760	0.2535
	0.2604	0.2235		0.2672	0.2276		0.2682	0.2385		0.2750	0.2426		0.2789	0.2501
54	0.2594	0.2126	64	0.2662	0.2167	74	0.2672	0.2276	84	0.2740	0.2317	94	0.2779	0.2392
	0.2623	0.2092		0.2633	0.2201		0.2701	0.2242		0.2711	0.2351		0.2750	0.2426
	0.2662	0.2167		0.2672	0.2276		0.2740	0.2317		0.2779	0.2392		0.2818	0.2467
	0.2633	0.2201		0.2701	0.2242		0.2711	0.2351		0.2769	0.2283		0.2808	0.2358
55	0.2623	0.2092	65	0.2691	0.2133	75	0.2701	0.2242	85	0.2769	0.2283	95	0.2818	0.2467
	0.2652	0.2058		0.2662	0.2167		0.2730	0.2208		0.2740	0.2317		0.2779	0.2392
	0.2691	0.2133		0.2701	0.2242		0.2769	0.2283		0.2808	0.2358		0.2847	0.2433
	0.2662	0.2167		0.2730	0.2208		0.2740	0.2317		0.2798	0.2249		0.2837	0.2324
56	0.2652	0.2058	66	0.2720	0.2099	76	0.2730	0.2208	86	0.2798	0.2249	96	0.2837	0.2324
	0.2681	0.2024		0.2691	0.2133		0.2759	0.2174		0.2769	0.2283		0.2808	0.2358
	0.2720	0.2099		0.2730	0.2208		0.2798	0.2249		0.2808	0.2358		0.2847	0.2433
	0.2691	0.2133		0.2759	0.2174		0.2769	0.2283		0.2837	0.2324		0.2876	0.2399
57	0.2681	0.2024	67	0.2749	0.2065	77	0.2759	0.2174	87	0.2827	0.2215	97	0.2866	0.2290
	0.2710	0.1990		0.2720	0.2099		0.2788	0.2140		0.2798	0.2249		0.2837	0.2324
	0.2749	0.2065		0.2759	0.2174		0.2827	0.2215		0.2837	0.2324		0.2876	0.2399
	0.2720	0.2099		0.2788	0.2140		0.2798	0.2249		0.2866	0.2290		0.2905	0.2365
58	0.2710	0.1990	68	0.2778	0.2031	78	0.2788	0.2140	88	0.2856	0.2181	98	0.2895	0.2256
	0.2739	0.1956		0.2749	0.2065		0.2817	0.2106		0.2827	0.2215		0.2866	0.2290
	0.2778	0.2031		0.2788	0.2140		0.2856	0.2181		0.2866	0.2290		0.2905	0.2365
	0.2749	0.2065		0.2817	0.2106		0.2827	0.2215		0.2895	0.2256		0.2934	0.2331

Luminous Flux

Unit : lm

Bin	Min.	Max.
L11	11.00	12.00
L12	12.00	13.00
L13	13.00	14.00
L14	14.00	15.00
L15	15.00	16.00
L16	16.00	17.00
L17	17.00	18.00
L18	18.00	19.00
L19	19.00	20.00
L20	20.00	21.00
L21	21.00	22.00

Note: Tolerance of Luminous Intensity: ±7%.

V_F (Forward Voltage Spec. Setup)

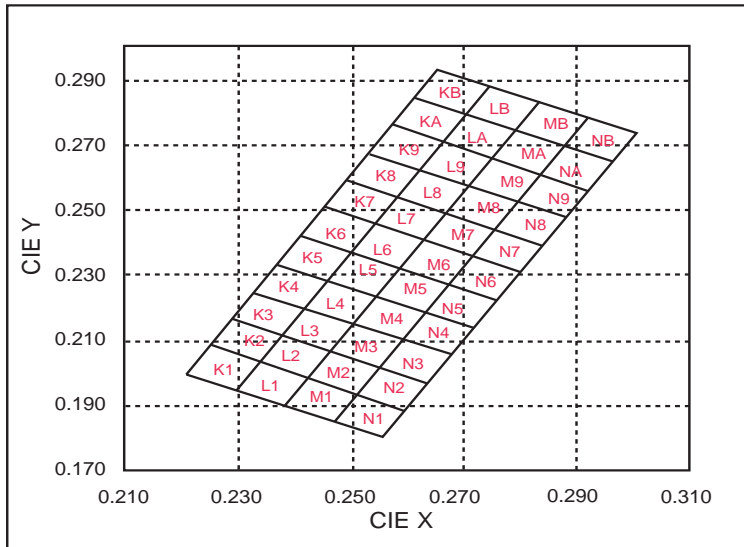
Unit : V

Groups					Bin	Min.	Max.	
K	H	E	Q	F	Y	4-2-3	2.7	2.8
					5-1-3	2.8	2.9	
					5-2-3	2.9	3.0	
					6-1-3	3.0	3.1	
					6-2-3	3.1	3.2	
					7-1-3	3.2	3.3	
					7-2-3	3.3	3.4	

TECHNICAL DATA

SMD LED (62 SERIES) BRIGHTNESS BIN SELECTION

Chromaticity Diagram



Bin Code of Chromaticity Coordinates

Bin	CIE_x	CIE_y	Bin	CIE_x	CIE_y	Bin	CIE_x	CIE_y	Bin	CIE_x	CIE_y	Bin	CIE_x	CIE_y	Bin	CIE_x	CIE_y	Bin	CIE_x	CIE_y				
K1	0.2247	0.2082	K2	0.2288	0.2166	K3	0.2329	0.2250	K4	0.2457	0.2287	K5	0.2410	0.2419	K6	0.2451	0.2504	K7	0.2492	0.2588				
	0.2206	0.1997		0.2247	0.2082		0.2288	0.2166		0.2416	0.2202		0.2370	0.2335		0.2410	0.2419		0.2451	0.2504				
	0.2293	0.1949		0.2334	0.2034		0.2375	0.2118		0.2329	0.2250		0.2370	0.2335		0.2457	0.2288		0.2497	0.2371	0.2538	0.2456	0.2579	0.2540
	0.2334	0.2034		0.2375	0.2118		0.2416	0.2202		0.2370	0.2335		0.2497	0.2371		0.2538	0.2456		0.2579	0.2540				
L1	0.2334	0.2034	L2	0.2375	0.2118	L3	0.2416	0.2202	L4	0.2544	0.2239	L5	0.2497	0.2371	L6	0.2538	0.2456	L7	0.2579	0.2540				
	0.2293	0.1949		0.2334	0.2034		0.2375	0.2118		0.2503	0.2154		0.2457	0.2287		0.2497	0.2371		0.2538	0.2456	0.2579	0.2540		
	0.2380	0.1901		0.2421	0.1986		0.2462	0.2070		0.2416	0.2202		0.2544	0.2239		0.2497	0.2371		0.2538	0.2456	0.2579	0.2540		
	0.2421	0.1986		0.2462	0.2070		0.2503	0.2154		0.2457	0.2287		0.2544	0.2239		0.2497	0.2371		0.2538	0.2456	0.2579	0.2540		
M1	0.2421	0.1986	M2	0.2462	0.2070	M3	0.2503	0.2154	M4	0.2631	0.2191	M5	0.2584	0.2323	M6	0.2625	0.2408	M7	0.2666	0.2492				
	0.2380	0.1901		0.2421	0.1986		0.2462	0.2070		0.2590	0.2106		0.2544	0.2239		0.2497	0.2371		0.2538	0.2456	0.2579	0.2540		
	0.2467	0.1853		0.2508	0.1938		0.2549	0.2022		0.2503	0.2154		0.2631	0.2191		0.2584	0.2323		0.2625	0.2408	0.2666	0.2492		
	0.2508	0.1938		0.2549	0.2022		0.2590	0.2106		0.2544	0.2239		0.2631	0.2191		0.2584	0.2323		0.2625	0.2408	0.2666	0.2492		
N1	0.2508	0.1938	N2	0.2549	0.2022	N3	0.2590	0.2106	N4	0.2718	0.2143	N5	0.2671	0.2275	N6	0.2712	0.2360	N7	0.2753	0.2444				
	0.2467	0.1853		0.2508	0.1938		0.2549	0.2022		0.2590	0.2106		0.2677	0.2058		0.2631	0.2191		0.2671	0.2275	0.2712	0.2360	0.2753	0.2444
	0.2554	0.1805		0.2595	0.1890		0.2636	0.1974		0.2636	0.1974		0.2677	0.2058		0.2631	0.2191		0.2671	0.2275	0.2712	0.2360	0.2753	0.2444
	0.2595	0.1890		0.2636	0.1974		0.2677	0.2058		0.2631	0.2191		0.2677	0.2058		0.2631	0.2191		0.2671	0.2275	0.2712	0.2360	0.2753	0.2444

Bin	CIE_x	CIE_y	Bin	CIE_x	CIE_y	Bin	CIE_x	CIE_y	Bin	CIE_x	CIE_y		
K8	0.2533	0.2672	K9	0.2574	0.2757	KA	0.2615	0.2842	KB	0.2656	0.2927		
	0.2492	0.2588		0.2533	0.2672		0.2574	0.2757		0.2615	0.2842		
	0.2579	0.2540		0.2620	0.2624		0.2661	0.2709		0.2702	0.2794	0.2702	0.2794
	0.2620	0.2624		0.2661	0.2709		0.2702	0.2794		0.2743	0.2879	0.2743	0.2879
L8	0.2620	0.2624	L9	0.2661	0.2709	LA	0.2702	0.2794	LB	0.2743	0.2879		
	0.2579	0.2540		0.2620	0.2624		0.2661	0.2709		0.2702	0.2794	0.2702	0.2794
	0.2666	0.2492		0.2707	0.2576		0.2748	0.2661		0.2789	0.2746	0.2789	0.2746
	0.2707	0.2576		0.2748	0.2661		0.2789	0.2746		0.2830	0.2831	0.2830	0.2831
M8	0.2707	0.2576	M9	0.2748	0.2661	MA	0.2789	0.2746	MB	0.2830	0.2831		
	0.2666	0.2492		0.2707	0.2576		0.2748	0.2661		0.2789	0.2746	0.2789	0.2746
	0.2753	0.2444		0.2794	0.2528		0.2835	0.2613		0.2876	0.2698	0.2876	0.2698
	0.2794	0.2528		0.2835	0.2613		0.2876	0.2698		0.2917	0.2783	0.2917	0.2783
N8	0.2794	0.2528	N9	0.2835	0.2613	NA	0.2876	0.2698	NB	0.2917	0.2783		
	0.2753	0.2444		0.2794	0.2528		0.2835	0.2613		0.2876	0.2698	0.2876	0.2698
	0.2840	0.2396		0.2881	0.2480		0.2922	0.2565		0.2963	0.2650	0.2963	0.2650
	0.2881	0.2480		0.2922	0.2565		0.2963	0.2650		0.3004	0.2735	0.3004	0.2735

Luminous Flux

Unit : lm

1 lm / Bin									2 lm / Bin					
Bin	CIE_x	CIE_y	Bin	CIE_x	CIE_y	Bin	CIE_x	CIE_y	Bin	CIE_x	CIE_y	Bin	CIE_x	CIE_y
18	18	19	18	18	19	18	18	19	T18	18	20	T50	50	52
19	19	20	19	19	20	19	19	20	T20	20	22	T52	52	54
20	20	21	20	20	21	20	20	21	T22	22	24	T54	54	56
21	21	22	21	21	22	21	21	22	T24	24	26	T56	56	58
22	22	23	22	22	23	22	22	23	T26	26	28	T58	58	60
23	23	24	23	23	24	23	23	24	T28	28	30	T60	60	62
24	24	25	24	24	25	24	24	25	T30	30	32	T62	62	64
25	25	26	25	25	26	25	25	26	T32	32	34	T64	64	66
26	26	27	26	26	27	26	26	27	T34	34	36	T66	66	68
27	27	28	27	27	28	27	27	28	T36	36	38	T68	68	70
28	28	29	28	28	29	28	28	29	T38	38	40	T70	70	72
29	29	30	29	29	30	29	29	30	T40	40	42	T72	72	74
30	30	31	30	30	31	30	30	31	T42	42	44	T74	74	76
31	31	32	31	31	32	31	31	32	T44	44	46	T76	76	78
32	32	33	32	32	33	32	32	33	T46	46	48	T78	78	80
33	33	34	33	33	34	33	33	34	T48	48	50	T80	80	82

Note: Tolerance of Luminous Intensity: $\pm 7\%$.

V_F (Forward Voltage Spec. Setup)

Unit : V

Single Chip			Two Chips					
Bin	Min.	Max.	Parallel			Serial		
			Bin	Min.	Max.	Bin	Min.	Max.
A	2.9	3.0	PA	2.9	3.0	S8	5.8	6.0
B	3.0	3.1	PB	3.0	3.1	S9	6.0	6.2
C	3.1	3.2	PC	3.1	3.2	SA	6.2	6.4
D	3.2	3.3	PD	3.2	3.3	SB	6.4	6.6
E	3.3	3.4	PE	3.3	3.4	SC	6.6	6.8
F	3.4	3.5	PF	3.4	3.5	SD	6.8	7.0
G	3.5	3.6	PG	3.5	3.6	SE	7.0	7.2

Note: Tolerance of Forward Voltage: $\pm 0.05V$.

TECHNICAL DATA

LED LAMPs BRIGHTNESS BIN SELECTION

Brightness Bin Selection

Unit : mcd

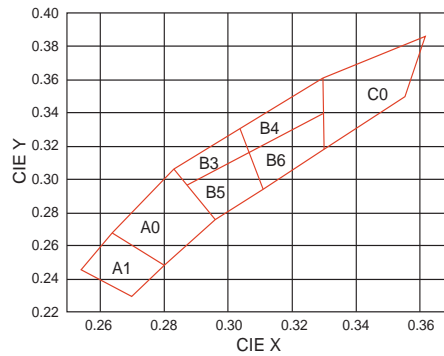
Item	Intensity Iv (mcd)	
Bin Code	Min.	Max.
a7	6.0	8.0
a6	8.0	10.0
a5	10.0	12.0
a4	12.0	15.0
a3	15.0	18.0
a2	18.0	22.0
a1	22.0	28.0
0	28.0	35.0
1	35.0	42.0
2	42.0	50.0
3	50.0	60.0
4	60.0	70.0
5	70.0	85.0
6	85.0	100
7	100	120
8	120	140
9	140	170
A	170	200
B	200	240
C	240	285
D	285	360
E	360	450
F	450	565
G	565	715
H	715	900
J	900	1,125
K	1,125	1,425
L	1,425	1,800
M	1,800	2,250
N	2,250	2,850
P	2,850	3,600
Q	3,600	4,500
R	4,500	5,650
S	5,650	7,150
T	7,150	9,000
U	9,000	11,250
V	11,250	14,250
W	14,250	18,000
X	18,000	22,500
Y	22,500	28,500
Z	28,500	36,000

Cool White / CIE Chromaticity Diagram

($I_f=20\text{mA}$ / $T_a=25^\circ\text{C}$)

Color Ranks		CIE			
A1	X	0.255	0.264	0.280	0.270
	Y	0.245	0.267	0.248	0.230
A0	X	0.264	0.283	0.296	0.280
	Y	0.267	0.305	0.267	0.248
B3	X	0.283	0.304	0.307	0.287
	Y	0.305	0.330	0.315	0.295
B4	X	0.304	0.330	0.330	0.307
	Y	0.330	0.360	0.339	0.315
B5	X	0.287	0.307	0.311	0.296
	Y	0.295	0.315	0.294	0.276
B6	X	0.307	0.330	0.330	0.311
	Y	0.315	0.339	0.318	0.294
C0	X	0.330	0.361	0.355	0.330
	Y	0.360	0.385	0.350	0.318

Note: Measurement uncertainty of the color coordinates ± 0.01 .

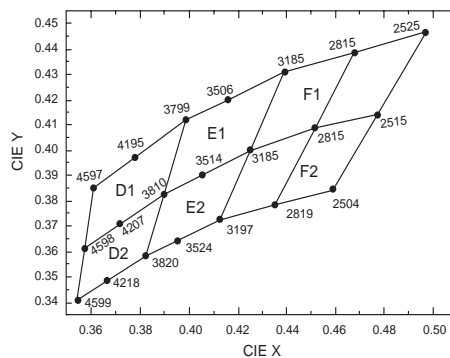


Warm White / CIE Chromaticity Diagram

($I_f=20\text{mA}$ / $T_a=25^\circ\text{C}$)

Color Ranks		CIE			
D1	X	0.357	0.361	0.398	0.389
	Y	0.361	0.385	0.411	0.382
D2	X	0.354	0.357	0.389	0.382
	Y	0.340	0.361	0.382	0.358
E1	X	0.389	0.398	0.439	0.425
	Y	0.382	0.411	0.431	0.400
E2	X	0.382	0.389	0.425	0.412
	Y	0.358	0.382	0.400	0.372
F1	X	0.425	0.439	0.497	0.477
	Y	0.400	0.431	0.466	0.413
F2	X	0.412	0.425	0.477	0.458
	Y	0.372	0.400	0.413	0.383

Note: Measurement uncertainty of the color coordinates ± 0.01 .

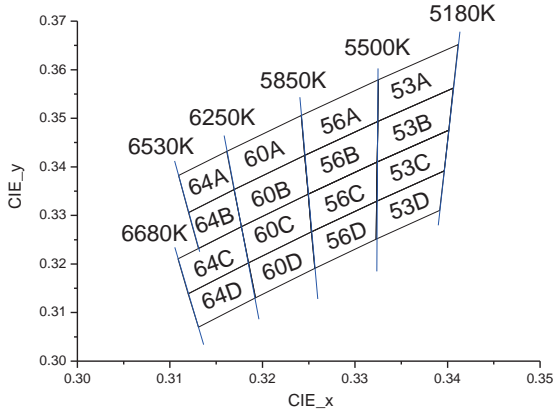


DIGITAL DISPLAY BRIGHTNESS BIN SELECTION

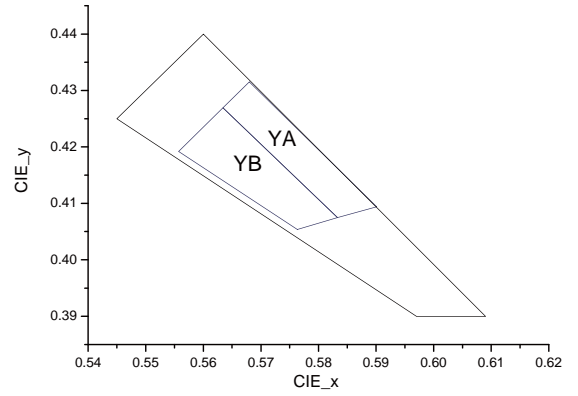
Bin Code	Brightness Range (μcd)	
	Min.	Max.
C	70	140
D	110	220
E	180	360
F	280	560
G	450	900
H	750	1200
J	1050	1680
K	1400	2300
L	2000	3200
M	2800	4500
N	4000	6400
P	5600	8900
Q	7800	12500
R	11000	17600
S	15000	24000
T	21000	34000
U	30000	48000
V	42000	67000
W	59000	94000
X	83000	133000
Y	116000	186000
Z	158800	254000

AUTOMOTIVE BIN SELECTION

Exterior White / Cool-White Bin Structure



Amber Bin Structure



Cool-White Bin Coordinates

Bin	CIE X	CIE Y	Bin	CIE X	CIE Y	Bin	CIE X	CIE Y
64A	0.3109	0.3382	60C	0.3177	0.3277	53A	0.3325	0.3579
	0.3161	0.3432		0.3249	0.3344		0.3412	0.3652
	0.3169	0.3353		0.3253	0.3266		0.3406	0.3562
	0.3120	0.3306		0.3185	0.3203		0.3325	0.3493
Reference Range: 6240~6530K			Reference Range: 5850~6240K			Reference Range: 5180~5500K		
64B	0.3120	0.3306	60D	0.3185	0.3203	53B	0.3325	0.3493
	0.3169	0.3353		0.3253	0.3266		0.3406	0.3562
	0.3177	0.3277		0.3256	0.3191		0.3401	0.3476
	0.3131	0.3232		0.3192	0.3131		0.3324	0.3410
Reference Range: 6240~6530K			Reference Range: 5850~6240K			Reference Range: 5180~5500K		
64C	0.3109	0.3211	56A	0.3242	0.3506	53C	0.3324	0.3410
	0.3177	0.3277		0.3325	0.3579		0.3401	0.3476
	0.3185	0.3203		0.3325	0.3493		0.3396	0.3392
	0.3120	0.3139		0.3246	0.3424		0.3323	0.3329
Reference Range: 6240~6680K			Reference Range: 5500~5850K			Reference Range: 5180~5500K		
64D	0.3120	0.3139	56B	0.3246	0.3424	53D	0.3323	0.3329
	0.3185	0.3203		0.3325	0.3493		0.3396	0.3392
	0.3192	0.3131		0.3324	0.3410		0.3392	0.3310
	0.3131	0.3070		0.3249	0.3344		0.3323	0.3251
Reference Range: 6240~6680K			Reference Range: 5500~5850K			Reference Range: 5180~5500K		
60A	0.3161	0.3432	56C	0.3249	0.3344			
	0.3242	0.3506		0.3324	0.3410			
	0.3246	0.3424		0.3323	0.3329			
	0.3169	0.3353		0.3253	0.3266			
Reference Range: 5850~6240K			Reference Range: 5500~5850K					
60B	0.3169	0.3353	56D	0.3253	0.3266			
	0.3246	0.3424		0.3323	0.3329			
	0.3249	0.3344		0.3323	0.3251			
	0.3177	0.3277		0.3256	0.3191			
Reference Range: 5850~6240K			Reference Range: 5500~5850K					

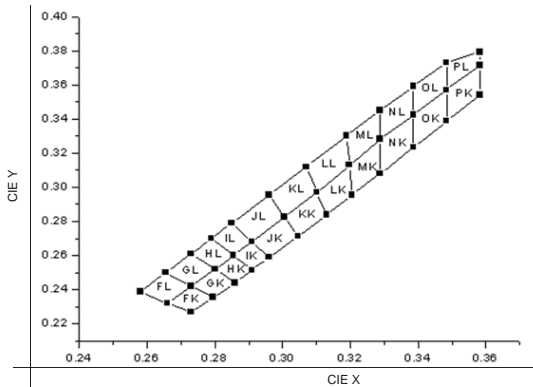
Amber Bin Coordinates

Bin	CIE X	CIE Y
YA	0.5680	0.4315
	0.5634	0.4269
	0.5833	0.4075
	0.5901	0.4094
YB	0.5763	0.4054
	0.5833	0.4075
	0.5634	0.4269
	0.5557	0.4192

TECHNICAL DATA

AUTOMOTIVE BIN SELECTION

Interior / White



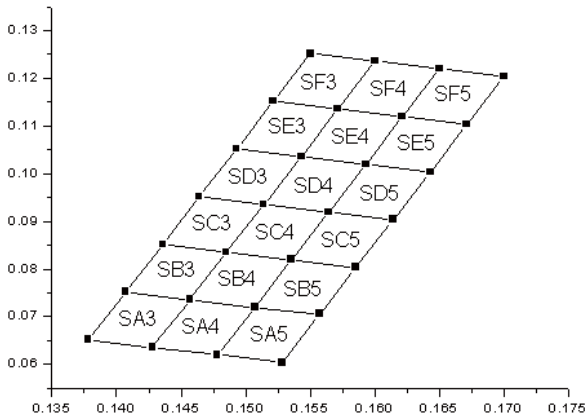
Bin Range of Chromaticity Coordinates Specifications

Bin Code	CIE X	CIE Y	Bin Code	CIE X	CIE Y	Bin Code	CIE X	CIE Y
FK	0.2660	0.2320	FL	0.2580	0.2390	HL	0.2730	0.2610
	0.2730	0.2420		0.2660	0.2320		0.2800	0.2520
	0.2795	0.2355		0.2730	0.2420		0.2855	0.2600
	0.2730	0.2270		0.2655	0.2500		0.2790	0.2700
GL	0.2655	0.2500	HK	0.2800	0.2520	JK	0.2910	0.2680
	0.2730	0.2610		0.2860	0.2440		0.3005	0.2825
	0.2800	0.2520		0.2910	0.2515		0.3045	0.2715
	0.2730	0.2420		0.2855	0.2600		0.2960	0.2590
IK	0.2855	0.2600	IL	0.2790	0.2700	KL	0.2960	0.2955
	0.2910	0.2680		0.2855	0.2600		0.3070	0.3120
	0.2960	0.2590		0.2910	0.2680		0.3100	0.2970
	0.2910	0.2515		0.2850	0.2790		0.3005	0.2825
JL	0.2850	0.2790	KK	0.3005	0.2825	NK	0.3288	0.3081
	0.2960	0.2955		0.3100	0.2970		0.3386	0.3235
	0.3005	0.2825		0.3130	0.2840		0.3386	0.3426
	0.2910	0.2680		0.3045	0.2715		0.3288	0.3282
LK	0.3100	0.2970	MK	0.3197	0.3131	LL	0.3070	0.3120
	0.3197	0.3131		0.3205	0.2956		0.3189	0.3302
	0.3205	0.2956		0.3288	0.3081		0.3197	0.3131
	0.3130	0.2840		0.3288	0.3282		0.3100	0.2970
OK	0.3386	0.3235	PK	0.3484	0.3388	OL	0.3386	0.3426
	0.3484	0.3388		0.3582	0.3542		0.3484	0.3571
	0.3484	0.3571		0.3582	0.3715		0.3484	0.3730
	0.3386	0.3426		0.3484	0.3571		0.3386	0.3591
ML	0.3189	0.3302	NL	0.3288	0.3282			
	0.3197	0.3131		0.3386	0.3426			
	0.3288	0.3282		0.3386	0.3591			
	0.3288	0.3452		0.3288	0.3453			
PL	0.3484	0.3571	GK	0.2730	0.2420			
	0.3582	0.3715		0.2800	0.2520			
	0.3582	0.3792		0.2860	0.2440			
	0.3484	0.3730		0.2795	0.2355			

Notes: Tolerance of Chromaticity Coordinates: ± 0.01

AUTOMOTIVE BIN SELECTION

Interior / Sky Blue

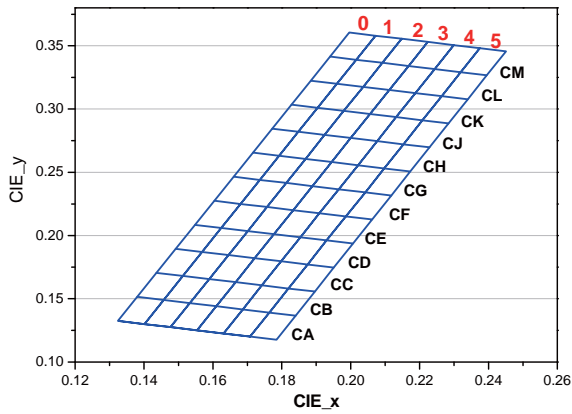


Bin Range of Chromaticity Coordinates Specifications

Bin Code	CIE X	CIE Y	Bin Code	CIE X	CIE Y	Bin Code	CIE X	CIE Y
SA3	0.1378	0.0652	SB4	0.1457	0.0736	SC5	0.1535	0.0820
	0.1407	0.0752		0.1485	0.0836		0.1564	0.0920
	0.1457	0.0736		0.1535	0.0820		0.1614	0.0904
	0.1428	0.0636		0.1507	0.0720		0.1585	0.0804
SD3	0.1464	0.0952	SE4	0.1543	0.1036	SF5	0.1621	0.1120
	0.1493	0.1052		0.1571	0.1136		0.1650	0.1220
	0.1543	0.1036		0.1621	0.1120		0.1700	0.1204
	0.1514	0.0936		0.1593	0.1020		0.1671	0.1104
SA4	0.1428	0.0636	SB5	0.1507	0.0720			
	0.1457	0.0736		0.1535	0.0820			
	0.1507	0.0720		0.1585	0.0804			
	0.1478	0.0620		0.1557	0.0706			
SD4	0.1514	0.0936	SE5	0.1593	0.1020			
	0.1543	0.1036		0.1621	0.1120			
	0.1593	0.1020		0.1671	0.1104			
	0.1564	0.0920		0.1643	0.1004			
SA5	0.1478	0.0620	SC3	0.1436	0.0852			
	0.1507	0.0720		0.1464	0.0952			
	0.1557	0.0706		0.1514	0.0936			
	0.1528	0.0604		0.1485	0.0836			
SD5	0.1564	0.0920	SF3	0.1521	0.1152			
	0.1593	0.1020		0.1550	0.1252			
	0.1643	0.1004		0.1600	0.1236			
	0.1614	0.0904		0.1571	0.1136			
SB3	0.1407	0.0752	SC4	0.1485	0.0836			
	0.1436	0.0852		0.1514	0.0936			
	0.1485	0.0836		0.1564	0.0920			
	0.1457	0.0736		0.1535	0.0820			
SE3	0.1493	0.1052	SF4	0.1571	0.1136			
	0.1521	0.1152		0.1600	0.1236			
	0.1571	0.1136		0.1650	0.1220			
	0.1543	0.1036		0.1621	0.1120			

AUTOMOTIVE BIN SELECTION

Interior / Ice Blue



Bin Range of Chromaticity Coordinates Specifications

Bin Code	CIE X	CIE Y	Bin Code	CIE X	CIE Y
CM0	0.1940	0.3415	CL3	0.2112	0.3151
	0.1996	0.3605		0.2168	0.3341
	0.2072	0.3580		0.2244	0.3316
	0.2016	0.3390		0.2188	0.3126
CM1	0.2016	0.3390	CL4	0.2188	0.3126
	0.2072	0.3580		0.2244	0.3316
	0.2148	0.3556		0.2319	0.3291
	0.2092	0.3366		0.2264	0.3101
CM2	0.2092	0.3366	CL5	0.2264	0.3101
	0.2148	0.3556		0.2319	0.3291
	0.2224	0.3531		0.2395	0.3267
	0.2168	0.3341		0.2340	0.3077
CM3	0.2168	0.3341	CK0	0.1828	0.3035
	0.2224	0.3531		0.1884	0.3225
	0.2299	0.3506		0.1960	0.3200
	0.2244	0.3316		0.1904	0.3010
CM4	0.2244	0.3316	CK1	0.1904	0.3010
	0.2299	0.3506		0.1960	0.3200
	0.2375	0.3481		0.2036	0.3176
	0.2319	0.3291		0.1980	0.2986
CM5	0.2319	0.3291	CK2	0.1980	0.2986
	0.2375	0.3481		0.2036	0.3176
	0.2451	0.3457		0.2112	0.3151
	0.2395	0.3267		0.2056	0.2961
CL0	0.1884	0.3225	CK3	0.2056	0.2961
	0.1940	0.3415		0.2112	0.3151
	0.2016	0.3390		0.2188	0.3126
	0.1960	0.3200		0.2132	0.2936

Bin Code	CIE X	CIE Y	Bin Code	CIE X	CIE Y
CL1	0.1960	0.3200	CK4	0.2132	0.2936
	0.2016	0.3390		0.2188	0.3126
	0.2092	0.3366		0.2264	0.3101
	0.2036	0.3176		0.2208	0.2911
CL2	0.2036	0.3176	CK5	0.2208	0.2911
	0.2092	0.3366		0.2264	0.3101
	0.2168	0.3341		0.2340	0.3077
	0.2112	0.3151		0.2284	0.2887
CJ0	0.1772	0.2845	CH3	0.1945	0.2581
	0.1828	0.3035		0.2000	0.2771
	0.1904	0.3010		0.2077	0.2746
	0.1848	0.2820		0.2021	0.2556
CJ1	0.1848	0.2820	CH4	0.2021	0.2556
	0.1904	0.3010		0.2077	0.2746
	0.1980	0.2986		0.2153	0.2721
	0.1924	0.2796		0.2097	0.2531
CJ2	0.1924	0.2796	CH5	0.2097	0.2531
	0.1980	0.2986		0.2153	0.2721
	0.2056	0.2961		0.2229	0.2697
	0.2000	0.2771		0.2173	0.2507
CJ3	0.2000	0.2771	CG0	0.1660	0.2465
	0.2056	0.2961		0.1716	0.2655
	0.2132	0.2936		0.1792	0.2630
	0.2077	0.2746		0.1736	0.2440
CJ4	0.2077	0.2746	CG1	0.1736	0.2440
	0.2132	0.2936		0.1792	0.2630
	0.2208	0.2911		0.1869	0.2606
	0.2153	0.2721		0.1813	0.2416
CJ5	0.2153	0.2721	CG2	0.1813	0.2416
	0.2208	0.2911		0.1869	0.2606
	0.2284	0.2887		0.1945	0.2581
	0.2229	0.2697		0.1889	0.2391
CH0	0.1716	0.2655	CG3	0.1889	0.2391
	0.1772	0.2845		0.1945	0.2581
	0.1848	0.2820		0.2021	0.2556
	0.1792	0.2630		0.1965	0.2366
CH1	0.1792	0.2630	CG4	0.1965	0.2366
	0.1848	0.2820		0.2021	0.2556
	0.1924	0.2796		0.2097	0.2531
	0.1869	0.2606		0.2043	0.2341
CH2	0.1869	0.2606	CG5	0.2043	0.2341
	0.1924	0.2796		0.2097	0.2531
	0.2000	0.2771		0.2173	0.2507
	0.1945	0.2581		0.2118	0.2317



VISIBLE LED

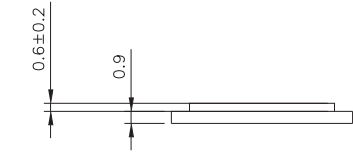
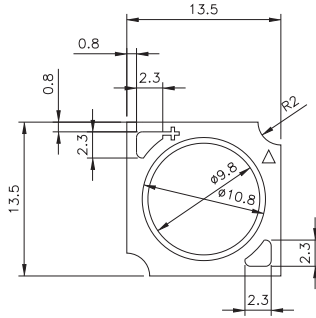
- 42** COB/Multi-chips
- 56** HIGH POWER LED
- 69** LOW MIDDLE POWER LED
- 80** FLASH LED
- 86** SMD LED
- 118** LED LAMPs
- 137** LED DIGITAL DISPLAYs
- 154** SIGNAGE LED
- 161** AUTOMOTIVE LED
- 176** BACKLIGHT

COB / Multi-chips | XUAN1313 Series

COB / Multi-chips



UNIT : mm



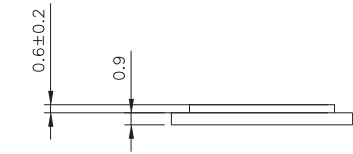
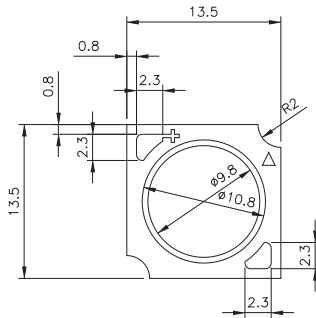
12series x 1parallel

3W / 36V

Product	Size (LxWxHmm)	Forward Voltage (V)	Forward Current (mA)	Color	CCT (K)	Luminous Flux (lm)		CRI (min.)	Luminous Efficacy (lm/W)
						Min.	TYP		
XUAN1313-KM273K6-36103-091T	13.5x13.5.1.6	33.0~41.0	90	● Warm White	2700	365	405	80	125
XUAN1313-KM303K7-36103-091T	13.5x13.5.1.6	33.0~41.0	90	● Warm White	3000	390	430	80	133
XUAN1313-KM353K8-36103-091T	13.5x13.5.1.6	33.0~41.0	90	● Warm White	3500	400	440	80	136
XUAN1313-KM403K9-36103-091T	13.5x13.5.1.6	33.0~41.0	90	○ Neutral White	4000	410	450	80	139
XUAN1313-KT505N1-36103-091T	13.5x13.5.1.6	33.0~41.0	90	○ Cool White	5000	420	465	80	144
XUAN1313-KT575N2-36103-091T	13.5x13.5.1.6	33.0~41.0	90	○ Cool White	5700	430	470	80	145
XUAN1313-KT655N2-36103-091T	13.5x13.5.1.6	33.0~41.0	90	○ Cool White	6500	430	470	80	145



UNIT : mm



12series x 2parallel

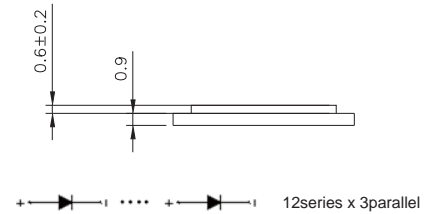
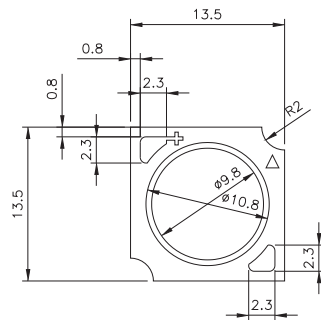
6W / 36V

Product	Size (LxWxHmm)	Forward Voltage (V)	Forward Current (mA)	Color	CCT (K)	Luminous Flux (lm)		CRI (min.)	Luminous Efficacy (lm/W)
						Min.	TYP		
XUAN1313-KM273N7-36206-091T	13.5x13.5.1.6	33.0~41.0	180	● Warm White	2700	720	790	80	121.9
XUAN1313-KM303N8-36206-091T	13.5x13.5.1.6	33.0~41.0	180	● Warm White	3000	760	835	80	128.9
XUAN1313-KM353N9-36206-091T	13.5x13.5.1.6	33.0~41.0	180	● Warm White	3500	780	855	80	131.9
XUAN1313-KM403P1-36206-091T	13.5x13.5.1.6	33.0~41.0	180	○ Neutral White	4000	800	880	80	135.8
XUAN1313-KT505P2-36206-091T	13.5x13.5.1.6	33.0~41.0	180	○ Cool White	5000	830	910	80	140.4
XUAN1313-KT575P2-36206-091T	13.5x13.5.1.6	33.0~41.0	180	○ Cool White	5700	830	920	80	142.0
XUAN1313-KT655P2-36206-091T	13.5x13.5.1.6	33.0~41.0	180	○ Cool White	6500	830	920	80	142.0

COB / Multi-chips | XUAN1313 Series



UNIT : mm

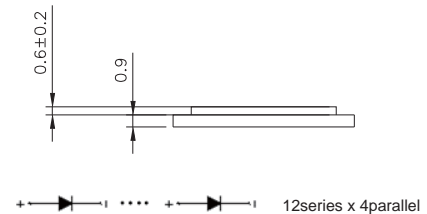
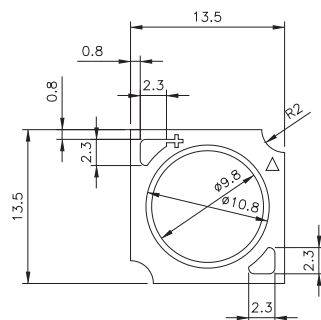


9W / 36V

Product	Size (LxWxHmm)	Forward Voltage (V)	Forward Current (mA)	Color	CCT (K)	Luminous Flux (lm)		CRI (min.)	Luminous Efficacy (lm/W)
						Min.	TYP		
XUAN1313-KM273P4-36309-091T	13.5x13.5.1.6	33.0~41.0	270	● Warm White	2700	1060	1165	80	119.9
XUAN1313-KM303P5-36309-091T	13.5x13.5.1.6	33.0~41.0	270	● Warm White	3000	1115	1225	80	126.0
XUAN1313-KM353P6-36309-091T	13.5x13.5.1.6	33.0~41.0	270	● Warm White	3500	1140	1255	80	129.1
XUAN1313-KM403P7-36309-091T	13.5x13.5.1.6	33.0~41.0	270	○ Neutral White	4000	1175	1290	80	132.7
XUAN1313-KT505P8-36309-091T	13.5x13.5.1.6	33.0~41.0	270	○ Cool White	5000	1215	1335	80	137.3
XUAN1313-KT575P8-36309-091T	13.5x13.5.1.6	33.0~41.0	270	○ Cool White	5700	1215	1350	80	138.9
XUAN1313-KT655P8-36309-091T	13.5x13.5.1.6	33.0~41.0	270	○ Cool White	6500	1215	1350	80	138.9



UNIT : mm



12W / 36V

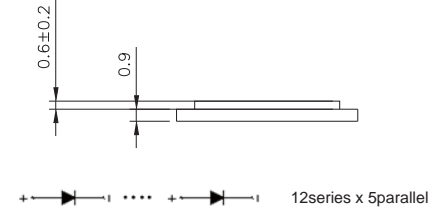
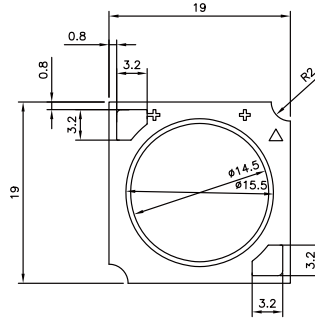
Product	Size (LxWxHmm)	Forward Voltage (V)	Forward Current (mA)	Color	CCT (K)	Luminous Flux (lm)		CRI (min.)	Luminous Efficacy (lm/W)
						Min.	TYP		
XUAN1313-KM273S1-36412-091T	13.5x13.5.1.6	33.0~41.0	360	● Warm White	2700	1325	1460	80	112.7
XUAN1313-KM303S2-36412-091T	13.5x13.5.1.6	33.0~41.0	360	● Warm White	3000	1395	1535	80	118.4
XUAN1313-KM353S3-36412-091T	13.5x13.5.1.6	33.0~41.0	360	● Warm White	3500	1430	1570	80	121.1
XUAN1313-KM403S4-36412-091T	13.5x13.5.1.6	33.0~41.0	360	○ Neutral White	4000	1470	1620	80	125.0
XUAN1313-KT505S5-36412-091T	13.5x13.5.1.6	33.0~41.0	360	○ Cool White	5000	1520	1670	80	128.9
XUAN1313-KT575S5-36412-091T	13.5x13.5.1.6	33.0~41.0	360	○ Cool White	5700	1520	1690	80	130.4
XUAN1313-KT655S5-36412-091T	13.5x13.5.1.6	33.0~41.0	360	○ Cool White	6500	1520	1690	80	130.4

COB / Multi-chips | XUAN1919 Series

COB / Multi-chips



UNIT : mm

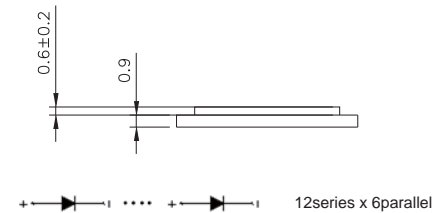
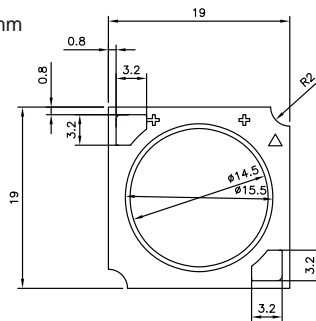


16W / 36V

Product	Size (LxWxHmm)	Forward Voltage (V)	Forward Current (mA)	Color	CCT (K)	Luminous Flux (lm)		CRI (min.)	Luminous Efficacy (lm/W)
						Min.	TYP		
XUAN1919-KM273P8-36516-0E1T	19x19x1.6	33.0~41.0	450	● Warm White	2700	1820	2005	80	123.8
XUAN1919-KM303P9-36516-0E1T	19x19x1.6	33.0~41.0	450	● Warm White	3000	1920	2110	80	130.2
XUAN1919-KM353M1-36516-0E1T	19x19x1.6	33.0~41.0	450	● Warm White	3500	1965	2160	80	133.3
XUAN1919-KM403M2-36516-0E1T	19x19x1.6	33.0~41.0	450	○ Neutral White	4000	2020	2225	80	137.3
XUAN1919-KT505M4-36516-0E1T	19x19x1.6	33.0~41.0	450	○ Cool White	5000	2100	2300	80	142.0
XUAN1919-KT575M4-36516-0E1T	19x19x1.6	33.0~41.0	450	○ Cool White	5700	2100	2320	80	143.2
XUAN1919-KT655M4-36516-0E1T	19x19x1.6	33.0~41.0	450	○ Cool White	6500	2100	2320	80	143.2



UNIT : mm



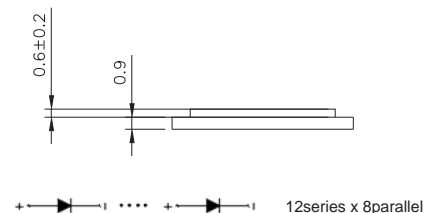
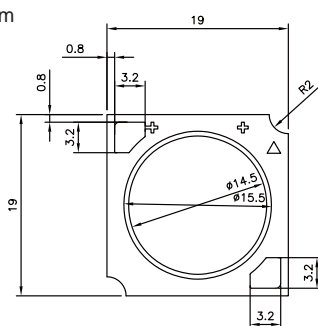
17W / 36V

Product	Size (LxWxHmm)	Forward Voltage (V)	Forward Current (mA)	Color	CCT (K)	Luminous Flux (lm)		CRI (min.)	Luminous Efficacy (lm/W)
						Min.	TYP		
XUAN1919-KM273M5-36617-0E1T	19x19x1.6	33.0~41.0	540	● Warm White	2700	2150	2360	80	121.4
XUAN1919-KM303M6-36617-0E1T	19x19x1.6	33.0~41.0	540	● Warm White	3000	2250	2485	80	127.8
XUAN1919-KM353M7-36617-0E1T	19x19x1.6	33.0~41.0	540	● Warm White	3500	2300	2545	80	130.9
XUAN1919-KM403M8-36617-0E1T	19x19x1.6	33.0~41.0	540	○ Neutral White	4000	2350	2620	80	134.8
XUAN1919-KT505M9-36617-0E1T	19x19x1.6	33.0~41.0	540	○ Cool White	5000	2450	2710	80	139.4
XUAN1919-KT575M9-36617-0E1T	19x19x1.6	33.0~41.0	540	○ Cool White	5700	2450	2735	80	140.7
XUAN1919-KT655M9-36617-0E1T	19x19x1.6	33.0~41.0	540	○ Cool White	6500	2450	2735	80	140.7

COB / Multi-chips | XUAN1919 Series



UNIT : mm



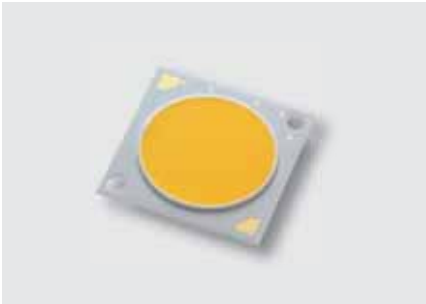
25W / 36V

Product	Size (LxWxHmm)	Forward Voltage (V)	Forward Current (mA)	Color	CCT (K)	Luminous Flux (lm)		CRI (min.)	Luminous Efficacy (lm/W)
						Min.	TYP		
XUAN1919-KM273Q4-36825-0E1T	19x19x1.6	33.0~41.0	720	● Warm White	2700	2800	3090	80	119.2
XUAN1919-KM303Q5-36825-0E1T	19x19x1.6	33.0~41.0	720	● Warm White	3000	2900	3255	80	125.6
XUAN1919-KM353Q6-36825-0E1T	19x19x1.6	33.0~41.0	720	● Warm White	3500	3000	3335	80	128.7
XUAN1919-KM403Q7-36825-0E1T	19x19x1.6	33.0~41.0	720	○ Neutral White	4000	3100	3435	80	132.5
XUAN1919-KT505Q8-36825-0E1T	19x19x1.6	33.0~41.0	720	○ Cool White	5000	3200	3550	80	137.0
XUAN1919-KT575Q8-36825-0E1T	19x19x1.6	33.0~41.0	720	○ Cool White	5700	3200	3580	80	138.1
XUAN1919-KT655Q8-36825-0E1T	19x19x1.6	33.0~41.0	720	○ Cool White	6500	3200	3580	80	138.1

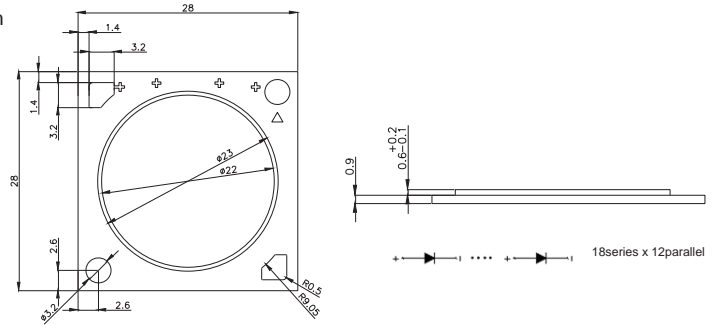
COB / Multi-chips

COB / Multi-chips | XUAN2828 Series

COB / Multi-chips

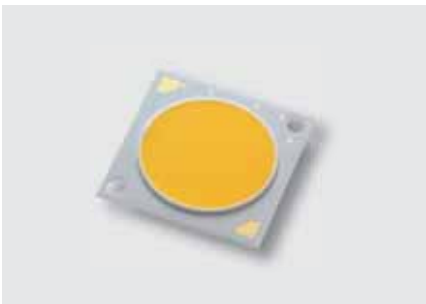


UNIT : mm

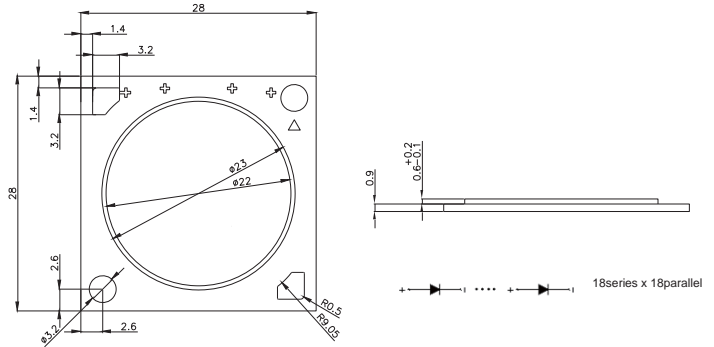


58W / 54V

Product	Size (LxWxHmm)	Forward Voltage (V)	Forward Current (mA)	Color	CCT (K)	Luminous Flux (lm)		CRI (min.)	Luminous Efficacy (lm/W)
						Min.	TYP		
XUAN2828-KM273R2-54C58-0M1T	28x28x1.6	52.0~61.0	1080	● Warm White	2700	5920	6510	80	111.6
XUAN2828-KM303R3-54C58-0M1T	28x28x1.6	52.0~61.0	1080	● Warm White	3000	6235	6860	80	117.6
XUAN2828-KM353R4-54C58-0M1T	28x28x1.6	52.0~61.0	1080	● Warm White	3500	6390	7030	80	120.5
XUAN2828-KM403R5-54C58-0M1T	28x28x1.6	52.0~61.0	1080	○ Neutral White	4000	6580	7240	80	124.1
XUAN2828-KT505R6-54C58-0M1T	28x28x1.6	52.0~61.0	1080	○ Cool White	5000	6800	7480	80	128.3
XUAN2828-KT575R6-54C58-0M1T	28x28x1.6	52.0~61.0	1080	○ Cool White	5700	6800	7545	80	129.4
XUAN2828-KT655R6-54C58-0M1T	28x28x1.6	52.0~61.0	1080	○ Cool White	6500	6800	7545	80	129.4



UNIT : mm



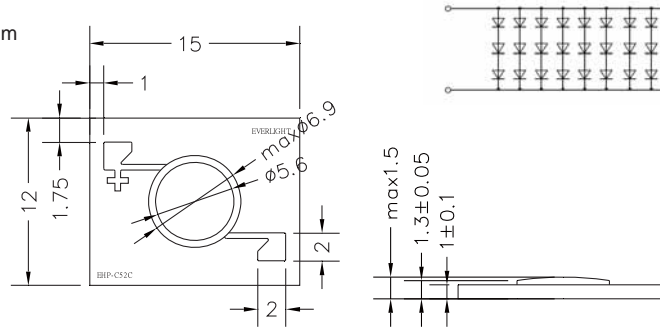
88W / 54V

Product	Size (LxWxHmm)	Forward Voltage (V)	Forward Current (mA)	Color	CCT (K)	Luminous Flux (lm)		CRI (min.)	Luminous Efficacy (lm/W)
						Min.	TYP		
XUAN2828-KM273G4-54J88-0M1T	28x28x1.6	52.0~61.0	1620	● Warm White	2700	8540	9400	80	107.5
XUAN2828-KM303G5-54J88-0M1T	28x28x1.6	52.0~61.0	1620	● Warm White	3000	9000	9900	80	113.2
XUAN2828-KM353G6-54J88-0M1T	28x28x1.6	52.0~61.0	1620	● Warm White	3500	9220	10140	80	115.9
XUAN2828-KM403G7-54J88-0M1T	28x28x1.6	52.0~61.0	1620	○ Neutral White	4000	9500	10445	80	119.4
XUAN2828-KT505G8-54J88-0M1T	28x28x1.6	52.0~61.0	1620	○ Cool White	5000	9800	10800	80	123.5
XUAN2828-KT575G8-54J88-0M1T	28x28x1.6	52.0~61.0	1620	○ Cool White	5700	9900	10890	80	124.5
XUAN2828-KT655G8-54J88-0M1T	28x28x1.6	52.0~61.0	1620	○ Cool White	6500	9900	10890	80	124.5

COB / Multi-chips | JU1215 Series 炬



UNIT : mm

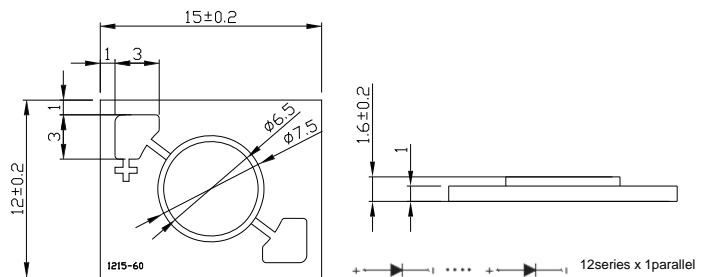


4W / 9V

Product	Size (LxWxHmm)	Forward Voltage (V)	Forward Current (mA)	Color	CCT (K)	Luminous Flux (lm)		CRI (min.)	Luminous Efficacy (lm/W)
						Min.	TYP		
JU1215-KM277K5-09804-450T	12x15x1.6	8~11	400	Warm White	2700	325	363	80	100.8
JU1215-KM307K5-09804-450T	12x15x1.6	8~11	400	Warm White	3000	325	389	80	108.1
JU1215-KM407K5-09804-450T	12x15x1.6	8~11	400	Neutral White	4000	325	398	80	110.6
JU1215-GT507K7-09804-450T	12x15x1.6	8~11	400	Cool White	5000	375	442	70	122.8
JU1215-KT507K7-09804-450T	12x15x1.6	8~11	400	Cool White	5000	375	391	80	108.6
JU1215-GT577K7-09804-450T	12x15x1.6	8~11	400	Cool White	5700	375	463	70	128.6
JU1215-KT577K7-09804-450T	12x15x1.6	8~11	400	Cool White	5700	375	391	80	108.6
JU1215-GT657K7-09804-450T	12x15x1.6	8~11	400	Cool White	6500	375	452	70	125.6
JU1215-KT657K7-09804-450T	12x15x1.6	8~11	400	Cool White	6500	375	391	80	108.6



UNIT : mm

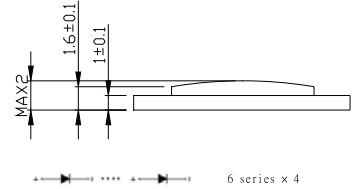
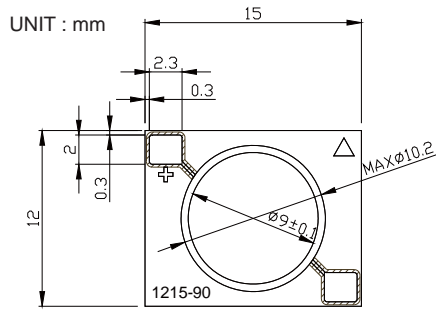


5W / 36V

Product	Size (LxWxHmm)	Forward Voltage (V)	Forward Current (mA)	Color	CCT (K)	Luminous Flux (lm)		CRI (min.)	Luminous Efficacy (lm/W)
						Min.	TYP		
JU1215-PM273N3-36105-460T	12x15x1.6	33.0~38.0	150	Warm White	2700	450	530	90	98.1
JU1215-PM303N4-36105-460T	12x15x1.6	33.0~38.0	150	Warm White	3000	500	560	90	103.7
JU1215-PM403N5-36105-460T	12x15x1.6	33.0~38.0	150	Neutral White	4000	500	590	90	109.3

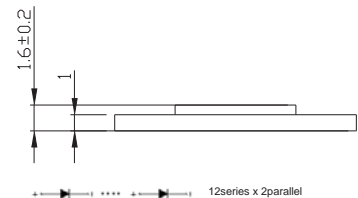
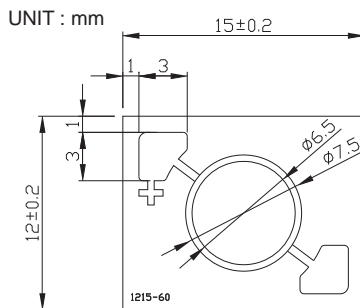
COB / Multi-chips | JU1215 Series 炬

COB / Multi-chips



7W / 18V

Product	Size (LxWxHmm)	Forward Voltage (V)	Forward Current (mA)	Color	CCT (K)	Luminous Flux (lm)		CRI (min.)	Luminous Efficacy (lm/W)
						Min.	TYP		
JU1215-KM273N9-18407-390T	12x15x1.6	16.0~20.0	420	● Warm White	2700	800	850	80	112.4
JU1215-KM303N9-18407-390T	12x15x1.6	16.0~20.0	420	● Warm White	3000	850	910	80	120.4
JU1215-KM403N9-18407-390T	12x15x1.6	16.0~20.0	420	○ Neutral White	4000	850	910	80	120.4
JU1215-PM277N5-18407-390T	12x15x1.6	16.0~20.0	420	● Warm White	2700	600	688	90	91.0
JU1215-PM307N6-18407-390T	12x15x1.6	16.0~20.0	420	● Warm White	3000	650	753	90	99.6



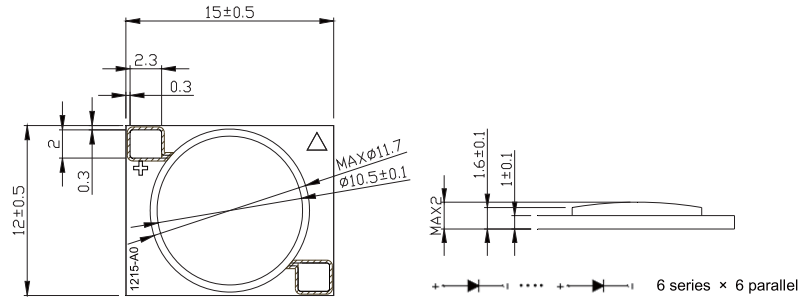
9W / 36V

Product	Size (LxWxHmm)	Forward Voltage (V)	Forward Current (mA)	Color	CCT (K)	Luminous Flux (lm)		CRI (min.)	Luminous Efficacy (lm/W)
						Min.	TYP		
JU1215-PM273N9-36209-460T	12x15x1.6	33.0~38.0	250	● Warm White	2700	800	880	90	97.8
JU1215-PM303P1-36209-460T	12x15x1.6	33.0~38.0	250	● Warm White	3000	850	925	90	102.8
JU1215-PM403P2-36209-460T	12x15x1.6	33.0~38.0	250	○ Neutral White	4000	850	975	90	108.3

COB / Multi-chips | JU1215 Series 炬



UNIT : mm

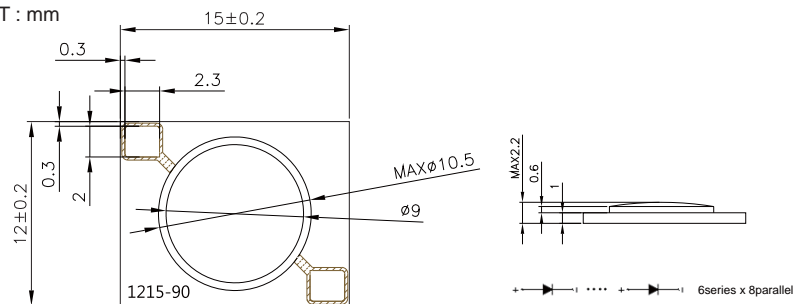


10W / 18V

Product	Size (LxWxHmm)	Forward Voltage (V)	Forward Current (mA)	Color	CCT (K)	Luminous Flux (lm)		CRI (min.)	Luminous Efficacy (lm/W)
						Min.	TYP		
JU1215-KM277P1-18610-0A0T	12x15x1.6	16.0~20.0	550	● Warm White	2700	900	1065	80	107.6
JU1215-KM307P2-18610-0A0T	12x15x1.6	16.0~20.0	550	● Warm White	3000	1000	1110	80	112.1
JU1215-KM407P2-18610-0A0T	12x15x1.6	16.0~20.0	550	○ Neutral White	4000	1000	1155	80	116.7
JU1215-KT507P3-18610-0A0T	12x15x1.6	16.0~20.0	550	○ Cool White	5000	1100	1210	80	122.2
JU1215-KT577P3-18610-0A0T	12x15x1.6	16.0~20.0	550	○ Cool White	5700	1100	1210	80	122.2
JU1215-KT657P3-18610-0A0T	12x15x1.6	16.0~20.0	550	○ Cool White	6500	1100	1210	80	122.2



UNIT : mm



12W / 18V

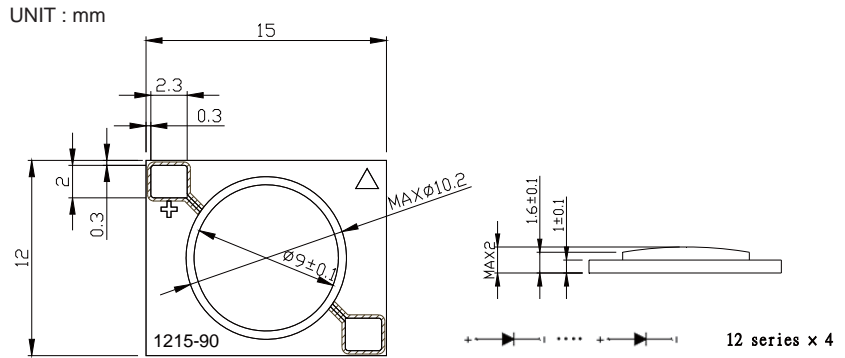
Product	Size (LxWxHmm)	Forward Voltage (V)	Forward Current (mA)	Color	CCT (K)	Luminous Flux (lm)		CRI (min.)	Luminous Efficacy (lm/W)
						Min.	TYP		
JU1215-KM273P4-18812-090T	12x15x1.6	17.0 ~20.0	640	● Warm White	2700	1200	1320	80	114.6
JU1215-KM303P5-18812-090T	12x15x1.6	17.0 ~20.0	640	● Warm White	3000	1250	1390	80	120.7
JU1215-KM403P6-18812-090T	12x15x1.6	17.0 ~20.0	640	○ Neutral White	4000	1300	1450	80	125.9
JU1215-KT505P7-18812-090T	12x15x1.6	17.0 ~20.0	640	○ Cool White	5000	1350	1510	80	131.1
JU1215-KT575P8-18812-090T	12x15x1.6	17.0 ~20.0	640	○ Cool White	5700	1400	1530	80	132.8
JU1215-KT655P8-18812-090T	12x15x1.6	17.0 ~20.0	640	○ Cool White	6500	1400	1530	80	132.8

COB / Multi-chips | JU1215 Series 炬

COB / Multi-chips



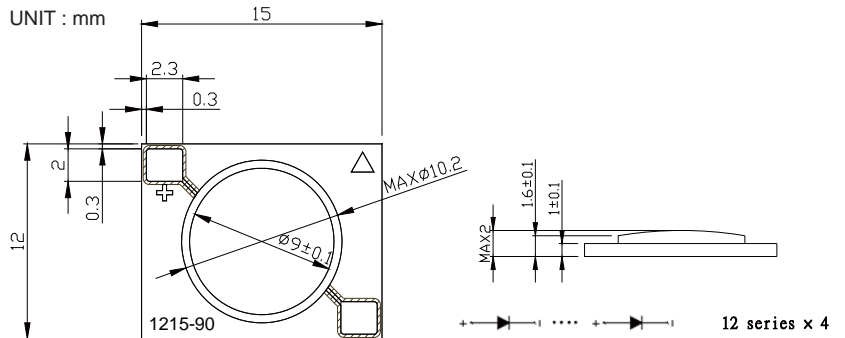
12W / 36V



Product	Size (LxWxHmm)	Forward Voltage (V)	Forward Current (mA)	Color	CCT (K)	Luminous Flux (lm)		CRI (min.)	Luminous Efficacy (lm/W)
						Min.	TYP		
JU1215-KM277P2-36412-390T	12x15x1.6	33.0~41.0	320	● Warm White	2700	1000	1184	80	102.8
JU1215-KM307P3-36412-390T	12x15x1.6	33.0~41.0	320	● Warm White	3000	1100	1260	80	109.4
JU1215-KM407P3-36412-390T	12x15x1.6	33.0~41.0	320	○ Neutral White	4000	1100	1310	80	113.7
JU1215-KT507P4-36412-390T	12x15x1.6	33.0~41.0	320	○ Cool White	5000	1200	1365	80	118.5
JU1215-KT577P4-36412-390T	12x15x1.6	33.0~41.0	320	○ Cool White	5700	1200	1365	80	118.5



12W / 36V / CRI90

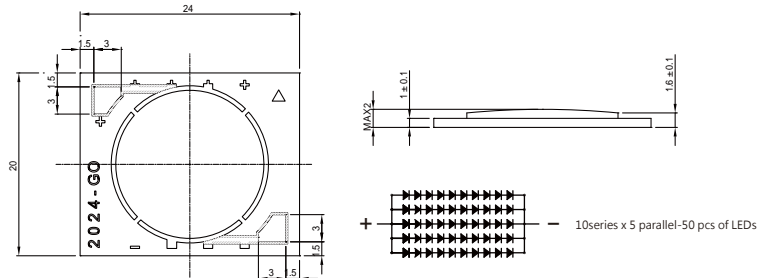


Product	Size (LxWxHmm)	Forward Voltage (V)	Forward Current (mA)	Color	CCT (K)	Luminous Flux (lm)		CRI (min.)	Luminous Efficacy (lm/W)
						Min.	TYP		
JU1215-PM273P1-36412-390T	12x15x1.6	33.0~41.0	320	● Warm White	2700	900	1060	90	92.0
JU1215-PM303P2-36412-390T	12x15x1.6	33.0~41.0	320	● Warm White	3000	1000	1135	90	98.5
JU1215-PM403P2-36412-390T	12x15x1.6	33.0~41.0	320	○ Neutral White	4000	1000	1180	90	102.4
JU1215-PT505P3-36412-390T	12x15x1.6	33.0~41.0	320	○ Cool White	5000	1100	1230	90	106.8
JU1215-PT575P3-36412-390T	12x15x1.6	33.0~41.0	320	○ Cool White	5700	1100	1230	90	106.8
JU1215-PT655P3-36412-390T	12x15x1.6	33.0~41.0	320	○ Cool White	6500	1100	1230	90	106.8

COB / Multi-chips | JU2024 Series 炬



UNIT : mm

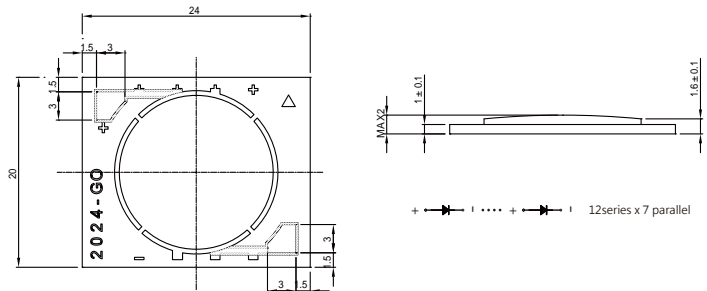


15W / 30V

Product	Size (LxWxHmm)	Forward Voltage (V)	Forward Current (mA)	Color	CCT (K)	Luminous Flux (lm)		CRI (min.)	Luminous Efficacy (lm/W)
						Min.	TYP		
JU2024-KM277P5-30515-0G0T	20x24x1.6	27~33	500	● Warm White	2700	1425	1580	80	105.3
JU2024-KM307P6-30515-0G0T	20x24x1.6	27~33	500	● Warm White	3000	1500	1650	80	110.0
JU2024-KM357P6-30515-0G0T	20x24x1.6	27~33	500	● Warm White	3500	1500	1700	80	113.3
JU2024-KM407P6-30515-0G0T	20x24x1.6	27~33	500	○ Neutral White	4000	1575	1750	80	116.7
JU2024-KM457P7-30515-0G0T	20x24x1.6	27~33	500	○ Neutral White	4500	1650	1780	80	118.7
JU2024-KT507P7-30515-0G0T	20x24x1.6	27~33	500	○ Cool White	5000	1650	1800	80	120.0
JU2024-KT577P7-30515-0G0T	20x24x1.6	27~33	500	○ Cool White	5700	1725	1850	80	123.3
JU2024-KT657P7-30515-0G0T	20x24x1.6	27~33	500	○ Cool White	6500	1725	1850	80	123.3



UNIT : mm



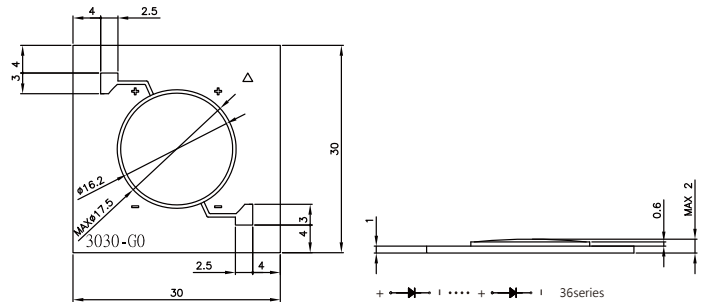
25W / 36V

Product	Size (LxWxHmm)	Forward Voltage (V)	Forward Current (mA)	Color	CCT (K)	Luminous Flux (lm)		CRI (min.)	Luminous Efficacy (lm/W)
						Min.	TYP		
JU2024-KM277S2-36725-3G0T	20x24x1.6	33~39	700	● Warm White	2700	2400	2870	80	113.9
JU2024-KM307S3-36725-3G0T	20x24x1.6	33~39	700	● Warm White	3000	2600	3000	80	119.0
JU2024-KM407S4-36725-3G0T	20x24x1.6	33~39	700	○ Neutral White	4000	2800	3180	80	126.2
JU2024-KT507S5-36725-3G0T	20x24x1.6	33~39	700	○ Cool White	5000	3000	3270	80	129.8
JU2024-KT577S5-36725-3G0T	20x24x1.6	33~39	700	○ Cool White	5700	3000	3305	80	131.2
JU2024-KT657S5-36725-3G0T	20x24x1.6	33~39	700	○ Cool White	6500	3000	3305	80	131.2

COB / Multi-chips | JU3030 Series 炬



UNIT : mm

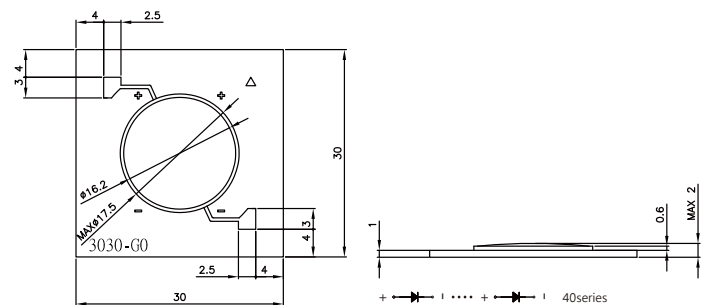


9W / 110V

Product	Size (LxWxHmm)	Forward Voltage (V)	Forward Current (mA)	Color	CCT (K)	Luminous Flux (lm)		CRI (min.)	Luminous Efficacy (lm/W)
						Min.	TYP		
JU3030-KM276P1-A1109-0G0T	30x30x1.6	103 - 113	80	● Warm White	2700	960.0	1105.0	80	125.6
JU3030-KM306P1-A1109-0G0T	30x30x1.6	103 - 113	80	● Warm White	3000	960.0	1150.0	80	130.7
JU3030-KM406P2-A1109-0G0T	30x30x1.6	103 - 113	80	○ Neutral White	4000	1050.0	1200.0	80	136.4
JU3030-KT506P2-A1109-0G0T	30x30x1.6	103 - 113	80	○ Cool White	5000	1050.0	1235.0	80	140.3
JU3030-KT576P2-A1109-0G0T	30x30x1.6	103 - 113	80	○ Cool White	5700	1050.0	1255.0	80	142.6
JU3030-KT656P2-A1109-0G0T	30x30x1.6	103 - 113	80	○ Cool White	6500	1050.0	1255.0	80	142.6



UNIT : mm



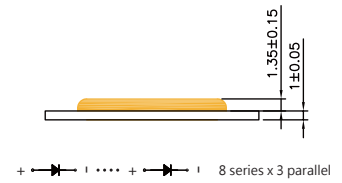
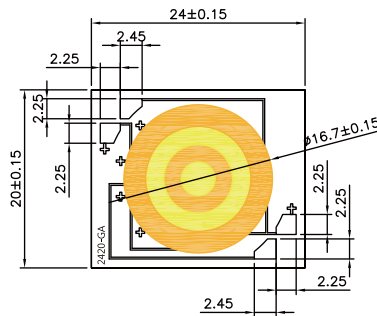
13W / 120V

Product	Size (LxWxHmm)	Forward Voltage (V)	Forward Current (mA)	Color	CCT (K)	Luminous Flux (lm)		CRI (min.)	Luminous Efficacy (lm/W)
						Min.	TYP		
JU3030-KM276P5-A2113-0G0T	30x30x1.6	113 - 128	105	● Warm White	2700	1350	1540.0	80	122.2
JU3030-KM306P5-A2113-0G0T	30x30x1.6	113 - 128	105	● Warm White	3000	1350	1580.0	80	125.4
JU3030-KM406P6-A2113-0G0T	30x30x1.6	113 - 128	105	○ Neutral White	4000	1500	1700.0	80	134.9
JU3030-KT506P6-A2113-0G0T	30x30x1.6	113 - 128	105	○ Cool White	5000	1500	1720.0	80	136.5
JU3030-KT576P6-A2113-0G0T	30x30x1.6	113 - 128	105	○ Cool White	5700	1500	1720.0	80	136.5
JU3030-KT656P6-A2113-0G0T	30x30x1.6	113 - 128	105	○ Cool White	6500	1500	1720.0	80	136.5

COB / Multi-chips | CHI2024 熾



UNIT : mm



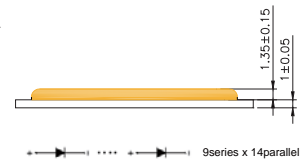
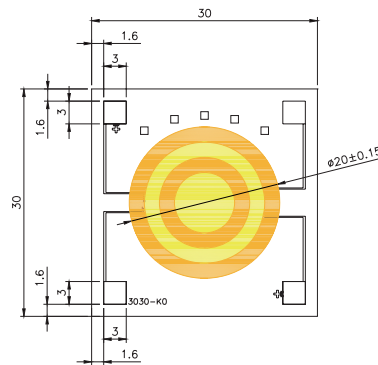
9W / 24V

Product	Size (LxWxHmm)	Forward Voltage (V)	Color	CCT (K)	Luminous Flux (lm)		CRI (min.)	Luminous Efficacy (lm/W)
					Min.	TYP		
CHI2024-KHAH4NG-24609-3G0T	20x24x2.35	23.2~27	● Warm White	2700	828	911	80	108.4
	20x24x2.35	23.2~27	○ Neutral White	4000	828	1014	80	120.8
	20x24x2.35	23.2~27	○ Cool White	5700	828	973	80	115.8

COB / Multi-chips | CHI3030 熾



UNIT : mm

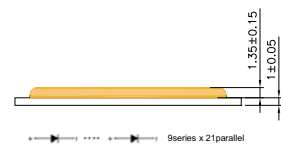
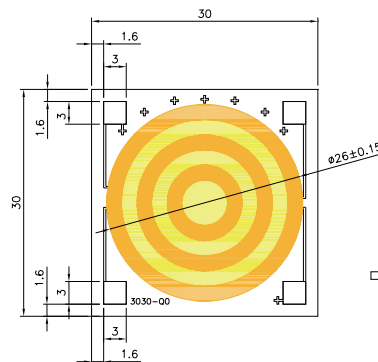


19W / 27V

Product	Size (LxWxHmm)	Forward Voltage (V)	Color	CCT (K)	Luminous Flux (lm)		CRI (min.)	Luminous Efficacy (lm/W)
					Min.	TYP		
CHI3030-KHAH4P7-27E19-3K0T	30x30x2.35	26.0~31.0	● Warm White	2700	1708	1956	80	103.5
	30x30x2.35	26.0~31.0	○ Neutral White	4000	1863	2230	80	118.0
	30x30x2.35	26.0~31.0	○ Cool White	5700	1863	2168	80	114.7



UNIT : mm



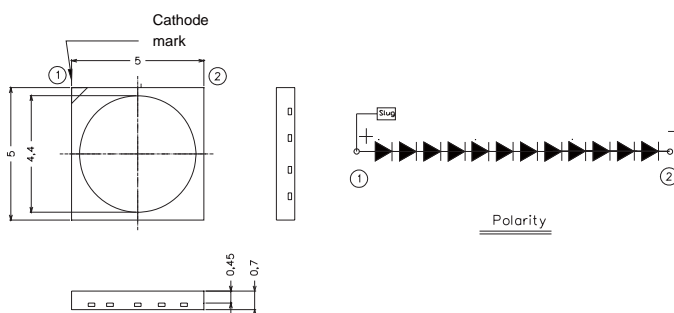
29W / 27V

Product	Size (LxWxHmm)	Forward Voltage (V)	Color	CCT (K)	Luminous Flux (lm)		CRI (min.)	Luminous Efficacy (lm/W)
					Min.	TYP		
CHI3030-KHAH4S2-27L29-3Q0T	30x30x2.35	26.0~31.0	● Warm White	2700	2484	2857	80	98.5
	30x30x2.35	26.0~31.0	○ Neutral White	4000	2691	3219	80	111
	30x30x2.35	26.0~31.0	○ Cool White	5700	2691	3095	80	106.7

COB / Multi-chips | XI5050



UNIT : mm



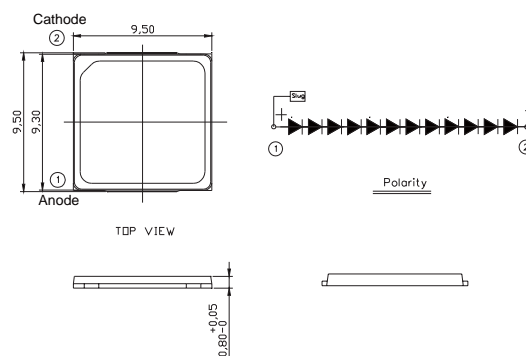
5W / 36V

Product	Size (LxWxHmm)	Forward Voltage (V)	Forward Current (mA)	Color	CCT (K)	Luminous Flux (lm)		CRI (min.)	Luminous Efficacy (lm/W)
						Min.	TYP		
XI5050-KM277N3-36105-000P	5.0x5.0x0.7	35.0 ~ 41.0	130	● Warm White	2700	500	569	80	121.6
XI5050-KM307N3-36105-000P	5.0x5.0x0.7	35.0 ~ 41.0	130	● Warm White	3000	525	592	80	126.5
XI5050-KM407N4-36105-000P	5.0x5.0x0.7	35.0 ~ 41.0	130	○ Neutral White	4000	550	605	80	129.3
XI5050-KT507N4-36105-000P	5.0x5.0x0.7	35.0 ~ 41.0	130	○ Cool White	5000	550	618	80	132.1
XI5050-KT577N4-36105-000P	5.0x5.0x0.7	35.0 ~ 41.0	130	○ Cool White	5700	550	622	80	132.9
XI5050-KT657N4-36105-000P	5.0x5.0x0.7	35.0 ~ 41.0	130	○ Cool White	6000	550	617	80	131.8

COB / Mukti-chips | XI9595



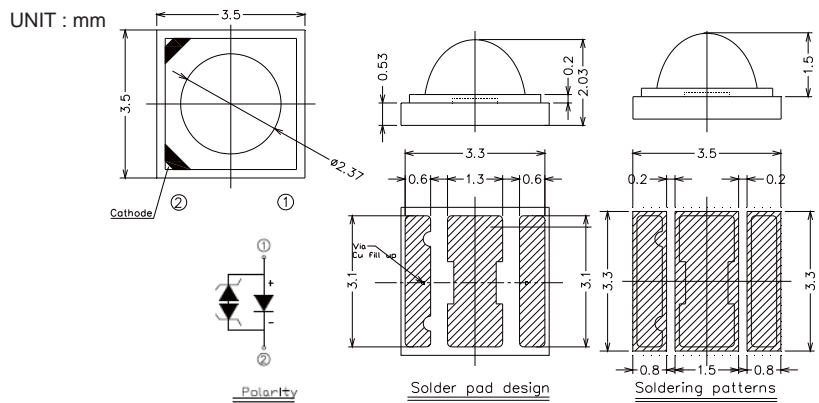
UNIT : mm



8W / 39V

Product	Size (LxWxHmm)	Forward Voltage (V)	Forward Current (mA)	Color	CCT (K)	Luminous Flux (lm)		CRI (min.)	Luminous Efficacy (lm/W)
						Min.	TYP		
XI9595-KM277N9-39108-000P	9.5x9.5x0.8	37-41	200	● Warm White	2700	850.0	952.0	80	122.1
XI9595-KM307N9-39108-000P	9.5x9.5x0.8	37-41	200	● Warm White	3000	850.0	998.0	80	127.9
XI9595-KM407N9-39108-000P	9.5x9.5x0.8	37-41	200	○ Neutral White	4000	850.0	1011.0	80	129.6
XI9595-KT507P1-39108-000P	9.5x9.5x0.8	37-41	200	○ Cool White	5000	900.0	1046.0	80	134.1
XI9595-KT577P1-39108-000P	9.5x9.5x0.8	37-41	200	○ Cool White	5700	900.0	1050.0	80	134.6
XI9595-KT657P1-39108-000P	9.5x9.5x0.8	37-41	200	○ Cool White	6000	900.0	1045.0	80	134.0

High Power LED | Monochromatic LED / Shwo^燦

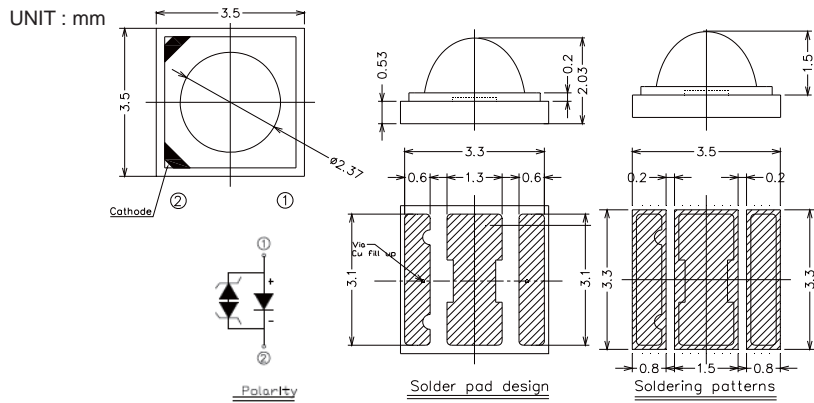


1W / 3V / 350mA

Product	Size (LxWxHmm)	Forward Voltage (V)	Forward Current(mA)	Color	Wavelength (nm)	Luminous Flux/ Radiometric Power (lm/mW)	CRI (min.)
ELSW-F51R1-0LPNM-AR5R6*	3.5x3.5x2.03	1.75 - 2.95	350	Red	620 - 630	52.0	-
ELSW-F61R1-0PPNM-AR5R6*	3.5x3.5x2.03	1.75 - 2.95	350	Red	620 - 630	60.0	-
ELSW-F71R1-0PPNM-AR5R6*	3.5x3.5x2.03	1.75 - 2.95	350	Red	620 - 630	70.0	-
ELSW-F51O1-0LPNM-AR3R4	3.5x3.5x2.03	1.75 - 2.95	350	Orange	610 - 620	52.0	-
ELSW-F61O1-0PPNM-AR3R4	3.5x3.5x2.03	1.75 - 2.95	350	Orange	610 - 620	60.0	-
ELSW-F71O1-0PPNM-AR3R4	3.5x3.5x2.03	1.75 - 2.95	350	Orange	610 - 620	70.0	-
ELSW-F41Y1-0LPNM-AA3A5	3.5x3.5x2.03	1.75 - 2.95	350	Amber	585 - 592.5	45.0	-
ELSW-F51Y1-0LPNM-AA3A5	3.5x3.5x2.03	1.75 - 2.95	350	Amber	585 - 592.5	52.0	-
ELSW-F61Y1-0LPNM-AA3A5	3.5x3.5x2.03	1.75 - 2.95	350	Amber	585 - 592.5	60.0	-
ELSW-F71G1-0LPNM-CG1G2	3.5x3.5x2.03	2.95 - 3.85	350	Green	520 - 530	70.0	-
ELSW-F71G1-0LPNM-CG2G3	3.5x3.5x2.03	2.95 - 3.85	350	Green	525 - 535	70.0	-
ELSW-F81G1-0GPNM-CG1G2*	3.5x3.5x2.03	2.95 - 3.85	350	Green	520 - 530	80.0	-
ELSW-F91G1-0LPNM-CG1G2*	3.5x3.5x2.03	2.95 - 3.85	350	Green	520 - 530	90.0	-
ELSW-E71B1-0LPNM-CB7B8*	3.5x3.5x2.03	2.95 - 3.85	350	Blue	460 - 470	17.0	-
ELSW-E81B1-0LPNM-CB7B8*	3.5x3.5x2.03	2.95 - 3.85	350	Blue	460 - 470	20.0	-
ELSW-E91B1-0LPNM-CB7B8*	3.5x3.5x2.03	2.95 - 3.85	350	Blue	460 - 470	23.0	-
ELSW-F11B1-0LPNM-CB8B9*	3.5x3.5x2.03	2.95 - 3.85	350	Blue	465 - 475	27.0	-
ELSW-F21B1-0LPNM-CBABB*	3.5x3.5x2.03	2.95 - 3.85	350	Blue	475 - 485	33.0	-
ELSW-Q91L1-0LPNM-CB4B6	3.5x3.5x2.03	2.95 - 3.85	350	Royal Blue	445 - 460	275 mW	-
ELSW-R31L1-0LPNM-CB4B6	3.5x3.5x2.03	2.95 - 3.85	350	Royal Blue	445 - 460	430 mW	-
ELSW-Q91E1-0LPNM-AD3D8*	3.5x3.5x2.03	1.75 - 2.95	350	Deep Red	645 - 675	275 mW	-
ELSW-R11E1-0LPNM-AD3D8*	3.5x3.5x2.03	1.6 - 2.95	350	Deep Red	645 - 675	330 mW	-
ELSW-Q61F1-0LPNM-AF3F8*	3.5x3.5x2.03	1.75 - 2.95	350	Far Red	715 - 745	125 mW	-
ELSW-Q81F1-0LPNM-HF3F8*	3.5x3.5x2.03	1.6 - 2.65	350	Far Red	715 - 745	225 mW	-

Star mark * : *Product lead time of at least 8 weeks.

High Power LED | Monochromatic LED / Shwo^樂



3W / 3V / 700mA

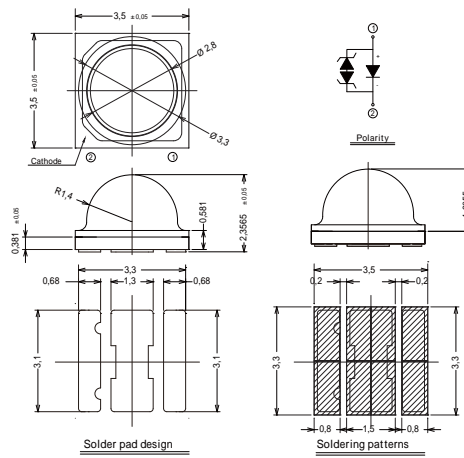
Product	Size (LxWxHmm)	Forward Voltage (V)	Forward Current(mA)	Color	Wavelength (nm)	Luminous Flux/ Radiometric Power (lm/mW)	CRI (min.)
ELSW-F81R3-0LPNM-BR4R6	3.5x3.5x2.03	2.05 - 3.25	700	● Red	615-630	80	-
ELSW-F91R3-0LPNM-BR4R6	3.5x3.5x2.03	2.05 - 3.25	700	● Red	615-630	90	-
ELSW-J11R3-0LPNM-BR4R6*	3.5x3.5x2.03	2.05 - 3.25	700	● Red	615-630	100	-
ELSW-J11O3-0LPNM-BA5R2*	3.5x3.5x2.03	2.05 - 3.25	700	● Orange	590-610	100	-
ELSW-F81Y3-0LPNM-BA3A5	3.5x3.5x2.03	2.05 - 3.25	700	● Amber	585-592.5	80	-
ELSW-F91Y3-0LPNM-BA3A5	3.5x3.5x2.03	2.05 - 3.25	700	● Amber	585-592.5	90	-
ELSW-F91G3-0LPNM-DG1G3	3.5x3.5x2.03	2.05 - 3.25	700	● Greenr	520-535	90	-
ELSW-J11G3-0LPNM-DG1G3	3.5x3.5x2.03	2.05 - 3.25	700	● Green	520-535	100	-
ELSW-E81B3-0LPNM-DB6B8*	3.5x3.5x2.03	2.05 - 3.25	700	● Blue	455-470	20	-
ELSW-E91B3-0LPNM-DB6B8*	3.5x3.5x2.03	2.05 - 3.25	700	● Blue	455-470	23	-
ELSW-E81B3-0LPNM-DB8BA*	3.5x3.5x2.03	2.05 - 3.25	700	● Blue	465-480	50	-
ELSW-R41V3-0LPNM-DVAB1*	3.5x3.5x2.03	3.25 - 4.15	700	● Violet Blue	420-435	600 mW	-
ELSW-R31E3-0LPNM-BD4D7*	3.5x3.5x2.03	2.05 - 3.25	700	● Deep Red	650-670	500 mW	-
ELSW-Q81F3-0LPNM-BF5F7*	3.5x3.5x2.03	2.05 - 3.25	700	● Far Red	725-740	225 mW	-

Star mark * : *Product lead time of at least 8 weeks.

High Power LED | High Performance / Shwo (D) 燦 (D)



UNIT : mm



1W / 3V / 350mA

Product	Size (LxWxHmm)	Forward Voltage (V)	Forward Current(mA)	Color	CCT (K)	Luminous Flux (Min.)	Luminous Flux (TYP)	CRI (min.)
ELSWD-J31C1-1LPGC-C6500	3.5x3.5x2.36	2.95 - 3.85	350	○ Cool White	6500	120.0	130.0	70.0
ELSWD-J31C1-1LPGC-C5700	3.5x3.5x2.36	2.95 - 3.85	350	○ Cool White	5700	120.0	130.0	70.0
ELSWD-J21C1-1LPHC-C5700	3.5x3.5x2.36	2.95 - 3.85	350	○ Cool White	5700	110.0	120.0	80.0
ELSWD-J21C1-1LPGC-C5000	3.5x3.5x2.36	2.95 - 3.85	350	○ Cool White	5000	110.0	120.0	70.0
ELSWD-J21N1-1LPGC-C4500	3.5x3.5x2.36	2.95 - 3.85	350	○ Neutral White	4500	110.0	120.0	70.0
ELSWD-J11N1-1LPHC-C4500	3.5x3.5x2.36	2.95 - 3.85	350	○ Neutral White	4500	100.0	110.0	80.0
ELSWD-J11N1-1LPGC-C4000	3.5x3.5x2.36	2.95 - 3.85	350	○ Neutral White	4000	100.0	110.0	70.0
ELSWD-J11N1-1LPHC-C4000	3.5x3.5x2.36	2.95 - 3.85	350	○ Neutral White	4000	100.0	110.0	80.0
ELSWD-F91M1-1LPHE-C3500	3.5x3.5x2.36	2.95 - 3.85	350	● Warm White	3500	90.0	100.0	80.0
ELSWD-F91M1-1LPHE-C3000	3.5x3.5x2.36	2.95 - 3.85	350	● Warm White	3000	90.0	100.0	80.0
ELSWD-F81M1-1LPHE-C2700	3.5x3.5x2.36	2.95 - 3.85	350	● Warm White	2700	80.0	90.0	80.0

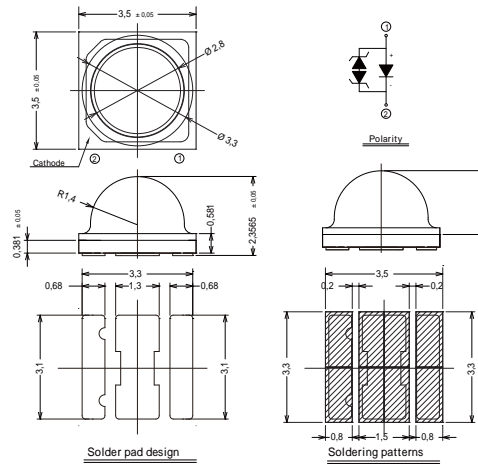
3W / 3V / 700mA

Product	Size (LxWxHmm)	Forward Voltage (V)	Forward Current(mA)	Color	CCT (K)	Luminous Flux (Min.)	Luminous Flux (TYP)	CRI (min.)
ELSWD-J31C1-1LPGC-C6500	3.5x3.5x2.36	3.25 - 4.15	700	○ Cool White	6500	200.0	220.0	70.0
ELSWD-J31C1-1LPGC-C5700	3.5x3.5x2.36	3.25 - 4.15	700	○ Cool White	5700	200.0	220.0	70.0
ELSWD-J21C1-1LPHC-C5700	3.5x3.5x2.36	3.25 - 4.15	700	○ Cool White	5700	180.0	200.0	80.0
ELSWD-J21C1-1LPGC-C5000	3.5x3.5x2.36	3.25 - 4.15	700	○ Cool White	5000	180.0	200.0	70.0
ELSWD-J21N1-1LPGC-C4500	3.5x3.5x2.36	3.25 - 4.15	700	○ Neutral White	4500	180.0	200.0	70.0
ELSWD-J11N1-1LPHC-C4500	3.5x3.5x2.36	3.25 - 4.15	700	○ Neutral White	4500	170.0	190.0	80.0
ELSWD-J11N1-1LPGC-C4000	3.5x3.5x2.36	3.25 - 4.15	700	○ Neutral White	4000	170.0	190.0	70.0
ELSWD-J11N1-1LPHC-C4000	3.5x3.5x2.36	3.25 - 4.15	700	○ Neutral White	4000	170.0	190.0	80.0
ELSWD-F91M1-1LPHE-C3500	3.5x3.5x2.36	3.25 - 4.15	700	● Warm White	3500	150.0	165.0	80.0
ELSWD-F91M1-1LPHE-C3000	3.5x3.5x2.36	3.25 - 4.15	700	● Warm White	3000	150.0	165.0	80.0
ELSWD-F81M1-1LPHE-C2700	3.5x3.5x2.36	3.25 - 4.15	700	● Warm White	2700	150.0	165.0	80.0

High Power LED | High Performance / Shwo (N) 燦 (N)



UNIT : mm



1W / 3V / 350mA

Product	Size (LxWxHmm)	Forward Voltage (V)	Forward Current(mA)	Color	CCT (K)	Luminous Flux (Min.)	Luminous Flux (TYP)	CRI (min.)
ELSWN-JF1C1-5VPGS-C6500	3.5x3.5x2.36	2.65 - 3.85	350	○ Cool White	6500	145.0	160.0	70.0
ELSWN-JF1C1-5VPGS-C5700	3.5x3.5x2.36	2.65 - 3.85	350	○ Cool White	5700	145.0	160.0	70.0
ELSWN-JE1C1-5VPHS-C5700	3.5x3.5x2.36	2.65 - 3.85	350	○ Cool White	5700	135.0	148.0	80.0
ELSWN-JF1C1-5VPGS-C5000	3.5x3.5x2.36	2.65 - 3.85	350	○ Cool White	5000	145.0	160.0	70.0
ELSWN-JE1C1-5VPHS-C5000	3.5x3.5x2.36	2.65 - 3.85	350	○ Cool White	5000	135.0	148.0	80.0
ELSWN-JE1N1-5VPGS-C4500	3.5x3.5x2.36	2.65 - 3.85	350	○ Neutral White	4500	135.0	148.0	70.0
ELSWN-JC1N1-5VPHS-C4500	3.5x3.5x2.36	2.65 - 3.85	350	○ Neutral White	4500	125.0	137.0	80.0
ELSWN-JE1N1-5VPGS-C4000	3.5x3.5x2.36	2.65 - 3.85	350	○ Neutral White	4000	135.0	148.0	70.0
ELSWN-JC1N1-5VPHS-C4000	3.5x3.5x2.36	2.65 - 3.85	350	○ Neutral White	4000	125.0	137.0	80.0
ELSWN-JB1M1-5VPHS-C3500	3.5x3.5x2.36	2.65 - 3.85	350	○ Warm White	3500	115.0	126.0	80.0
ELSWN-JB1M1-5VPHS-C3000	3.5x3.5x2.36	2.65 - 3.85	350	○ Warm White	3000	115.0	126.0	80.0
ELSWN-JB1M1-5VPHS-C2700	3.5x3.5x2.36	2.65 - 3.85	350	○ Warm White	2700	115.0	126.0	80.0

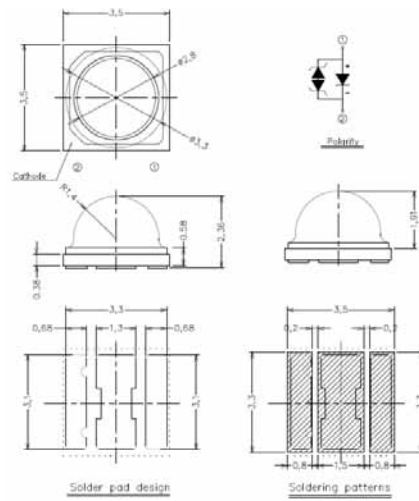
3W / 3V / 700mA

Product	Size (LxWxHmm)	Forward Voltage (V)	Forward Current(mA)	Color	CCT (K)	Luminous Flux (Min.)	Luminous Flux (TYP)	CRI (min.)
ELSWN-JF1C1-5VPGS-C6500	3.5x3.5x2.36	2.65 - 3.85	700	○ Cool White	6500	255.0	280.0	70.0
ELSWN-JF1C1-5VPGS-C5700	3.5x3.5x2.36	2.65 - 3.85	700	○ Cool White	5700	255.0	280.0	70.0
ELSWN-JE1C1-5VPHS-C5700	3.5x3.5x2.36	2.65 - 3.85	700	○ Cool White	5700	235.0	260.0	80.0
ELSWN-JF1C1-5VPGS-C5000	3.5x3.5x2.36	2.65 - 3.85	700	○ Cool White	5000	250.0	260.0	70.0
ELSWN-JE1C1-5VPHS-C5000	3.5x3.5x2.36	2.65 - 3.85	700	○ Cool White	5000	235.0	260.0	80.0
ELSWN-JE1N1-5VPGS-C4500	3.5x3.5x2.36	2.65 - 3.85	700	○ Neutral White	4500	235.0	260.0	70.0
ELSWN-JC1N1-5VPHS-C4500	3.5x3.5x2.36	2.65 - 3.85	700	○ Neutral White	4500	220.0	240.0	80.0
ELSWN-JE1N1-5VPGS-C4000	3.5x3.5x2.36	2.65 - 3.85	700	○ Neutral White	4000	235.0	260.0	70.0
ELSWN-JC1N1-5VPHS-C4000	3.5x3.5x2.36	2.65 - 3.85	700	○ Neutral White	4000	220.0	240.0	80.0
ELSWN-JB1M1-5VPHS-C3500	3.5x3.5x2.36	2.65 - 3.85	700	○ Warm White	3500	200.0	220.0	80.0
ELSWN-JB1M1-5VPHS-C3000	3.5x3.5x2.36	2.65 - 3.85	700	○ Warm White	3000	200.0	220.0	80.0
ELSWN-JB1M1-5VPHS-C2700	3.5x3.5x2.36	2.65 - 3.85	350	○ Warm White	2700	200.0	220.0	80.0

High Power LED | Shwo (F) 爍 (F)



UNIT : mm



1W / 3V / 350mA

Product	Size (LxWxHmm)	Forward Voltage(V)	Forward Current(mA)	Color	CCT (K)	Luminous Flux (Min.)	Luminous Flux (TYP)	CRI (min.)
ELSWF-J51C1-0FPGS-C6500	3.5x3.5x2.36	2.65 - 3.85	350	○ Cool White	6500	140.0	155.0	70.0
ELSWF-J41C1-0FPHS-C6500	3.5x3.5x2.36	2.65 - 3.85	350	○ Cool White	6500	130.0	145.0	80.0
ELSWF-J51C1-0FPGS-C5700	3.5x3.5x2.36	2.65 - 3.85	350	○ Cool White	5700	140.0	155.0	70.0
ELSWF-J41C1-0FPHS-C5700	3.5x3.5x2.36	2.65 - 3.85	350	○ Cool White	5700	130.0	145.0	80.0
ELSWF-J51C1-0FPGS-C5000	3.5x3.5x2.36	2.65 - 3.85	350	○ Cool White	5000	140.0	155.0	70.0
ELSWF-J41C1-0FPHS-C5000	3.5x3.5x2.36	2.65 - 3.85	350	○ Cool White	5000	130.0	145.0	80.0
ELSWF-J41N1-0FPGS-C4000	3.5x3.5x2.36	2.65 - 3.85	350	○ Neutral White	4000	130.0	145.0	70.0
ELSWF-J31N1-0FPHS-C4000	3.5x3.5x2.36	2.65 - 3.85	350	○ Neutral White	4000	120.0	132.0	80.0
ELSWF-J21M1-0FPHS-C3000	3.5x3.5x2.36	2.65 - 3.85	350	● Warm White	3000	110.0	121.0	80.0
ELSWF-J21M1-0FPHS-C2700	3.5x3.5x2.36	2.65 - 3.85	350	● Warm White	2700	110.0	121.0	80.0

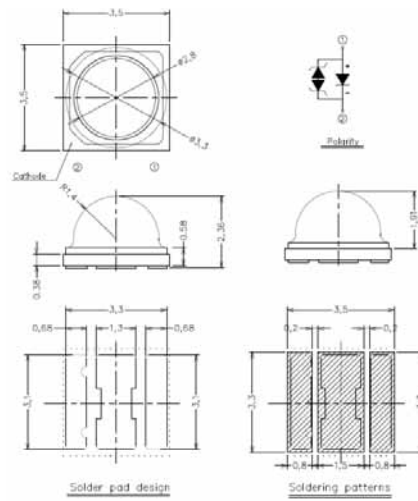
3W / 3V / 700mA

Product	Size (LxWxHmm)	Forward Voltage(V)	Forward Current(mA)	Color	CCT (K)	Luminous Flux (Min.)	Luminous Flux (TYP)	CRI (min.)
ELSWF-J51C1-0FPGS-C6500	3.5x3.5x2.36	2.65 - 3.85	700	○ Cool White	6500	252.0	280.0	70.0
ELSWF-J41C1-0FPHS-C6500	3.5x3.5x2.36	2.65 - 3.85	700	○ Cool White	6500	235.0	260.0	80.0
ELSWF-J51C1-0FPGS-C5700	3.5x3.5x2.36	2.65 - 3.85	700	○ Cool White	5700	252.0	280.0	70.0
ELSWF-J41C1-0FPHS-C5700	3.5x3.5x2.36	2.65 - 3.85	700	○ Cool White	5700	235.0	260.0	80.0
ELSWF-J51C1-0FPGS-C5000	3.5x3.5x2.36	2.65 - 3.85	700	○ Cool White	5000	252.0	280.0	70.0
ELSWF-J41C1-0FPHS-C5000	3.5x3.5x2.36	2.65 - 3.85	700	○ Cool White	5000	235.0	260.0	80.0
ELSWF-J41N1-0FPGS-C4000	3.5x3.5x2.36	2.65 - 3.85	700	○ Neutral White	4000	235.0	260.0	70.0
ELSWF-J31N1-0FPHS-C4000	3.5x3.5x2.36	2.65 - 3.85	700	○ Neutral White	4000	218.0	238.0	80.0
ELSWF-J21M1-0FPHS-C3000	3.5x3.5x2.36	2.65 - 3.85	700	● Warm White	3000	200.0	218.0	80.0
ELSWF-J21M1-0FPHS-C2700	3.5x3.5x2.36	2.65 - 3.85	700	● Warm White	2700	200.0	218.0	80.0

High Power LED | Shwo (F) 燦 (F)



UNIT : mm



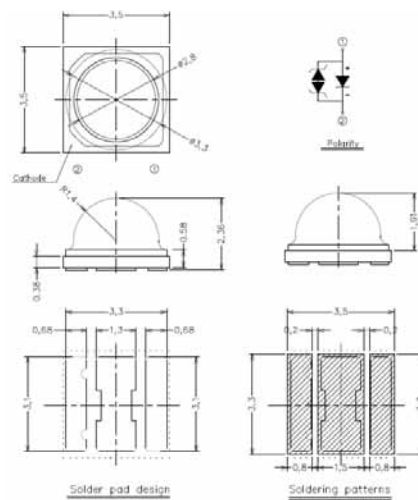
4W / 1000mA

Product	Size (LxWxHmm)	Forward Voltage(V)	Forward Current(mA)	Color	CCT (K)	Luminous Flux (Min.)	Luminous Flux (TYP)	CRI (min.)
ELSWF-J51C1-0FPGS-C6500	3.5x3.5x2.36	2.65 - 3.85	1000	○ Cool White	6500	336.0	372.0	70.0
ELSWF-J41C1-0FPHS-C6500	3.5x3.5x2.36	2.65 - 3.85	1000	○ Cool White	6500	315.0	350.0	80.0
ELSWF-J51C1-0FPGS-C5700	3.5x3.5x2.36	2.65 - 3.85	1000	○ Cool White	5700	336.0	372.0	70.0
ELSWF-J41C1-0FPHS-C5700	3.5x3.5x2.36	2.65 - 3.85	1000	○ Cool White	5700	315.0	350.0	80.0
ELSWF-J51C1-0FPGS-C5000	3.5x3.5x2.36	2.65 - 3.85	1000	○ Cool White	5000	336.0	372.0	70.0
ELSWF-J41C1-0FPHS-C5000	3.5x3.5x2.36	2.65 - 3.85	1000	○ Cool White	5000	315.0	350.0	80.0
ELSWF-J41N1-0FPGS-C4000	3.5x3.5x2.36	2.65 - 3.85	1000	○ Neutral White	4000	315.0	350.0	70.0
ELSWF-J31N1-0FPHS-C4000	3.5x3.5x2.36	2.65 - 3.85	1000	○ Neutral White	4000	288.0	315.0	80.0
ELSWF-J21M1-0FPHS-C3000	3.5x3.5x2.36	2.65 - 3.85	1000	● Warm White	3000	264.0	290.0	80.0
ELSWF-J21M1-0FPHS-C2700	3.5x3.5x2.36	2.65 - 3.85	1000	● Warm White	2700	264.0	290.0	80.0

High Power LED | Shwo (F) 爍 (F) High Performance



UNIT : mm



1W / 3V / 350mA

Product	Size (LxWxHmm)	Forward Voltage(V)	Forward Current(mA)	Color	CCT (K)	Luminous Flux (Min.)	Luminous Flux (TYP)	CRI (min.)
ELSWF-JH1C1-5FPGS-C6500	3.5x3.5x2.36	2.65 - 3.55	350	○ Cool White	6500	165.0	182.0	70.0
ELSWF-J61C1-5FPHS-C6500	3.5x3.5x2.36	2.65 - 3.55	350	○ Cool White	6500	150.0	165.0	80.0
ELSWF-JH1C1-5FPGS-C5700	3.5x3.5x2.36	2.65 - 3.55	350	○ Cool White	5700	165.0	182.0	70.0
ELSWF-J61C1-5FPHS-C5700	3.5x3.5x2.36	2.65 - 3.55	350	○ Cool White	5700	150.0	165.0	80.0
ELSWF-JH1C1-5FPGS-C5000	3.5x3.5x2.36	2.65 - 3.55	350	○ Cool White	5000	165.0	182.0	70.0
ELSWF-J61C1-5FPHS-C5000	3.5x3.5x2.36	2.65 - 3.55	350	○ Cool White	5000	150.0	165.0	80.0
ELSWF-J61N1-0FPGS-C4000	3.5x3.5x2.36	2.65 - 3.55	350	○ Neutral White	4000	150.0	165.0	70.0
ELSWF-J51N1-0FPHS-C4000	3.5x3.5x2.36	2.65 - 3.55	350	○ Neutral White	4000	140.0	155.0	80.0
ELSWF-J41M1-0FPHS-C3500	3.5x3.5x2.36	2.65 - 3.55	350	● Warm White	3500	130.0	143.0	80.0
ELSWF-J41M1-0FPHS-C3000	3.5x3.5x2.36	2.65 - 3.55	350	● Warm White	3000	130.0	143.0	80.0
ELSWF-J21M1-0FPHS-C2700	3.5x3.5x2.36	2.65 - 3.55	350	● Warm White	2700	130.0	143.0	80.0

3W / 3V / 700mA

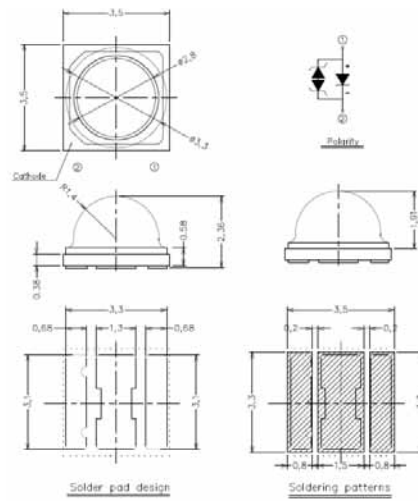
Product	Size (LxWxHmm)	Forward Voltage(V)	Forward Current(mA)	Color	CCT (K)	Luminous Flux (Min.)	Luminous Flux (TYP)	CRI (min.)
ELSWF-JH1C1-5FPGS-C6500	3.5x3.5x2.36	2.65 - 3.55	700	○ Cool White	6500	307.0	338.0	70.0
ELSWF-J61C1-5FPHS-C6500	3.5x3.5x2.36	2.65 - 3.55	700	○ Cool White	6500	280.0	307.0	80.0
ELSWF-JH1C1-5FPGS-C5700	3.5x3.5x2.36	2.65 - 3.55	700	○ Cool White	5700	307.0	338.0	70.0
ELSWF-J61C1-5FPHS-C5700	3.5x3.5x2.36	2.65 - 3.55	700	○ Cool White	5700	280.0	307.0	80.0
ELSWF-JH1C1-5FPGS-C5000	3.5x3.5x2.36	2.65 - 3.55	700	○ Cool White	5000	307.0	338.0	70.0
ELSWF-J61C1-5FPHS-C5000	3.5x3.5x2.36	2.65 - 3.55	700	○ Cool White	5000	280.0	307.0	80.0
ELSWF-J61N1-0FPGS-C4000	3.5x3.5x2.36	2.65 - 3.55	700	○ Neutral White	4000	280.0	307.0	70.0
ELSWF-J51N1-0FPHS-C4000	3.5x3.5x2.36	2.65 - 3.55	700	○ Neutral White	4000	260.0	286.0	80.0
ELSWF-J41M1-0FPHS-C3500	3.5x3.5x2.36	2.65 - 3.55	700	● Warm White	3500	242.0	266.0	80.0
ELSWF-J41M1-0FPHS-C3000	3.5x3.5x2.36	2.65 - 3.55	700	● Warm White	3000	242.0	266.0	80.0
ELSWF-J21M1-0FPHS-C2700	3.5x3.5x2.36	2.65 - 3.55	700	● Warm White	2700	242.0	266.0	80.0

High Power LED

High Power LED | Shwo (F) 爍 (F) High Performance



UNIT : mm



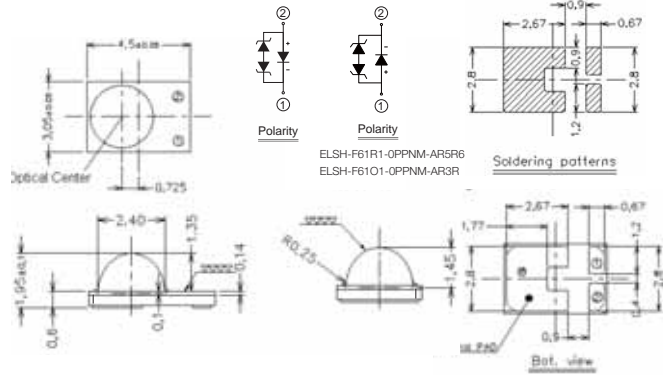
4W / 1000mA

Product	Size (LxWxHmm)	Forward Voltage(V)	Forward Current(mA)	Color	CCT (K)	Luminous Flux (Min.)	Luminous Flux (TYP)	CRI (min.)
ELSWF-JH1C1-5FPGS-C6500	3.5x3.5x2.36	2.65 - 3.55	1000	○ Cool White	6500	416.0	457.0	70.0
ELSWF-J61C1-5FPHS-C6500	3.5x3.5x2.36	2.65 - 3.55	1000	○ Cool White	6500	378.0	416.0	80.0
ELSWF-JH1C1-5FPGS-C5700	3.5x3.5x2.36	2.65 - 3.55	1000	○ Cool White	5700	416.0	457.0	70.0
ELSWF-J61C1-5FPHS-C5700	3.5x3.5x2.36	2.65 - 3.55	1000	○ Cool White	5700	378.0	416.0	80.0
ELSWF-JH1C1-5FPGS-C5000	3.5x3.5x2.36	2.65 - 3.55	1000	○ Cool White	5000	416.0	457.0	70.0
ELSWF-J61C1-5FPHS-C5000	3.5x3.5x2.36	2.65 - 3.55	1000	○ Cool White	5000	378.0	416.0	80.0
ELSWF-J61N1-0FPGS-C4000	3.5x3.5x2.36	2.65 - 3.55	1000	○ Neutral White	4000	378.0	416.0	70.0
ELSWF-J51N1-0FPHS-C4000	3.5x3.5x2.36	2.65 - 3.55	1000	○ Neutral White	4000	353.0	388.0	80.0
ELSWF-J41M1-0FPHS-C3500	3.5x3.5x2.36	2.65 - 3.55	1000	● Warm White	3500	328.0	360.0	80.0
ELSWF-J41M1-0FPHS-C3000	3.5x3.5x2.36	2.65 - 3.55	1000	● Warm White	3000	328.0	360.0	80.0
ELSWF-J21M1-0FPHS-C2700	3.5x3.5x2.36	2.65 - 3.55	1000	● Warm White	2700	328.0	360.0	80.0

High Power LED | White LED / Shuen炫



UNIT : mm



1W / 3V / 350mA

Product	Size (LxWxHmm)	Forward Voltage(V)	Forward Current(mA)	Color	CCT (K)	Luminous Flux (Min.)	Luminous Flux (TYP)	CRI (min.)
ELSH1-J31C1-0LPGS-C6500	3.05x4.5x1.95	2.95~3.85	350	○Cool White	6500	120.0	130	70.0
ELSH-J31C1-0LPGS-C5700	3.05x4.5x1.95	2.95~3.85	350	○Cool White	5700	120.0	130	70.0
ELSH-J31C1-0LPGS-C5000	3.05x4.5x1.95	2.95~3.85	350	○Cool White	5000	100.0	110	75.0
ELSH-J11N1-0LPGS-C4500	3.05x4.5x1.95	2.95~3.85	350	○Neutral White	4500	100.0	110	75.0
ELSH-J11N1-0LPGS-C4000	3.05x4.5x1.95	2.95~3.85	350	○Neutral White	4000	100.0	110	75.0
ELSH-F91M1-0LPGS-C3500	3.05x4.5x1.95	2.95~3.85	350	○Warm White	3500	90.0	100	75.0
ELSH-F91M1-0LPGS-C3000	3.05x4.5x1.95	2.95~3.85	350	○Warm White	3000	90.0	100	75.0
ELSH-F91M1-0LPGS-C2700	3.05x4.5x1.95	2.95~3.85	350	○Warm White	2700	90.0	100	75.0

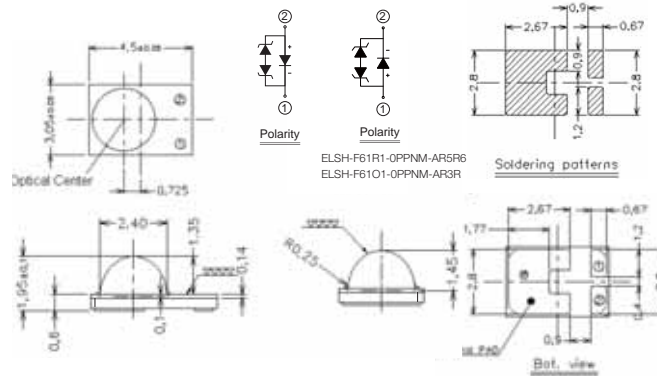
3W / 3V / 700mA

Product	Size (LxWxHmm)	Forward Voltage(V)	Forward Current(mA)	Color	CCT (K)	Luminous Flux (Min.)	Luminous Flux (TYP)	CRI (min.)
ELSH-J61C3-0LPGS-D6500	3.05x4.5x1.95	3.25~4.15	700	○Cool White	6500	140	155	70
ELSH-J61C3-0LPGS-D5700	3.05x4.5x1.95	3.25~4.15	700	○Cool White	5700	140	155	70
ELSH-J51C3-0LPGS-D5000	3.05x4.5x1.95	3.25~4.15	700	○Cool White	5000	130	145	70
ELSH-J41N3-0LPGS-D4500	3.05x4.5x1.95	3.25~4.15	700	○Neutral White	4500	125	135	75
ELSH-J31N3-0LPGS-D4000	3.05x4.5x1.95	3.25~4.15	700	○Neutral White	4000	115	125	75
ELSH-J21M3-0LPGS-D3500	3.05x4.5x1.95	3.25~4.15	700	○Warm White	3500	105	115	75
ELSH-J21M3-0LPGS-D3000	3.05x4.5x1.95	3.25~4.15	700	○Warm White	3000	105	115	75
ELSH-J21M3-0LPGS-D2700	3.05x4.5x1.95	3.25~4.15	700	○Warm White	2700	105	115	75

High Power LED | Monochromatic LED / Shuen炫



UNIT : mm



1W / 3V / 350mA

Product	Size (LxWxHmm)	Forward Voltage (V)	Forward Current (mA)	Color	Wavelength (nm)	Luminous Flux (Min.)	Luminous Flux (TYP)	CRI (min.)
*ELSH-F51R1-0LPNM-AR5R6	3.05x4.5x1.95	1.75~2.95	350	Red	620~630	60.0	66	--
*ELSH-F61R1-0PPNM-AR5R6	3.05x4.5x1.95	1.75~2.95	350	Red	620~630	70.0	77	--
ELSH-F51O1-0LPNM-AR3R4	3.05x4.5x1.95	1.75~2.95	350	Orange	610~620	60.0	66	--
ELSH-F61O1-0PPNM-AR3R4	3.05x4.5x1.95	1.75~2.95	350	Orange	610~620	70.0	77	--
ELSH-F41Y1-0LPNM-AA3A5	3.05x4.5x1.95	1.75~2.95	350	Amber	585~592.5	52.0	57.2	--
ELSH-F41Y1-0LPNM-AA4A6	3.05x4.5x1.95	1.75~2.95	350	Amber	587.5~595	60.0	66	--
ELSH-F81G1-0GPNM-CG1G2	3.05x4.5x1.95	2.95~3.85	350	Green	520~530	80.0	88	--
ELSH-F81G1-0GPNM-CG2G3	3.05x4.5x1.95	2.95~3.85	350	Green	525~535	90.0	99	--
*ELSH-E81B1-0LPNM-CB7B8	3.05x4.5x1.95	2.95~3.85	350	Blue	460~470	33.0	36.3	--
ELSH-Q91L1-0LPNM-CB4B6	3.05x4.5x1.95	2.95~3.85	350	Royal Blue	Wp 445~460	430.0	473 mW	--
*ELSH-Q91E1-0LPNM-JD3D8	3.05x4.5x1.95	2.05~2.95	350	Deep Red	Wp 645~675	330.0	363 mW	--
*ELSH-Q61F1-0LPNM-JF3F8	3.05x4.5x1.95	2.05~2.95	350	Far Red	Wp 715~745	225.0	248 mW	--

Star mark * : *Product lead time of at least 8 weeks.

3W / 3V / 700mA

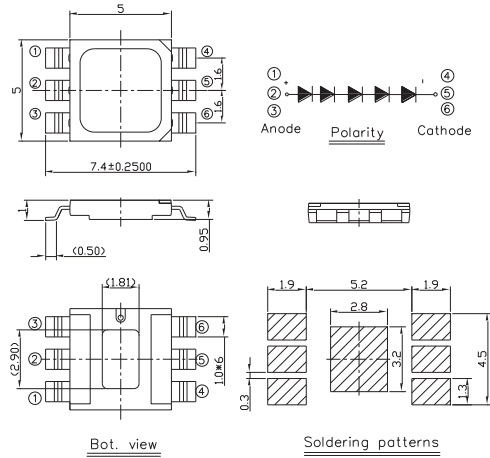
Product	Size (LxWxHmm)	Forward Voltage (V)	Forward Current (mA)	Color	Wavelength (nm)	Luminous Flux (Min.)	Luminous Flux (TYP)	CRI (min.)
ELSH-F91R3-0LPNM-BR4R6	3.05x4.5x1.95	2.05~3.25	700	Red	615~630	86	95	--
ELSH-F91Y3-0LPNM-BA3A5	3.05x4.5x1.95	2.05~3.25	700	Amber	585~592.5	86	95	--
ELSH-J11G3-0LPNM-DG1G3*	3.05x4.5x1.95	3.25~4.15	700	Green	520~535	95	105	--
ELSH-E91B3-0LPNM-DB6B8*	3.05x4.5x1.95	3.25~4.15	700	Blue	455~470	23	25	--

High Power LED

High Power LED | A23



UNIT : mm



5050 -Traditional Bin / 1W / 3V / 350mA

Product	Size (LxWxHmm)	Forward Voltage (V)	Forward Current (mA)	Color	CCT (K)	Luminous Flux (Min.)	Luminous Flux (TYP)	CRI (min.)
EHP-A23/LM21H-P01/3845/Y/K43/TR	5.0x5.0x0.95	2.95~3.85	350	● Warm White	3800 - 4500	95	98	70.0
EHP-A23/LM21H-P01/3238/Y/K42/TR	5.0x5.0x0.95	2.95~3.85	350	● Warm White	3200 - 3800	90	95	70.0
EHP-A23/LM21H-P01/3035/Y/K42/TR	5.0x5.0x0.95	2.95~3.85	350	● Warm White	3000 - 3500	90	94	70.0
EHP-A23/LM21H-P01/2832/Y/K42/TR	5.0x5.0x0.95	2.95~3.85	350	● Warm White	2800 - 3200	90	93	70.0
EHP-A23/GT21H-P01/5670/Y/K51/TR	5.0x5.0x0.95	2.95~3.85	350	○ Cool White	5600 - 7000	100	106	65.0
EHP-A23/GT21H-P01/5063/Y/K51/TR	5.0x5.0x0.95	2.95~3.85	350	○ Cool White	5000 - 6300	100	108	65.0
EHP-A23/GT21H-P01/4556/Y/K43/TR	5.0x5.0x0.95	2.95~3.85	350	○ Cool White	4500 - 5600	95	99	65.0

5050 -Traditional Bin-Color / 1W / 3V / 350mA

Product	Size (LxWxHmm)	Forward Voltage (V)	Forward Current (mA)	Color	Wavelength (nm)	Luminous Flux (Min.)	Luminous Flux (TYP)	CRI (min.)
EHP-A23/UB01H-P01/B7B8/F3/TR	5.0x5.0x0.95	2.95~3.85	350	● Blue	460-470	13	17	-
EHP-A23/SUG01H-P01/G1G2/K31/TR	5.0x5.0x0.95	2.95~3.85	350	● Green	520-530	70	81	-

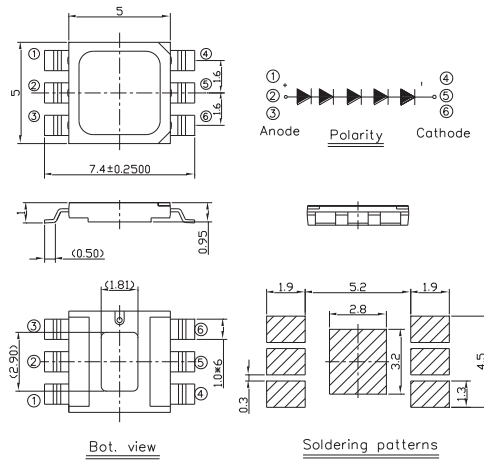
5050 -Traditional Bin / 1W / 15V / 80mA

Product	Size (LxWxHmm)	Forward Voltage (V)	Forward Current (mA)	Color	CCT (K)	Luminous Flux (Min.)	Luminous Flux (TYP)	CRI (min.)
EHP-A23/LM35H-P01/3845/Y/K52/TR	5.0x5.0x0.95	13.5-16.5	80	● Warm White	3800 - 4500	110.0	118.0	70.0
EHP-A23/LM35H-P01/3238/Y/ K52/TR	5.0x5.0x0.95	13.5-16.5	80	● Warm White	3200 - 3800	110.0	116.0	70.0
EHP-A23/LM35H-P01/3035/Y/ K52/TR	5.0x5.0x0.95	13.5-16.5	80	● Warm White	3000 - 3500	110.0	116.0	70.0
EHP-A23/LM35H-P01/2832/Y/ K52/TR	5.0x5.0x0.95	13.5-16.5	80	● Warm White	2800 - 3200	110.0	115.0	70.0
EHP-A23/KM35H-P01/2832/Y/K51 /TR	5.0x5.0x0.95	13.5-16.5	80	● Warm White	2800 - 3200	100.0	112.0	80.0
EHP-A23/GT35H-P01/5670/Y/ K53/TR	5.0x5.0x0.95	13.5-16.5	80	○ Cool White	5600 - 7000	120.0	131.0	65.0
EHP-A23/GT35H-P01/5063/Y/N11/TR	5.0x5.0x0.95	13.5-16.5	80	○ Cool White	5000 - 6300	130.0	136.0	65.0
EHP-A23/GT35H-P01/5063/Y/N12/TR	5.0x5.0x0.95	13.5-16.5	80	○ Cool White	5000 - 6300	140.0	144.0	65.0
EHP-A23/GT35H-P01/4556/Y/K53/TR	5.0x5.0x0.95	13.5-16.5	80	○ Cool White	4500 - 5600	120.0	130.0	65.0
EHP-A23/KT35H-P01/5063/Y/K53/TR	5.0x5.0x0.95	13.5-16.5	80	○ Cool White	5000 - 6300	120.0	126.0	80.0

High Power LED | A23



UNIT : mm



High Power LED

5050 -Traditional Bin / 3W / 15V / 150mA

Product	Size (LxWxHmm)	Forward Voltage (V)	Forward Current (mA)	Color	CCT (K)	Luminous Flux (Min.)	Luminous Flux (TYP)	CRI (min.)
EHP-A23/LM35H-P01/3845/Y/K52/TR	5.0x5.0x0.95	14.7-17.7	150	● Warm White	3800 - 4500	200.0	224.0	70.0
EHP-A23/LM35H-P01/3238/Y/ K52/TR	5.0x5.0x0.95	14.7-17.7	150	● Warm White	3200 - 3800	200.0	221.0	70.0
EHP-A23/LM35H-P01/3035/Y/ K52/TR	5.0x5.0x0.95	14.7-17.7	150	● Warm White	3000 - 3500	200.0	218.0	70.0
EHP-A23/LM35H-P01/2832/Y/ K52/TR	5.0x5.0x0.95	14.7-17.7	150	● Warm White	2800 - 3200	200.0	215.0	70.0
EHP-A23/KM35H-P01/2832/Y/K51/TR	5.0x5.0x0.95	14.7-17.7	150	● Warm White	2800 - 3200	180.0	197.0	80.0
EHP-A23/GT35H-P01/5670/Y/ K53/TR	5.0x5.0x0.95	14.7-17.7	150	○ Cool White	5600 - 7000	200.0	236.0	65.0
EHP-A23/GT35H-P01/5063/Y/N11/TR	5.0x5.0x0.95	14.7-17.7	150	○ Cool White	5000 - 6300	200.0	245.0	65.0
EHP-A23/GT35H-P01/5063/Y/N12/TR	5.0x5.0x0.95	14.7-17.7	150	○ Cool White	5000 - 6300	225.0	254.0	65.0
EHP-A23/GT35H-P01/4556/Y/K53/TR	5.0x5.0x0.95	14.7-17.7	150	○ Cool White	4500 - 5600	200.0	230.0	65.0
EHP-A23/KT35H-P01/5063/Y/K53/TR	5.0x5.0x0.95	14.7-17.7	150	○ Cool White	5000 - 6300	200.0	221.0	80.0

5050-ANSI bin / 3W / 15V / 150mA

Product	Size (LxWxHmm)	Forward Voltage (V)	Forward Current (mA)	Color	CCT (K)	Luminous Flux (Min.)	Luminous Flux (TYP)	CRI (min.)
EHP-A23/KM35H-P01/30K/K51/TR	5.0x5.0x0.95	13.6-16.5	80	● Warm White	3000	110	114	80
EHP-A23/KM35H-P01/30K/K51/TR	5.0x5.0x0.95	14.7-17.7	150	● Warm White	3000	180	197	80

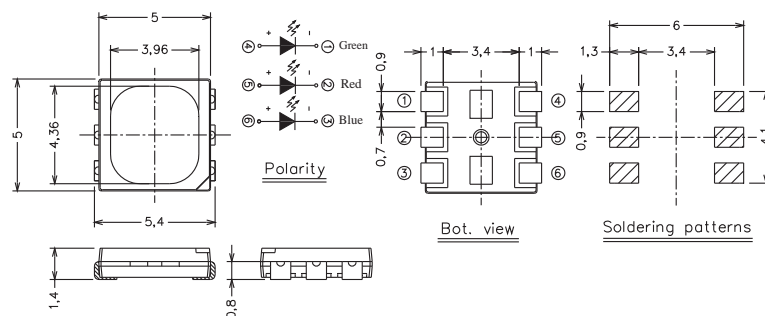
5050 - Color LED / 1W / 100mA

Product	Size (LxWxHmm)	Forward Voltage (V)	Forward Current (mA)	Color	Wavelength (nm)	Luminous Flux (Min.)	Luminous Flux (TYP)	CRI (min.)
EHP-A23/ RGB33-P01/TR	5.0x5.0x0.95	1.8 - 2.6	100	● Red	620-630	10	16	-
	5.0x5.0x0.95	2.9 - 3.4	100	● Green	525-535	18	26	-
	5.0x5.0x0.95	2.8 - 3.3	100	● Blue	457-467	3	7	-

High Power LED | A23



UNIT : mm

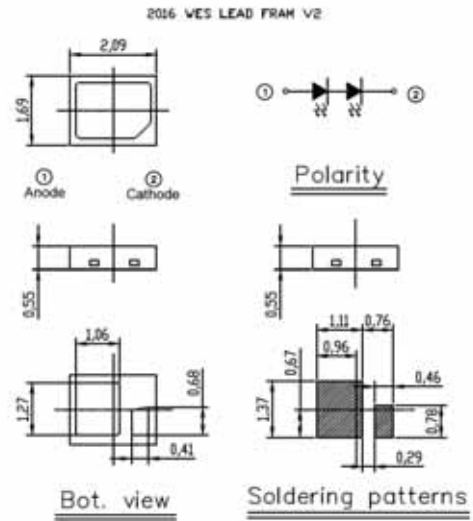


Product	Size (LxWxHmm)	Color	λ_d (nm)/CIE(x,y)	I_V Min./Typ. (mcd)	I_V Max. (mcd)	V_F Min./Typ. (V)	V_F Max. (V)	I_F (mA)
61-238UMC/S3085/TR8/LT	5.0x5.0x1.4	○ White	x=0.289~0.311 y=0.283~0.333	4000	6000	2.7	3.6	20

Low Middle Power LED | XI2016



UNIT : mm



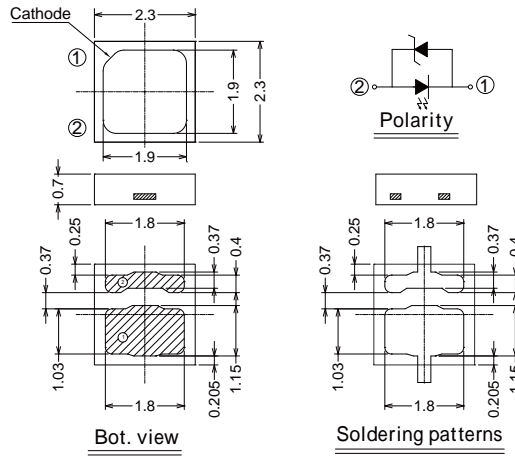
0.4W / 6V / 60mA

Product	Size (LxWxHmm)	Forward Voltage (V)	Forward Current (mA)	Color	CCT (K)	Luminous Flux (Min.)	Luminous Flux (TYP)	CRI (min.)
XI2016/KK1C-H2727PBR358661Z6/2N	2.09x1.69x0.55	5.8-6.6	60	● Warm White	2700	40	45	80
XI2016/KK1C-H3030QAR358661Z6/2N	2.09x1.69x0.55	5.8-6.6	60	● Warm White	3000	45	47	80
XI2016/KK1C-H3535QAR358661Z6/2N	2.09x1.69x0.55	5.8-6.6	60	● Warm White	3500	45	47	80
XI2016/KK1C-H4040QAR358661Z6/2N	2.09x1.69x0.55	5.8-6.6	60	○ Neutral White	4000	45	47	80
XI2016/KK1C-H5050QAR458661Z6/2N	2.09x1.69x0.55	5.8-6.6	60	○ Cool White	5000	47.5	49	80
XI2016/KK1C-H5757QAR458661Z6/2N	2.09x1.69x0.55	5.8-6.6	60	○ Cool White	5700	47.5	49	80
XI2016/KK1C-H6565QAR458661Z6/2N	2.09x1.69x0.55	5.8-6.6	60	○ Cool White	6500	47.5	49	80

Low Middle Power LED | XI2323



UNIT : mm

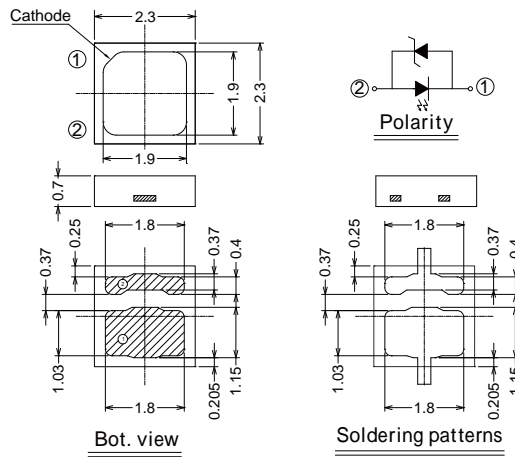


0.2W / 3V / 60mA

Product	Size (LxWxHmm)	Forward Voltage (V)	Forward Current (mA)	Color	CCT (K)	Luminous Flux (Min.)	Luminous Flux (TYP)	CRI (min.)
XI2323/KK3C-H2727M3N4B63Z6/2T	2.3x2.3x0.7	2.6-3.3	60	● Warm White	2700	17	19	80
XI2323/KK3C-H3030M3P3B63Z6/2T	2.3x2.3x0.7	2.6-3.3	60	● Warm White	3000	18	20	80
XI2323/KK3C-H4040M3P3B63Z6/2T	2.3x2.3x0.7	2.6-3.3	60	○ Neutral White	4000	18	20	80
XI2323/KK3C-H5050M4P3B63Z6/2T	2.3x2.3x0.7	2.6-3.3	60	○ Cool White	5000	19	21	80
XI2323/KK3C-H5757M4P3B63Z6/2T	2.3x2.3x0.7	2.6-3.3	60	○ Cool White	5700	19	21	80
XI2323/KK3C-H6565M4P3B63Z6/2T	2.3x2.3x0.7	2.6-3.3	60	○ Cool White	6500	19	21	80



UNIT : mm



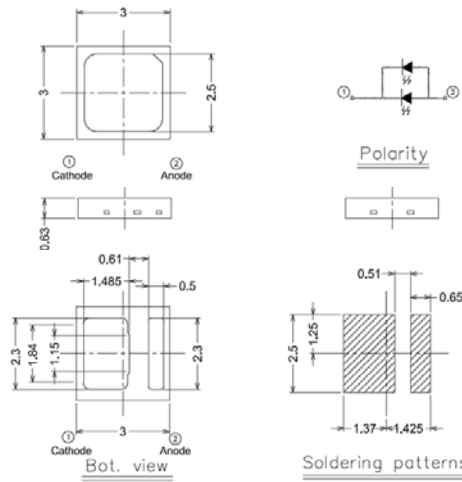
0.5W / 3V / 150mA

Product	Size (LxWxHmm)	Forward Voltage (V)	Forward Current (mA)	Color	CCT (K)	Luminous Flux (Min.)	Luminous Flux (TYP)	CRI (min.)
XI2323/KK1C-H2727P4R327381Z15/2N	2.3x2.3x0.7	2.7~3.8	150	● Warm White	2580-2870	39	44	80
XI2323/KK1C-H3030Q3R427381Z15/2N	2.3x2.3x0.7	2.7~3.8	150	● Warm White	2870-3220	45	48	80
XI2323/KK1C-H4040Q3R427381Z15/2N	2.3x2.3x0.7	2.7~3.8	150	○ Neutral White	3710-4260	45	49	80
XI2323/KK1C-H5050R1R527381Z15/2N	2.3x2.3x0.7	2.7~3.8	150	○ Cool White	4745-5310	50	53	80
XI2323/KK1C-H5757R1R527381Z15/2N	2.3x2.3x0.7	2.7~3.8	150	○ Cool White	5310-6020	50	53	80
XI2323/KK1C-H6565R1R527381Z15/2N	2.3x2.3x0.7	2.7~3.8	150	○ Cool White	6020-7050	50	53	80

Low Middle Power LED | XI3030



UNIT : mm



1W / 6V / 150mA

Product	Size (LxWxHmm)	Forward Voltage (V)	Forward Current (mA)	Color	CCT (K)	Luminous Flux (Min.)	Luminous Flux (TYP)	CRI (min.)
XI3030/KK4C-H2727S3S758701Z15/2N	3.0x3.0x0.63	5.8~7.0	150	● Warm White	2580-2870	120	125	80
XI3030/KK4C-H3030S3S758701Z15/2N	3.0x3.0x0.63	5.8~7.0	150	● Warm White	2870-3220	125	136	80
XI3030/KK4C-H4040S3S758701Z15/2N	3.0x3.0x0.63	5.8~7.0	150	○ Neutral White	3710-4260	125	136	80
XI3030/KK4C-H5050S4S858701Z15/2N	3.0x3.0x0.63	5.8~7.0	150	○ Cool White	4745-5310	130	139	80
XI3030/KK4C-H5757S4S858701Z15/2N	3.0x3.0x0.63	5.8~7.0	150	○ Cool White	5310-6020	130	139	80
XI3030/KK4C-H6565S4S858701Z15/2N	3.0x3.0x0.63	5.8~7.0	150	○ Cool White	6020-7050	130	139	80
XI3030/HK4C-H2727R8S458661Z15/2N	3.0x3.0x0.63	5.8~6.6	150	● Warm White	2580-2870	90	100	90
XI3030/HK4C-H2727R8S458661Z15/2N	3.0x3.0x0.63	5.8~6.6	200	● Warm White	2580-2870	120	131	90

1W / 24V / 40mA

Product	Size (LxWxHmm)	Forward Voltage (V)	Forward Current (mA)	Color	CCT (K)	Luminous Flux (Min.)	Luminous Flux (TYP)	CRI (min.)
XI3030-KK1C-H2727S2S32202602Z4/2N	3.0x3.0x0.63	22.0~26.0	40	● Warm White	2580-2870	115	123	80
XI3030-KK1C-H3030S2S32202602Z4/2N	3.0x3.0x0.63	22.0~26.0	40	● Warm White	2870-3220	115	123	80
XI3030-KK1C-H4040S2S32202602Z4/2N	3.0x3.0x0.63	22.0~26.0	40	○ Neutral White	3710-4260	115	123	80
XI3030-KK1C-H5050S3S42202602Z4/2N	3.0x3.0x0.63	22.0~26.0	40	○ Cool White	4745-5310	120	130	80
XI3030-KK1C-H5757S3S42202602Z4/2N	3.0x3.0x0.63	22.0~26.0	40	○ Cool White	5310-6020	120	130	80
XI3030-KK1C-H6565S3S42202602Z4/2N	3.0x3.0x0.63	22.0~26.0	40	○ Cool White	6020-7050	120	130	80

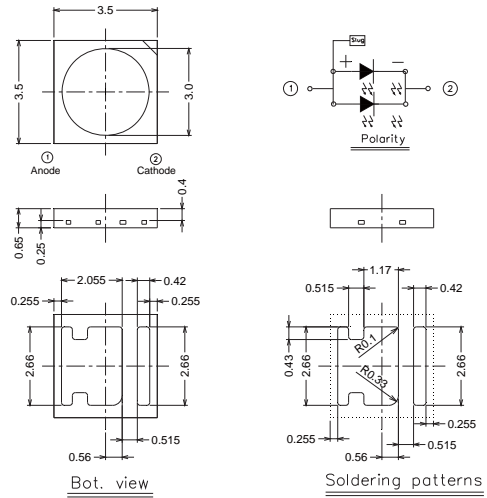
1W / 48V / 20mA

Product	Size (LxWxHmm)	Forward Voltage (V)	Forward Current (mA)	Color	CCT (K)	Luminous Flux (Min.)	Luminous Flux (TYP)	CRI (min.)
XI3030/KK3C-H2727S2S64305101Z2/2N	3.0x3.0x0.63	43.0~51.0	20	● Warm White	2580-2870	115	123	80
XI3030/KK3C-H3030S2S64305101Z2/2N	3.0x3.0x0.63	43.0~51.0	20	● Warm White	2870-3220	115	123	80
XI3030-KK1C-H4040S2S64305101Z2/2N	3.0x3.0x0.63	43.0~51.0	20	○ Neutral White	3710-4260	115	123	80
XI3030-KK1C-H5050S3S74305101Z2/2N	3.0x3.0x0.63	43.0~51.0	20	○ Cool White	4745-5310	120	130	80
XI3030-KK1C-H5757S3S74305101Z2/2N	3.0x3.0x0.63	43.0~51.0	20	○ Cool White	5310-6020	120	130	80
XI3030-KK1C-H6565S3S74305101Z2/2N	3.0x3.0x0.63	43.0~51.0	20	○ Cool White	6020-7050	120	130	80

Low Middle Power LED | XI3535



UNIT : mm



1W / 3V / 350mA

Product	Size (LxWxHmm)	Forward Voltage (V)	Forward Current (mA)	Color	CCT (K)	Luminous Flux (Min.)	Luminous Flux (TYP)	CRI (min.)
XI3535-KM277F9-03201-000P	3.5x3.5x0.65	2.95-3.85	350	● Warm White	2700	90.0	100.0	80.0
XI3535-KM307F9-03201-000P	3.5x3.5x0.65	2.95-3.85	350	● Warm White	3000	90.0	104.0	80.0
XI3535-KM357F9-03201-000P	3.5x3.5x0.65	2.95-3.85	350	● Warm White	3500	90.0	105.0	80.0
XI3535-HM307F8-03201-000P	3.5x3.5x0.65	2.95-3.85	350	● Warm White	3000	80.0	84.0	93.0
XI3535-KM407F9-03201-000P	3.5x3.5x0.65	2.95-3.85	350	○ Neutral White	4000	90.0	107.0	80.0
XI3535-KT507J1-03201-000P	3.5x3.5x0.65	2.95-3.85	350	○ Cool White	5000	100.0	110.0	80.0
XI3535-KT577J1-03201-000P	3.5x3.5x0.65	2.95-3.85	350	○ Cool White	5700	100.0	111.0	80.0
XI3535-KT607J1-03201-000P	3.5x3.5x0.65	2.95-3.85	350	○ Cool White	6000	100.0	109.0	80.0
XI3535-KT657J1-03201-000P	3.5x3.5x0.65	2.95-3.85	350	○ Cool White	6500	100.0	108.0	80.0
XI3535-PT577F9-03201-000P	3.5x3.5x0.65	2.95-3.85	350	○ Cool White	5700	90.0	97.0	90.0

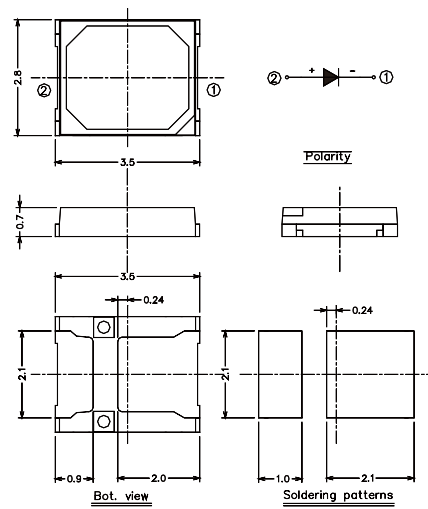
1W / 6V / 150mA

Product	Size (LxWxHmm)	Forward Voltage (V)	Forward Current (mA)	Color	CCT (K)	Luminous Flux (Min.)	Luminous Flux (TYP)	CRI (min.)
XI3535-KM277J2-06101-000P	3.5x3.5x0.65	6.0-6.6	150	● Warm White	2580-2870	110.0	113.0	80.0
XI3535-KM307J2-06101-000P	3.5x3.5x0.65	6.0-6.6	150	● Warm White	2870-3220	110.0	118.0	80.0
XI3535-KM407J2-06101-000P	3.5x3.5x0.65	6.0-6.6	150	● Warm White	3710-4260	115.0	119.0	80.0
XI3535-KT507J3-06101-000P	3.5x3.5x0.65	6.0-6.6	150	● Warm White	4745-5310	120.0	124.0	80.0
XI3535-KT577J3-06101-000P	3.5x3.5x0.65	6.0-6.6	150	○ Neutral White	5310-6020	120.0	125.0	80.0
XI3535-KT657J3-06101-000P	3.5x3.5x0.65	6.0-6.6	150	○ Cool White	6020-7050	120.0	123.0	80.0

Low Middle Power LED | 67-21S (2835)



UNIT : mm



2835-HE / 0.2W / 65mA

Product	Size (LxWxHmm)	Forward Voltage (V)	Forward Current (mA)	Color	CCT (K)	Luminous Flux (Min.)	Luminous Flux (TYP)	CRI (min.)	Luminous Efficacy (lm/W)
67-21S/KK4C-M2727V7X72532U6/2T	2.8x3.5x0.7	2.5~3.2	65	● Warm White	2700	27	30	80	160
67-21S/KK4C-M3030V8X82532U6/2T	2.8x3.5x0.7	2.5~3.2	65	● Warm White	3000	28	31	80	166
67-21S/KK4C-M4040V9X92532U6/2T	2.8x3.5x0.7	2.5~3.2	65	○ Neutral White	4000	29	32	80	172
67-21S/KK4C-M5050X0Y02532U6/2T	2.8x3.5x0.7	2.5~3.2	65	○ Cool White	5000	30	33	80	178
67-21S/KK4C-M5757X0Y02532U6/2T	2.8x3.5x0.7	2.5~3.2	65	○ Cool White	5700	30	33	80	178
67-21S/KK4C-M6565V9X92532U6/2T	2.8x3.5x0.7	2.5~3.2	65	○ Cool White	6500	29	32	80	172

2835-Standard / 0.2W / 60mA

Product	Size (LxWxHmm)	Forward Voltage (V)	Forward Current (mA)	Color	CCT (K)	Luminous Flux (Min.)	Luminous Flux (TYP)	CRI (min.)
67-21S/KK5C-H2727N3N4B2532Z6/2T	2.8x3.5x0.7	2.5~3.2	60	● Warm White	2700	24	26	80
67-21S/KK5C-H3030N3P02532Z6/2T	2.8x3.5x0.7	2.5~3.2	60	● Warm White	3000	25	28	80
67-21S/KK5C-H4040N3P02532Z6/2T	2.8x3.5x0.7	2.5~3.2	60	○ Neutral White	4000	26	29	80
67-21S/KK5C-H5050N4P02532Z6/2T	2.8x3.5x0.7	2.5~3.2	60	○ Cool White	5000	27	30	80
67-21S/KK5C-H5757N4P02532Z6/2T	2.8x3.5x0.7	2.5~3.2	60	○ Cool White	5700	27	30	80
67-21S/KK5C-H6060N4P02532Z6/2T	2.8x3.5x0.7	2.5~3.2	60	○ Cool White	6000	27	30	80
67-21S/KK5C-H6565N4P02532Z6/2T	2.8x3.5x0.7	2.5~3.2	60	○ Cool White	6500	27	30	80

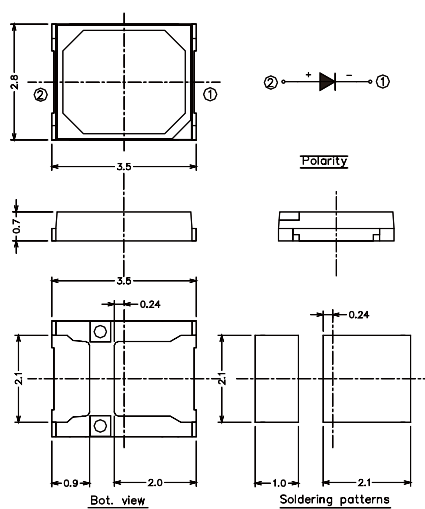
2835-Standard / 0.5W / 150mA

Product	Size (LxWxHmm)	Forward Voltage (V)	Forward Current (mA)	Color	CCT (K)	Luminous Flux (Min.)	Luminous Flux (TYP)	CRI (min.)
67-21S/KK5C-H2727R2R52834Z15/2T	2.8x3.5x0.7	2.8 - 3.5	150	● Warm White	2700	55	60	80
67-21S/KK5C-H3030R3R62834Z15/2T	2.8x3.5x0.7	2.8 - 3.5	150	● Warm White	3000	60	65	80
67-21S/KK5C-H4040R3R62834Z15/2T	2.8x3.5x0.7	2.8 - 3.5	150	○ Neutral White	4000	60	65	80
67-21S/KK5C-H5050R4R72834Z15/2T	2.8x3.5x0.7	2.8 - 3.5	150	○ Cool White	5000	65	70	80
67-21S/KK5C-H5757R4R72834Z15/2T	2.8x3.5x0.7	2.8 - 3.5	150	○ Cool White	5700	65	70	80
67-21S/KK5C-H6565R4R72834Z15/2T	2.8x3.5x0.7	2.8 - 3.5	150	○ Cool White	6500	65	70	80

Low Middle Power LED | 67-21S (2835)



UNIT : mm



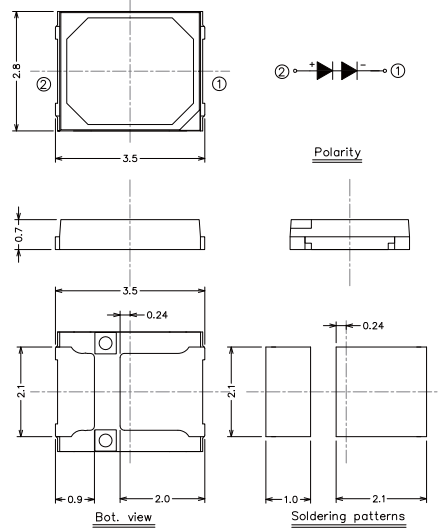
2835-CRI90 / 0.5W / 150mA

Product	Size (LxWxHmm)	Forward Voltage (V)	Forward Current (mA)	Color	CCT (K)	Luminous Flux (Min.)	Luminous Flux (TYP)	CRI (min.)
67-21S/HK4C-H2727QA1R32834Z15/2T	2.8x3.5x0.7	2.8~3.4	150	● Warm White	2700	47	52	90
67-21S/HK4C-H3030R1R42834Z15/2T	2.8x3.5x0.7	2.8~3.4	150	● Warm White	3000	50	55	90
67-21S/HK4C-H4040R11R42834Z15/2T	2.8x3.5x0.7	2.8~3.4	150	○ Neutral White	4000	53	58	90
67-21S/HK4C-H5050R2R52834Z15/2T	2.8x3.5x0.7	2.8~3.4	150	○ Cool White	5000	55	61	90
67-21S/HK4C-H5757R2R52834Z15/2T	2.8x3.5x0.7	2.8~3.4	150	○ Cool White	5700	55	61	90
67-21S/HK4C-H6565R2R52834Z15/2T	2.8x3.5x0.7	2.8~3.4	150	○ Cool White	6500	55	61	90

Low Middle Power LED | 67-22ST (2835-2S)



UNIT : mm



2835-Standard-ANSI / 0.5W / 6V / 80mA

Product	Size (LxWxHmm)	Forward Voltage (V)	Forward Current (mA)	Color	CCT (K)	Luminous Flux (Min.)	Luminous Flux (TYP)	CRI (min.)
67-22ST/KK3C-H272700005664Z8/2T	2.8x3.5x0.7	5.6 - 6.4	80	● Warm White	2700	54	59	80
67-22ST/KK3C-H303000005664Z8/2T	2.8x3.5x0.7	5.6 - 6.4	80	● Warm White	3000	57	63	80
67-22ST/KK3C-H404000005664Z8/2T	2.8x3.5x0.7	5.6 - 6.4	80	○ Neutral White	4000	62	68	80
67-22ST/KK3C-H505000005664Z8/2T	2.8x3.5x0.7	5.6 - 6.4	80	○ Cool White	5000	62	68	80
67-22ST/KK3C-H575700005664Z8/2T	2.8x3.5x0.7	5.6 - 6.4	80	○ Cool White	5700	62	68	80
67-22ST/KK3C-H656500005664Z8/2T	2.8x3.5x0.7	5.6 - 6.4	80	○ Cool White	6500	62	68	80

2835-Standard-ANSI / 1W / 6V / 150mA

Product	Size (LxWxHmm)	Forward Voltage (V)	Forward Current (mA)	Color	CCT (K)	Luminous Flux (Min.)	Luminous Flux (TYP)	CRI (min.)
67-22ST/KK5C-H2727S3S758701Z15/2T	2.8x3.5x0.7	5.6-7.0	150	● Warm White	2700	120	125	80
67-22ST/KK5C-H3030S3S758701Z15/2T	2.8x3.5x0.7	5.6-7.0	150	● Warm White	3000	125	136	80
67-22ST/KK5C-H4040S3S758701Z15/2T	2.8x3.5x0.7	5.6-7.0	150	○ Neutral White	4000	125	136	80
67-22ST/KK5C-H5050S4S858701Z15/2T	2.8x3.5x0.7	5.6-7.0	150	○ Cool White	5000	130	139	80
67-22ST/KK5C-H5757S4S858701Z15/2T	2.8x3.5x0.7	5.6-7.0	150	○ Cool White	5700	130	139	80
67-22ST/KK5C-H6565S4S858701Z15/2T	2.8x3.5x0.7	5.6-7.0	150	○ Cool White	6500	130	139	80

2835-Standard-ERP / 1W / 6V / 150mA

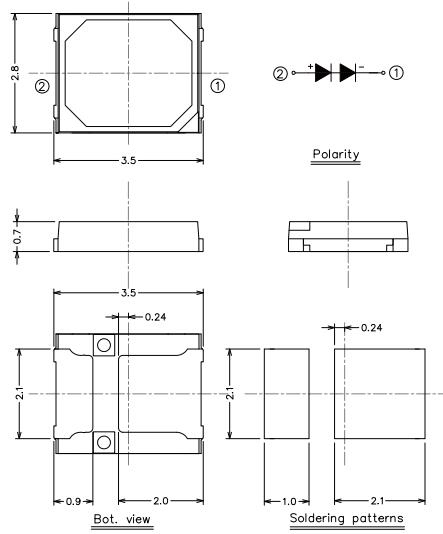
Product	Size (LxWxHmm)	Forward Voltage (V)	Forward Current (mA)	Color	CCT (K)	Luminous Flux (Min.)	Luminous Flux (TYP)	CRI (min.)
67-22ST/KK4C-7E2727S2BS65670Z15/2T	2.8x3.5x0.7	5.6-7.0	150	● Warm White	2700	115	127	80
67-22ST/KK4C-7E3030S3S75670Z15/2T	2.8x3.5x0.7	5.6-7.0	150	● Warm White	3000	120	132	80
67-22ST/KK4C-7E4040S3S75670Z15/2T	2.8x3.5x0.7	5.6-7.0	150	○ Neutral White	4000	120	132	80
67-22ST/KK4C-7E5050S3BS75670Z15/2T	2.8x3.5x0.7	5.6-7.0	150	○ Cool White	5000	125	138	80
67-22ST/KK4C-7E6565S3BS75670Z15/2T	2.8x3.5x0.7	5.6-7.0	150	○ Cool White	6500	125	138	80

Low Middle Power LED

Low Middle Power LED | 67-22ST (2835-2S)



UNIT : mm



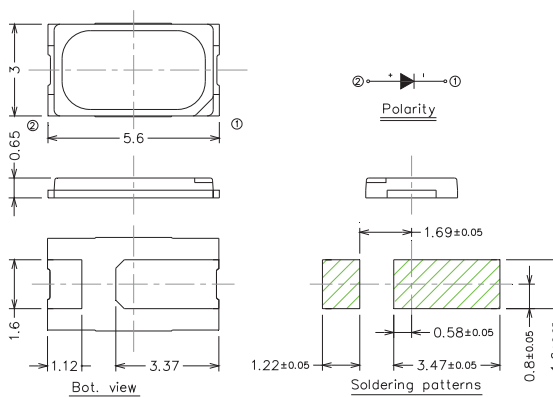
2835-CRI90 / 1W / 6V / 150mA

Product	Size (LxWxHmm)	Forward Voltage (V)	Forward Current (mA)	Color	CCT (K)	Luminous Flux (Min.)	Luminous Flux (TYP)	CRI (min.)
67-22ST/HK4C-H2727R8S25868Z15/2T	2.8x3.5x0.7	5.8-6.8	150	● Warm White	2700	90	99	90
67-22ST/HK4C-H3030R8BS35868Z15/2T	2.8x3.5x0.7	5.8-6.8	150	● Warm White	3000	95	105	90
67-22ST/HK4C-H4040S1S45868Z15/2T	2.8x3.5x0.7	5.8-6.8	150	○ Neutral White	4000	100	110	90
67-22ST/HK4C-H5050S1S45868Z15/2T	2.8x3.5x0.7	5.8-6.8	150	○ Cool White	5000	100	110	90
67-22ST/HK4C-H5757S1S45868Z15/2T	2.8x3.5x0.7	5.8-6.8	150	○ Cool White	5700	100	110	90
67-22ST/HK4C-H6565S1S45868Z15/2T	2.8x3.5x0.7	5.8-6.8	150	○ Cool White	6500	100	110	90

Low Middle Power LED | 62-217D (5630)



UNIT : mm



5630-HE / 0.2W / 3V / 65mA

Product	Size (LxWxHmm)	Forward Voltage (V)	Forward Current (mA)	Color	CCT (K)	Luminous Flux (Min.)	Luminous Flux (TYP)	CRI (min.)	Luminous Efficacy (lm/W)
62-217D/KK5D-3M2727X0Y02530U6/2T	5.6x3.0x0.65	2.5 - 3.0	65	● Warm White	2700	30	31	80	170
62-217D/KK5D-3M3030X1Y12530U6/2T	5.6x3.0x0.65	2.5 - 3.0	65	● Warm White	3000	31	32	80	176
62-217D/KK5D-3M4040X2Y22530U6/2T	5.6x3.0x0.65	2.5 - 3.0	65	○ Neutral White	4000	32	33	80	181
62-217D/KK5D-3M5050X3Y32530U6/2T	5.6x3.0x0.65	2.5 - 3.0	65	○ Cool White	5000	33	34	80	187
62-217D/KK5D-3M5757X3Y32530U6/2T	5.6x3.0x0.65	2.5 - 3.0	65	○ Cool White	5700	33	34	80	187
62-217D/KK5D-3M6565X2Y22530U6/2T	5.6x3.0x0.65	2.5 - 3.0	65	○ Cool White	6500	32	33	80	181

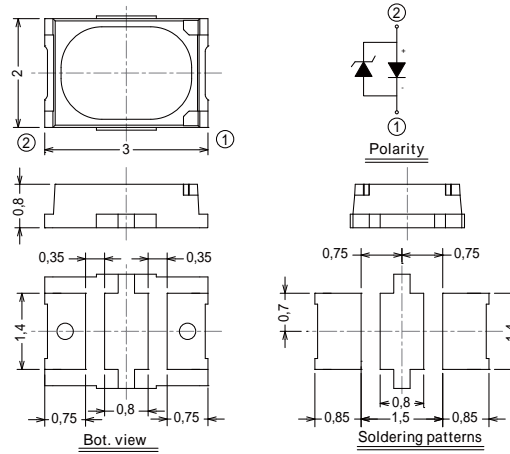
5630-Standard / 0.5W / 3V / 150mA

Product	Size (LxWxHmm)	Forward Voltage (V)	Forward Current (mA)	Color	CCT (K)	Luminous Flux (Min.)	Luminous Flux (TYP)	CRI (min.)
62-217D/KK5D-H2727R2R52834Z15/2T	5.6x3.0x0.65	2.5~3.4	150	● Warm White	2700	55	61	70
62-217D/KK5D-H3030R3R62834Z15/2T	5.6x3.0x0.65	2.5~3.4	150	● Warm White	3000	60	66	75
62-217D/KK5D-H4040R4R72834Z15/2T	5.6x3.0x0.65	2.5~3.4	150	○ Neutral White	4000	65	72	80
62-217D/KK5D-H5050R4R72834Z15/2T	5.6x3.0x0.65	2.5~3.4	150	○ Cool White	5000	65	72	80
62-217D/KK5D-H5757R4R72834Z15/2T	5.6x3.0x0.65	2.5~3.4	150	○ Cool White	5700	65	72	80
62-217D/KK5D-H6565R4R72834Z15/2T	5.6x3.0x0.65	2.5~3.4	150	○ Cool White	6500	65	72	80

Low Middle Power LED | 45-21S (3020)



UNIT : mm



3020 / 0.1W / 3V / 30mA

Product	Size (LxWxHmm)	Forward Voltage (V)	Forward Current (mA)	Color	CCT (K)	Luminous Flux (Min.)	CRI (min.)
45-21S/KK3C-7E2727B8L32835Z3/2T	3.0x2.0x0.8	2.8-3.5	30.0	○ Cool White	2700	9	80.0
45-21S/KK3C-7E3030B9L32835Z3/2T	3.0x2.0x0.8	2.8-3.5	30.0	○ Cool White	3000	9.5	80.0
45-21S/KK3C-7E3535B9L32835Z3/2T	3.0x2.0x0.8	2.8-3.5	30.0	○ Cool White	3500	9.5	80.0
45-21S/KK3C-7E4040L1L42835Z3/2T	3.0x2.0x0.8	2.8-3.5	30.0	○ Neutral White	4000	10	80.0
45-21S/KK3C-7E5050L1L42835Z3/2T	3.0x2.0x0.8	2.8-3.5	30.0	● Warm White	5000	10	80.0
45-21S/KK3C-7E6060L1L42835Z3/2T	3.0x2.0x0.8	2.8-3.5	30.0	● Warm White	6000	10	80.0
45-21S/KK3C-7E6565L1L42835Z3/2T	3.0x2.0x0.8	2.8-3.5	30.0	● Warm White	6500	10	80.0
45-21S/KK3C-H6565L1L4B42Z3/2T	3.0x2.0x0.8	2.9 - 3.6	30.0	● Warm White	6500	8	80.0

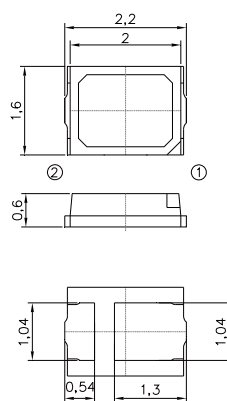
3020 / 0.1W / 3V / 60mA

Product	Size (LxWxHmm)	Forward Voltage (V)	Forward Current (mA)	Color	CCT (K)	Luminous Flux (Min.)	Luminous Flux (TYP)	CRI (min.)
45-21S/KK2D-H2727M3N4B2Z6/2T	3.0x2.0x0.8	2.9 - 3.6	60.0	● Warm White	2700	17	19	80
45-21S/KK2D-H3030M31N4B2Z6/2T	3.0x2.0x0.8	2.9 - 3.6	60.0	● Warm White	3000	18	20	80
45-21S/KK2D-H4040M4N4B2Z6/2T	3.0x2.0x0.8	2.9 - 3.6	60.0	○ Neutral White	4000	19	21	80
45-21S/KK2D-H5050M4N4B2Z6/2T	3.0x2.0x0.8	2.9 - 3.6	60.0	○ Cool White	5000	19	21	80
45-21S/KK2D-H5757M4N4B2Z6/2T	3.0x2.0x0.8	2.9 - 3.6	60.0	○ Cool White	5700	19	21	80
45-21S/KK2D-H6565M4N4B2Z6/2T	3.0x2.0x0.8	2.9 - 3.6	60.0	○ Cool White	6500	19	21	80

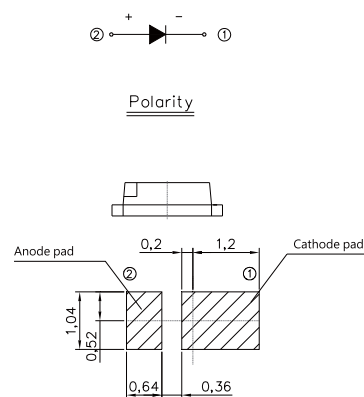
Low Middle Power LED | 37-21S (2016)



UNIT : mm



Bot. view



Soldering patterns

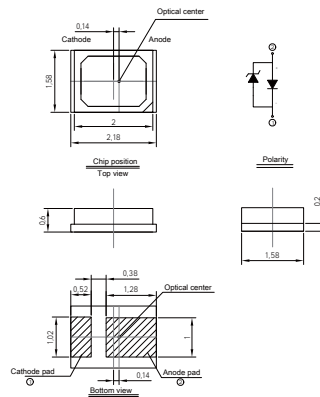
2016 / 0.2W / 3V / 60mA

Product	Size (LxWxHmm)	Forward Voltage (V)	Forward Current (mA)	Color	CCT (K)	Luminous Flux (Min.)	Luminous Flux (TYP)	CRI (min.)	Luminous Efficacy (lm/W)
37-21S/KK3C-H2727M31N32936Z6/2T	2.0x1.6x0.6	2.9 - 3.6	60	● Warm White	2700	19.0	21	80	105
37-21S/KK3C-H3030M4N42936Z6/2T	2.0x1.6x0.6	2.9 - 3.6	60	● Warm White	3000	20.0	22.5	80	113
37-21S/KK3C-H4040M41N42936Z6/2T	2.0x1.6x0.6	2.9 - 3.6	60	○ Neutral White	4000	21.0	23.5	80	118
37-21S/KK3C-H5050M42N42936Z6/2T	2.0x1.6x0.6	2.9 - 3.6	60	○ Cool White	5000	22.0	24.5	80	123
37-21S/KK3C-H5757M42N42936Z6/2T	2.0x1.6x0.6	2.9 - 3.6	60	○ Cool White	5700	22.0	24.5	80	123
37-21S/KK3C-H6565M42N42936Z6/2T	2.0x1.6x0.6	2.9 - 3.6	60	○ Cool White	6500	21.0	23.5	80	118

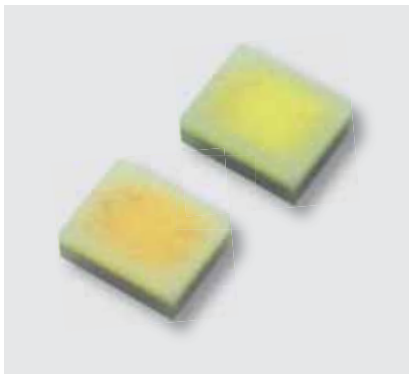
Flash LED | High Power Flash LED | 2016 Package Dual Type



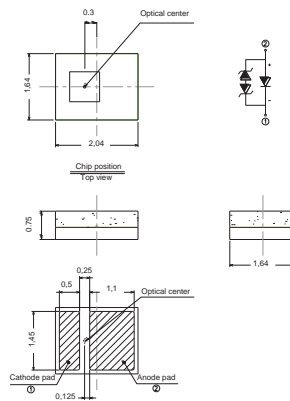
UNIT : mm



Product	Size (LxWxHmm)	Color	CCT (K)	Typ. Luminous Flux (lm)	Forward Voltage (V)	I _F (mA)
ELEM-2025F3F82838Z15-T4BN	2.18x1.58x0.6	● Warm White	2000~2500	45	2.85~3.85	150
ELEM-5060F4F92838Z15-T4BN	2.18x1.58x0.6	○ White	5000~6000	55	2.85~3.85	150



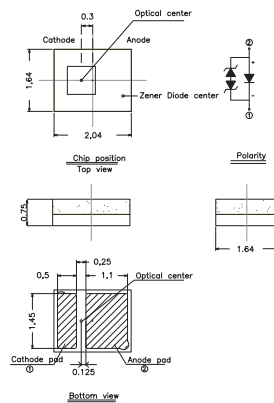
UNIT : mm



Product	Size (LxWxHmm)	Color	CCT (K)	Typ. Luminous Flux (lm)	Forward Voltage (V)	I _F (mA)
ELCH05-NB1924J3J6294310-N1S	2.04x1.64x0.75	● Warm White	1950~2450	140	2.95~4.35	1000
ELCH05-NB5060J4J6294310-N1S	2.04x1.64x0.75	○ White	5000~6000	160	2.95~4.35	1000



UNIT : mm

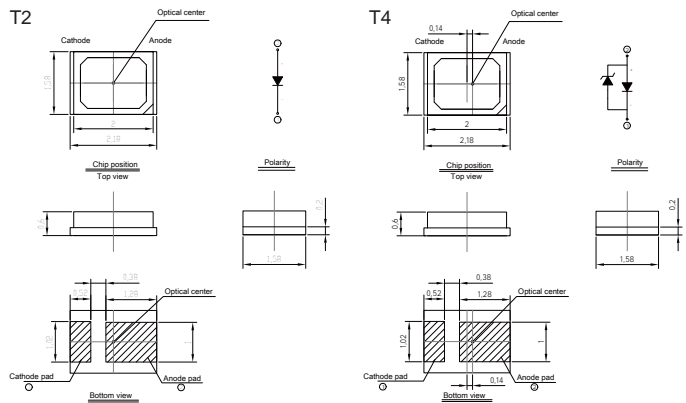


Product	Size (LxWxHmm)	Color	CCT (K)	Typ. Luminous Flux (lm)	Forward Voltage (V)	I _F (mA)
ELCH07-NB1924J5J7283910-P1M	2.04x1.64x0.75	● Warm White	1950~2450	230	2.85~3.95	1000
ELCH07-NB5565J6J8283910-P1S	2.04x1.64x0.75	○ White	5500~6500	250	2.85~3.95	1000
ELCH08-NB1924J6J8283910-F1M	2.04x1.64x0.75	● Warm White	1950~2450	250	2.85~3.95	1000
ELCH08-NB5565J7J9283910-F1S	2.04x1.64x0.75	○ White	5500~6500	300	2.85~3.95	1000

Flash LED | High Power Flash LED | 2016 Package



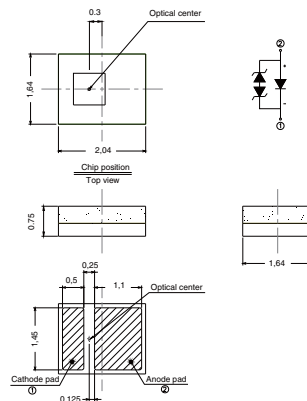
UNIT : mm



Product	Size (LxWxHmm)	Color	CCT (K)	Typ. Luminous Flux (lm)	Forward Voltage (V)	I _F (mA)
ELEM-5070E6F22838Z6-T2W	2.18x1.58x0.6	○ White	5000~7000	19	2.8~3.85	60
ELEM-5070F3F82838Z15-T4W	2.18x1.58x0.6	○ White	5000~7000	45	2.85~3.85	150



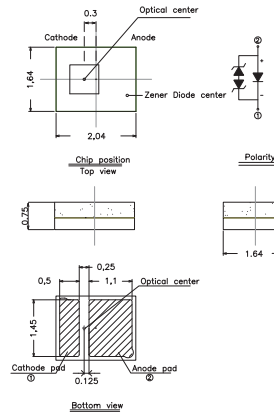
UNIT : mm



Product	Size (LxWxHmm)	Color	CCT (K)	Typ. Luminous Flux (lm)	Forward Voltage (V)	I _F (mA)
ELCH04-NF5070F9J3294105-N1S	2.04x1.64x0.75	○ White	5000~7000	110	2.95~4.15	500
ELCH05-NB5065J4J6294310-N1S	2.04x1.64x0.75	○ White	5000~6500	160	2.95~4.35	1000



UNIT : mm

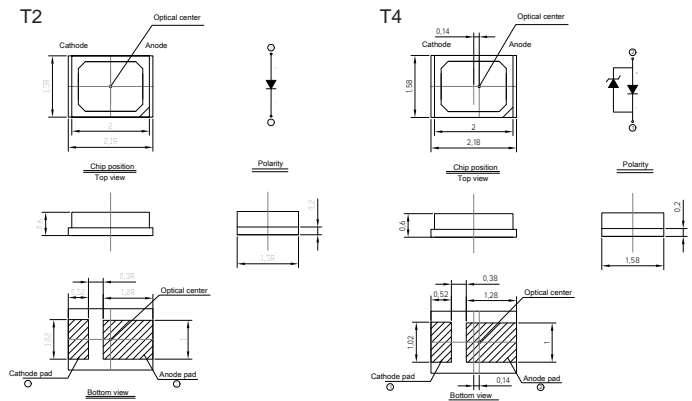


Product	Size (LxWxHmm)	Color	CCT (K)	Typ. Luminous Flux (lm)	Forward Voltage (V)	I _F (mA)
ELCH07-NB5060J6J8283910-P1S	2.04x1.64x0.75	○ White	5000~6000	250	2.85~3.95	1000
ELCH08-NB5060J7J9283910-F1S	2.04x1.64x0.75	○ White	5000~6000	300	2.85~3.95	1000

Flash LED | High Power Flash LED | 2016 Package HCRI Type



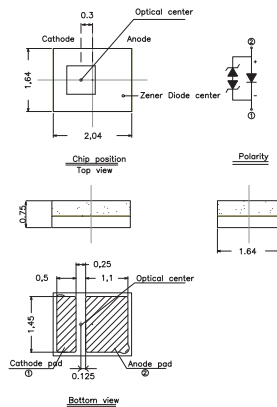
UNIT : mm



Product	Size (LxWxH)mm	Color	CCT (K)	Typ. Luminous Flux (lm)	Forward Voltage (V)	I _F (mA)
ELEM-KB4060E6F22838Z6-T2S	2.18x1.58x0.6	○ White	4000~6000	18	2.8~3.85	60
ELEM-KB4060F2F72838Z15-T4S	2.18x1.58x0.6	○ White	4000~6000	45	2.85~3.85	150



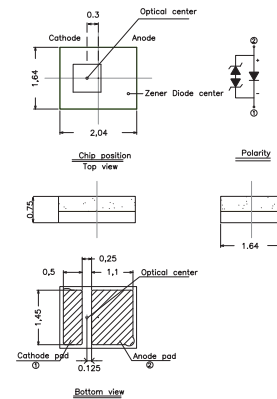
UNIT : mm



Product	Size (LxWxH)mm	Color	CCT (K)	Typ. Luminous Flux (lm)	Forward Voltage (V)	I _F (mA)
ELCH03-KB4050F6F8284103-N1S	2.04x1.64x0.75	○ White	4000~5000	75	2.8~4.15	350

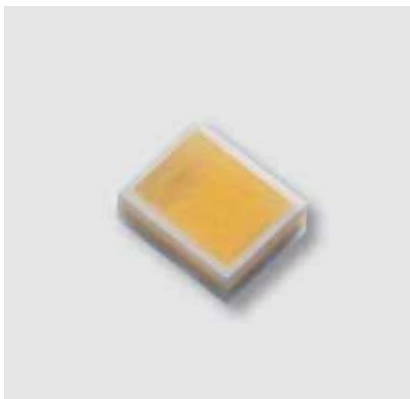


UNIT : mm

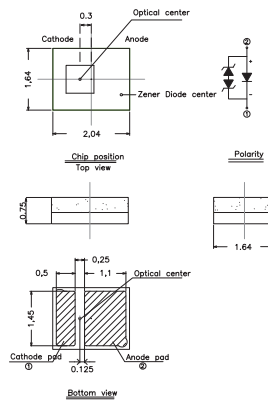


Product	Size (LxWxH)mm	Color	CCT (K)	Typ. Luminous Flux (lm)	Forward Voltage (V)	CRI	I _F (mA)
ELCH08-KB4050J6J8283910-F1S	2.04x1.64x0.75	○ White	4000~5000	250	2.85~3.95	>80	1000

Flash LED | High Power Flash LED | 2016 Package HCRI Type



UNIT : mm

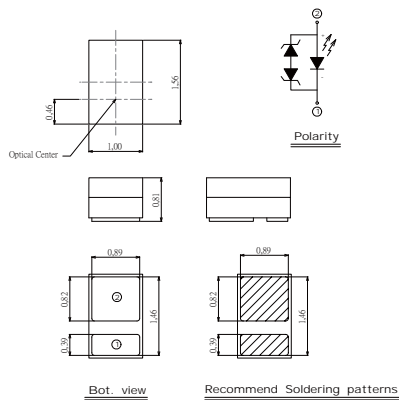


Product	Size (LxWxHmm)	Color	CCT (K)	Typ. Luminous Flux (lm)	Forward Voltage (V)	CRI	I _F (mA)
ELCH08-HB3545J5J7283910-FIS	2.04x1.64x0.75	○ White	3500~4500	210	2.85~3.95	>90	1000

Flash LED | High Power Flash LED | 1610 Package Dual Type



UNIT : mm

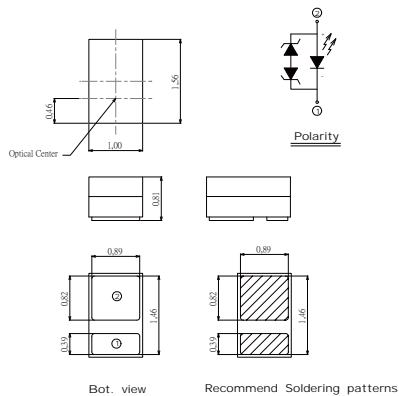


Product	Size (LxWxHmm)	Color	CCT (K)	Typ. Luminous Flux (lm)	Forward Voltage (V)	I _F (mA)
ELAT07-NB1924J4J6293910-F1M	1.0x1.56x0.81	● Warm White	1950K~2450K	190	2.95~3.95	1000
ELAT07-NB5060J6J7293910-F1S	1.0x1.56x0.81	○ Cool White	5000K~6000K	230	2.95~3.95	1000

Flash LED | High Power Flash LED | 1610 Package HCRI Type



UNIT : mm



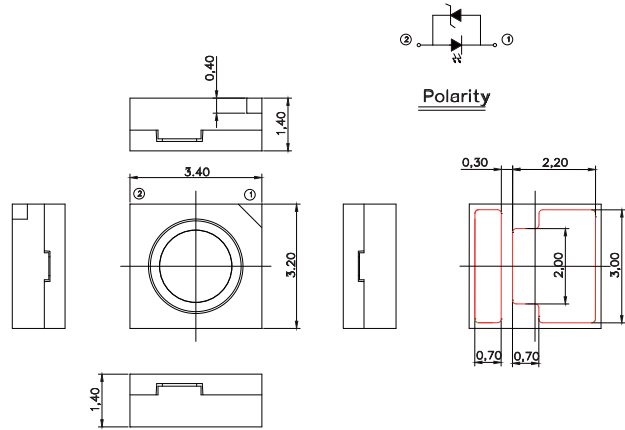
Product	Size (LxWxHmm)	Color	CCT (K)	Typ. Luminous Flux (lm)	Forward Voltage (V)	CRI	I _F (mA)
ELAT07-KB4050J5J7293910-F1S	1.0x1.56x0.81	○ White	4000~5000	190	2.95~3.95	>80	1000

Flash LED

Flash LED | High Power Flash LED | Reflector Module

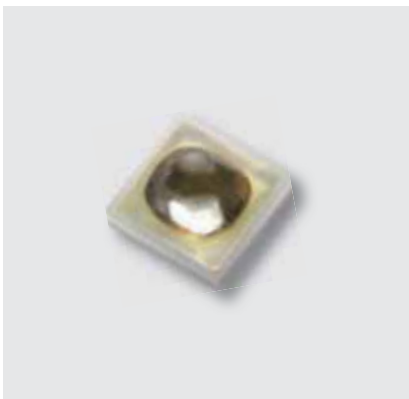


UNIT : mm

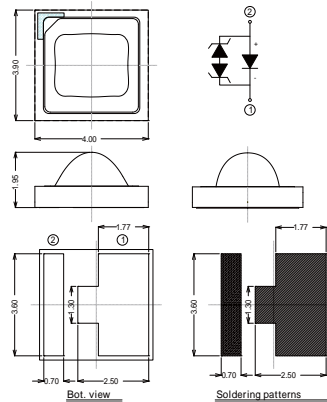


Product	Size (LxWxHmm)	Color	CCT (K)	Typ. Luminous Flux (lm)	Forward Voltage (V)	I _F (mA)
ELRF-NB5080XXX293910-T1D	3.4x3.2x1.4	○ Cool White	5000-5800	300	2.85-3.95	1000

Flash LED | High Power Flash LED | Module Type



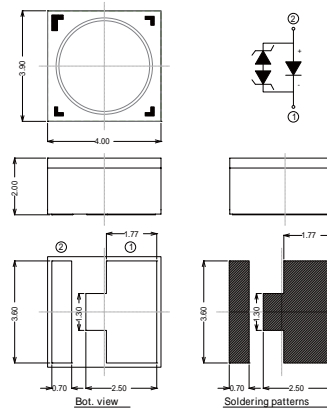
UNIT : mm



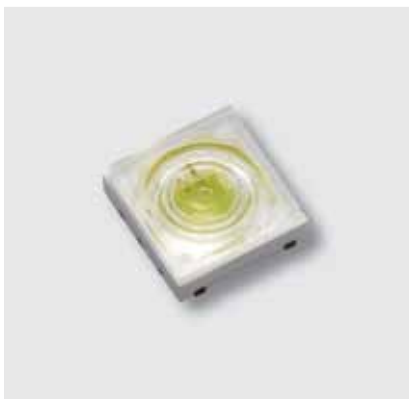
Product	Size (LxWxHmm)	Color	CCT (K)	Typ. Illuminance (lx)	Forward Voltage (V)	I _F (mA)
ELYU03-5070J5J7294310-N0	4.0x3.9x1.95	○White	5000~7000	265	2.95~4.35	1000
ELYU03-5060J5J7294310-N0	4.0x3.9x1.95	○White	5000~7000	265	2.95~4.35	1000



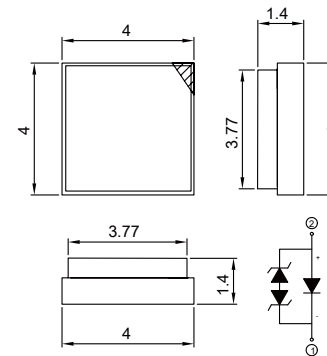
UNIT : mm



Product	Size (LxWxHmm)	Color	CCT (K)	Typ. Luminous Flux (lx)	Forward Voltage (V)	I _F (mA)
ELCU02-5070J6J7294310-N0	4.0x3.9x2	○White	5000~7000	170	2.95~4.35	1000
ELCU02-5070J6J7294310-N0	4.0x3.9x2	○White	5000~7000	170	2.95~4.35	1000



UNIT : mm



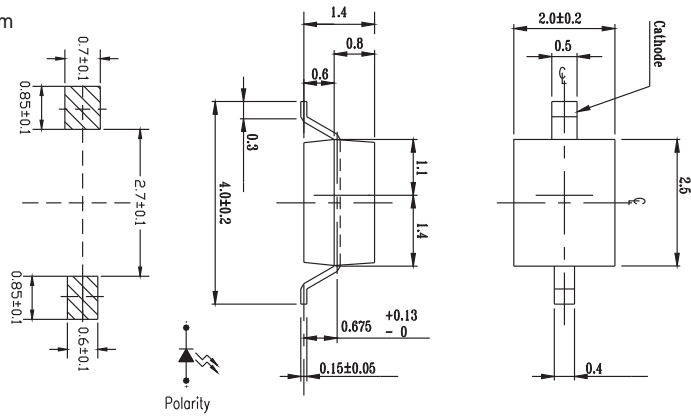
Product	Size (LxWxHmm)	Color	CCT (K)	Typ. Luminous Flux (lx)	Forward Voltage (V)	I _F (mA)
ELCU03-NF5060J3J5294110-E1S	4.0x4.0x1.4	○White	5000~6000	170	2.95~3.95	1000
ELCU03-NF5060J6J8294110-E1S	4.0x4.0x1.4	○White	5000~6000	260	2.95~3.95	1000

Flash LED

SMD LED | Subminiature LED Lamps (Leadframe)



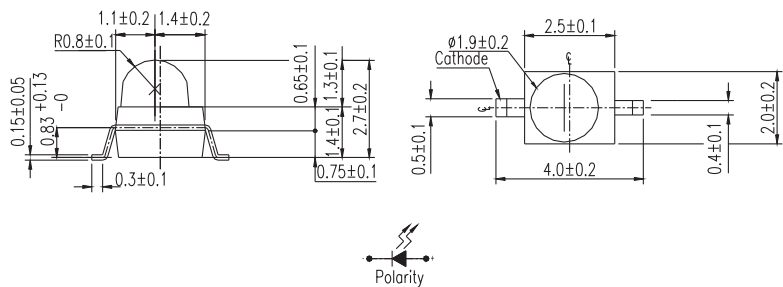
UNIT : mm



Product	Size (LxWxHmm)	Color	λ_d (nm)/ CIE(x,y)	I_v Min./Typ. (mcd)	I_v Max. (mcd)	V_F Min. (V)	V_F Typ. (V)	V_F Max. (V)	I_F (mA)
28-21SDRC/S530-A3/TR8	2.5x2.0x1.4	● Deep Red	639	20 / 27	N	1.7	2	2.4	20
28-21SURC/S530-A2/TR8	2.5x2.0x1.4	● Hyper Red	624	11 / 26	N	N	2	2.4	20
28-21UYC/S530-A3/TR8	2.5x2.0x1.4	● Super Yellow	589	21 / 33	N	N	2	2.4	20



UNIT : mm

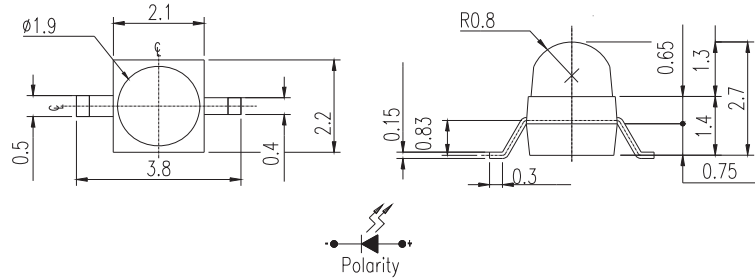


Product	Size (LxWxHmm)	Color	λ_d (nm)/ CIE(x,y)	I_v Min./Typ. (mcd)	I_v Max. (mcd)	V_F Min. (V)	V_F Typ. (V)	V_F Max. (V)	I_F (mA)
91-21SUBC/S400-A4/TR7	2.0x2.5x2.7	● Super Blue	470	400 / 500	N	N	3.5	4.3	20
91-21SUGC/S400-A4/TR7	2.0x2.5x2.7	● Super Green	525	2000 / 2300	N	N	3.5	4.3	20
91-21SURC/S530-A6/TR7	2.0x2.5x2.7	● Hyper Red	624	802 / 1232	N	N	2	2.4	20
91-21SYGC/S530-E4/TR7	2.0x2.5x2.7	● Super Yellow Green	573	528 / 594	N	N	2	2.4	20
91-21UBC/C430/TR7	2.0x2.5x2.7	● Blue	466	160 / 203	N	N	3.8	4.5	20
91-21USRC/S530-A4/TR7	2.0x2.5x2.7	● Dark Red	631	344 / 578	N	N	2	2.4	20

SMD LED | Subminiature LED Lamps (Leadframe)



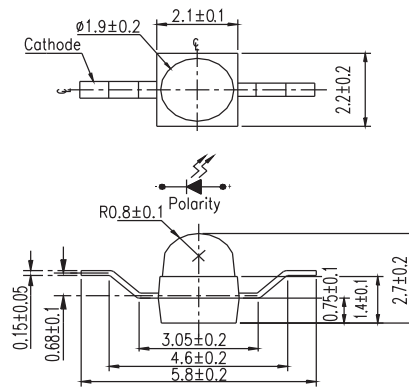
UNIT : mm



Product	Size (LxWxHmm)	Color	λ_d (nm)/ CIE(x,y)	I_v Min./Typ. (mcd)	I_v Max. (mcd)	V_F Min. (V)	V_F Typ. (V)	V_F Max. (V)	I_F (mA)
95-21SUGC/S400-A4/TR7	2.1x2.2x2.7	● Super Green	525	2000 / 2300	N	N	3.5	4.3	20
95-21SYGC/S530-E2/TR7	2.1x2.2x2.7	● Brilliant Yellow Green	573	264 / 330	N	1.7	2	2.4	20
95-21USRD/S357/TR7	2.1x2.2x2.7	● Dark Red	631	45 / 100	N	N	2	2.4	20
95-21UYC/S530-A5/TR7	2.1x2.2x2.7	● Super Yellow	589	793 / 1156	N	N	2	2.4	20



UNIT : mm



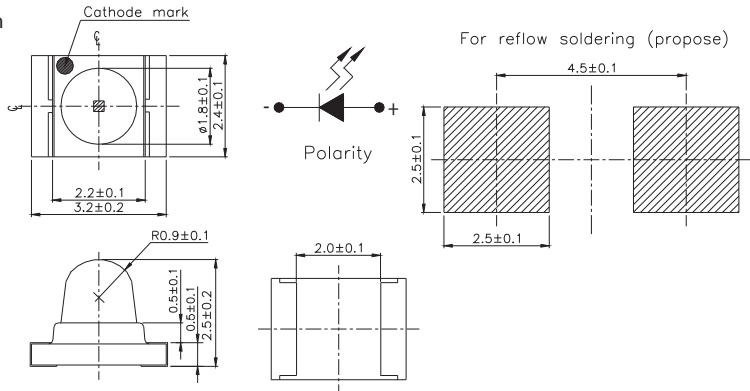
95-21F10/TR10

Product	Size (LxWxHmm)	Color	λ_d (nm)/ CIE(x,y)	I_v Min./Typ. (mcd)	I_v Max. (mcd)	V_F Min. (V)	V_F Typ. (V)	V_F Max. (V)	I_F (mA)
95-21SDRC/S530-A3/TR10	2.1x2.2x2.7	● Brilliant Red	639	330 / 495	N	1.7	2	2.4	20
95-21SUBC/S400-A5/TR10	2.1x2.2x2.7	● Super Blue	470	500 / 800	N	N	3.5	4.3	20

SMD LED | Surface Mount Chip LED (PCB) | Top View LED



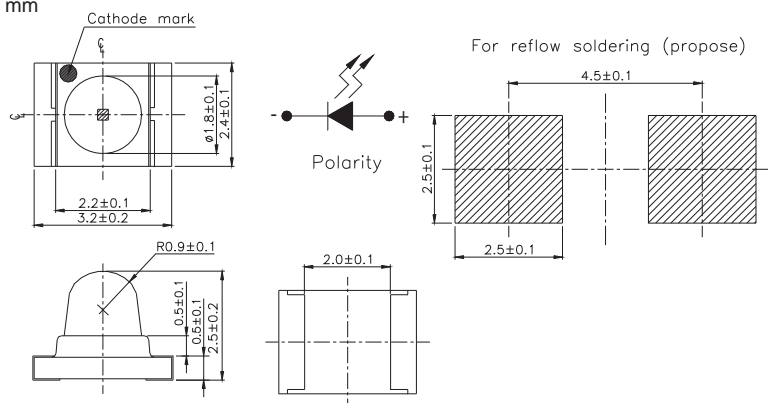
UNIT : mm



Product	Size (LxWxHmm)	Color	λ_d (nm)/ CIE(x,y)	I_V Min./Typ. (mcd)	I_V Max. (mcd)	V_F Min./Typ. (V)	V_F Max. (V)	I_F (mA)
42-21/BHC-AUW/1T	3.2x2.4x2.5	● Blue	470	450	1800	2.7 / 3.3	3.7	20



UNIT : mm

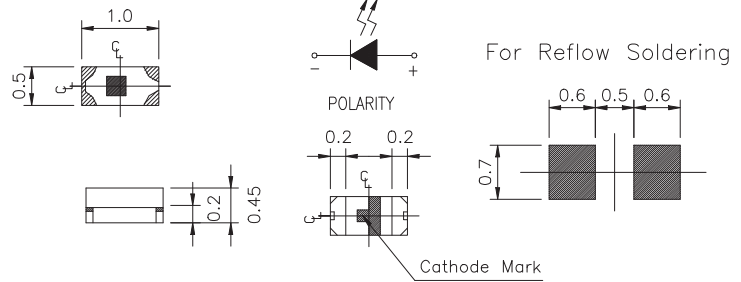


Product	Size (LxWxHmm)	Color	λ_d (nm)/ CIE(x,y)	I_V Min./Typ. (mcd)	I_V Max. (mcd)	V_F Min./Typ. (V)	V_F Max. (V)	I_F (mA)
42-21A/BHC-ZV1W2N/1T	3.2x2.4x2.5	● Blue	470	715	1800	2.65	3.75	20
42-21A/GHC-YX1Y2N/1T	3.2x2.4x2.5	● Brilliant Green	525	1800	4500	2.7	3.7	20

SMD LED | Surface Mount Chip LED (PCB) | Top View 0402 (0.2T~0.5T)



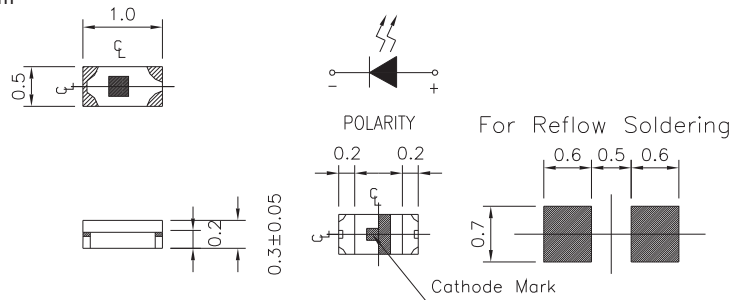
UNIT : mm



Product	Size (LxWxHmm)	Color	λ_d (nm)/CIE(x,y)	I_v Min./Typ. (mcd)	I_v Max. (mcd)	V_F Min./Typ. (V)	V_F Max. (V)	I_F (mA)
16-213/BHC-AN1P2/3T	1.0x0.5x0.45	● Blue	470	28.5	72	2.7 / 3.3	3.7	20
16-213/BHC-ZL1M2QY/3T	1.0x0.5x0.45	● Blue	470	11.5	28.5	2.7	3.2	5
16-213/GHC-YR1S1/3T	1.0x0.5x0.45	● Brilliant Green	525	112	225	2.7 / 3.3	3.7	20
16-213/R6C-A2225VZ/3T	1.0x0.5x0.45	● Brilliant Red	624	20	40.5	1.7	2.2	10
16-213/T3D-AP1Q2QY/3T	1.0x0.5x0.45	○ Pure White	x=0.29, y=0.30	45	112	2.7	3.2	5
16-213/T7D-AQ1R1QY/3T	1.0x0.5x0.45	○ Pure White	x=0.29, y=0.30	72	140	2.7	3.2	5



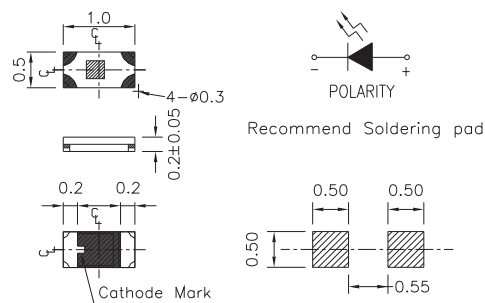
UNIT : mm



Product	Size (LxWxHmm)	Color	λ_d (nm)/CIE(x,y)	I_v Min./Typ. (mcd)	I_v Max. (mcd)	V_F Min./Typ. (V)	V_F Max. (V)	I_F (mA)
16-216/T3D-AQ1R2TY/3T	1.0x0.5x0.3	○ Pure White	x=0.29, y=0.30	72	180	2.6	3	5



UNIT : mm

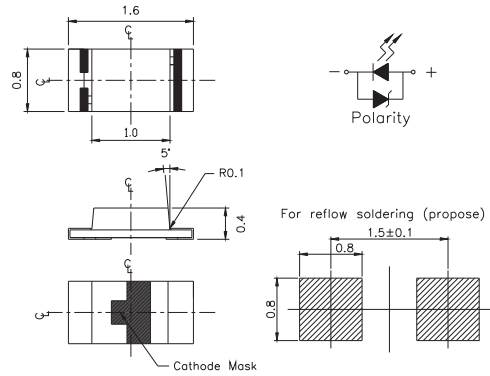


Product	Size (LxWxHmm)	Color	λ_d (nm)/CIE(x,y)	I_v Min./Typ. (mcd)	I_v Max. (mcd)	V_F Min./Typ. (V)	V_F Max. (V)	I_F (mA)
16-219A/T2D-AR2T1QY/3T	1.0x0.5x0.2	○ Pure White	x=0.29, y=0.30	140	360	2.7	3.2	5

SMD LED | Surface Mount Chip LED (PCB) | Top View 0603 (0.2T~0.8T)



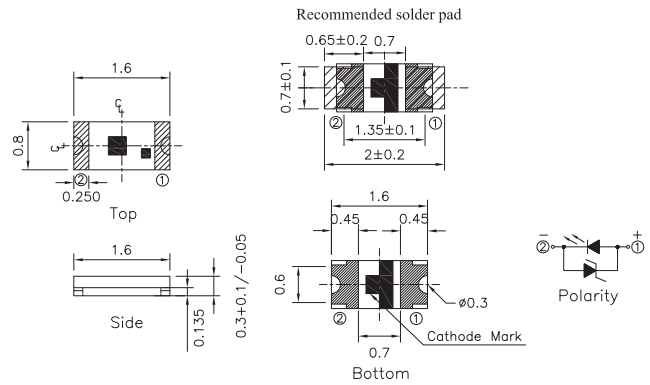
UNIT : mm



Product	Size (LxWxHmm)	Color	λ_d (nm)/CIE(x,y)	I_v Min./Typ. (mcd)	I_v Max. (mcd)	V_F Min./Typ. (V)	V_F Max. (V)	I_F (mA)
19-117/BHC-YJ2K2TX/3T	1.6x0.8x0.4	● Blue	470	5.8	11.5	2.6	3	2
19-117/BHC-ZL1M2RY/3T	1.6x0.8x0.4	● Blue	470	11.5	28.5	2.5	3.1	5
19-117/T1D-AP2Q2QY/3T	1.6x0.8x0.4	○ Pure White	x=0.274, y=0.226	57	112	2.7	3.2	5



UNIT : mm

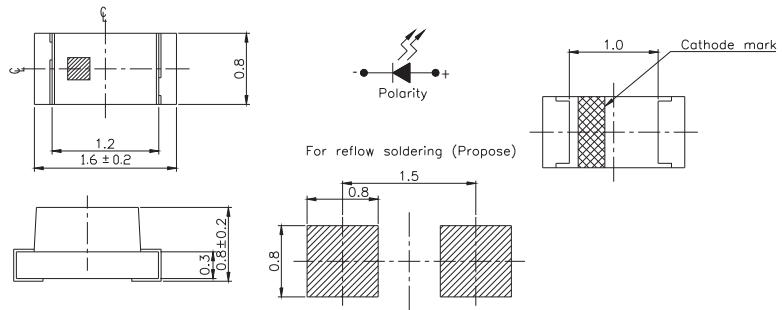


Product	Size (LxWxHmm)	Color	λ_d (nm)/CIE(x,y)	I_v Min./Typ. (mcd)	I_v Max. (mcd)	V_F Min./Typ. (V)	V_F Max. (V)	I_F (mA)
19-118/BHC-ZL1M2QY/3T	1.6x0.8x0.3	● Blue	470	11.5	28.5	2.7	3.2	5

SMD LED | Surface Mount Chip LED (PCB) | Top View 0603 (0.2T~0.8T)



UNIT : mm

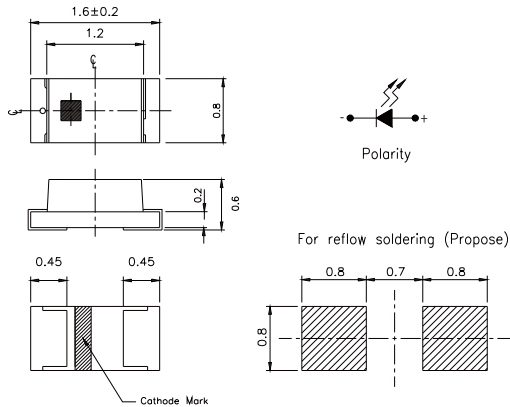


Product	Size (LxWxHmm)	Color	λ_d (nm)/CIE(x,y)	I_V Min./Typ. (mcd)	I_V Max. (mcd)	V_F Min./Typ. (V)	V_F Max. (V)	I_F (mA)
19-21/B6C-AP2Q2M/3T	1.6x0.8x0.8	● Blue	470	57	112	2.75	3.95	20
19-21/BHC-AP1Q2/3T	1.6x0.8x0.8	● Blue	470	45	112	2.7 / 3.3	3.7	20
19-21/BHC-YL1M1RY/3T	1.6x0.8x0.8	● Blue	470	11.5	22.5	2.5	3.1	5
19-21/BHC-ZQ1R2N/3T	1.6x0.8x0.8	● Blue	470	72	180	2.7	3.7	20
19-21/G6C-AL1M2LY/3T	1.6x0.8x0.8	● Brilliant Yellow Green	573	11.5	28.5	1.7	2.3	5
19-21/G6C-FM1N2B/3T	1.6x0.8x0.8	● Brilliant Yellow Green	573	18	45	1.75	2.35	20
19-21/G6C-FP1Q1L/3T	1.6x0.8x0.8	● Brilliant Yellow Green	573	45	90	1.7	2.3	20
19-21/GHC-YN1P2QY/3T	1.6x0.8x0.8	● Brilliant Green	525	28.5	72	2.7	3.2	5
19-21/GPC-FL1M2B/3T	1.6x0.8x0.8	● Green	562	11.5	28.5	1.75	2.35	20
19-21/R6C-AL2N1VY/3T	1.6x0.8x0.8	● Brilliant Red	624	14.5	36	1.7	2.2	5
19-21/R6C-FP1Q2L/3T	1.6x0.8x0.8	● Brilliant Red	624	45	112	1.7	2.3	20
19-21/R7C-AK1L2BY/3T	1.6x0.8x0.8	● Deep Red	631	7.2	18	1.75	2.35	5
19-21/R7C-AN2Q1B/3T	1.6x0.8x0.8	● Deep Red	631	36	90	1.75	2.35	20
19-21/R8C-FN2Q1L/3T	1.6x0.8x0.8	● Deep Red	639	36	90	1.7	2.3	20
19-21/S2C-AL2M2VY/3T	1.6x0.8x0.8	● Brilliant Orange	605	14.5	28.5	1.7	2.2	5
19-21/S2C-AQ1R2B/3T	1.6x0.8x0.8	● Brilliant Orange	605	72	180	1.75	2.35	20
19-21/T1D-ANPHY/3T	1.6x0.8x0.8	○ Pure White	x=0.274, y=0.226	28.5	72	2.7	3.15	5
19-21/T1D-CPQTY/3T	1.6x0.8x0.8	○ Pure White	x=0.274, y=0.226	45	112	2.6	3	5
19-21/W1D-ANPHY/3T	1.6x0.8x0.8	○ Pure White	x=0.274, y=0.226	28.5	72	2.7	3.15	5
19-21/Y2C-AL1M2VY/3T	1.6x0.8x0.8	● Brilliant Yellow	589	11.5	28.5	1.7	2.2	5
19-21/Y2C-CP1Q2B/3T	1.6x0.8x0.8	● Brilliant Yellow	589	45	112	1.75	2.35	20

SMD LED | Surface Mount Chip LED (PCB) | Top View 0603 (0.2T~0.8T)



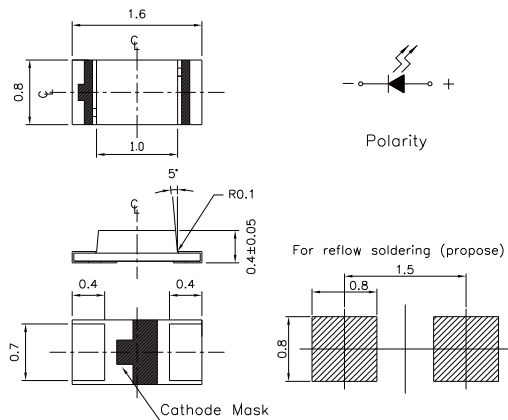
UNIT : mm



Product	Size (LxWxHmm)	Color	λ_d (nm)/CIE(x,y)	I_v Min./Typ. (mcd)	I_v Max. (mcd)	V_F Min./Typ. (V)	V_F Max. (V)	I_F (mA)
19-213A/T1D-CP2Q2HY/3T	1.6x0.8x0.6	○ Pure White	x=0.274, y=0.226	57	112	2.7	3.15	5



UNIT : mm

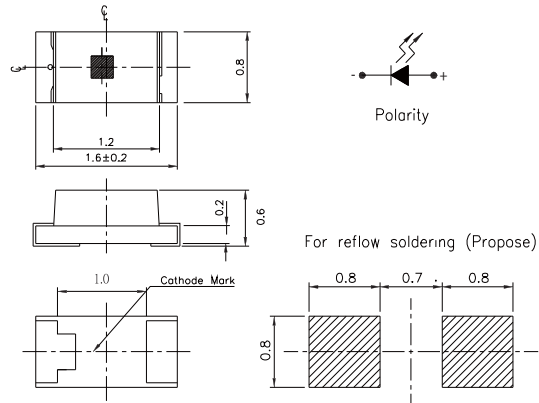


Product	Size (LxWxHmm)	Color	λ_d (nm)/CIE(x,y)	I_v Min./Typ. (mcd)	I_v Max. (mcd)	V_F Min./Typ. (V)	V_F Max. (V)	I_F (mA)
19-217/B9C-ANQE/3T	1.6x0.8x0.4	● Blue	470	28.5	112	2.75	3.65	20
19-217/BHC-AN1P2/3T	1.6x0.8x0.4	● Blue	470	28.5	72	2.7 / 3.3	3.7	20
19-217/BHC-XK1L2B11X/3T	1.6x0.8x0.4	● Blue	470	7.2	18	2.6	2.9	2
19-217/BHC-YL2M2TY/3T	1.6x0.8x0.4	● Blue	470	14.5	28.5	2.6	3	5
19-217/G7C-AL1M2B/3T	1.6x0.8x0.4	● Brilliant Yellow Green	573	11.5	28.5	1.75	2.35	20
19-217/GHC-YR1S2/3T	1.6x0.8x0.4	● Brilliant Green	525	112	285	2.7 / 3.3	3.7	20
19-217/R6C-P1Q2/3T	1.6x0.8x0.4	● Brilliant Red	624	45	112	1.7 / 2	2.4	20
19-217/S2C-AL1M2VY/3T	1.6x0.8x0.4	● Brilliant Orange	605	11.5	28.5	1.7	2.2	5
19-217/S3C-AL2N1VY/3T	1.6x0.8x0.4	● Reddish Orange	615	14.5	36	1.7	2.2	5
19-217/T1D-ANPHY/3T	1.6x0.8x0.4	○ Pure White	x=0.274, y=0.226	28.5	72	2.7	3.15	5
19-217/T1D-JP1Q2QY/3T	1.6x0.8x0.4	○ Pure White	x=0.274, y=0.226	45	112	2.7	3.2	5
19-217/W1D-CPQTY/3T	1.6x0.8x0.4	○ Pure White	x=0.274, y=0.226	45	112	2.6	3	5
19-217/Y5C-AM1N1VY/3T	1.6x0.8x0.4	● Brilliant Yellow	589	16	40	1.65	2.25	5
19-217/Y5C-APQB/3T	1.6x0.8x0.4	● Brilliant Yellow	589	45	112	1.75	2.35	20
19-217/Y5C-AQ2R2/3T	1.6x0.8x0.4	● Brilliant Yellow	589	90	180	1.7 / 2	2.4	20

SMD LED | Surface Mount Chip LED (PCB) | Top View 0603 (0.2T~0.8T)



UNIT : mm

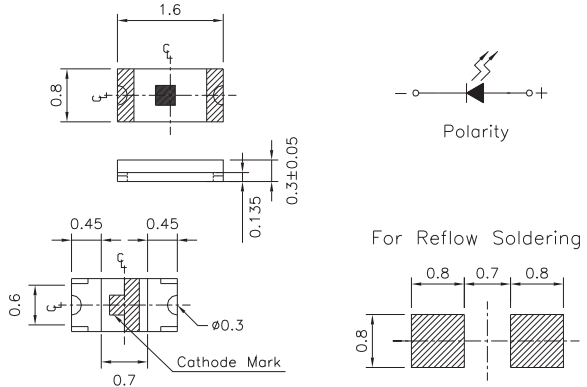


Product	Size (LxWxHmm)	Color	λ_d (nm)/CIE(x,y)	I_v Min./Typ. (mcd)	I_v Max. (mcd)	V_F Min./Typ. (V)	V_F Max. (V)	I_F (mA)
19-213 /Y2C-CQ1R2/3T	1.6x0.8x0.6	● Brilliant Yellow	589	72	180	1.7 / 2	2.4	20
19-213/B7C-AQ2S1B2/3T	1.6x0.8x0.6	● Blue	470	90	225	2.9	3.6	20
19-213/BHC-AN1P2/3T	1.6x0.8x0.6	● Blue	470	28.5	72	2.7 / 3.3	3.7	20
19-213/G6C-AP1Q2/3T	1.6x0.8x0.6	● Brilliant Yellow Green	573	45	112	2	2.4	20
19-213/G6C-BM1N2B/3T	1.6x0.8x0.6	● Brilliant Yellow Green	573	18	45	1.75	2.35	20
19-213/G6C-FN2Q1L/3T	1.6x0.8x0.6	● Brilliant Yellow Green	573	36	90	1.7	2.3	20
19-213/G6W-FN1P1B/3T	1.6x0.8x0.6	● Brilliant Yellow Green	573	28.5	57	1.75	2.35	20
19-213/GHC-XS1T1N/3T	1.6x0.8x0.6	● Brilliant Green	525	180	360	2.7	3.7	20
19-213/GHC-YP1Q2QY/3T	1.6x0.8x0.6	● Brilliant Green	525	45	112	2.7	3.2	5
19-213/GHC-YR1S2/3T	1.6x0.8x0.6	● Brilliant Green	525	112	285	3.5	4	20
19-213/R6C-AM2P1VY/3T	1.6x0.8x0.6	● Brilliant Red	624	22.5	57	1.7	2.2	5
19-213/R6C-AN1P2/3T	1.6x0.8x0.6	● Brilliant Red	624	28.5	72	1.7 / 2	2.4	20
19-213/R6C-AN2Q1B/3T	1.6x0.8x0.6	● Brilliant Red	624	36	90	1.75	2.35	20
19-213/R6C-AP1Q2B/3T	1.6x0.8x0.6	● Brilliant Red	624	45	112	1.75	2.35	20
19-213/R6C-AQ1R2B/3T	1.6x0.8x0.6	● Brilliant Red	624	72	180	1.75	2.35	20
19-213/R8C-FN1P2/3T	1.6x0.8x0.6	● Deep Red	639	28.5	72	1.7 / 2	2.4	20
19-213/S2C-AN1P2B/3T	1.6x0.8x0.6	● Brilliant Orange	605	28.5	72	1.75	2.35	20
19-213/S3C-AN2P2B/3T	1.6x0.8x0.6	● Reddish Orange	615	36	72	1.75	2.35	20
19-213/T1D-ANPHY/3T	1.6x0.8x0.6	○ Pure White	x=0.274, y=0.226	28.5	72	2.7	3.15	5
19-213/Y2C-AP1Q2B/3T	1.6x0.8x0.6	● Brilliant Yellow	589	45	112	1.75	2.35	20
19-213/Y2C-CN1P2/3T	1.6x0.8x0.6	● Brilliant Yellow	589	28.5	72	1.7 / 2	2.4	20
19-213/Y2C-CP1Q2L/3T	1.6x0.8x0.6	● Brilliant Yellow	589	45	112	1.7	2.3	20
19-213/Y2C-CQ2R2L/3T	1.6x0.8x0.6	● Brilliant Yellow	589	90	180	1.7	2.3	20

SMD LED | Surface Mount Chip LED (PCB) | Top View 0603 (0.2T~0.8T)



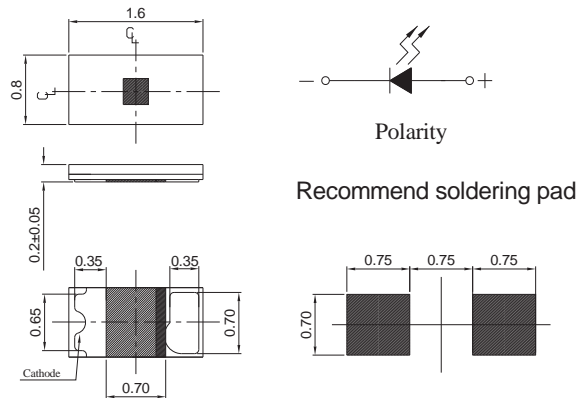
UNIT : mm



Product	Size (LxWxHmm)	Color	λ_d (nm)/CIE(x,y)	I_v Min./Typ. (mcd)	I_v Max. (mcd)	V_F Min./Typ. (V)	V_F Max. (V)	I_F (mA)
19-218/BHC-ZL1M2QY/3T	1.6x0.8x0.3	● Blue	470	11.5	28.5	2.7	3.2	5
19-218/GHC-YR1S2M/3T	1.6x0.8x0.3	● Brilliant Green	525	112	285	2.75	3.95	20
19-218/R6C-AL1M2VY/3T	1.6x0.8x0.3	● Brilliant Red	624	11.5	28.5	1.7	2.2	5
19-218/R6C-FM2P1B7Y/3T	1.6x0.8x0.3	● Brilliant Red	624	22.5	57	1.7	2	5
19-218/T1D-CQ2R2TY/3T	1.6x0.8x0.3	○ Pure White	x=0.274, y=0.226	90	180	2.6	3	5

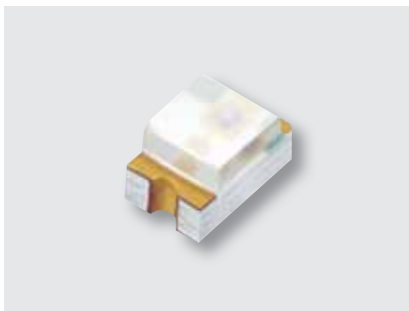


UNIT : mm

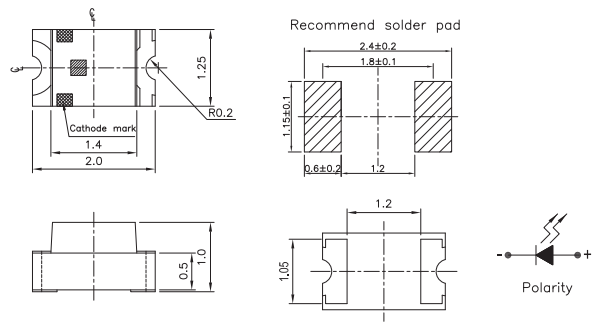


Product	Size (LxWxHmm)	Color	λ_d (nm)/CIE(x,y)	I_v Min./Typ. (mcd)	I_v Max. (mcd)	V_F Min./Typ. (V)	V_F Max. (V)	I_F (mA)
19-219/T3D-AQ2R2TY/3T	1.6x0.8x0.2	○ Pure White	x=0.274, y=0.226	90	180	2.6	3	5
19-219/T7D-AV1W1E/3T	1.6x0.8x0.2	○ Pure White	x=0.274, y=0.226	715	1420	2.75	3.65	20
19-219/Y5C-AM1N2VY/3T	1.6x0.8x0.2	● Brilliant Yellow	589	18	45	1.7	2.2	5

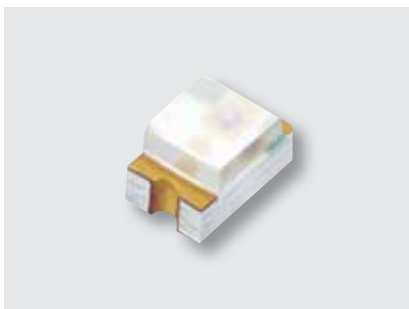
SMD LED | Surface Mount Chip LED (PCB) | Top View 0805



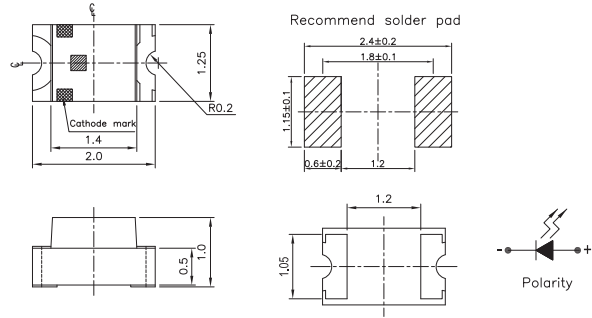
UNIT : mm



Product	Size (LxWxHmm)	Color	λ_d (nm)/CIE(x,y)	I_v Min./Typ. (mcd)	I_v Max. (mcd)	V_F Min./Typ. (V)	V_F Max. (V)	I_F (mA)
17-11/BHC-AN1P2/3T	2.0x1.25x1	● Blue	470	28.5	72	2.7 / 3.3	3.7	20



UNIT : mm

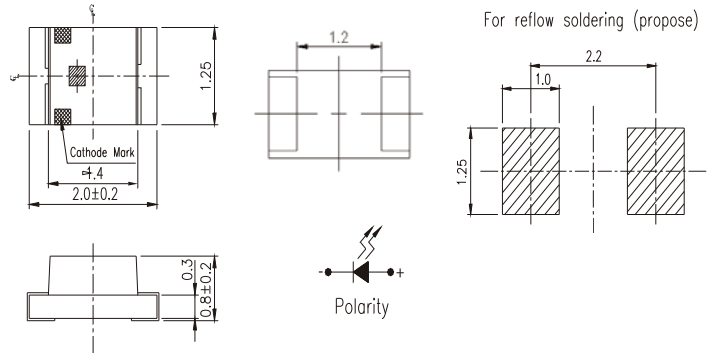


Product	Size (LxWxHmm)	Color	λ_d (nm)/CIE(x,y)	I_v Min./Typ. (mcd)	I_v Max. (mcd)	V_F Min./Typ. (V)	V_F Max. (V)	I_F (mA)
17-21/BHC-AN1P2/3T	2.0x1.25x1	● Blue	470	28.5	72	3.5	4	20
17-21/BHC-AP1Q2/3T	2.0x1.25x1	● Blue	470	45	112	2.7 / 3.3	3.7	20
17-21/BHC-XLMJY/3T	2.0x1.25x1	● Blue	470	11.5	28.5	2.7	3.1	5
17-21/G6C-AN1P1B/3T	2.0x1.25x1	● Brilliant Yellow Green	573	28.5	57	1.75	2.35	20
17-21/G6C-AP1Q1B/3T	2.0x1.25x1	● Brilliant Yellow Green	573	45	90	1.75	2.35	20
17-21/G6C-FM1N2B/3T	2.0x1.25x1	● Brilliant Yellow Green	573	18	45	1.75	2.35	20
17-21/G6C-FN1P2B/3T	2.0x1.25x1	● Brilliant Yellow Green	573	28.5	72	1.75	2.35	20
17-21/G6C-FP1Q1B/3T	2.0x1.25x1	● Brilliant Yellow Green	573	45	90	1.75	2.35	20
17-21/GHC-XS1T2M/3T	2.0x1.25x1	● Brilliant Green	525	180	450	2.75	3.95	20
17-21/GHC-YR1S2/3T	2.0x1.25x1	● Brilliant Green	525	112	285	3.5	4	20
17-21/GPC-AK0M1B/3T	2.0x1.25x1	● Green	562	7.2	22.5	1.75	2.35	20
17-21/GVC-AMPB/3T	2.0x1.25x1	● Green	565	18	72	1.75	2.35	20
17-21/R6C-AN2Q1B/3T	2.0x1.25x1	● Brilliant Red	624	36	90	1.75	2.35	20
17-21/R6C-AP1Q2L/3T	2.0x1.25x1	● Brilliant Red	624	45	112	1.7	2.3	20
17-21/R7C-AN2Q1B/3T	2.0x1.25x1	● Deep Red	631	36	90	1.75	2.35	20
17-21/S2C-AN1P2B/3T	2.0x1.25x1	● Brilliant Orange	605	28.5	72	1.75	2.35	20
17-21/S2C-AP1Q2B/3T	2.0x1.25x1	● Brilliant Orange	605	45	112	1.75	2.35	20
17-21/T1D-ANPHY/3T	2.0x1.25x1	○ Pure White	x=0.274, y=0.226	28.5	72	2.7	3.15	5
17-21/T1D-CP2R1TY/3T	2.0x1.25x1	○ Pure White	x=0.274, y=0.226	57	140	2.6	3	5
17-21/T1D-KN2P2HY/3T	2.0x1.25x1	○ Pure White	x=0.274, y=0.226	36	72	2.7	3.15	5
17-21/W1D-APQHY/3T	2.0x1.25x1	○ Pure White	x=0.274, y=0.226	45	112	2.7	3.15	5
17-21/Y2C-AN1P2/3T	2.0x1.25x1	● Brilliant Yellow	589	28.5	72	1.7 / 2	2.4	20
17-21/Y2C-CN1P2B/3T	2.0x1.25x1	● Brilliant Yellow	589	28.5	72	1.75	2.35	20
17-21/Y2C-CP2Q2B/3T	2.0x1.25x1	● Brilliant Yellow	589	57	112	1.75	2.35	20

SMD LED | Surface Mount Chip LED (PCB) | Top View 0805



UNIT : mm

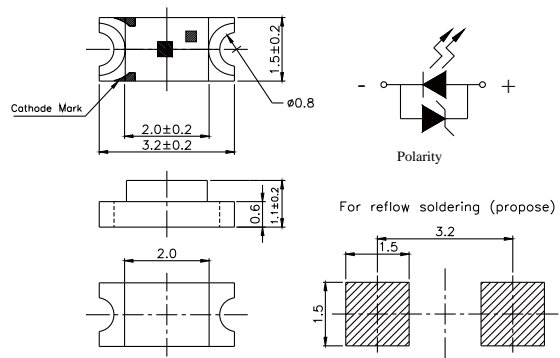


Product	Size (LxWxHmm)	Color	λ_d (nm)/CIE(x,y)	I_v Min./Typ. (mcd)	I_v Max. (mcd)	V_F Min./Typ. (V)	V_F Max. (V)	I_F (mA)
17-215/B6C-YP2R2/3T	2.0x1.25x0.8	● Blue	470	57	180	2.7 / 3.0	3.7	20
17-215/BHC-AN1P2/3T	2.0x1.25x0.8	● Blue	470	28.5	72	2.7 / 3.3	3.7	20
17-215/BHC-BP2Q2M/3T	2.0x1.25x0.8	● Blue	470	57	112	2.75	3.95	20
17-215/G6C-BM1N2L/3T	2.0x1.25x0.8	● Brilliant Yellow Green	573	18	45	1.7	2.3	20
17-215/G6C-FN2P2B/3T	2.0x1.25x0.8	● Brilliant Yellow Green	573	36	72	1.75	2.35	20
17-215/R6C-AQ1R2B/3T	2.0x1.25x0.8	● Brilliant Red	624	72	180	1.75	2.35	20
17-215/S2C-AQ1R2B/3T	2.0x1.25x0.8	● Brilliant Orange	605	72	180	1.75	2.35	20
17-215/S2C-CP2R1B/3T	2.0x1.25x0.8	● Brilliant Orange	605	57	180	1.75	2.35	20

SMD LED | Surface Mount Chip LED (PCB) | Top View 1206



UNIT : mm

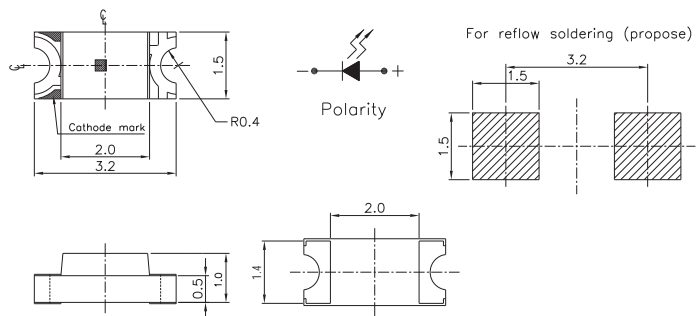


Product	Size (LxWxHmm)	Color	λ_d (nm)/CIE(x,y)	I_v Min./Typ. (mcd)	I_v Max. (mcd)	V_F Min./Typ. (V)	V_F Max. (V)	I_F (mA)
15-11/BHC-AN1P2/2T	3.2x1.5x1.0	● Blue	470	28.5	72	2.7 / 3.3	3.7	20
15-11/BHC-ZL2N1QY/2T	3.2x1.5x1.0	● Blue	470	14.5	36	2.7	3.2	5
15-11/W1D-APQHY/2T	3.2x1.5x1.0	○ Pure White	x=0.274, y=0.226	45	112	2.7	3.15	5

SMD LED | Surface Mount Chip LED (PCB) | Top View 1206



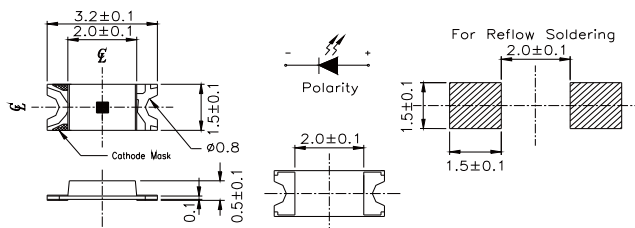
UNIT : mm



Product	Size (LxWxHmm)	Color	λ_d (nm)/CIE(x,y)	I_v Min./Typ. (mcd)	I_v Max. (mcd)	V_F Min./Typ. (V)	V_F Max. (V)	I_F (mA)
15-21/B6C-YR1S2B2/2T	3.2x1.5x1.0	Blue	470	112	285	2.9	3.6	20
15-21/B6C-ZQ1R1N/2T	3.2x1.5x1.0	Blue	470	72	140	2.7	3.7	20
15-21/BHC-AN1P2/2T	3.2x1.5x1.0	Blue	470	28.5	72	2.7 / 3.3	3.7	20
15-21/G6C-BK1L2VY/2T	3.2x1.5x1.0	Brilliant Yellow Green	573	7.2	18	1.7	2.2	5
15-21/G6C-FM1N2B/2T	3.2x1.5x1.0	Brilliant Yellow Green	573	18	45	1.75	2.35	20
15-21/G6C-FP1Q1L/2T	3.2x1.5x1.0	Brilliant Yellow Green	573	45	90	1.7	2.3	20
15-21/GHC-R2S2/2T	3.2x1.5x1.0	Brilliant Green	525	140	285	2.7 / 3.3	3.7	20
15-21/GHC-YR1S1/2T	3.2x1.5x1.0	Brilliant Green	525	112	225	3.5	3.7	20
15-21/R6C-AN1P2/2T	3.2x1.5x1.0	Brilliant Red	624	28.5	72	1.7 / 2	2.4	20
15-21/R6C-FQ1R1B/2T	3.2x1.5x1.0	Brilliant Red	624	72	140	1.75	2.35	20
15-21/S2C-AL2M2VY/2T	3.2x1.5x1.0	Brilliant Orange	605	14.5	28.5	1.7	2.2	5
15-21/S2C-AQ2R2B/2T	3.2x1.5x1.0	Brilliant Orange	605	90	180	1.75	2.35	20
15-21/S3C-AP1Q2/2T	3.2x1.5x1.0	Reddish Orange	615	45	112	1.7 / 2.0	2.4	20
15-21/T1D-CP1Q2TY/2T	3.2x1.5x1.0	Pure White	x=0.274, y=0.226	45	112	2.6	3	5
15-21/T7D-JQ2S1PY/2T	3.2x1.5x1.0	Pure White	x=0.274, y=0.226	90	225	2.7	3.3	5
15-21/W1D-APQHY/2T	3.2x1.5x1.0	Pure White	x=0.274, y=0.226	45 / 72	112	2.7 / 2.9	3.15	5
15-21/Y2C-AN1P2/2T	3.2x1.5x1.0	Brilliant Yellow	589	28.5	72	1.7 / 2	2.4	20
15-21/Y2C-CP1Q2B/2T	3.2x1.5x1.0	Brilliant Yellow	589	45	112	1.75	2.35	20

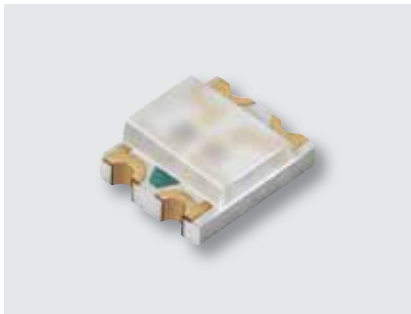


UNIT : mm

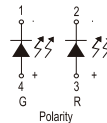
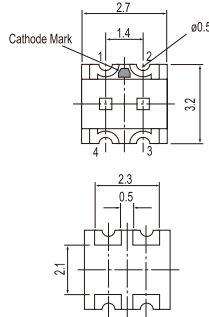


Product	Size (LxWxHmm)	Color	λ_d (nm)/CIE(x,y)	I_v Min./Typ. (mcd)	I_v Max. (mcd)	V_F Min./Typ. (V)	V_F Max. (V)	I_F (mA)
15-215/G7C-BN1P2B/2T	3.2x1.5x0.5	Brilliant Yellow Green	573	28.5	72	1.75	2.35	20
15-215/R6C-AM2P1VY/2T	3.2x1.5x0.5	Brilliant Red	624	22.5	57	1.7	2.2	5
15-215/R6C-AP1Q1L/2T	3.2x1.5x0.5	Brilliant Red	624	45	90	1.7	2.3	20

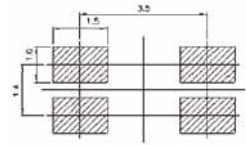
SMD LED | Surface Mount Chip LED (PCB) | Top View Bi-Color



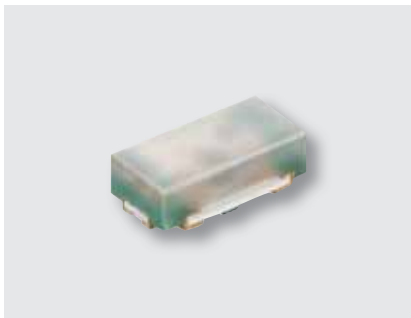
UNIT : mm



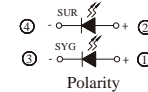
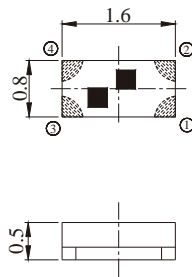
For Reflow Soldering



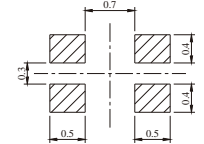
Product	Size (LxWxHmm)	Color	λ_d (nm)/ CIE(x,y)	I_v Min./Typ. (mcd)	I_v Max. (mcd)	V_F Min./Typ. (V)	V_F Max. (V)	I_F (mA)
15-22/R6G6C-A32/2T	3.2x2.7x1.1	● Brilliant Red ● Brilliant Yellow Green	R6 : 624 G6 : 573	R6 : 28.5 G6 : 28.5	R6 : 72 G6 : 72	R6 : 1.7 / 2 G6 : 1.7 / 2	R6 : 2.4 G6 : 2.4	20
15-22/R6GHC-A01/2T	3.2x2.7x1.1	● Brilliant Red ● Brilliant Yellow Green	R6 : 624 GH : 525	R6 : 90 / 130 GH : 112 / 165	--	R6 : 1.7 / 2 GH : 2.7 / 3.3	R6 : 2.4 GH : 3.7	20



UNIT : mm



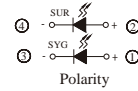
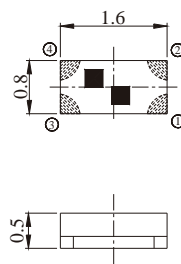
For Reflow Soldering(Propose)



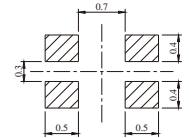
Product	Size (LxWxHmm)	Color	λ_d (nm)/ CIE(x,y)	I_v Min./Typ. (mcd)	I_v Max. (mcd)	V_F Min./Typ. (V)	V_F Max. (V)	I_F (mA)
18-225/B6R6C-C01/3T	1.6x0.8x0.5	● Blue ● Brilliant Red	B6 : 470 R6 : 624	B6 : 18 / 28.5 R6 : 18 / 28.5	-	B6 : 2.7 / 3.3 R6 : 1.7 / 2.0	B6 : 3.7 R6 : 2.4	5
18-225/R6G6C-A01/3T	1.6x0.8x0.5	● Brilliant Red ● Brilliant Yellow Green	R6 : 624 G6 : 573	R6 : 45 G6 : 28.5	R6 : 112 G6 : 72	R6 : 1.7 / 2 G6 : 1.7 / 2	R6 : 2.4 G6 : 2.4	20
18-225/S2G6C-A01/3T	1.6x0.8x0.5	● Brilliant Orange ● Brilliant Yellow Green	S2 : 605 G6 : 573	S2 : 32 / 48 G6 : 16 / 24	-	S2 : 1.7 / 2 G6 : 1.7 / 2	S2 : 2.4 G6 : 2.4	20



UNIT : mm



For Reflow Soldering(Propose)

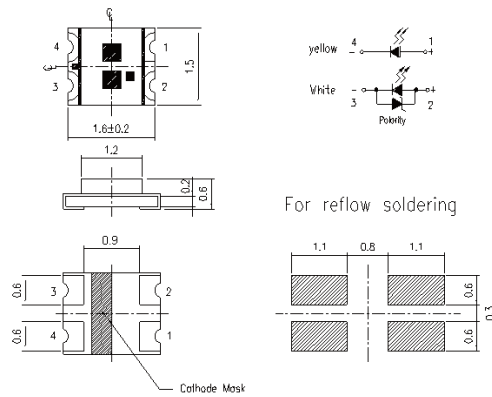


Product	Size (LxWxHmm)	Color	λ_d (nm)/ CIE(x,y)	I_v Min./Typ. (mcd)	I_v Max. (mcd)	V_F Min./Typ. (V)	V_F Max. (V)	I_F (mA)
18-225A/R6GHW-B01/3T	1.6x0.8x0.5	● Brilliant Red ● Brilliant Green	R6 : 624 GH : 525	R6 : 28.5 GH : 72	R6 : 72 GH : 180	R6 : 1.7 / 2 GH : 2.7 / 3.3	R6 : 2.4 GH : 3.7	10

SMD LED | Surface Mount Chip LED (PCB) | Top View Bi-Color



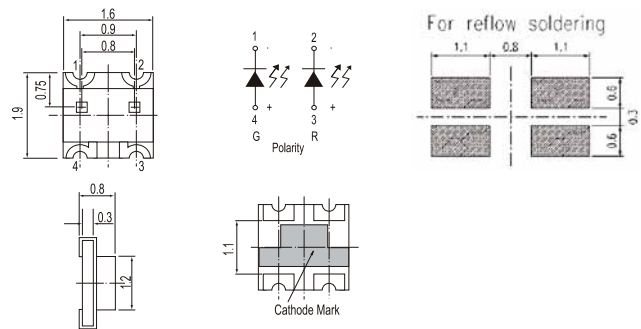
UNIT : mm



Product	Size (LxWxHmm)	Color	λ_d (nm)/CIE(x,y)	I_v Min./Typ. (mcd)	I_v Max. (mcd)	V_F Min./Typ. (V)	V_F Max. (V)	I_F (mA)
19-123/Y2ST1D-C30/2T	1.6x1.5x0.6	● Brilliant Yellow ○ Pure White	Y2S : 589 x=0.274, y=0.226	Y2S : 28.5 T1 : 45	Y2S : 72 T1 : 112	Y2S : 1.7 / 2 T1 : 2.7 / 3.3	Y2S : 2.4 T1 : 3.7	5



UNIT : mm

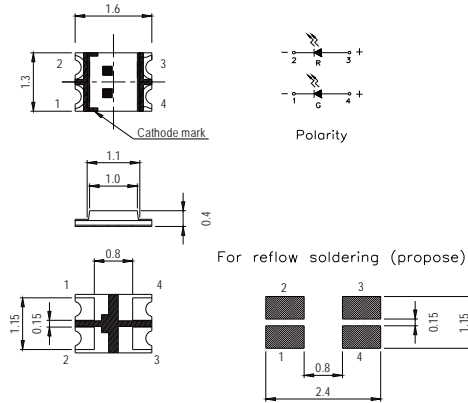


Product	Size (LxWxHmm)	Color	λ_d (nm)/CIE(x,y)	I_v Min./Typ. (mcd)	I_v Max. (mcd)	V_F Min./Typ. (V)	V_F Max. (V)	I_F (mA)
19-22/G6R6C-A31/2T	1.9x1.6x0.8	● Brilliant Red ● Brilliant Yellow Green	R6 : 624 G6 : 573	R6 : 45 G6 : 22.5	R6 : 90 G6 : 57	R6 : 1.7 / 2 G6 : 1.7 / 2	R6 : 2.4 G6 : 2.4	20
19-22/R6BHC-B01/2T	1.9x1.6x0.8	● Brilliant Red ● Blue	R6 : 624 BH : 470	R6 : 14.5 / 20 BH : 14.5 / 20	--	R6 : 1.9 BH : 2.9	R6 : 2.3 BH : 3.3	5
19-22/R6G6C-A01/2T	1.9x1.6x0.8	● Brilliant Red ● Brilliant Yellow Green	R6 : 624 G6 : 573	R6 : 45 G6 : 45	R6 : 72 G6 : 72	R6 : 1.7 / 2 G6 : 1.7 / 2	R6 : 2.4 G6 : 2.4	20
19-22/R6GHC-C02/2T	1.9x1.6x0.8	● Brilliant Red ● Brilliant Green	R6 : 624 GH : 525	R6 : 14.5 / 20 GH : 45 / 65	--	R6 : 1.9 GH : 2.9	R6 : 2.3 GH : 3.4	5
19-22/Y2G6C-A14/2T	1.9x1.6x0.8	● Brilliant Yellow Green ● Brilliant Yellow	G6 : 573 Y2 : 589	G6 : 28.5 Y2 : 45	G6 : 72 Y2 : 112	G6 : 1.7 / 2 Y2 : 1.7 / 2	G6 : 2.4 Y2 : 2.4	20

SMD LED | Surface Mount Chip LED (PCB) | Top View Bi-Color



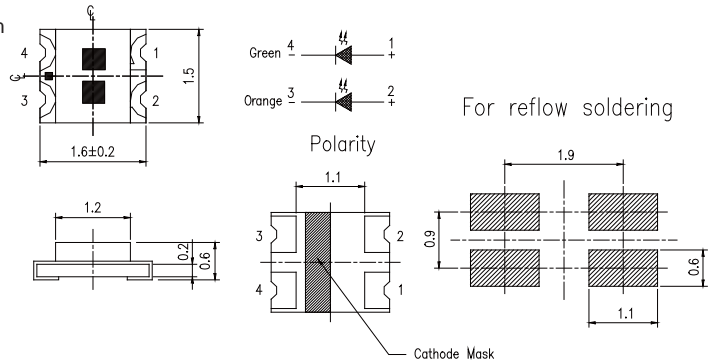
UNIT : mm



Product	Size (LxWxHmm)	Color	λ_d (nm)/CIE(x,y)	I_v Min./Typ. (mcd)	I_v Max./Typ. (mcd)	V_F Min./Typ. (V)	V_F Max. (V)	I_F (mA)
19-226/R6BHC-B01/2T	1.6x1.3x0.4	● Brilliant Red ● Blue	R6 : 624 BH : 470	R6 : 72 BH : 45	Tye. R6 : 100 BH : 80	R6 : 1.7 / 2 BH : 2.7 / 3.3	R6 : 2.4 BH : 3.7	20
19-226/R6G7C-B02/2T	1.6x1.3x0.4	● Brilliant Red ● Brilliant Yellow Green	R6 : 624 G7 : 573	R6 : 22.5 G7 : 7.2	Max. R6 : 57 G7 : 18	R6 : 1.7 / 2 G7 : 1.7 / 2	R6 : 2.4 G7 : 2.4	10
19-226/R6GHC-A03/2T	1.6x1.3x0.4	● Brilliant Red ● Brilliant Green	R6 : 624 GH : 525	R6 : 72 GH : 112	Max. R6 : 140 GH : 225	R6 : 1.7 / 2 GH : 2.7 / 3.3	R6 : 2.4 GH : 3.7	20

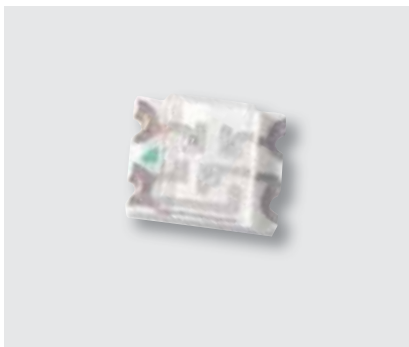


UNIT : mm

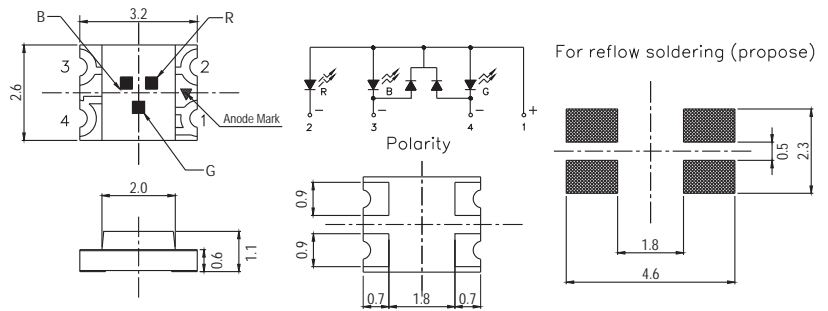


Product	Size (LxWxHmm)	Color	λ_d (nm)/CIE(x,y)	I_v Min./Typ. (mcd)	I_v Max. (mcd)	V_F Min./Typ. (V)	V_F Max. (V)	I_F (mA)
19-223/G6S2C-A01/2T	1.6x1.5x0.6	● Brilliant Orange ● Brilliant Yellow Green	S2 : 605 G6 : 573	S2 : 90 G6 : 30	S2 : 180 G6 : 60	S2 : 2 G6 : 2	S2 : 2.4 G6 : 2.4	20
19-223/R6BHC-A05/2T	1.6x1.5x0.6	● Brilliant Red ● Blue	R6 : 624 BH : 470	R6 : 72 BH : 36	R6 : 180 BH : 72	R6 : 1.7 / 2 BH : 2.7 / 3.3	R6 : 2.4 BH : 3.7	20
19-223/R6G6C-A01/2T	1.6x1.5x0.6	● Brilliant Red ● Brilliant Yellow Green	R6 : 624 G6 : 573	R6 : 72 G6 : 22.5	R6 : 180 G6 : 57	R6 : 1.7 / 2 G6 : 1.7 / 2	R6 : 2.4 G6 : 2.4	20
19-223/R7BHC-A30/2T	1.6x1.5x0.6	● Dark Red ● Blue	R7 : 631 BH : 470	R7 : 45 BH : 36	R7 : 112 BH : 90	R7 : 1.7 / 2 BH : 2.7 / 3.3	R7 : 2.4 BH : 2.7 / 3.7	20
19-223/R7G6C-A01/2T	1.6x1.5x0.6	● Dark Red ● Brilliant Yellow Green	R7 : 631 G6 : 573	R7 : 18 G6 : 18	R7 : 72 G6 : 72	R7 : 2 G6 : 2	R7 : 2.4 G6 : 2.4	20
19-223/S2BHC-A01/2T	1.6x1.5x0.6	● Brilliant Orange ● Blue	S2 : 605 BH : 470	S2 : 72 BH : 36	S2 : 140 BH : 72	S2 : 1.7 / 2 BH : 3	S2 : 2.4 BH : 3.5	20
19-223/S2T1D-C30/2T	1.6x1.5x0.6	● Brilliant Orange ○ Pure White	S2 : 605 x=0.274, y=0.226	S2 : 18 T1 : 45	S2 : 45 T1 : 112	S2 : 1.55 T1 : 2.7	S2 : 2.15 T1 : 3.3	5
19-223/Y2G6C-A01/2T	1.6x1.5x0.6	● Brilliant Yellow Green ● Brilliant Yellow	G6 : 573 Y2 : 589	G6 : 28.5 Y2 : 36	G6 : 57 Y2 : 72	G6 : 1.7 / 2 Y2 : 1.7 / 2	G6 : 2.4 Y2 : 2.4	20

SMD LED | Surface Mount Chip LED (PCB) | Top View Full Color



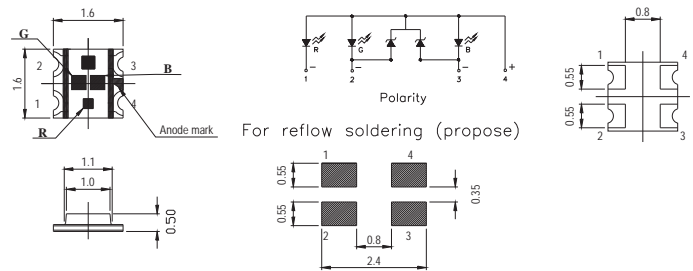
UNIT : mm



Product	Size (LxWxHmm)	Color	λ_d (nm)/ CIE(x,y)	I_v Min./Typ. (mcd)	I_v Max. (mcd)	V_f Min./Typ. (V)	V_f Max. (V)	I_f (mA)
15-13D/R6GHBHC-A01/2T	3.2x2.6x1.1	<ul style="list-style-type: none"> ● Blue ● Brilliant Red ● Brilliant Green 	BH : 470 R6 : 624 GH : 525	BH : 45 / 70 R6 : 90 / 140 GH : 112 / 180	--	BH : 2.7 / 3.3 R6 : 1.7 / 2 GH : 2.7 / 3.3	BH : 3.7 R6 : 2.4 GH : 3.7	20



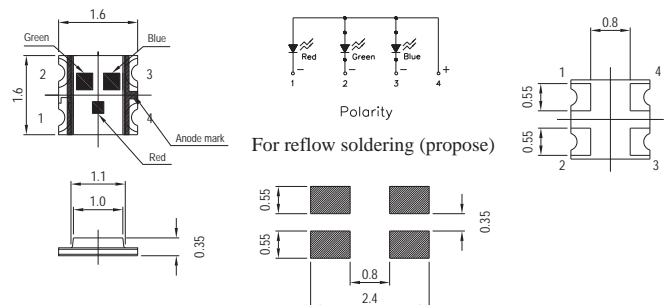
UNIT : mm



Product	Size (LxWxHmm)	Color	λ_d (nm)/ CIE(x,y)	I_v Min./Typ. (mcd)	I_v Max. (mcd)	V_f Min./Typ. (V)	V_f Max. (V)	I_f (mA)
19-137/R6GHBHC-A01/2T	1.6x1.6x0.5	<ul style="list-style-type: none"> ● Blue ● Brilliant Red ● Brilliant Green 	BH : 470 R6 : 624 GH : 525	BH : 28.5 / 50 R6 : 72 / 100 GH : 112 / 180	--	BH : 2.7 / 3.3 R6 : 1.7 / 2 GH : 2.7 / 3.3	BH : 3.7 R6 : 2.4 GH : 3.7	20



UNIT : mm

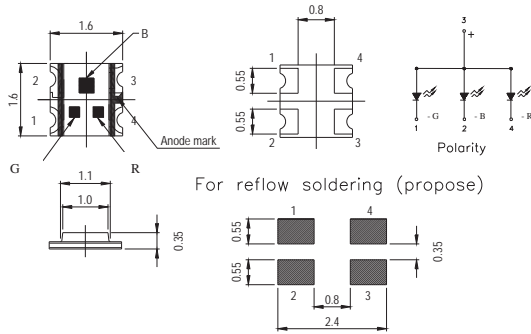


Product	Size (LxWxHmm)	Color	λ_d (nm)/ CIE(x,y)	I_v Min./Typ. (mcd)	I_v Max. (mcd)	V_f Min./Typ. (V)	V_f Max. (V)	I_f (mA)
19-237/R6GHBHC-A04/2T	1.6x1.6x0.35	<ul style="list-style-type: none"> ● Blue ● Brilliant Red ● Brilliant Green 	BH : 470 R6 : 624 GH : 525	BH : 11.5 / 18 R6 : 18 / 30 GH : 28.5 / 60	--	BH : 2.6 R6 : 1.9 GH : 2.6	BH : 3 R6 : 2.2 GH : 3	5

SMD LED | Surface Mount Chip LED (PCB) | Top View Full Color



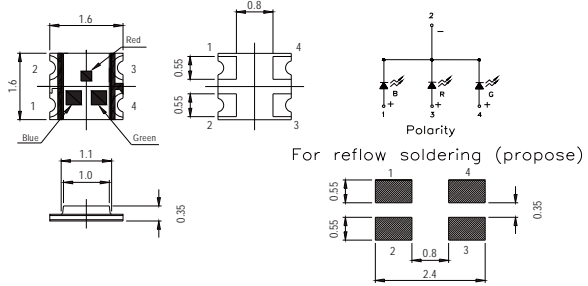
UNIT : mm



Product	Size (LxWxHmm)	Color	λ_d (nm)/ CIE(x,y)	I_v Min./Typ. (mcd)	I_v Max. (mcd)	V_F Min./Typ. (V)	V_F Max. (V)	I_F (mA)
19-237A/BHR6GHC-A01/2T	1.6x1.6x0.35	<ul style="list-style-type: none"> ● Blue ● Brilliant Red ● Brilliant Green 	BH : 470 R6 : 624 GH : 525	BH : 28.5 / 50 R6 : 72 / 100 GH : 112 / 180	-	BH : 3.3 R6 : 2 GH : 3.3	BH : 3.9 R6 : 2.4 GH : 3.9	20



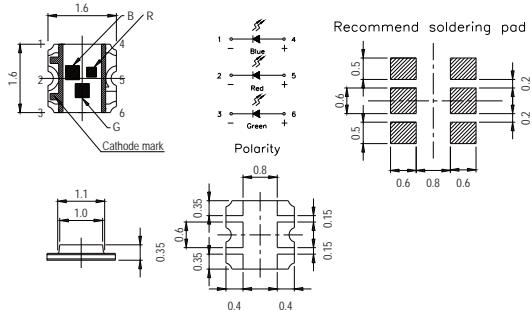
UNIT : mm



Product	Size (LxWxHmm)	Color	λ_d (nm)/ CIE(x,y)	I_v Min./Typ. (mcd)	I_v Max. (mcd)	V_F Min./Typ. (V)	V_F Max. (V)	I_F (mA)
19-237B/R6GHBHC-C01/2T	1.6x1.6x0.35	<ul style="list-style-type: none"> ● Blue ● Brilliant Red ● Brilliant Green 	BH : 470 R6 : 624 GH : 525	BH : 11.5 / 18 R6 : 18 / 30 GH : 28.5 / 60	BH : 28.5 R6 : 57 GH : 112	BH : 2.6 / 3 R6 : 1.7 / 2 GH : 2.6 / 3	BH : 3.3 R6 : 2.2 GH : 3.3	5



UNIT : mm

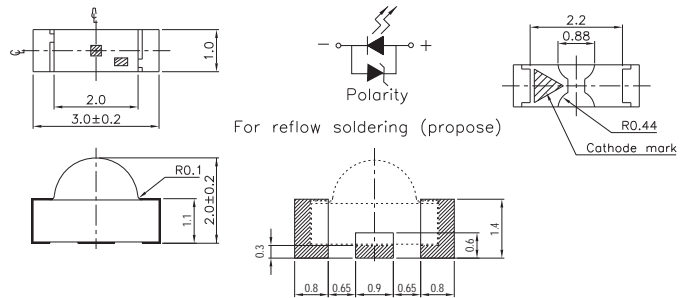


Product	Size (LxWxHmm)	Color	λ_d (nm)/ CIE(x,y)	I_v Min./Typ. (mcd)	I_v Max. (mcd)	V_F Min./Typ. (V)	V_F Max. (V)	I_F (mA)
19-337/R6GHBHC-A01/2T	1.6x1.6x0.35	<ul style="list-style-type: none"> ● Blue ● Brilliant Red ● Brilliant Green 	BH : 470 R6 : 624 GH : 525	BH : 36 / 50 R6 : 72 / 100 GH : 140 / 180	--	BH : 3.3 R6 : 2.0 GH : 3.3	BH : 3.9 R6 : 2.4 GH : 3.9	20

SMD LED | Surface Mount Chip LED (PCB) | Side View (0.2T~1.0T)



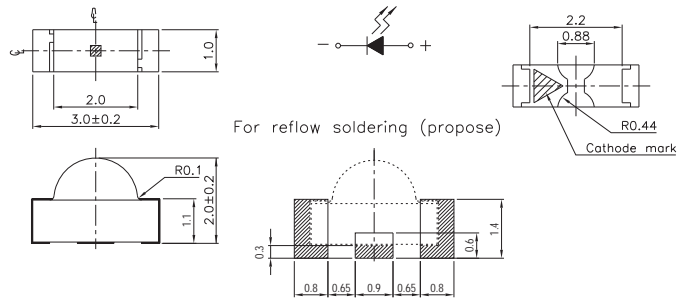
UNIT : mm



Product	Size (LxWxHmm)	Color	λ_d (nm)/CIE(x,y)	I_v Min./Typ. (mcd)	I_v Max. (mcd)	V_F Min./Typ. (V)	V_F Max. (V)	I_F (mA)
12-11/BHC-ZL1M2QY/2C	3x2x1	● Blue	470	11.5	28.5	2.7	3.2	5



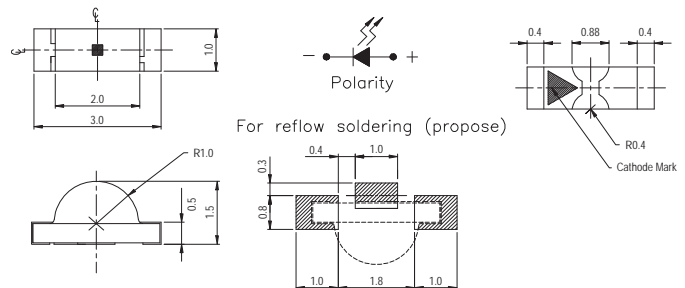
UNIT : mm



Product	Size (LxWxHmm)	Color	λ_d (nm)/CIE(x,y)	I_v Min./Typ. (mcd)	I_v Max. (mcd)	V_F Min./Typ. (V)	V_F Max. (V)	I_F (mA)
12-21/BHC-AN1P2/2C	3x2x1	● Blue	470	28.5	72	2.7 / 3.3	3.7	20
12-21/BHC-ZL1M2RY/2C	3x2x1	● Blue	470	11.5	28.5	2.5	3.1	5
12-21/GHC-YR2S2/2C	3x2x1	● Brilliant Green	525	140	285	3.5	4.3	20
12-21/R8C-AN1P2B/2D	3x2x1	● Deep Red	639	28.5	72	1.75	2.35	20
12-21/T3D-AQ2S2M/2C	3x2x1	○ Pure White	x=0.274, y=0.226	90	285	2.75	3.95	20

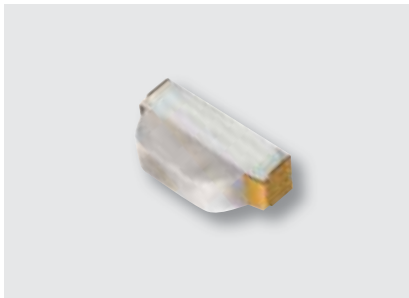


UNIT : mm

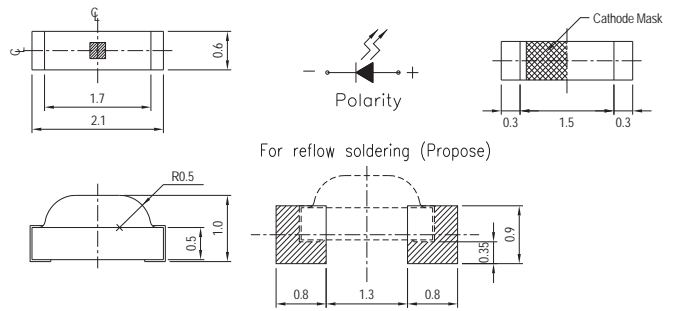


Product	Size (LxWxH mm)	Color	λ_d (nm)/CIE(x,y)	I_v Min./Typ. (mcd)	I_v Max. (mcd)	V_F Min./Typ. (V)	V_F Max. (V)	I_F (mA)
12-21C/BHC-AN1P2/2C	3x1.5x1	● Blue	470	28.5	72	2.7 / 3.3	3.7	20
12-21C/BHC-YL1M2HY/2C	3x1.5x1	● Blue	470	11.5	28.5	2.7	3.15	5
12-21C/T3D-CP1Q2B12Y/2C	3x1.5x1	○ Pure White	x=0.274, y=0.226	45	112	2.7	3.4	5
12-21C/W1D-AR1S2/2C	3x1.5x1	○ Pure White	x=0.274, y=0.226	112	285	3.3	3.7	20

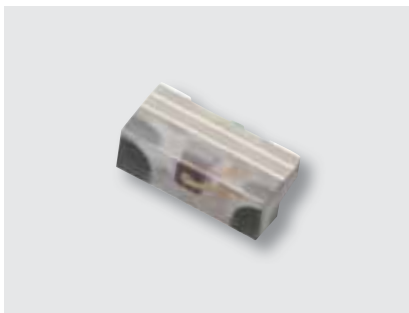
SMD LED | Surface Mount Chip LED (PCB) | Side View (0.2T~1.0T)



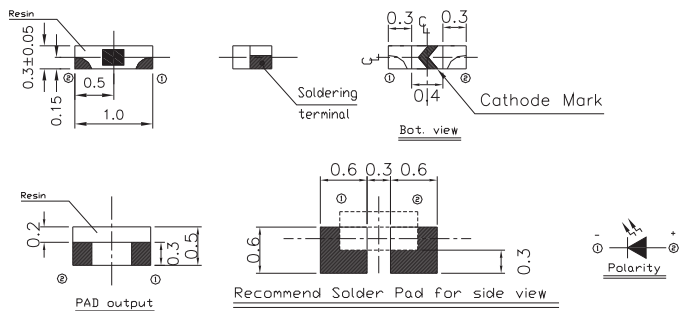
UNIT : mm



Product	Size (LxWxHmm)	Color	λ_d (nm)/CIE(x,y)	I_v Min./Typ. (mcd)	I_v Max. (mcd)	V_F Min./Typ. (V)	V_F Max. (V)	I_F (mA)
12-215/BHC-AN1P2/3C	2.1x1x0.6	● Blue	470	28.5	72	3.5	4	20
12-215/BHC-XL1M2HY/3C	2.1x1x0.6	● Blue	470	11.5	28.5	2.7	3.15	5
12-215/G6C-AL2M2B/3C	2.1x1x0.6	● Brilliant Yellow Green	573	14.5	28.5	1.75	2.35	20
12-215/G6C-BP1Q2L/3C	2.1x1x0.6	● Brilliant Yellow Green	573	45	112	1.7	2.3	20
12-215/R6C-AR1S1B/3C	2.1x1x0.6	● Brilliant Red	624	112	225	1.75	2.35	20
12-215/T1D-ANPHY/3C	2.1x1x0.6	○ Pure White	x=0.274, y=0.226	28.5	72	2.7	3.15	5
12-215/W1D-ANPHY/3C	2.1x1x0.6	○ Pure White	x=0.274, y=0.226	28.5	72	2.7	3.15	5
12-215/Y2C-BR1S1L/3C	2.1x1x0.6	● Brilliant Yellow	589	112	225	1.7	2.3	20
12-215/Y2C-CP1Q2B/3C	2.1x1x0.6	● Brilliant Yellow	589	45	112	1.75	2.35	20
12-215/Y2C-CQ1R1B/3C	2.1x1x0.6	● Brilliant Yellow	589	72	140	1.75	2.35	20



UNIT : mm

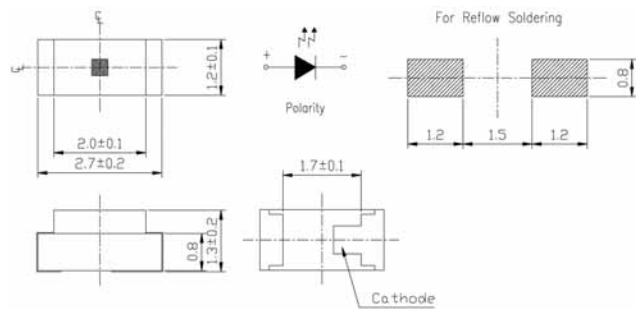


Product	Size (LxWxHmm)	Color	λ_d (nm)/CIE(x,y)	I_v Min./Typ. (mcd)	I_v Max. (mcd)	V_F Min./Typ. (V)	V_F Max. (V)	I_F (mA)
16-916/T1D-AP1Q2QY/3T	1x0.5x0.3	○ Pure White	x=0.274, y=0.226	45	112	2.7	3.2	5

SMD LED | Surface Mount Chip LED (PCB) | Side View (0.2T~1.0T)



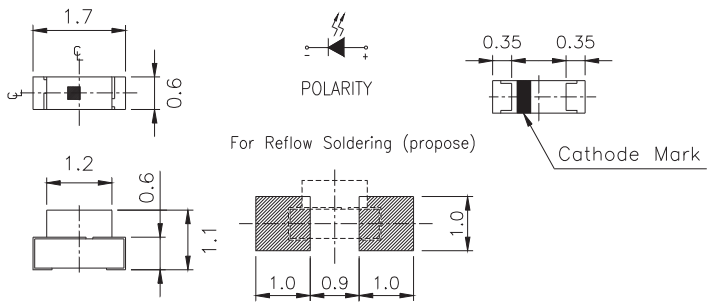
UNIT : mm



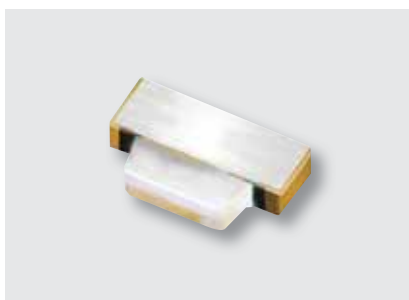
Product	Size (LxWxH mm)	Color	λ_d (nm)/CIE(x,y)	I_v Min./Typ. (mcd)	I_v Max. (mcd)	V_F Min./Typ. (V)	V_F Max. (V)	I_F (mA)
22-21/BHC-AN1P2/2C	2.7x1.3x1.2	●Blue	470	28.5	72	3.8	4.5	20
22-21/GHC-YR1S2/2C	2.7x1.3x1.2	●Brilliant Green	525	112	285	2.7 / 3.3	3.7	20



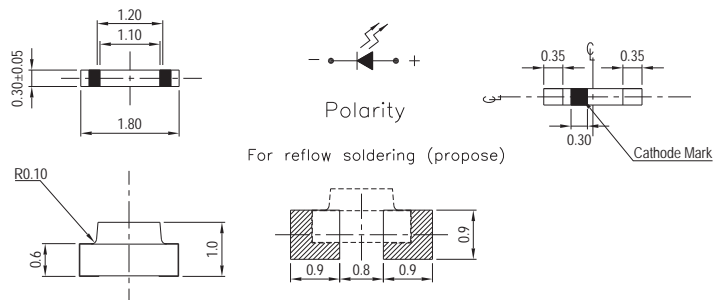
UNIT : mm



Product	Size (LxWxH mm)	Color	λ_d (nm)/CIE(x,y)	I_v Min./Typ. (mcd)	I_v Max. (mcd)	V_F Min./Typ. (V)	V_F Max. (V)	I_F (mA)
27-21/BHC-AN1P2/3C	1.7x1.1x0.6	●Blue	470	28.5	72	2.7 / 3.3	3.7	20
27-21/BHC-AP1Q2/3C	1.7x1.1x0.6	●Blue	470	45	112	2.7 / 3.3	3.7	20
27-21/GHC-YR1S2M/3C	1.7x1.1x0.6	●Brilliant Green	525	112	285	2.75	3.95	20
27-21/R6C-AP1Q2B/3C	1.7x1.1x0.6	●Brilliant Red	624	45	112	1.75	2.35	20
27-21/T1D-ANPHY/3C	1.7x1.1x0.6	○Pure White	x=0.274, y=0.226	28.5	72	2.7	3.15	5
27-21/T1D-CQ1R2NW/3C	1.7x1.1x0.6	○Pure White	x=0.274, y=0.226	72	180	2.7	3.7	15
27-21/T3D-AP2Q2HY/3C	1.7x1.1x0.6	○Pure White	x=0.274, y=0.226	57	112	2.7	3.15	5
27-21/W1D-APQHY/3C	1.7x1.1x0.6	○Pure White	x=0.274, y=0.226	45	112	2.7	3.15	5
27-21/Y2C-CPQB/3D	1.7x1.1x0.6	●Brilliant Yellow	589	45	112	1.75	2.35	20



UNIT : mm

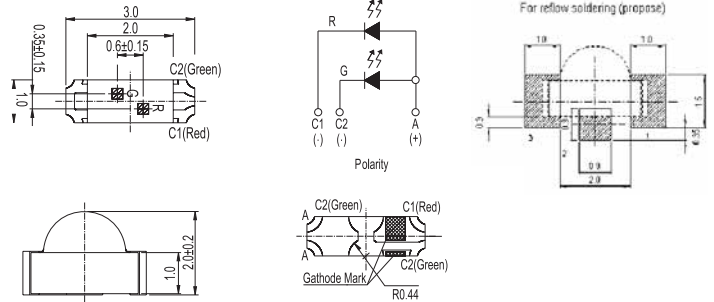


Product	Size (LxWxH mm)	Color	λ_d (nm)/CIE(x,y)	I_v Min./Typ. (mcd)	I_v Max. (mcd)	V_F Min./Typ. (V)	V_F Max. (V)	I_F (mA)
48-213/BHC-ZM2P1QY/3C	1.8x1.0x0.3	●Blue	470	22.5	57	2.7	3.2	5
48-213/R6C-AM1N2VY/3C	1.8x1.0x0.3	●Brilliant Red	624	18	45	1.7	2.2	5
48-213/T2D-AQ2R2QY/3C	1.8x1.0x0.3	○Pure White	x=0.274, y=0.226	90	180	2.7	3.2	5
48-213/T3D-AP1Q2TY/3C	1.8x1.0x0.3	○Pure White	x=0.274, y=0.226	45	112	2.6	3	5
48-213/T7D-AQ1R2QY/3C	1.8x1.0x0.3	○Pure White	x=0.274, y=0.226	72	180	2.7	3.2	5

SMD LED | Surface Mount Chip LED (PCB) | Side View Bi-Color



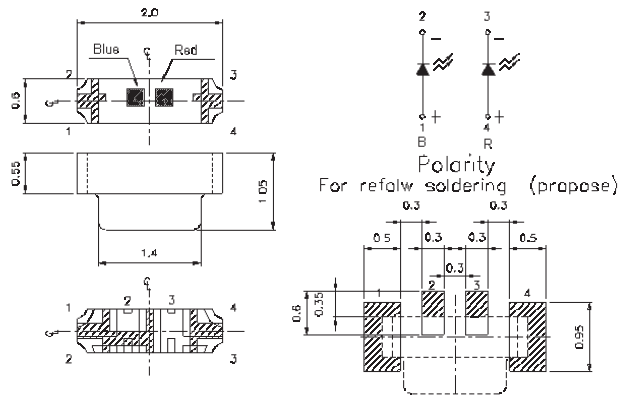
UNIT : mm



Product	Size (LxWxHmm)	Color	λ_d (nm)/ CIE(x,y)	I_v Min./Typ. (mcd)	I_v Max. (mcd)	V_F Min./Typ. (V)	V_F Max. (V)	I_F (mA)
12-22/BHR6C-A01/2C	3.0x2.0x1.0	● Blue ● Brilliant Red	BH : 470 R6 : 624	BH : 18 / 28 R6 : 22.5 / 30	--	BH : 2.7 R6 : 1.7	BH : 3.1 R6 : 2.2	5
12-22/G6R8C-A30/2C	3.0x2.0x1.0	● Brilliant Yellow Green ● Deep Red	G6 : 573 R8 : 639	G6 : 28.5 R8 : 28.5	G6 : 72 R8 : 72	G6 : 1.7 / 2 R8 : 1.7 / 2	G6 : 2.4 R8 : 2.4	20
12-22/R6GHC-A30/2C	3.0x2.0x1.0	● Brilliant Red ● Brilliant Green	R6 : 624 GH : 525	R6 : 72 GH : 112	R6 : 180 GH : 285	R6 : 1.7 / 2 GH : 2.7 / 3.3	R6 : 2.4 GH : 3.7	20
12-22/Y2G6C-A30/2C	3.0x2.0x1.0	● Brilliant Yellow ● Brilliant Yellow Green	Y2 : 589 G6 : 573	Y2 : 45 G6 : 28.5	Y2 : 112 G6 : 72	Y2 : 1.7 / 2 G6 : 1.7 / 2	Y2 : 2.4 G6 : 2.4	20



UNIT : mm

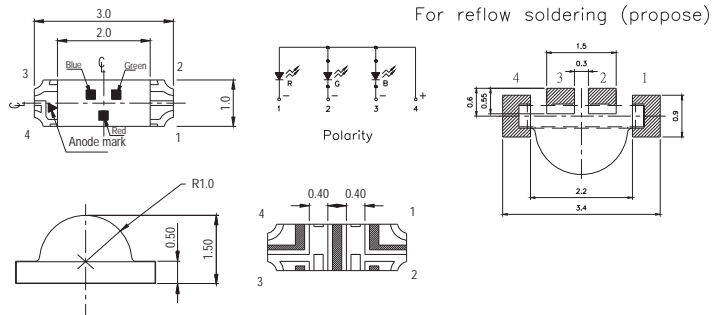


Product	Size (LxWxHmm)	Color	λ_d (nm)/ CIE(x,y)	I_v Min./Typ. (mcd)	I_v Max. (mcd)	V_F Min./Typ. (V)	V_F Max. (V)	I_F (mA)
17-223/BHR7C-C30/3C	2.0x1.05x0.6	● Blue ● Dark Red	BH : 470 R7 : 631	BH : 22.5 R7 : 14.5	BH : 57 R7 : 36	BH : 2.7 R7 : 1.55	BH : 3.2 R7 : 2.15	5

SMD LED | Surface Mount Chip LED (PCB) | Side View Full Color



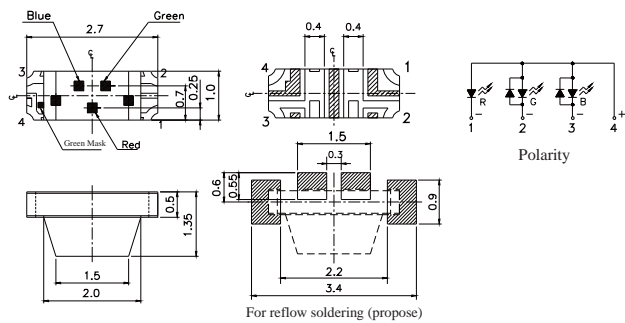
UNIT : mm



Product	Size (LxWxHmm)	Color	λ_d (nm)/ CIE(x,y)	I_v Min./Typ. (mcd)	I_v Max. (mcd)	V_F Min./Typ. (V)	V_F Max. (V)	I_F (mA)
12-23C/R6GHBHC-A01/2C	3.0x1.5x1.0	● Blue	BH : 470	BH : 32 / 50	--	BH : 3.3	BH : 3.9	20
		● Brilliant Red	R6 : 624	R6 : 63 / 90		R6 : 2	R6 : 2.4	
		● Brilliant Green	GH : 525	GH : 125 / 180		GH : 3.3	GH : 3.9	
12-23C/S2GHBHC-A01/2C	3.0x1.5x1.0	● Brilliant Orange	BH : 470	BH : 36 / 65	--	BH : 3.3	BH : 3.9	20
		● Blue	S2 : 605	S2 : 72 / 140		S2 : 2	S2 : 2.4	
		● Brilliant Green	GH : 525	GH : 140 / 210		GH : 3.3	GH : 3.9	



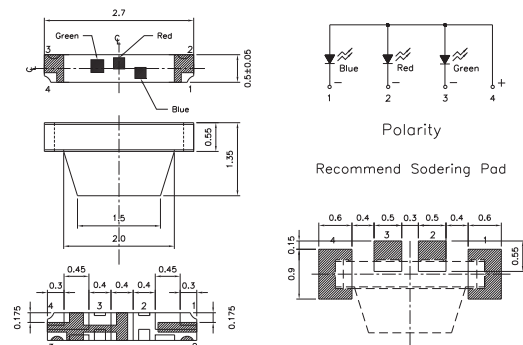
UNIT : mm



Product	Size (LxWxHmm)	Color	λ_d (nm)/ CIE(x,y)	I_v Min./Typ. (mcd)	I_v Max. (mcd)	V_F Min./Typ. (V)	V_F Max. (V)	I_F (mA)
22-23/R6GHBHC-A01/2C	2.7x1.35x1.0	● Blue	BH : 470	BH : 28.5 / 112	--	BH : 2.7 / 3.3	BH : 3.7	20
		● Brilliant Red	R6 : 624	R6 : 45 / 180		R6 : 1.7 / 2	R6 : 2.4	
		● Brilliant Green	GH : 525	GH : 112 / 450		GH : 2.7 / 3.3	GH : 3.7	



UNIT : mm

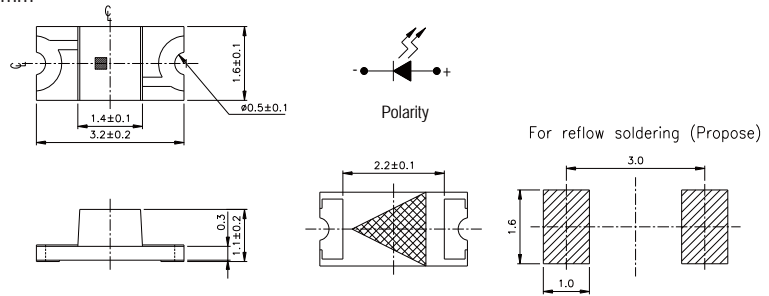


Product	Size (LxWxHmm)	Color	λ_d (nm)/ CIE(x,y)	I_v Min./Typ. (mcd)	I_v Max. (mcd)	V_F Min./Typ. (V)	V_F Max. (V)	I_F (mA)
22-23C/R6GHBHW-C01/2C	2.7x1.35x0.5	● Blue	BH : 470	BH : 10	BH : 24.5	BH : 2.7 / 2.9	BH : 3.1	5
		● Brilliant Red	R6 : 624	R6 : 14.5	R6 : 36	R6 : 1.7 / 1.85	R6 : 2	
		● Brilliant Green	GH : 525	GH : 35	GH : 110	GH : 2.7 / 2.9	GH : 3.2	

SMD LED | Surface Mount Chip LED (PCB) | Reverse Mount



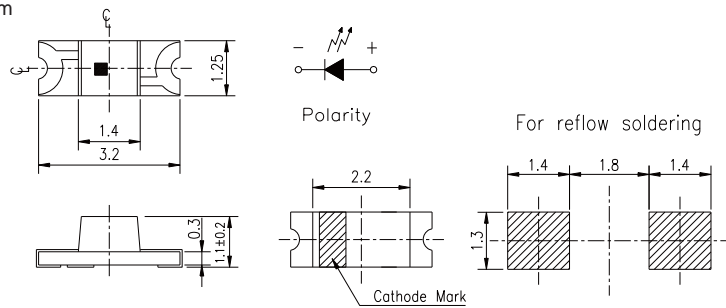
UNIT : mm



Product	Size (LxWxHmm)	Color	λ_d (nm)/CIE(x,y)	I_v Min./Typ. (mcd)	I_v Max. (mcd)	V_F Min./Typ. (V)	V_F Max. (V)	I_F (mA)
23-21/G6C-AL2N1/2T	3.2x1.6x1.1	● Brilliant Yellow Green	573	14.5	36	1.7 / 2	2.4	20
23-21/GHC-YR2T1/2A	3.2x1.6x1.1	● Brilliant Green	525	140	360	3.5	3.9	20
23-21/R6C-AM1N2AY/2A	3.2x1.6x1.1	● Brilliant Red	624	18	45	1.55	2.15	5
23-21/R8C-AN2Q1B/2T	3.2x1.6x1.1	● Deep Red	639	36	90	1.75	2.35	20



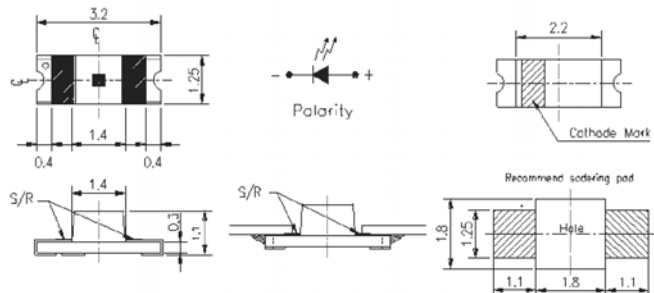
UNIT : mm



Product	Size (LxWxHmm)	Color	λ_d (nm)/CIE(x,y)	I_v Min./Typ. (mcd)	I_v Max. (mcd)	V_F Min./Typ. (V)	V_F Max. (V)	I_F (mA)
23-21B/BHC-AN1P2/2A	3.2x1.25x1.1	● Blue	470	28.5	72	3.5	4	20
23-21B/BHC-ZM1N2TY/2A	3.2x1.25x1.1	● Blue	470	18	45	2.6	3	5
23-21B/G6C-AM2P1/2A	3.2x1.25x1.1	● Brilliant Yellow Green	573	22.5	57	1.7 / 2	2.4	20
23-21B/S2C-AP1Q2B/2A	3.2x1.25x1.1	● Brilliant Orange	605	45	112	1.7	2.4	20
23-21B/T1D-ANQHY/2A	3.2x1.25x1.1	○ Pure White	x=0.274, y=0.226	28.5	112	2.7	3.15	5
23-21B/T1D-CP2Q2TY/2A	3.2x1.25x1.1	○ Pure White	x=0.274, y=0.226	57	112	2.6	3	5
23-21B/W1D-ANQHY/2A	3.2x1.25x1.1	○ Pure White	x=0.274, y=0.226	28.5	112	2.7	3.15	5



UNIT : mm

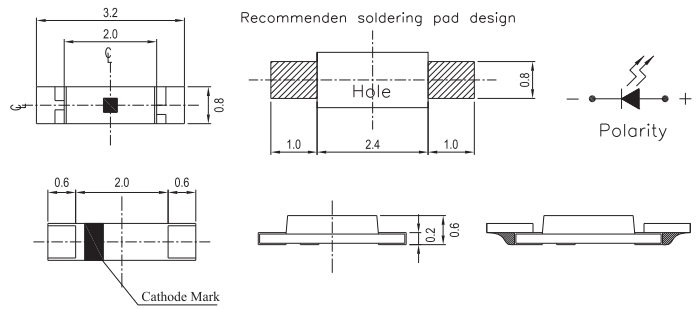


Product	Size (LxWxHmm)	Color	λ_d (nm)/CIE(x,y)	I_v Min./Typ. (mcd)	I_v Max. (mcd)	V_F Min./Typ. (V)	V_F Max. (V)	I_F (mA)
23-21C/T1D-CP2Q2TY/2A	3.2x1.25x1.1	○ White	x=0.274, y=0.226	57	112	Min. 2.6	3	5

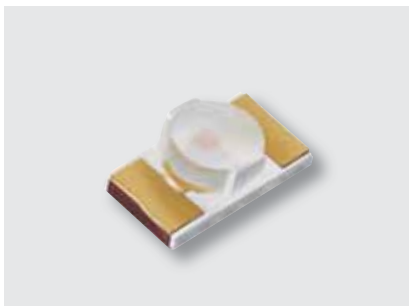
SMD LED | Surface Mount Chip LED (PCB) | Reverse Mount



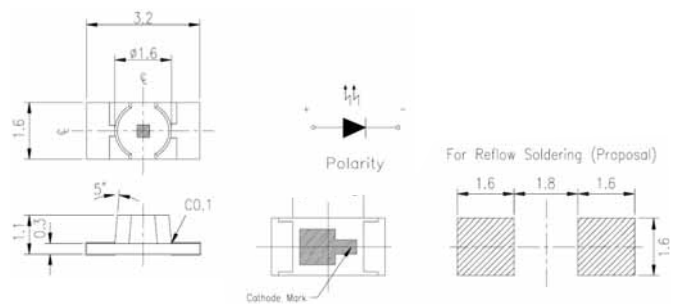
UNIT : mm



Product	Size (LxWxHmm)	Color	λ_d (nm)/CIE(x,y)	I_v Min./Typ. (mcd)	I_v Max. (mcd)	V_F Min./Typ. (V)	V_F Max. (V)	I_F (mA)
23-215A/BHC-DN2P2E/5A	3.2x0.8x0.6	● Blue	470	36	72	2.75	3.65	20



UNIT : mm

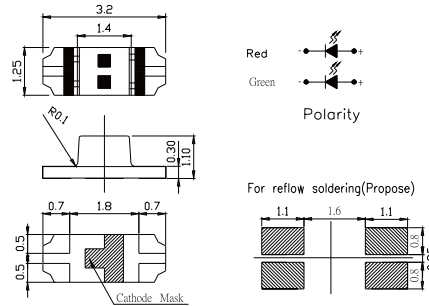


Product	Size (LxWxHmm)	Color	λ_d (nm)/CIE(x,y)	I_v Min./Typ. (mcd)	I_v Max. (mcd)	V_F Min./Typ. (V)	V_F Max. (V)	I_F (mA)
24-21/BHC-AN1P2/2A	3.2x1.6x1.1	● Blue	470	28.5	72	2.7/3.3	3.7	20
24-21/GHC-YR2T1/2A	3.2x1.6x1.1	● Brilliant Green	525	140	360	3.5	4	20

SMD LED | Surface Mount Chip LED (PCB) | Reverse Mount Bi-color



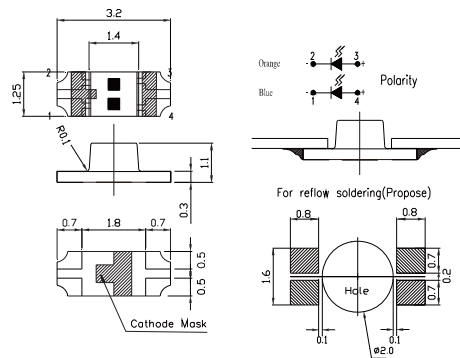
UNIT : mm



Product	Size (LxWxHmm)	Color	λ_d (nm)/CIE(x,y)	I_v Min./Typ. (mcd)	I_v Max. (mcd)	V_F Min./Typ. (V)	V_F Max. (V)	I_F (mA)
23-22B/R7G6C-A30/2T	3.2x1.25x1.1	<ul style="list-style-type: none"> ● Dark Red ● Brilliant Yellow Green 	R7 : 631 G6 : 573	R7 : 18 G6 : 14.5	R7 : 72 G6 : 45	R7 : 1.7 / 2 G6 : 1.7 / 2	R7 : 2.4 G6 : 2.4	20
23-22B/S2BHC-C30/2A	3.2x1.25x1.1	<ul style="list-style-type: none"> ● Brilliant Orange ● Blue 	S2 : 605 BH : 470	S2 : 11.5 BH : 11.5	S2 : 28.5 BH : 28.5	S2 : 1.55 / 1.85 BH : 2.5 / 3.1	S2 : 2.25 BH : 3.5	5



UNIT : mm

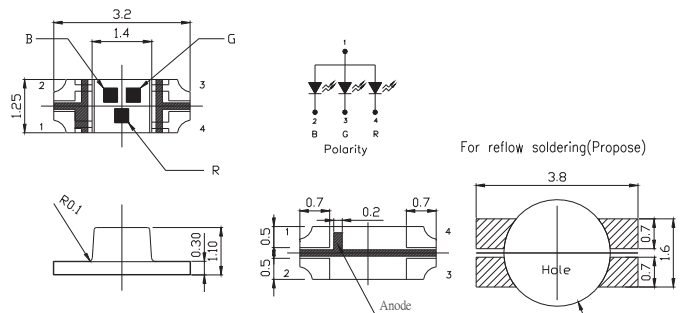


Product	Size (LxWxHmm)	Color	λ_d (nm)/CIE(x,y)	I_v Min./Typ. (mcd)	I_v Max. (mcd)	V_F Min./Typ. (V)	V_F Max. (V)	I_F (mA)
23-22C/S2BHC-B30/2A	3.2x1.25x1.1	<ul style="list-style-type: none"> ● Brilliant Orange ● Blue 	S2 : 605 BH : 470	S2 : 22.5 BH : 22.5	S2 : 57 BH : 57	S2 : 1.7 / 2 BH : 2.7 / 3.3	S2 : 2.4 BH : 3.7	10

SMD LED | Surface Mount Chip LED (PCB) | Reverse Mount Full color

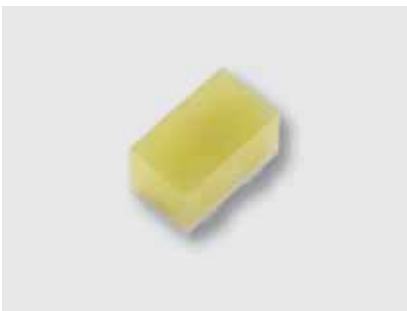


UNIT : mm

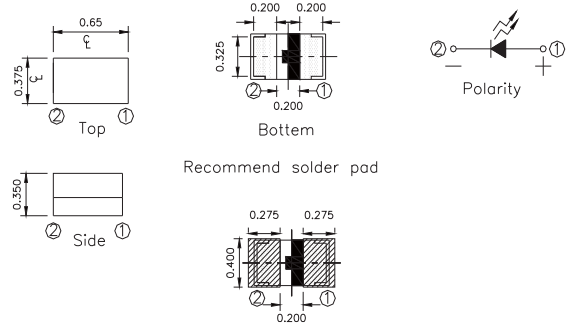


Product	Size (LxWxHmm)	Color	λ_d (nm)/CIE(x,y)	I_v Min./Typ. (mcd)	I_v Max. (mcd)	V_F Min./Typ. (V)	V_F Max. (V)	I_F (mA)
23-23B/R6GHBHC-A01/2A	3.2x1.25x1.1	<ul style="list-style-type: none"> ● Blue ● Brilliant Red ● Brilliant Green 	BH : 470 R6 : 624 GH : 525	BH : 45 / 65 R6 : 72 / 100 GH : 140 / 200	--	BH : 2.7 / 3.3 R6 : 1.7 / 2 GH : 2.7 / 3.3	BH : 3.7 R6 : 2.4 GH : 3.7	20

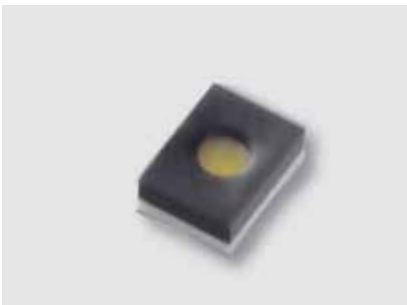
SMD LED | Surface Mount Chip LED (PCB) |



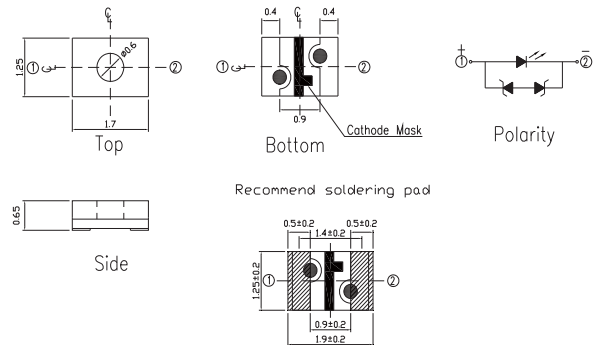
UNIT : mm



Product	Size (LxWxHmm)	Color	λ_d (nm)/CIE(x,y)	I_V Min./Typ. (mcd)	I_V Max. (mcd)	V_F Min./Typ. (V)	V_F Max. (V)	I_F (mA)
18-218/T1D-AN2Q1B3X/6T	0.65x0.375x0.35	○White	0.274,0.226	36	90	2.5	2.9	2



UNIT : mm

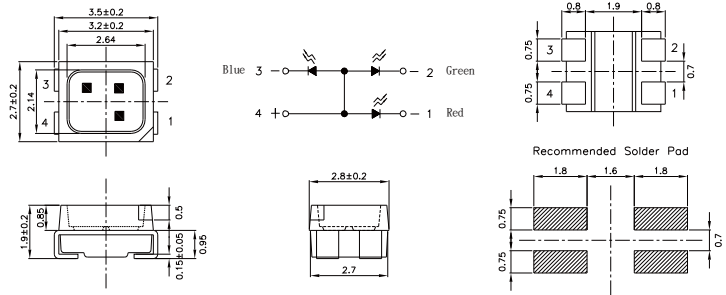


Product	Size (LxWxHmm)	Color	λ_d (nm)/CIE(x,y)	I_V Min./Typ. (mcd)	I_V Max. (mcd)	V_F Min./Typ. (V)	V_F Max. (V)	I_F (mA)
63-119-BHD-ZM1N2TY-3T	1.7x1.25x0.65	●Blue	470	18	45	2.6	3	5
63-119-T1D-AN2Q1TY-3T	1.7x1.25x0.65	○White	0.274,0.226	36	90	2.6	3	5

SMD LED | Surface Mount PLCC LEDs (Reflector) | Top View LED



UNIT : mm

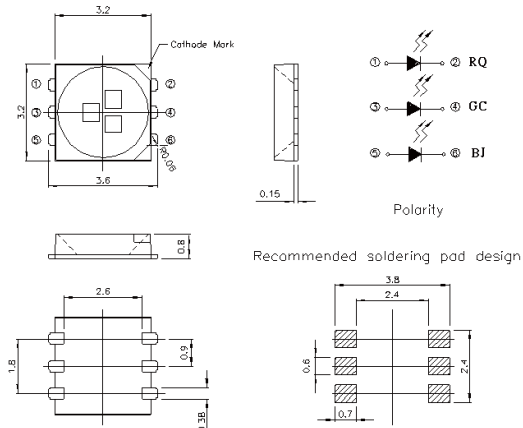


Product	Size (LxWxHmm)	Color	λ_d (nm)/ CIE(x,y)	I_v Min./Typ. (mcd)	I_v Max. (mcd)	V_F Min./Typ. (V)	V_F Max. (V)	I_F (mA)
67-23/R6GHBHC-B05/2T	3.5x2.8x1.9	R6: ● Brilliant Red GH: ● Brilliant Green BH: ● Blue	R6 : 621~631 GH : 520~530 BH : 465~475	R6 : 112 GH : 180 BH : 72	R6 : 285 GH : 715 BH : 285	R6 : 2.0 GH : 3.4 BH : 3.4	R6 : 2.4 GH : 3.95 BH : 3.95	20
67-23/T2C-EY2Z0/2T	3.5x2.8x1.9	○ White	x=0.264~0.33 y=0.248~0.36	3600	7200	2.9	3.6	20
67-23SDRSYGUBC/TR8	3.5x2.8x1.9	SDR: ● Deep Red SYG: ● Brilliant Yellow Green UB: ● Blue	SDR : 639 SYG : 573 UB : 470	SDR : 63 / 112 SYG : 13 / 20 UB : 11 / 18	--	SDR : 2.0 SYG : 2.0 UB : 3.5	SDR : 2.4 SYG : 2.4 UB : 4.0	20

SMD LED | Surface Mount PLCC LEDs (Reflector) | Top View LED



UNIT : mm

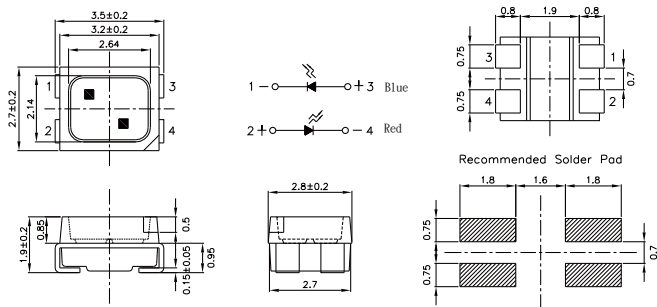


Product	Size (LxWxHmm)	Color	λ_d (nm)/CIE(x,y)	I_v Min./Typ. (mcd)	I_v Max. (mcd)	V_F Min./Typ. (V)	V_F Max. (V)	I_F (mA)
67-235-BJRQGCC-A01E-2T8-CS	3.2x3.2x0.8	● BQ:Super-Red ● GC:Brilliant Green ● BJ:Blue	BQ:617.5-629.5 GC:525-535 BJ:465-475	BQ:450 GC:1120 BJ:225	BQ:900 GC:1800 BJ:450	BQ:1.75 GC:2.75 BJ:2.75	BQ:2.75 GC:3.65 BJ:3.65	20

SMD LED | Surface Mount PLCC LEDs (Reflector) | Top View Bi-Color



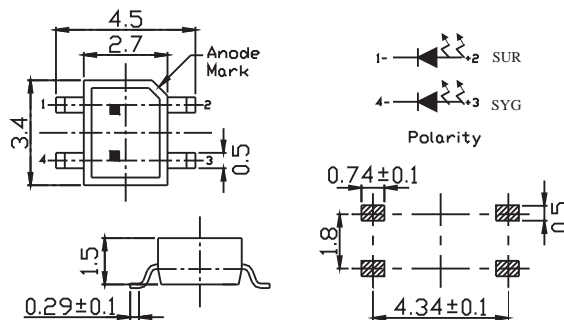
UNIT : mm



Product	Size (LxWxHmm)	Color	λ_d (nm)	I_v Min./Typ. (mcd)	I_v Max. (mcd)	V_F Min./Typ. (V)	V_F Max. (V)	I_F (mA)
67-22/G3G3C-B45/2T	3.5x2.8x1.9	G3: ● Pale Green G3: ● Pale Green	563.5~571.5	4.5 / 10	36	1.7 / 2.0	2.4	10
67-22/R6BHC-B07/2T	3.5x2.8x1.9	R6: ● Brilliant Red BH: ● Blue	R6 : 621~631 BH : 466.5~471.5	R6 : 90 BH : 90	R6 : 225 BH : 225	R6 : 1.75 BH : 2.9	R6 : 2.35 BH : 3.7	20
67-22/R6G6C-B09/2T	3.5x2.8x1.9	R6: ● Brilliant Red G6: ● Brilliant Yellow Green	R6 : 621~627 G6 : 570~574	R6 : 57 G6 : 36	R6 : 140 G6 : 90	R6 : 1.75 G6 : 1.75	R6 : 2.35 G6 : 2.35	20
67-22/R6Y2C-B31/2T	3.5x2.8x1.9	R6: ● Brilliant Red Y2: ● Brilliant Yellow	R6 : 621~631 Y2 : 586~594	72	285	1.75	2.35	20
67-22SURSYGC/S530-A2/TR8	3.5x2.8x1.9	SUR: ● Deep Red SYG: ● Brilliant Yellow Green	SUR : 624 SYG : 573	SUR : 24 / 59 SYG : 16 / 24	--	SUR : 1.7 / 2.0 SYG : 1.7 / 2.0	SUR : 2.4 SYG : 2.4	20
67-22UYSYGC/S530-A5/TR8	3.5x2.8x1.9	UY: ● Brilliant Yellow SYG: ● Brilliant Yellow Green	UY : 589 SYG : 573	UY : 80 / 120 SYG : 50 / 80	--	UY : 1.7/2.0 SYG : 1.7/2.0	UY : 2.4 SYG : 2.4	20



UNIT : mm

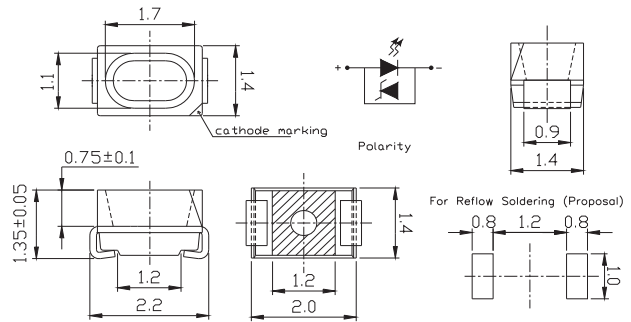


Product	Size (LxWxHmm)	Color	λ_d (nm)	I_v Min./Typ. (mcd)	I_v Max. (mcd)	V_F Min./Typ. (V)	V_F Max. (V)	I_F (mA)
93-22SURSYGC/S530-A3/TR8	3.4x2.7x1.5	SUR: ● Brilliant Red SYG: ● Brilliant Yellow Green	SUR : 624 SYG : 573	SUR : 17/41 SYG : 11/17	--	SUR : 2.0 SYG : 2.0	SUR : 2.4 SYG : 2.4	SUR : 20 SYG : 20

SMD LED | Surface Mount PLCC LEDs (Reflector) | Top View PLCC2



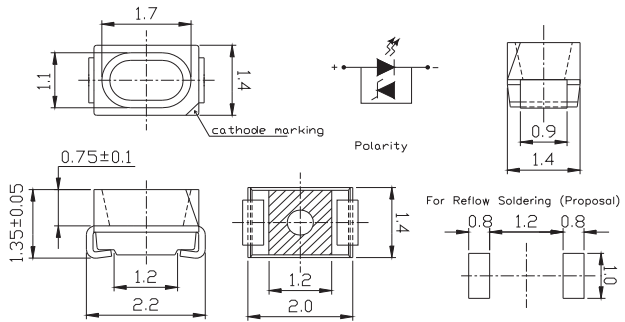
UNIT : mm



Product	Size (LxWxHmm)	Color	λ_d (nm)/CIE(x,y)	I_v Min./Typ. (mcd)	I_v Max. (mcd)	V_F Min./Typ. (V)	V_F Max. (V)	I_F (mA)
65-11/BHC-AR1S2B2/2T	2.2x1.4x1.35	● Blue	464.5~476.5	112	285	2.9	3.6	20
65-11/T2C-FV1W2E/2T	2.2x1.4x1.35	○ Pure White	x=0.283~0.33 y=0.294~0.36	715	1800	2.75	3.65	20



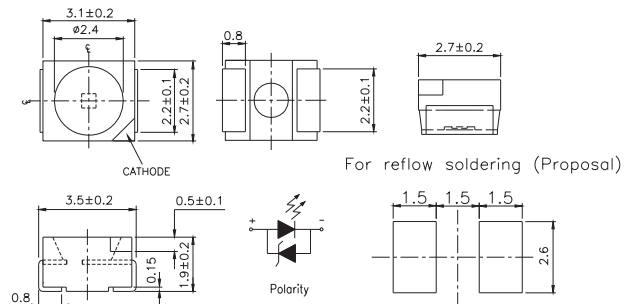
UNIT : mm



Product	Size (LxWxHmm)	Color	λ_d (nm)/CIE(x,y)	I_v Min./Typ. (mcd)	I_v Max. (mcd)	V_F Min./Typ. (V)	V_F Max. (V)	I_F (mA)
65-21/G6C-AN2Q1/3T	2.2x1.4x1.35	● Brilliant Yellow Green	569.5~577.5	36	90	1.75	2.35	20
65-21/Y2C-CJ2L2X/3T	2.2x1.4x1.35	● Brilliant Yellow	586~592	5.8	18	2	2.4	2
65-21/Y2SC-AR1S2B/2T	2.2x1.4x1.35	● Brilliant Yellow	585.5~594.5	112	285	1.75	2.35	20
65-21/Y2SC-FR2S1B/2T	2.2x1.4x1.35	● Brilliant Yellow	586~594	140	225	1.75	2.35	20



UNIT : mm

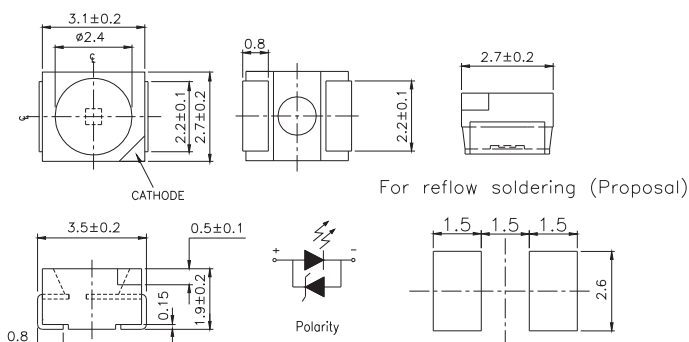


Product	Size (LxWxHmm)	Color	λ_d (nm)/CIE(x,y)	I_v Min./Typ. (mcd)	I_v Max. (mcd)	V_F Min./Typ. (V)	V_F Max. (V)	I_F (mA)
67-11/BHC-FQ2S1F/2T	3.5x2.7x1.9	● Blue	464~472	90	285	2.7	3.5	20
67-11/GHC-AT2V1/2T	3.5x2.7x1.9	● Brilliant Green	517.5~535.5	360	900	2.7	3.7	20
67-11/W1C-ES1T2N/2T	3.5x2.7x1.9	● Warm White	x=0.264~0.330 y=0.248~0.360	180	450	2.7	3.7	20
67-11/W1C-FV1W2F/2T	3.5x2.7x1.9	○ White	x=0.283~0.330 y=0.276~0.360	715	1800	2.7	3.5	20

SMD LED | Surface Mount PLCC LEDs (Reflector) | Top View PLCC2



UNIT : mm



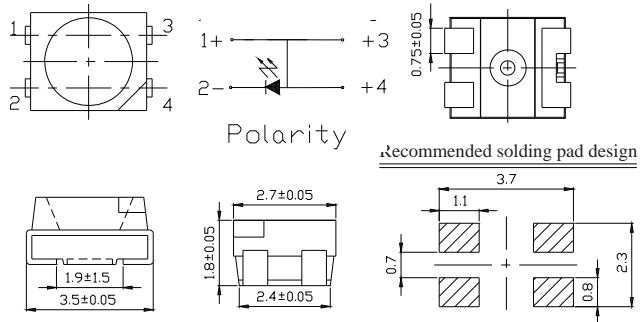
For reflow soldering (Proposal)

Product	Size (LxWxHmm)	Color	λ_d (nm)/CIE(x,y)	I_V Min./Typ. (mcd)	I_V Max. (mcd)	V_F Min./Typ. (V)	V_F Max. (V)	I_F (mA)
67-21/B3C-BN1Q2N/2T	3.5x2.7x1.9	Blue	464.5~473.5	28.5	112	2.7	3.7	20
67-21/B7C-AS2U1N/2T	3.5x2.7x1.9	Blue	464.5~476.5	225	565	2.7	3.7	20
67-21/G4C-BQ1T2N/2T	3.5x2.7x1.9	Brilliant Green	523.5~535.5	72	450	2.7	3.7	20
67-21/GBC-YV2W2N/2T	3.5x2.7x1.9	Brilliant Green	520~535	900	1800	2.7	3.7	20
67-21/GHC-AS2U1B17Z/2T	3.5x2.7x1.9	Brilliant Green	517.5~535.5	225	565	2.5	3.5	10
67-21/GHC-BV1/2T	3.5x2.7x1.9	Brilliant Green	523.5~533.5	715	900	2.7	4.3	20
67-21/R6C-AP2R1B/2T	3.5x2.7x1.9	Brilliant Red	617.5~633.5	57	140	1.75	2.35	20
67-21/R6C-FN2Q1BZ/2T	3.5x2.7x1.9	Brilliant Red	621~631	36	90	1.75	2.35	10
67-21/R6C-FR2T1B/2T	3.5x2.7x1.9	Brilliant Red	621~631	140	360	1.75	2.35	20
67-21/R6C-FS1U1B/2T	3.5x2.7x1.9	Brilliant Red	621~631	180	565	1.75	2.35	20
67-21/RSC-FT2V1B/2T	3.5x2.7x1.9	Brilliant Red	621~631	360	900	1.75	2.35	20
67-21/S2C-FQ2R2B/2T	3.5x2.7x1.9	Brilliant Orange	603~609	90	180	1.75 / 2	2.35	20
67-21/S3C-AS1T1/2T	3.5x2.7x1.9	Reddish Orange	605.5~621.5	180	360	2	2.4	20
67-21/T2C-YV2W2B22/2A0	3.5x2.7x1.9	White	x=0.3070~0.3300 y=0.2940~0.3390	900	1800	3	3.6	20
67-21/T2C-ZV1W2E/2T	3.5x2.7x1.9	White	x=0.2498~0.296 y=0.2185~0.2950	715	1800	2.75	3.65	20
67-21/T3C-EU1V2M/2A0	3.5x2.7x1.9	White	x=0.2640~0.3300 y=0.2480~0.3600	450	1120	2.75	3.95	20
67-21/Y2C-AS1T1/2T	3.5x2.7x1.9	Brilliant Yellow	585.5~594.5	180	360	2	2.4	20
67-21/Y2C-BR2T1B/2T	3.5x2.7x1.9	Brilliant Yellow	588.5~594.5	140	360	1.75	2.35	20
67-21/YSC-FU1U2B/2T	3.5x2.7x1.9	Brilliant Yellow	586~594	450	715	1.75	2.35	20
67-21/YSC-FU1V2B/2T	3.5x2.7x1.9	Brilliant Yellow	586~594	450	1120	1.75	2.35	20

SMD LED | Surface Mount PLCC LEDs (Reflector) | Top View PLCC3



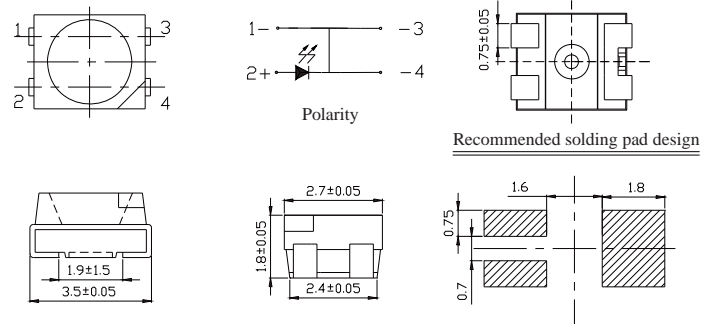
UNIT : mm



Product	Size (LxWxHmm)	Color	λ_d (nm)/CIE(x,y)	I_v Min./Typ. (mcd)	I_v Max. (mcd)	V_F Min./Typ. (V)	V_F Max. (V)	I_F (mA)
67-31A/B7C-AT1U2MZ3/2T	3.5x2.7x1.8	Blue	464.5~476.5	285	715	2.75	3.95	30
67-31A/GHC-YV1W2EZ3/2T	3.5x2.7x1.8	Green	520~535	715	1800	2.75	3.65	30
67-31A/SAC-AW1X2B9Z5/2T	3.5x2.7x1.8	Reddish Orange	605.5~625.5	1120	2850	1.95	2.75	50



UNIT : mm

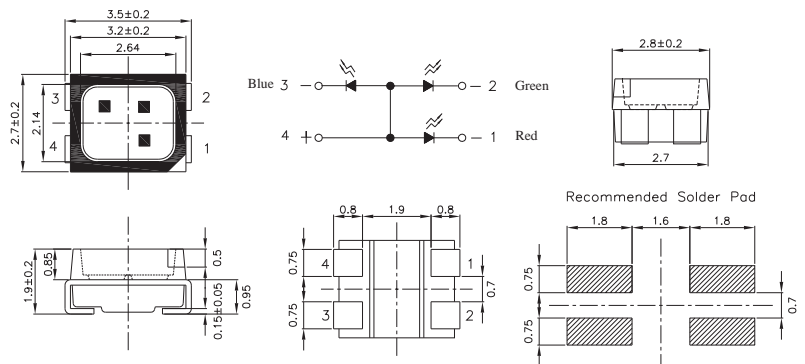


Product	Size (LxWxHmm)	Color	λ_d (nm)/CIE(x,y)	I_v Min./Typ. (mcd)	I_v Max. (mcd)	V_F Min./Typ. (V)	V_F Max. (V)	I_F (mA)
67-31E/RSC-AV1W2B9Z5/2T	3.5x2.7x1.8	Brilliant Red	617.5~633.5	715	1800	2.15	2.75	50

SMD LED | Surface Mount PLCC LEDs (Reflector) | Top View PLCC4



UNIT : mm

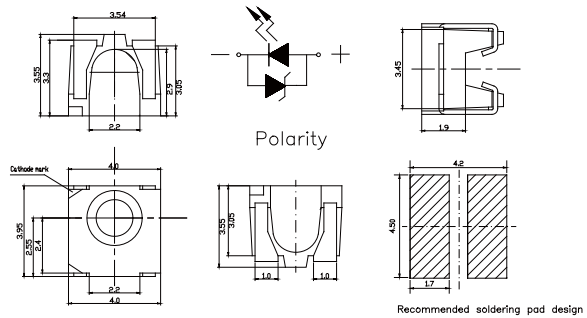


Product	Size (LxWxHmm)	Color	λ_d (nm)/CIE(x,y)	I_v Min./Typ. (mcd)	I_v Max. (mcd)	V_F Min./Typ. (V)	V_F Max. (V)	I_F (mA)
67-03/BHGHR6W-B11/2T	3.5x2.7x1.9	RS: Brilliant Red GH: Brilliant Green BH: Blue	R6: 619~628 GH: 525~532.5 BH: 465~472.5	R6: 180 GH: 450 BH: 180	R6: 360 GH: 900 BH: 360	R6: 1.75 GH: 2.9 BH: 2.9	R6: 2.35 GH: 3.5 BH: 3.5	20
67-03/RSGHBHC-B06/1T	3.5x2.7x1.9	RS: Brilliant Red GH: Brilliant Green BH: Blue	RS: 617~627 GH: 520~530 BH: 465~470	RS: 450 GH: 900 BH: 226	RS: 715 GH: 1420 BH: 450	RS: 2.0 GH: 3.5 BH: 3.5	RS: 2.4 GH: 4.0 BH: 4.0	20

SMD LED | Surface Mount PLCC LEDs (Reflector) | Side View LED



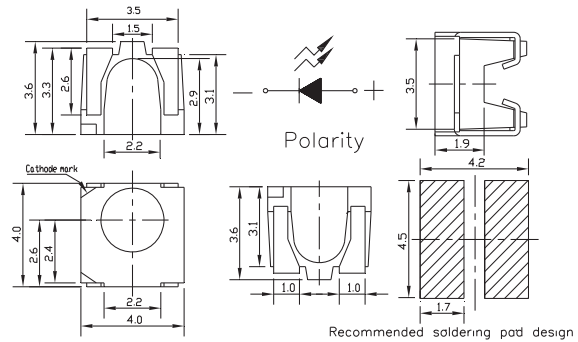
UNIT : mm



Product	Size (LxWxHmm)	Color	λ_d (nm)/CIE(x,y)	I_V Min./Typ. (mcd)	I_V Max. (mcd)	V_F Min./Typ. (V)	V_F Max. (V)
57-11UTC/S827-1/TR8	4.0x4.0x3.6	○ White	x=0.3070~0.3520 y=0.2840~0.3710	900	1800	2.75	3.95



UNIT : mm

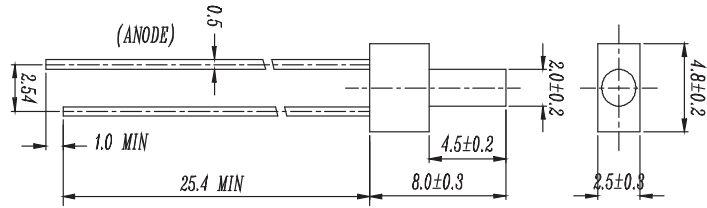


Product	Size (LxWxHmm)	Color	λ_d (nm)/CIE(x,y)	I_V Min./Typ. (mcd)	I_V Max. (mcd)	V_F Min./Typ. (V)	V_F Max. (V)	I_F (mA)
57-21/R6C-AP1Q2B/BF	4.0x4.0x3.6	● Brilliant Red	617.5~633.5	45	112	1.75	2.35	20
57-21SYGC/S530-E3/TR8	4.0x4.0x3.6	● Brilliant Yellow Green	573	32/51	--	1.7 / 2.0	2.4	20

LED Lamps | 2mm Tower Type



UNIT : mm

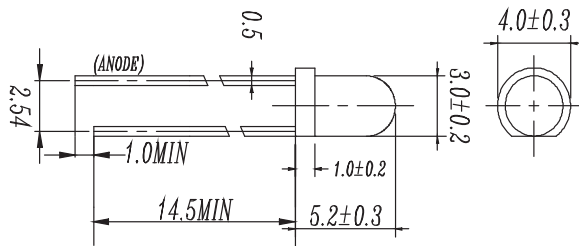


Product	Size (mm)	Color	Lens Type	λ_d (nm) / CIE(x,y)	Resin Color	I_v (Min/Typ) (mcd)	V_F (Typ/Max) (V)	Viewing Angle (°)
103SUBD/S400-A4	2	Blue	Tower	470	Blue Diffused	40 / 80	3.4 / 4.0	100
103SURD/S530-A3	2	Brilliant Red	Tower	624	Red Diffused	25 / 40	2.0 / 2.4	130
103SYGD/S530-E2	2	Brilliant Yellow Green	Tower	573	Green Diffused	6.3 / 12.5	2.0 / 2.4	130
103UYD/S530-A3	3	Brilliant Yellow	Tower	589	Yellow Diffused	25 / 50	2.0 / 2.4	130

LED Lamps | 3mm Round Type



UNIT : mm

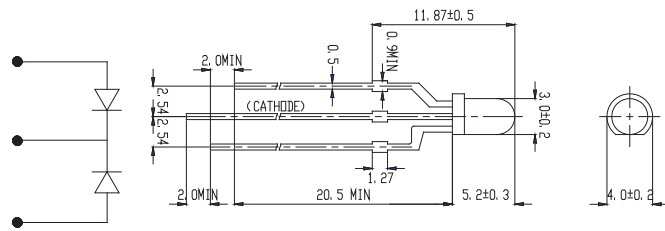


Product	Size (mm)	Color	Lens Type	λ_d (nm) / CIE(x,y)	Resin Color	I_v (Min/Typ) (mcd)	V_F (Typ/Max) (V)	Viewing Angle (°)
204-10SDRD/S530-A3	3	Deep Red	Round	639	Red Diffused	40 / 80	2.0 / 2.4	50
204-10SUBC/S400-A4	3	Blue	Round	470	Water Clear	400 / 800	3.4 / 4.0	20
204-10SUGC/S400-A5	3	Brilliant Green	Round	525	Water Clear	1600 / 3200	3.2 / 3.7	30
204-10SURD/S530-A3	3	Brilliant Red	Round	624	Red Diffused	40 / 80	2.0 / 2.4	45
204-10SYGD/S530-E3	3	Brilliant Yellow Green	Round	573	Green Diffused	63 / 100	2.0 / 2.4	45
204-10UYD/S530-A3	3	Brilliant Yellow	Round	589	Yellow Diffused	100 / 200	2.0 / 2.4	60
204-10UYOC/S530-A3	3	Brilliant Orange	Round	605	Water Clear	320 / 500	2.0 / 2.4	30

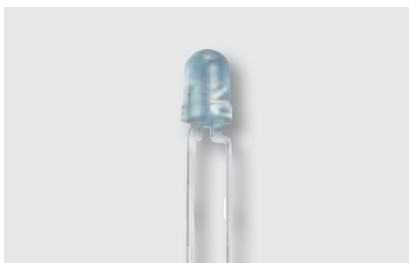
LED Lamps | 3mm Round Type



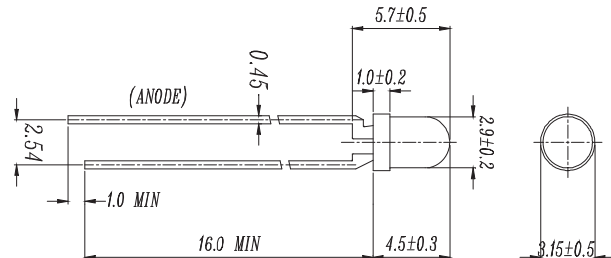
UNIT : mm



Product	Size (mm)	Color	Lens Type	λ_d (nm) / CIE(x,y)	Resin Color	I_v (Min/Typ) (mcd)	V_F (Typ/Max) (V)	Viewing Angle (°)
209SDRSYGW/S530-A3	3	● Deep Red ● Brilliant Yellow Green	Round	639 / 573	White Diffused	25 / 50 16 / 32	2.0 / 2.4 2.0 / 2.4	80
209SURSYGW/S530-A3	3	● Brilliant Red ● Brilliant Yellow Green	Round	624 / 573	White Diffused	40 / 80 20 / 40	2.0 / 2.4 2.0 / 2.4	80
209UYOSUGC/S530-A3	3	● Brilliant Orange ● Brilliant Green	Round	605 / 525	Water Clear	100 / 200 160 / 320	2.0 / 2.4 3.3 / 3.7	50



UNIT : mm

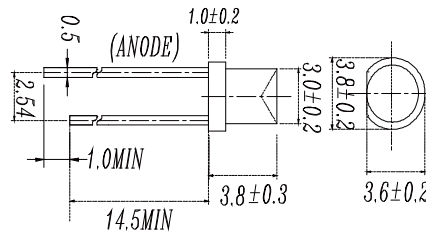


Product	Size (mm)	Color	Lens Type	λ_d (nm) / CIE(x,y)	Resin Color	I_v (Min/Typ) (mcd)	V_F (Typ/Max) (V)	Viewing Angle (°)
264-7SDRC/S530-A3	2.9	● Deep Red	Round	639	Water Clear	40 / 100	2.0 / 2.4	40
264-7SUBC/S400-X9	2.9	● Blue	Round	470	Water Clear	400 / 800	3.3 / 3.7	30
264-7UYOC/S530-A3	2.9	● Brilliant Orange	Round	605	Water Clear	110 / 200	2.0 / 2.4	40
264-7SUGC/S400-A5	2.9	● Brilliant Green	Round	525	Water Clear	1000 / 2000	3.3 / 3.7	30
264-7SURC/S400-A8	2.9	● Brilliant Red	Round	624	Water Clear	400 / 800	2.0 / 2.4	40
264-7SYGC/S530-E3	2.9	● Brilliant Yellow Green	Round	573	Water Clear	100 / 320	2.0 / 2.4	35
264-7UYC/S400-A9	2.9	● Brilliant Yellow	Round	589	Water Clear	400 / 800	2.0 / 2.4	40

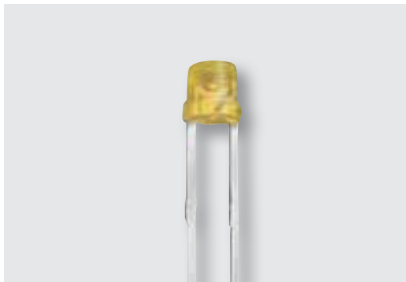
LED Lamps | 3mm Round Type



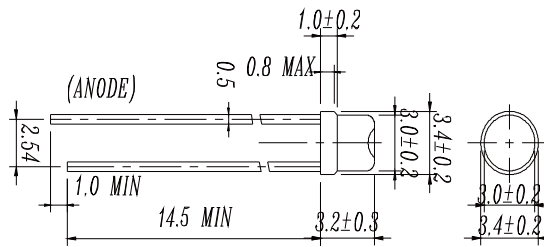
UNIT : mm



Product	Size (mm)	Color	Lens Type	λ_d (nm) / CIE(x,y)	Resin Color	I_V (Min/Typ) (mcd)	V_F (Typ/Max) (V)	Viewing Angle (°)
484-10SURT/S530-A3	3	● Brilliant Red	Round	624	Red Trans	10 / 20	2.0 / 2.4	130
484-10UYT/S530-A3	3	● Brilliant Yellow	Round	589	Yellow Trans	16 / 32	2.0 / 2.4	110
484-10SUBT/S400-A5	3	● Blue	Round	470	Blue Trans	16 / 32	3.3 / 3.7	110
484-10SYGT/S530-E2	3	● Brilliant Yellow Green	Round	573	Green Trans	6.3 / 12.5	2.0 / 2.4	80
484-10UYOC/S530-A3	3	● Brilliant Orange	Round	605	Water Clear	40 / 80	2.0 / 2.4	160
484-10SDRC/S530-A3	3	● Deep Red	Round	639	Water Clear	6.3 / 12.5	2.0 / 2.4	110



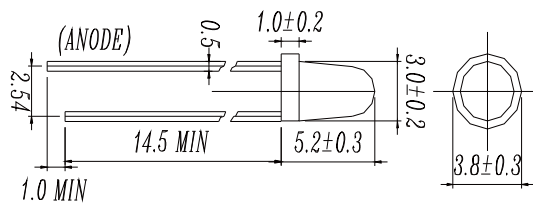
UNIT : mm



Product	Size (mm)	Color	Lens Type	λ_d (nm)/CIE(x,y)	Resin Color	I_V (Min/Typ) (mcd)	V_F (Typ/Max) (V)	Viewing Angle (°)
494-10SURT/S530-A3	3	● Brilliant Red	Round	624	Red Trans	16 / 32	2.0 / 2.4	100
494-10SYGT/S530-E2	3	● Brilliant Yellow Green	Round	573	Green Trans	10 / 20	2.0 / 2.4	100
494-10UYT/S530-A3	3	● Brilliant Yellow	Round	589	Yellow Trans	25 / 50	2.0 / 2.4	100
494-10UYOC/S530-A3	3	● Brilliant Orange	Round	605	Water Clear	40 / 80	2.0 / 2.4	110
494-10SUBC/S400-X9-L	3	● Blue	Round	470	Water Clear	25 / 50	2.0 / 2.4	100



UNIT : mm

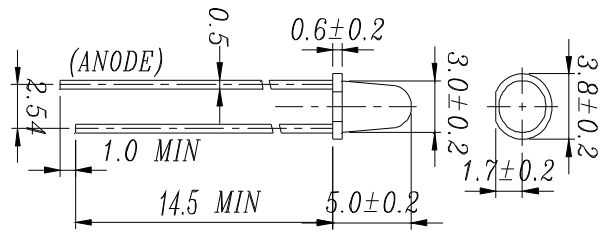


Product	Size (mm)	Color	Lens Type	λ_d (nm)/CIE(x,y)	Resin Color	I_V (Min/Typ) (mcd)	V_F (Typ/Max) (V)	Viewing Angle (°)
1224SYGC/S530-E2	3	● Brilliant Yellow Green	Round	573	Water Clear	63 / 100	2.0 / 2.4	25
1224USOC/S530-A3	3	● Reddish Orange	Round	615	Water Clear	188 / 295	2.0 / 2.4	25
1224UTC/S400-A6	3	○ White	Round	x=0.29, y=0.28	Water Clear	715 / 1800	3.2 / 3.6	25
1224SURC/S530-A3	3	● Brilliant Red	Round	624	Water Clear	160 / 400	2.0 / 2.4	20
1224UYC/S530-A3	3	● Brilliant Yellow	Round	589	Water Clear	160 / 320	2.0 / 2.4	25
1224SDRC/S530-A3	3	● Deep Red	Round	639	Water Clear	110 / 150	2.0 / 2.4	25
1224SUGC/S400-A5	3	● Brilliant Green	Round	525	Water Clear	1600 / 2000	3.3 / 3.7	30

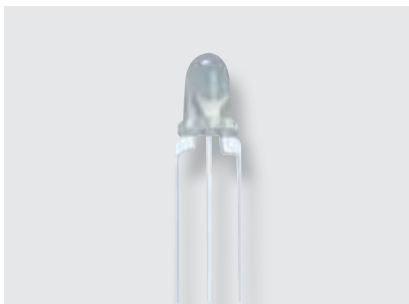
LED Lamps | 3mm Round Type



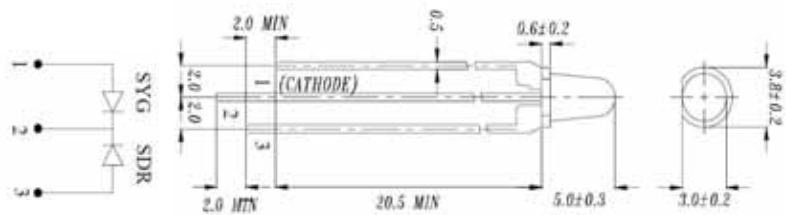
UNIT : mm



Product	Size (mm)	Color	Lens Type	λ_d (nm) / CIE(x,y)	Resin Color	I_V (Min/Typ) (mcd)	V_F (Typ/Max) (V)	Viewing Angle (°)
1254-10SDRT/S530-A3	3	● Deep Red	Round	639	Red Trans	160/320	2.0 / 2.4	30
1254-10SURT/S530-A3	3	● Brilliant Red	Round	624	Red Trans	160 / 320	2.0 / 2.4	30
1254-10SYGT/S530-E2	3	● Brilliant Yellow Green	Round	573	Green Trans	160 / 320	2.0 / 2.4	30
1254-10UYD/S530-A3	3	● Brilliant Yellow	Round	589	Yellow Diffused	100 / 200	2.0 / 2.4	30
1254-10SUGC/S400-A5	3	● Brilliant Green	Round	525	Water Clear	1000 / 2000	3.3 / 3.7	20
1254-10UYOT/S530-A3	3	● Brilliant Orange	Round	605	Yellow OrangeTrans	250 / 500	2.0 / 2.4	30



UNIT : mm

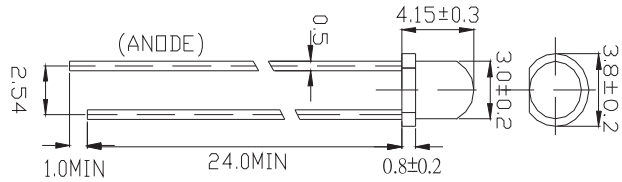


Product	Size (mm)	Color	Lens Type	λ_d (nm)/CIE(x,y)	Resin Color	I_V (Min/Typ) (mcd)	V_F (Typ/Max) (V)	Viewing Angle (°)
1259-7SDRSYGW/S530-A3	3	● Deep Red ● Brilliant Yellow Green	Round	639 / 573	White Diffused	16 / 32 25 / 50	2.0 / 2.4 2.0 / 2.4	50
1259-7SURSYPGW/S530-A3	3	● Brilliant Red ● Brilliant Yellow Green	Round	624 / 573	White Diffused	40 / 80 16 / 32	2.0 / 2.4 2.0 / 2.4	60
1259-7UYSYPGW/S530-A3	3	● Brilliant Yellow ● Brilliant Yellow Green	Round	589 / 573	White Diffused	63 / 125 40 / 80	2.0 / 2.4 2.0 / 2.4	40
1259-7UYOSYPGW/S530-A3	3	● Brilliant Orange ● Brilliant Yellow Green	Round	605/573	White Diffused	63 / 125 25 / 50	2.0 / 2.4 2.0 / 2.4	60

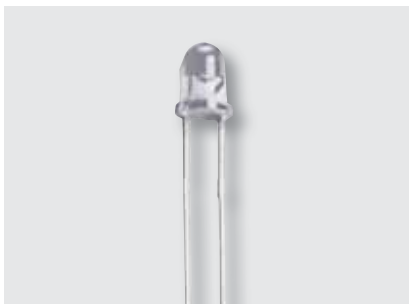
LED Lamps | 3mm Round Type



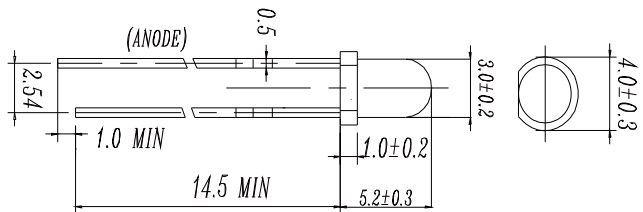
UNIT : mm



Product	Size (mm)	Color	Lens Type	λ_d (nm)/CIE(x,y)	Resin Color	I_V (Min/Typ) (mcd)	V_F (Typ/Max) (V)	Viewing Angle (°)
3294-15SUBC/S400-A6	3	Blue	Round	470	Water Clear	160 / 320	3.4 / 4.0	90
3294-15SUGC/S400-A6	3	Brilliant Green	Round	525	Water Clear	500 / 1250	3.4 / 4.0	45
3294-15SURC/S400-A7	3	Brilliant Red	Round	624	Water Clear	100 / 200	2.0 / 2.4	90
3294-15UBGC/S400-A6	3	Bluish Green	Round	505	Water Clear	400 / 800	3.5 / 4.3	90
3294-15UYC/S530-A5	3	Brilliant Yellow	Round	589	Water Clear	100/200	2.0/2.4	70
3294-15SYGC/S530-E2	3	Brilliant Yellow Green	Round	573	Water Clear	16/32	2.0/2.4	70



UNIT : mm

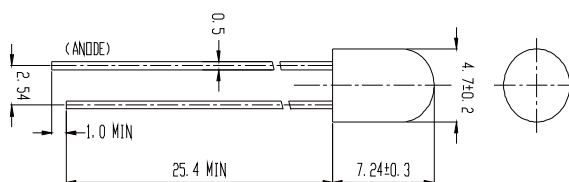


Product	Size (mm)	Color	Lens Type	λ_d (nm)/CIE(x,y)	Resin Color	I_V (Min/Typ) (mcd)	V_F (Typ/Max) (V)	Viewing Angle (°)
4204-10SYGC/S530-E4	3	Brilliant Yellow Green	Round	573	Water Clear	250 / 500	2.0 / 2.4	20
4204-10SURC/S530-A3	3	Brilliant Red	Round	624	Water Clear	320 / 500	2.0 / 2.4	25
4204-10SDRC/S530-A3	3	Deep Red	Round	639	Water Clear	160 / 320	2.0 / 2.4	30
4204-10UYC/S530-A3	3	Brilliant Yellow	Round	589	Water Clear	250 / 500	2.0 / 2.4	30
4204-10UYOC/S530-A3	3	Brilliant Orange	Round	605	Water Clear	250 / 500	2.0 / 2.4	20
4204-10USOC/S530-A3	3	Reddish Orange	Round	615	Water Clear	160 / 320	2.0 / 2.4	20
4204-10SUBC/S400-X9	3	Blue	Round	470	Water Clear	630 / 1250	3.3 / 3.7	25
4204-10SUGC/S400-A5	3	Brilliant Green	Round	525	Water Clear	2500 / 5000	3.3 / 3.7	20

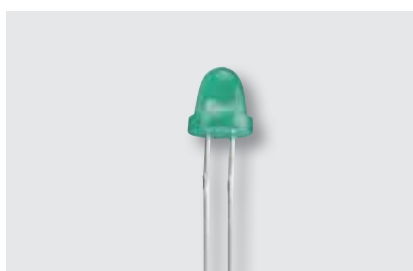
LED Lamps | 5mm Round Type



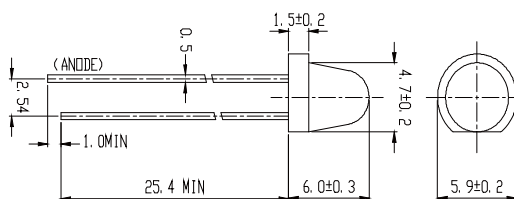
UNIT : mm



Product	Size (mm)	Color	Lens Type	λ_d (nm)/ CIE(x,y)	Resin Color	I_V (Min/Typ) (mcd)	V_F (Typ/Max) (V)	Viewing Angle (°)
313-2SYGC/S530-E2	4.7	● Brilliant Yellow Green	Round	573	Water Clear	250 / 500	2.0 / 2.4	20
313-2UYD/S530-A3	4.7	● Brilliant Yellow	Round	589	Yellow Diffused	100 / 200	2.0 / 2.4	50
313-2SURC/S530-A3	4.7	● Brilliant Red	Round	624	Water Clear	383 / 574	2.0 / 2.4	20
313-2UYOC/S530-A3	4.7	● Brilliant Orange	Round	605	Water Clear	410 / 720	2.0 / 2.4	20
313-2USOC/S400-A3	4.7	● Reddish Orange	Round	615	Water Clear	460 / 723	2.0 / 2.4	20
313-2SUBC/C470/S400-A5	4.7	● Blue	Round	470	Water Clear	1000 / 2000	3.3 / 3.7	20



UNIT : mm

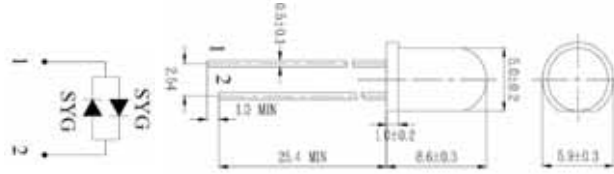


Product	Size (mm)	Color	Lens Type	λ_d (nm)/ CIE(x,y)	Resin Color	I_V (Min/Typ) (mcd)	V_F (Typ/Max) (V)	Viewing Angle (°)
323-2SURD/S530-A3	4.7	● Brilliant Red	Round	624	Red Diffused	63 / 100	2.0 / 2.4	40
323-2SYGD/S530-E2	4.7	● Brilliant Yellow Green	Round	573	Green Diffused	40 / 80	2.0 / 2.4	60
323-2SUBC/S400-X9	4.7	● Blue	Round	470	Water Clear	1000 / 2000	3.3 / 3.7	40
323-2SDRD/S530-A3	4.7	● Deep Red	Round	639	Red Diffused	25 / 50	2.0 / 2.4	60
323-2UYD/S530-A3	4.7	● Brilliant Yellow	Round	589	Yellow Diffused	100 / 200	2.0 / 2.4	50
323-2SUGC/S400-X4	4.7	● Brilliant Green	Round	525	Water Clear	2500 / 4500	3.3 / 3.7	25

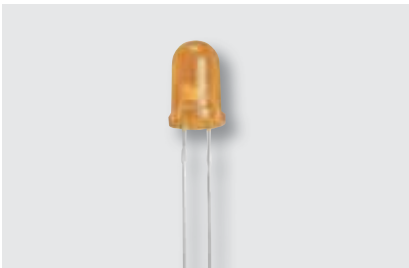
LED Lamps | 5mm Round Type



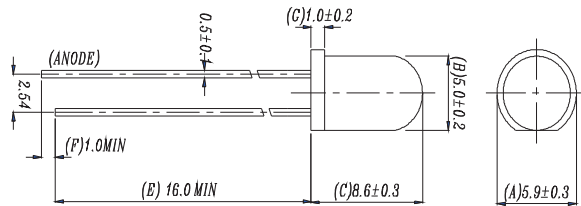
UNIT : mm



Product	Size (mm)	Color	Lens Type	λ_d (nm)/ CIE(x,y)	Resin Color	I_v (Min/Typ) (mcd)	V_F (Typ/Max) (V)	Viewing Angle (°)
336SURSYGW/S530-A3	5	● Brilliant Red ● Brilliant Yellow Green	Round	624 / 573	White Diffused	16 / 32 16 / 32	2.0 / 2.4 2.0 / 2.4	90
336SYGSYGD/S530-E2	5	● Brilliant Yellow Green	Round	573 / 573	Green Diffused	8 / 16	2.0 / 2.4	90
336UYSYGW/S530-A3	5	● Brilliant Yellow ● Brilliant Yellow Green	Round	589/573	White Diffused	40 / 80 16 / 32	2.0 / 2.4 2.0 / 2.4	80

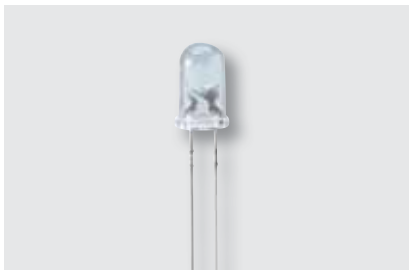


UNIT : mm

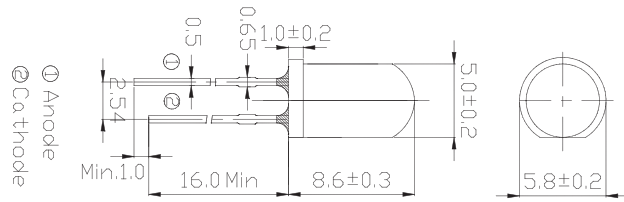


Product	Size (mm)	Color	Lens Type	λ_d (nm)/ CIE(x,y)	Resin Color	I_v (Min/Typ) (mcd)	V_F (Typ/Max) (V)	Viewing Angle (°)
333-2SDRC/S530-A4	5	● Deep Red	Round	639	Water Clear	400 / 1000	2.0 / 2.4	10
333-2SUBC/C470/S400-A6	5	● Blue	Round	470	Water Clear	1000 / 2000	3.4 / 4.0	10
333-2SUGC/S400-A5	5	● Brilliant Green	Round	525	Water Clear	4000 / 8000	3.4 / 4.0	15
333-2SURC/S400-A8	5	● Brilliant Red	Round	624	Water Clear	3200 / 5000	2.0 / 2.4	10
333-2SYGC/S530-E2	5	● Brilliant Yellow Green	Round	573	Water Clear	400 / 800	2.0 / 2.4	10
333-2UTC/S400-A6	5	○ White	Round	x=0.29, y=0.30	Water Clear	3600 / 9000	3.2 / 3.6	15
333-2UYC/S400-A4	5	● Brilliant Yellow	Round	589	Water Clear	1432 / 2148	2.0 / 2.4	10
333-2UYC/S530-A3	5	● Brilliant Yellow	Round	589	Water Clear	630 / 1600	2.0 / 2.4	10
333-2UYOC/S530-A3	5	● Brilliant Orange	Round	605	Water Clear	980 / 1710	2.0 / 2.4	10

LED Lamps | 5mm Round Type



UNIT : mm

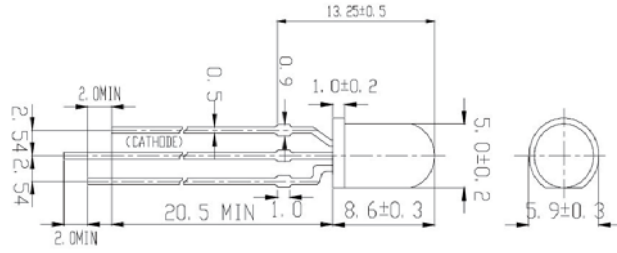


Product	Size (mm)	Color	Lens Type	λ_d (nm)/CIE(x,y)	Resin Color	I_v (Min/Typ) (mcd)	V_F (Typ/Max) (V)	Viewing Angle (°)
334-15/F1C1-1XZA	5	○ White	Round	x=0.29, y=0.28	Water Clear	18000 / 36000	3.2 / 3.6	15
334-15/T1C1-4WYA	5	○ White	Round	x=0.30, y=0.29	Water Clear	14250 / 28500	3.2 / 3.6	15
334-15/T2C1-1UWA	5	○ White	Round	x=0.29, y=0.28	Water Clear	9000 / 18000	3.2 / 3.6	15
334-15/F1C2-7VXA	5	○ White	Round	x=0.30, y=0.29	Water Clear	11250 / 22500	3.2 / 3.6	20
334-15/T2C2-1TWB	5	○ White	Round	x=0.29, y=0.28	Water Clear	7150 / 18000	3.2 / 3.6	20
334-15/T1C3-4SUC	5	○ White	Round	x=0.30, y=0.29	Water Clear	5650 / 11250	3.2 / 3.6	30
334-15/T2C3-6RTB	5	○ White	Round	x=0.33, y=0.24	Water Clear	4500 / 9000	3.2 / 3.6	30
334-15/F1C5-1RTA	5	○ White	Round	x=0.29, y=0.28	Water Clear	4500 / 9000	3.2 / 3.6	50
334-15/T1C5-7QSA	5	○ White	Round	x=0.30, y=0.29	Water Clear	3600 / 7150	3.2 / 3.6	50
334-15/T2C5-2PSB	5	○ White	Round	x=0.26, y=0.27	Water Clear	2850 / 7150	3.2 / 3.6	50
334-15/X2C1-1UWB	5	● Warm White	Round	x=0.40, y=0.39	Water Clear	9000 / 18000	3.2 / 3.6	15
334-15/X1C2-1UWA	5	● Warm White	Round	x=0.40, y=0.39	Water Clear	9000 / 18000	3.2 / 3.6	20
334-15/X2C3-1QTA	5	● Warm White	Round	x=0.40, y=0.39	Water Clear	3600 / 9000	3.2 / 3.6	30
334-15/X1C5-1QSA	5	● Warm White	Round	x=0.40, y=0.39	Water Clear	3500 / 7150	3.2 / 3.6	50
334-15/X2C5-1PSB	5	● Warm White	Round	x=0.40, y=0.39	Water Clear	2850 / 7150	3.2 / 3.6	50

LED Lamps | 5mm Round Type



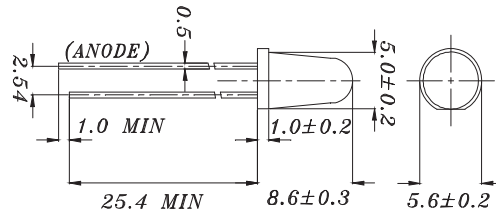
UNIT : mm



Product	Size (mm)	Color	Lens Type	λ_d (nm)/CIE(x,y)	Resin Color	I_v (Min/Typ) (mcd)	V_F (Typ/Max) (V)	Viewing Angle (°)
339-1SURSYGW/S530-A3	5	● Brilliant Red ● Brilliant Yellow Green	Round	624 / 573	White Diffused	40 / 80 25 / 50	2.0 / 2.4 2.0 / 2.4	70
339-1UYSYGW/S530-A3	5	● Brilliant Yellow ● Brilliant Yellow Green	Round	589 / 573	White Diffused	63 / 100 32 / 50	2.0 / 2.4 2.0 / 2.4	70
339-1UYUBW/S530-A4	5	● Brilliant Yellow ● Blue	Round	589 / 470	White Diffused	25 / 50 16 / 32	2.0 / 2.4 3.5 / 4.3	100
339-1SDRSYGC/S530-A3	5	● Deep Red ● Brilliant Yellow Green	Round	639/573	Water clear	160 / 320 160 / 620	2.0 / 2.4 2.0 / 2.4	30

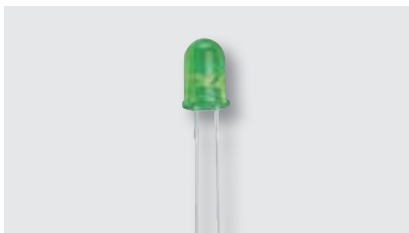


UNIT : mm

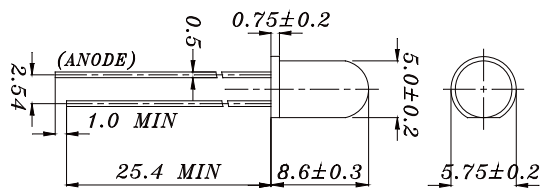


Product	Size (mm)	Color	Lens Type	λ_d (nm)/CIE(x,y)	Resin Color	I_v (Min/Typ) (mcd)	V_F (Typ/Max) (V)	Viewing Angle (°)
383-2SDRC/S530-A3	5	● Deep Red	Round	639	Water Clear	1000 / 2000	2.0 / 2.4	6
383-2SUGC/S400-A4	5	● Brilliant Green	Round	525	Water Clear	2500 / 4500	3.3 / 3.7	25
383-2SUBC/C470/S400-A6	5	● Blue	Round	470	Water Clear	1600 / 3200	3.4 / 4.0	20
383-2SURC/S530-A3	5	● Brilliant Red	Round	624	Water Clear	1000 / 2500	2.0 / 2.4	6
383-2SYGC/S530-E2	5	● Brilliant Yellow Green	Round	573	Water Clear	160 / 320	2.0 / 2.4	10
383-2USOC/S530-A6	5	● Reddish Orange	Round	615	Water Clear	6300 / 8000	2.0 / 2.4	6
383-2UYC/S530-A3	5	● Brilliant Yellow	Round	589	Water Clear	2713 / 4263	2.0 / 2.4	6

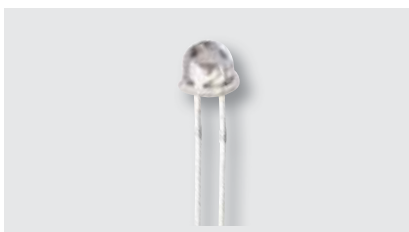
LED Lamps | 5mm Round Type



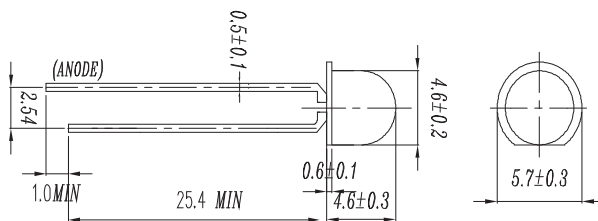
UNIT : mm



Product	Size (mm)	Color	Lens Type	λ_d (nm)/CIE(x,y)	Resin Color	I_v (Min/Typ) (mcd)	V_F (Typ/Max) (V)	Viewing Angle (°)
1383-2SDRD/S530-A3	5	● Deep Red	Round	639	Red Diffused	160 / 320	2.0 / 2.4	30
1383-2SUGT/S400-A4	5	● Brilliant Green	Round	525	Green Trans	5000 / 10000	3.3 / 3.7	15
1383-2SURD/S530-A3	5	● Brilliant Red	Round	624	Red Diffused	250 / 500	2.0 / 2.4	40
1383SYGD/S530-E2	5	● Brilliant Yellow Green	Round	573	Green Diffused	100 / 200	2.0 / 2.4	25
1383UYD/S530-A3	5	● Brilliant Yellow	Round	589	Yellow Diffused	400 / 800	2.0 / 2.4	25



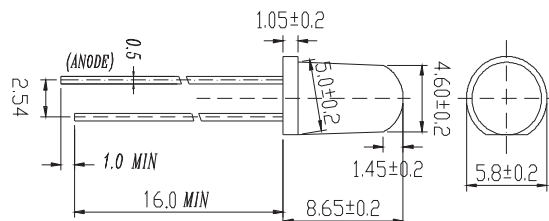
UNIT : mm



Product	Size (mm)	Color	Lens Type	λ_d (nm)/CIE(x,y)	Resin Color	I_v (Min/Typ) (mcd)	V_F (Typ/Max) (V)	Viewing Angle (°)
6324-15SUBC/S400-X10	4.6	● Blue	Round	470	Water Clear	250 / 500	3.4 / 4.0	60
6324-15SURC/S400-A9	4.6	● Brilliant Red	Round	624	Water Clear	160 / 320	2.0 / 2.4	100
6324-15SUGC/S400-A5	4.6	● Brilliant Green	Round	525	Water Clear	630 / 1250	3.3 / 3.7	50
6324-15SYGC/S530-E5	4.6	● Brilliant Yellow Green	Round	573	Water Clear	40 / 80	2.0 / 2.4	70

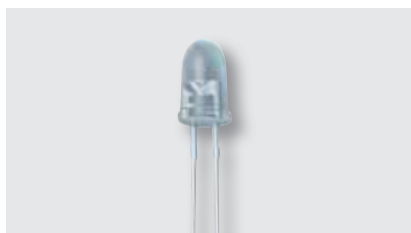


UNIT : mm

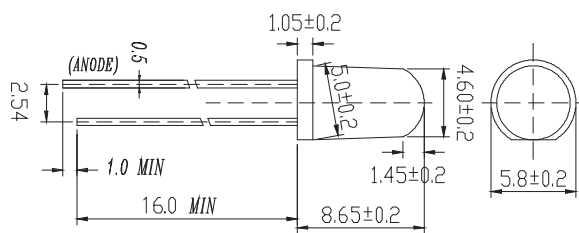


Product	Size (mm)	Color	Lens Type	λ_d (nm)/CIE(x,y)	Resin Color	I_v (Min/Typ) (mcd)	V_F (Typ/Max) (V)	Viewing Angle (°)
7343-2SURC/S530-A3	4.6	● Brilliant Red	Round	624	Water Clear	400 / 800	2.0 / 2.4	20
7343-2SYGC/S530-E2	4.6	● Brilliant Yellow Green	Round	573	Water Clear	160 / 320	2.0 / 2.4	20
7343-2USOC/S530-A3	4.6	● Reddish Orange	Round	615	Water Clear	630 / 1250	2.0 / 2.4	20
7343-2UYC/S530-A3	4.6	● Brilliant Yellow	Round	589	Water Clear	1000 / 2000	2.0 / 2.4	15
7343-2SUBC/S400-A4	4.6	● Blue	Round	470	Water Clear	630/1250	2.7/3.7	15
7343-2SURC/S530-A3	4.6	● Brilliant Red	Round	624	Water Clear	400/800	1.7/2.4	20
7343-2SYGD/S530-E3	4.6	● Brilliant Yellow Green	Round	573	Green Diffused	63/125	1.7/2.4	40
7343-2UYC/S530-A3	4.6	● Brilliant Yellow	Round	589	Water Clear	500/800	1.7/2.4	20

LED Lamps | 5mm Round Type



UNIT : mm

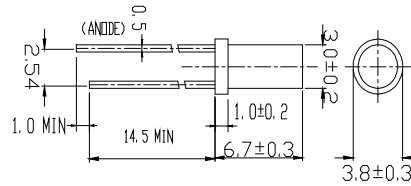


Product	Size (mm)	Color	Lens Type	λ_d (nm)/ CIE(x,y)	Resin Color	I_v (Min/Typ) (mcd)	V_F (Typ/Max) (V)	Viewing Angle (°)
7344-15SUBC/C470/S400-A6	4.6	● Blue	Round	470	Water Clear	1000 / 2000	3.4 / 4.0	30
7344-15SUGC/S400-A5	4.6	● Brilliant Green	Round	525	Water Clear	5000 / 8000	3.4 / 4.0	30
7344-15SUGC/S400-X6	4.6	● Brilliant Green	Round	525	Water Clear	8000 / 11000	3.4 / 4.0	20

LED Lamps | 3mm Cylindrical



UNIT : mm

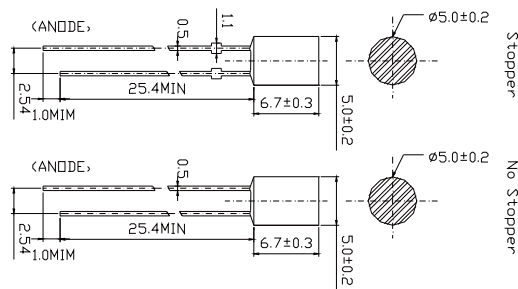


Product	Size (mm)	Color	Lens Type	λ_d (nm)/CIE(x,y)	Resin Color	I_V (Min/Typ) (mcd)	V_F (Typ/Max) (V)	Viewing Angle (°)
414-10UYD/S530-A3	3	● Brilliant Yellow	Cylindrical	589	Yellow Diffused	25 / 40	2.0 / 2.4	120
414-10SURD/S530-A3	3	● Brilliant Red	Cylindrical	624	Red Diffused	16 / 32	2.0 / 2.4	120

LED Lamps | 5mm Cylindrical



UNIT : mm

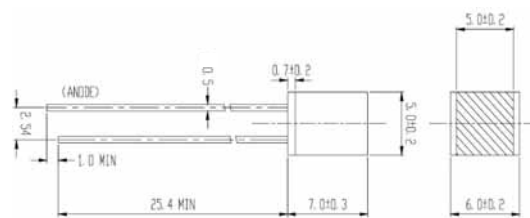


Product	Size (mm)	Color	Lens Type	λ_d (nm)/CIE(x,y)	Resin Color	I_V (Min/Typ) (mcd)	V_F (Typ/Max) (V)	Viewing Angle (°)
423-2UYC/S530-A6	5	● Brilliant Yellow	Cylindrical	589	Water Clear	100 / 200	2.0 / 2.4	90
423-2SURC/S530-A3	5	● Brilliant Red	Cylindrical	624	Water Clear	25 / 63	2.0 / 2.4	80
423-2SYGC/S530-E2	5	● Brilliant Yellow Green	Cylindrical	573	Water Clear	40 / 80	2.0 / 2.4	60
423-2SUBC/S400-A4	5	● Blue	Cylindrical	470	Water Clear	63 / 100	3.3 / 3.7	70
423-2SUGC/S400-X6	5	● Brilliant Green	Cylindrical	525	Water Clear	400 / 800	3.3 / 3.7	80
423-2UYOC/S530-A3	5	● Brilliant Orange	Cylindrical	605	Water Clear	63 / 125	2.0 / 2.4	80

LED Lamps | 5mm Square



UNIT : mm

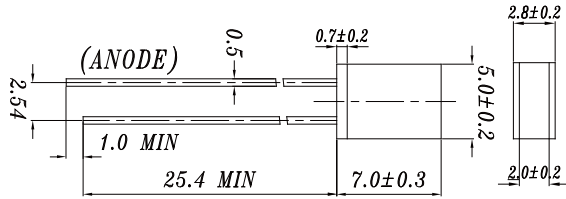


Product	Size (mm)	Color	Lens Type	λ_d (nm)/CIE(x,y)	Resin Color	I_V (Min/Typ) (mcd)	V_F (Typ/Max) (V)	Viewing Angle (°)
583SURD/S530-A3	5x5	● Brilliant Red	Square	624	Red Diffused	12.5 / 20	2.0 / 2.4	130
583SYGD/S530-E2	5x5	● Brilliant Yellow Green	Square	573	Green Diffused	2.5 / 5	2.0 / 2.4	170
583UYD/S530-A3	5x5	● Brilliant Yellow	Square	589	Yellow Diffused	10 / 20	2.0 / 2.4	170

LED Lamps | Rectangular



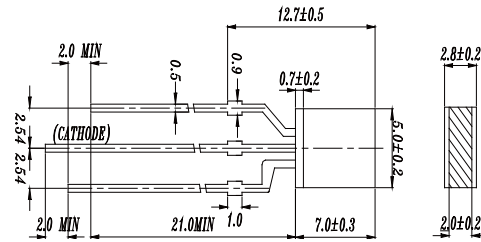
UNIT : mm



Product	Size (mm)	Color	Lens Type	λ_d (nm)/CIE(x,y)	Resin Color	I_v (Min/Typ) (mcd)	V_F (Typ/Max) (V)	Viewing Angle (°)
513SURD/S530-A3	2x5	● Brilliant Red	Rectangle	624	Red Diffused	10 / 20	2.0 / 2.4	180
513SYGD/S530-E2	2x5	● Brilliant Yellow Green	Rectangle	573	Green Diffused	6.3 / 12.5	2.0 / 2.4	140
513UYD/S530-A3	2x5	● Brilliant Yellow	Rectangle	589	Yellow Diffused	20 / 32	2.0 / 2.4	150
513-2SUBC/S400-A6	2x5	● Blue	Rectangle	470	Water Clear	100 / 200	3.3 / 3.7	80
513-2SDRD/S530-A3	2x5	● Deep Red	Rectangle	639	Red Diffused	10 / 16	2.0 / 2.4	140
513-2UYOT/S530-A3	2x5	● Brilliant Orange	Rectangle	605	Yellow Trans	40 / 80	2.0 / 2.4	40



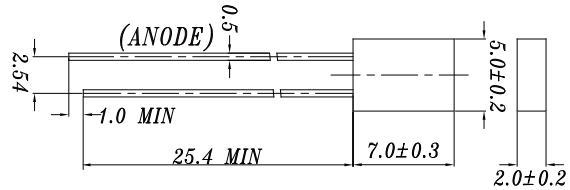
UNIT : mm



Product	Size (mm)	Color	Lens Type	λ_d (nm)/CIE(x,y)	Resin Color	I_v (Min/Typ) (mcd)	V_F (Typ/Max) (V)	Viewing Angle (°)
519-1SURSYGW/S530-A3	2x5	● Brilliant Red ● Brilliant Yellow Green	Rectangle	624 / 573	White Diffused	6.3 / 12.5 2.5 / 5.0	2.0 / 2.4 2.0 / 2.4	180
519-1SDRSYGW/S530-A3	2x5	● Deep Red ● Brilliant Yellow Green	Rectangle	639/573	White Diffused	6.3 / 12.5 4 / 8	2.0 / 2.4 2.0 / 2.4	180
519-1UYSYGW/S530-A3	2x5	● Brilliant Yellow ● Brilliant Yellow Green	Rectangle	589/573	White Diffused	6.3 / 12.5 4 / 8	2.0 / 2.4 2.0 / 2.4	180



UNIT : mm

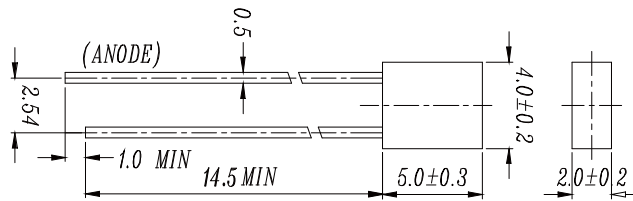


Product	Size (mm)	Color	Lens Type	λ_d (nm)/CIE(x,y)	Resin Color	I_v (Min/Typ) (mcd)	V_F (Typ/Max) (V)	Viewing Angle (°)
523-2SDRD/S530-A3	2x5	● Deep Red	Rectangle	639	Red Diffused	10 / 16	2.0 / 2.4	120
523-2SURD/S530-A3	2x5	● Brilliant Red	Rectangle	624	Red Diffused	16 / 32	2.0 / 2.4	120
523-2SUGD/S400-A6	2x5	● Brilliant Green	Rectangle	525	Green Diffused	160 / 320	3.3 / 3.7	130
523-2SUBC/S400-A4	2x5	● Blue	Rectangle	470	Water Clear	63 / 100	3.3 / 3.7	90
523-2UYOD/S530-A3	2x5	● Brilliant Orange	Rectangle	605	Yellow Diffused	16 / 32	2.0 / 2.4	150
523-2USOD/S530-A3	2x5	● Reddish Orange	Rectangle	615	Orange Diffused	10 / 20	2.0 / 2.4	180
523-2UYD/S530-A3	2x5	● Brilliant Yellow	Rectangle	589	Yellow Diffused	6.3 / 12.5	2.0 / 2.4	180
523SYGD/S530-E2	2x5	● Brilliant Yellow Green	Rectangle	573	Green Diffused	4 / 8	2.0 / 2.4	150

LED Lamps | Rectangular



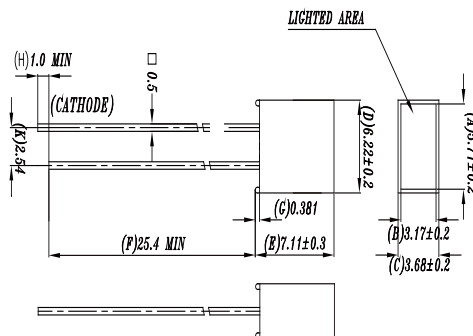
UNIT : mm



Product	Size (mm)	Color	Lens Type	λ_d (nm)/CIE(x,y)	Resin Color	I_v (Min/Typ) (mcd)	V_F (Typ/Max) (V)	Viewing Angle (°)
594SUBC/C470/S400-A4	2x4	Blue	Rectangular	470	Water Clear	40 / 63	3.4 / 4.0	100
594SURD/S530-A3	2x4	Brilliant Red	Rectangular	624	Red Diffused	10 / 16	2.0 / 2.4	170
594SUGC/S400-A5	2x4	Brilliant Green	Rectangular	525	Water Clear	160 / 320	3.3 / 3.7	100
594SDRC/S530-A3	2x4	Deep Red	Rectangular	639	Water Clear	10 / 20	2.0 / 2.4	120
594UYD/S530-A3	2x4	Brilliant Yellow	Rectangular	589	Yellow Diffused	10 / 20	2.0 / 2.4	180
594SYGD/S530-E2	2x4	Brilliant Yellow Green	Rectangular	573	Green Diffused	4.0 / 8.0	2.0 / 2.4	180
594UYD/S530-A3	2x4	Brilliant Yellow	Rectangular	589	Yellow Diffused	10 / 20	2.0 / 2.4	180



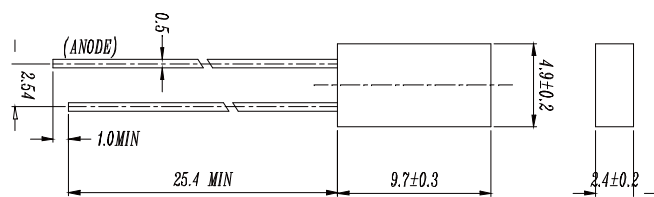
UNIT : mm



Product	Size (mm)	Color	Lens Type	λ_d (nm)/CIE(x,y)	Resin Color	I_v (Min/Typ) (mcd)	V_F (Typ/Max) (V)	Viewing Angle (°)
1003SURD/S530-A3	3.68x6.22	Brilliant Red	Rectangular	624	Red Diffused	25 / 50	2.0 / 2.4	110
1003SYGD/S530-E2	3.68x6.22	Brilliant Yellow Green	Rectangular	573	Green Diffused	6.3 / 12.5	2.0 / 2.4	110
1003SUBD/S400-A6	3.68x6.22	Blue	Rectangular	470	Blue Diffused	10 / 20	3.3 / 3.7	110
1003SUGD/S400-A4	3.68x6.22	Brilliant Green	Rectangular	525	Green Diffused	16 / 50	3.3 / 4.0	110

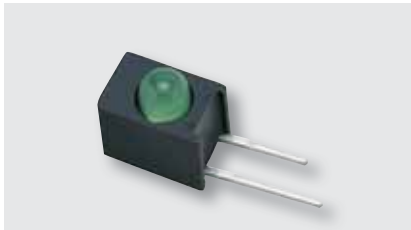


UNIT : mm

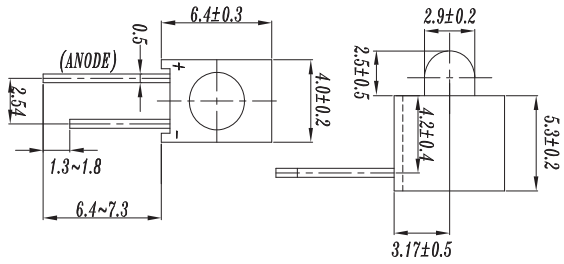


Product	Size (mm)	Color	Lens Type	λ_d (nm)/CIE(x,y)	Resin Color	I_v (Min/Typ) (mcd)	V_F (Typ/Max) (V)	Viewing Angle (°)
1533SURD/S530-A3	2.4x4.9	Brilliant Red	Round	624	Red Diffused	10 / 20	2.0 / 2.4	170
1533UYD/S530-A3	2.4x4.9	Brilliant Yellow	Round	589	Yellow Diffused	10 / 20	2.0 / 2.4	180

LED Lamps | 3mm Assembly LED



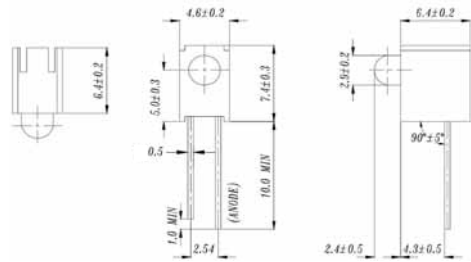
UNIT : mm



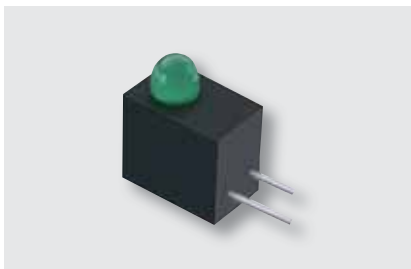
Product	Size (mm)	Color	Lens Type	λ_d (nm)/ CIE(x,y)	Resin Color	I_V (Min/Typ) (mcd)	V_F (Typ/Max) (V)	Viewing Angle (°)
A214B/SUR/S530-A3	3	● Brilliant Red	Round	624	Red Diffused	63 / 120	2.0 / 2.4	60
A214B/SYG/S530-E2	3	● Brilliant Yellow Green	Round	573	Green Diffused	16 / 32	2.0 / 2.4	60
A214B/UY/S530-A3	3	● Brilliant Yellow	Round	589	Yellow Diffused	50 / 100	2.0 / 2.4	60
A214B/SUBC/C470/S400-A4	3	● Blue	Round	470	Water Clear	250 / 500	3.3 / 3.7	30
A214B/SDR/S530-A3	3	● Deep Red	Round	639	Red Diffused	40 / 80	2.0 / 2.4	60
A214B/SUG/S400-X6	3	● Brilliant Green	Round	525	Green Diffused	630 / 1250	3.3 / 3.7	30
A214B/USOC/S530-A3	3	● Reddish Orange	Round	615	Water Clear	100 / 200	2.0 / 2.4	40



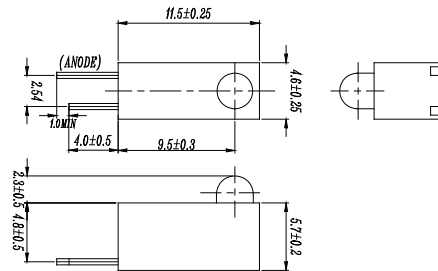
UNIT : mm



Product	Size (mm)	Color	Lens Type	λ_d (nm)/ CIE(x,y)	Resin Color	I_V (Min/Typ) (mcd)	V_F (Typ/Max) (V)	Viewing Angle (°)
A264B/SUB/S400-A4	3	● Blue	Round	470	Blue Diffused	160 / 250	3.4 / 4.0	35
A264B/SUR/S530-A3	3	● Brilliant Red	Round	624	Red Diffused	63 / 120	2.0 / 2.4	60
A264B/SYG/S530-E2	3	● Brilliant Yellow Green	Round	573	Green Diffused	25 / 50	2.0 / 2.4	60
A264B/UY/S530-A3	3	● Brilliant Yellow	Round	589	Yellow Diffused	50 / 100	2.0 / 2.4	60
A264B/SDR/S530-A3	3	● Deep Red	Round	639	Red Diffused	40 / 80	2.0 / 2.4	60
A264B/UYO/S530-A3	3	● Brilliant Orange	Round	605	Yellow Diffused	63 / 125	2.0 / 2.4	60
A264B/SUG/S400-A4	3	● Brilliant Green	Round	525	Green Diffused	630 / 1250	3.3 / 3.7	40

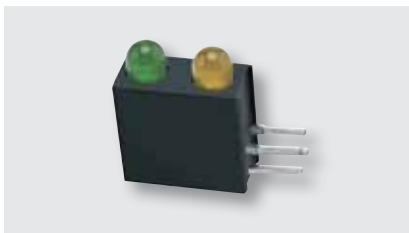


UNIT : mm

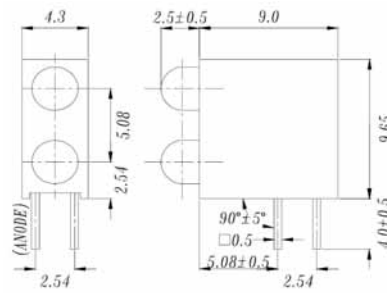


Product	Size (mm)	Color	Lens Type	λ_d (nm)/ CIE(x,y)	Resin Color	I_V (Min/Typ) (mcd)	V_F (Typ/Max) (V)	Viewing Angle (°)
A274B/SYG/S530-E2	3	● Brilliant Yellow Green	Round	573	Green Diffused	25 / 50	2.0 / 2.4	60
A274B/SUR/S530-A3	3	● Brilliant Red	Round	624	Red Diffused	63 / 125	2.0 / 2.4	60
A274B/UY/S530-A3	3	● Brilliant Yellow	Round	589	Yellow Diffused	40 / 80	2.0 / 2.4	60
A274B/SUB/S400-X9	3	● Blue	Round	470	Blue Diffused	400 / 800	3.3 / 3.7	30
A274B/SDR/S530-A3	3	● Deep Red	Round	639	Red Diffused	40 / 80	2.0 / 2.4	60

LED Lamps | 3mm Assembly LED



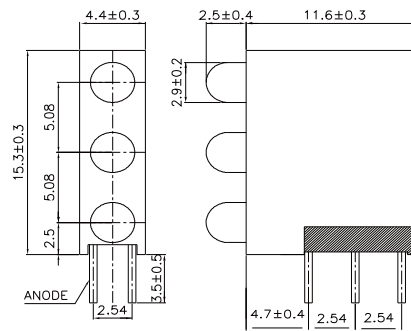
UNIT : mm



Product	Size (mm)	Color	Lens Type	λ_d (nm)/ CIE(x,y)	Resin Color	I_v (Min/Typ) (mcd)	V_F (Typ/Max) (V)	Viewing Angle (°)
A694B/2SUR/S530-A3	3	● Brilliant Red	Round	624	Red Diffused	10 / 25	2.0 / 2.4	60
A694B/2SYG/S530-E2	3	● Brilliant Yellow Green	Round	573	Green Diffused	25 / 50	2.0 / 2.4	60
A694B/2UY/S530-A3	3	● Brilliant Yellow	Round	589	Yellow Diffused	16 / 32	2.0 / 2.4	60
A694B/SURSYG/S530-A3	3	● Brilliant Red ● Brilliant Yellow Green	Round	624 / 573	Red Diffused Green Diffused	40 / 80 25 / 50	2.0 / 2.4 2.0 / 2.4	60 / 60
A694B/SYGUY/S530-A3	3	● Brilliant Yellow Green ● Brilliant Yellow	Round	573 / 589	Red Diffused Green Diffused	25 / 50 40 / 80	2.0 / 2.4 2.0 / 2.4	60 / 60
A694B/2SUB/S400-A6	3	● Blue	Round	470	Blue Diffused	250 / 500	3.3 / 3.7	30

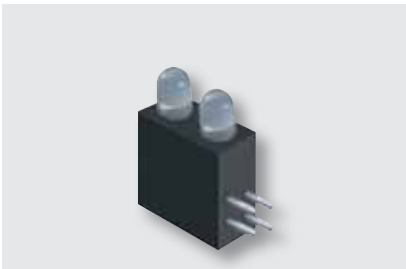


UNIT : mm

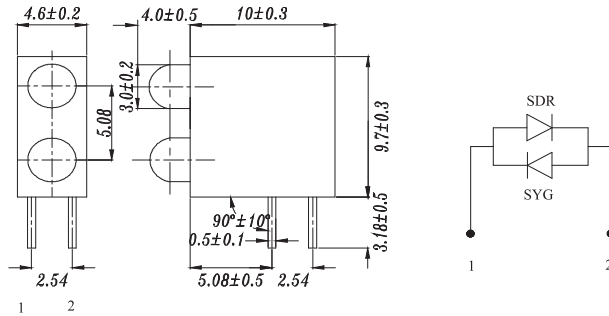


Product	Size (mm)	Color	Lens Type	λ_d (nm)/ CIE(x,y)	Resin Color	I_v (Min/Typ) (mcd)	V_F (Typ/Max) (V)	Viewing Angle (°)
A1394B/3SYG/S530-E2	3	● Brilliant Yellow Green	Round	573	Green Diffused	25 / 50	2.0 / 2.4	60
A1394B/3UYO/S530-A3	3	● Brilliant Orange	Round	605	Yellow Diffused	63 / 200	2.0 / 2.4	60
A1394B/3SUR/S530-A3	3	● Brilliant Red	Round	624	Red Diffused	63 / 125	2.0 / 2.4	60
A1394B/3UY/S530-A3	3	● Brilliant Yellow	Round	589	Yellow Diffused	63 / 125	2.0 / 2.4	60

LED Lamps | 3mm Assembly LED



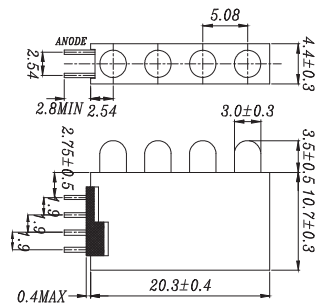
UNIT : mm



Product	Size (mm)	Color	Lens Type	λ_d (nm)/ CIE(x,y)	Resin Color	I_V (Min/Typ) (mcd)	V_F (Typ/Max) (V)	Viewing Angle (°)
A2784B/2SYGSDRW/ S530-A3	3	● Brilliant Yellow Green ● Deep Red	Round	573 / 639	White Diffused	16 / 32 25 / 50	2.0 / 2.4 2.0 / 2.4	50
A2784B/2SURSYPGW/ S530-A3	3	● Brilliant Red ● Brilliant Yellow Green	Round	624/573	White Diffused	16 / 32 10 / 20	2.0 / 2.4 2.0 / 2.4	70
A2784B/2SYG/S530-E2	3	● Brilliant Yellow Green	Round	573	Color Diffused	25 / 50	2.0 / 2.4	50
A2784B/SDRSYP/S530-A3	3	● Deep Red ● Brilliant Yellow Green	Round	639/573	Red Diffused Green Diffused	40 / 80 25 / 50	2.0 / 2.4 2.0 / 2.4	60



UNIT : mm

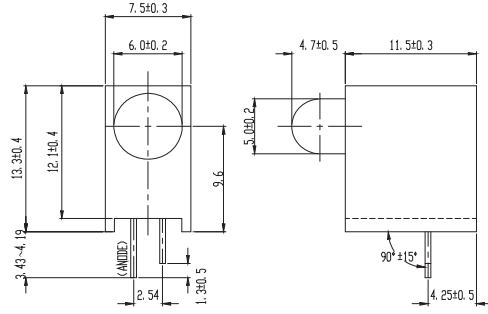


Product	Size (mm)	Color	Lens Type	λ_d (nm)/ CIE(x,y)	Resin Color	I_V (Min/Typ) (mcd)	V_F (Typ/Max) (V)	Viewing Angle (°)
A1844B/4SYG/S530-E2	3	● Brilliant Yellow Green	Round	573	Green Diffused	16 / 32	2.0 / 2.4	60
A1844B/2SYG2SUR/S530-E2	3	● Brilliant Yellow Green ● Brilliant Red	Round	573/624	Green Diffused Red Diffused	25 / 50 63 / 125	2.0 / 2.4 2.0 / 2.4	60
A1844B/2SYG2UY/S530-A2	3	● Brilliant Yellow Green ● Brilliant Yellow	Round	573/589	Green Diffused Yellow Diffused	2.5 / 10 1.6 / 4	2.0 / 2.4 2.0 / 2.4	60
A1844B/4SUBW/C470/S400-A6	3	● Blue	Round	470	White Diffused	63 / 125	3.3 / 3.7	60
A1844B/4SUR/S530-A3	3	● Brilliant Red	Round	624	Red Diffused	40 / 63	2.0 / 2.4	60
A1844B/4UY/S530-A3	3	● Brilliant Yellow	Round	589	Yellow Diffused	50 / 100	2.0 / 2.4	60

LED Lamps | 5mm Assembly LED



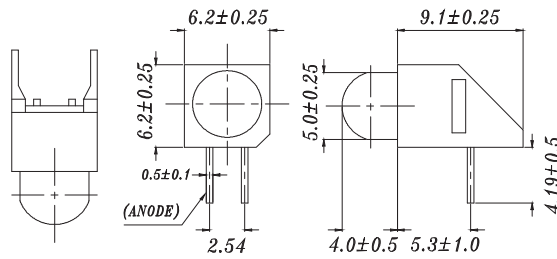
UNIT : mm



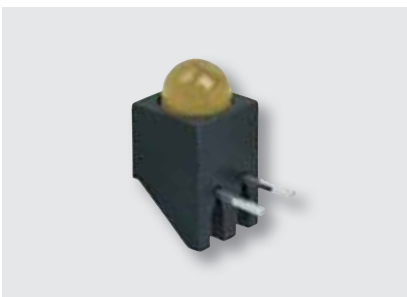
Product	Size (mm)	Color	Lens Type	λ_d (nm)/CIE(x,y)	Resin Color	I_v (Min/Typ) (mcd)	V_F (Typ/Max) (V)	Viewing Angle (°)
A203B/SUR/S530-A3	5	● Brilliant Red	Round	624	Red Diffused	100 / 200	2.0 / 2.4	30
A203B/SYG/S530-E2	5	● Brilliant Yellow Green	Round	573	Green Diffused	40 / 80	2.0 / 2.4	45
A203B/UY/S530-A3	5	● Brilliant Yellow	Round	589	Yellow Diffused	100 / 200	2.0 / 2.4	30



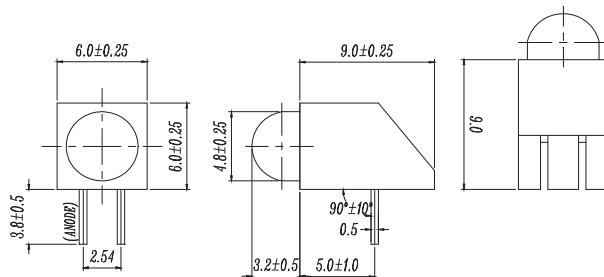
UNIT : mm



Product	Size (mm)	Color	Lens Type	λ_d (nm)/CIE(x,y)	Resin Color	I_v (Min/Typ) (mcd)	V_F (Typ/Max) (V)	Viewing Angle (°)
A253B/SUR/S530-A3	5	● Brilliant Red	Round	624	Red Diffused	100 / 200	2.0 / 2.4	30
A253B/SYG/S530-E2	5	● Brilliant Yellow Green	Round	573	Green Diffused	40 / 80	2.0 / 2.4	45

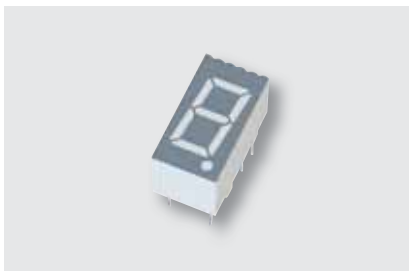


UNIT : mm

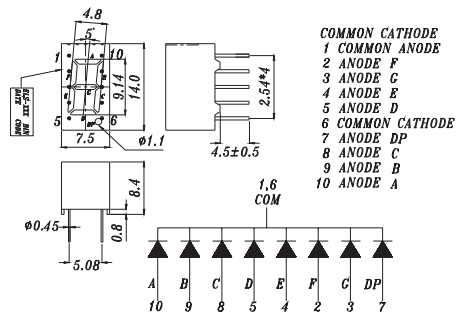


Product	Size (mm)	Color	Lens Type	λ_d (nm)/CIE(x,y)	Resin Color	I_v (Min/Typ) (mcd)	V_F (Typ/Max) (V)	Viewing Angle (°)
A93B/SUR/S530-A3	4.7	● Brilliant Red	Round	624	Red Diffused	100 / 250	2.0 / 2.4	40
A93B/UY/S530-A3	4.7	● Brilliant Yellow	Round	589	Yellow Diffused	160 / 320	2.0 / 2.4	35
A93B/SYG/S530-E2	4.7	● Brilliant Yellow Green	Round	573	Green Diffused	40 / 80	2.0 / 2.4	80
A93B/SDR/S530-A3	4.7	● Deep Red	Round	639	Red Diffused	63 / 100	2.0 / 2.4	50
A93B/SUB/S400-A6	4.7	● Blue	Round	470	Blue Diffused	400 / 800	3.3 / 3.7	20

LED Digital Displays | Chip On Board Display | Single Digit Display



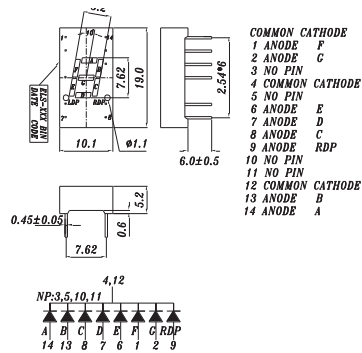
UNIT : mm



Product	Segment Height mm (inch)	Color	Segment Width	CC/CA	λ_d (nm)	Resin Color	Face Color	I_v (Min/Typ) (mcd)
S315SURWA/S530-A3	9.14 (0.3)	● Brilliant Red	4.8	CC	624	White	Gray	4.0 / 8.0
S315SYGWA/S530-E2	9.14 (0.3)	● Brilliant Yellow Green	4.8	CC	573	White	Gray	2.0 / 3.2
S316SURWB/S530-E2	9.14 (0.3)	● Brilliant Red	4.8	CA	624	White	Black	4.0 / 8.0
S316SYGWA/S530-A3	9.14 (0.3)	● Brilliant Yellow Green	4.8	CA	573	White	Gray	2.0 / 3.2



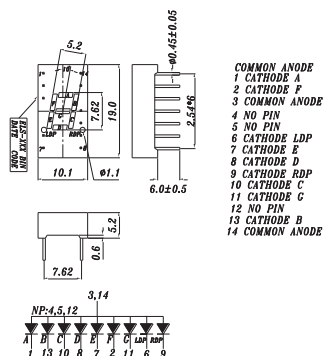
UNIT : mm



Product	Segment Height mm (inch)	Color	Segment Width	CC/CA	λ_d (nm)	Resin Color	Face Color	I_v (Min/Typ) (mcd)
S321SURWA/S530-A3	7.62 (0.3)	● Brilliant Red	5.2	CC	624	White	Gray	5.6 / 11.0
S321USOWA/S530-A4	7.62 (0.3)	● Reddish Orange	5.2	CC	615	White	Gray	7.8 / 17.6
S321SYGWA/S530-E2	7.62 (0.3)	● Brilliant Yellow Green	5.2	CC	573	White	Gray	2.8 / 6.4



UNIT : mm

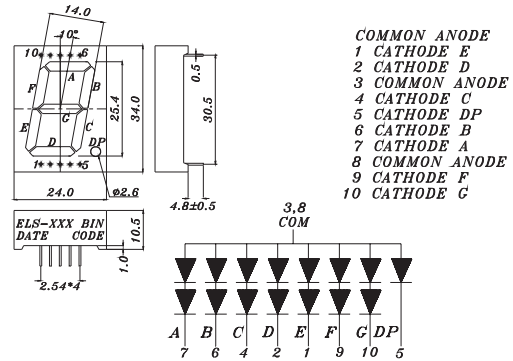


Product	Segment Height mm (inch)	Color	Segment Width	CC/CA	λ_d (nm)	Resin Color	Face Color	I_v (Min/Typ) (mcd)
S322SURWA/S530-A3	7.62 (0.3)	● Brilliant Red	5.2	CA	624	White	Gray	5.6 / 11.0
S322USOWA/S530-A4	7.62 (0.3)	● Reddish Orange	5.2	CA	615	White	Gray	7.8 / 17.6
S322SYGWA/S530-E2	7.62 (0.3)	● Green	5.2	CA	573	White	Gray	2.0 / 4.5
S322UBWA/C470	7.62 (0.3)	● Blue	5.2	CA	470	White	Gray	7.8 / 17.6

LED Digital Displays | Chip On Board Display | Single Digit Display



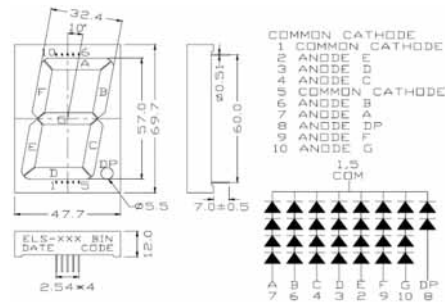
UNIT : mm



Product	Segment Height mm (inch)	Color	Segment Width	CC/CA	λ_d (nm)	Resin Color	Face Color	I_v (Min/Typ) (mcd)
S1006SURWA/S530-A3	25.4(1.0)	● Brilliant Red	14	CA	624	White	Gray	15 / 24
S1006SYGWA/S530-E2	25.4(1.0)	● Brilliant Yellow Green	14	CA	573	White	Gray	5.6 / 12.5
S1006SDRDB/A3/S660	25.4(1.0)	● Deep-Red	14	CA	639	Red	Black	11.0 / 24.0



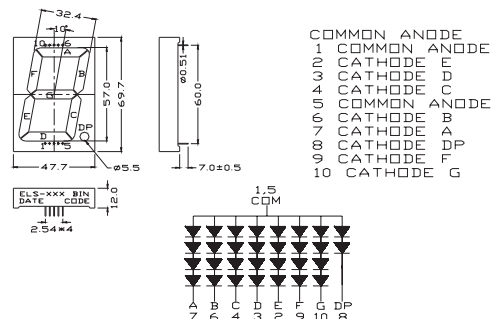
UNIT : mm



Product	Segment Height mm (inch)	Color	Segment Width	CC/CA	λ_d (nm)	Resin Color	Face Color	I_v (Min/Typ) (mcd)
S2325SURWA/S530-A3	57 (2)	● Brilliant Red	32.4	CC	624	White	Gray	15 / 34
S2325SURDA/S530-A3	57 (2)	● Brilliant Red	32.4	CC	624	RED	Gray	15 / 34



UNIT : mm

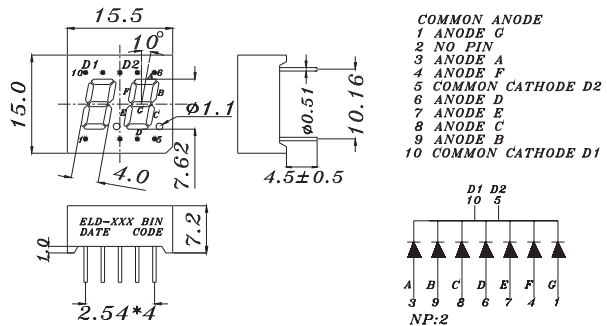


Product	Segment Height mm (inch)	Color	Segment Width	CC/CA	λ_d (nm)	Resin Color	Face Color	I_v (Min/Typ) (mcd)
S2326SURWA/S530-A3	57 (2)	● Brilliant Red	32.4	CA	624	White	Gray	15 / 34
S2326USOWA/S530-A4	57 (2)	● Reddish Orange	32.4	CA	615	White	Gray	30 / 67
S2326SYGWA/S530-E2	57 (2)	● Brilliant Yellow Green	32.4	CA	573	White	Gray	5.6 / 12.5
S2326UBWA/C470	57 (2)	● Blue	32.4	CA	470	White	Gray	15 / 34

LED Digital Displays | Chip On Board Display | Dual Digit Display



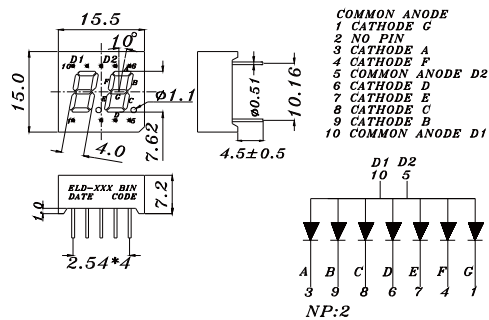
UNIT : mm



Product	Segment Height mm (inch)	Color	Segment Width	CC/CA	λ_d (nm)	Resin Color	Face Color	I_v (Min/Typ) (mcd)
D305SURWA/S530-A3	7.62 (0.3)	● Brilliant Red	4	CC	624	White	Gray	4.0 / 6.4
D305SYGWA/S530-E2	7.62 (0.3)	● Super Yellow Green	4	CC	573	White	Gray	1.05 / 1.68
D305SDRWB/S530-A3	7.62 (0.3)	● Deep-Red	4	CC	639	White	Black	2.0 / 4.5



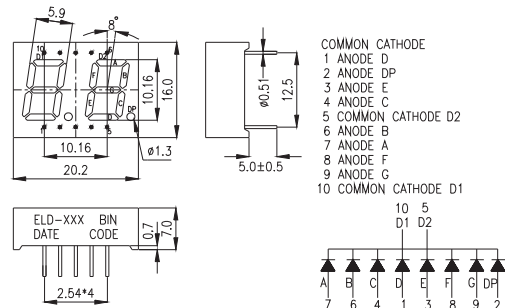
UNIT : mm



Product	Segment Height mm (inch)	Color	Segment Width	CC/CA	λ_d (nm)	Resin Color	Face Color	I_v (Min/Typ) (mcd)
D306SURWA/S530-A3	7.62 (0.3)	● Brilliant Red	4	CA	624	White	Gray	4.0 / 6.4
D306SYGWA/S530-E2	7.62 (0.3)	● Brilliant Yellow Green	4	CA	573	White	Gray	2.0 / 4.5
D306USOWA/S530-A3	7.62 (0.3)	● Reddish Orange	4	CA	615	White	Gray	4.0 / 8.9



UNIT : mm

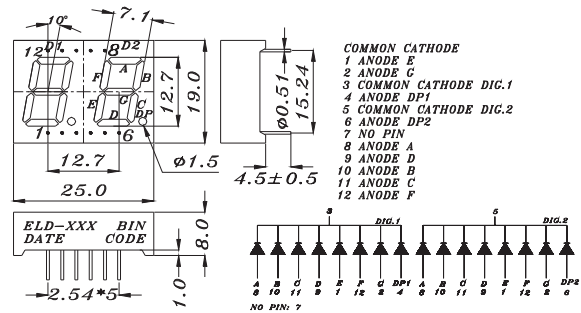


Product	Segment Height mm (inch)	Color	Segment Width	CC/CA	λ_d (nm)	Resin Color	Face Color	I_v (Min/Typ) (mcd)
D425SURWA/S530-A3	10.16 (0.4)	● Brilliant Red	5.9	CC	624	White	Gray	7.8 / 15.0
D425USOWA/S530-A4	10.16 (0.4)	● Reddish Orange	5.9	CC	615	White	Gray	11.0 / 24.0
D425SYGWA/S530-E2	10.16 (0.4)	● Brilliant Yellow Green	5.9	CC	573	White	Gray	2.0 / 3.2
D425SDRWA/S530-A4	10.16(0.4)	● Deep-Red	5.9	CC	639	White	Gray	4.0 / 8.9

LED Digital Displays | Chip On Board Display | Dual Digit Display



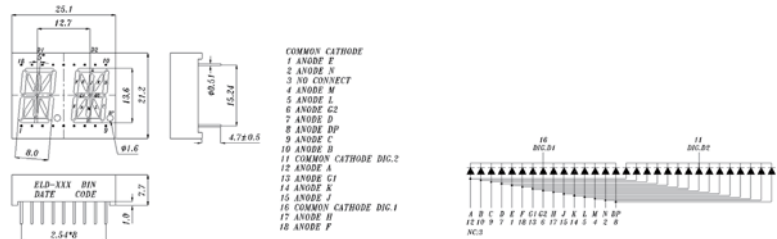
UNIT : mm



Product	Segment Height mm (inch)	Color	Segment Width	CC/CA	λ_d (nm)	Resin Color	Face Color	I_v (Min/Typ) (mcd)
D515SURWA/S530-A3	12.7 (0.5)	● Brilliant Red	7.1	CC	624	White	Gray	7.8 / 15
D516SURWA/S530-A3	12.7 (0.5)	● Brilliant Red	7.1	CA	624	White	Gray	7.8 / 15



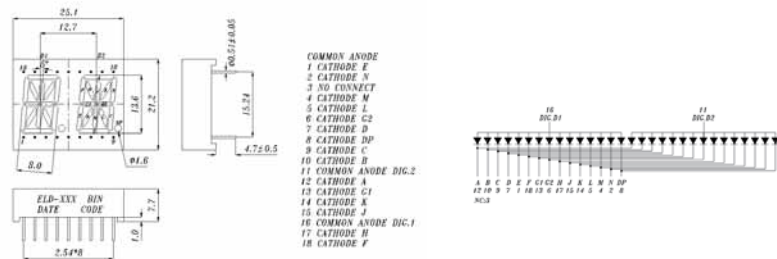
UNIT : mm



Product	Segment Height mm (inch)	Color	Segment Width	CC/CA	λ_d (nm)	Resin Color	Face Color	I_v (Min/Typ) (mcd)
D525SURWA/S530-A3	13.6 (0.5)	● Brilliant Red	8	CC	624	White	Gray	7.8 / 12.5
D525SYGWA/S530-E2	13.6(0.5)	● Brilliant Yellow Green	8	CC	573	White	Gray	2.8 / 4.5



UNIT : mm

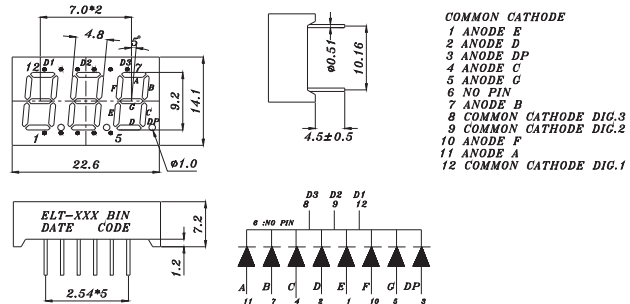


Product	Segment Height mm (inch)	Color	Segment Width	CC/CA	λ_d (nm)	Resin Color	Face Color	I_v (Min/Typ) (mcd)
D526SURWA/S530-A3	13.6 (0.5)	● Brilliant Red	8	CA	624	White	Gray	7.8 / 12.5
D526SYGWA/S530-E2	13.6(0.5)	● Brilliant Yellow Green	8	CA	573	White	Gray	2.8 / 4.5
D526USOWA/S530-A4	13.6(0.5)	● Brilliant Red	8	CA	615	White	Gray	5.2 / 12.5

LED Digital Displays | Chip On Board Display | Three Digit Display



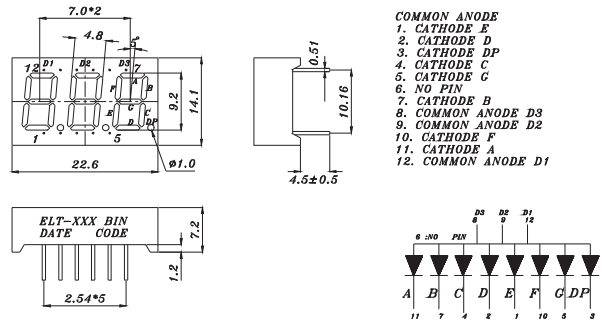
UNIT : mm



Product	Segment Height mm (inch)	Color	Segment Width	CC/CA	λ_d (nm)	Resin Color	Face Color	I_v (Min/Typ) (mcd)
T315SYGWA/S530-E2	9.2 (0.3)	● Brilliant Yellow Green	4.8	CC	573	White	Gray	1.4 / 3.2
T315UYOWA/S530-A3	9.2(0.3)	● Orange	4.8	CC	605	White	Gray	4.0 / 8.9
T315SURWA/S530-A2	9.2(0.3)	● Hyper Red	4.8	CC	624	White	Gray	6.8 / 8.5
T315SDRWA/S530-A3	9.2(0.3)	● Deep-Red	4.8	CC	639	White	Gray	4.0 / 6.4



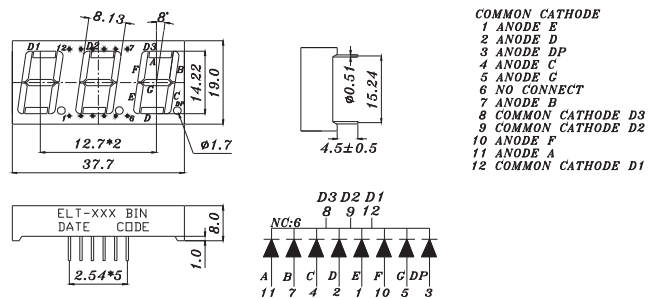
UNIT : mm



Product	Segment Height mm (inch)	Color	Segment Width	CC/CA	λ_d (nm)	Resin Color	Face Color	I_v (Min/Typ) (mcd)
T316SURWA/S530-A3	9.2 (0.3)	● Brilliant Red	4.8	CA	624	White	Gray	5.6 / 11
T316SYGWA/S530-E2	9.2 (0.3)	● Brilliant Yellow Green	4.8	CA	573	White	Gray	1.4 / 3.2
T316SDRWA/S530-A3	9.2(0.3)	● Deep-Red	4.8	CA	639	White	Gray	4.0 / 6.4



UNIT : mm

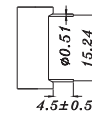
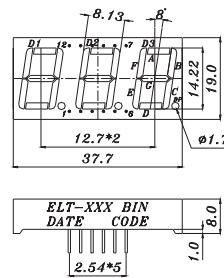


Product	Segment Height mm (inch)	Color	Segment Width	CC/CA	λ_d (nm)	Resin Color	Face Color	I_v (Min/Typ) (mcd)
T511SURWA/S530-A3	14.22 (0.5)	● Brilliant Red	8.13	CC	624	White	Gray	7.8 / 17.6
T511SYGWA/S530-E2	14.22 (0.5)	● Brilliant Yellow Green	8.13	CC	573	White	Gray	2.8 / 4.5
T511UYOWA/S530-A3	14.22 (0.5)	● Brilliant Yellow	8.13	CC	605	White	Gray	5.6 / 12.5
T511SUGWB/S400-A4/S800	14.22(0.5)	● Brilliant Green	8.13	CC	525	White	Black	30.0 / 67.0

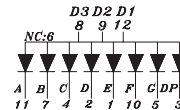
LED Digital Displays | Chip On Board Display | Three Digit Display



UNIT : mm



- COMMON ANODE**
 1 CATHODE E
 2 CATHODE D
 3 CATHODE DP
 4 CATHODE C
 5 CATHODE G
 6 NO CONNECT
 7 CATHODE B
 8 COMMON ANODE D3
 9 COMMON ANODE D2
 10 CATHODE F
 11 CATHODE A
 12 COMMON ANODE D1

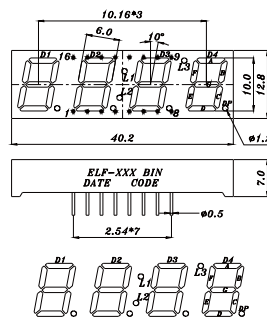


Product	Segment Height mm (inch)	Color	Segment Width	CC/CA	λ_d (nm)	Resin Color	Face Color	I_v (Min/Typ) (mcd)
T512SURWA/S530-A3	14.22 (0.5)	● Brilliant Red	8.13	CA	624	White	Gray	7.8 / 17.6
T512SYGWA/S530-E2	14.22 (0.5)	● Brilliant Yellow Green	8.13	CA	573	White	Gray	2.8 / 4.5
T512UYOWA/S530-A3	14.22 (0.5)	● Brilliant Yellow	8.13	CA	605	White	Gray	5.6 / 12.5
T512USOWA/S530-A4	14.22(0.5)	● Reddish Orange	8.13	CA	615	White	Gray	7.8 / 17.6
T512SURWB/S530-A3	14.22 (0.5)	● Brilliant Red	8.13	CA	624	White	Black	7.8 / 17.6
T512SYGWB/S530-E2	14.22 (0.5)	● Brilliant Yellow Green	8.13	CA	573	White	Black	2.8 / 4.5

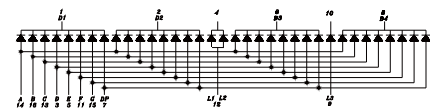
LED Digital Display | Chip On Board Display | Four Digit Display



UNIT : mm



- COMMON CATHODE**
 1 COMMON CATHODE D1
 2 COMMON CATHODE D2
 3 ANODE D
 4 COMMON CATHODE L1,L2
 5 ANODE E
 6 COMMON CATHODE D3
 7 ANODE DP
 8 COMMON CATHODE D4
 9 ANODE L3
 10 CATHODE L3
 11 ANODE F
 12 ANODE L1,L2
 13 ANODE C
 14 ANODE A
 15 ANODE G
 16 ANODE B

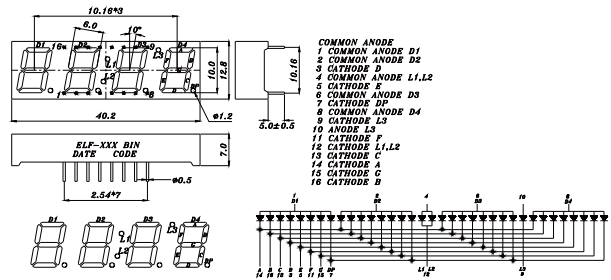


Product	Segment Height mm (inch)	Color	Segment Width	CC/CA	λ_d (nm)	Resin Color	Face Color	I_v (Min/Typ) (mcd)
F415SURWA/S530-A3	10 (0.4)	● Brilliant Red	6	CC	624	White	Gray	5.6 / 8.9
F415SURWB/S530-A3	10 (0.4)	● Brilliant Red	6	CC	624	White	Black	5.6 / 8.9

LED Digital Displays | Chip On Board Display | Four Digit Display



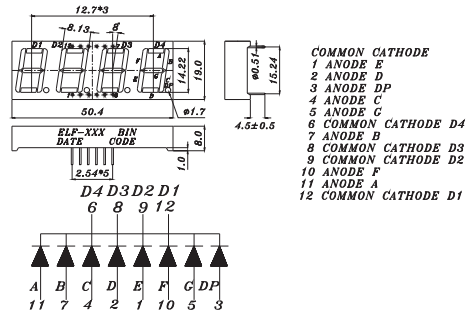
UNIT : mm



Product	Segment Height mm (inch)	Color	Segment Width	CC/CA	λ_d (nm)	Resin Color	Face Color	I_v (Min/Typ) (mcd)
F416SYGWA/S530-E3	10 (0.4)	● Brilliant Yellow Green	6	CA	573	White	Gray	4 / 8.9
F416SURWA/S530-A3	10 (0.4)	● Brilliant Red	6	CA	624	White	Gray	5.6 / 8.9
F416USRWA/S530-A3	10.0(0.4)	● Dark-Red	6	CA	631	White	Gray	5.6 / 8.9
F416SURWB/S530-A3	10 (0.4)	● Brilliant Red	6	CA	624	White	Black	5.6 / 8.9



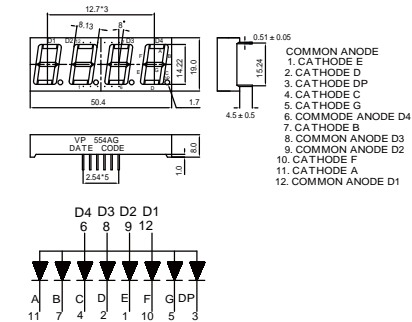
UNIT : mm



Product	Segment Height mm (inch)	Color	Segment Width	CC/CA	λ_d (nm)	Resin Color	Face Color	I_v (Min/Typ) (mcd)
F511SURWA/S530-A3	14.22 (0.5)	● Brilliant Red	8.13	CC	624	White	Gray	7.8 / 15
F511SYGWA/S530-E2	14.22 (0.5)	● Brilliant Yellow Green	8.13	CC	573	White	Gray	4 / 4.5
F511SURWB/S530-A3	14.22(0.5)	● Brilliant Red	8.13	CC	624	White	Black	1.4 / 3.0

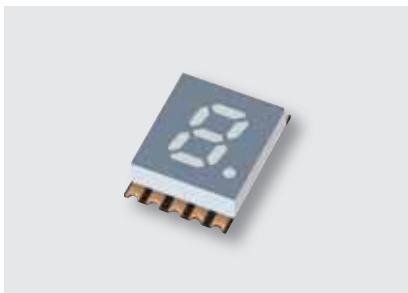


UNIT : mm

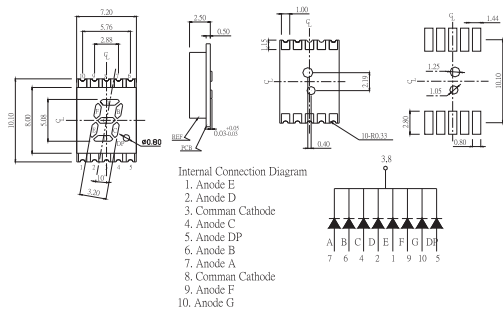


Product	Segment Height mm (inch)	Color	Segment Width	CC/CA	λ_d (nm)	Resin Color	Face Color	I_v (Min/Typ) (mcd)
F512SURWA/S530-A3	14.22 (0.5)	● Brilliant Red	8.13	CA	624	White	Gray	7.8 / 15
F512SYGWA/S530-E2	14.22 (0.5)	● Brilliant Yellow Green	8.13	CA	573	White	Gray	2.8 / 4.5
F512SDRWB/S530-A3	14.22(0.5)	● Deep-Red	8.13	CA	639	White	Black	5.6 / 12.5

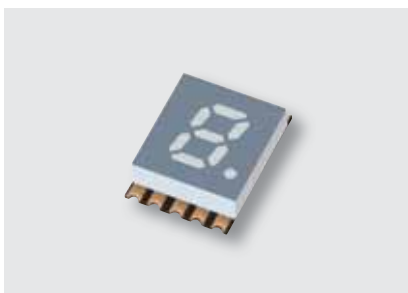
LED Digital Displays | SMD Display | Single Digit Display



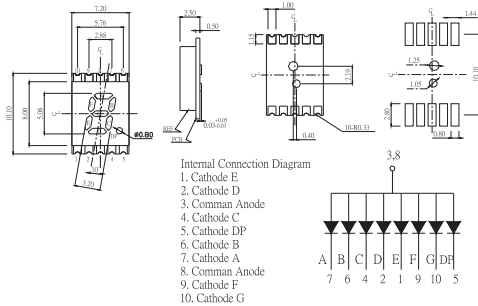
UNIT : mm



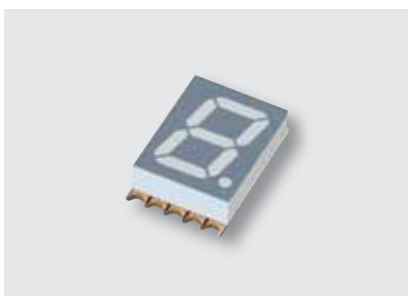
Product	Segment Height mm (inch)	Color	Segment Width	CC/CA	λ_d (nm)	Resin Color	Face Color	I_v (Min/Typ) (mcd)
SS205SURWA/S530-A4/S290	5.08 (0.2)	● Brilliant Red	3.2	CC	624	White	Gray	5.6 / 13.7
SS205UYOWA/S530-A3/S290	5.08 (0.2)	● Brilliant Orange	3.2	CC	605	White	Gray	7.8 / 13.3
SS205UYWA/S530-A3/S290	5.08 (0.2)	● Brilliant Yellow	3.2	CC	589	White	Gray	7.8 / 16.3
SS205SYGWA/S530-E2/S290	5.08 (0.2)	● Brilliant Yellow Green	3.2	CC	573	White	Gray	4 / 11.5



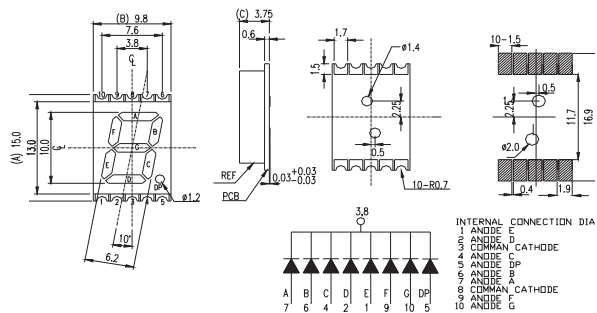
UNIT : mm



Product	Segment Height mm (inch)	Color	Segment Width	CC/CA	λ_d (nm)	Resin Color	Face Color	I_v (Min/Typ) (mcd)
SS206SURWA/S530-A3/S290	5.08 (0.2)	● Brilliant Red	3.2	CA	624	White	Gray	5.6 / 13.7
SS206UYWA/S530-A3/S290	5.08 (0.2)	● Brilliant Yellow	3.2	CA	589	White	Gray	7.8 / 16.7
SS206SYGWA/S530-E2/S290	5.08(0.2)	● Brilliant Yellow Green	3.2	CA	573	White	Gray	4.0 / 8.9
SS206USRWA/S530-A3/S290	5.08(0.2)	● Dark-Red	3.2	CA	631	White	Gray	4.0 / 8.9

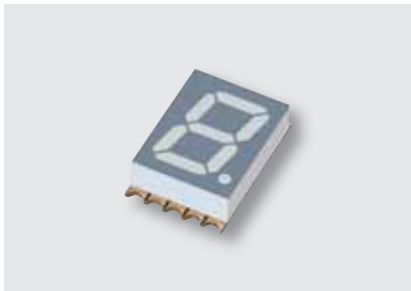


UNIT : mm

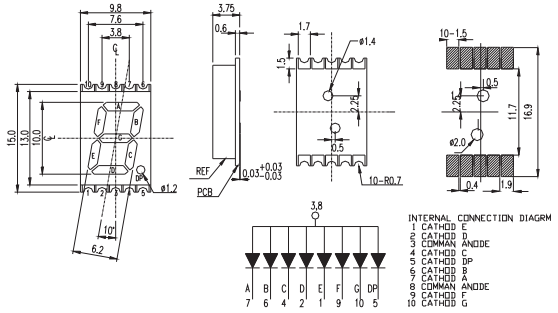


Product	Segment Height mm (inch)	Color	Segment Width	CC/CA	λ_d (nm)	Resin Color	Face Color	I_v (Min/Typ) (mcd)
SS405SURWB/S530-A3/S290	10 (0.4)	● Brilliant Red	6.2	CC	624	White	Black	7.8 / 16.5
SS405SYGWA/S530-E2	10(0.4)	● Brilliant Yellow Green	6.2	CC	573	White	Gray	5.6 / 12.5
SS405UBWA/C470/S290	10(0.4)	● Blue	6.2	CC	470	White	Gray	15.0 / 40.5

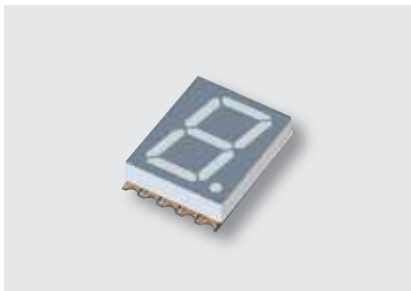
LED Digital Displays | SMD Display | Single Digit Display



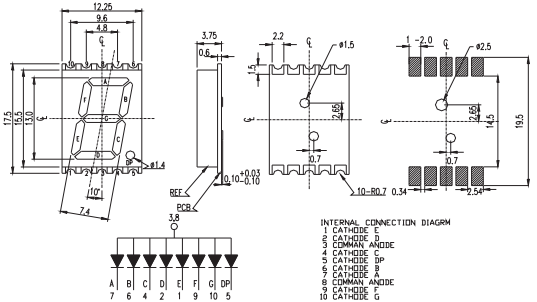
UNIT : mm



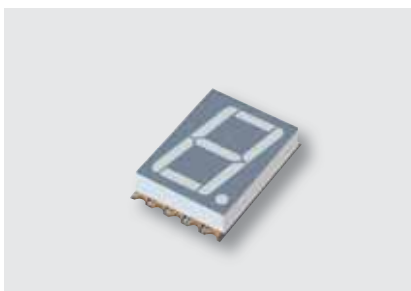
Product	Segment Height mm (inch)	Color	Segment Width	CC/CA	λ_d (nm)	Resin Color	Face Color	I_v (Min/Typ) (mcd)
SS406SURWA/S530-A4/S290	10 (0.4)	● Brilliant Red	6.2	CA	624	White	Gray	7.8 / 17.6
SS406SYGWA/S530-E2	10(0.4)	● Brilliant Yellow Green	6.2	CA	573	White	Gray	5.6 / 12.5
SS406UYWA/S530-A2/S290	10(0.4)	● Brilliant Yellow	6.2	CA	589	White	Gray	15.0 / 39.2
SS406USRWA/S530-A3/S290	10(0.4)	● Dark-Red	6.2	CA	631	White	Gray	5.6 / 12.5
SS406UBWA/C470/S290	10 (0.4)	● Blue	6.2	CA	470	White	Gray	15.0 / 40.5
SS406UYOWA/S530-A3/S290	10 (0.4)	● Brilliant Orange	6.2	CA	605	White	Gray	11.0 / 24.0
SS406UWWA/S290	10 (0.4)	○ Pure White	6.2	CA	X 0.270 / 0.310 Y 0.222 / 0.343	White	Gray	30.0 / 67.0



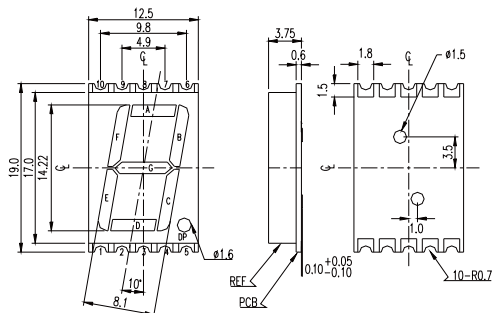
UNIT : mm



Product	Segment Height mm (inch)	Color	Segment Width	CC/CA	λ_d (nm)	Resin Color	Face Color	I_v (Min/Typ) (mcd)
SS506SYGWA/S530-E2	13.0 (0.5)	● Brilliant Yellow Green	7.4	CA	573	White	Gray	5.6 / 9.1
SS506SURWA/S530-A4/S290	13.0 (0.5)	● Brilliant Red	7.4	CA	624	White	Gray	7.8 / 15.0
SS506USOWA/S530-A3/S290	13.0 (0.5)	● Reddish Orange	7.4	CA	615	White	Gray	15.0 / 32.5
SS506UYOWA/S530-A3/S290	13.0 (0.5)	● Brilliant Orange	7.4	CA	605	White	Gray	15.0 / 43.3

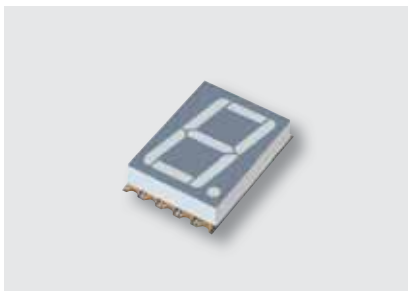


UNIT : mm

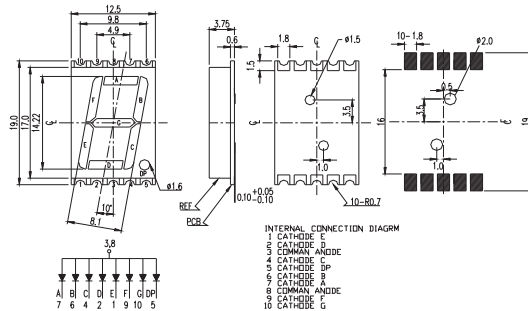


Product	Segment Height mm (inch)	Color	Segment Width	CC/CA	λ_d (nm)	Resin Color	Face Color	I_v (Min/Typ) (mcd)
SS511SURWA/S530-A3/S290	14.22 (0.5)	● Brilliant Red	8.1	CC	624	White	Gray	15 / 23
SS511SYGWA/S530-E2/S290	14.22 (0.5)	● Brilliant Yellow Green	8.1	CC	573	White	Gray	4 / 10.8
SS511UBWA/C470	14.22(0.5)	● Blue	8.1	CC	470	White	Gray	11.0 / 24.0

LED Digital Displays | SMD Display | Single Digit Display

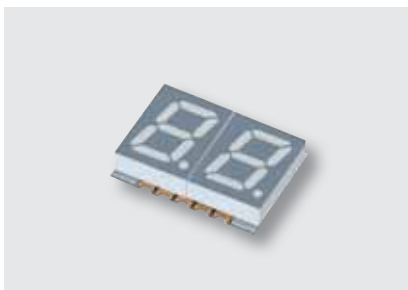


UNIT : mm

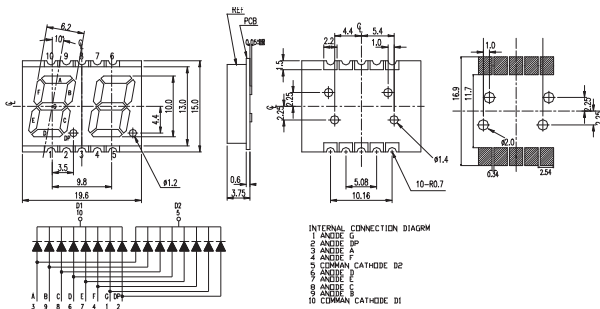


Product	Segment Height mm (inch)	Color	Segment Width	CC/CA	λ_d (nm)	Resin Color	Face Color	I_v (Min/Typ) (mcd)
SS512SURWA/S530-A3/S290	14.22 (0.5)	● Brilliant Red	8.1	CA	624	White	Gray	11 / 21.8
SS512UBWA/C470/S290	14.22 (0.5)	● Blue	8.1	CA	470	White	Gray	15 / 28.6
SS512SYGWA/S530-E2	14.22(0.5)	● Brilliant Yellow Green	8.1	CA	573	White	Gray	4.0 / 8.9
SS512UYWA/S530-A2/S290	14.22(0.5)	● Brilliant Yellow	8.1	CA	589	White	Gray	15.0 / 34.0

LED Digital Display | SMD Display | Dual Digit Display



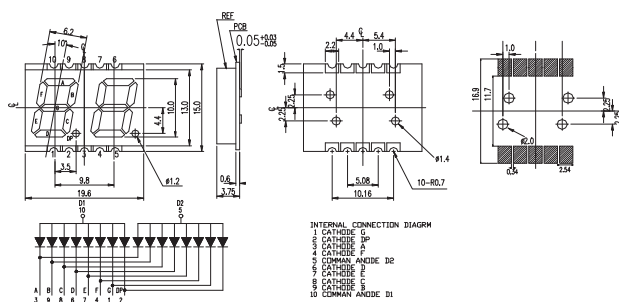
UNIT : mm



Product	Segment Height mm (inch)	Color	Segment Width	CC/CA	λ_d (nm)	Resin Color	Face Color	I_v (Min/Typ) (mcd)
SD405SURWA/S530-A3/S290	10 (0.4)	● Brilliant Red	6.2	CC	624	White	Gray	7.8 / 17.1
SD405SYGWA/S530-E2	10(0.4)	● Brilliant Yellow Green	6.2	CC	573	White	Gray	5.6 / 12.5

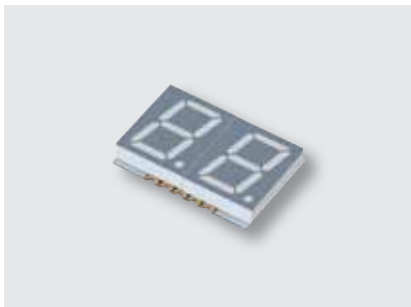


UNIT : mm

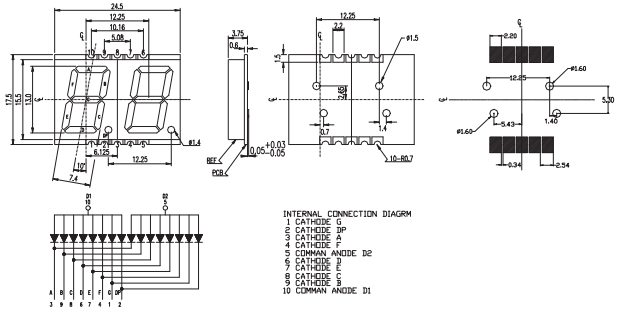


Product	Segment Height mm (inch)	Color	Segment Width	CC/CA	λ_d (nm)	Resin Color	Face Color	I_v (Min/Typ) (mcd)
SD406SURWA/S530-A4/S290	10 (0.4)	● Brilliant Red	6.2	CA	624	White	Gray	7.8 / 16.2
SD406SYGWA/S530-E2/S290	10 (0.4)	● Brilliant Yellow Green	6.2	CA	573	White	Gray	5.6 / 10.2

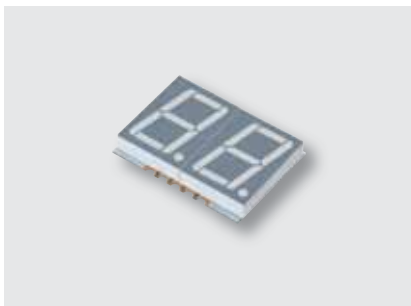
LED Digital Displays | SMD Display | Dual Digit Display



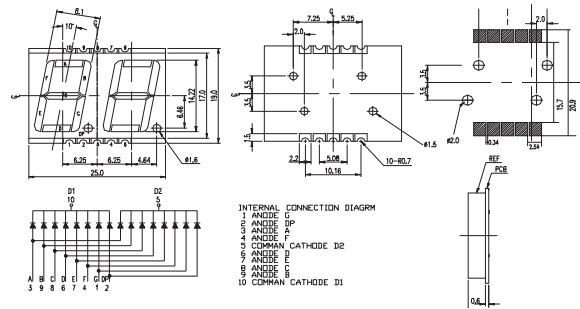
UNIT : mm



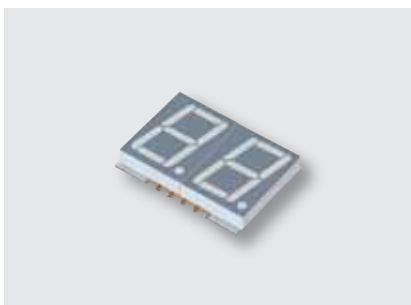
Product	Segment Height mm (inch)	Color	Segment Width	CC/CA	λ_d (nm)	Resin Color	Face Color	I_V (Min/Typ) (mcd)
SD506SURWA/S530-A4/S290	13 (0.5)	● Brilliant Red	7.4	CA	624	White	Gray	7.8 / 15



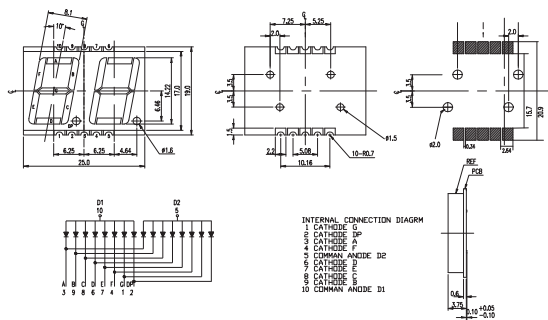
UNIT : mm



Product	Segment Height mm (inch)	Color	Segment Width	CC/CA	λ_d (nm)	Resin Color	Face Color	I_V (Min/Typ) (mcd)
SD511SYGWA/S530-E2/S290	14.22 (0.5)	● Brilliant Yellow Green	8.1	CC	573	White	Gray	5.6 / 11.12



UNIT : mm

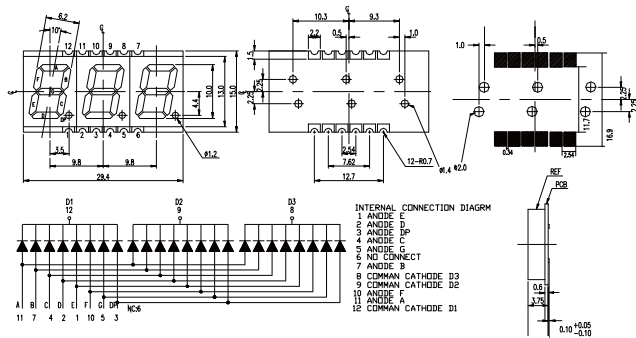


Product	Segment Height mm (inch)	Color	Segment Width	CC/CA	λ_d (nm)	Resin Color	Face Color	I_V (Min/Typ) (mcd)
SD512SYGWA/S530-E2/S290	14.22 (0.5)	● Brilliant Yellow Green	8.1	CA	573	White	Gray	4 / 13.35

LED Digital Displays | SMD Display | Three Digit Display



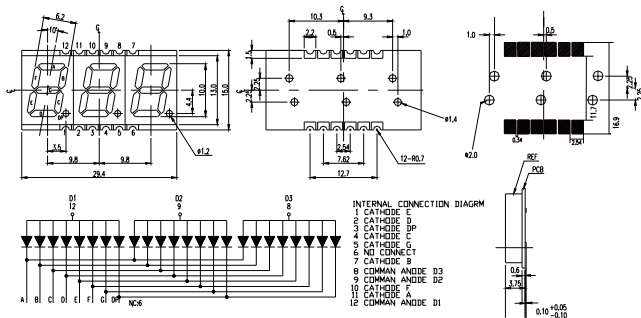
UNIT : mm



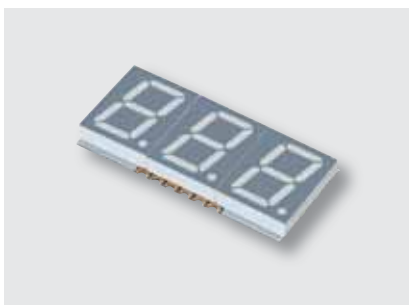
Product	Segment Height mm (inch)	Color	Segment Width	CC/CA	λ_d (nm)	Resin Color	Face Color	I_v (Min/Typ) (mcd)
ST405SURWA/S530-A3/S290	10 (0.4)	● Brilliant Red	6.2	CC	624	White	Gray	7.8 / 16.4
ST405SYGWA/S530-E2	10(0.4)	● Brilliant Yellow Green	6.2	CC	573	White	Gray	4.0 / 8.9
ST405UYOWA/S530-A3/S290	10(0.4)	● Brilliant Orange	6.2	CC	605	White	Gray	18.0 / 34.0
ST405SUGWA/S530-A4/S290	10(0.4)	● Brilliant Green	6.2	CC	525	White	Gray	21.0 / 48.0



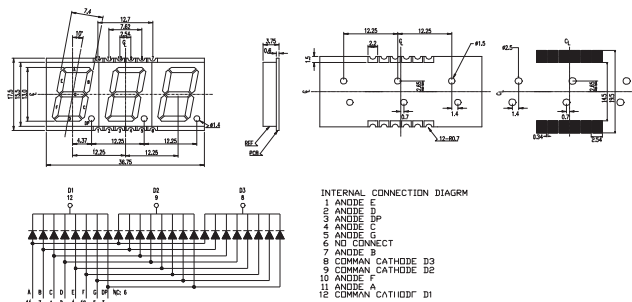
UNIT : mm



Product	Segment Height mm (inch)	Color	Segment Width	CC/CA	λ_d (nm)	Resin Color	Face Color	I_v (Min/Typ) (mcd)
ST406SURWA/S530-A3/S290	10 (0.4)	● Brilliant Red	6.2	CA	624	White	Gray	7.8 / 16.4
ST406SYGWA/S530-E2	10(0.4)	● Brilliant Yellow Green	6.2	CA	573	White	Gray	4.0 / 8.9

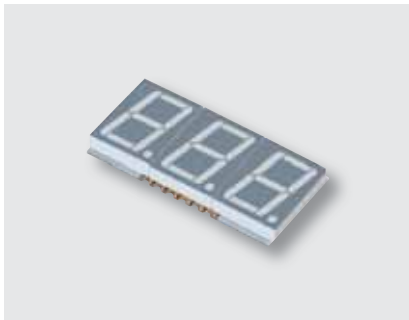


UNIT : mm

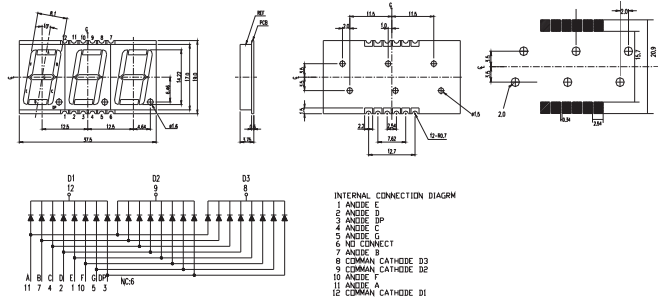


Product	Segment Height mm (inch)	Color	Segment Width	CC/CA	λ_d (nm)	Resin Color	Face Color	I_v (Min/Typ) (mcd)
ST505SYGWA/S530-E2/S290	13 (0.5)	● Brilliant Yellow Green	7.4	CC	573	White	Gray	4 / 9.6

LED Digital Displays | SMD Display | Three Digit Display



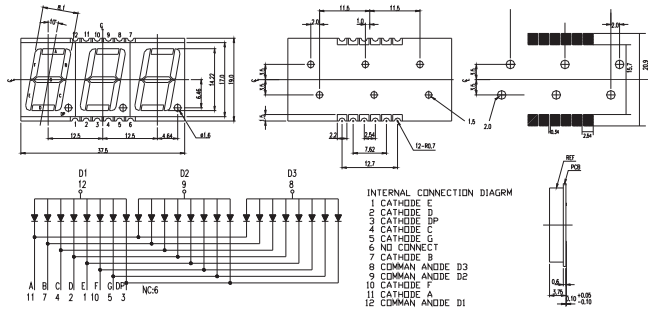
UNIT : mm



Product	Segment Height mm (inch)	Color	Segment Width	CC/CA	λ_d (nm)	Resin Color	Face Color	I_v (Min/Typ) (mcd)
ST511SYGWA/S530-E2/S290	14.22 (0.5)	● Brilliant Yellow Green	8.1	CC	573	White	Gray	4 / 9.6



UNIT : mm

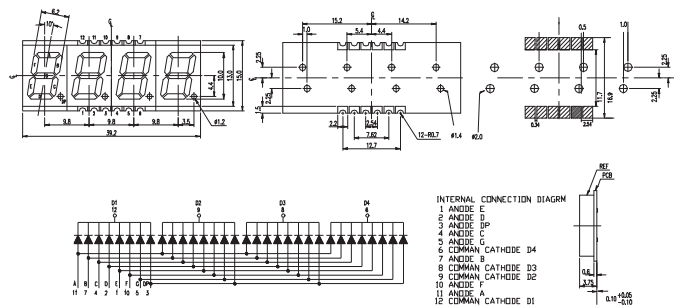


Product	Segment Height mm (inch)	Color	Segment Width	CC/CA	λ_d (nm)	Resin Color	Face Color	I_v (Min/Typ) (mcd)
ST512SURWA/S530-A3/S290	14.22 (0.5)	● Brilliant Red	8.1	CA	624	White	Gray	7.8 / 21.6
ST512SYGWA/S530-E2/S290	14.22 (0.5)	● Brilliant Yellow Green	8.1	CA	573	White	Gray	7.8 / 16.4
ST512UBWA/C470/S290	14.22(0.5)	● Blue	8.1	CA	470	White	Gray	15.0 / 37.2

LED Digital Displays | SMD Display | Four Digit Display



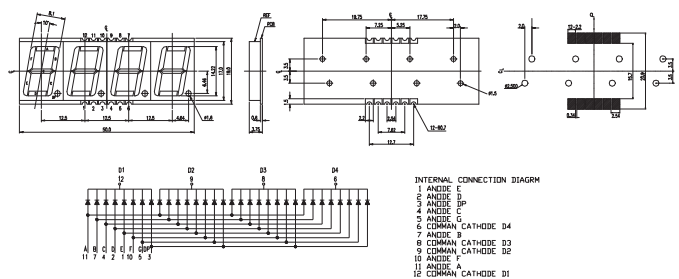
UNIT : mm



Product	Segment Height mm (inch)	Color	Segment Width	CC/CA	λ_d (nm)	Resin Color	Face Color	I_v (Min/Typ) (mcd)
SF405SURWA/S530-A3/S290	10 (0.4)	● Brilliant Red	6.2	CC	624	White	Gray	7.8 / 16.4
SF405SYGWA/S530-E2/S290	10 (0.4)	● Brilliant Yellow Green	6.2	CC	573	White	Gray	5.6 / 12.52
SF405UYOWA/A3/S290	10(0.4)	● Brilliant Orange	6.2	CC	605	White	Gray	11.0 / 24.0



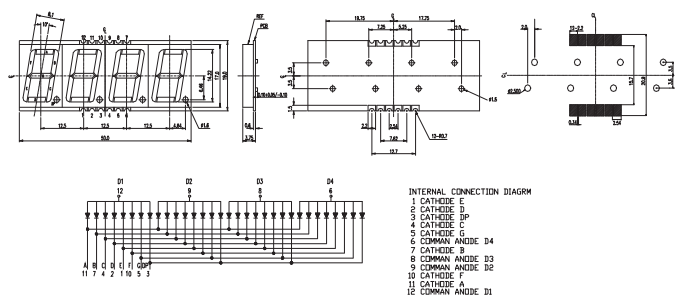
UNIT : mm



Product	Segment Height mm (inch)	Color	Segment Width	CC/CA	λ_d (nm)	Resin Color	Face Color	I_v (Min/Typ) (mcd)
SF511SURWA/S530-A3/S290	14.22 (0.5)	● Brilliant Red	8.1	CC	624	White	Gray	11 / 23.4
SF511SYGWA/S530-E2/S796	14.22 (0.5)	● Brilliant Yellow Green	8.1	CC	573	White	Gray	4 / 8.9



UNIT : mm

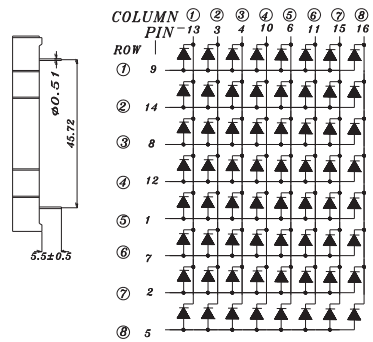
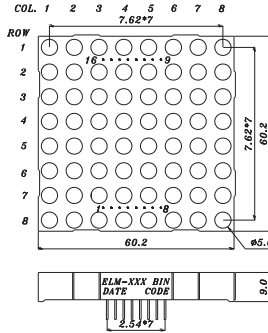


Product	Segment Height mm (inch)	Color	Segment Width	CC/CA	λ_d (nm)	Resin Color	Face Color	I_v (Min/Typ) (mcd)
SF512SURWA/S530-A3/S290	14.22 (0.5)	● Brilliant Red	8.1	CA	624	White	Gray	11 / 27.8
SF512SYGWA/S530-E2/S290	14.22 (0.5)	● Brilliant Yellow Green	8.1	CA	573	White	Gray	4 / 10.8

LED Digital Displays | Dot Matrix Display



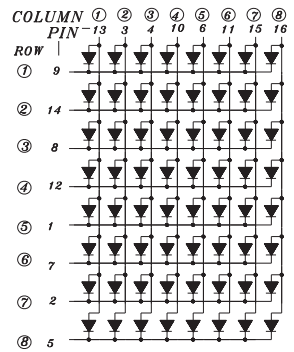
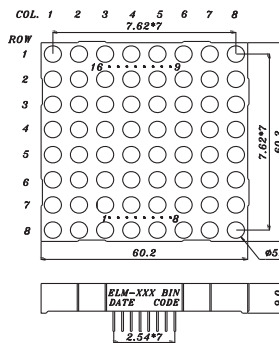
UNIT : mm



Product	Size (LxWmm)	Color	Segment Width	CC/CA	λ_d (nm)	Resin Color	Face Color	I_v (Min/Typ) (mcd)
M2881SURWA/S530-A3	60.2x60.2	● Brilliant Red	--	CC	624	White	Gray	7.8 / 21
M2881SYGWA/S530-E2	60.2x60.2	● Brilliant Yellow Green	--	CC	573	White	Gray	7.8 / 17.6
M2881UYWA/S530-A3	60.2x60.2	● Brilliant Yellow	--	CC	589	White	Gray	11 / 17.6



UNIT : mm

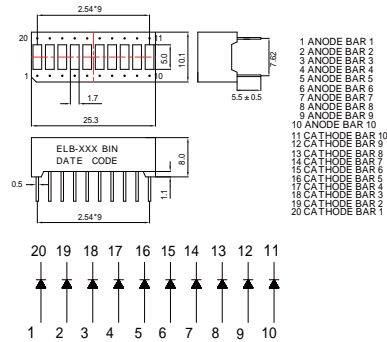


Product	Size (LxWmm)	Color	Segment Width	CC/CA	λ_d (nm)	Resin Color	Face Color	I_v (Min/Typ) (mcd)
M2882SURWA/S530-A3	60.2x60.2	● Brilliant Red	--	CA	624	White	Gray	7.8 / 21.0
M2882SYGWA/S530-E2	60.2x60.2	● Brilliant Yellow Green	--	CA	573	White	Gray	7.8 / 17.6

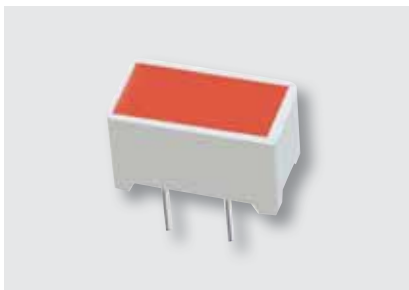
LED Digital Displays | Light Bar Display



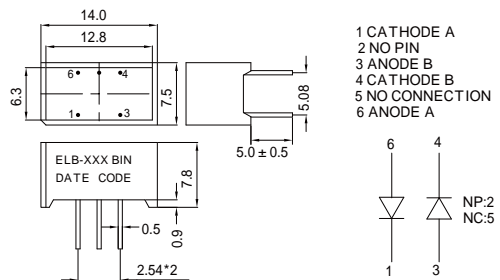
UNIT : mm



Product	Size (LxWmm)	Color	Segment Width	CC/CA	λ_d (nm)	Resin Color	Face Color	I_v (Min/Typ) (mcd)
B1001SDRWB/S530-A3	25.3x10.1	● Deep Red	--	CC	639	White	Black	4 / 8.9
B1001SURWB/S530-A3	25.3x10.1	● Brilliant Red	--	CC	624	White	Black	5.6 / 12.5
B1001USOWA/S530-A4	25.3x10.1	● Reddish Orange	--	CC	615	White	Gray	7.8 / 17.6
B1001SYGWA/S530-E2	25.3x10.1	● Brilliant Yellow Green	--	CC	573	White	Gray	2.8 / 4.5



UNIT : mm

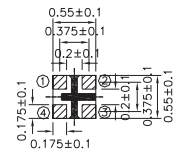
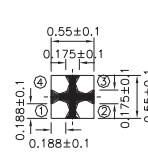
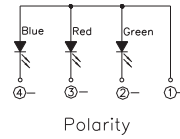
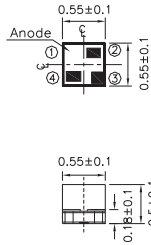


Product	Size (LxWmm)	Color	Segment Width	CC/CA	λ_d (nm)	Resin Color	Face Color	I_v (Min/Typ) (mcd)
B1010SURD/S530-A3	14.0x7.5	● Brilliant Red	--	CA	624	Red	Red	11 / 24
B1010SYGD/S530-E3	14.0x7.5	● Brilliant Yellow Green	--	CA	573	Green	--	2.8 / 6.4
B1010SUYD/S530-A3	14.0x7.5	● Brilliant Yellow	--	CA	589	Yellow	--	15 / 34

Signage LED | Surface Mount Chip LED (PCB)



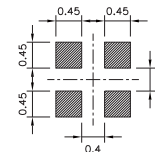
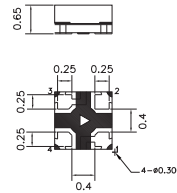
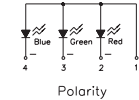
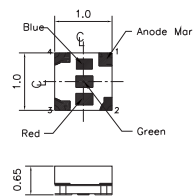
UNIT : mm



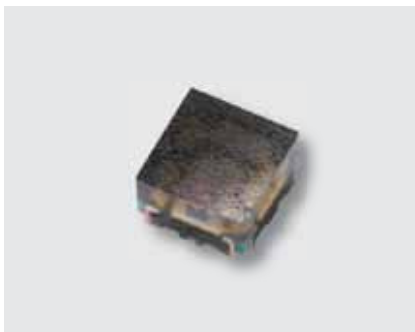
Product	Size (LxWxHmm)	Color	λ_d (nm)	Typ. I_v (mcd)	V_F (V)		I_F (mA)	Viewing Angle (°)
					Typ.	Max.		
18-035S/GAR6BDSY-S01/10R	0.55x0.55x0.5 (4-pin)	Red	616~631	22	2.0	2.3	5	120
		Green	515~533	65	3.3	3.6		
		Blue	462~477	15.8	3.3	3.6		



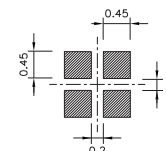
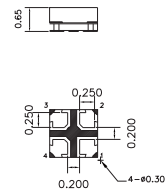
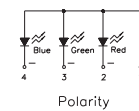
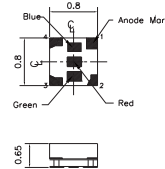
UNIT : mm



Product	Size (LxWxHmm)	Color	λ_d (nm)	Typ. I_v (mcd)	V_F (V)		I_F (mA)	Viewing Angle (°)
					Typ.	Max.		
18-038BT/BDGAR6S1-S06/10T	1.0x1.0x0.65 (4-pin)	Red	616~631	20.1	2.0	2.35	5	120
		Green	517~538	48	3	3.7		
		Blue	462~480	14.9	3	3.7		



UNIT : mm

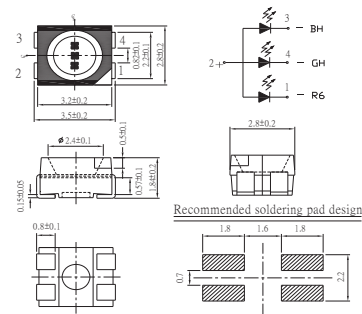


Product	Size (LxWxHmm)	Color	λ_d (nm)	Typ. I_v (mcd)	V_F (V)		I_F (mA)	Viewing Angle (°)
					Typ.	Max.		
18-039B/BDGAR6S1-S08/10T	0.8x0.8x0.65 (4-pin)	Red	616~631	12.6	2.0	2.4	5	120
		Green	517~538	48	3.3	3.7		
		Blue	462~480	12.4	3.3	3.7		

Signage LED | Surface Mount PLCC LED (Reflector)



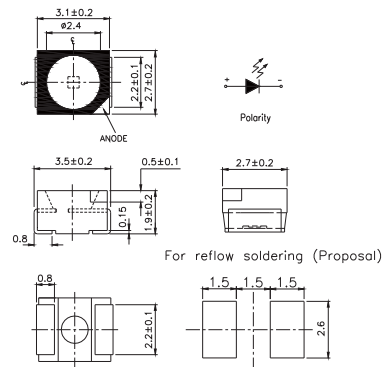
UNIT : mm



Product	Size (LxWxHmm)	Color	λ_d (nm)	Typ. I_v (mcd)	V_F (V)		I_F (mA)	Viewing Angle (°)
					Typ.	Max.		
67-03A/R6GHBHW-A01/2T/MS	3.5x2.8x1.8	Red	620.5~627.5	226	2.0	2.6	20	120
		Green	518~533	1000	3.2	3.6		
		Blue	461.5~471.5	230	3.2	3.6		



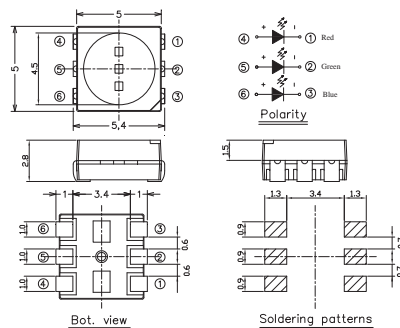
UNIT : mm



Product	Size (LxWxHmm)	Color	λ_d (nm)	Typ. I_v (mcd)	V_F (V)		I_F (mA)	Viewing Angle (°)
					Typ.	Max.		
67-01/Y2W-MV1W1/2T/MS	2.8X3.5X1.9 (2 pin)	Yellow	585-595	1067.5	2	2.40	20	120



UNIT : mm



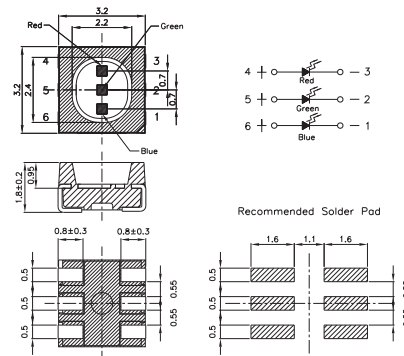
Product	Size (LxWxHmm)	Color	λ_d (nm)	Typ. I_v (mcd)	V_F (V)		I_F (mA)	Viewing Angle (°)
					Typ.	Max.		
HN0507	5.0x5.0x2.8	Red	617~629	1020	2.2	2.7	20	120
		Green	522~537	1760	3.2	3.7		
		Blue	460~475	385	3.2	3.7		

• Product Availability : Please visit EVERLIGHT website for more updated information (www.everlight.com) or contact EVERLIGHT sales for regional options.

Signage LED | Surface Mount PLCC LED (Reflector)



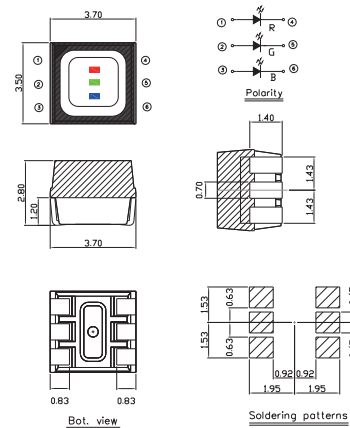
UNIT : mm



Product	Size (LxWxHmm)	Color	λ_d (nm)	Typ. I_v (mcd)	V_F (V)		I_F (mA)	Viewing Angle (°)
					Typ.	Max.		
HN0325	3.2x3.2x1.8	Red	620~629	667.5	2.0	2.55	20	120
		Green	520~534	1627.5	3.2	3.35		
		Blue	462~474	382.5	3.2	3.35		



UNIT : mm



For outdoor

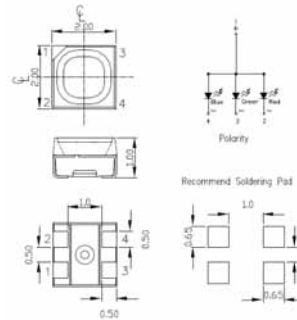
Product	Size (LxWxHmm)	Color	λ_d (nm)	Typ. I_v (mcd)	V_F (V)		I_F (mA)	Viewing Angle (°)
					Typ.	Max.		
HNB353	3.5x3.5x2.8 (6-pin)	Red	618~630	727.5	2.0	2.6	20	120
		Green	520~535	2610	3.2	3.6		
		Blue	462~477	627.5	3.2	3.6		

• Product Availability : Please visit EVERLIGHT website for more updated information (www.everlight.com) or contact EVERLIGHT sales for regional options.

Signage LED | Surface Mount PLCC LED (Reflector)



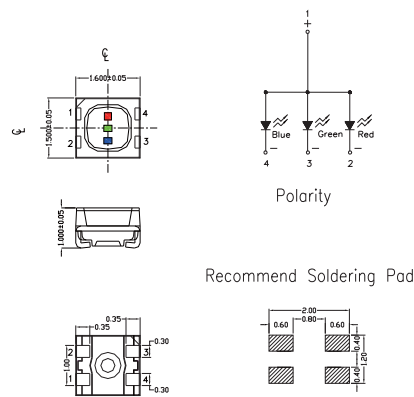
UNIT : mm



Product	Size (LxWxHmm)	Color	λ_d (nm)	Typ. I_v (mcd)	V_F (V)		I_F (mA)	Viewing Angle (°)
					Typ.	Max.		
602-B23/RWGDBBW1-S01/2T	2.0X2.0X1.0 (4 pin)	● Red	615-629	78.5	2.0	2.30	20	120
		● Green	519-534	220	3.2	3.7		
		● Blue	461-473	51.5	3	3.4		

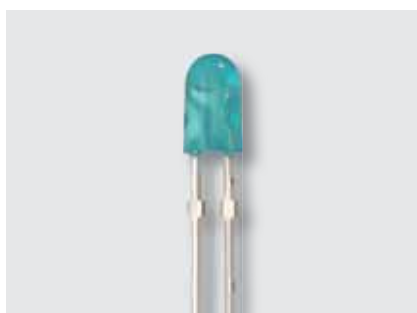


UNIT : mm

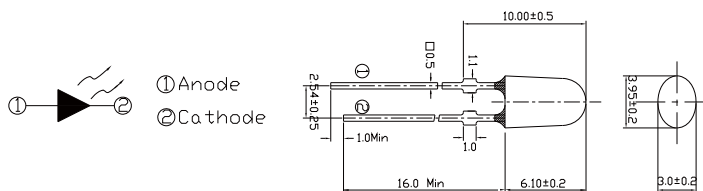


Product	Size (LxWxHmm)	Color	λ_d (nm)	Typ. I_v (mcd)	V_F (V)		I_F (mA)	Viewing Angle (°)
					Typ.	Max.		
601-B23/RWGDBBW1-S01/2T	1.5X1.6X1.0 (4pin)	● Red	616-628	81.5	2.0	2.30	20	120
		● Green	513-534	195.5	3.2	3.7		
		● Blue	456-477	51.5	3	3.4		

Signage LED | Lamp Type LED | 3mm Oval Type



UNIT : mm



Product	Size (LxWxHmm)	Color	Lens Type	λ_d (nm)	Typ. I_v (mcd)	V_F (V)		I_F (mA)	Viewing Angle (°)
						Typ.	Max.		
3474BHR	3.2X4.1X6.3	● Red	Oval	619-628	1080	2.2	2.6	20	110 / 60
3474BHG	3.2X4.1X6.3	● Green	Oval	525-534	2595	3.2	3.6	20	110 / 60
3474BHB	3.2X4.1X6.3	● Blue	Oval	465-474	645	3.2	3.6	20	110 / 60
3474ELR	3.2X4.1X6.3	● Red	Oval	619-627	977	2	2.3	15	110 / 60
3474ELG	3.2X4.1X6.3	● Green	Oval	518-527	2315	3	3.3	15	110 / 60
3474ELB	3.2X4.1X6.3	● Blue	Oval	468-474	370	3	3.3	10	110 / 60

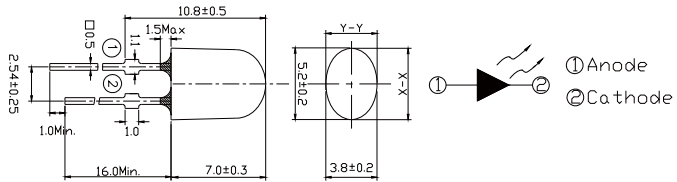
• Product Availability : Please visit EVERLIGHT website for more updated information (www.everlight.com) or contact EVERLIGHT sales for regional options.

Signage LED | Lamp Type LED | 5mm Oval Type



UNIT : mm

(With Stopper)

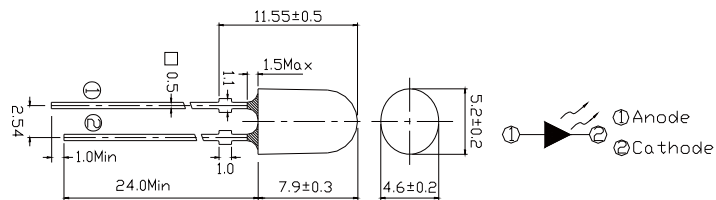


Product	Size (LxWxHmm)	Color	Lens Type	λ_d (nm)	Typ. I_v (mcd)	V_F (V)		I_F (mA)	Viewing Angle (°)
						Typ.	Max.		
5484BN/R7DC-AGJB/P/MS	5.2x3.8x7.0	Red	Oval	619-628	1290	2.2	2.4	20	110 / 40
5484BN/R7DC-AHJB/P/MS	5.2x3.8x7.0	Red	Oval	619-628	1630	2.2	2.4	20	110 / 40
5484BN/GADC-ALMA/P/MS	5.2x3.8x7.0	Green	Oval	525-535	3105	3.2	3.6	20	110 / 40
5484BN/GADC-AMNA/P/MS	5.2x3.8x7.0	Green	Oval	525-535	3925	3.2	3.6	20	110 / 40
5484BN/BADC-AFHA/P/MS	5.2x3.8x7.0	Blue	Oval	465-475	775	3.2	3.6	20	110 / 40
5484BN/BADC-AGJA/P/MS	5.2x3.8x7.0	Blue	Oval	465-475	1085	3.2	3.6	20	110 / 40



UNIT : mm

(With Stopper)

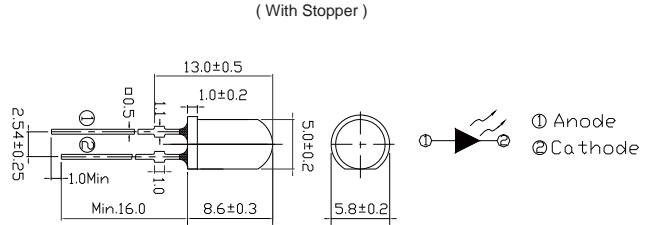


Product	Size (LxWxHmm)	Color	Lens Type	λ_d (nm)	Typ. I_v (mcd)	V_F (V)		I_F (mA)	Viewing Angle (°)
						Typ.	Max.		
6364/GADA-ANQA/P/MS	5.2x4.6x7.9	Green	Oval	525-535	3375	3.2	3.6	20	70 / 40
6364/GADA-AQSA/P/MS	5.2x4.6x7.9	Green	Oval	525-535	5375	3.2	3.6	20	70 / 40
6364/BADA-AHKA/P/MS	5.2x4.6x7.9	Blue	Oval	465-475	1070	3.2	3.6	20	70 / 40
6364/BADA-AKMA/P/MS	5.2x4.6x7.9	Blue	Oval	465-475	1425	3.2	3.6	20	70 / 40
6374/R7DA-AJKB/P/MS	5.2x4.6x7.9	Red	Oval	619-628	2240	2.0	2.6	20	65 / 40
6374/R7DA-AKMB/P/MS	5.2x4.6x7.9	Red	Oval	619-628	1425	2.0	2.6	20	65 / 40
6374/Y7DA-AJKB/P/MS	5.2x4.6x7.9	Yellow	Oval	586-594	2240	2.0	2.6	20	65 / 40
6374/Y7DA-ALNB/P/MS	5.2x4.6x7.9	Yellow	Oval	586-594	2137.5	2.0	2.6	20	65 / 40

Signage LED | Lamp Type LED | 5mm Round Type



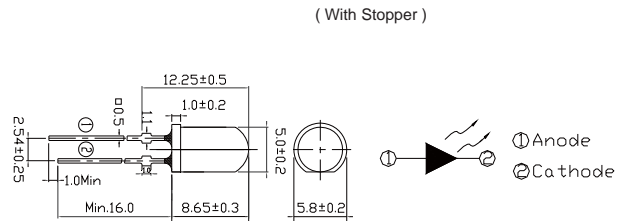
UNIT : mm



Product	Size (LxWxHmm)	Color	Lens Type	λ_d (nm)	Typ. I_v (mcd)	V_F (V)		I_F (mA)	Viewing Angle (°)
						Typ.	Max.		
333/R7C1-AUWB/P/MS	5.0x5.0x8.6	Red	Clear	619-628	11250	2.0	2.6	20	10
333/Y7C1-ATWB/P/MS	5.0x5.0x8.6	Yellow	Clear	586-594	12575	2.0	2.6	20	15
333/G1C1-AWYA/MS	5.0x5.0x8.6	Green	Clear	525-535	18000	3.2	3.6	20	15
333/B1C1-ARUA/MS	5.0x5.0x8.6	Blue	Clear	465-475	7150	3.2	3.6	20	15



UNIT : mm

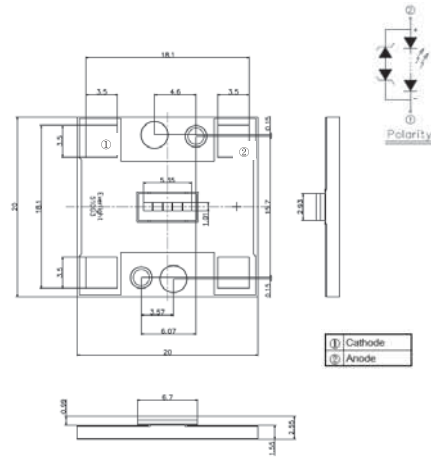


Product	Size (LxWxHmm)	Color	Lens Type	λ_d (nm)	Typ. I_v (mcd)	V_F (V)		I_F (mA)	Viewing Angle (°)
						Typ.	Max.		
7383/R7C3-AQSB/P/MS	5.0x5.0x8.7	Red	Clear	619-628	4000	2.0	2.6	20	30
7383/R7C3-ARUB/P/MS	5.0x5.0x8.7	Red	Clear	619-628	7150	2.0	2.6	20	30
7383/Y7C3-AQSB/P/MS	5.0x5.0x8.7	Yellow	Clear	586-594	4500	2.0	2.6	20	30
7383/Y7C3-ARUB/P/MS	5.0x5.0x8.7	Yellow	Clear	586-594	7150	2.0	2.6	20	30
7383/G1C3-ATVA/P/MS	5.0x5.0x8.7	Green	Clear	525-535	9000	3.2	3.6	20	30
7383/V7C3-ARTA/P/MS	5.0x5.0x8.7	Green	Clear	505	6300	3.2	3.6	20	30
7383/BAC3-ANQA/P/MS	5.0x5.0x8.7	Blue	Clear	465-475	3600	3.2	3.6	20	30
7343/R7D5-AHKB/P/MS	5.0x5.0x8.7	Red	Diffused	619-628	900	2.2	2.6	20	55
7343/GAD5-ANQA/P/MS	5.0x5.0x8.7	Green	Diffused	525-535	2850	3.2	3.6	20	50
7343/BAD5-AGJA/P/MS	5.0x5.0x8.7	Blue	Diffused	465-475	715	3.2	3.6	20	50
7343/R7C2-AQSB/P/MS	5.0x5.0x8.7	Red	Clear	619-628	4500	2.0	2.6	20	25
7343/Y7C2-AQSB/P/MS	5.0x5.0x8.7	Yellow	Clear	586-594	4500	2.0	2.6	20	25
7344/V7C2-ASVA/P/MS	5.0x5.0x8.7	Green	Clear	505	9000	3.2	3.6	20	23

Automotive LED | Exterior Application | High Power LED



UNIT : mm



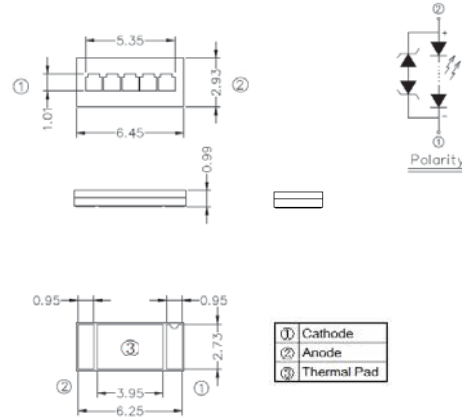
Head Lamp

Product	Size (LxWxHmm)	Color	CCT(K)	I _v Min. (lm)	I _v Max. (lm)	V _F Min. (V)	V _F Max. (V)	I _F (mA)	Viewing Angle (°)
*ARG5M-WZ-64D53AP3P7AC2-AC-AM	20.0x20.0x2.55	○ White	5180~6680K	1100	1800	14	18	1000	120
*ARG4M-WZ-64D53AP2P5BC2-AC-AM	20.0x20.0x2.55	○ White	5180~6680K	1000	1500	12	15	1000	120
*ARG3M-WZ-64D53AN5P2CC2-AC-AM	20.0x20.0x2.55	○ White	5180~6680K	600	1100	9	12	1000	120
*ARG2M-WZ-64D53AN1N6DC2-AC-AM	20.0x20.0x2.55	○ White	5180~6680K	450	700	6	7	1000	120

Star Mark*: Preliminary Product Availability; Please visit EVERLIGHT website for more updated information (www.everlight.com) or contact EVERLIGHT sales for regional options.



UNIT : mm



Head Lamp

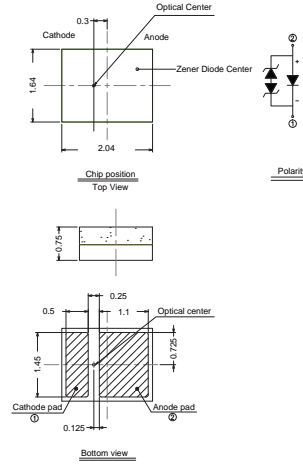
Product	Size (LxWxHmm)	Color	CCT(K)	I _v Min. (lm)	I _v Max. (lm)	V _F Min. (V)	V _F Max. (V)	I _F (mA)	Viewing Angle (°)
*ARG5C-WZ-64D53AP3P7AC2-TC-AM	6.45x2.93x0.99	○ White	5180~6680K	1100	1800	14	18	1000	120
*ARG4C-WZ-64D53AP2P5BC2-AT-AM	5.37x2.93x0.99	○ White	5180~6680K	1000	1500	12	15	1000	120
*ARG3C-WZ-64D53AN5P2CC2-AT-AM	4.28x2.93x0.99	○ White	5180~6680K	600	1100	9	12	1000	120
*ARG2C-WZ-64D53AN1N6DC2-AT-AM	3.7x2.93x0.99	○ White	5180~6680K	450	700	6	7	1000	120

Star Mark*: Preliminary Product Availability; Please visit EVERLIGHT website for more updated information (www.everlight.com) or contact EVERLIGHT sales for regional options.

Automotive LED | Exterior Application | High Power LED



UNIT : mm

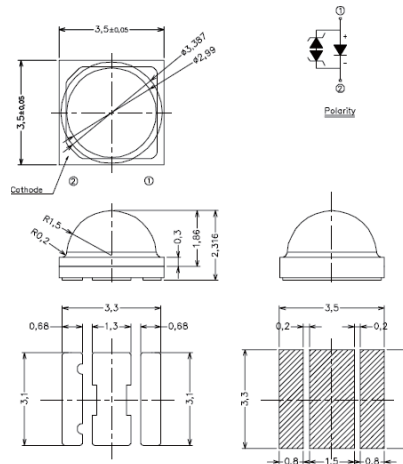


2016

Product	Size (LxWxHmm)	Color	λ_d (nm)/ CCT(K)	I_V Min. (lm)	I_V Max. (lm)	V_F Min. (V)	V_F Max. (V)	I_F (mA)	Viewing Angle (°)
ELCH08OG-NP53A64DJ7K32941Z70-F41H-AM	2.04x1.64x0.75	○ White	5180~6680K	160	300	2.95	4.15	700	120
ELCH08NU-URD1426F6J32133Z70-V41M-AM	2.04x1.64x0.75	● Red	614-626nm	60	130	2.15	3.35	700	120
ELCH08NU-NAY1Y1F9J72941Z70-H41M-AM	2.04x1.64x0.75	● PC-Amber	Y1	90	180	2.95	4.15	700	120



UNIT : mm



3535

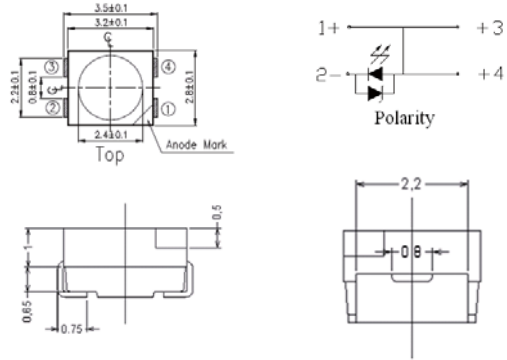
Product	Size (LxWxHmm)	Color	λ_d (nm)/ CCT(K)	I_V Min. (lm)	I_V Max. (lm)	V_F Min. (V)	V_F Max. (V)	I_F (mA)	Viewing Angle (°)
*3535CNU-NP53A64DF9J43040Z35-F41S-AM	3.5x3.5x2.316	○ White	5000~6500K	90	140	3.0	4.0	350	120
*3535CNU-URR3R4F6F71925Z35-41M-AM	3.5x3.5x2.316	● Red	610~620nm	60	80	1.9	2.5	350	120
*3535CNU-UYYAYBF6F82535Z35-F41S-AM	3.5x3.5x2.316	● PC-Amber	YA, YB	60	90	2.5	3.5	350	120

Star Mark*: Preliminary Product Availability; Please visit EVERLIGHT website for more updated information (www.everlight.com) or contact EVERLIGHT sales for regional options.

Automotive LED | Exterior Application | Low Power LED



UNIT : mm



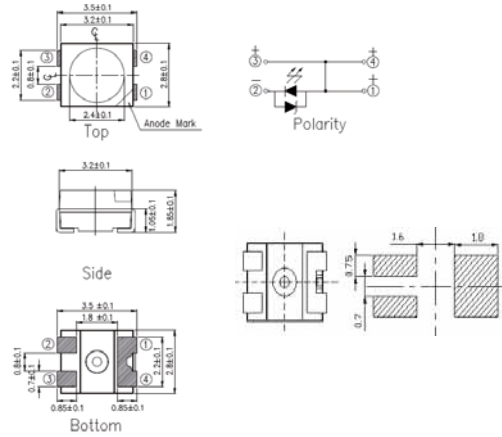
PLCC4

Product	Size (LxWxHmm)	Color	λ_d (nm)/ CCT(K)	I_v Min. (mcd)	I_v Max. (mcd)	V_F Min. (V)	V_F Max. (V)	I_F (mA)	Viewing Angle (°)
*67-41EUZ-NP56B64DBBDA2638Z3-2T0T-AM	3.5x2.8x1.85	○ White	5500~6680K	2240	5600	2.6	3.8	30	120
*67-41EU-URD1224BACB1828Z5-2T0C-AM	3.5x2.8x1.85	● Red	612~624nm	1800	4500	1.8	2.8	50	120
*67-41EU-UYD8395BACB1828Z5-2T0C-AM	3.5x2.8x1.85	● Yellow	583~595nm	1800	4500	1.8	2.8	50	120

Star Mark*: Preliminary Product Availability; Please visit EVERLIGHT website for more updated information (www.everlight.com) or contact EVERLIGHT sales for regional options.



UNIT : mm



PLCC3

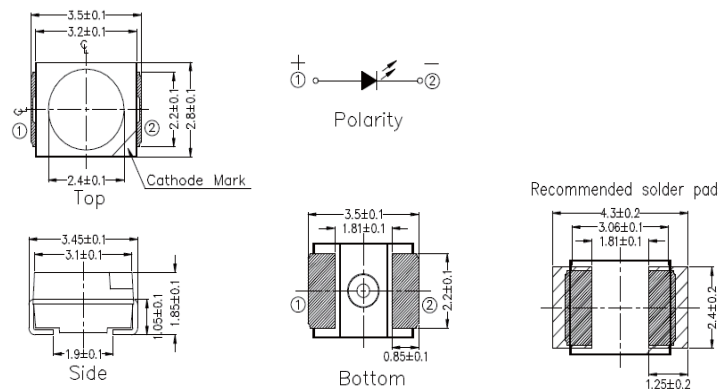
Product	Size (LxWxHmm)	Color	λ_d (nm)/ CCT(K)	I_v Min. (mcd)	I_v Max. (mcd)	V_F Min. (V)	V_F Max. (V)	I_F (mA)	Viewing Angle (°)
67-31EUZ-NP56B64DBBDA2638Z3-2T0T-AM	3.5x2.8x1.85	○ White	5500~6680K	2240	5600	2.6	3.8	30	120
67-31EU-URD1224BACB1828Z5-2T0C-AM	3.5x2.8x1.85	● Red	612~624nm	1800	4500	1.8	2.8	50	120
67-31EU-UYD8395BACB1828Z5-2T0C-AM	3.5x2.8x1.85	● Yellow	583~595nm	1800	4500	1.8	2.8	50	120

Automotive LED | Exterior Application | Low Power LED



PLCC2

UNIT : mm

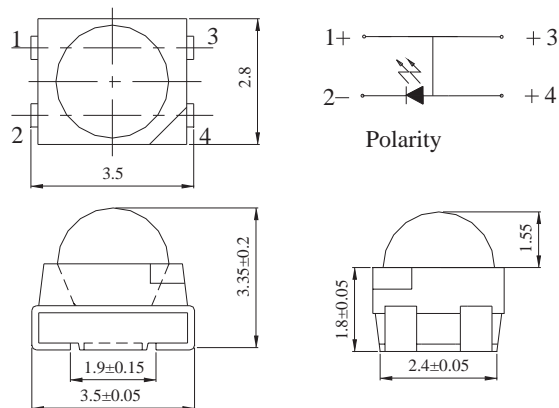


Product	Size (LxWxHmm)	Color	λ_d (nm)/ CCT(K)	I_v Min. (mcd)	I_v Max. (mcd)	V_F Min. (V)	V_F Max. (V)	I_F (mA)	Viewing Angle (°)
67-11U-NP56B64DBACB2638Z2-2T0T-AM	3.5x2.8x1.85	○ White	5500~6680K	1800	4500	2.6	3.8	20	120
67-21U-URD1224V1AB1828Z2-2T0C-AM	3.5x2.8x1.85	● Red	612~624nm	710	1800	1.8	2.8	20	120
67-21U-UYD8395V1AB1828Z2-2T0C-AM	3.5x2.8x1.85	● Yellow	583~595nm	710	1800	1.8	2.8	20	120



PLCC4 Lens 60°

UNIT : mm



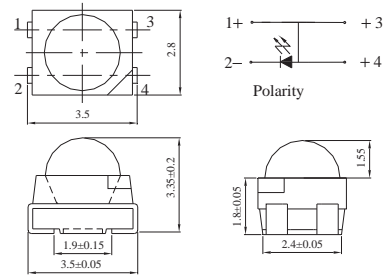
Product	Size (LxWxHmm)	Color	λ_d (nm)	I_v Min. (mcd)	I_v Max. (mcd)	V_F Min. (V)	V_F Max. (V)	I_F (mA)	Viewing Angle (°)
*67-41EP6-URD1224DAFAZ5-ET0D-AM	3.5x2.8x3.35	● Red	612~624nm	4500	14000	1.7	2.6	50	60
*67-41EP6-UYD8395DAFAZ5-ET0D-AM	3.5x2.8x3.35	● Yellow	583~595nm	4500	14000	1.7	2.6	50	60

Star Mark*: Preliminary Product Availability; Please visit EVERLIGHT website for more updated information (www.everlight.com) or contact EVERLIGHT sales for regional options.

Automotive LED | Exterior Application | Low Power LED



UNIT : mm



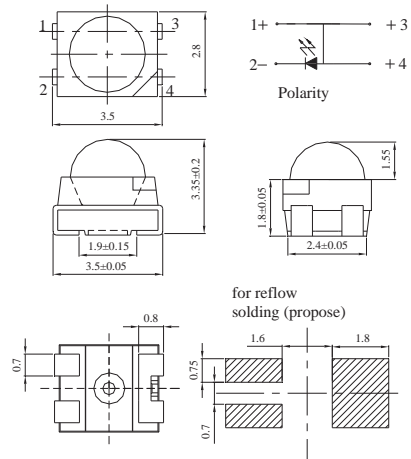
PLCC4 Lens 30°

Product	Size (LxWxHmm)	Color	λ_d (nm)	I_V Min. (mcd)	I_V Max. (mcd)	V_F Min. (V)	V_F Max. (V)	I_F (mA)	Viewing Angle (°)
*67-41EP3-URD1224DBFBZ5-ET0D-AM	3.5x2.8x3.35	● Red	612~624nm	5600	18000	1.7	2.6	50	30
*67-41EP3-UYD8395DBFBZ5-ET0D-AM	3.5x2.8x3.35	● Yellow	583~595nm	5600	18000	1.7	2.6	50	30

Star Mark*: Preliminary Product Availability; Please visit EVERLIGHT website for more updated information (www.everlight.com) or contact EVERLIGHT sales for regional options.



UNIT : mm



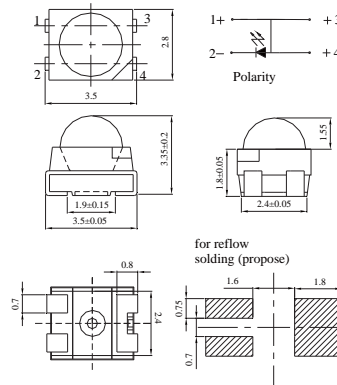
PLCC3 Lens 60°

Product	Size (LxWxHmm)	Color	λ_d (nm)	I_V Min. (mcd)	I_V Max. (mcd)	V_F Min. (V)	V_F Max. (V)	I_F (mA)	Viewing Angle (°)
67-31EP6-URD1224DAFAZ5-ET0D-AM	3.5x2.8x3.35	● Red	612~624nm	4500	14000	1.7	2.6	50	60
67-31EP6-UYD8395DAFAZ5-ET0D-AM	3.5x2.8x3.35	● Yellow	583~595nm	4500	14000	1.7	2.6	50	60

Automotive LED | Exterior Application | Low Power LED



UNIT : mm

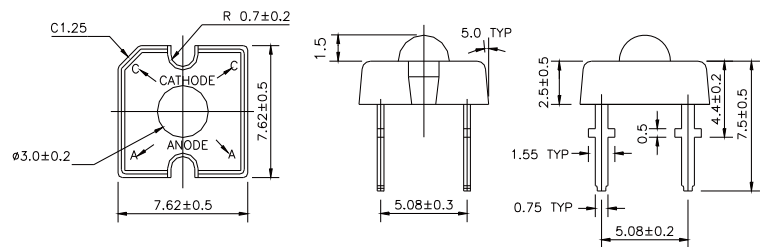


PLCC3 Lens 30°

Product	Size (LxWxHmm)	Color	λ_d (nm)/ CCT(K)	I_v Min. (mcd)	I_v Max. (mcd)	V_F Min. (V)	V_F Max. (V)	I_F (mA)	Viewing Angle (°)
67-31EP3-URD1224DBFBZ5-ET0D-AM	3.5x2.8x3.35	Red	612~624nm	5600	18000	1.7	2.6	50	30
67-31EP3-UYD8395DBFBZ5-ET0D-AM	3.5x2.8x3.35	Yellow	583~595nm	5600	18000	1.7	2.6	50	30



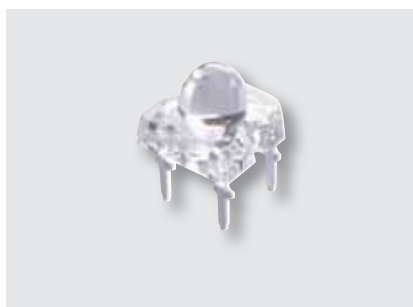
UNIT : mm



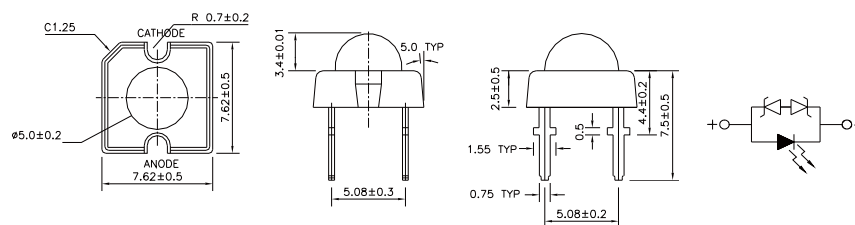
Super Flux 3mm

Product	Size (LxWxH)	Color	λ_d (nm)/	I_v Min. (mcd)	I_v Max. (mcd)	V_F Min. (V)	V_F Max. (V)	I_F (mA)	Viewing Angle (°)
30-01-B74-S3NC-C6T1U1DH-AM	7.62x7.62x9.0	Red	611~620nm	7150	14250	1.9	2.9	70	80
30-01-B84-RFC-D4T1U1DH-AM	7.62x7.62x9.0	Red	620~632nm	7150	14250	1.9	2.9	70	85
30-01-B84-YSC-A1T1U1DH-AM	7.62x7.62x9.0	Yellow	587~596nm	7150	14250	1.9	2.9	70	85
31-01-B14- RAC-D4T1U1DH-AM	7.62x7.62x9.4	Red	620~632nm	7150	14250	1.9	2.9	70	50
31-01-B14-S3NC-C6T1U1DH-AM	7.62x7.62x9.4	Red	611~620nm	7150	14250	1.9	2.9	70	50
33-01-C34-YYSC-A5T1U1CH-AM	7.62x7.62x8.85	Yellow	590~598nm	7150	14250	1.9	2.9	70	105
33-01-C44-RRFC-D1T1U1CH-AM	7.62x7.62x8.85	Red	620~628nm	7150	14250	1.9	2.9	70	115
38-01-A84-RAC-D4T1U1DH-AM	7.62x7.62x9.4	Red	620~632nm	7150	14250	1.9	2.9	70	40
38-01-A84-S3NC-C1S2T2CH-AM	7.62x7.62x9.4	Red	610~620nm	5650	11250	1.9	2.9	70	40

Automotive LED | Exterior Application | Low Power LED



UNIT : mm

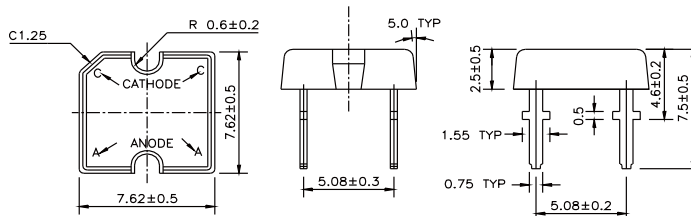


Super Flux 5mm

Product	Size (LxWxHmm)	Color	λ_d (nm)	I_v Min. (mcd)	I_v Max. (mcd)	V_F Min. (V)	V_F Max. (V)	I_F (mA)	Viewing Angle (°)
52-01-A5D-RAC-DBU1V1DH-AM	7.62x7.62x10	Red	619~628nm	11250	22500	1.9	2.9	70	25
52-01-A5D-YSC-A3U1V1DH-AM	7.62x7.62x10.9	Yellow	586~598nm	11250	22500	1.9	2.9	70	25



UNIT : mm



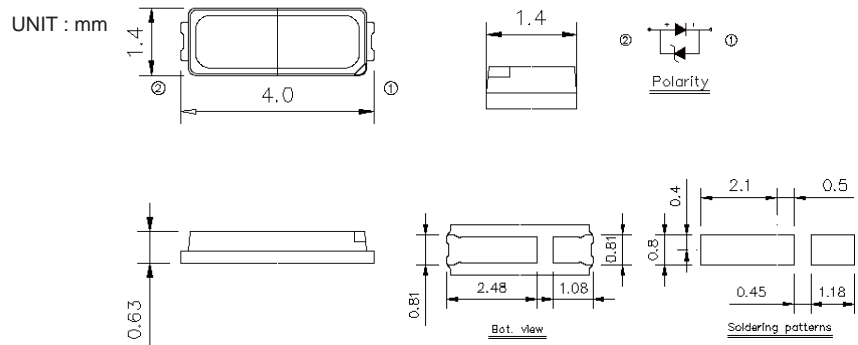
Super Flux Flat

Product	Size (LxWxHmm)	Color	λ_d (nm)/ CCT(K)	I_v Min. (mcd)	I_v Max. (mcd)	V_F Min. (V)	V_F Max. (V)	I_F (mA)	Viewing Angle (°)
10-01-C84-YSC-AAS2T2DH-AM	7.62x7.62x7.5	Yellow	589~598nm	5650	11250	1.9	2.9	70	130

Automotive LED | Interior Application | Low Power LED



4014

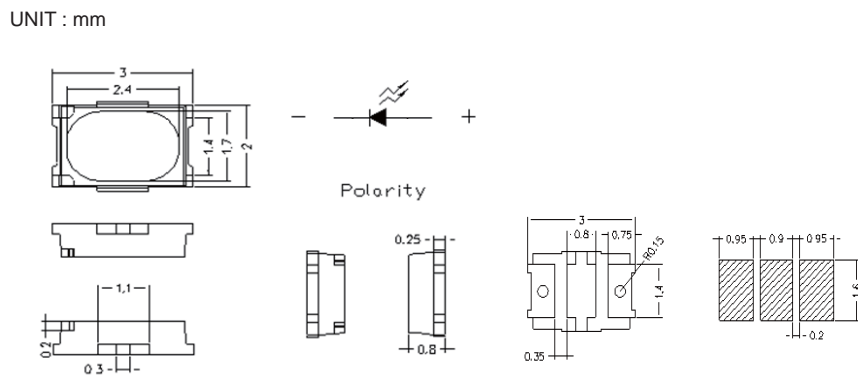


Product	Size (LxWxHmm)	Color	CIE	I _v Min. (mcd)	I _v Max. (mcd)	V _F Min. (V)	V _F Max. (V)	I _F (mA)	Viewing Angle (°)
*50-315Z-BUTR-C3Q60822H7S-2T8-AM	4.0x1.4x0.63	○ White	X:0.2604-0.3265 Y:0.2096-0.3285	4500	12000	2.6	3.5	60	120
*50-315Z-BUTR-C3Q61228H7L-2T8-AM	4.0x1.4x0.63	○ White	X:0.2604-0.3265 Y:0.2096-0.3285	6500	15000	2.6	3.5	80	120
*50-315Z-BUTR-C3Q61634H7N-2T8-AM	4.0x1.4x0.63	○ White	X:0.2604-0.3265 Y:0.2096-0.3285	8500	18000	2.6	3.5	120	120

Star Mark*: Preliminary Product Availability; Please visit EVERLIGHT website for more updated information (www.everlight.com) or contact EVERLIGHT sales for regional options.



3020S

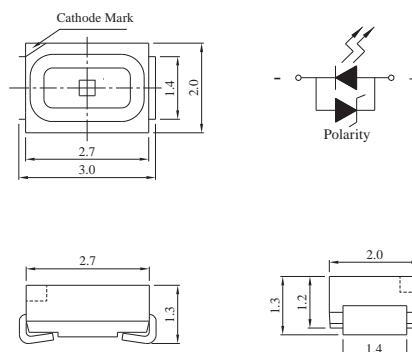


Product	Size (LxWxHmm)	Color	CIE/ λ _d (nm)	I _v Min. (mcd)	I _v Max. (mcd)	V _F Min. (V)	V _F Max. (V)	I _F (mA)	Viewing Angle (°)
45-11S-BUTT-EQ0E9H06S-2T8-AM	3.0X2.0X0.8	○ White	X: 0.268-0.302 Y: 0.219-0.273	5000	9000	2.9	3.5	60	120
45-11S-BUTC-KOU2V2F7S-2T8-AM	3.0X2.0X0.8	● Blue	450-465nm	560	1120	2.7	3.6	60	120
45-21S-RFNC-AKABBBG3S-2T8-AM	3.0X2.0X0.8	● Red	620-629nm	1400	2800	1.8	2.8	60	120
45-21S-YDC-F0BACAD4S-2T8-AM	3.0X2.0X0.8	● Yellow	586-594nm	1800	3550	1.7	3	60	120

Automotive LED | Exterior Application | Low Power LED



UNIT : mm



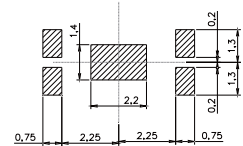
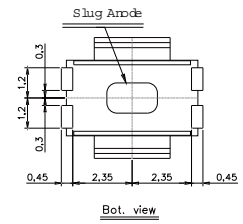
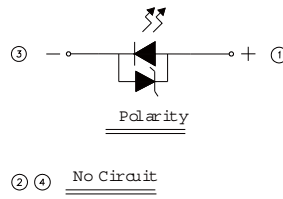
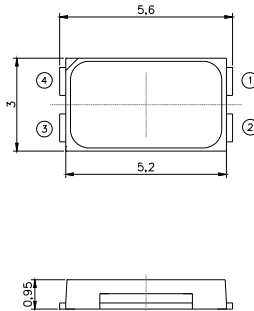
3020

Product	Size (LxWxHmm)	Color	CIE/ λ_d (nm)	I_V Min. (mcd)	I_V Max. (mcd)	V_F Min. (V)	V_F Max. (V)	I_F (mA)	Viewing Angle (°)
45-11-BNSB-39444901E-2T8-AM	3.0x2.0x1.3	○ White	X: 0.2755-0.3035 Y: 0.2619-0.3050	2300	2600	2.75	3.35	20	120
45-11-BVC-Q4R1T1A9C-2T8-AM	3.0x2.0x1.3	● Blue	463-475nm	112	355	2.5	3.5	10	120
45-21-GPSC-6CP2R1F8G-2T8-AM	3.0x2.0x1.3	● Yellow Green	556-565nm	56	140	1.6	2.6	50	120
45-21-R6SC-Q6N2Q2J3B-2T8-AM	3.0x2.0x1.3	● Red	618-630nm	35.5	112	1.5	2.4	5	120
45-21-S3NC-6FV1AAC1F-2T8-AM	3.0x2.0x1.3	● Red	613-622nm	710	1400	1.7	2.6	30	120
45-21-Y2SC-V3Q1R2F8C-2T8-AM	3.0x2.0x1.3	● Yellow	583-595nm	71	180	1.6	2.6	10	120

Automotive LED | Interior Application | Low Power LED



UNIT : mm



Soldering patterns

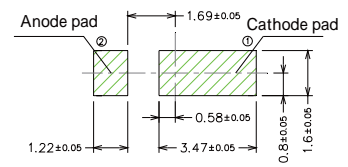
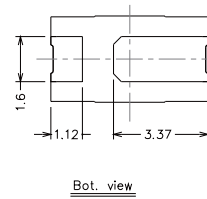
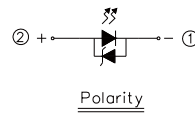
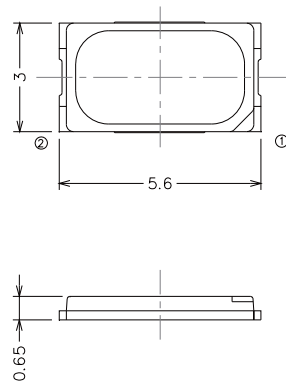
5630

Product	Size (LxWxHmm)	Color	CCT(K)	I _v Min. (mcd)	I _v Max. (mcd)	V _F Min. (V)	V _F Max. (V)	I _F	Viewing Angle (°)
*62-117B-BUTR-30EBGBA6J-2T8-AM	5.6x3.0x0.95	○White	3000K	9000	28000	2.6	3.8	100	120
*62-117B-BUTR-65EBGBA6J-2T8-AM	5.6x3.0x0.95	○White	6500K	9000	28000	2.6	3.8	100	120

Star Mark*: Preliminary Product Availability; Please visit EVERLIGHT website for more updated information (www.everlight.com) or contact EVERLIGHT sales for regional options.



UNIT : mm



Soldering patterns

5630

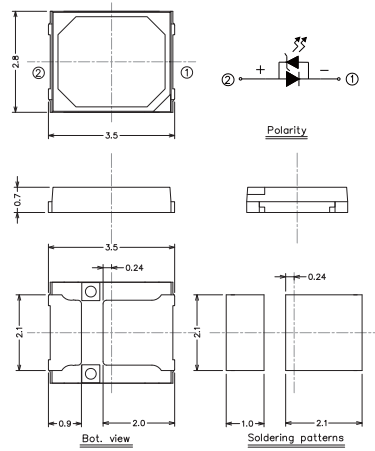
Product	Size (LxWxHmm)	Color	CCT(K)	I _v Min. (mcd)	I _v Max. (mcd)	V _F Min. (V)	V _F Max. (V)	I _F (mA)	Viewing Angle (°)
*62-117D-BUTR-65A3B3G2K-2T8-AM	5.6x3.0x0.65	○White	6500K	13000	23000	2.9	3.6	150	120

Star Mark*: Preliminary Product Availability; Please visit EVERLIGHT website for more updated information (www.everlight.com) or contact EVERLIGHT sales for regional options.

Automotive LED | Interior Application | Low Power LED



UNIT : mm



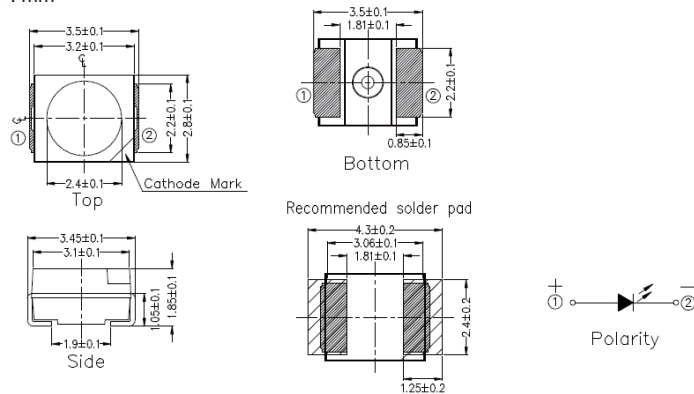
2835

Product	Size (LxWxHmm)	Color	CCT(K)	I _v Min. (mcd)	I _v Max. (mcd)	V _F Min. (V)	V _F Max. (V)	I _F (mA)	Viewing Angle (°)
*67-11S-BUTR-50K4A2G2S-2T8-AM	2.8x3.5x0.7	○White	5000K	4000	12000	2.9	3.6	60	120

Star Mark*: Preliminary Product Availability; Please visit EVERLIGHT website for more updated information (www.everlight.com) or contact EVERLIGHT sales for regional options.



UNIT : mm



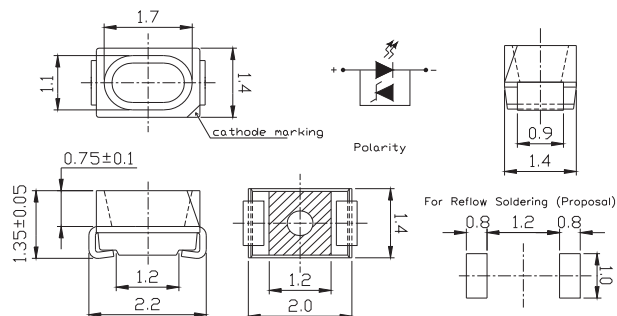
PLCC2

Product	Size (LxWxHmm)	Color	λ _d (nm)/ CCT(K)	I _v Min. (mcd)	I _v Max. (mcd)	V _F Min. (V)	V _F Max. (V)	I _F (mA)	Viewing Angle (°)
67-11-BLP-SF5SA3Q2U1N0C-2T8-AM	3.5x2.8x1.85	● Sky Blue	X=0.1378~0.1700 Y=0.0620~0.1252	90	560	2.7	3.7	10	120
67-11-BLP-CM5CA0S1V2N0C-2T8-AM	3.5x2.8x1.85	○ Ice Blue	X=0.1324~0.2395 Y=0.1201~0.3605	180	1120	2.7	3.7	10	120
67-11-BLT-PLFKS2U2N0C-2T8-AM	3.5x2.8x1.85	○ White	X=0.2580~0.3582 Y=0.2270~0.3792	180	1120	2.7	3.7	10	120
67-11-B7C-B0T1U1E0E-2T8-AM	3.5x2.8x1.85	● Blue	467.5~473.5nm	280	560	2.7	3.65	20	120
67-11-GHC-Y0U1V2A6E-2T8-AM	3.5x2.8x1.85	● Green	520~535nm	450	1120	2.6	3.8	20	120
67-21-R6C-F0R2T1B0E-2T8-AM	3.5x2.8x1.85	● Red	621~631nm	140	355	1.75	2.35	20	120
67-21-S9C-N1U1V1A5E-2T8-AM	3.5x2.8x1.85	● Red	611~618nm	450	900	1.8	2.4	20	120
67-21-YSC-C2U2AABPE-2T8-AM	3.5x2.8x1.85	● Yellow	587.5~592.5nm	527	713	1.75	2.55	20	120

Automotive LED | Interior Application | Low Power LED



UNIT : mm



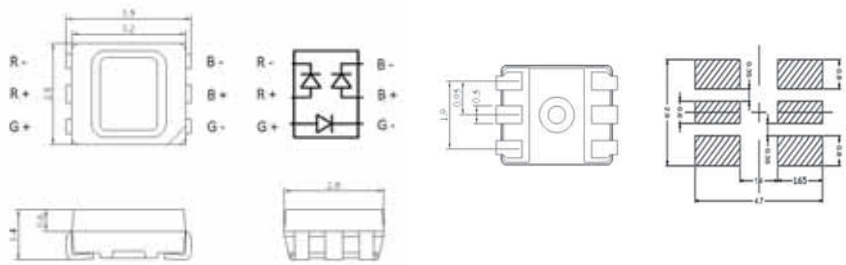
Min Top LED

Product	Size (LxWxHmm)	Color	λ_d (nm)/ CIE	I_v Min. (mcd)	I_v Max. (mcd)	V_F Min. (V)	V_F Max. (V)	I_F (mA)	Viewing Angle (°)
65-B11-BLP-SF5SA3M2R1N0C-2T8-AM	2.2x1.4x1.35	● Sky Blue	X=0.1378~0.1700 Y=0.0620~0.1252	22.4	140	2.7	3.7	10	120
65-B11-BLP-CM5CA0Q1T2N0C-2T8-AM	2.2x1.4x1.35	○ Ice Blue	X=0.1324~0.2395 Y=0.1201~0.3605	71	450	2.7	3.7	10	120
65-B11-BLT-PLFKQ2U1N0C-2T8-AM	2.2x1.4x1.35	○ White	X=0.2580~0.3582 Y=0.2270~0.3792	90	560	2.7	3.7	10	120
65-11-BHC-K9R2S2A7E-2T8-AM	2.2x1.4x1.35	● Blue	465~477nm	140	280	2.7	3.8	20	120
65-11-GBC-Y0V1AAN0E-2T8-AM	2.2x1.4x1.35	● Green	520~535nm	710	1400	2.7	3.7	20	120
65-21-R7SC-A6Q2S1B0E-2T8-AM	2.2x1.4x1.35	● Red	627~639nm	90	224	1.75	2.35	20	120
65-21-S2SC-B2S1T1B7E-2T8-AM	2.2x1.4x1.35	● Orange	603~609nm	180	355	1.7	2.4	20	120
65-21-Y2SC-A0R1S2B7E-2T8-AM	2.2x1.4x1.35	● Yellow	585.5~594.5nm	112	280	1.7	2.4	20	120

Automotive LED | Interior Application | Low Power LED



UNIT : mm



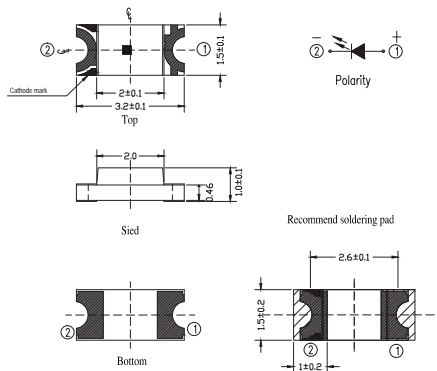
PLCC6

Product	Size (LxWxHmm)	Color	λ_d (nm)	I_v Min. (mcd)	I_v Max. (mcd)	V_F Min. (V)	V_F Max. (V)	I_F (mA)	Viewing Angle (°)
*67-63U-BARANGB-202020-2TOW-AM	3.5x2.8x1.4	● Red	620~633nm	560	1120	1.7	2.7	20	120
		● Green	520~535nm	1400	2240	2.7	3.7		
		● Blue	447~471nm	180	450	2.7	3.7		

Star Mark*: Preliminary Product Availability; Please visit EVERLIGHT website for more updated information (www.everlight.com) or contact EVERLIGHT sales for regional options.



UNIT : mm



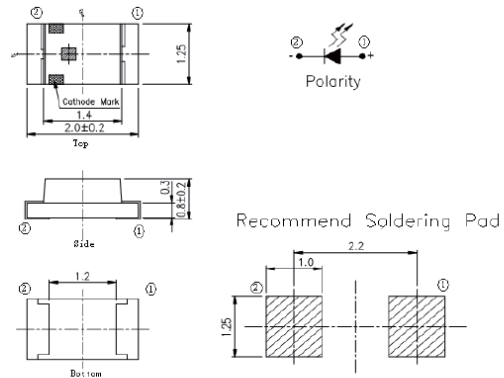
1206

Product	Size(LxWxH)	Color	λ_d (nm)	I_v Min. (mcd)	I_v Max. (mcd)	V_F Min.(V)	V_F Max. (V)	I_F (mA)	Viewing Angle (°)
15-21-G6C-A0N1P2B0E-2T-AM	3.2x1.5x1.0	● Yellow Green	569.5~577.5nm	28	71	1.75	2.35	20	130
15-21-R6C-B0Q1R2B0E-2T8-AM	3.2x1.5x1.0	● Red	617.5~629.5nm	71	180	1.75	2.35	20	130
15-21-Y2SC-A0S1T1B25E-2T-AM	3.2x1.5x1.0	● Yellow	585.5~594.5nm	180	355	1.7	2.4	20	130

Automotive LED | Interior Application | Low Power LED



UNIT : mm

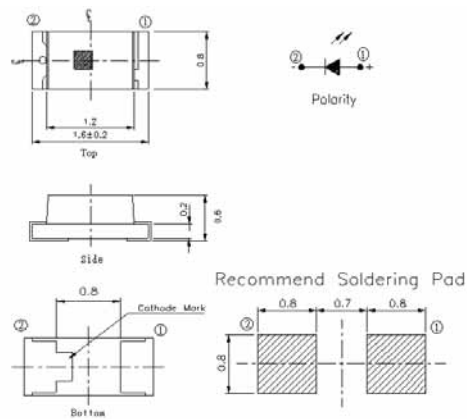


0805

Product	Size (LxWxHmm)	Color	λ_d (nm)	I_V Min. (mcd)	I_V Max. (mcd)	V_F Min. (V)	V_F Max. (V)	I_F (mA)	Viewing Angle (°)
17-215-G6C-F5M1N2B0E-3T-AM	2.0x1.25x0.8	● Yellow Green	568~574nm	18	45	1.75	2.35	20	130
17-215-R6C-A0Q2R2B0E-3T-AM	2.0x1.25x0.8	● Red	617.5~633.5nm	90	180	1.75	2.35	20	130
17-215-S3C-5UQ2R2B0E-3T-AM	2.0x1.25x0.8	● Orange	611~619nm	90	180	1.75	2.35	20	130
17-215-Y2C-P9Q2S1B0E-3T-AM	2.0x1.25x0.8	● Yellow	584~596nm	90	224	1.75	2.35	20	130



UNIT : mm



0603

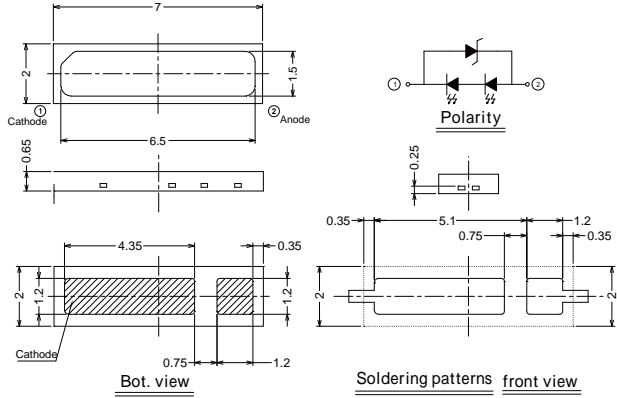
Product	Size (LxWxHmm)	Color	λ_d (nm)	I_V Min. (mcd)	I_V Max. (mcd)	V_F Min. (V)	V_F Max. (V)	I_F (mA)	Viewing Angle (°)
19-213-G6SC-M0P1Q1B0E-3T-AM	1.6x0.8x0.6	● Yellow Green	569.5~575.5nm	45	90	1.75	2.35	20	120
19-213-R6C-A0R2S2B0E-3T-AM	1.6x0.8x0.6	● Red	617.5~633.5nm	140	280	1.75	2.35	20	120
19-213-S3SC-B0S1T1B0E-3T-AM	1.6x0.8x0.6	● Orange	613.5~621.5nm	180	355	1.75	2.35	20	120
19-213-Y2SC-9AS1T1B0E-3T-AM	1.6x0.8x0.6	● Yellow	589~595nm	180	355	1.75	2.35	20	120

Backlighting LED | TV/Monitor

Application/ Edge Lite



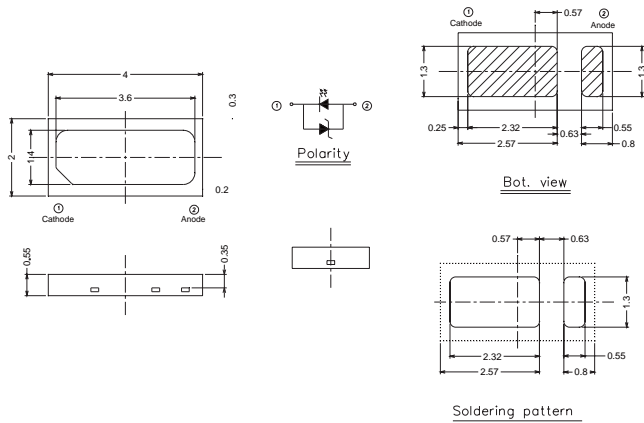
UNIT : mm



Product	Size (LxWxHmm)	Color	Power(W)	CIE(x,y)	Iv (lm)	VF (V)	Viewing Angle(°)
62-129TUN2C/T94104N47S9C-T	7.0x2.0x0.65	○ White	1	CIE(0.270, 0.225)	94~106	6.2~6.8	120



UNIT : mm



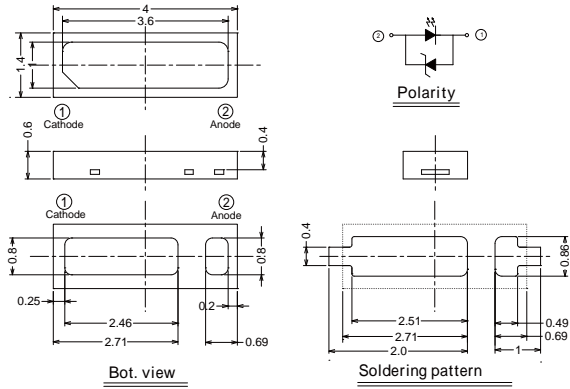
Product	Size (LxWxHmm)	Color	Power(W)	CIE(x,y)	Iv (lm)	VF (V)	Viewing Angle(°)
50-715TZUMNC/T5664N799F-T	4.0x2.0x0.58	○ White	0.6	CIE(0.282, 0.235)	56~66	3.0~3.6	120

Backlighting LED | TV/Monitor

Application/ Edge Lite



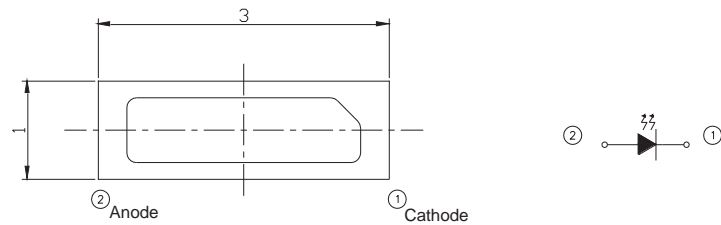
UNIT : mm



Product	Size (LxWxHmm)	Color	Power(W)	CIE(x,y)	Iv (lm)	VF (V)	Viewing Angle(°)
50-615TUMRFC/S4700-1/TR8-T	4.0x1.4x0.6	○ White	0.4	CIE(0.280, 0.259)	16~22	2.8~3.4	120



UNIT : mm



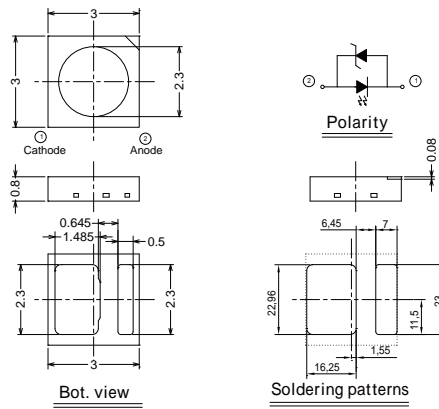
Product	Size (LxWxHmm)	Color	Power(W)	CIE(x,y)	Iv (lm)	VF (V)	Viewing Angle(°)
62-216TFUMRGC/T5060M4AT9F-T	3.0x1.0x0.55	○ White	0.6	CIE(0.280, 0.259)	50~62	2.8~3.6	120

Backlighting LED | TV/Monitor

Application/ Direct Lite



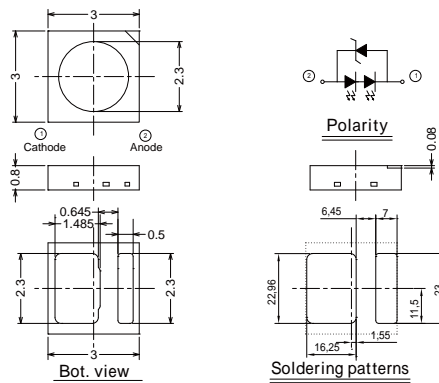
UNIT : mm



Product	Size (LxWxHmm)	Color	Power (W)	I _v (lm)	CIE	V _F	Viewing Angle (°)
62-113TUNC/F105125VM58BJ-T	3.0x3.0x0.8	○White	1~1.5	70~120	x=0.270, y=0.245	2.9~3.6	120



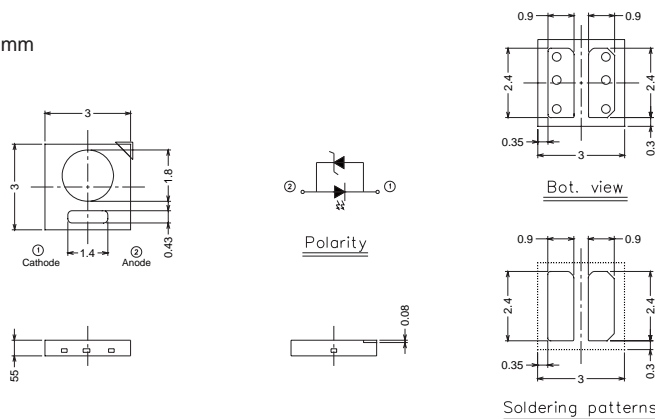
UNIT : mm



Product	Size (LxWxHmm)	Color	Power (W)	I _v (lm)	CIE	V _F	Viewing Angle (°)
62-123TUNC/F120155M58SBF-T	3.0x3.0x0.8	○White	1~2	125~150	x=0.270, y=0.245	5.8~7.2	120



UNIT : mm

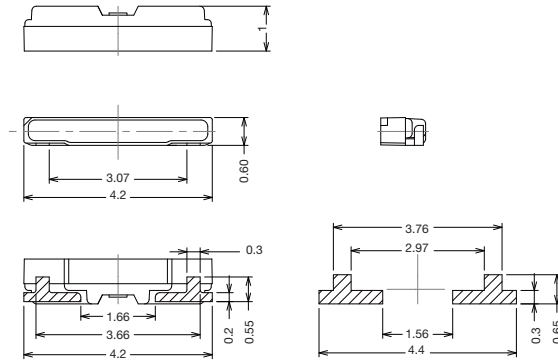


Product	Size (LxWxHmm)	Color	Power(W)	CIE(x,y)	I _v (lm)	VF (V)	Viewing Angle(°)
S3030FUMRGC/F155190VM9BO-T	3.0x3.0x0.55	○White	1.7	x=0.280, y=0.269	150~180	3.0~3.6	120

Backlighting LED | Portable
Application/ Side View



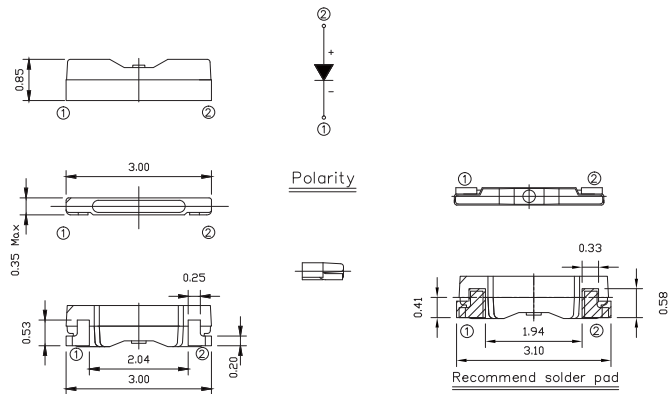
UNIT : mm



Product	Size (LxWxHmm)	Color	Power(W)	CIE(x,y)	Iv (lm)	VF (V)	Viewing Angle(°)
99-826LM2C/TR8-T	4.2x1x0.6	White	0.12	X=0.295,Y=0.28	14-17	5.4-6.8	120



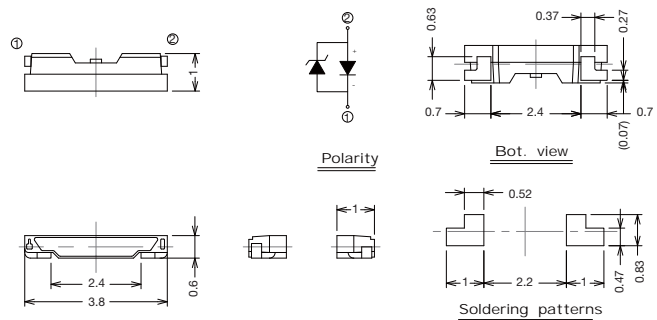
UNIT : mm



Product	Size (LxWxHmm)	Color	Power(W)	CIE(x,y)	Iv (lm)	VF (V)	Viewing Angle(°)
99-713LM2C/TR8-T	3.8x1.0x0.8	White	0.06	X=0.295,Y=0.28	7.75-8.5	2.7-3.4	120



UNIT : mm

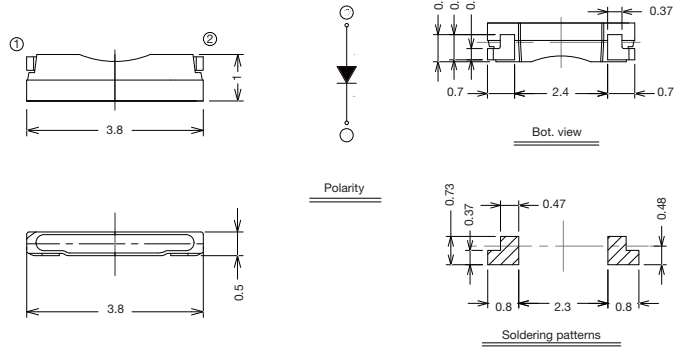


Product	Size (LxWxHmm)	Color	Power(W)	CIE(x,y)	Iv (lm)	VF (V)	Viewing Angle(°)
99-616LM2C/TR8-T	3.8x1.0x0.6	White	0.06	X=0.295,Y=0.28	8.75-9.25	2.9-3.4	120

Backlighting LED | Portable
Application/ Side View



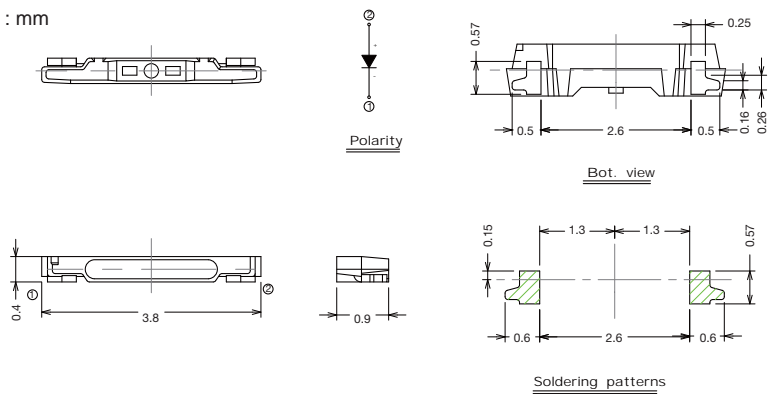
UNIT : mm



Product	Size (LxWxHmm)	Color	Power(W)	CIE(x,y)	Iv (lm)	VF (V)	Viewing Angle(°)
3805UM2C/TR8-T	3.8x1.0x0.5	White	0.06	X=0.295,Y=0.28	8.25-9.0	2.7-3.4	116



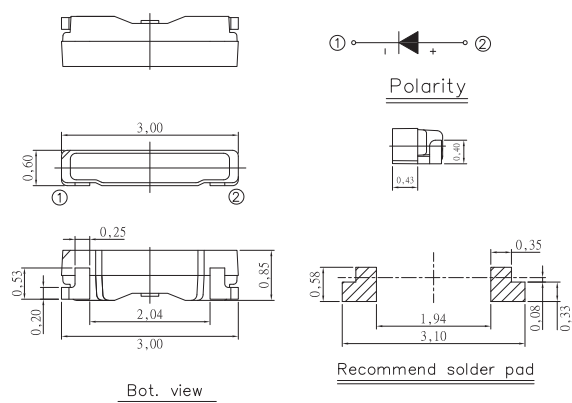
UNIT : mm



Product	Size (LxWxHmm)	Color	Power(W)	CIE(x,y)	Iv (lm)	VF (V)	Viewing Angle(°)
99-218GUM2C/TR8-T	3.8x0.9x0.4	White	0.06	X=0.295,Y=0.28	8.0-8.75	2.7-3.4	120



UNIT : mm

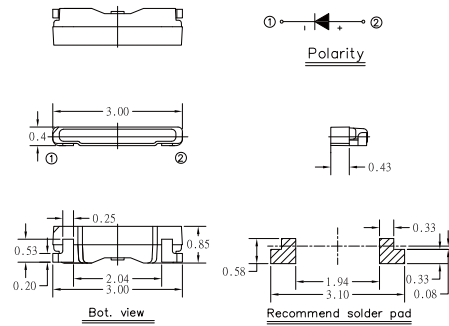


Product	Size (LxWxHmm)	Color	Power(W)	CIE(x,y)	Iv (lm)	VF (V)	Viewing Angle(°)
3006UM2C/TR8-T	3.0x0.85x0.6	White	0.06	X=0.295,Y=0.28	8.0-8.5	2.9-3.4	120

Backlighting LED | Portable
Application/ Side View



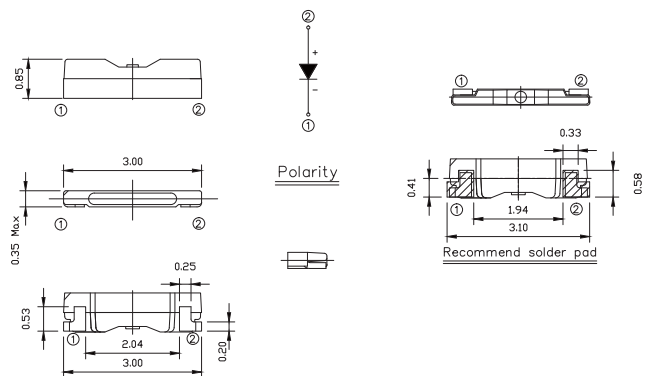
UNIT : mm



Product	Size (LxWxHmm)	Color	Power(W)	CIE(x,y)	Iv (lm)	VF (V)	Viewing Angle(°)
3004UM2C/TR8-T	3.0x0.85x0.4	White	0.06	X=0.295,Y=0.28	7.75-8.5	2.7-3.4	115



UNIT : mm



Product	Size (LxWxHmm)	Color	Power(W)	CIE(x,y)	Iv (lm)	VF (V)	Viewing Angle(°)
3003UM2C/TR8-T	3.0x0.85x0.3	White	0.06	X=0.295,Y=0.28	6.5-70	2.9-3.4	120



INFRARED LED, SENSORS, COUPLERS

184 INFRARED LED AND SILICON DETECTOR

214 INFRARED RECEIVER MODULE

226 OPTIC-FIBER DEVICE (PHOTO LINK)

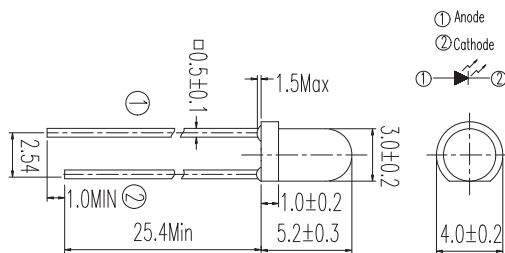
235 OPTICAL SENSOR

255 PHOTO COUPLER

Infrared LED and Silicon Detector | Emitter | Lamp 3mm



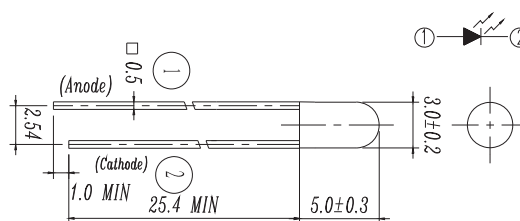
UNIT : mm



Product	Size (mm)	λ_P (nm)	V_F Typ (V)	V_F Max (V)	I_e Min (mW/sr)	I_e Typ (mW/sr)	Viewing Angle (°)
HIR204	3	850	1.45	1.65	7.8	17.6	25
HIR204/H0	3	850	1.45	1.65	4	8.9	40
HIR204C	3	850	1.45	1.65	7.8	17.6	25
HIR204C/H0	3	850	1.45	1.65	11	20	40
IR204-A	3	940	1.2	1.5	4	5.6	35
IR204/H16/L10	3	940	1.2	1.5	2.8	4	50
IR204/H60	3	940	1.2	1.5	4	7	50
IR204C-A	3	940	1.2	1.5	4	5.6	35
IR204C/H16/L10	3	940	1.2	1.5	2.8	4	50
SIR204-A	3	875	1.3	1.65	4	6.4	30
SIR204C	3	875	1.3	1.65	4	6.4	30



UNIT : mm

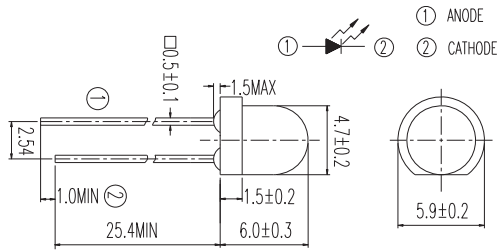


Product	Size (mm)	λ_P (nm)	V_F Typ (V)	V_F Max (V)	I_e Min (mW/sr)	I_e Typ (mW/sr)	Viewing Angle (°)
SIR234	3	875	1.3	1.65	5.6	9	30
HIR234C	3	850	1.45	1.65	7.8	15	30

Infrared LED and Silicon Detector | Emitter | Lamp 5mm



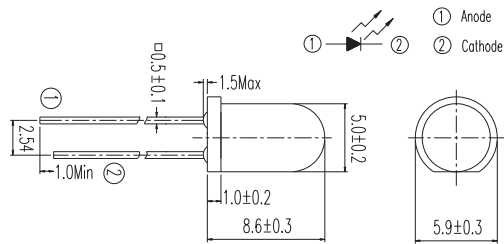
UNIT : mm



Product	Size (mm)	λ_P (nm)	V_F Typ (V)	V_F Max (V)	I_e _Min (mW/sr)	I_e _Typ (mW/sr)	Viewing Angle (°)
HIR323C	5	850	1.45	1.65	15	30	15
HIR323C/H0	5	850	1.45	1.65	7.8	11	30
IR323	5	940	1.2	1.5	4	6.4	30
IR323/H0-A	5	940	1.2	1.5	2	3.5	60
SIR323-5	5	875	1.3	1.65	4	7.8	35



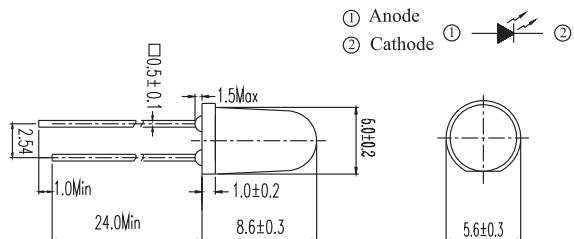
UNIT : mm



Product	Size (mm)	λ_P (nm)	V_F Typ (V)	V_F Max (V)	I_e _Min (mW/sr)	I_e _Typ (mW/sr)	Viewing Angle (°)
HIR333/H0	5	850	1.45	1.65	7.8	15	30
HIR333C/H0	5	850	1.45	1.65	7.8	15	30
IR333-A	5	940	1.2	1.5	7.8	20	20
IR333/H0	5	940	1.2	1.5	5.6	7.8	40
IR333/H0/L10	5	940	1.2	1.5	11	12	40
IR333C	5	940	1.2	1.5	7.8	20	20
IR333C/H0/L10	5	940	1.2	1.5	7.8	10	40
IR333C/H2	5	940	1.2	1.5	7.8	15	30
SIR333-A	5	875	1.3	1.65	7.8	20	20



UNIT : mm

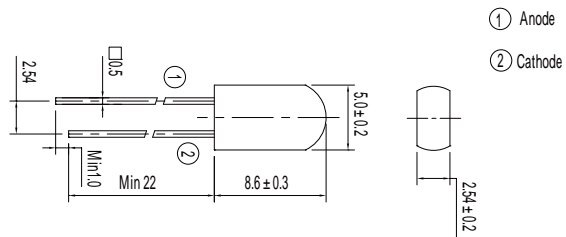


Product	Size (mm)	λ_P (nm)	V_F Typ (V)	V_F Max (V)	I_e _Min (mW/sr)	I_e _Typ (mW/sr)	Viewing Angle (°)
IR383	5	940	1.2	1.5	15	20	20
SIR383C	5	875	1.3	1.6	11	20	20
HIR383C/L289	5	850	1.45	1.65	--	140	18

Infrared LED and Silicon Detector | Emitter | Lamp 5mm



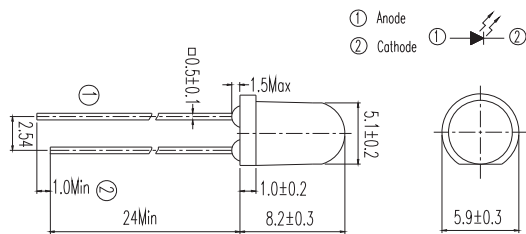
UNIT : mm



Product	Size (mm)	λ_P (nm)	V_F Typ (V)	V_F Max (V)	I_e _Min (mW/sr)	I_e _Typ (mW/sr)	Viewing Angle (°)
IR533C	5	940	1.2	1.5	4	7.8	25



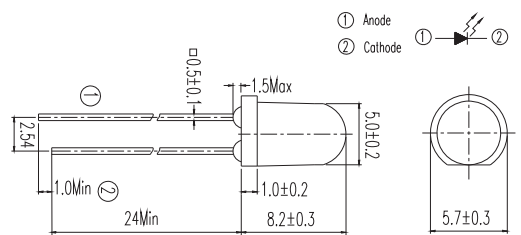
UNIT : mm



Product	Size (mm)	λ_P (nm)	V_F Typ (V)	V_F Max (V)	I_e _Min (mW/sr)	I_e _Typ (mW/sr)	Viewing Angle (°)
HIR7373B/L289	5	850	1.45	1.6	21	40	25
HIR7373C	5	850	1.45	1.65	7.8	15	40
IR7373C	5	940	1.2	1.5	5.6	8	50



UNIT : mm

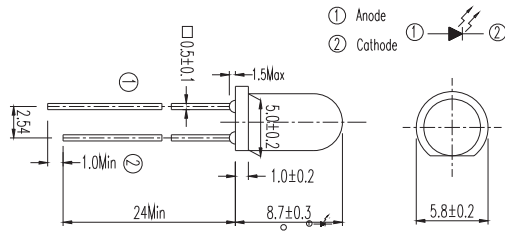


Product	Size (mm)	λ_P (nm)	V_F Typ (V)	V_F Max (V)	I_e _Min (mW/sr)	I_e _Typ (mW/sr)	Viewing Angle (°)
HIR7393B/L289	5	850	1.45	1.6	7.8	20	50
HIR7393C	5	850	1.45	1.65	7.8	15	45
IR7393C	5	940	1.2	1.5	4	6.5	55

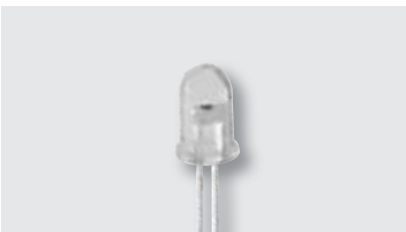
Infrared LED and Silicon Detector | Emitter | Lamp 5mm



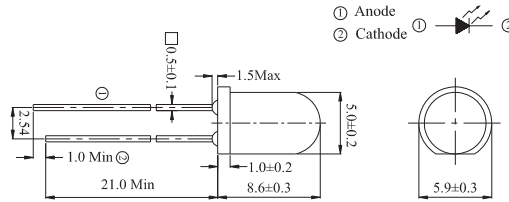
UNIT : mm



Product	Size (mm)	λ_P (nm)	V_F Typ (V)	V_F Max (V)	I_{e_Min} (mW/sr)	I_{e_Typ} (mW/sr)	Viewing Angle (°)
HIR8323/C16	5	850	1.45	1.65	20	30	30



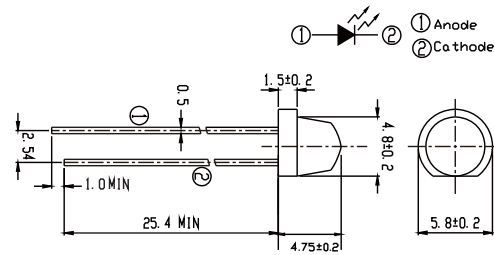
UNIT : mm



Product	Size (mm)	λ_P (nm)	V_F Typ (V)	V_F Max (V)	I_{e_Min} (mW/sr)	I_{e_Typ} (mW/sr)	Viewing Angle (°)
IR8353-14C	5	940	1.2	1.5	7.8	11	35



UNIT : mm



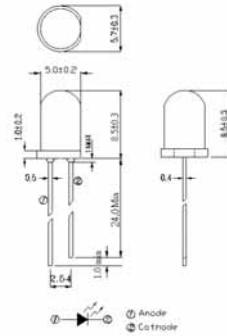
Product	Size (mm)	λ_P (nm)	V_F Typ (V)	V_F Max (V)	I_{e_Min} (mW/sr)	I_{e_Typ} (mW/sr)	Viewing Angle (°)
HIR7323C/L599	5	850	1.4	1.7	4	5	75

Infrared LED and Silicon Detector | Emitter | Lamp 5mm

Infrared LED and Silicon Detector



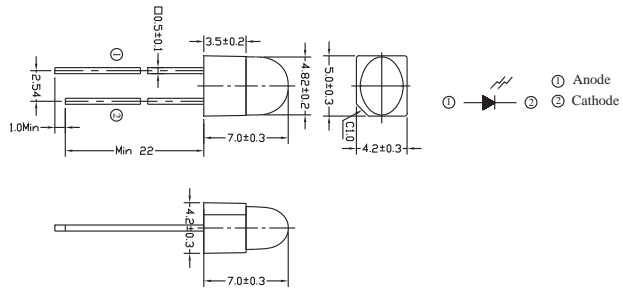
UNIT : mm



Product	Size (mm)	λ_p (nm)	V_F Typ (V)	V_F Max (V)	I_e Min (mW/sr)	I_e Typ (mW/sr)	Viewing Angle (°)
IR8394-20C	5	940	1.2	1.5	2.8	5	60



UNIT : mm

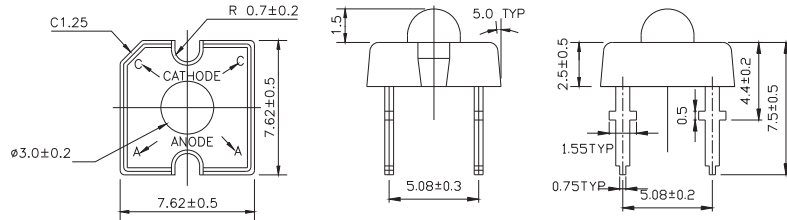
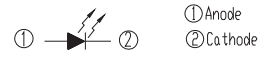


Product	Size (mm)	λ_p (nm)	V_F Typ (V)	V_F Max (V)	I_e Min (mW/sr)	I_e Typ (mW/sr)	Viewing Angle (°)
IR5443-14C/L527	5	940	1.2	1.5	4	9	60(X)30(Y)

Infrared LED and Silicon Detector | Emitter | Piranha



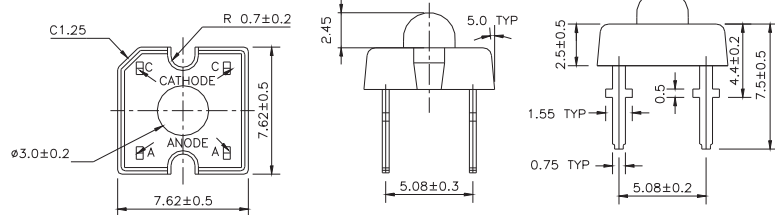
UNIT : mm



Product	Size (LxWxHmm)	λ_P (nm)	V_F Typ (V)	V_F Max (V)	I_{e_Min} (mW/sr)	I_{e_Typ} (mW/sr)	Viewing Angle (°)
HIR30-01C/S16	7.62x7.62x4	850	1.45	1.65	5.6	10	35



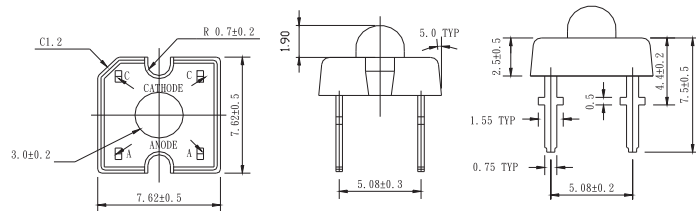
UNIT : mm



Product	Size (LxWxHmm)	λ_P (nm)	V_F Typ (V)	V_F Max (V)	I_{e_Min} (mW/sr)	I_{e_Typ} (mW/sr)	Viewing Angle (°)
HIR36-01C/S32	7.62x7.62x5	850	1.45	1.65	15	29	20



UNIT : mm

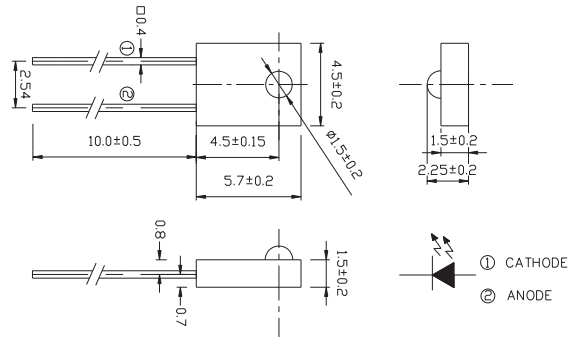


Product	Size (LxWxHmm)	λ_P (nm)	V_F Typ (V)	V_F Max (V)	I_{e_Min} (mW/sr)	I_{e_Typ} (mW/sr)	Viewing Angle (°)
HIR38-01C	7.62x7.62x4.4	850	1.45	1.65	7.8	17	30

Infrared LED and Silicon Detector | Emitter | Side Look



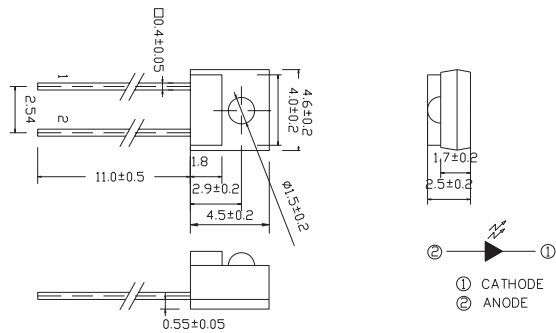
UNIT : mm



Product	Size (LxWxHmm)	λ_P (nm)	V_F Typ (V)	V_F Max (V)	I_{e_Min} (mW/sr)	I_{e_Typ} (mW/sr)	Viewing Angle (°)
IR908-7C-F	4.5x2.25x5.7	940	1.2	1.5	--	--	60



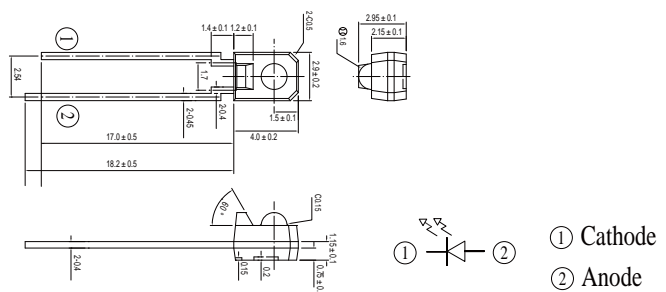
UNIT : mm



Product	Size (LxWxHmm)	λ_P (nm)	V_F Typ (V)	V_F Max (V)	I_{e_Min} (mW/sr)	I_{e_Typ} (mW/sr)	Viewing Angle (°)
IR928-6C-F	4.6x2.5x4.5	940	1.2	1.5	--	--	40



UNIT : mm

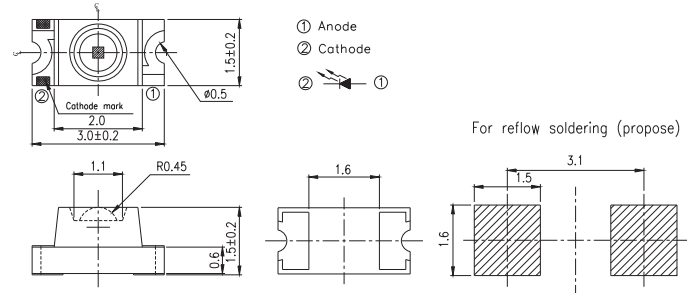


Product	Size (LxWxHmm)	λ_P (nm)	V_F Typ (V)	V_F Max (V)	I_{e_Min} (mW/sr)	I_{e_Typ} (mW/sr)	Viewing Angle (°)
IR968-8C	2.9x2.9x4	940	1.2	1.5	--	--	25

Infrared LED and Silicon Detector | Emitter | SMD



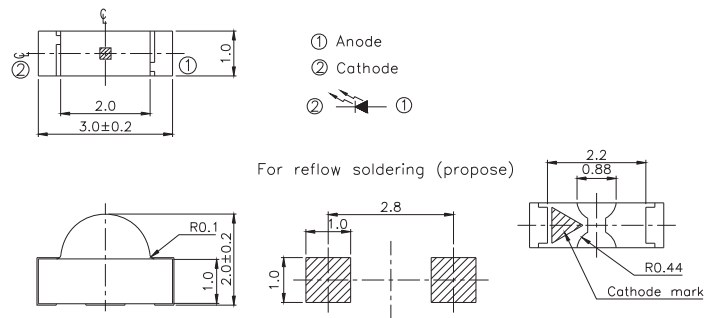
UNIT : mm



Product	Size (LxWxHmm)	λ_P (nm)	V_F Typ (V)	V_F Max (V)	I_{e_Min} (mW/sr)	I_{e_Typ} (mW/sr)	Viewing Angle (°)
HIR11-21C/L11/TR8	3x1.5x1.5	850	1.45	1.65	1	2	75
IR11-21C/TR8	3x1.5x1.5	940	1.2	1.5	0.5	1.6	100
IR11-21C/L302/TR8	3x1.5x1.5	940	1.2	1.5	1.25	2.25	100



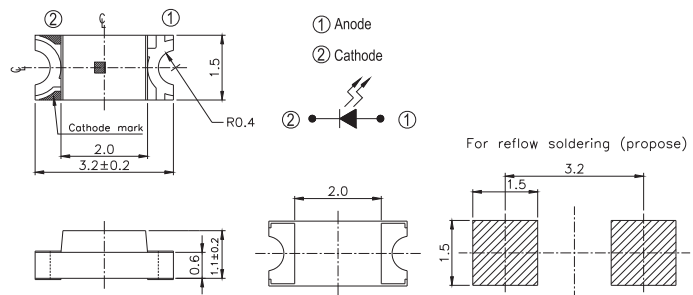
UNIT : mm



Product	Size (LxWxHmm)	λ_P (nm)	V_F Typ (V)	V_F Max (V)	I_{e_Min} (mW/sr)	I_{e_Typ} (mW/sr)	Viewing Angle (°)
IR12-21C/TR8	3x1x2	940	1.2	1.5	0.5	0.8	160
SIR12-21C/TR8	3x1x2	875	1.3	1.6	0.5	0.9	160
HIR12-21C/TR8	3x1x2	850	1.45	1.65	0.7	1.3	145

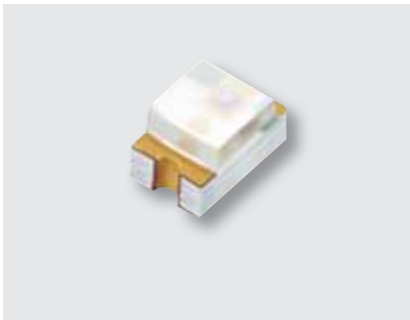


UNIT : mm

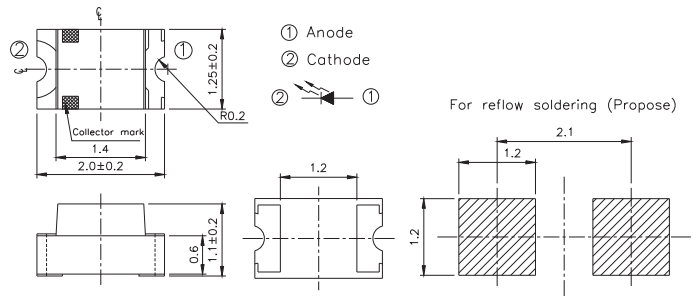


Product	Size (LxWxHmm)	λ_P (nm)	V_F Typ (V)	V_F Max (V)	I_{e_Min} (mW/sr)	I_{e_Typ} (mW/sr)	Viewing Angle (°)
IR15-21C/TR8	3.2x1.5x1.1	940	1.2	1.5	0.2	0.8	160

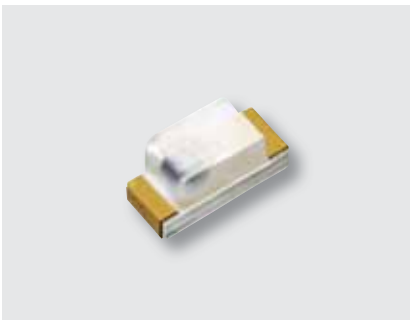
Infrared LED and Silicon Detector | Emitter | SMD



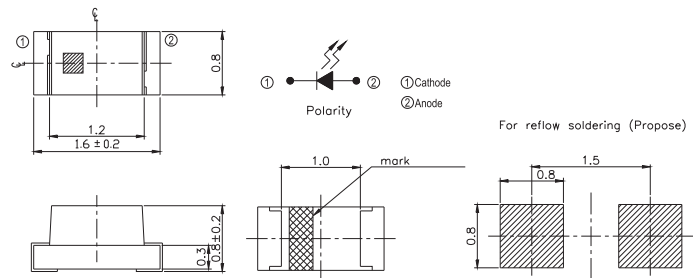
UNIT : mm



Product	Size (LxWxHmm)	λ_p (nm)	V_F Typ (V)	V_F Max (V)	I_{e_Min} (mW/sr)	I_{e_Typ} (mW/sr)	Viewing Angle (°)
IR17-21C/TR8	2x1.25x1.1	940	1.2	1.5	0.2	0.8	120
HIR17-21C/L289/TR8	2x1.25x1.1	850	1.4	1.7	1.6	2.1	120



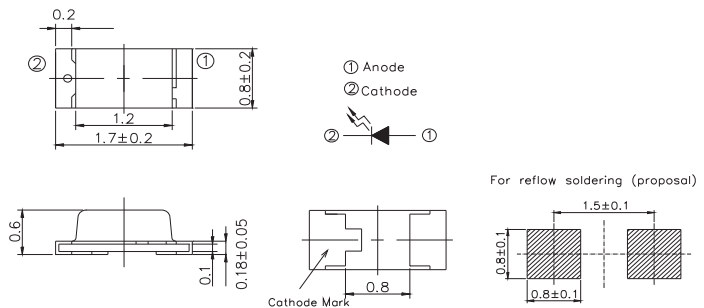
UNIT : mm



Product	Size (LxWxHmm)	λ_p (nm)	V_F Typ (V)	V_F Max (V)	I_{e_Min} (mW/sr)	I_{e_Typ} (mW/sr)	Viewing Angle (°)
IR19-21C/TR8	1.6x0.8x0.8	940	1.2	1.5	0.2	0.7	150
SIR19-21C/TR8	1.6x0.8x0.8	875	1.3	1.6	0.2	0.5	145
HIR19-21C/L289/TR8	1.6x0.8x0.8	850	1.4	1.7	1.0	1.85	145



UNIT : mm

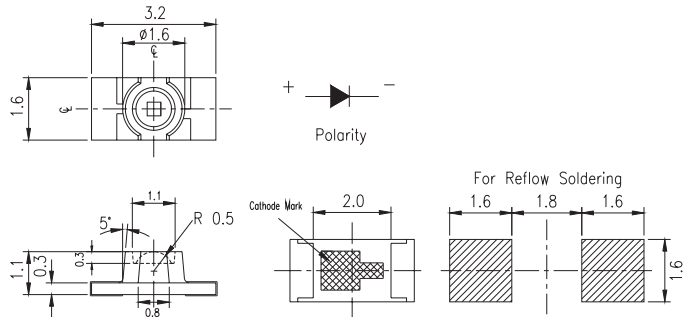


Product	Size (LxWxHmm)	λ_p (nm)	V_F Typ (V)	V_F Max (V)	I_{e_Min} (mW/sr)	I_{e_Typ} (mW/sr)	Viewing Angle (°)
IR19-315C/TR8	1.7x0.8x0.6	940	1.2	1.5	0.2	0.6	140
SIR19-315/TR8	1.7x0.8x0.6	870	1.35	1.7	1	1.3	140

Infrared LED and Silicon Detector | Emitter | SMD



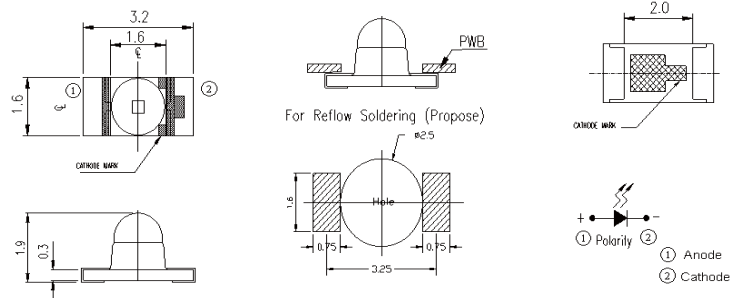
UNIT : mm



Product	Size (LxWxHmm)	λ_P (nm)	V_F Typ (V)	V_F Max (V)	I_{e_Min} (mW/sr)	I_{e_Typ} (mW/sr)	Viewing Angle (°)
IR25-21C/TR8	3.2x1.6x1.1	940	1.2	1.5	0.5	1.5	160
HIR25-21C/L423/TR8	3.2x1.6x1.1	850	1.45	1.65	3.0	5.5	70



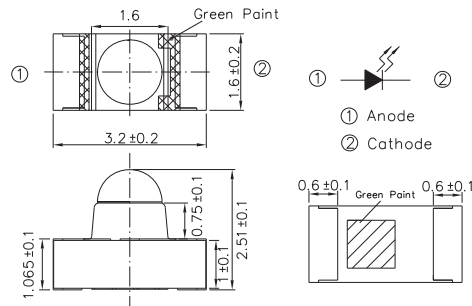
UNIT : mm



Product	Size (LxWxHmm)	λ_P (nm)	V_F Typ (V)	V_F Max (V)	I_{e_Min} (mW/sr)	I_{e_Typ} (mW/sr)	Viewing Angle (°)
IR26-21C/L110/TR8	3.2x1.6x1.95	940	1.2	1.5	1	3.5	20
HIR26-21B/L423/CT	3.2x1.6x1.95	850	1.45	1.7	10	20	20



UNIT : mm

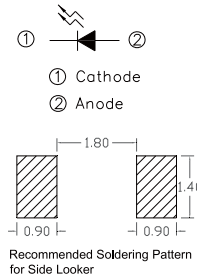
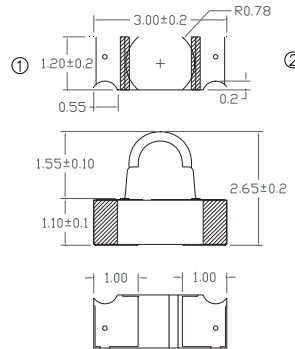


Product	Size (LxWxHmm)	λ_P (nm)	V_F Typ (V)	V_F Max (V)	I_{e_Min} (mW/sr)	I_{e_Typ} (mW/sr)	Viewing Angle (°)
IR26-51C/L110/TR8	3.2x1.6x2.5	940	1.2	1.5	1	3.5	20

Infrared LED and Silicon Detector | Emitter | SMD



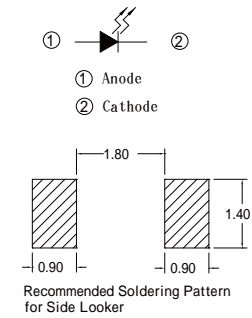
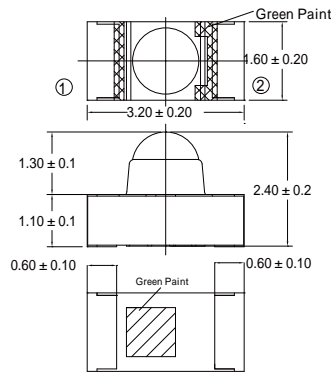
UNIT : mm



Product	Size (LxWxHmm)	λ_P (nm)	V_F Typ (V)	V_F Max (V)	I_{e_Min} (mW/sr)	I_{e_Typ} (mW/sr)	Viewing Angle (°)
IR26-61C/L302/TR8	3x2.65x1.2	940	1.25	1.5	4.0	8.0	20
IR26-61C/L447/TR8	3x2.65x1.2	940	1.20	1.5	13	18	30



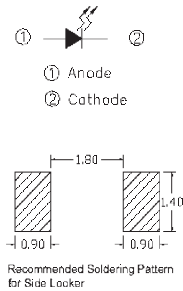
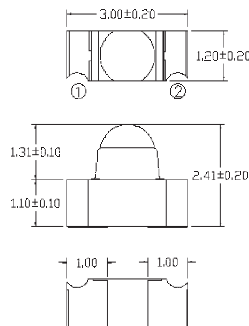
UNIT : mm



Product	Size (LxWxHmm)	λ_P (nm)	V_F Typ (V)	V_F Max (V)	I_{e_Min} (mW/sr)	I_{e_Typ} (mW/sr)	Viewing Angle (°)
IR26-71C/L302/TR8	3.2x2.4x1.6	940	1.25	1.5	2.0	4.5	45



UNIT : mm

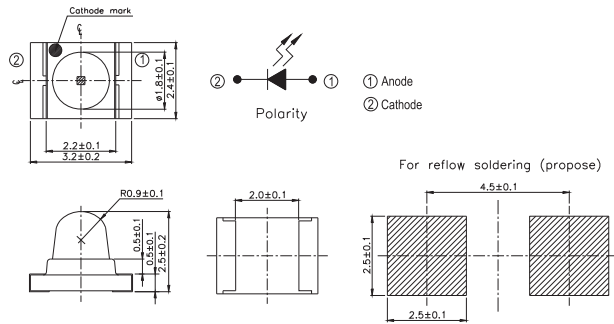


Product	Size (LxWxHmm)	λ_P (nm)	V_F Typ (V)	V_F Max (V)	I_{e_Min} (mW/sr)	I_{e_Typ} (mW/sr)	Viewing Angle (°)
IR26-71C/L447/S63/TR8	3.0x2.41x1.2	940	1.3	1.6	5	8.5	50

Infrared LED and Silicon Detector | Emitter | SMD



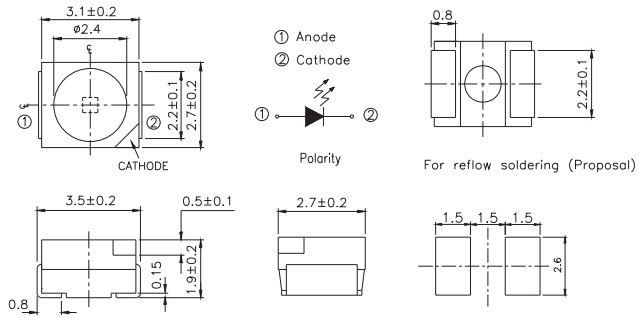
UNIT : mm



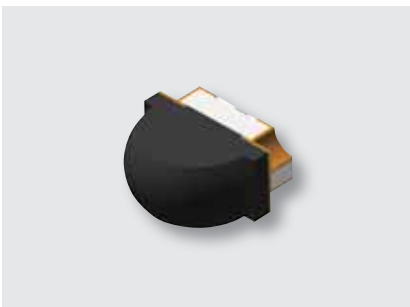
Product	Size (LxWxHmm)	λ_P (nm)	V_F Typ (V)	V_F Max (V)	I_{e_Min} (mW/sr)	I_{e_Typ} (mW/sr)	Viewing Angle (°)
IR42-21C/TR8	3.2x2.4x2.5	940	1.2	1.5	1	3	30
HIR42-21C/L290/TR8	3.2x2.4x2.5	850	1.4	1.7	7	14	35



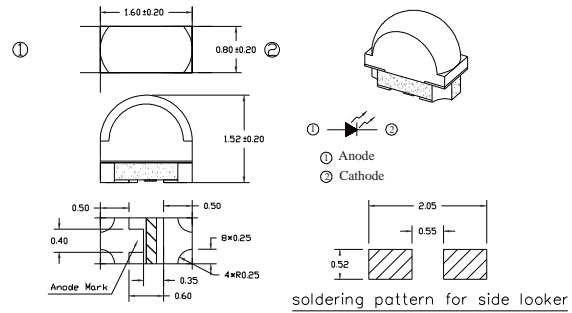
UNIT : mm



Product	Size (LxWxHmm)	λ_P (nm)	V_F Typ (V)	V_F Max (V)	I_{e_Min} (mW/sr)	I_{e_Typ} (mW/sr)	Viewing Angle (°)
HIR67-21C/L11/TR8	3.5x2.7x1.9	850	1.45	1.65	1	2	120
IR67-21C/TR8	3.5x2.7x1.9	940	1.2	1.5	1	1.5	120
SIR67-21C/TR8	3.5x2.7x1.9	875	1.3	1.6	0.5	1.1	120
HIR67-21C/L289/TR8	3.5x2.7x1.9	850	1.4	1.7	2	3	120

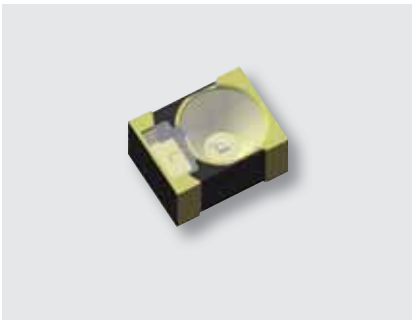


UNIT : mm

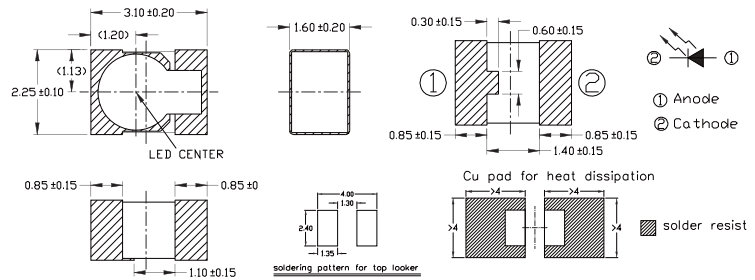


Product	Size (LxWxHmm)	λ_P (nm)	V_F Typ (V)	V_F Max (V)	I_{e_Min} (mW/sr)	I_{e_Typ} (mW/sr)	Viewing Angle (°)
HIR83-01B/TR8	1.6x0.8x1.52	850	1.4	1.7	2	5	100(X) 40(Y)

Infrared LED and Silicon Detector | Emitter | SMD



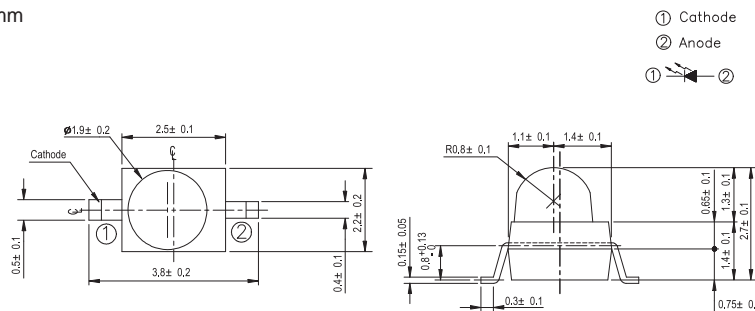
UNIT : mm



Product	Size (LxWxHmm)	λ_p (nm)	V_F Typ (V)	V_F Max (V)	I_{e_Min} (mW/sr)	I_{e_Typ} (mW/sr)	Viewing Angle (°)
HIR89-01C/1R	3.1x2.25x1.6	850	1.4	1.7	25	55	30
IR89-01C/L447/1R	3.1x2.25x1.6	940	1.75	2.2	40	60	30



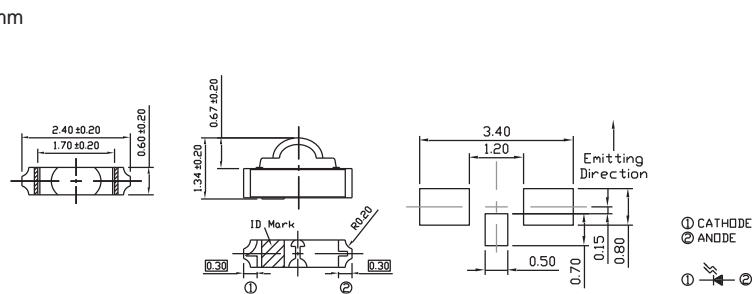
UNIT : mm



Product	Size (LxWxHmm)	λ_p (nm)	V_F Typ (V)	V_F Max (V)	I_{e_Min} (mW/sr)	I_{e_Typ} (mW/sr)	Viewing Angle (°)
IR91-21C	2.5x2.2x2.7	940	1.2	1.5	3	5	25
IR91-21C/TR7	2.5x2.2x2.7	940	1.2	1.5	3	5	25
IR91-21C/TR10	2.5x2.2x2.7	940	1.2	1.5	3	5	25



UNIT : mm

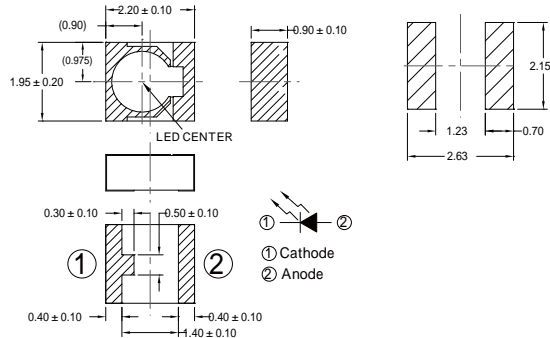


Product	Size (LxWxHmm)	λ_p (nm)	V_F Typ (V)	V_F Max (V)	I_{e_Min} (mW/sr)	I_{e_Typ} (mW/sr)	Viewing Angle (°)
IR12-206C/L268/TR8	2.4x1.34x0.6	940	1.2	1.4	0.5	1.2	160(X) 120(Y)

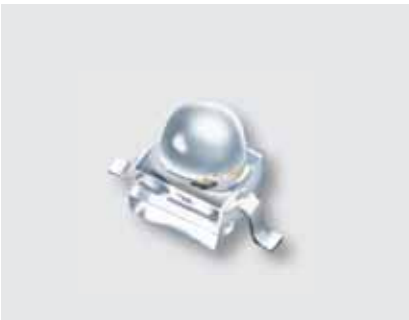
Infrared LED and Silicon Detector | Emitter | SMD



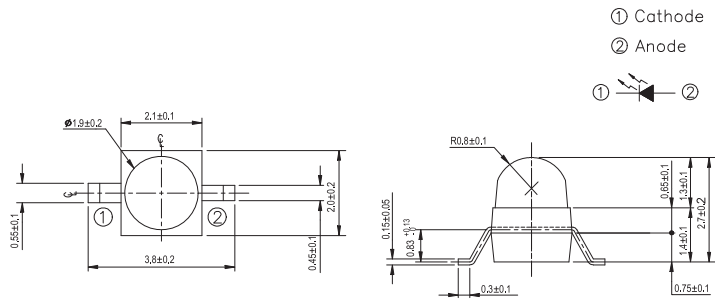
UNIT : mm



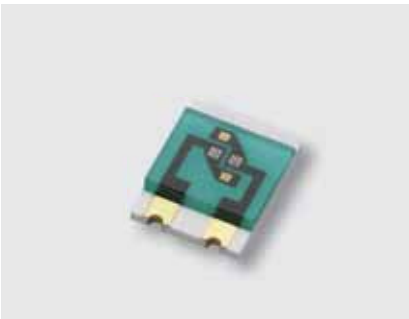
Product	Size (LxWxHmm)	λ_p (nm)	V_F Typ (V)	V_F Max (V)	I_{e_Min} (mW/sr)	I_{e_Typ} (mW/sr)	Viewing Angle (°)
HIR91-01C/L297/2T	2.2x1.95x0.9	850	1.6	2	25	40	40



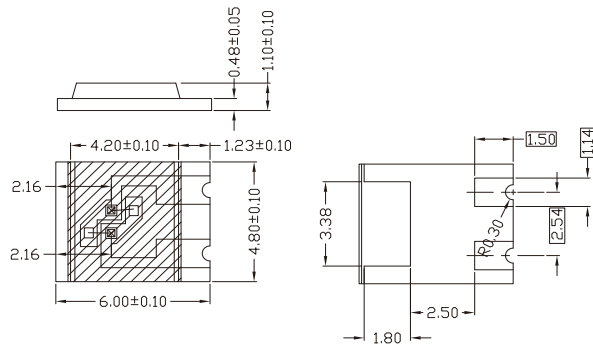
UNIT : mm



Product	Size (LxWxHmm)	λ_p (nm)	V_F Typ (V)	V_F Max (V)	I_{e_Min} (mW/sr)	I_{e_Typ} (mW/sr)	Viewing Angle (°)
IR95-21C/TR7	2.1x2x2.7	940	1.2	1.5	3	5	25



UNIT : mm

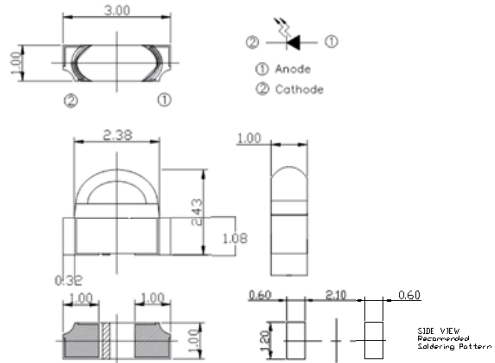


Product	Size (LxWxHmm)	λ_p (nm)	V_F Typ (V)	V_F Max (V)	I_{e_Min} (mW/sr)	I_{e_Typ} (mW/sr)	Viewing Angle (°)
IRR60-48C/TR8	6x4.8x1.1	660/905	2.02/1.25	2.17/1.38	0.5/0.5	1.63/0.92	125/145

Infrared LED and Silicon Detector | Emitter | SMD

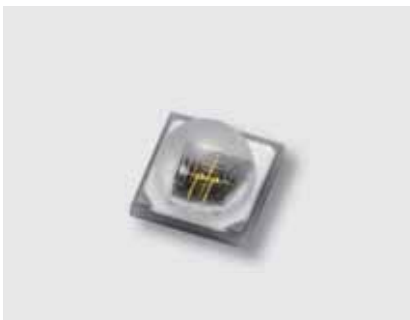


UNIT : mm

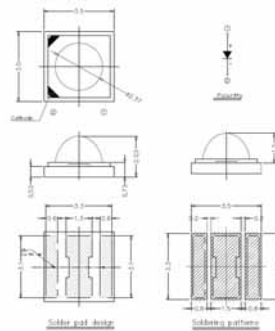


Product	Size (LxWxHmm)	λ_p (nm)	V_F Typ (V)	V_F Max (V)	I_e Min (mW/sr)	I_e Typ (mW/sr)	Viewing Angle (°)
IR26-91C/L510/2D	3x2.43x1	940	1.3	1.5	-	8	130(X)20(Y)

Infrared LED and Silicon Detector | Emitter | High Power



UNIT : mm

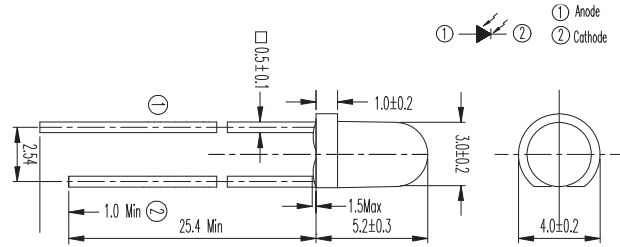


Product	Size (LxWxHmm)	λ_p (nm)	V_F Typ (V) (If = 350mA)	I_e Typ (mW/sr) (If = 350mA)	Power Typ (mW) (If = 350mA)	Viewing Angle (°)
HIR-C19D/L298-P01/TR	3.5x3.5x2.36	850	1.7	85	260	100
IR-C19-N/L482-P01/TR	3.5x3.5x2.36	940	1.6	75	235	105
HIR-C19D-1N90/L558-P03/TR	3.5x3.5x2.36	850	3.1	170	350	90
IR-C19D-N90/L562-P03/TR	3.5x3.5x2.36	940	3.1	170	370	90

Infrared LED and Silicon Detector | Photo Diode | DIP



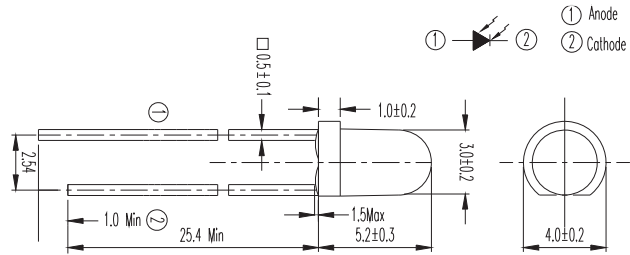
UNIT : mm



Product	Size (mm)	λ_P (nm)	I_L Min (μA)	I_L Typ (μA)	Rise / Fall Time (ns)	BVR_Min (V)	ID_Max (nA)
PD204-6C/L3	3	940	--	10	10 / 10	32	10



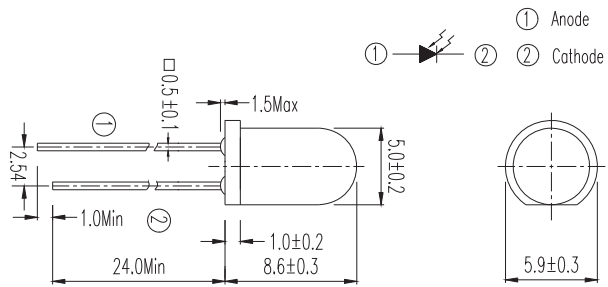
UNIT : mm



Product	Size (mm)	λ_P (nm)	I_L Min (μA)	I_L Typ (μA)	Rise / Fall Time (ns)	BVR_Min (V)	ID_Max (nA)
PD204-6B	3	940	1	3	6 / 6	32	10



UNIT : mm

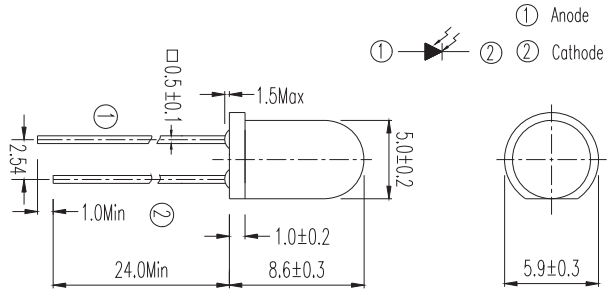


Product	Size (mm)	λ_P (nm)	I_L Min (μA)	I_L Typ (μA)	Rise / Fall Time (ns)	BVR_Min (V)	ID_Max (nA)
PD333-3C/H0/L2	5	940	36	40	45 / 45	32	30

Infrared LED and Silicon Detector | Photo Diode | DIP



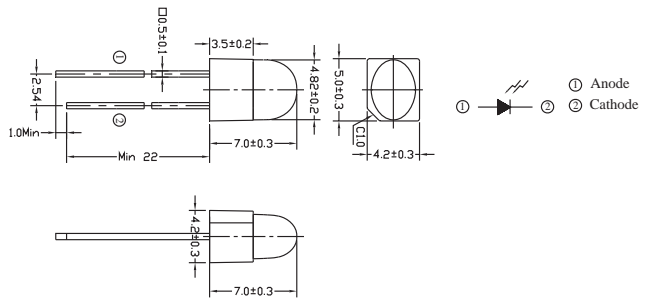
UNIT : mm



Product	Size (mm)	λ_p (nm)	I_L Min (μA)	I_L Typ (μA)	Rise / Fall Time (ns)	BVR_Min (V)	ID_Max (nA)
PD3333-3B/H0/L2	5	940	25	35	45 / 45	32	30



UNIT : mm

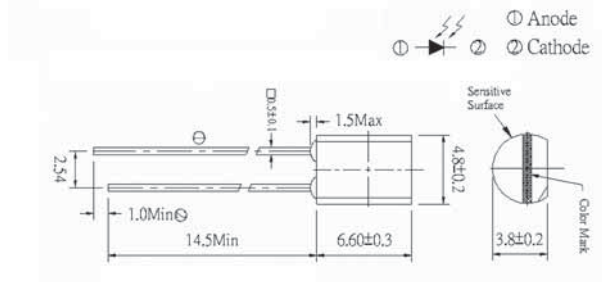


Product	Size (LxWxHmm)	λ_p (nm)	I_L _Min (μA)	I_L _Typ (μA)	Raise / Fall Time (ns)	BVR_Min (V)	ID_Max (nA)
PD5443-3B/L2	5	940	25	35	45/45	32	30

Infrared LED and Silicon Detector | Photo Diode | Side Look



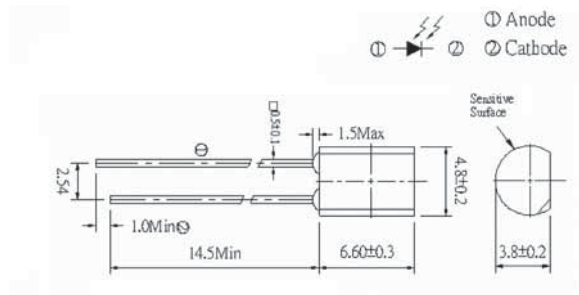
UNIT : mm



Product	Size (LxWxHmm)	λ_P (nm)	I_L Min (μA)	I_L Typ (μA)	Rise / Fall Time (ns)	BVR_Min.(V)	ID_Max (nA)
PD438C	4.8x3.8x6.6	940	10.2	18	50 / 50	32	30
PD438C/S46	4.8x3.8x6.6	940	10.2	18	50 / 50	32	30



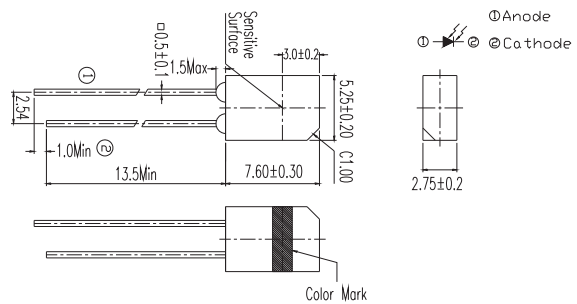
UNIT : mm



Product	Size (LxWxHmm)	λ_P (nm)	I_L Min (μA)	I_L Typ (μA)	Rise / Fall Time (ns)	BVR_Min.(V)	ID_Max (nA)
PD438B	4.8x3.8x6.6	940	10.2	18	50 / 50	32	30
PD438B/L1	4.8x3.8x6.6	940	2.6	4	10 / 10	32	10
PD438B/S46	4.8x3.8x6.6	940	10.2	18	50 / 50	32	30



UNIT : mm

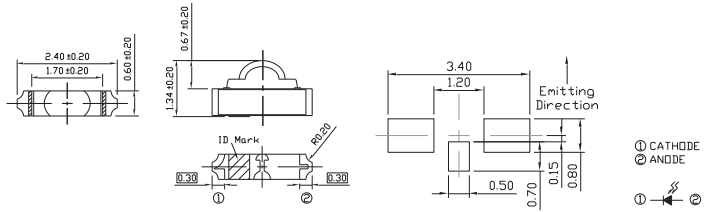


Product	Size (LxWxHmm)	λ_P (nm)	I_L Min (μA)	I_L Typ (μA)	Rise / Fall Time (ns)	BVR_Min.(V)	ID_Max (nA)
PD638B	5.2x2.75x7.6	940	10.2	18	50 / 50	32	30

Infrared LED and Silicon Detector | Photo Diode | SMD



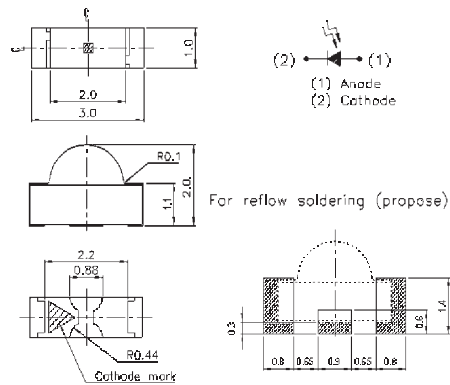
UNIT : mm



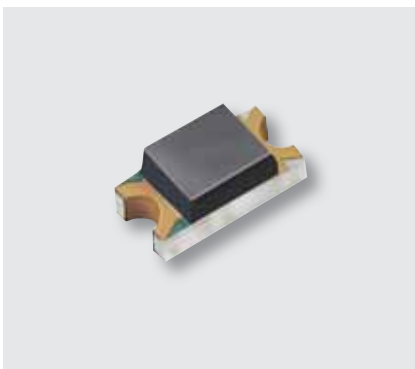
Product	Size (LxWxHmm)	λ_p (nm)	I_L Min (μA)	I_L Typ (μA)	Rise / Fall Time (ns)	BVR_Min.(V)	ID_Max (nA)
PD12-206B/L512/TR8	2.4x1.34x0.6	875	--	0.7	830 / 460	33	10



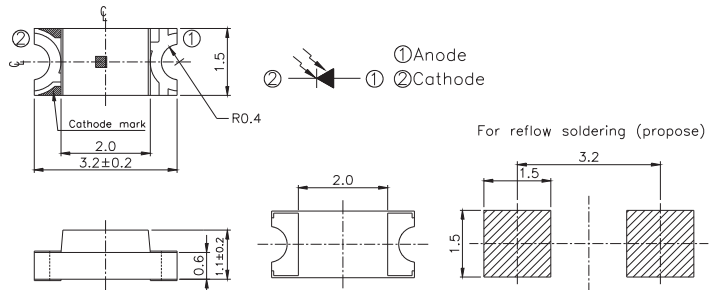
UNIT : mm



Product	Size (LxWxHmm)	λ_p (nm)	I_L Min (μA)	I_L Typ (μA)	Rise / Fall Time (ns)	BVR_Min.(V)	ID_Max (nA)
PD12-21B/L458/TR8	3x2x1	940	1.3	1.5	6 / 6	33	10

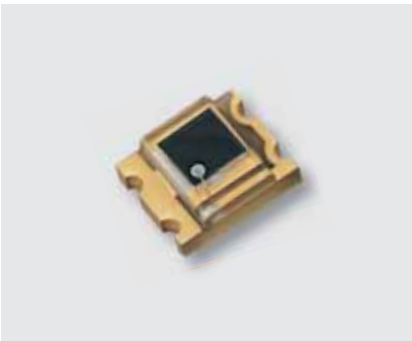


UNIT : mm

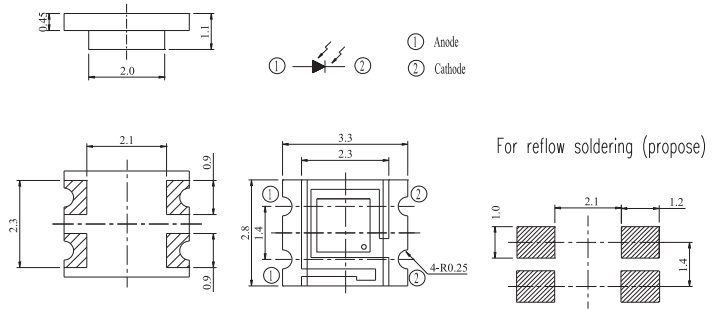


Product	Size (LxWxHmm)	λ_p (nm)	I_L Min (μA)	I_L Typ (μA)	Rise / Fall Time (ns)	BVR_Min.(V)	ID_Max (nA)
PD15-21B/TR8	3.2x1.5x1.1	940	0.2	0.8	6 / 6	32	10

Infrared LED and Silicon Detector | Photo Diode | SMD



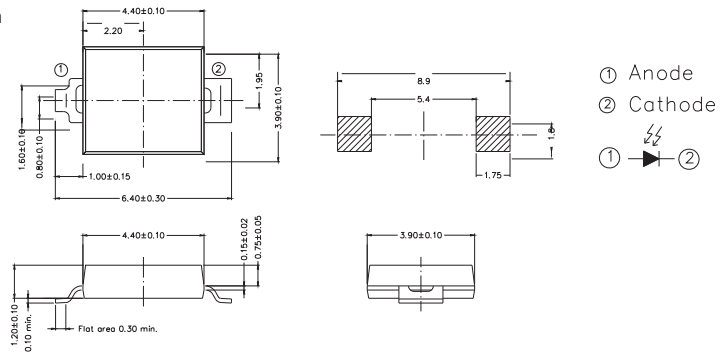
UNIT : mm



Product	Size (LxWxHmm)	λ_p (nm)	I_L Min (μA)	I_L Typ (μA)	Rise / Fall Time (ns)	BVR_Min.(V)	ID_Max (nA)
PD15-22C/TR8	3.3x2.8x1.1	940	4.2	6.5	10 / 10	32	10



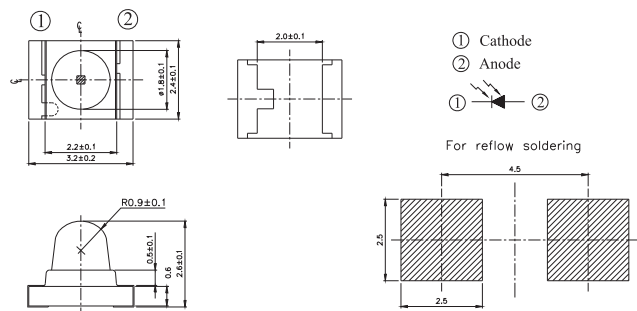
UNIT : mm



Product	Size (LxWxHmm)	λ_p (nm)	I_L Min (μA)	I_L Typ (μA)	Rise / Fall Time (ns)	BVR_Min.(V)	ID_Max (nA)
PD70-01B/TR7	4.4x3.9x1.2	940	17	25	50 / 50	32	30
PD70-01C/TR7	4.4x3.9x1.2	940	17	25	50 / 50	32	30



UNIT : mm

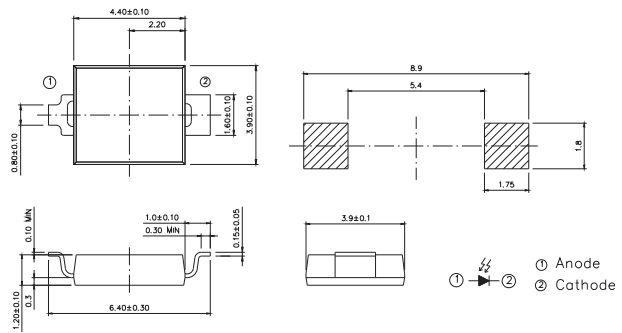


Product	Size (LxWxHmm)	λ_p (nm)	I_L Min (μA)	I_L Typ (μA)	Rise / Fall Time (ns)	BVR_Min.(V)	ID_Max (nA)
PD42-21B/TR8	3.2x2.4x2.6	940	2	4	6 / 6	32	10
PD42-21C/TR8	3.2x2.4x2.6	940	2	5	6 / 6	32	10

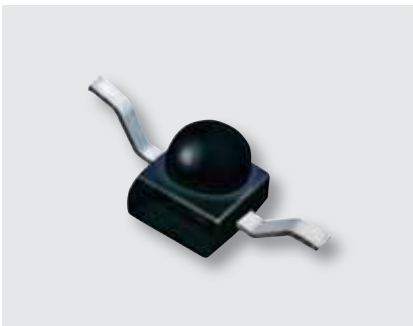
Infrared LED and Silicon Detector | Photo Diode | SMD



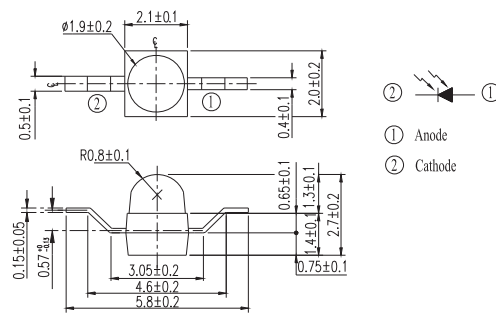
UNIT : mm



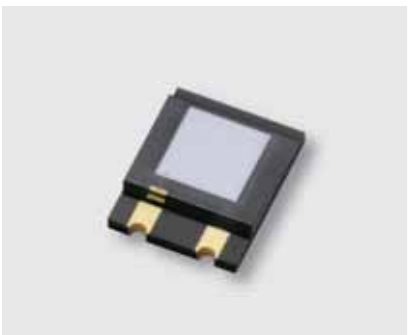
Product	Size (LxWxHmm)	λ_p (nm)	I_L Min (μA)	I_L Typ (μA)	Rise / Fall Time (ns)	BVR_Min.(V)	ID_Max (nA)
PD70-01B/TR10	4.4x3.9x1.2	940	17	25	50 / 50	32	30
PD70-01C/TR10	4.4x3.9x1.2	940	17	25	50 / 50	32	30



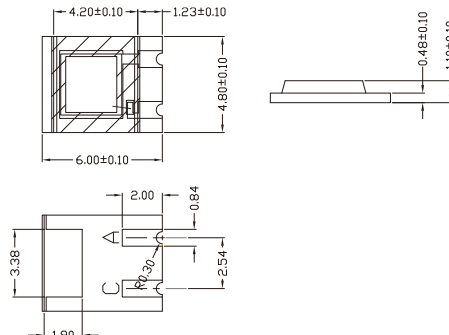
UNIT : mm



Product	Size (LxWxHmm)	λ_p (nm)	I_L Min (μA)	I_L Typ (μA)	Rise / Fall Time (ns)	BVR_Min.(V)	ID_Max (nA)
PD95-21B/TR10	2.1x2x2.7	940	1	4	6 / 6	32	10



UNIT : mm

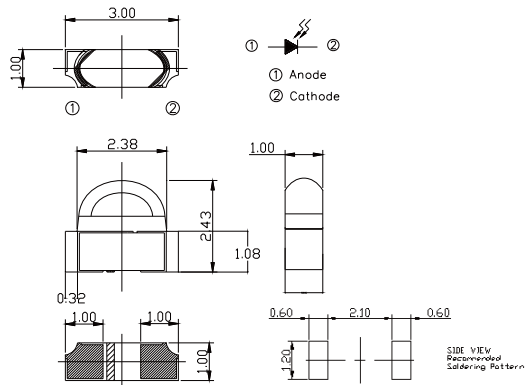


Product	Size (LxWxHmm)	λ_p (nm)	I_L Min (μA)	I_L Typ (μA)	Raise / Fall Time (ns)	BVR_Min (V)	ID_Max (nA)
PD60-48C/TR8	6x4.8x1.1	940	17	33.5	50/50	32	20

Infrared LED and Silicon Detector | Photo Diode | SMD



UNIT : mm

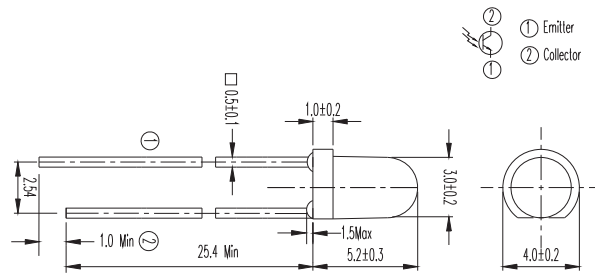


Product	Size (LxWxHmm)	λ_p (nm)	I_L Min (μA)	I_L Typ (μA)	Rise / Fall Time (ns)	BVR_Min.(V)	ID_Max (nA)
PD26-91B/L458/2C	3x2.43x1	940	-	2	600/600	33	10

Infrared LED and Silicon Detector | Photo Transistor | DIP



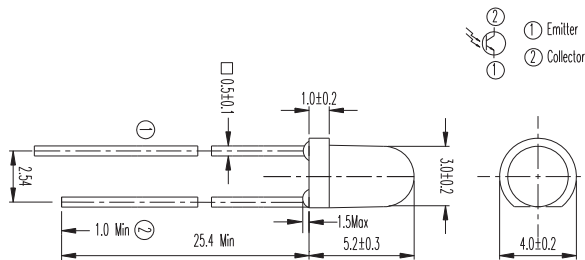
UNIT : mm



Product	Size (mm)	λ_p (nm)	Rise / Fall Time (μs)	$V_{CE(SAT)}_{Max}$ (V)	$I_{C(ON)}_{Min}$ (mA)	$I_{C(ON)}_{Typ}$ (mA)	$I_{C(ON)}_{Max}$ (mA)
PT204-6C	3	940	15 / 15	0.4	0.7	2	--



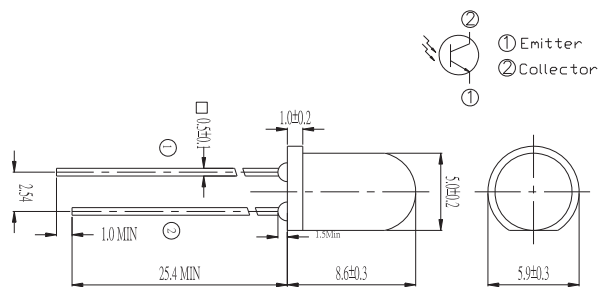
UNIT : mm



Product	Size (mm)	λ_p (nm)	Rise / Fall Time (μs)	$V_{CE(SAT)}_{Max}$ (V)	$I_{C(ON)}_{Min}$ (mA)	$I_{C(ON)}_{Typ}$ (mA)	$I_{C(ON)}_{Max}$ (mA)
PT204-6B	3	940	15 / 15	0.4	0.7	--	5.07

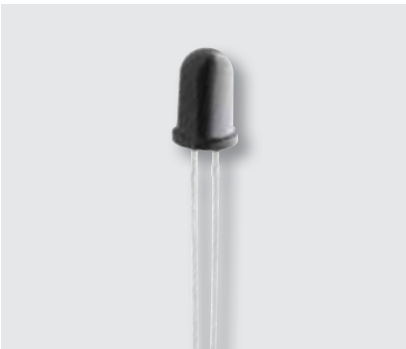


UNIT : mm

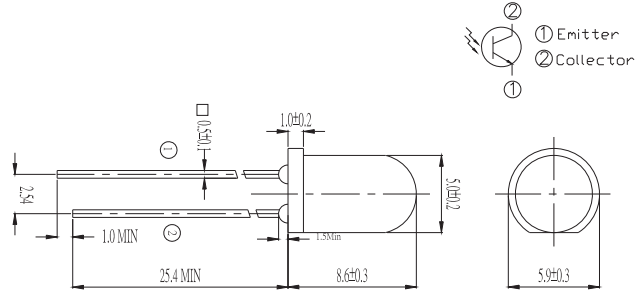


Product	Size (mm)	λ_p (nm)	Rise / Fall Time (μs)	$V_{CE(SAT)}_{Max}$ (V)	$I_{C(ON)}_{Min}$ (mA)	$I_{C(ON)}_{Typ}$ (mA)	$I_{C(ON)}_{Max}$ (mA)
PT333-3C	5	940	15 / 15	0.4	0.7	4	--

Infrared LED and Silicon Detector | Photo Transistor | DIP



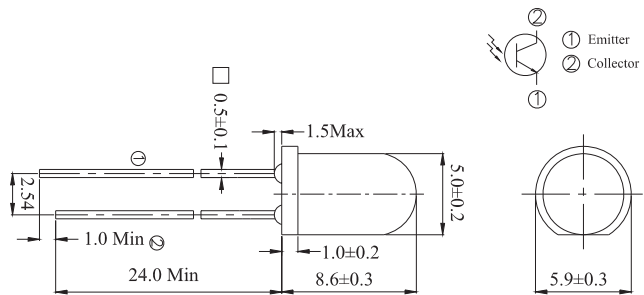
UNIT : mm



Product	Size (mm)	λ_P (nm)	Rise / Fall Time (μ s)	$V_{CE(SAT)}_{Max}$ (V)	$I_{C(ON)}_{Min}$ (mA)	$I_{C(ON)}_{Typ}$ (mA)	$I_{C(ON)}_{Max}$ (mA)
PT333-3B	5	940	15 / 15	0.4	0.7	3	--



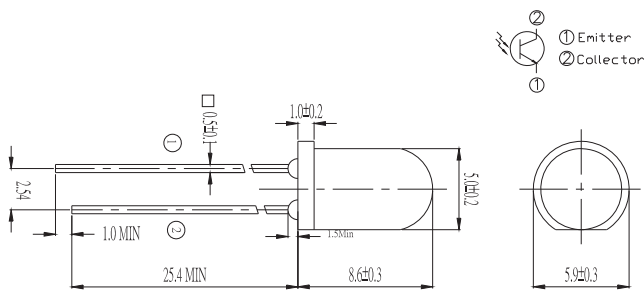
UNIT : mm



Product	Size (mm)	λ_P (nm)	Rise / Fall Time (μ s)	$V_{CE(SAT)}_{Max}$ (V)	$I_{C(ON)}_{Min}$ (mA)	$I_{C(ON)}_{Typ}$ (mA)	$I_{C(ON)}_{Max}$ (mA)
PT334-6C	5	940	15 / 15	0.4	1.77	3.5	--



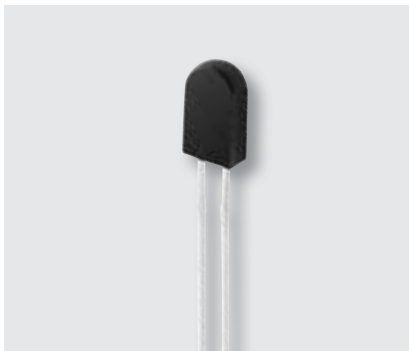
UNIT : mm



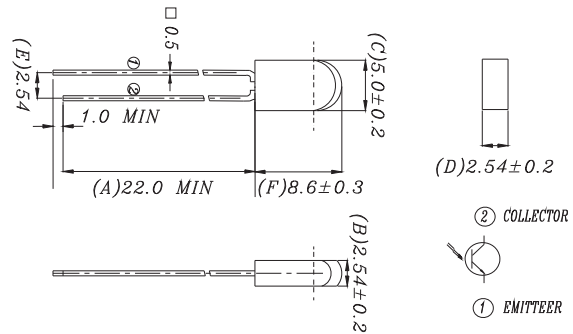
Product	Size (mm)	λ_P (nm)	Rise / Fall Time (μ s)	$V_{CE(SAT)}_{Max}$ (V)	$I_{C(ON)}_{Min}$ (mA)	$I_{C(ON)}_{Typ}$ (mA)	$I_{C(ON)}_{Max}$ (mA)
PT334-6B	5	940	15 / 15	0.4	0.7	2	--

Infrared LED and Silicon Detector | Photo Transistor | DIP

Infrared LED and Silicon Detector



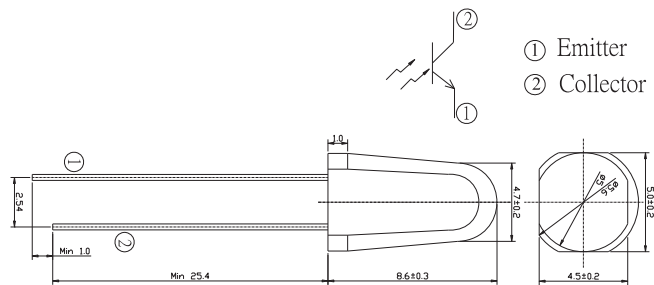
UNIT : mm



Product	Size (mm)	λ_P (nm)	Rise / Fall Time (μ s)	$V_{CE(SAT_Max)}$ (V)	$I_{C(ON_Min)}$ (mA)	$I_{C(ON_Typ)}$ (mA)	$I_{C(ON_Max)}$ (mA)
PT534-6B	5	940	15 / 15	0.4	0.7	1.2	--



UNIT : mm

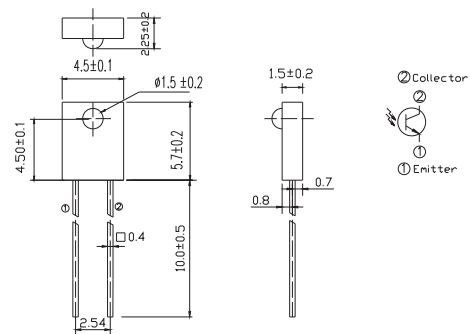


Product	Size (mm)	λ_P (nm)	Rise / Fall Time (μ s)	$V_{CE(SAT_Max)}$ (V)	$I_{C(ON_Min)}$ (mA)	$I_{C(ON_Typ)}$ (mA)	$I_{C(ON_Max)}$ (mA)
PT1504-6B	5	940	15 / 15	0.4	1.77	4	--

Infrared LED and Silicon Detector | Photo Transistor | Side Look



UNIT : mm

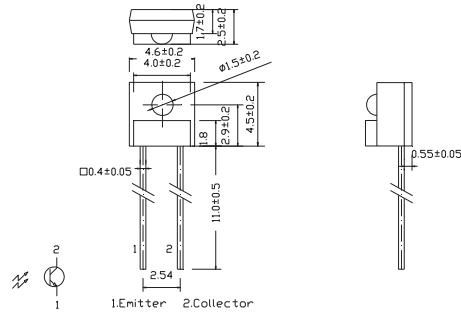


Product	Size (LxWxHmm)	λ_P (nm)	Rise / Fall Time (μ s)	$V_{CE(SAT_Max)}$ (V)	$I_{C(ON_Min)}$ (mA)	$I_{C(ON_Typ)}$ (mA)	$I_{C(ON_Max)}$ (mA)
PT908-7B-F	4.5x2.25x5.7	940	15 / 15	0.4	0.8	--	5
PT908-7C-F	4.5x2.25x5.7	940	15 / 15	0.4	0.8	--	5

Infrared LED and Silicon Detector | Photo Transistor | Side Look



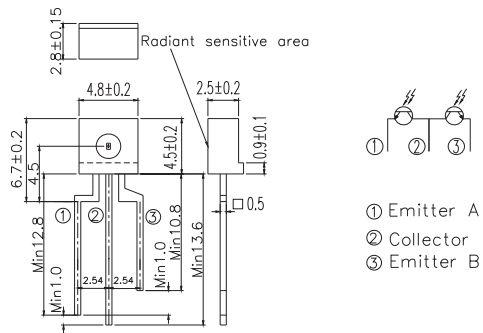
UNIT : mm



Product	Size (LxWxHmm)	λ_P (nm)	Rise / Fall Time (μs)	$V_{CE(SAT)}_{Max}$ (V)	$I_{C(ON)}_{Min}$ (mA)	$I_{C(ON)}_{Typ}$ (mA)	$I_{C(ON)}_{Max}$ (mA)
PT928-6B-F	4.6x2.5x4.5	940	15 / 15	0.4	0.53	--	3.41
PT928-6C-F	4.6x2.5x4.5	940	15 / 15	0.4	0.53	--	3.41



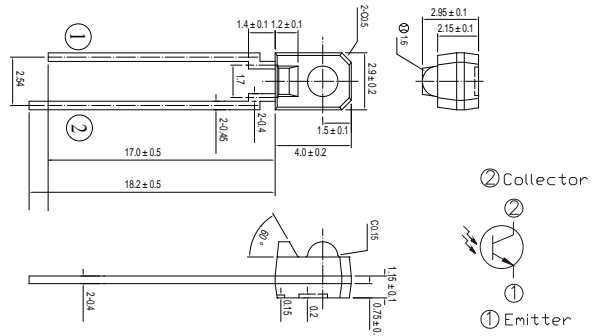
UNIT : mm



Product	Size (LxWxHmm)	λ_P (nm)	Rise / Fall Time (μs)	$V_{CE(SAT)}_{Max}$ (V)	$I_{C(ON)}_{Min}$ (mA)	$I_{C(ON)}_{Typ}$ (mA)	$I_{C(ON)}_{Max}$ (mA)
PT2559B/L2-F	4.8x2.8x4.5	940	15 / 15	0.4	0.129	--	1.085
PT2559B/L2/H2-F	4.8x2.8x4.5	940	15 / 15	0.4	0.129	--	1.085
PT5529B/L2-F	4.8x2.8x4.5	940	15 / 15	0.4	0.129	--	1.085
PT5529B/L2/H2-F	4.8x2.8x4.5	940	15 / 15	0.4	0.129	--	1.085



UNIT : mm

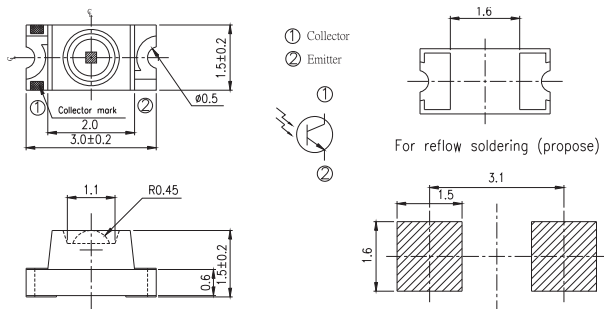


Product	Size (LxWxHmm)	λ_P (nm)	Rise / Fall Time (μs)	$V_{CE(SAT)}_{Max}$ (V)	$I_{C(ON)}_{Min}$ (mA)	$I_{C(ON)}_{Typ}$ (mA)	$I_{C(ON)}_{Max}$ (mA)
PT968-8C	2.9x2.9x4	940	15 / 15	0.4	1.59	--	3.41

Infrared LED and Silicon Detector | Photo Transistor | SMD



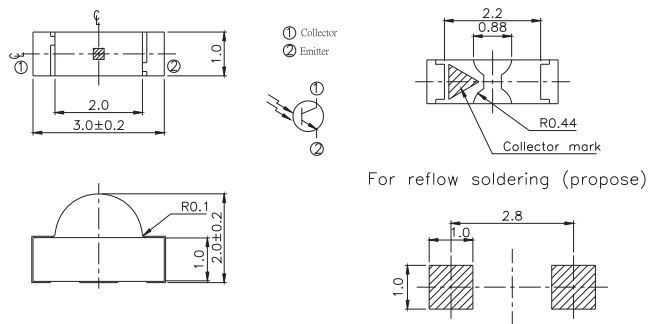
UNIT : mm



Product	Size (LxWxHmm)	λ_P (nm)	Rise / Fall Time (μs)	$V_{CE(SAT)}_{Max}$ (V)	$I_{C(ON)}_{Min}$ (mA)	$I_{C(ON)}_{Typ}$ (mA)	$I_{C(ON)}_{Max}$ (mA)
PT11-21C/L41/TR8	3x1.5x1.5	940	15 / 15	0.4	0.3	0.8	--



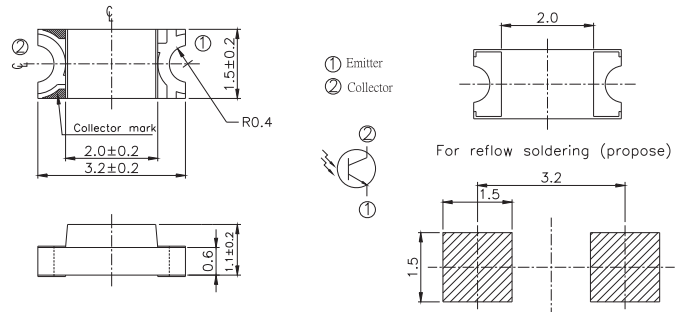
UNIT : mm



Product	Size (LxWxHmm)	λ_P (nm)	Rise / Fall Time (μs)	$V_{CE(SAT)}_{Max}$ (V)	$I_{C(ON)}_{Min}$ (mA)	$I_{C(ON)}_{Typ}$ (mA)	$I_{C(ON)}_{Max}$ (mA)
PT12-21B/TR8	3x1x2	940	15 / 15	0.4	0.3	6.04	--
PT12-21C/TR8	3x1x2	940	15 / 15	0.4	0.3	1.14	--

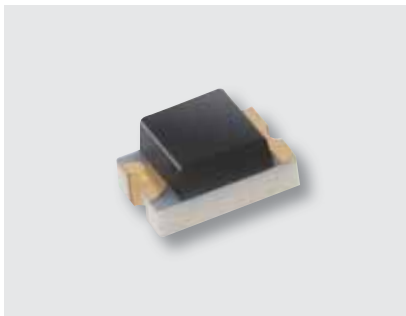


UNIT : mm

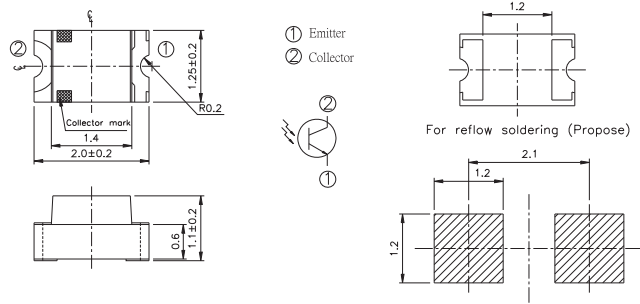


Product	Size (LxWxHmm)	λ_P (nm)	Rise / Fall Time (μs)	$V_{CE(SAT)}_{Max}$ (V)	$I_{C(ON)}_{Min}$ (mA)	$I_{C(ON)}_{Typ}$ (mA)	$I_{C(ON)}_{Max}$ (mA)
PT15-21B/TR8	3.2x1.5x1.1	940	15 / 15	0.4	0.1	0.3	--
PT15-21C/TR8	3.2x1.5x1.1	940	15 / 15	0.4	0.1	0.3	--

Infrared LED and Silicon Detector | Photo Transistor | SMD



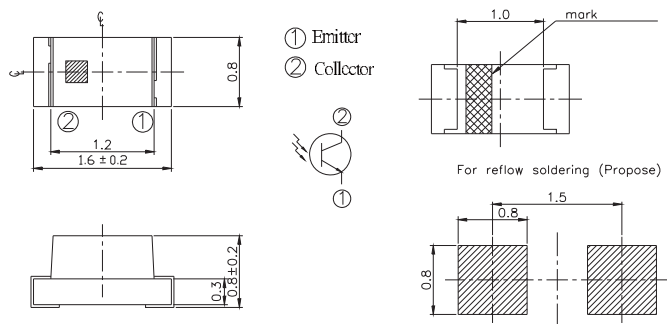
UNIT : mm



Product	Size (LxWxHmm)	λ_P (nm)	Rise / Fall Time (μs)	$V_{CE(SAT_Max)}$ (V)	$I_{C(ON_Min)}$ (mA)	$I_{C(ON_Typ)}$ (mA)	$I_{C(ON_Max)}$ (mA)
PT17-21B/L41/TR8	2x1.25x1.1	940	15 / 15	0.4	0.1	0.65	--
PT17-21C/L41/TR8	2x1.25x1.1	940	15 / 15	0.4	0.3	1	--



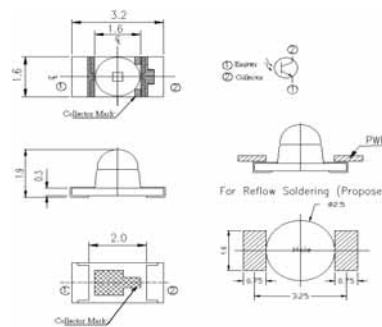
UNIT : mm



Product	Size (LxWxHmm)	λ_P (nm)	Rise / Fall Time (μs)	$V_{CE(SAT_Max)}$ (V)	$I_{C(ON_Min)}$ (mA)	$I_{C(ON_Typ)}$ (mA)	$I_{C(ON_Max)}$ (mA)
PT19-21B/L41/TR8	1.6x0.8x0.8	940	15 / 15	0.4	0.3	0.6	--
PT19-21C/L41/TR8	1.6x0.8x0.8	940	15 / 15	0.4	0.3	0.6	--



UNIT : mm

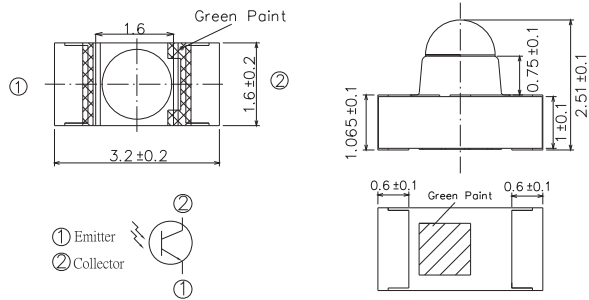


Product	Size (LxWxHmm)	λ_P (nm)	Rise / Fall Time (μs)	$V_{CE(SAT_Max)}$ (V)	$I_{C(ON_Min)}$ (mA)	$I_{C(ON_Typ)}$ (mA)	$I_{C(ON_Max)}$ (mA)
PT26-21B/TR8	3.2x1.6x1.85	940	15 / 15	0.4	--	2.6	--
PT26-21C/TR8	3.2x1.6x1.85	940	15 / 15	0.4	0.3	2.6	--

Infrared LED and Silicon Detector | Photo Transistor | SMD



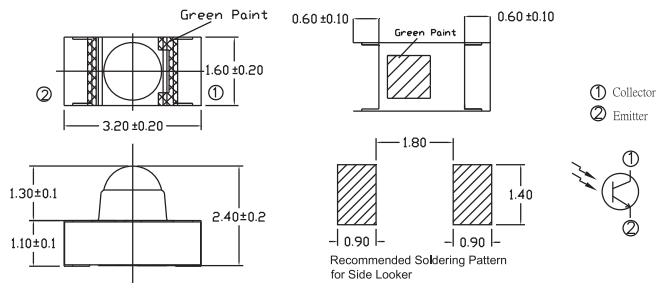
UNIT : mm



Product	Size (LxWxHmm)	λ_P (nm)	Rise / Fall Time (μs)	$V_{CE(SAT_Max)}$ (V)	$I_{C(ON)_Min}$ (mA)	$I_{C(ON)_Typ}$ (mA)	$I_{C(ON)_Max}$ (mA)
PT26-51B/TR8	3.2x1.6x2.5	940	15 / 15	0.4	--	1	--



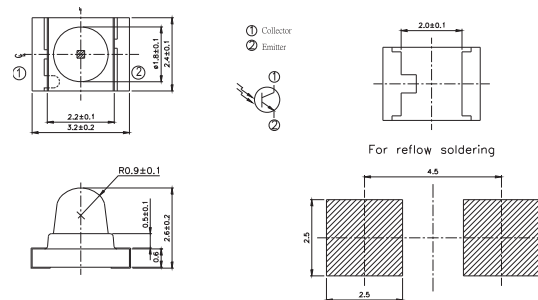
UNIT : mm



Product	Size (LxWxHmm)	λ_P (nm)	Rise / Fall Time (μs)	$V_{CE(SAT_Max)}$ (V)	$I_{C(ON)_Min}$ (mA)	$I_{C(ON)_Typ}$ (mA)	$I_{C(ON)_Max}$ (mA)
PT26-71B/TR8	3.2x1.6x2.4	940	15/15	0.4	1.14	3	--



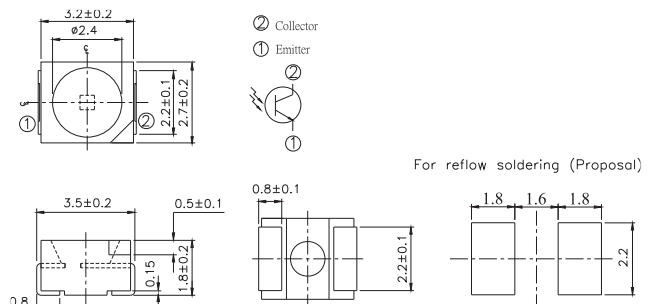
UNIT : mm



Product	Size (LxWxHmm)	λ_P (nm)	Rise / Fall Time (μs)	$V_{CE(SAT_Max)}$ (V)	$I_{C(ON)_Min}$ (mA)	$I_{C(ON)_Typ}$ (mA)	$I_{C(ON)_Max}$ (mA)
PT42-21B/TR8	3.2x2.4x2.6	940	15 / 15	0.4	1.7	3	--



UNIT : mm

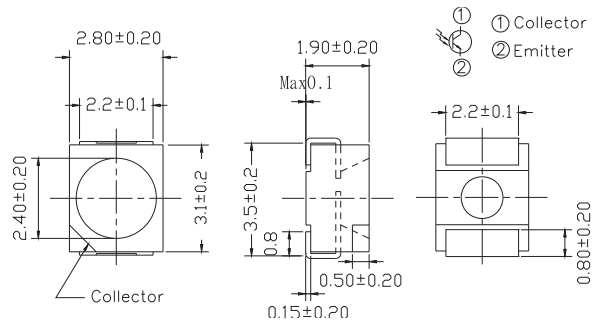


Product	Size (LxWxHmm)	λ_P (nm)	Rise / Fall Time (μs)	$V_{CE(SAT_Max)}$ (V)	$I_{C(ON)_Min}$ (mA)	$I_{C(ON)_Typ}$ (mA)	$I_{C(ON)_Max}$ (mA)
PT67-21B/C14/TR8	3.5x2.7x1.8	940	15 / 15	0.4	0.16	--	0.8

Infrared LED and Silicon Detector | Photo Transistor | SMD



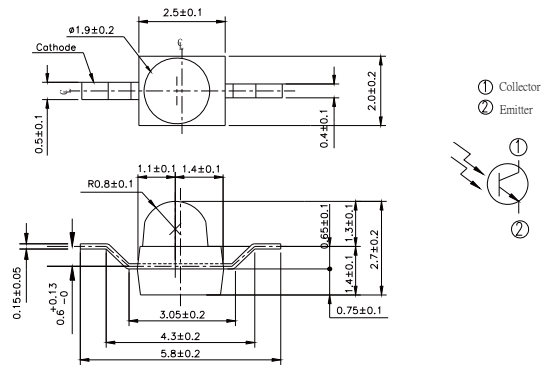
UNIT : mm



Product	Size (LxWxHmm)	λ_P (nm)	Rise / Fall Time (μs)	$V_{CE(SAT_Max)}$ (V)	$I_{C(ON)_Min}$ (mA)	$I_{C(ON)_Typ}$ (mA)	$I_{C(ON)_Max}$ (mA)
PT67-21C/L41/TR8	3.5x2.8x1.9	940	15 / 15	0.4	0.3	1	--



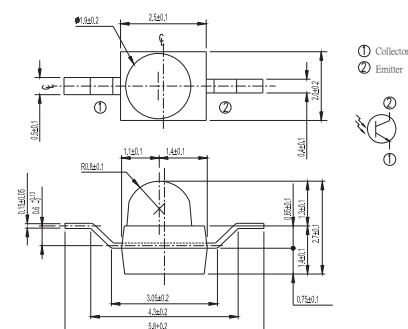
UNIT : mm



Product	Size (LxWxHmm)	λ_P (nm)	Rise / Fall Time (μs)	$V_{CE(SAT_Max)}$ (V)	$I_{C(ON)_Min}$ (mA)	$I_{C(ON)_Typ}$ (mA)	$I_{C(ON)_Max}$ (mA)
PT91-21B	2.5x2x2.7	940	15 / 15	0.4	1	3	--
PT91-21B/TR10	2.5x2x2.7	940	15 / 15	0.4	1	3	--
PT91-21B/TR7	2.5x2x2.7	940	15 / 15	0.4	1	3	--
PT91-21B/TR9	2.5x2x2.7	940	15 / 15	0.4	1	3	--



UNIT : mm

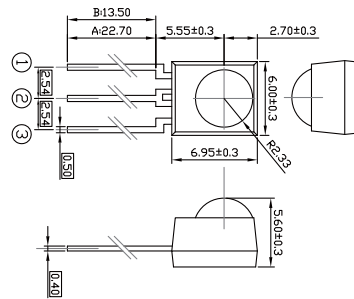


Product	Size (LxWxHmm)	λ_P (nm)	Rise / Fall Time (μs)	$V_{CE(SAT_Max)}$ (V)	$I_{C(ON)_Min}$ (mA)	$I_{C(ON)_Typ}$ (mA)	$I_{C(ON)_Max}$ (mA)
PT91-21C	2.5x2x2.7	940	15 / 15	0.4	1	1.5	--
PT91-21C/TR10	2.5x2x2.7	940	15 / 15	0.4	1	1.5	--
PT91-21C/TR7	2.5x2x2.7	940	15 / 15	0.4	1	1.5	--

Infrared Receiver Module | Short Burst | DIP-Vo – GND – Vcc



UNIT : mm

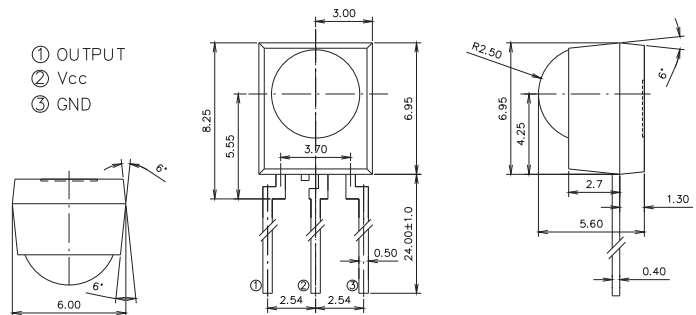


Product	Size (LxWxHmm)	λ_p (nm)	Carrier Freq. (KHz)	Supply Voltage (V)	I_{CC} Typ (mA)	L_{Center} (m)	L_{45} (m)
IRM-3636M ^(A)	8.25x6x5.6	940	36	2.7~5.5	0.4	14	6
IRM-3638M ^(A)	8.25x6x5.6	940	38	2.7~5.5	0.4	14	6
IRM-3656M ^(A)	8.25x6x5.6	940	56	2.7~5.5	0.4	14	6
IRM-3636M-X ^(B)	8.25x6x5.6	940	36	2.7~5.5	0.4	14	6
IRM-3638M-X ^(B)	8.25x6x5.6	940	38	2.7~5.5	0.4	14	6
IRM-3656M-X ^(B)	8.25x6x5.6	940	56	2.7~5.5	0.4	14	6

Infrared Receiver Module | Short Burst | DIP-Vo – Vcc – GND



UNIT : mm

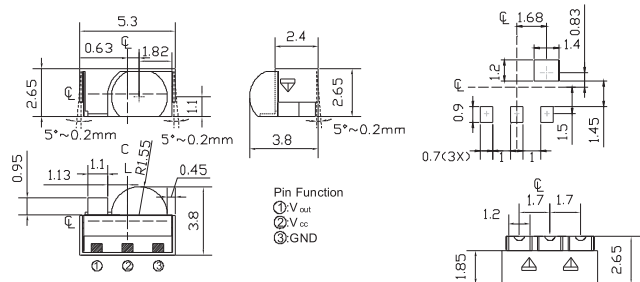


Product	Size (LxWxHmm)	λ_p (nm)	Carrier Freq. (KHz)	Supply Voltage (V)	I_{CC} Typ (mA)	L_{Center} (m)	L_{45} (m)
IRM-3736M	8.25x6x5.6	940	36	2.7~5.5	0.4	14	6
IRM-3738M	8.25x6x5.6	940	38	2.7~5.5	0.4	14	6
IRM-3756M	8.25x6x5.6	940	56	2.7~5.5	0.4	14	6

Infrared Receiver Module | Short Burst | SMD



UNIT : mm

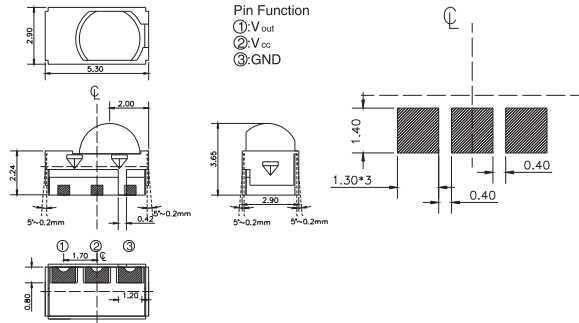


Product	Size (LxWxHmm)	λ_p (nm)	Carrier Freq. (KHz)	Supply Voltage (V)	I_{CC} Typ (mA)	L_{Center} (m)	L_{45} (m)
IRM-V536M/TR1	5.3x3.8x2.65	940	36	2.7~5.5	0.4	8	5
IRM-V538M/TR1	5.3x3.8x2.65	940	38	2.7~5.5	0.4	8	5

Infrared Receiver Module | Short Burst | SMD



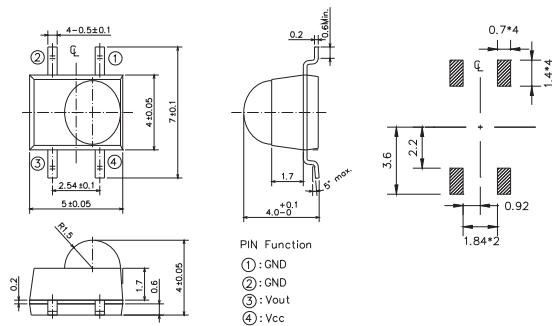
UNIT : mm



Product	Size (LxWxHmm)	λ_p (nm)	Carrier Freq. (KHz)	Supply Voltage (V)	I _{CC} Typ (mA)	L _{Center} (m)	L ₄₅ (m)
IRM-H538M/TR2	5.3x2.9x3.65	940	38	2.7~5.5	0.4	8	5



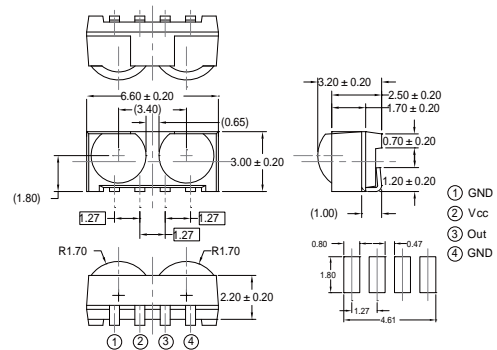
UNIT : mm



Product	Size (LxWxHmm)	λ_p (nm)	Carrier Freq. (KHz)	Supply Voltage (V)	I _{CC} Typ (mA)	L _{Center} (m)	L ₄₅ (m)
IRM-H636M/TR2	5x4x4	940	36	2.7~5.5	0.4	8	5



UNIT : mm

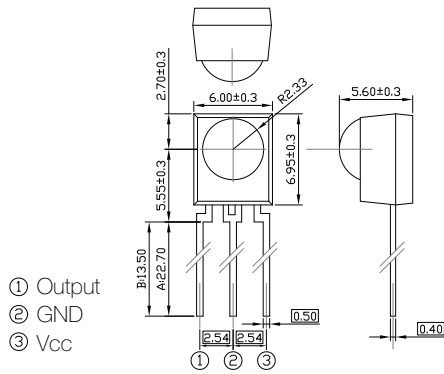


Product	Size (LxWxHmm)	λ_p (nm)	Carrier Freq. (KHz)	Supply Voltage (V)	I _{CC} Typ (mA)	L _{Center} (m)	L ₄₅ (m)
IRM-H838M/TR2	6.6x3x3.2	940	38	2.7~5.5	0.4	8	5

Infrared Receiver Module | Standard Burst | DIP-Vo – GND – Vcc



UNIT : mm

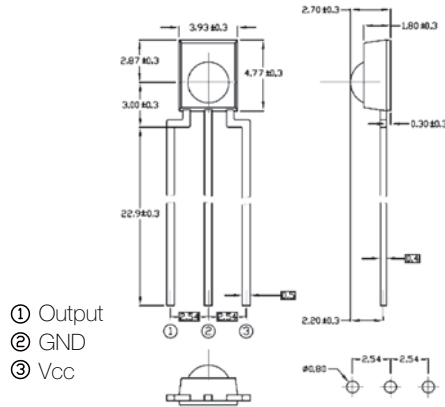


Product	Size (LxWxHmm)	λ_p (nm)	Carrier Freq. (KHz)	Supply Voltage (V)	I_{CC} Typ (mA)	L_{Center} (m)	L_{45} (m)
IRM-3636M3 ^(A)	8.25x6x5.6	940	36	2.7-5.5	0.4	14	6
IRM-3636T ^(A)	8.25x6x5.6	940	36	2.7-5.5	1	14	6
IRM-3638M2 ^(A)	8.25x6x5.6	940	38	2.7-5.5	0.4	14	6
IRM-3638M3 ^(A)	8.25x6x5.6	940	38	2.7-5.5	0.4	14	6
IRM-3638T ^(A)	8.25x6x5.6	940	38	2.7-5.5	1	14	6
IRM-3638C ^(A)	8.25x6x5.6	940	38	2.7-5.5	1	14	6
IRM-3640M2 ^(A)	8.25x6x5.6	940	40	2.7-5.5	0.4	14	6
IRM-3640T ^(A)	8.25x6x5.6	940	40	2.7-5.5	1	14	6
IRM-3640C ^(A)	8.25x6x5.6	940	40	2.7-5.5	1	14	6
IRM-3656M3 ^(A)	8.25x6x5.6	940	56	2.7-5.5	0.4	14	6
IRM-3656T ^(A)	8.25x6x5.6	940	56	2.7-5.5	1	14	6
IRM-3636T-X ^(B)	8.25x6x5.6	940	36	2.7-5.5	1	14	6
IRM-3638M2-X ^(B)	8.25x6x5.6	940	38	2.7-5.5	0.4	14	6
IRM-3638M3-X ^(B)	8.25x6x5.6	940	38	2.7-5.5	0.4	14	6
IRM-3638T-X ^(B)	8.25x6x5.6	940	38	2.7-5.5	1	14	6
IRM-3638C-X ^(B)	8.25x6x5.6	940	38	2.7-5.5	1	14	6
IRM-3640T-X ^(B)	8.25x6x5.6	940	40	2.7-5.5	1	14	6
IRM-3656M3-X ^(B)	8.25x6x5.6	940	56	2.7-5.5	0.4	14	6

Infrared Receiver Module | Standard Burst | DIP-Vo – GND – Vcc



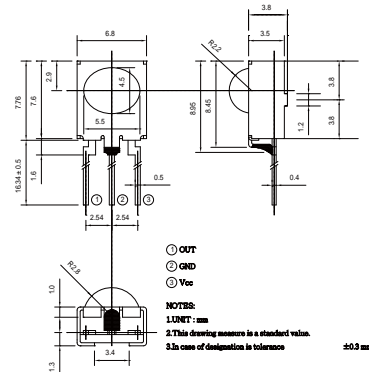
UNIT : mm



Product	Size (LxWxHmm)	λ_p (nm)	Carrier Freq. (KHz)	Supply Voltage (V)	I_{CC} Typ (mA)	L_{Center} (m)	L_{45} (m)
IRM-6636M3	5.87x3.93x2.7	940	36	2.7-5.5	0.4	8	5
IRM-6638M3	5.87x3.93x2.7	940	38	2.7-5.5	0.4	8	5
IRM-6638T	5.87x3.93x2.7	940	38	2.7-5.5	1	8	5
IRM-6640M2	5.87x3.93x2.7	940	40	2.7-5.5	0.4	8	5



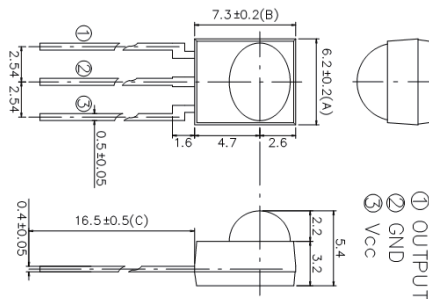
UNIT : mm



Product	Size (LxWxHmm)	λ_p (nm)	Carrier Freq. (KHz)	Supply Voltage (V)	I_{CC} Typ (mA)	L_{Center} (m)	L_{45} (m)
IRM-8601M2	9.2x6.8x6	940	38	2.7-5.5	0.4	8	5



UNIT : mm

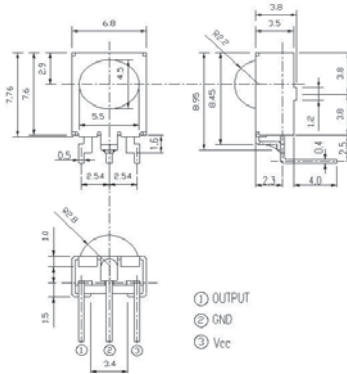


Product	Size (LxWxHmm)	λ_p (nm)	Carrier Freq. (KHz)	Supply Voltage (V)	I_{CC} Typ (mA)	L_{Center} (m)	L_{45} (m)
IRM-8601M2-M	8.9x6.2x5.4	940	38	2.7-5.5	0.4	14	6

Infrared Receiver Module | Standard Burst | DIP-Vo – GND – Vcc



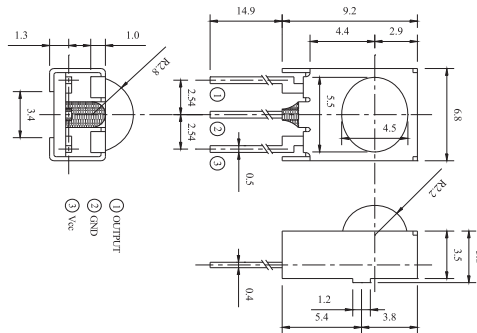
UNIT : mm



Product	Size (LxWxHmm)	λ_p (nm)	Carrier Freq. (KHz)	Supply Voltage (V)	I_{CC} Typ (mA)	L_{Center} (m)	L_{45} (m)
IRM-8602M2	10.3x6.8x5.7	940	38	2.7~5.5	0.4	8	5
IRM-8602M2-2	10.3x6.8x5.7	940	36	2.7~5.5	0.4	8	5



UNIT : mm

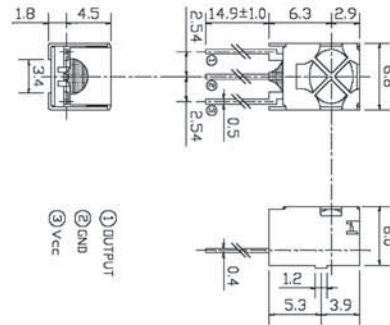


Product	Size (LxWxHmm)	λ_p (nm)	Carrier Freq. (KHz)	Supply Voltage (V)	I_{CC} Typ (mA)	L_{Center} (m)	L_{45} (m)
IRM-8608M2	9.2x6.8x6	940	38	2.7~5.5	0.4	8	5

Infrared Receiver Module | Standard Burst | DIP-Vo – GND – Vcc



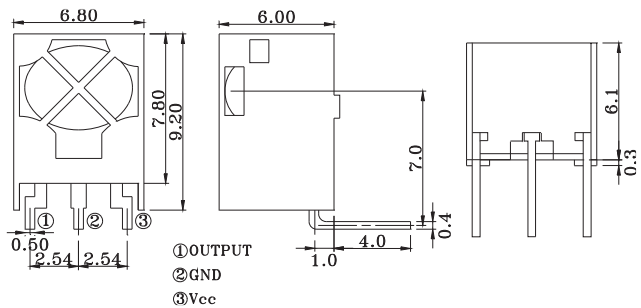
UNIT : mm



Product	Size (LxWxHmm)	λ_p (nm)	Carrier Freq. (KHz)	Supply Voltage (V)	I_{CC} Typ (mA)	L_{Center} (m)	L_{45} (m)
IRM-8751M2	9.2x6.8x6	940	38	2.7-5.5	0.4	8	5



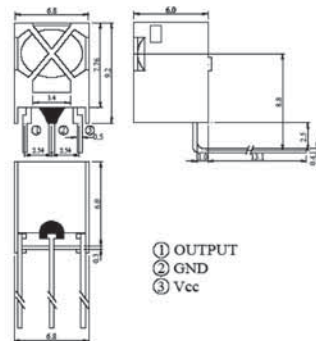
UNIT : mm



Product	Size (LxWxHmm)	λ_p (nm)	Carrier Freq. (KHz)	Supply Voltage (V)	I_{CC} Typ (mA)	L_{Center} (m)	L_{45} (m)
IRM-8752M2	9.2x6.8x6	940	38	2.7-5.5	0.4	8	5
IRM-8752M2-2	9.2x6.8x6	940	36	2.7-5.5	0.4	8	5



UNIT : mm

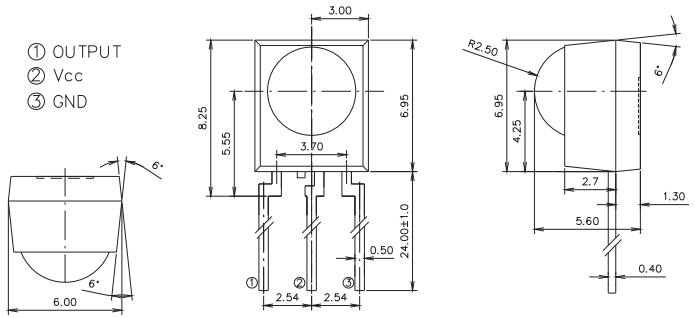


Product	Size (LxWxHmm)	λ_p (nm)	Carrier Freq. (KHz)	Supply Voltage (V)	I_{CC} Typ (mA)	L_{Center} (m)	L_{45} (m)
IRM-8755M2	9.2x6.8x6	940	38	2.7-5.5	0.4	8	5

Infrared Receiver Module | Standard Burst | DIP-Vo – Vcc – GND



UNIT : mm

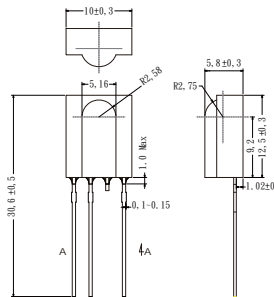


Product	Size (LxWxHmm)	λ_p (nm)	Carrier Freq. (KHz)	Supply Voltage (V)	I_{CC} Typ (mA)	L_{Center} (m)	L_{45} (m)
IRM-3738T	8.25x6x5.6	940	38	2.7-5.5	1	14	6
IRM-3738M3	8.25x6x5.6	940	38	2.7-5.5	0.4	14	6
IRM-3756M3	8.25x6x5.6	940	56	2.7-5.5	0.4	14	6

Infrared Receiver Module | Standard Burst | DIP-GND-Vcc-Vo

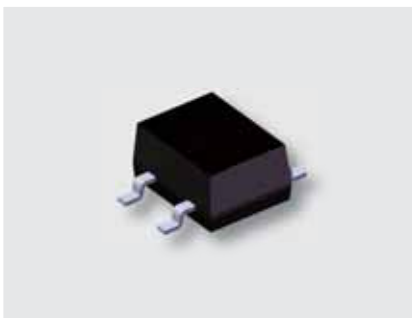


UNIT : mm

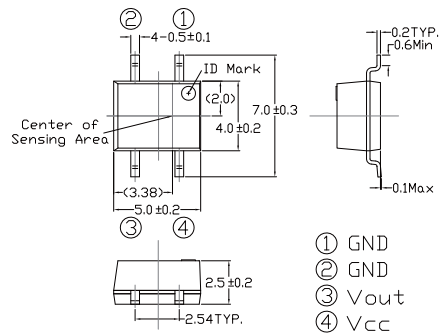


Product	Size (LxWxHmm)	λ_p (nm)	Carrier Freq. (KHz)	Supply Voltage (V)	I_{CC} Typ (mA)	L_{Center} (m)	L_{45} (m)
IRM-8838M3	30.6x10x5.8	940	38	2.7 ~ 5.5	0.4	14	6

Infrared Receiver Module | Standard Burst | SMD



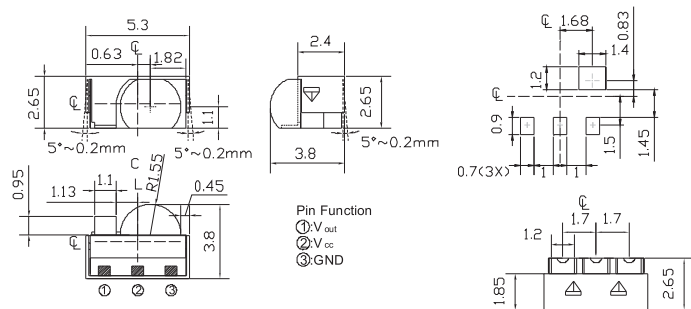
UNIT : mm



Product	Size (LxWxHmm)	λ_p (nm)	Carrier Freq. (KHz)	Supply Voltage (V)	I_{CC} Typ (mA)	L_{Center} (m)	L_{45} (m)
IRM-H936M3/TR2	5x4x2.5	940	36	2.7-5.5	0.4	8	5
IRM-H938M3/TR2	5x4x2.5	940	38	2.7-5.5	0.4	8	5
IRM-H938T/TR2	5x4x2.5	940	36	2.7-5.5	1	8	5



UNIT : mm



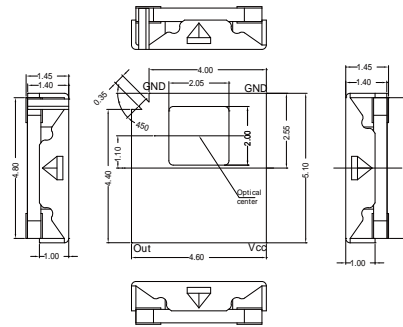
Product	Size (LxWxHmm)	λ_p (nm)	Carrier Freq. (KHz)	Supply Voltage (V)	I_{CC} Typ (mA)	L_{Center} (m)	L_{45} (m)
IRM-V536M3/TR1	5.3x3.8x2.65	940	36	2.7-5.5	0.4	8	5
IRM-V538M3/TR1	5.3x3.8x2.65	940	38	2.7-5.5	0.4	8	5
IRM-V538T/TR1	5.3x3.8x2.65	940	38	2.7-5.5	1	8	5
IRM-V540M2/TR1	5.3x3.8x2.65	940	40	2.7-5.5	0.4	8	5
IRM-V540C/TR1	5.3x3.8x2.65	940	40	2.5-5.5	1	10	6.5

Infrared Receiver Module

Infrared Receiver Module | Standard Burst | SMD



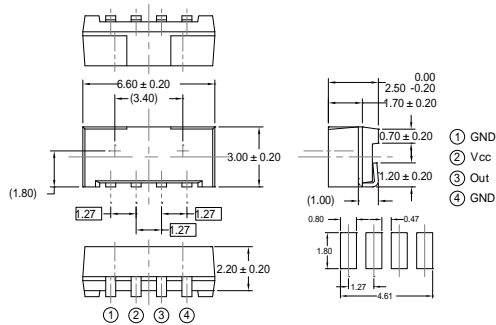
UNIT : mm



Product	Size (LxWxHmm)	λ_p (nm)	Carrier Freq. (KHz)	Supply Voltage (V)	I_{CC} Typ (mA)	L_{Center} (m)	L_{45} (m)
IRM-H236T/TR2	5.1x4.6x1.45	940	36	2.7~5.5	1	8	5
IRM-H236M3/TR2	5.1x4.6x1.45	940	36	2.7~5.5	0.4	8	5
IRM-H238M3/TR2	5.1x4.6x1.45	940	38	2.7~5.5	0.4	8	5
IRM-H238T/TR2	5.1x4.6x1.45	940	38	2.7~5.5	1	8	5
IRM-H240M2/TR2	5.1x4.6x1.45	940	40	2.7~5.5	0.4	8	5
IRM-H240C/TR2	5.1x4.6x1.45	940	40	2.7~5.5	1	8	5



UNIT : mm

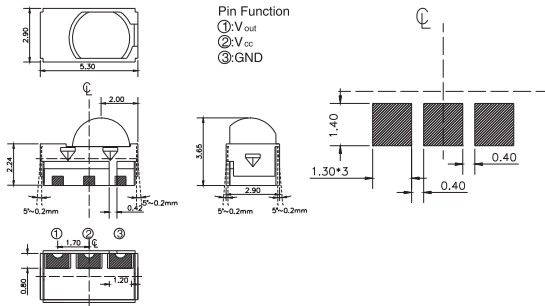


Product	Size (LxWxHmm)	λ_p (nm)	Carrier Freq. (KHz)	Supply Voltage (V)	I_{CC} Typ (mA)	L_{Center} (m)	L_{45} (m)
IRM-H336M3/TR2	6.6x3x2.5	940	36	2.7~5.5	0.4	8	5
IRM-H338M3/TR2	6.6x3x2.5	940	38	2.7~5.5	0.4	8	5

Infrared Receiver Module | Standard Burst | SMD



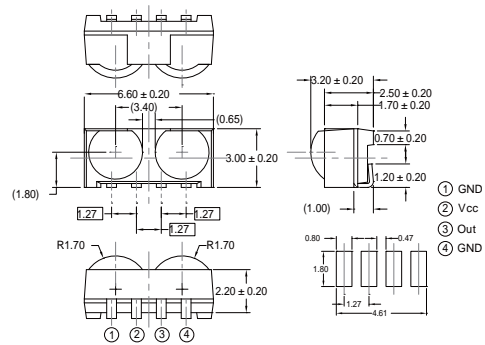
UNIT : mm



Product	Size (LxWxHmm)	λ_p (nm)	Carrier Freq. (KHz)	Supply Voltage (V)	I _{CC} Typ (mA)	L _{Center} (m)	L ₄₅ (m)
IRM-H538M3	5.3x2.9x3.65	940	36	2.7~5.5	0.4	8	5
IRM-H538T/TR2	5.3x2.9x3.65	940	38	2.7~5.5	1	8	5



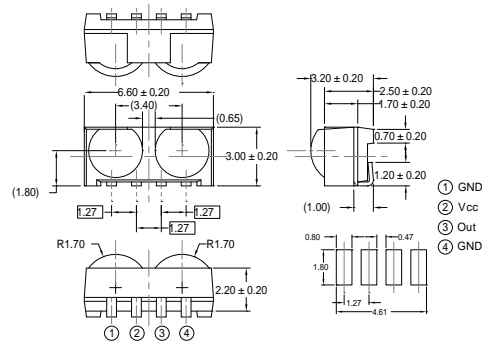
UNIT : mm



Product	Size (LxWxHmm)	λ_p (nm)	Carrier Freq. (KHz)	Supply Voltage (V)	I _{CC} Typ (mA)	L _{Center} (m)	L ₄₅ (m)
IRM-V836M3/TR1	6.6x3x3.2	940	36	2.7~5.5	0.4	8	5
IRM-V838C/TR1	6.6x3x3.2	940	38	2.7~5.5	0.55	8	5
IRM-V838M3/TR1	6.6x3.2x3	940	38	2.7~5.5	0.4	8	5
IRM-V840C/TR1	6.6x3x3.2	940	40	2.7~5.5	0.55	8	5



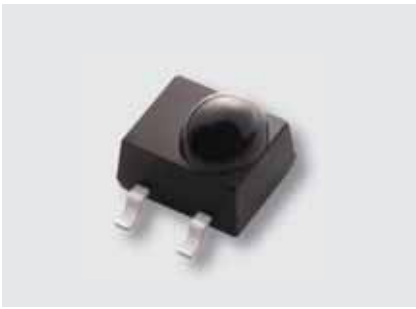
UNIT : mm



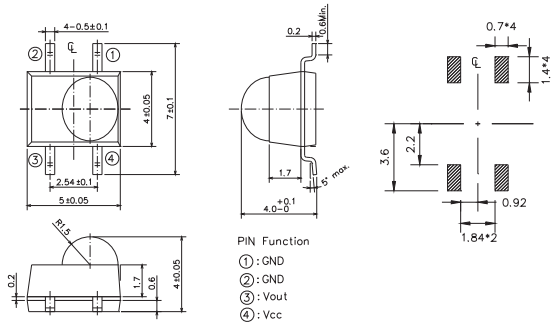
Product	Size (LxWxHmm)	λ_p (nm)	Carrier Freq. (KHz)	Supply Voltage (V)	I _{CC} Typ (mA)	L _{Center} (m)	L ₄₅ (m)
IRM-H836M3/TR2	6.6x3x3.2	940	36	2.7~5.5	0.4	8	5
IRM-H838M3/TR2	6.6x3x3.2	940	38	2.7~5.5	0.4	8	5

Infrared Receiver Module

Infrared Receiver Module | Standard Burst | SMD



UNIT : mm

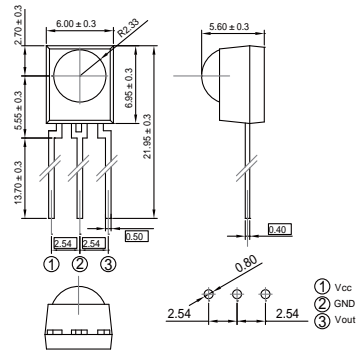


Product	Size (LxWxHmm)	λ_p (nm)	Carrier Freq. (KHz)	Supply Voltage (V)	I_{CC} Typ (mA)	L_{Center} (m)	L_{45} (m)
IRM-H636M3/TR2	5x4x4	940	36	2.7-5.5	0.4	8	5
IRM-H636T/TR2	5x4x4	940	36	2.7-5.5	1	8	5
IRM-H638M3/TR2	5x4x4	940	38	2.7-5.5	0.4	8	5
IRM-H638T/TR2	5x4x4	940	38	2.7-5.5	1	8	5
IRM-H656T/TR2	5x4x4	940	56	2.7-5.5	1	8	5

Infrared Receiver Module | Width Band | DIP-Vo – GND – Vcc

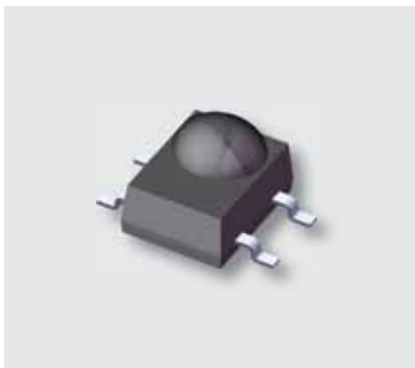


UNIT : mm

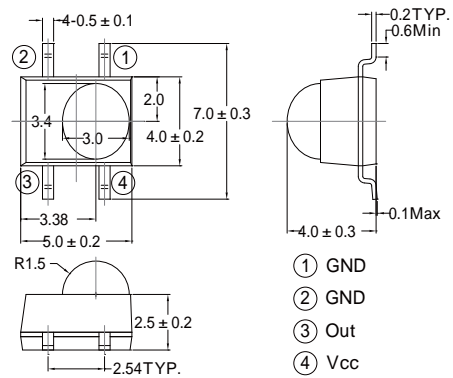


Product	Size (LxWxHmm)	λ_p (nm)	Carrier Freq. (KHz)	Supply Voltage (V)	I_{CC} Typ (mA)	L_{Center} (m)	L_{45} (m)
IRM-3600W	8.25x6x5.6	940	30~56	2.5~5	1.2	14	6

Infrared Receiver Module | 3D



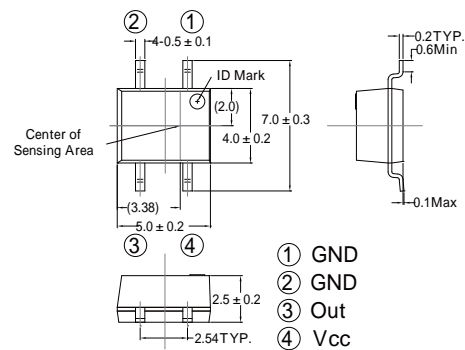
UNIT : mm



Product	Size (LxWxHmm)	λ_p (nm)	Carrier Freq. (KHz)	Supply Voltage (V)	I_{CC} Typ (mA)	L_{Center} (m)	L_{45} (m)
IRM-H600JW	5x4x4	850	20~60	2.5~5	0.4	8	5
IRM-H620J5/TR2	5x4x4	850	20	2.5~5	0.6	8	5



UNIT : mm

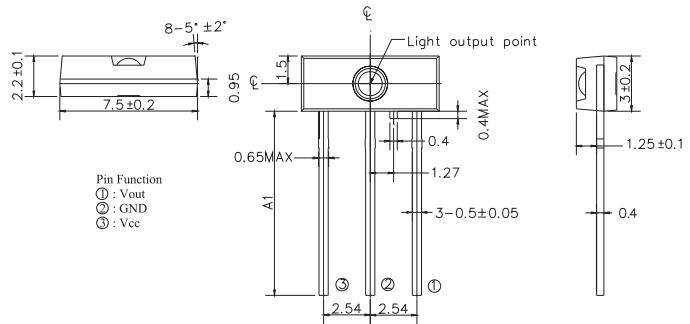


Product	Size (LxWxHmm)	λ_p (nm)	Carrier Freq. (KHz)	Supply Voltage (V)	I_{CC} Typ (mA)	L_{Center} (m)	L_{45} (m)
IRM-H920J5/TR2	5x4x2.5	850	20	2.5~5	0.6	8	5

Optic-Fiber Device (Photo Link) | Receiver (PLR) Component



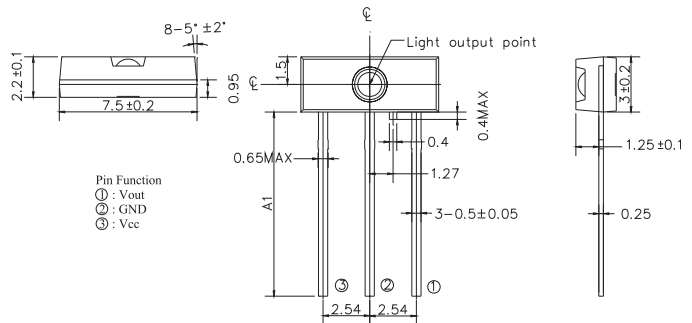
UNIT : mm



Product	Size (LxWxHmm)	Fiber Coupling Receiver Power_ Max (dBm)	Fiber Coupling Receiver Power_ Min (dBm)	Operation Voltage (V)	Plastic Holder	Trans - mission Speed (Mb/s)	L/F Thickness (mm)
PLR135	7.5x3x2.2	-14	-27	2.4-5.5	None	16	0.4
PLR233	7.5x3x2.2	-14	-27	2.4-5.5	None	25	0.4



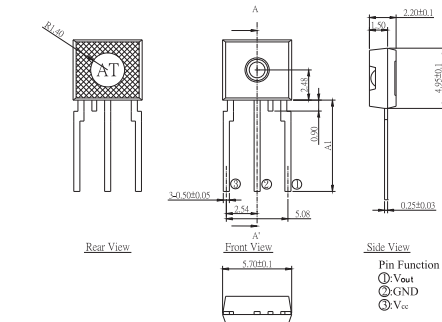
UNIT : mm



Product	Size (LxWxHmm)	Fiber Coupling Receiver Power_ Max (dBm)	Fiber Coupling Receiver Power_ Min (dBm)	Operation Voltage (V)	Plastic Holder	Trans - mission Speed (Mb/s)	L/F Thickness (mm)
PLR137	7.5x3x2.2	-14	-27	2.4-5.5	None	16	0.25
PLR237	7.5x3x2.2	-14	-27	2.4-5.5	None	25	0.25



UNIT : mm



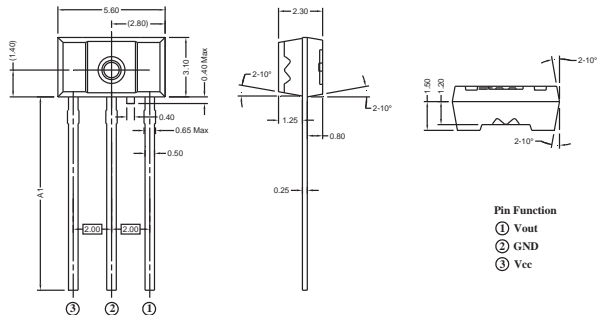
Product	Size (LxWxHmm)	Fiber Coupling Receiver Power_ Max (dBm)	Fiber Coupling Receiver Power_ Min (dBm)	Operation Voltage (V)	Plastic Holder	Trans - mission Speed (Mb/s)	L/F Thickness (mm)
PLR155	5.7x4.95x2.2	-14	-27	2.4-5.5	None	16	0.25

Optic-Fiber Device (Photo Link)

Optic-Fiber Device (Photo Link) | Receiver (PLR) Component



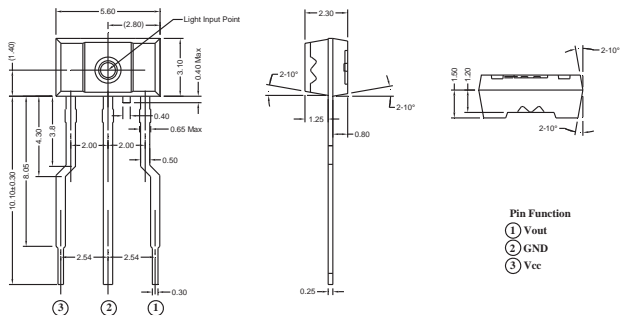
UNIT : mm



Product	Size (LxWxHmm)	Fiber Coupling Receiver Power_ Max (dBm)	Fiber Coupling Receiver Power_ Min (dBm)	Operation Voltage (V)	Plastic Holder	Trans - mission Speed (Mb/s)	L/F Thicknes (mm)
PLR162	5.6x3.1x2.3	-14	-27	2.4~5.5	None	16	0.25



UNIT : mm



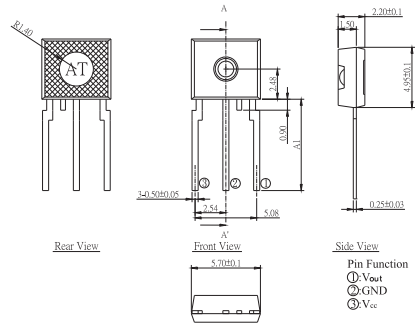
Product	Size (LxWxHmm)	Fiber Coupling Receiver Power_ Max (dBm)	Fiber Coupling Receiver Power_ Min (dBm)	Operation Voltage (V)	Plastic Holder	Trans - mission Speed (Mb/s)	L/F Thicknes (mm)
PLR162M	5.6x3.1x2.3	-14	-27	2.4~5.5	None	16	0.25

Optic-Fiber Device (Photo Link)

Optic-Fiber Device (Photo Link) | Receiver (PLR) Component



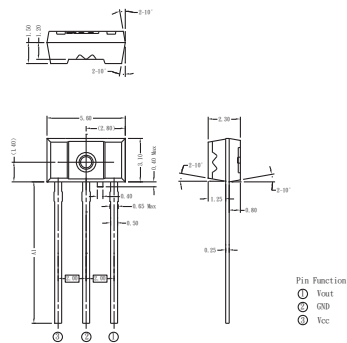
UNIT : mm



Product	Size (LxWxHmm)	Fiber Coupling Receiver Power_ Max (dBm)	Fiber Coupling Receiver Power_ Min (dBm)	Operation Voltage (V)	Plastic Holder	Trans - mission Speed (Mb/s)	L/F Thicknes (mm)
PLR253	5.7x4.95x2.2	-14	-27	2.4~5.5	None	25	0.25



UNIT : mm



Product	Size (LxWxHmm)	Fiber Coupling Receiver Power_ Max (dBm)	Fiber Coupling Receiver Power_ Min (dBm)	Operation Voltage (V)	Plastic Holder	Trans - mission Speed (Mb/s)	L/F Thicknes (mm)
PLR262	5.6x3.1x2.3	-14	-27	2.4~5.5	None	25	0.25

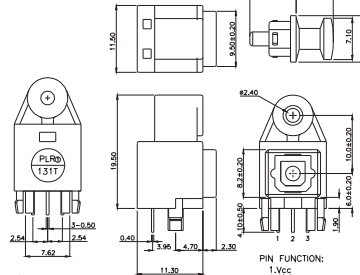
Optic-Fiber Device (Photo Link)

Optic-Fiber Device (Photo Link) | Receiver (PLR) Module

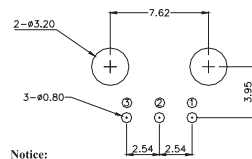


UNIT : mm

Package Dimensions



PCB Layout for Electrical Circuit



Notice:
1. Unit:mm
2. PCB tolerance:1.6mm

NOTICE:
1.All dimensions are in mm.
2.Unspecified tolerance is ±0.30mm.

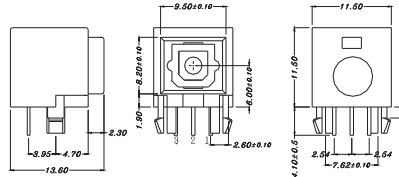
PIN FUNCTION:
1.Vcc
2.GND
3.Vout

Product	Size (LxWxHmm)	Fiber Coupling Receiver Power_ Max (dBm)	Fiber Coupling Receiver Power_ Min (dBm)	Operation Voltage (V)	Plastic Holder	Trans - mission Speed (Mb/s)	L/F Thickness (mm)
PLR135/T	11.5x13.6x19.5	-14	-27	2.4-5.5	Yes	16	0.4

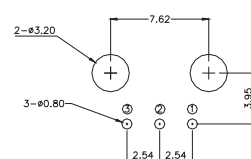


UNIT : mm

Package Dimensions



PCB Layout for Electrical Circuit



Notice:
1. Unit:mm
2. PCB tolerance:1.6mm

Notes: 1. All dimensions are in millimeters.
2. General Tolerance :±0.3mm

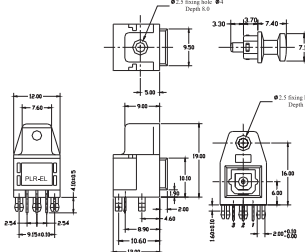
Pin Function: 1.Vout
2.GND
3.Vcc

Product	Size (LxWxHmm)	Fiber Coupling Receiver Power_ Max (dBm)	Fiber Coupling Receiver Power_ Min (dBm)	Operation Voltage (V)	Plastic Holder	Trans - mission Speed (Mb/s)	L/F Thickness (mm)
PLR135/T1	11.5x13.6x11.5	-14	-27	2.4-5.5	Yes	16	0.4

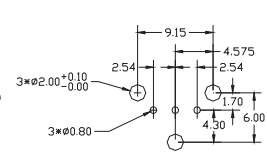


UNIT : mm

Package Dimensions



PCB Layout for Electrical Circuit



Notice:
1. Unit:mm
2. PCB tolerance:1.6mm

Notes: 1. All dimensions are in millimeters.
±0.3mm

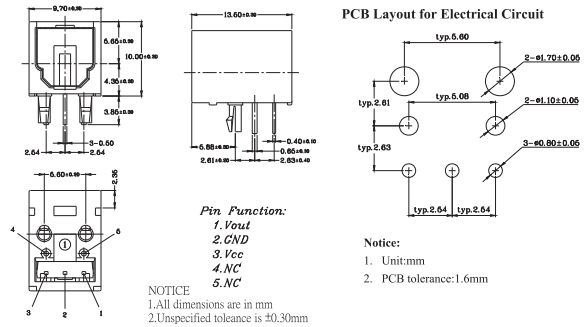
Pin Function: 1.Vout
2.GND
3.Vcc

Product	Size (LxWxHmm)	Fiber Coupling Receiver Power_ Max (dBm)	Fiber Coupling Receiver Power_ Min (dBm)	Operation Voltage (V)	Plastic Holder	Trans - mission Speed (Mb/s)	L/F Thickness (mm)
PLR135/T2	12x14x19	-14	-27	2.4-5.5	Yes	16	0.4

Optic-Fiber Device (Photo Link) | Receiver (PLR) Module



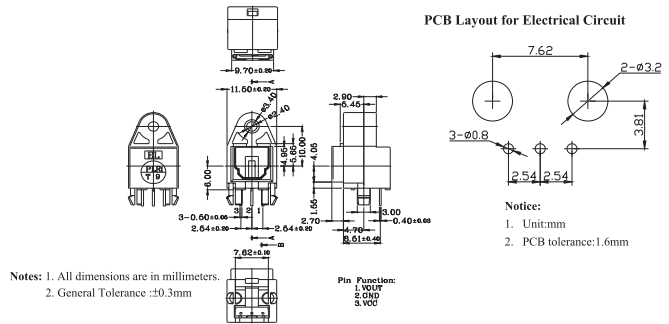
UNIT : mm



Product	Size (LxWxHmm)	Fiber Coupling Receiver Power_Max (dBm)	Fiber Coupling Receiver Power_Min (dBm)	Operation Voltage (V)	Plastic Holder	Trans - mission Speed (Mb/s)	L/F Thickness (mm)
PLR135/T8	9.7x13.5x10	-14	-27	2.4~5.5	Yes	16	0.4



UNIT : mm

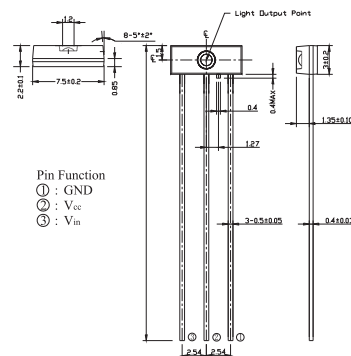


Product	Size (LxWxHmm)	Fiber Coupling Receiver Power_Max (dBm)	Fiber Coupling Receiver Power_Min (dBm)	Operation Voltage (V)	Plastic Holder	Trans - mission Speed (Mb/s)	L/F Thickness (mm)
PLR135/T9	11.5x14x20	-14	-27	2.4~5.5	Yes	16	0.4

Optic-Fiber Device (Photo Link) | Transmitter (PLT) Component



UNIT : mm

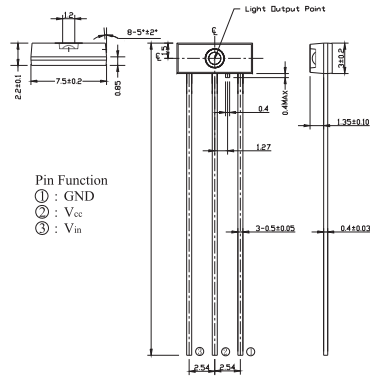


Product	Size (LxWxHmm)	Fiber Coupling Output Power_Max (dBm)	Fiber Coupling Output Power_Min (dBm)	Operation Voltage (V)	Plastic Holder	Trans - mission Speed (Mb/s)	L/F Thickness (mm)
PLT132	7.5x3x2.2	-15	-21	3~5	None	16	0.4

Optic-Fiber Device (Photo Link) | Transmitter (PLT) Component



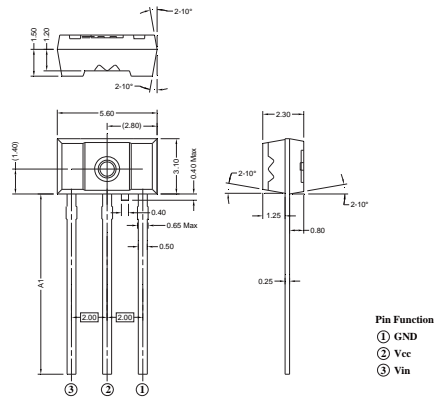
UNIT : mm



Product	Size (LxWxHmm)	Fiber Coupling Output Power_Max (dBm)	Fiber Coupling Output Power_Min (dBm)	Operation Voltage (V)	Plastic Holder	Trans - mission Speed (Mb/s)	L/F Thickness (mm)
PLT133	7.5x3x2.2	-15	-21	3~5	None	16	0.4



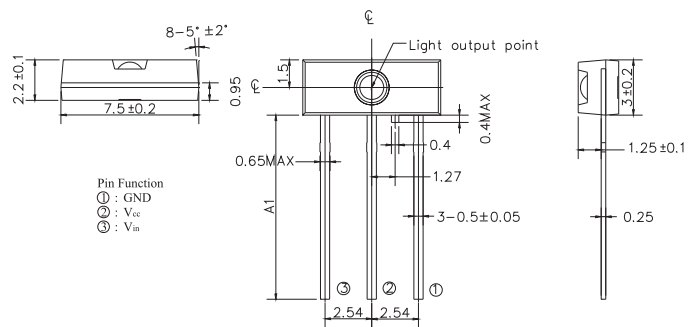
UNIT : mm



Product	Size (LxWxHmm)	Fiber Coupling Output Power_Max (dBm)	Fiber Coupling Output Power_Min (dBm)	Operation Voltage (V)	Plastic Holder	Trans - mission Speed (Mb/s)	L/F Thickness (mm)
PLT262	5.6x3.1x2.3	-15	-21	3~5	None	25	0.25



UNIT : mm



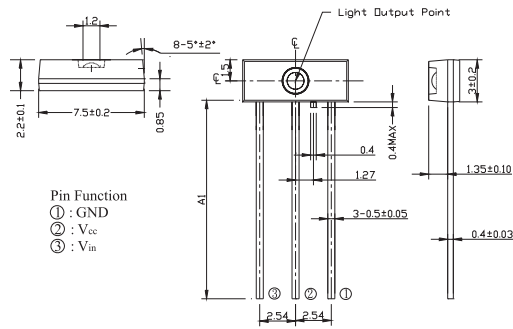
Product	Size (LxWxHmm)	Fiber Coupling Output Power_Max (dBm)	Fiber Coupling Output Power_Min (dBm)	Operation Voltage (V)	Plastic Holder	Trans - mission Speed (Mb/s)	L/F Thickness (mm)
PLT137	7.5x3x2.2	-15	-21	3~5	None	16	0.25
PLT237	7.5x3x2.2	-15	-21	3~5	None	25	0.25

Optic-Fiber Device (Photo Link)

Optic-Fiber Device (Photo Link) | Transmitter (PLT) Component



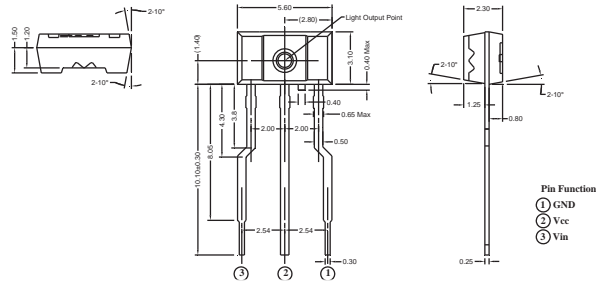
UNIT : mm



Product	Size (LxWxHmm)	Fiber Coupling Output Power_Max (dBm)	Fiber Coupling Output Power_Min (dBm)	Operation Voltage (V)	Plastic Holder	Trans - mission Speed (Mb/s)	L/F Thickness (mm)
PLT232/L5	7.5x3x2.2	-15	-21	3-5	None	25	0.4



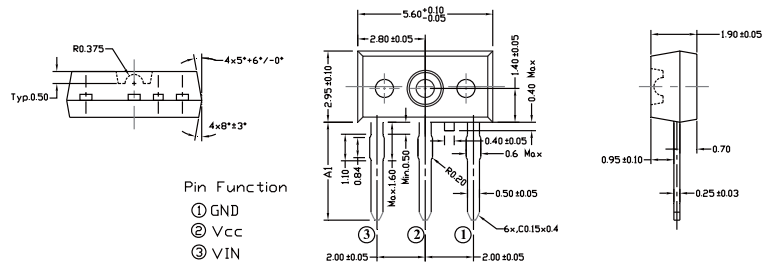
UNIT : mm



Product	Size (LxWxHmm)	Fiber Coupling Output Power_Max (dBm)	Fiber Coupling Output Power_Min (dBm)	Operation Voltage (V)	Plastic Holder	Trans - mission Speed (Mb/s)	L/F Thickness (mm)
PLT262M	5.6x3.1x2.3	-15	-21	3-5	None	25	0.25



UNIT : mm

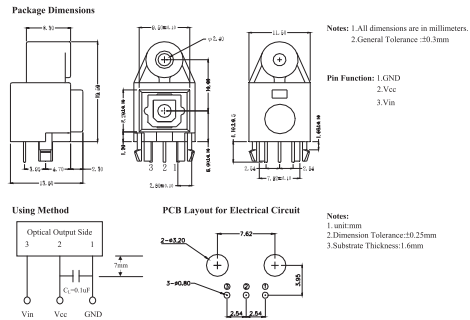


Product	Size (LxWxHmm)	Fiber Coupling Output Power_Max (dBm)	Fiber Coupling Output Power_Min (dBm)	Operation Voltage (V)	Plastic Holder	Trans - mission Speed (Mb/s)	L/F Thickness (mm)
PLT272/L5	5.6x2.95x1.9	-15	-21	3-5	None	25	0.25

Optic-Fiber Device (Photo Link) | Transmitter (PLT) Module



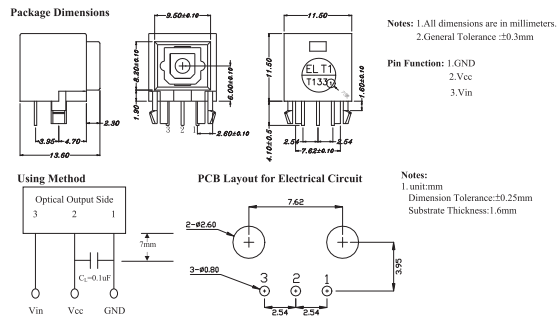
UNIT : mm



Product	Size (LxWxHmm)	Fiber Coupling Output Power_Max (dBm)	Fiber Coupling Output Power_Min (dBm)	Operation Voltage (V)	Plastic Holder	Trans - mission Speed (Mb/s)	L/F Thickness (mm)
PLT133/T	11.5x13.6x19.5	-15	-21	3~5	Yes	16	0.4



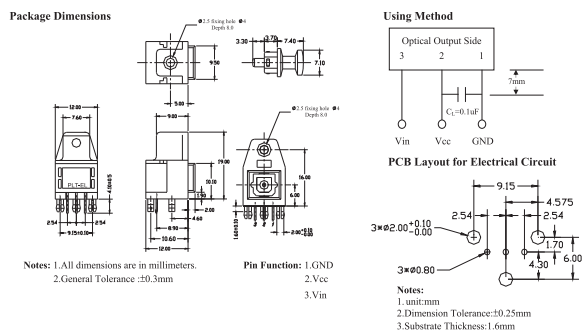
UNIT : mm



Product	Size (LxWxHmm)	Fiber Coupling Output Power_Max (dBm)	Fiber Coupling Output Power_Min (dBm)	Operation Voltage (V)	Plastic Holder	Trans - mission Speed (Mb/s)	L/F Thickness (mm)
PLT133/T1	11.5x13.6x11.5	-15	-21	3~5	Yes	16	0.4



UNIT : mm

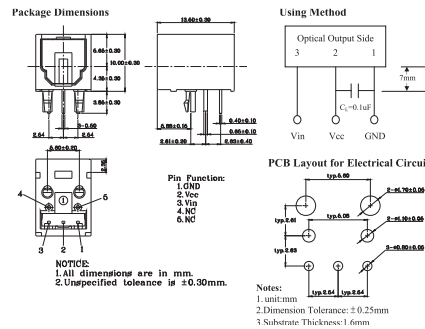


Product	Size (LxWxHmm)	Fiber Coupling Output Power_Max (dBm)	Fiber Coupling Output Power_Min (dBm)	Operation Voltage (V)	Plastic Holder	Trans - mission Speed (Mb/s)	L/F Thickness (mm)
PLT133/T2	12x14x19	-15	-21	3~5	Yes	16	0.4

Optic-Fiber Device (Photo Link) | Transmitter (PLT) Module



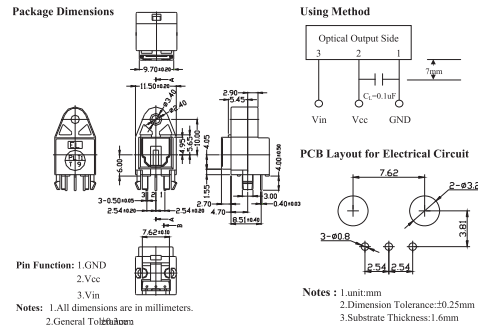
UNIT : mm



Product	Size (LxWxHmm)	Fiber Coupling Output Power_Max (dBm)	Fiber Coupling Output Power_Min (dBm)	Operation Voltage (V)	Plastic Holder	Trans - mission Speed (Mb/s)	L/F Thickness (mm)
PLT133/T8B	9.7x13.5x10	-15	-21	3~5	Yes	16	0.4



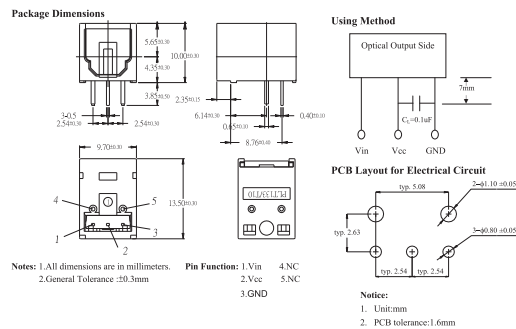
UNIT : mm



Product	Size (LxWxHmm)	Fiber Coupling Output Power_Max (dBm)	Fiber Coupling Output Power_Min (dBm)	Operation Voltage (V)	Plastic Holder	Trans - mission Speed (Mb/s)	L/F Thickness (mm)
PLT133/T9	11.5x13.5x20	-15	-21	3~5	Yes	16	0.4



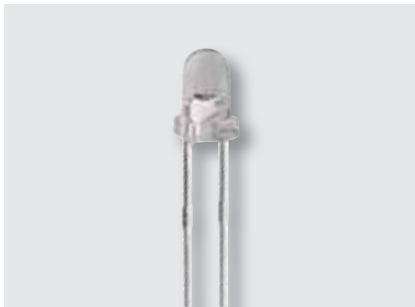
UNIT : mm



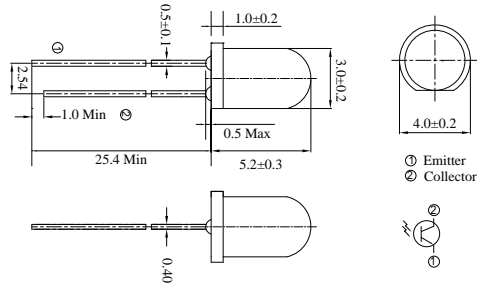
Product	Size (LxWxHmm)	Fiber Coupling Output Power_Max (dBm)	Fiber Coupling Output Power_Min (dBm)	Operation Voltage (V)	Plastic Holder	Trans - mission Speed (Mb/s)	L/F Thickness (mm)
PLT133/T10W	9.7x13.5x10	-15	-21	3~5	Yes	16	0.4

Optic-Fiber Device (Photo Link)

Optical Sensors | Ambient Light Sensor | Analog



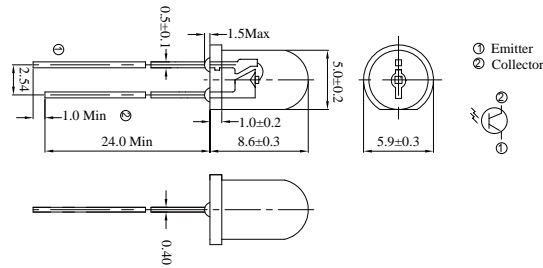
UNIT : mm



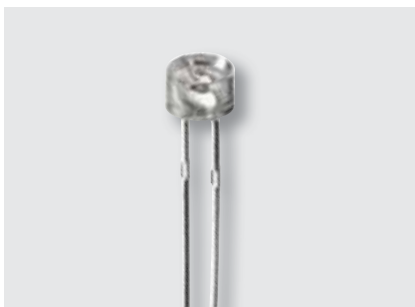
Product	Size (mm)	Supply Voltage (V)	Sensitivity λ _p (nm)	Range λ (nm)	Light current (uA) Ev=100lux	I _{D_Max} (μA)	Rise / Fall Time (μs)
ALS-PT204-6C/L177	3	2.5-5.5	630	370-670	15-100	0.1	110 / 120



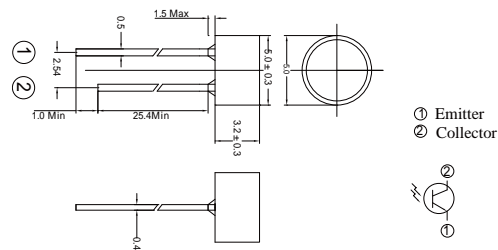
UNIT : mm



Product	Size (mm)	Supply Voltage (V)	Sensitivity λ _p (nm)	Range λ (nm)	Light current (uA) Ev=100lux	I _{D_Max} (μA)	Rise / Fall Time (μs)
ALS-PT333-3C/L177	5	2.5-5.5	560	390-700	90-160	0.1	80 / 90

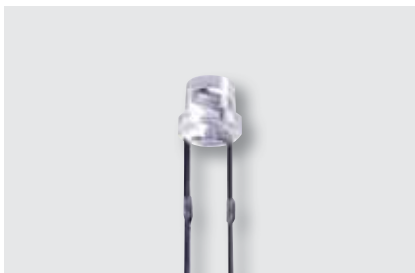


UNIT : mm

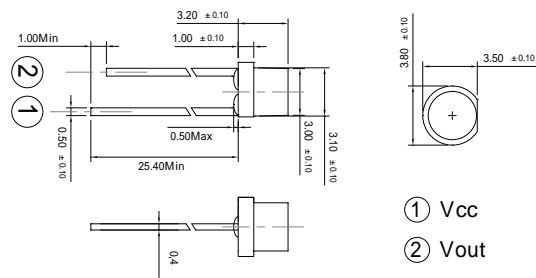


Product	Size (mm)	Supply Voltage (V)	Sensitivity λ _p (nm)	Range λ (nm)	Light current (uA) Ev=100lux	I _{D_Max} (μA)	Rise / Fall Time (μs)
ALS-PT243-3C/L177	5	2.5-5.5	630	390-700	10	0.1	110 / 220

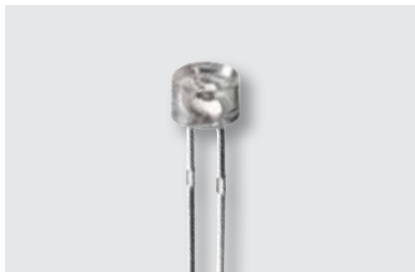
Optical Sensors | Ambient Light Sensor | Analog



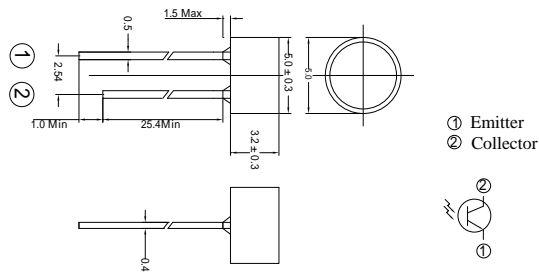
UNIT : mm



Product	Size (mm)	Supply Voltage (V)	Sensitivity λ _p (nm)	Range λ (nm)	Light current (μA) Ev=100lux	I _{D_Max} (μA)	Rise / Fall Time (μs)
ALS-PDIC144-6C/L378	3	1.8-5.5	550	390-700	33	0.1	360 / 1130



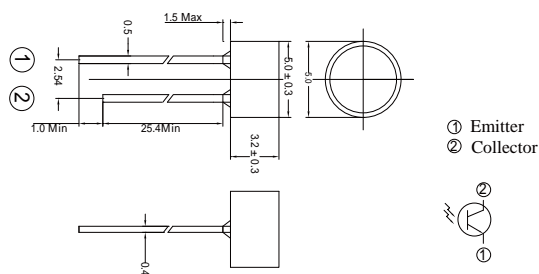
UNIT : mm



Product	Size (mm)	Supply Voltage (V)	Sensitivity λ _p (nm)	Range λ (nm)	Light current (μA) Ev=100lux	I _{D_Max} (μA)	Rise / Fall Time (μs)
ALS-PDIC243-3C	5	1.8-5.5	560	390-700	24-48	0.1	360 / 1130



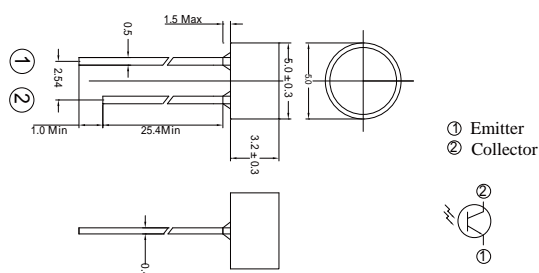
UNIT : mm



Product	Size (mm)	Supply Voltage (V)	Sensitivity λ _p (nm)	Range λ (nm)	Light current (μA) Ev=100lux	I _{D_Max} (μA)	Rise / Fall Time (μs)
ALS-PDIC243-3B	5	1.8-5.5	560	390-700	10-35	0.1	360 / 1130



UNIT : mm

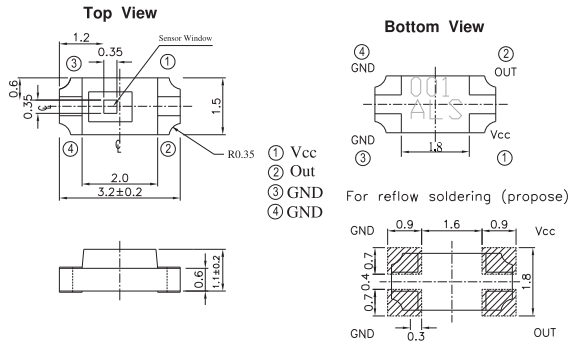


Product	Size (mm)	Supply Voltage (V)	Sensitivity λ _p (nm)	Range λ (nm)	Light current (μA) Ev=100lux	I _{D_Max} (μA)	Rise / Fall Time (μs)
ALS-PDIC243-3B/L525	5	1.8-5.5	560	390-700	5-15	0.1	360 / 1130

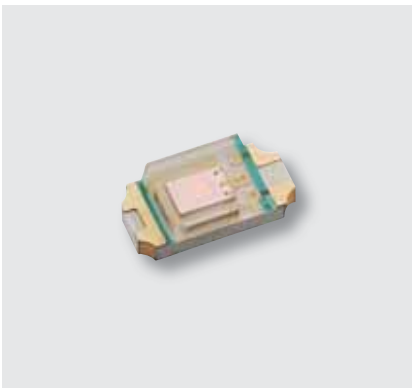
Optical Sensors | Ambient Light Sensor | Analog



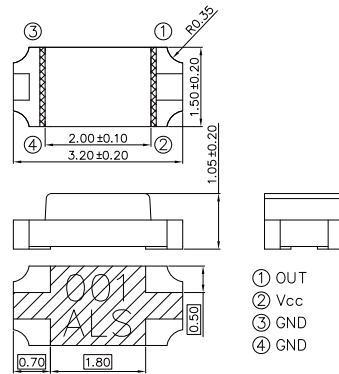
UNIT : mm



Product	Size (LxWxHmm)	Supply Voltage (V)	Sensitivity λ_p (nm)	Range λ (nm)	Light current (μA) $E_v=100\text{lux}$	I_{D_Max} (μA)	Rise / Fall Time (μs)
ALS-PDIC15-21B/TR8	3.2x1.5x1.1	1.8~5.5	550	390~700	7.5	0.1	11 / 400



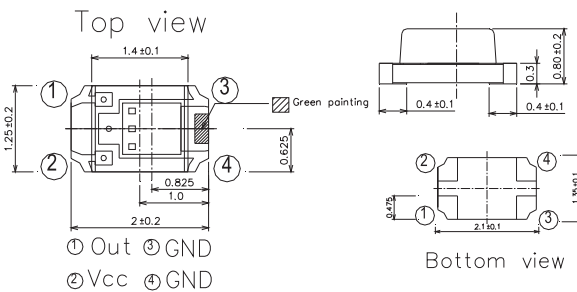
UNIT : mm



Product	Size (LxWxHmm)	Supply Voltage (V)	Sensitivity λ_p (nm)	Range λ (nm)	Light current (μA) $E_v=100\text{lux}$	I_{D_Max} (μA)	Rise / Fall Time (μs)
ALS-PDIC15-21C/L230/TR8	3.2x1.5x1.1	2.5~5.5	590	390~700	36~95	0.1	360 / 1130

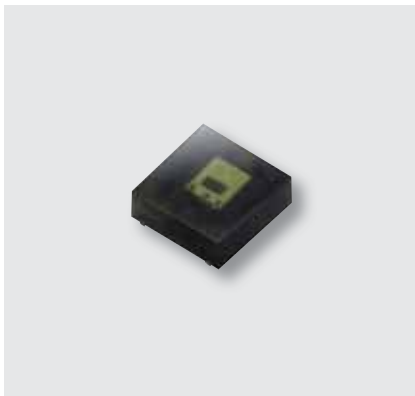


UNIT : mm

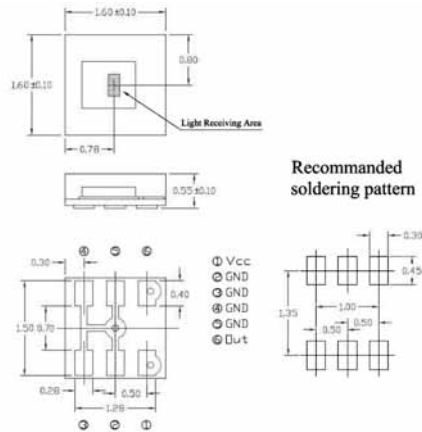


Product	Size (LxWxHmm)	Supply Voltage (V)	Sensitivity λ_p (nm)	Range λ (nm)	Light current (μA) $E_v=100\text{lux}$	I_{D_Max} (μA)	Rise / Fall Time (μs)
ALS-PDIC17-55C/TR8	2x1.25x0.8	1.8~5.5	590	390~700	27~54	0.1	360 / 1130

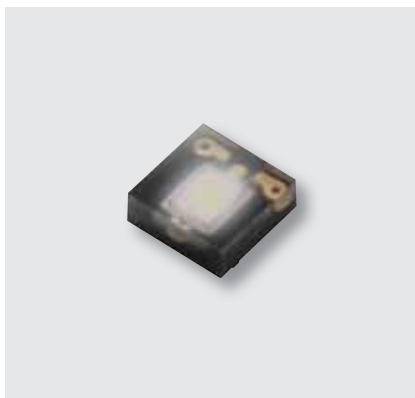
Optical Sensors | Ambient Light Sensor | Analog



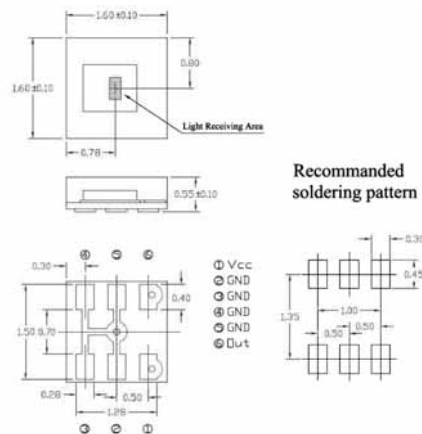
UNIT : mm



Product	Size (LxWxHmm)	Supply Voltage (V)	Sensitivity λ _p (nm)	Range λ (nm)	Light current (uA) Ev=100lux	I _{D_Max} (μA)	Rise / Fall Time (μs)
ALS-PDIC17-77B/TR8	1.6x1.6x0.55	1.8~5.5	580	390~700	60	0.1	75 / 200



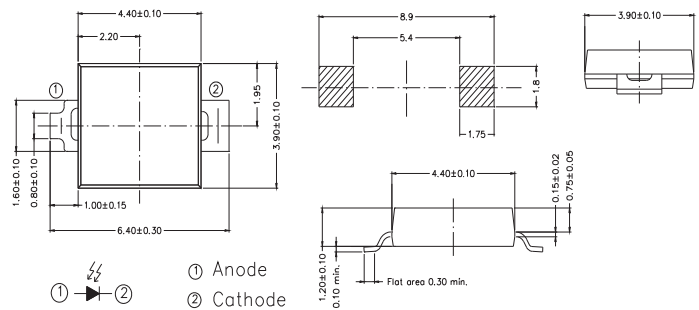
UNIT : mm



Product	Size (LxWxHmm)	Supply Voltage (V)	Sensitivity λ _p (nm)	Range λ (nm)	Light current (uA) Ev=100lux	I _{D_Max} (μA)	Rise / Fall Time (μs)
ALS-PDIC17-77C/TR8	1.6x1.6x0.55	1.8~5.5	550	390~700	40	0.1	11 / 400



UNIT : mm



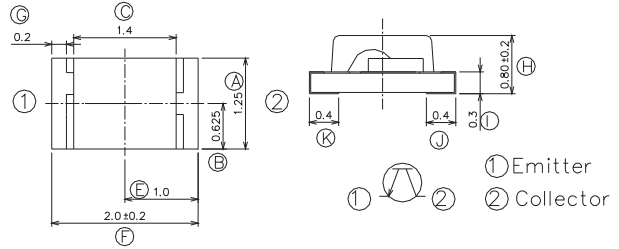
Product	Size (LxWxHmm)	Supply Voltage (V)	Sensitivity λ _p (nm)	Range λ (nm)	Light current (uA) Ev=100lux	I _{D_Max} (μA)	Rise / Fall Time (μs)
ALS-PD70-01C/TR7	4.4x3.9x1.2	2.5~5.5	630	390~700	1.1	0.01	-- / --

Optical Sensors

Optical Sensors | Ambient Light Sensor | Analog



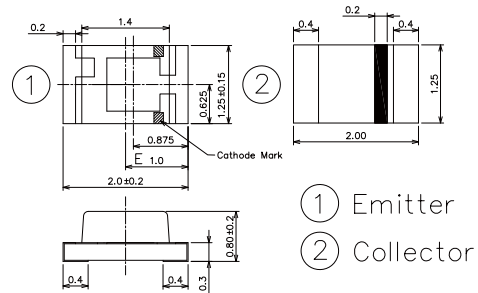
UNIT : mm



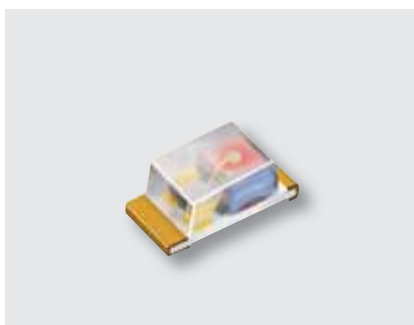
Product	Size (LxWxHmm)	Supply Voltage (V)	Sensitivity λ_p (nm)	Range λ (nm)	Light current (μA) $E_v=100lux$	I_{D_Max} (μA)	Rise / Fall Time (μs)
ALS-PT17-51C/L177/TR8	2x1.25x0.8	2.5-5.5	630	390-700	23	0.1	110 / 220



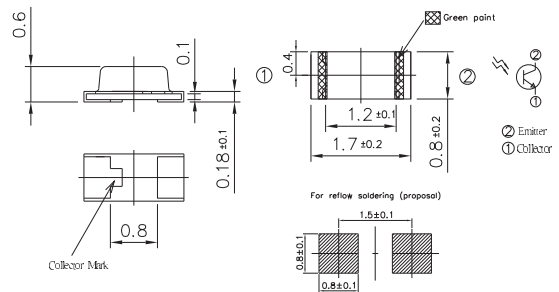
UNIT : mm



Product	Size (LxWxHmm)	Supply Voltage (V)	Sensitivity λ_p (nm)	Range λ (nm)	Light current (μA) $E_v=50lux$	I_{D_Max} (μA)	Rise / Fall Time (μs)
ALS-PT17-51NB/L369/TR8	2x1.25x0.8	1.8-5.5	580	400-700	5.5	0.1	130 / 150

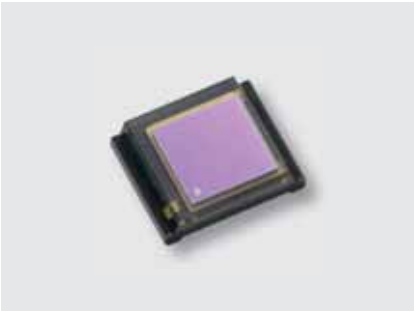


UNIT : mm

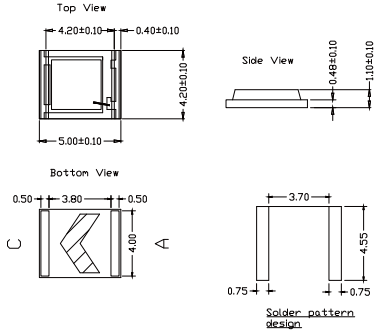


Product	Size (LxWxHmm)	Supply Voltage (V)	Sensitivity λ_p (nm)	Range λ (nm)	Light current (μA) $E_v=100lux$	I_{D_Max} (μA)	Rise / Fall Time (μs)
ALS-PT19-315C/L177/TR8	1.7x0.8x0.6	2.5-5.5	630	390-700	15	0.1	110 / 220

Optical Sensors | Ambient Light Sensor | Analog



UNIT : mm

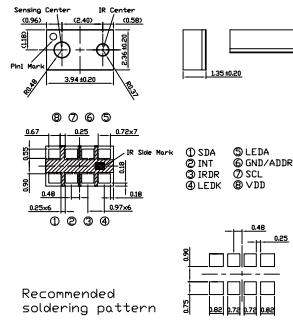


Product	Size (LxWxHmm)	Sensitivity λ _p (nm)	Range λ (nm)	Light current (μA) Ev=100lux	I _{D_Max} (μA)
ALS-PD50-42C/TR8	5.0x4.2x1.1	550	390-700	0.8	0.03

Optical Sensors | Proximity Sensor | Digital



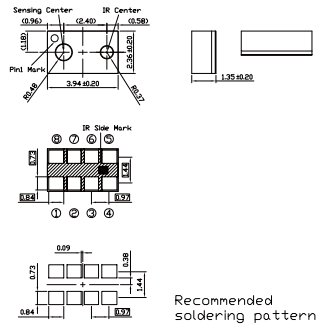
UNIT : mm



Product	Size (LxWxHmm)	Resolution (bit)	Interface	Ambient Light Detection range (lux)	IR LED Driving current (mA)
APM-12D23-20-DF8/TR8	3.94x2.36x1.35	12/8	I ² C	0.012~800	100 / 200



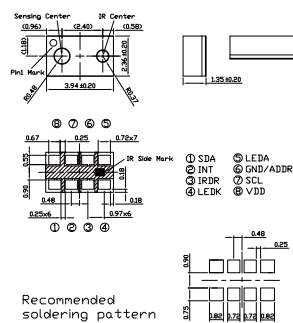
UNIT : mm



Product	Size (LxWxHmm)	Resolution (bit)	Interface	Ambient Light Detection range (lux)	IR LED Driving current (mA)
APM-16D18-00-DF8/TR8	3.94x2.36x1.35	16/10~16	I ² C	0.08~42949	12.5 / 25 / 37.5 / 50 / 62.5 / 75 / 87.5 / 100 / 112.5 / 125

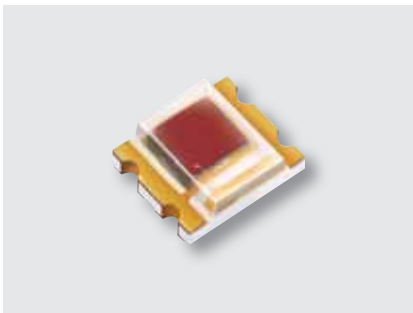


UNIT : mm

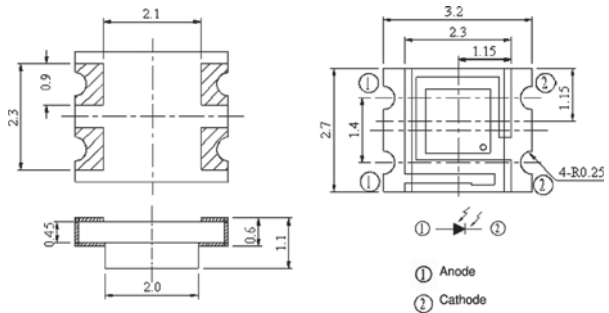


Product	Size (LxWxHmm)	Supply Voltage (V)	Resolution (bits)	Interface	Sensitivity λ P (nm)	ICC_Typ (mA)
PM-8D23-20-DF8/TR8	3.94x2.36x1.35	2.3~3.6	8	I ² C	850	0.15

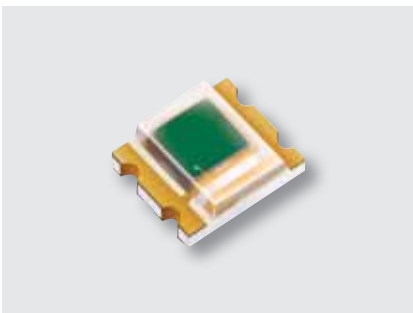
Optical Sensors | RGB Color Sensor | Single Color Sensor (Analog)



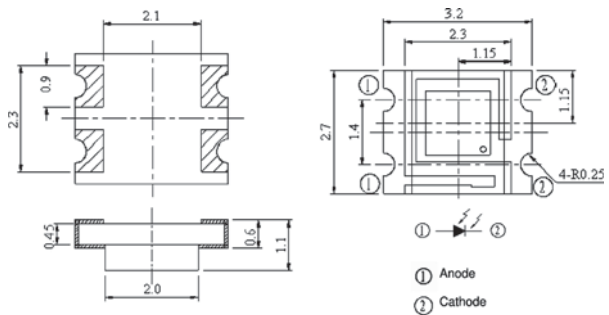
UNIT : mm



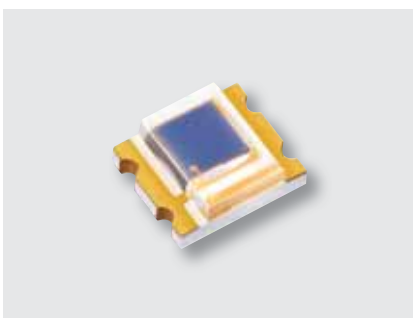
Product	Size (LxWxHmm)	Sensitivity λ_P (nm)	V_F (V)	Revers light current (Ee=100lux) / $IL^{(1)}$ (μA)	Revers light current (Ee=1000lux) $IL^{(2)}$ (μA)
CLS15-22C/L213R/TR8	3.2x2.7x1.1	620	0.5~1.3	0.091	0.83



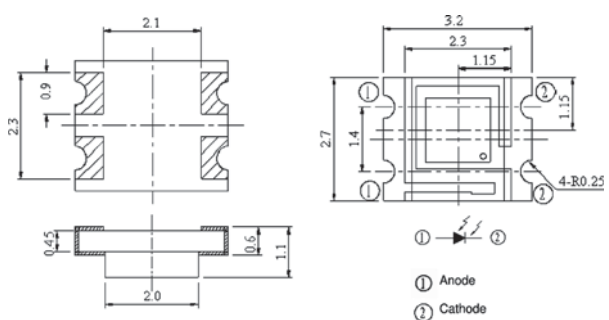
UNIT : mm



Product	Size (LxWxHmm)	Sensitivity λ_P (nm)	V_F (V)	Revers light current (Ee=100lux) / $IL^{(1)}$ (μA)	Revers light current (Ee=1000lux) $IL^{(2)}$ (μA)
CLS15-22C/L213G/TR8	3.2x2.7x1.1	550	0.5~1.3	0.082	0.72

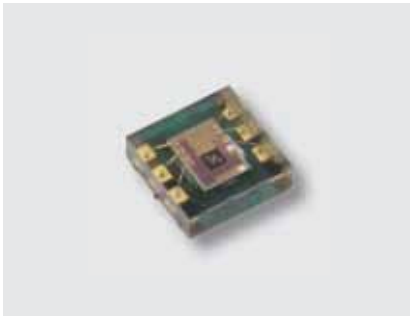


UNIT : mm

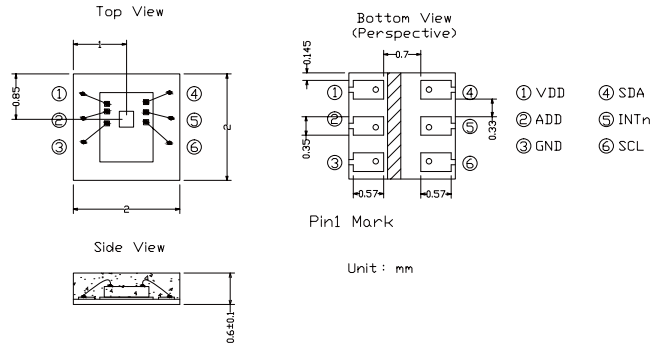


Product	Size (LxWxHmm)	Sensitivity λ_P (nm)	V_F (V)	Revers light current (Ee=100lux) / $IL^{(1)}$ (μA)	Revers light current (Ee=1000lux) $IL^{(2)}$ (μA)
CLS15-22C/L213B/TR8	3.2x2.7x1.1	470	0.5~1.3	0.046	0.39

Optical Sensors | RGB Color Sensor | Integration Color Sensor (Digital)



UNIT : mm

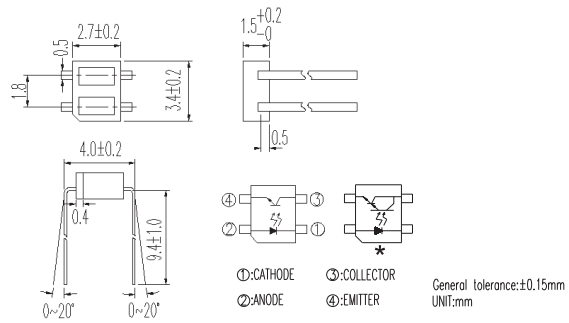


Product	Size (LxWxHmm)	Supply Voltage (V)	Resolution (bits)	Interface	Sensitivity λ P(nm) R/G/B/C	ICC_Typ (mA)
CLS-16D17-34-DF6/TR8	2.0x2.0x0.6	1.7~3.0	16	I ² C	680/550/490/615nm	0.4

Optical Sensors | Reflective Sensor

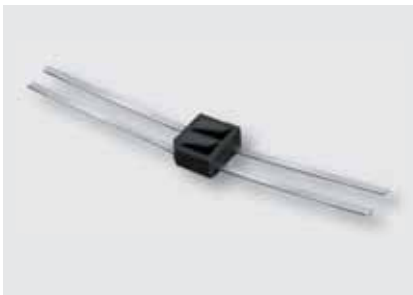


UNIT : mm

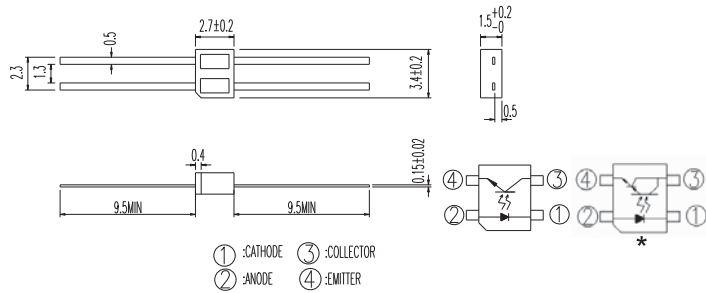


Product	Size (LxWxHmm)	V _{F_Typ} (V)	V _{F_Max} (V)	V _{CE(SAT)_Max} (V)	I _{C(ON)_Min} (mA)	I _{CEO_Max.} (nA)
ITR8307/F43	3.4x2.7x1.5	1.2	1.6	0.4	0.1	100
*ITR8307/L24/F43	3.4x2.7x1.5	1.2	1.4	--	0.5	1000

Star mark * : Please refer to the schematic of Pin configuration with " * " mark.



UNIT : mm

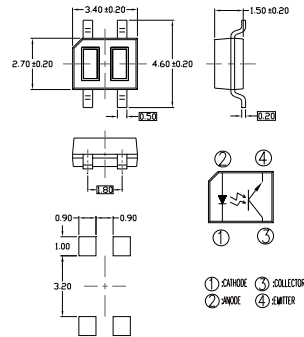


Product	Size (LxWxHmm)	V _{F_Typ} (V)	V _{F_Max} (V)	V _{CE(SAT)_Max} (V)	I _{C(ON)_Min} (mA)	I _{CEO_Max.} (nA)
ITR8307	3.4x2.7x1.5	1.2	1.6	0.4	0.1	100
*ITR8307/L24	3.4x2.7x1.5	1.2	1.4	--	0.5	1000

Star mark * : Please refer to the schematic of Pin configuration with " * " mark.



UNIT : mm

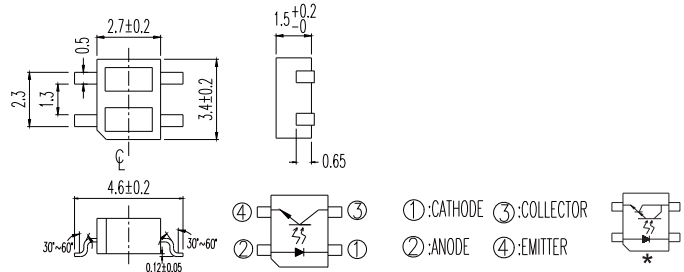


Product	Size (LxWxHmm)	V _{F_Typ} (V)	V _{F_Max} (V)	V _{CE(SAT)_Max} (V)	I _{C(ON)_Min} (mA)	I _{CEO_Max.} (nA)
ITR1201SR10AR/TR	3.4x2.7x1.5	1.2	1.4	--	0.1	100

Optical Sensors | Reflective Sensor



UNIT : mm

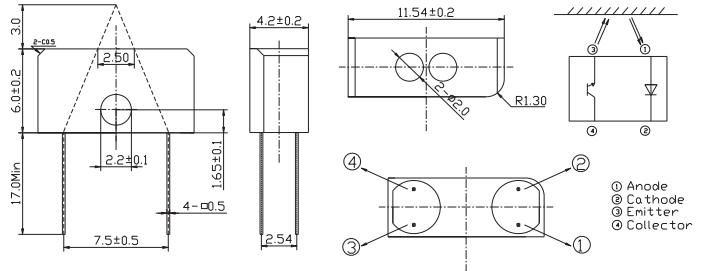


Product	Size (LxWxHmm)	V _{F_Typ} (V)	V _{F_Max} (V)	V _{CE(SAT)_Max} (V)	I _{C(ON)_Min} (mA)	I _{CEO_Max.} (nA)
*ITR8307/L24/TR8	3.4x2.7x1.5	1.2	1.4	--	0.5	1000
ITR8307/TR8	3.4x2.7x1.5	1.2	1.6	0.4	0.1	100

Star mark * : Please refer to the schematic of Pin configuration with " * " mark.



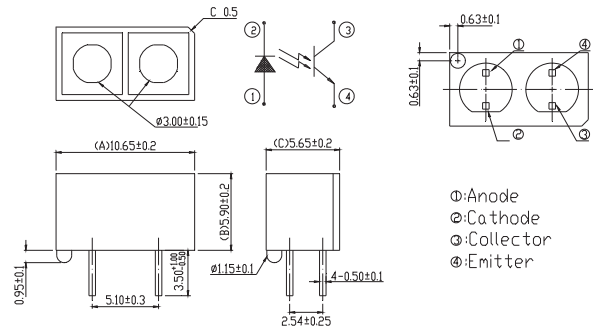
UNIT : mm



Product	Size (LxWxHmm)	V _{F_Typ} (V)	V _{F_Max} (V)	V _{CE(SAT)_Max} (V)	I _{C(ON)_Min} (mA)	I _{CEO_Max.} (nA)
ITR9904	11.54x4.2x6	1.2	1.5	0.4	0.1	100



UNIT : mm

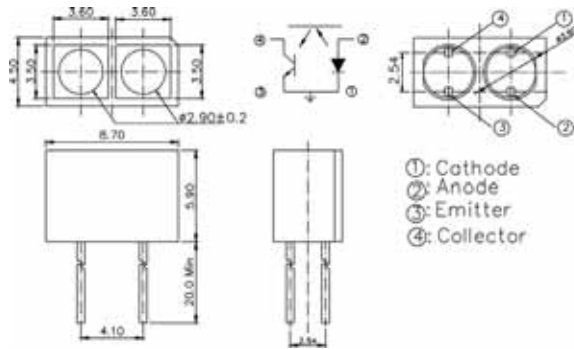


Product	Size (LxWxHmm)	V _{F_Typ} (V)	V _{F_Max} (V)	V _{CE(SAT)_Max} (V)	I _{C(ON)_Min} (mA)	I _{CEO_Max.} (nA)
ITR9908	10.65x5.65x5.9	1.2	1.5	0.4	0.5	100

Optical Sensors | Reflective Sensor



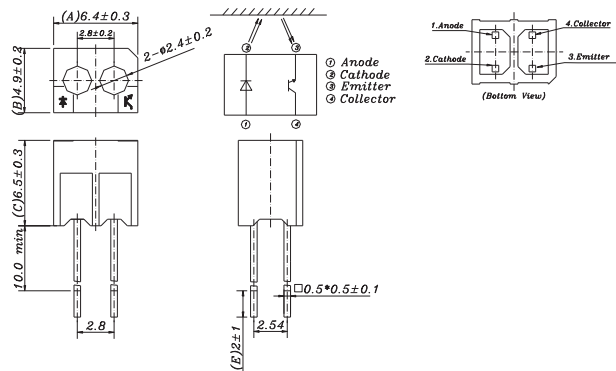
UNIT : mm



Product	Size (LxWxHmm)	V _{F_Typ} (V)	V _{F_Max} (V)	V _{CE(SAT)_Max} (V)	I _{C(ON)_Min} (mA)	I _{CEO_Max.} (nA)
ITR9909	8.7x4.5x5.9	1.2	1.5	0.4	0.2	100



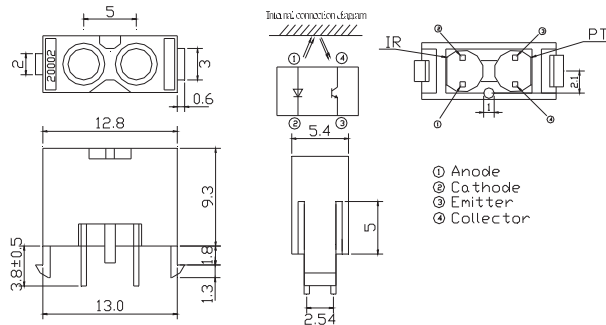
UNIT : mm



Product	Size (LxWxHmm)	V _{F_Typ} (V)	V _{F_Max} (V)	V _{CE(SAT)_Max} (V)	I _{C(ON)_Min} (mA)	I _{CEO_Max.} (nA)
ITR20001/T	6.4x4.9x6.5	1.2	1.5	0.4	0.2	100



UNIT : mm

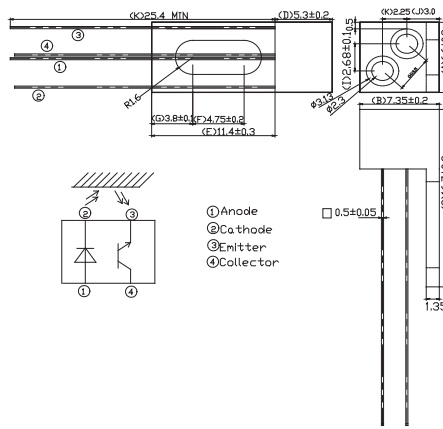


Product	Size (LxWxHmm)	V _{F_Typ} (V)	V _{F_Max} (V)	V _{CE(SAT)_Max} (V)	I _{C(ON)_Min} (mA)	I _{CEO_Max.} (nA)
ITR20002	12.8x5.4x9.3	1.2	1.5	0.4	0.04	100

Optical Sensors | Reflective Sensor



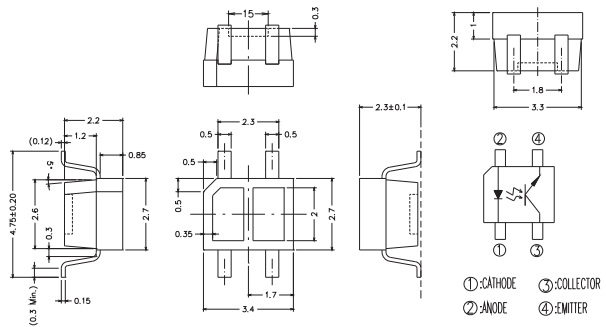
UNIT : mm



Product	Size (LxWxHmm)	V _{F_Typ} (V)	V _{F_Max} (V)	V _{CE(SAT)_Max} (V)	I _{C(ON)_Min} (mA)	I _{CEO_Max.} (nA)
ITR20501	7.35x6.6x5.3	1.2	1.5	0.4	0.02	100



UNIT : mm

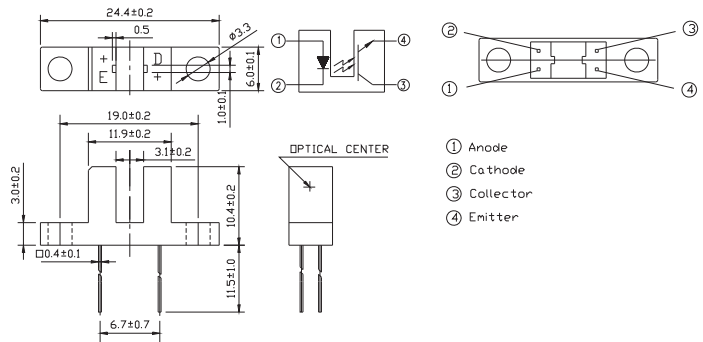


Product	Size (LxWxHmm)	V _{F_Typ} (V)	V _{F_Max} (V)	V _{CE(SAT)_Max} (V)	I _{C(ON)_Min} (mA)	I _{CEO_Max.} (nA)
ITR20510/TR8	3.4x2.7x2.2	1.2	1.6	0.4	0.1	100

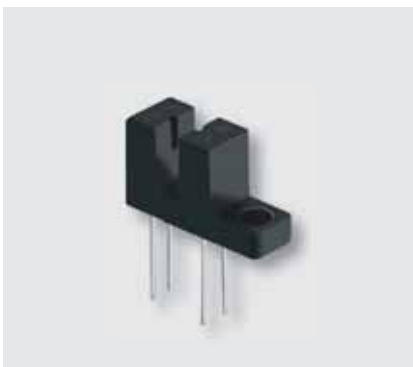
Optical Sensors | Transmissive Sensor



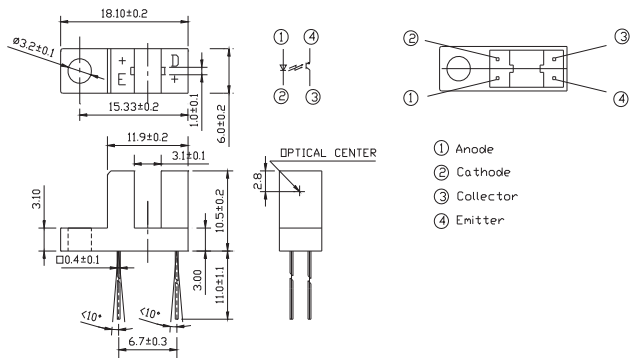
UNIT : mm



Product	Size (LxWxHmm)	V _{F_Typ} (V)	V _{F_Max} (V)	V _{CE(SAT)_Max} (V)	I _{C(ON)_Min} (mA)	I _{CEO_Max.} (nA)	Gap Distance (mm)
ITR8102	24.4x6x10.4	1.2	1.5	0.4	0.9	100	3.1



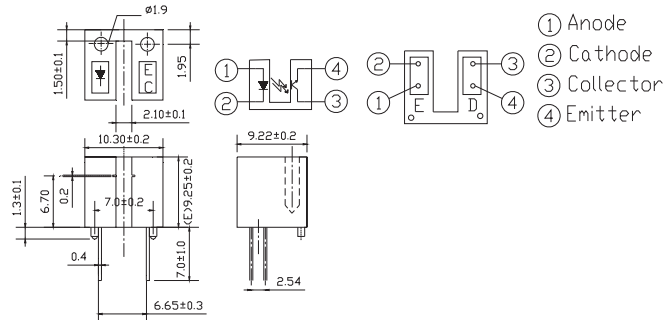
UNIT : mm



Product	Size (LxWxHmm)	V _{F_Typ} (V)	V _{F_Max} (V)	V _{CE(SAT)_Max} (V)	I _{C(ON)_Min} (mA)	I _{CEO_Max.} (nA)	Gap Distance (mm)
ITR8104	18.1x6x10.5	1.2	1.5	0.4	0.9	100	3.1



UNIT : mm

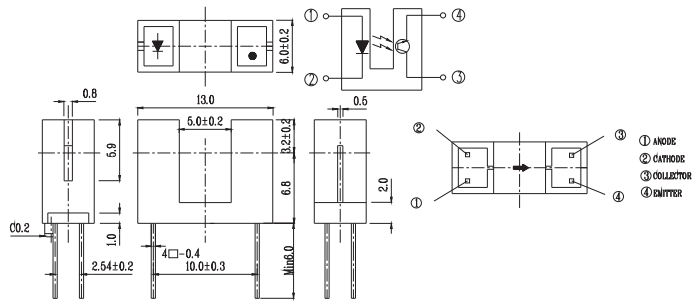


Product	Size (LxWxHmm)	V _{F_Typ} (V)	V _{F_Max} (V)	V _{CE(SAT)_Max} (V)	I _{C(ON)_Min} (mA)	I _{CEO_Max.} (nA)	Gap Distance (mm)
ITR8010	10.3x9.22x9.25	1.2	1.6	0.4	0.5	100	2.1

Optical Sensors | Transmissive Sensor



UNIT : mm



Product	Size (LxWxHmm)	V _{F_Typ} (V)	V _{F_Max} (V)	V _{CE(SAT)_Max} (V)	I _{C(ON)_Min} (mA)	I _{CEO_Max.} (nA)	Gap Distance (mm)
ITR9608-F	13x6x10	1.2	1.5	0.4	0.5	100	5



UNIT : mm

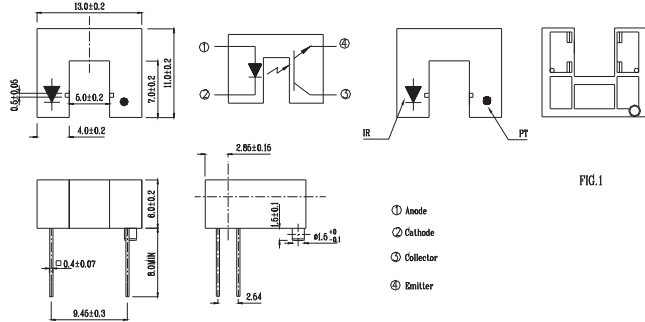
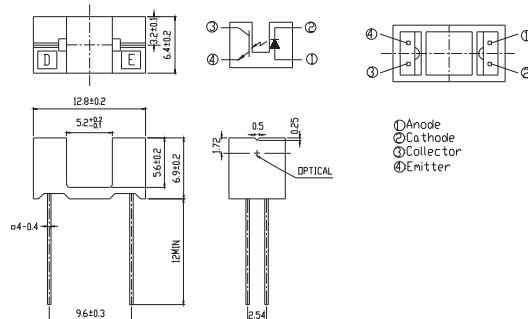


FIG.1

Product	Size (LxWxHmm)	V _{F_Typ} (V)	V _{F_Max} (V)	V _{CE(SAT)_Max} (V)	I _{C(ON)_Min} (mA)	I _{CEO_Max.} (nA)	Gap Distance (mm)
ITR9702-F	13x11x6	1.2	1.5	0.4	0.5	100	5

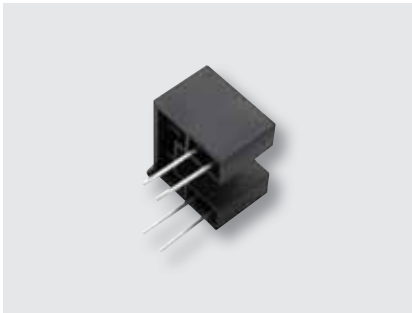


UNIT : mm

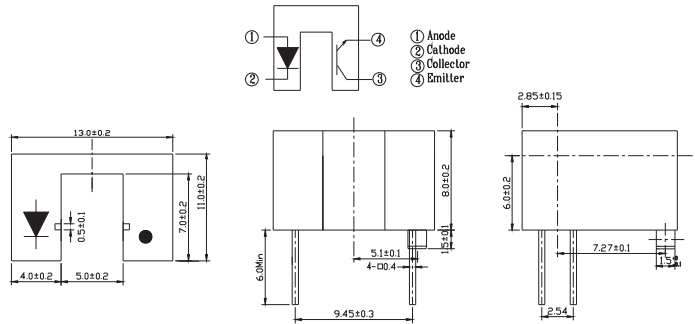


Product	Size (LxWxHmm)	V _{F_Typ} (V)	V _{F_Max} (V)	V _{CE(SAT)_Max} (V)	I _{C(ON)_Min} (mA)	I _{CEO_Max.} (nA)	Gap Distance (mm)
ITR9707	12.8x6.4x6.9	1.2	1.5	0.4	0.5	100	5.2

Optical Sensors | Transmissive Sensor



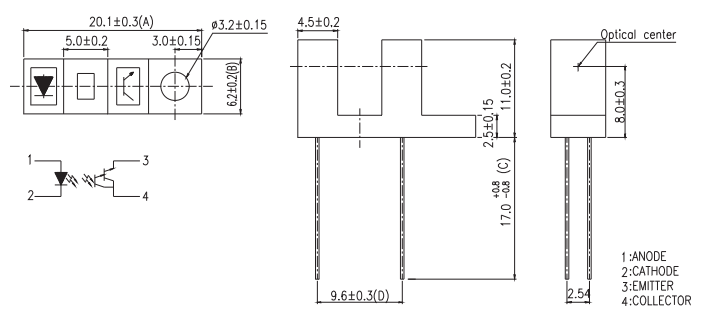
UNIT : mm



Product	Size (LxWxHmm)	V _{F_Typ} (V)	V _{F_Max} (V)	V _{CE(SAT)_Max} (V)	I _{C(ON)_Min} (mA)	I _{CEO_Max.} (nA)	Gap Distance (mm)
ITR9809-F/T	13x11x8	1.2	1.5	0.4	1	100	5



UNIT : mm

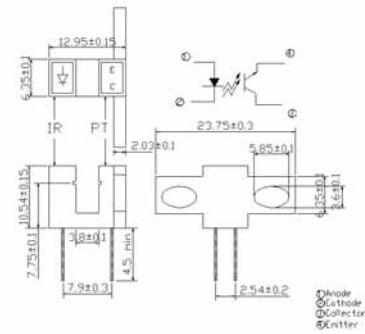


Product	Size (LxWxHmm)	V _{F_Typ} (V)	V _{F_Max} (V)	V _{CE(SAT)_Max} (V)	I _{C(ON)_Min} (mA)	I _{CEO_Max.} (nA)	Gap Distance (mm)
ITR9813	20.1x6.2x11	1.2	1.5	0.4	0.5	100	5

Optical Sensors | Transmissive Sensor



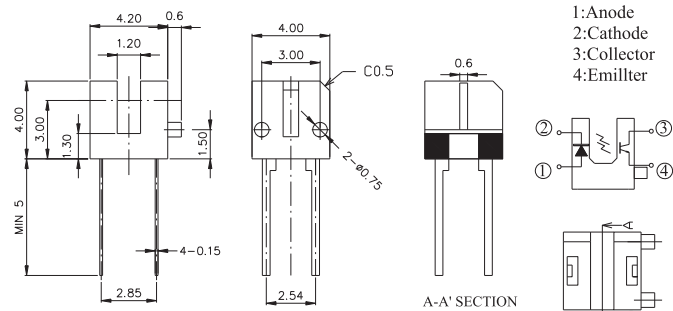
UNIT : mm



Product	Size (LxWxHmm)	V _{F_Typ} (V)	V _{F_Max} (V)	V _{CE(SAT)_Max} (V)	I _{C(ON)_Min} (mA)	I _{CEO_Max.} (nA)	Gap Distance (mm)
ITR20005-F	23.7x13x10.5	1.2	1.5	0.4	0.6	100	3.8



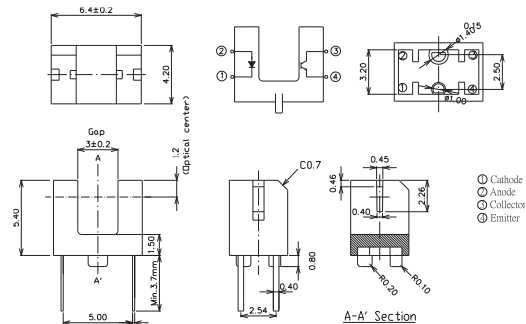
UNIT : mm



Product	Size (LxWxHmm)	V _{F_Typ} (V)	V _{F_Max} (V)	V _{CE(SAT)_Max} (V)	I _{C(ON)_Min} (mA)	I _{CEO_Max.} (nA)	Gap Distance (mm)
ITR20402	4.2x4x4	1.2	1.6	0.4	0.3	100	1.2



UNIT : mm

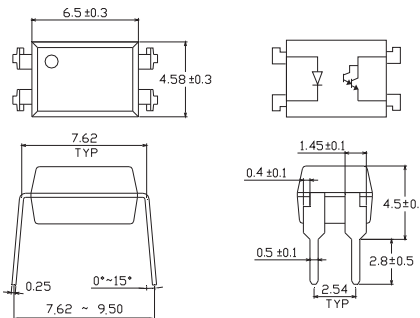


Product	Size (LxWxHmm)	V _{F_Typ} (V)	V _{F_Max} (V)	V _{CE(SAT)_Max} (V)	I _{C(ON)_Min} (mA)	I _{CEO_Max.} (nA)	Gap Distance (mm)
ITR20403	6.4x4.2x5.4	1.2	1.6	0.4	0.2	100	3

Photo Coupler | Darlington Transistor | 4Pin DIP-DC



UNIT : mm

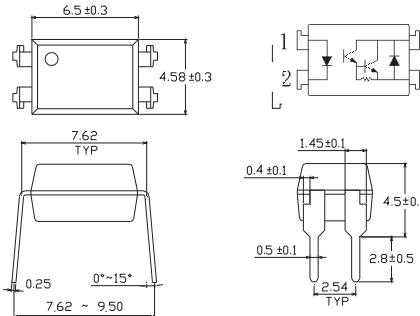


- 1: Anode
- 2: Cathode
- 3: Emittler
- 4: Collector

Product	Size (LxWxHmm)	V _{F_Typ} (V)	Rise / Fall Time (μs)	BV _{CEO_Min} (V)	CTR (%)	Viso (V _{rms})	V _{CE(SAT)_Max} (V)
EL815	6.5x4.58x3.5	1.2	60 / 53	35	600~7500	5000	1



UNIT : mm



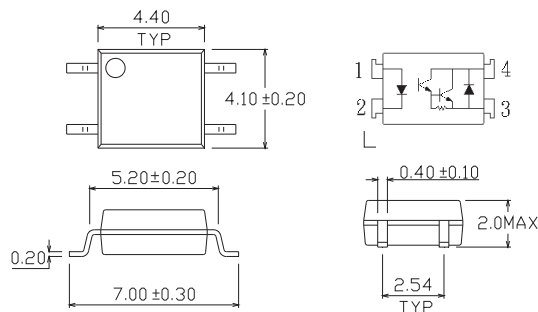
- 1: Anode
- 2: Cathode
- 3: Emittler
- 4: Collector

Product	Size (LxWxHmm)	V _{F_Typ} (V)	Rise / Fall Time (μs)	BV _{CEO_Min} (V)	CTR (%)	Viso (V _{rms})	V _{CE(SAT)_Max} (V)
EL852	6.5x4.58x3.5	1.2	300 / 100	350	1000~15000	5000	1.2

Photo Coupler | Darlington Transistor | 4Pin SOP-DC



UNIT : mm



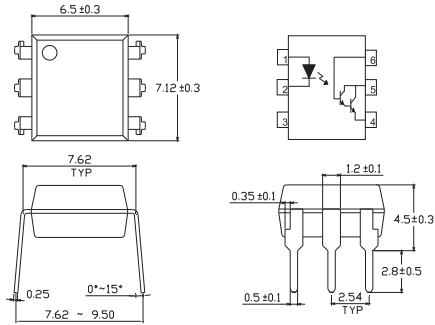
- 1: Anode
- 2: Cathode
- 3: Emittler
- 4: Collector

Product	Size (LxWxHmm)	V _{F_Typ} (V)	Rise / Fall Time (μs)	BV _{CEO_Min} (V)	CTR (%)	Viso (V _{rms})	V _{CE(SAT)_Max} (V)
EL452-G	4.4x4.1x2	1.2	80 / 10	350	1000 min.	3750	1.5

Photo Coupler | Darlington Transistor | 6Pin DIP-DC



UNIT : mm



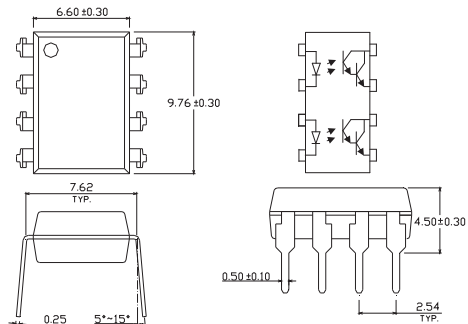
- 1. Anode
- 2. Cathode
- 3. No Connection
- 4. Emitter
- 5. Collector
- 6. Base

Product	Size (LxWxHmm)	V _{F_Typ} (V)	Rise / Fall Time (µs)	BV _{CEO_Min} (V)	CTR (%)	Viso (V _{rms})	V _{CE(SAT)_Max} (V)
4N29	7.12x6.5x3.5	1.2	5 / 40	55	100 min.	5000	1
4N30	7.12x6.5x3.5	1.2	5 / 40	55	100 min.	5000	1
4N31	7.12x6.5x3.5	1.2	5 / 40	55	50 min.	5000	1.2
4N32	7.12x6.5x3.5	1.2	5 / 100	55	500 min.	5000	1
4N33	7.12x6.5x3.5	1.2	5 / 100	55	500 min.	5000	1
H11B1	7.12x6.5x3.5	1.2	25 / 18	55	500 min.	5000	1
H11B2	7.12x6.5x3.5	1.2	25 / 18	55	200 min.	5000	1
H11B3	7.12x6.5x3.5	1.2	25 / 18	55	100 min.	5000	1
H11B255	7.12x6.5x3.5	1.2	25 / 18	55	100 min.	5000	1
TIL113	7.12x6.5x3.5	1.2	5 / 100	55	300 min.	5000	1.2

Photo Coupler | Darlington Transistor | 8Pin DIP-DC



UNIT : mm



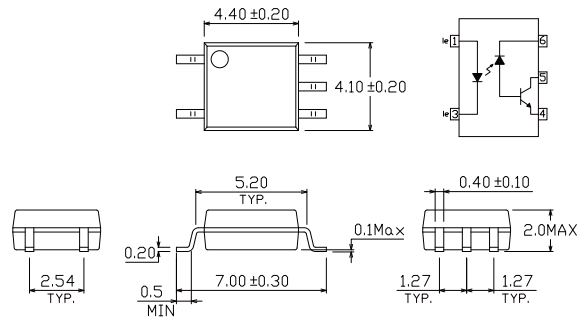
- 1, 3. Anode
- 2, 4. Cathode
- 5, 7. Emitter
- 6, 8. Collector

Product	Size (LxWxHmm)	V _{F_Typ} (V)	Rise / Fall Time (µs)	BV _{CEO_Min} (V)	CTR (%)	Viso (V _{rms})	V _{CE(SAT)_Max} (V)
EL825	9.76x6.6x3.5	1.2	60 / 53	40	600~7500	5000	1

Photo Coupler | High Speed | 5Pin SOP



UNIT : mm

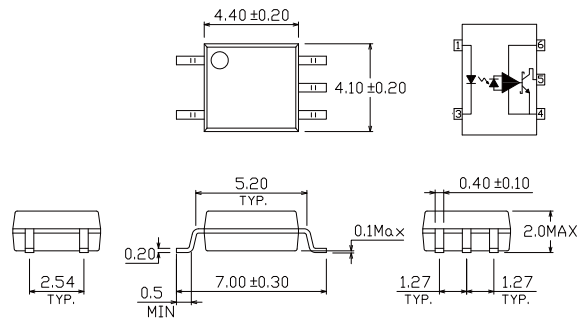


- 1. Anode
- 3. Cathode
- 4. Gnd
- 5. Vout
- 6. VCC

Product	Size (LxWxHmm)	tPHL / tPLH (ns)	Supply Voltage (V)	CTR (%)	Viso (V _{rms})	CMR (V/us)	I _O (mA)
ELM452	4.4x4.1x2	800 / 800	30 max.	20~50	3750	5000	8
ELM453	4.4x4.1x2	800 / 800	30 max.	20~50	3750	15000	8
ELM453L	4.4x4.1x2	800 / 800	30 max.	20~50	3750	15000	8



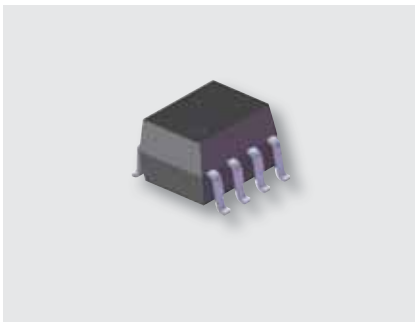
UNIT : mm



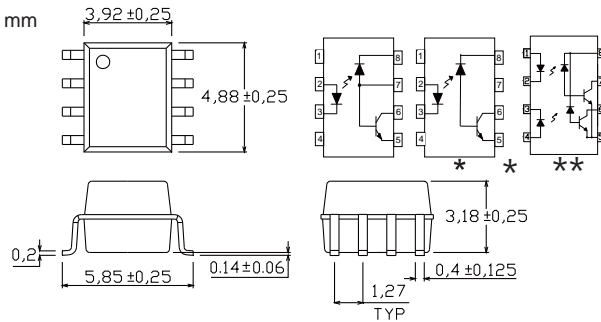
- 1: Anode
- 3: Cathode
- 4: Gnd
- 5: Vout
- 6: VCC

Product	Size (LxWxHmm)	tPHL / tPLH (ns)	Supply Voltage (V)	I _{FT} (mA)	Viso (V _{rms})	CMR (V/us)	I _O (mA)
ELM600	4.4x4.1x2	100 / 100	7 max.	5	3750	-	50 max.
ELM601	4.4x4.1x2	100 / 100	7 max.	5	3750	5000	50 max.
ELM611	4.4x4.1x2	100 / 100	7 max.	5	3750	20000	50 max.

Photo Coupler | High Speed | 8Pin SOP



UNIT : mm



1. Anode
2. Cathode
3. Cathode
4. Anode
5. Gnd
6. Vout 2
7. Vout 1
8. VCC

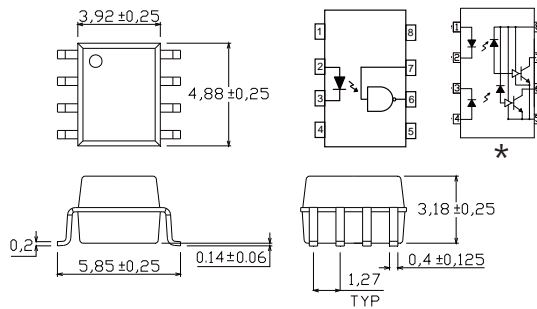
Product	Size (LxWxHmm)	tPHL / tPLH (ns)	Supply Voltage (V)	CTR (%)	Viso (V _{rms})	CMR (V/us)	I _O (mA)
*EL0452	4.88x3.92x3.18	1000 / 1000	30 max.	19~50	3750	1000	8
*EL0453	4.88x3.92x3.18	1000 / 1000	30 max.	19~50	3750	15000	8
EL0500	4.88x3.92x3.18	2000 / 2000	30 max.	7~50	3750	1000	8
EL0501	4.88x3.92x3.18	1000 / 1000	30 max.	19~50	3750	1000	8
EL050L	4.88x3.92x3.18	800 / 800	30 max.	20~50	3750	15000	8
**EL0530	4.88x3.92x3.18	2000 / 2000	30 max.	7~50	3750	1000	8
**EL0531	4.88x3.92x3.18	1000 / 1000	30 max.	19~50	3750	1000	8

Star mark * : Please refer to the schematic of Pin configuration with " * " " * * " mark

Photo Coupler



UNIT : mm

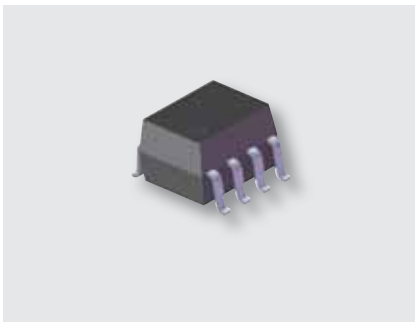


1. Anode
2. Cathode
3. Cathode
4. Anode
5. Gnd
6. Vout 2
7. Vout 1
8. VCC

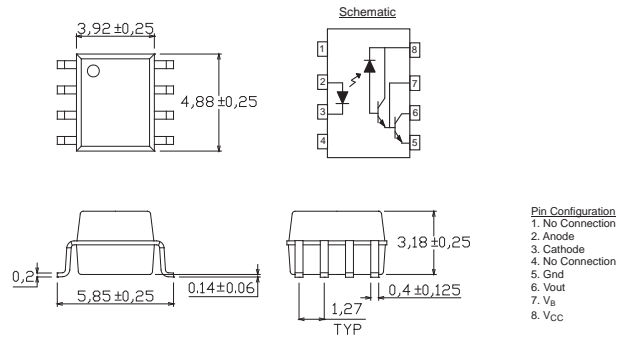
Product	Size (LxWxHmm)	tPHL / tPLH (ns)	Supply Voltage (V)	I _{FT} (mA)	Viso (V _{rms})	CMR (V/us)	I _O (mA)
EL0600	4.88x3.92x3.18	75 / 75	7 max.	5	3750	--	50 max.
EL0601	4.88x3.92x3.18	75 / 75	7 max.	5	3750	5000	50 max.
EL0611	4.88x3.92x3.18	75 / 75	7 max.	5	3750	10000	50 max.
EL060L	4.88x3.92x3.18	75 / 75	7 max.	5	3750	10000	50 max.
*EL0630	4.88x3.92x3.18	100 / 100	7 max.	5	3750	5000	50 max.
*EL0631	4.88x3.92x3.18	100 / 100	7 max.	5	3750	10000	50 max.

Star mark * : Please refer to the schematic of Pin configuration with " * " mark

Photo Coupler | High Speed | 8Pin DIP



UNIT : mm

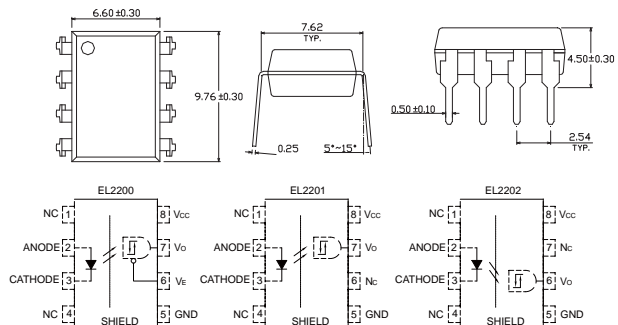


Product	Size (LxWxHmm)	tPHL / tPLH (ns)	Supply Voltage (V)	CTR (%)	Viso (V _{rms})	CMR (V/us)	I _O (mA)
EL0700	4.88 x 3.92 x 3.18	3000 / 8000	7	2000 typ.	3750	1000	60 max
EL0701	4.88 x 3.92 x 3.18	11000 / 20000	18	2500 typ.	3750	1000	60 max

Photo Coupler | High Speed Low Input Current | 8Pin SOP



UNIT : mm

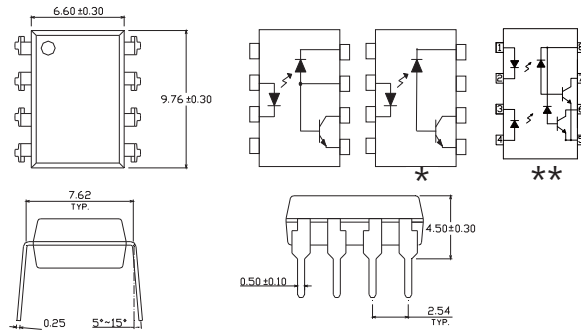


Product	Size (LxWxHmm)	tPHL / tPLH (ns)	Supply Voltage (V)	I _{FT} (mA)	Viso (V _{rms})	CMR (V/us)	I _O (mA)
EL2200	9.76x6.6x3.5	300 / 300	20 max	1.6	5000	1000	25 max
EL2201	9.76x6.6x3.5	300 / 300	20 max	1.6	5000	1000	25 max
EL2202	9.76x6.6x3.5	300 / 300	20 max	1.6	5000	1000	25 max

Photo Coupler | High Speed | 8Pin DIP



UNIT : mm



- 1. Anode
- 2. Cathode
- 3. Cathode
- 4. Anode
- 5. Gnd
- 6. Vout2
- 7. Vout1
- 8. VCC

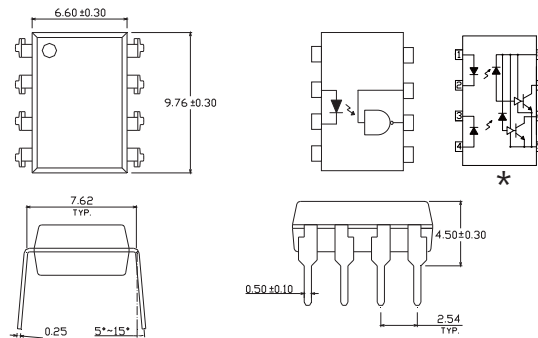
Product	Size (LxWxHmm)	tPHL / tPLH (ns)	Supply Voltage (V)	CTR (%)	Viso (V _{rms})	CMR (V/us)	I _O (mA)
6N135	9.76x6.6x3.5	2000 / 2000	30 max.	7~50	5000	1000	8
6N136	9.76x6.6x3.5	1000 / 1000	30 max.	19~50	5000	1000	8
*EL4502	9.76x6.6x3.5	1000 / 1000	30 max.	19~50	5000	1000	8
*EL4503	9.76x6.6x3.5	1000 / 1000	30 max.	19~50	5000	15000	8
*EL4504	9.76x6.6x3.5	400 / 400	30 max.	25~60	5000	15000	8
**EL2530	9.76x6.6x3.5	2000 / 2000	30 max.	7~50	5000	1000	8
**EL2531	9.76x6.6x3.5	1000 / 1000	30 max.	19~50	5000	1000	8

Star mark * : Please refer to the schematic of Pin configuration with " * " " ** " mark

Photo Coupler



UNIT : mm



- 1. No Connection
- 2. Anode
- 3. Cathode
- 4. No Connection
- 5. Gnd
- 6. Vout
- 7. VE
- 8. VCC

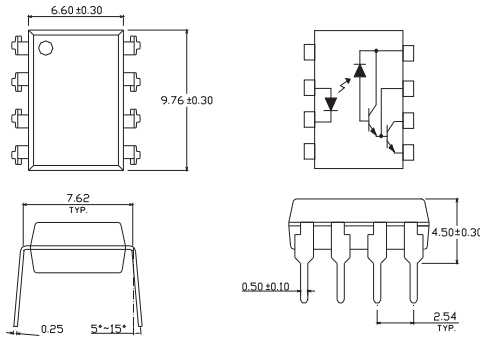
Product	Size (LxWxHmm)	tPHL / tPLH (ns)	Supply Voltage (V)	I _{FT} (mA)	Viso (V _{rms})	CMR (V/us)	I _O (mA)
6N137	9.76x6.6x3.5	75 / 75	7 max.	5	5000	-	50 max.
EL2601	9.76x6.6x3.5	75 / 75	7 max.	5	5000	5000	50 max.
EL2611	9.76x6.6x3.5	75 / 75	7 max.	5	5000	10000	50 max.
EL260L	9.76x6.6x3.5	75 / 75	7 max.	5	5000	10000	50 max.
*EL2630	9.76x6.6x3.5	100 / 100	7 max.	5	5000	5000	50 max.
*EL2631	9.76x6.6x3.5	100 / 100	7 max.	5	5000	10000	50 max.

Star mark * : Please refer to the schematic of Pin configuration with " * " mark

Photo Coupler | High Speed | 8Pin DIP



UNIT : mm



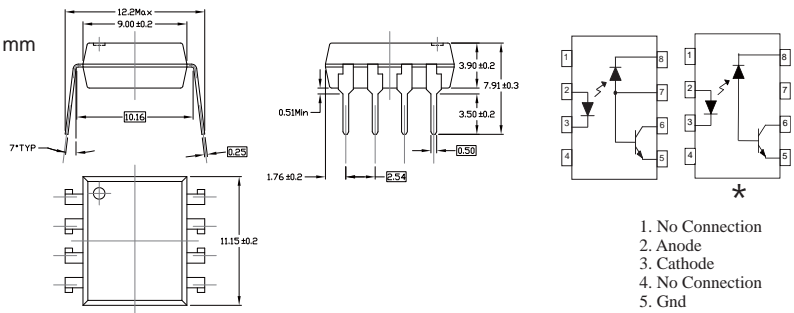
- 1. No Connection
- 2. Anode
- 3. Cathode
- 4. No Connection
- 5. Gnd
- 6. Vout
- 7. VB
- 8. VCC

Product	Size (LxWxHmm)	tPHL / tPLH (ns)	Supply Voltage (V)	CTR (%)	Viso (V _{rms})	CMR (V/us)	I _O (mA)
6N138	9.76x6.6x3.5	15000 / 50000	7 max.	300 min.	5000	1000	60 max.
6N139	9.76x6.6x3.5	30000 / 90000	18 max.	500 min.	5000	1000	60 max.

Photo Coupler | High Speed | 8Pin Wide Body DIP



UNIT : mm



- 1. No Connection
- 2. Anode
- 3. Cathode
- 4. No Connection
- 5. Gnd
- 6. Vout
- 7. VB
- 8. VCC

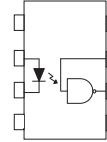
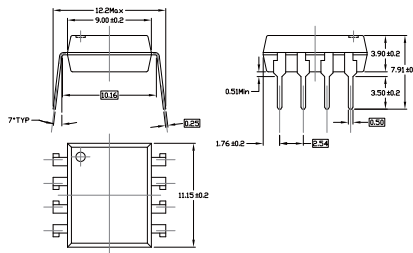
Product	Size (LxWxHmm)	tPHL / tPLH (ns)	Supply Voltage (V)	CTR (%)	Viso (V _{rms})	CMR (V/us)	I _O (mA)
ELW135	11.15x9x3.9	2000 / 2000	30 max.	7~50	5000	1000	8 max.
ELW136	11.15x9x3.9	1000 / 1000	30 max.	19~50	5000	1000	8 max.
*ELW4503	11.15x9x3.9	1000 / 1000	30 max.	19~50	5000	15000	8 max.

Star mark * : Please refer to the schematic of Pin configuration with " * " mark

Photo Coupler | High Speed | 8Pin Wide Body DIP



UNIT : mm



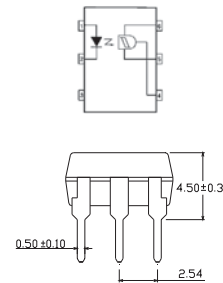
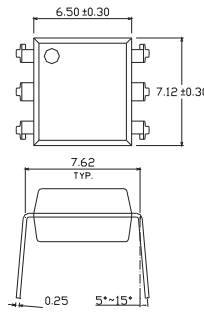
- 1. No Connection
- 2. Anode
- 3. Cathode
- 4. No Connection
- 5. Gnd
- 6. Vout
- 7. V_E
- 8. V_{CC}

Product	Size (LxWxHmm)	tPHL / tPLH (ns)	Supply Voltage (V)	I _{FT} (mA)	Viso (V _{rms})	CMR (V/us)	I _O (mA)
ELW137	11.15x9x3.9	100 / 100	7 max.	5	5000	-	50 max.
ELW2601	11.15x9x3.9	100 / 100	7 max.	5	5000	5000	50 max.
ELW2611	11.15x9x3.9	100 / 100	7 max.	5	5000	10000	50 max.

Photo Coupler | Schmitt Trigger | 6Pin DIP



UNIT : mm



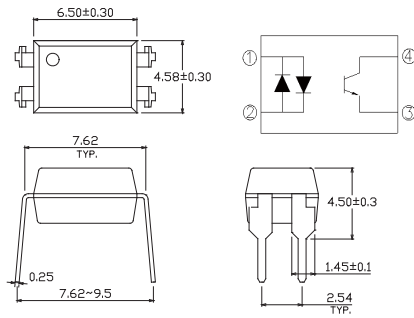
- 1. Anode
- 2. Cathode
- 3. No Connection
- 4. VO
- 5. GND
- 6. VCC

Product	Size (LxWxHmm)	Rise / Fall Time (μs)	Supply Voltage (V)	Viso (V _{rms})	I _{FT} (mA)	I _{CC_Max} (mA)	I _O (mA)
H11L1	7.12x6.5x3.5	0.1 / 0.1	3~15	5000	1.6	5	50 max.
H11L2	7.12x6.5x3.5	0.1 / 0.1	3~15	5000	10	5	50 max.
H11L3	7.12x6.5x3.5	0.1 / 0.1	3~15	5000	5	5	50 max.

Photo Coupler | Transistor | 4Pin DIP-AC



UNIT : mm



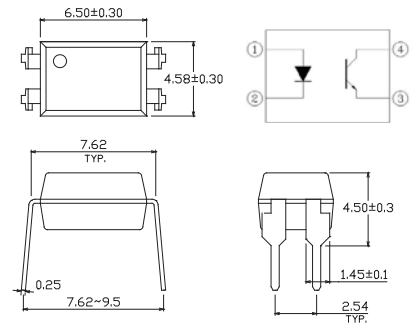
1. Anode / Cathode
2. Cathode / Anode
3. Emitter
4. Collector

Product	Size (LxWxHmm)	V _{F_Typ} (V)	Rise / Fall Time (μs)	BV _{CEO_Min} (V)	CTR (%)	Viso (V _{rms})	V _{CE(SAT)_Max} (V)
EL814	6.5x4.58x3.5	1.2	7 / 11	80	20~300	5000	0.2

Photo Coupler | Transistor | 4Pin DIP-DC



UNIT : mm

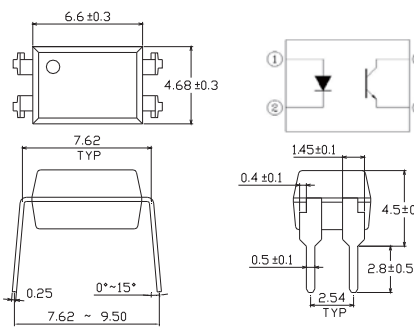


1. Anode
2. Cathode
3. Emitter
4. Collector

Product	Size (LxWxHmm)	V _{F_Typ} (V)	Rise / Fall Time (μs)	BV _{CEO_Min} (V)	CTR (%)	Viso (V _{rms})	V _{CE(SAT)_Max} (V)
EL816	6.5x4.58x3.5	1.2	4 / 3	80	50~600	5000	0.2
EL817	6.5x4.58x3.5	1.2	4 / 3	35	50~600	5000	0.2
EL817-G	6.5x4.58x3.5	1.2	6 / 8	80	50~600	5000	0.2
EL851	6.5x4.58x3.5	1.2	4 / 5	350	50~600	5000	0.4



UNIT : mm



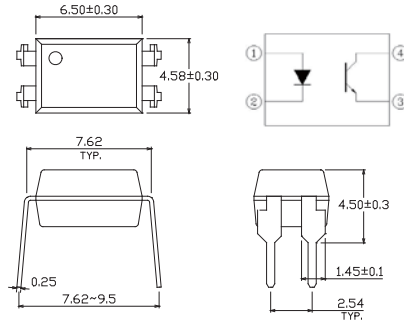
1. Anode
2. Cathode
3. Emitter
4. Collector

Product	Size (LxWxHmm)	V _{F_Typ} (V)	Rise / Fall Time (μs)	BV _{CEO_Min} (V)	CTR (%)	Viso (V _{rms})	V _{CE(SAT)_Max} (V)
EL617	6.6x4.68x3.5	1.2	4 / 3	80	50~600	5000	0.2

Photo Coupler | Transistor | Low input current transistor



UNIT : mm

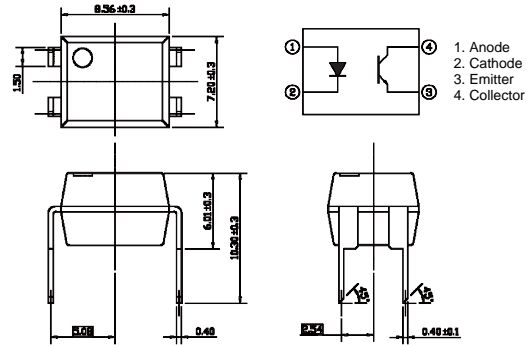


Product	Size (LxWxHmm)	V_{F_Typ} (V)	Rise / Fall Time (μ s)	BV_{CE0_Min} (V)	CTR (%)	Viso (V_{rms})	$V_{CE(SAT)_Max}$ (V)
EL8171	6.5x4.58x3.5	1.2	6 / 8	70	100~350	5000	0.2

Photo Coupler | Transistor | 4Pin High Isolation



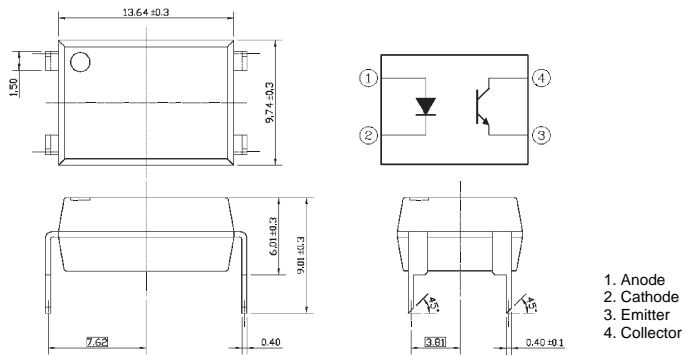
UNIT : mm



Product	Size (LxWxHmm)	V _{F_Typ} (V)	Rise / Fall Time (μs)	BV _{CEO_Min} (V)	CTR (%)	Viso (V _{rms})	V _{CE(SAT)_Max} (V)
CNY64	8.56x7.2x6.01	1.6	3 / 5	80	50~300	8200	0.3



UNIT : mm

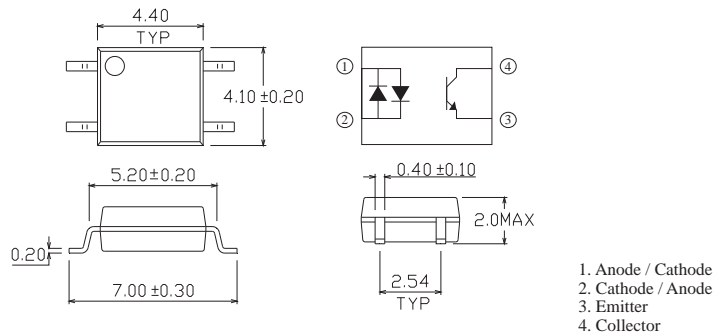


Product	Size (LxWxHmm)	V _{F_Typ} (V)	Rise / Fall Time (μs)	BV _{CEO_Min} (V)	CTR (%)	Viso (V _{rms})	V _{CE(SAT)_Max} (V)
CNY65	13.64x9.74x6.01	1.6	3 / 5	80	50~300	10000	0.3

Photo Coupler | Transistor | 4Pin SOP-AC



UNIT : mm

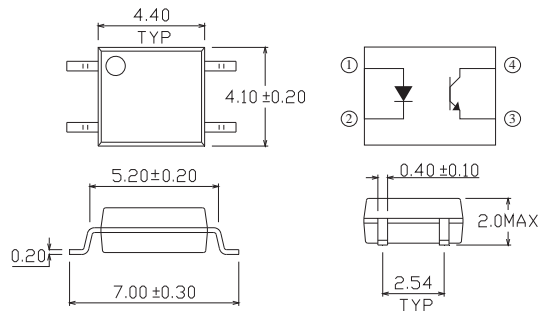


Product	Size (LxWxHmm)	V _{F_Typ} (V)	Rise / Fall Time (μs)	BV _{CEO_Min} (V)	CTR (%)	Viso (V _{rms})	V _{CE(SAT)_Max} (V)
EL354N-G	4.4x4.1x2	1.2	6 / 8	80	20~300	3750	0.2

Photo Coupler | Transistor | 4Pin SOP-DC



UNIT : mm

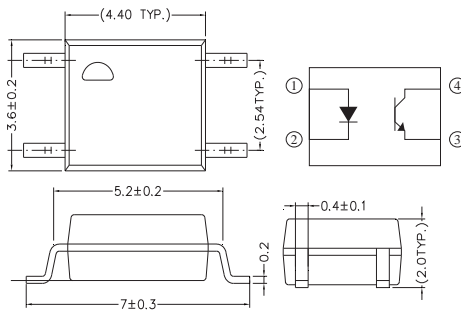


- 1. Anode
- 2. Cathode
- 3. Emitter
- 4. Collector

Product	Size (LxWxHmm)	V _{F_Typ} (V)	Rise / Fall Time (μs)	BV _{CEO_Min} (V)	CTR (%)	Viso (V _{rms})	V _{CE(SAT)_Max} (V)
EL357N-G	4.4x4.1x2	1.2	3 / 4	80	50~600	3750	0.2



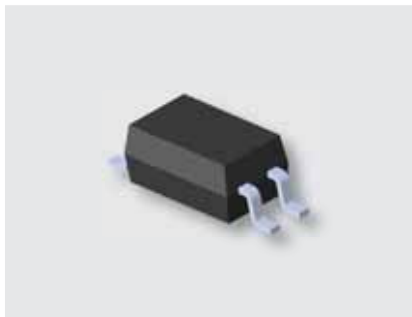
UNIT : mm



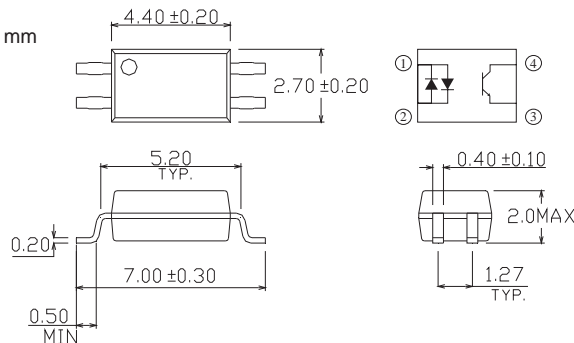
- 1. Anode
- 2. Cathode
- 3. Emitter
- 4. Collector

Product	Size (LxWxHmm)	V _{F_Typ} (V)	Rise / Fall Time (μs)	BV _{CEO_Min} (V)	CTR (%)	Viso (V _{rms})	V _{CE(SAT)_Max} (V)
EL121N	4.4x3.6x2	1.2	3 / 4	80	50~600	3750	0.2

Photo Coupler | Transistor | 4Pin SSOP-AC



UNIT : mm

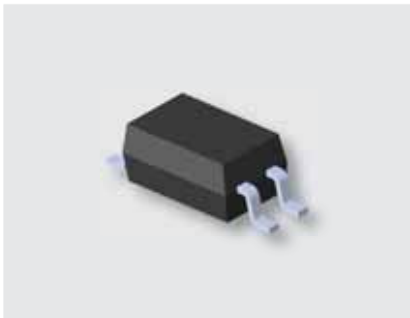


- 1. Anode/Cathode
- 2. Cathode/Anode
- 3. Emitter
- 4. Collector

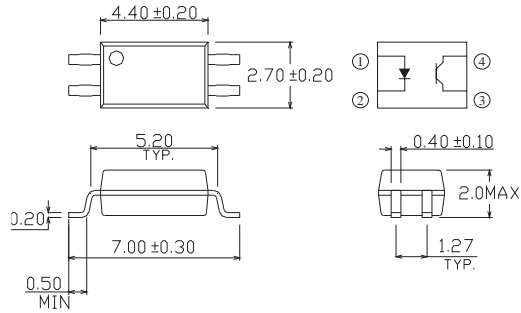
Product	Size (LxWxHmm)	V _{F_Typ} (V)	Rise / Fall Time (μs)	BV _{CEO_Min} (V)	CTR (%)	Viso (V _{rms})	V _{CE(SAT)_Max} (V)
EL3H4-G	4.4x2.7x2	1.2	6 / 8	80	20~300	3750	0.2

Photo Coupler

Photo Coupler | Transistor | 4Pin SSOP-DC



UNIT : mm

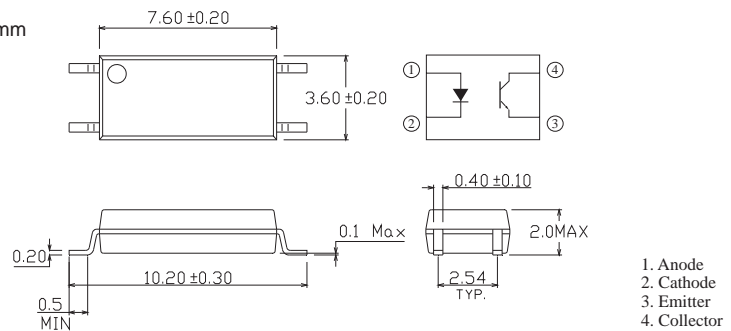


Product	Size (LxWxHmm)	V _{F_Typ} (V)	Rise / Fall Time (μs)	BV _{CE0_Min} (V)	CTR (%)	Viso (V _{rms})	V _{CE(SAT)_Max} (V)
EL3H7-G	4.4x2.7x2	1.2	5 / 3	80	50-600	3750	0.2

Photo Coupler | Transistor | 4Pin Long Creepage

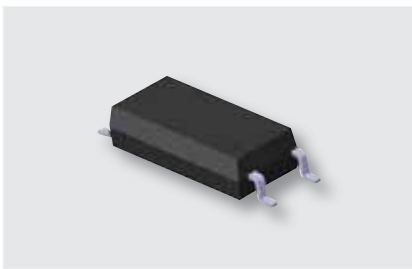


UNIT : mm

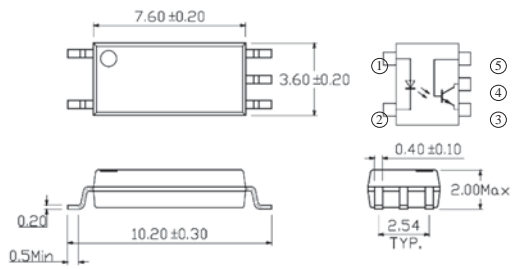


Product	Size (LxWxHmm)	V _{F_Typ} (V)	Rise / Fall Time (μs)	BV _{CE0_Min} (V)	CTR (%)	Viso (V _{rms})	V _{CE(SAT)_Max} (V)
EL1010-G	7.6x3.6x2	1.45	2 / 3	80	50-600	5000	0.3
EL1012-G	7.6x3.6x2	1.45	2 / 3	80	63-125	5000	0.3
EL1013-G	7.6x3.6x2	1.45	2 / 3	80	100-200	5000	0.3
EL1014-G	7.6x3.6x2	1.45	2 / 3	80	160-320	5000	0.3
EL1017-G	7.6x3.6x2	1.45	2 / 3	80	80-160	5000	0.3
EL1018-G	7.6x3.6x2	1.45	2 / 3	80	130-260	5000	0.3
EL1019-G	7.6x3.6x2	1.45	2 / 3	80	200-400	5000	0.3

Photo Coupler | Transistor | 5Pin Long Creepage



UNIT : mm



- 1. Anode
- 2. Cathode
- 3. Emitter
- 4. Collector
- 5. Base

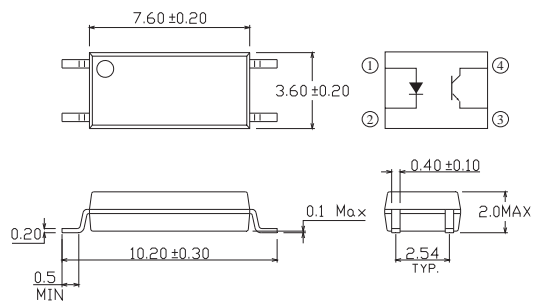
Product	Size (LxWxHmm)	V _{F_Typ} (V)	Rise / Fall Time (μs)	BV _{CEO_Min} (V)	CTR (%)	Viso (V _{rms})	V _{CE(SAT)_Max} (V)
EL1110-G	7.6x3.6x2	1.45	2 / 3	80	50-600	5000	0.4
EL1112-G	7.6x3.6x2	1.45	2 / 3	80	63-125	5000	0.4
EL1113-G	7.6x3.6x2	1.45	2 / 3	80	100-200	5000	0.4
EL1114-G	7.6x3.6x2	1.45	2 / 3	80	160-320	5000	0.4
EL1116-G	7.6x3.6x2	1.45	2 / 3	80	100-300	5000	0.4
EL1117-G	7.6x3.6x2	1.45	2 / 3	80	80-160	5000	0.4
EL1118-G	7.6x3.6x2	1.45	2 / 3	80	130-260	5000	0.4
EL1119-G	7.6x3.6x2	1.45	2 / 3	80	200-400	5000	0.4

Photo Coupler | Low Input Current Transistor | 5 Pin Long Creepage

Photo Coupler



UNIT : mm



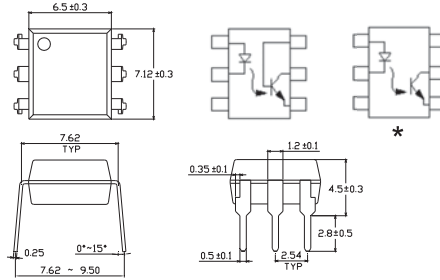
- 1. Anode
- 2. Cathode
- 3. Emitter
- 4. Collector

Product	Size (LxWxHmm)	V _{F_Typ} (V)	Rise / Fall Time (μs)	BV _{CEO_Min} (V)	CTR (%)	Viso (V _{rms})	V _{CE(SAT)_Max} (V)
EL357L	7.6x3.6x2	1.45	7 / 8	80	63-300	5000	0.4
EL357L(A)	7.6x3.6x2	1.45	7 / 8	80	63-125	5000	0.4
EL357L(B)	7.6x3.6x2	1.45	7 / 8	80	100-200	5000	0.4
EL357L(C)	7.6x3.6x2	1.45	7 / 8	80	150-300	5000	0.4

Photo Coupler | Transistor | 6Pin DIP-DC



UNIT : mm



1. Anode
2. Cathode
3. No Connection
4. Emitter
5. Collector
6. Base

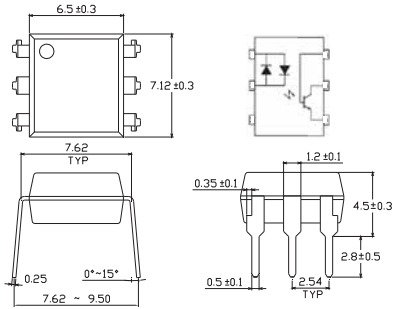
Product	Size (LxWxHmm)	V _{F_Typ} (V)	Rise / Fall Time (µs)	BV _{CEO_Min} (V)	CTR (%)	Viso (V _{rms})	V _{CE(SAT)_Max} (V)
4N25	7.12x6.5x3.5	1.2	3 / 3	80	20 min.	5000	0.5
4N26	7.12x6.5x3.5	1.2	3 / 3	80	20 min.	5000	0.5
4N27	7.12x6.5x3.5	1.2	3 / 3	80	10 min.	5000	0.5
4N28	7.12x6.5x3.5	1.2	3 / 3	80	10 min.	5000	0.5
4N35	7.12x6.5x3.5	1.2	10 / 9	80	100 min.	5000	0.3
4N36	7.12x6.5x3.5	1.2	10 / 9	80	100 min.	5000	0.3
4N37	7.12x6.5x3.5	1.2	10 / 9	80	100 min.	5000	0.3
4N38	7.12x6.5x3.5	1.2	10 / 9	80	20 min.	5000	1
CNY17-1	7.12x6.5x3.5	--	6 / 8	80	40~80	5000	0.3
CNY17-2	7.12x6.5x3.5	--	6 / 8	80	63~125	5000	0.3
CNY17-3	7.12x6.5x3.5	--	6 / 8	80	100~200	5000	0.3
CNY17-4	7.12x6.5x3.5	--	6 / 8	80	160~320	5000	0.3
*CNY17F-1	7.12x6.5x3.5	--	6 / 8	80	40~80	5000	0.3
*CNY17F-2	7.12x6.5x3.5	--	6 / 8	80	63~125	5000	0.3
*CNY17F-3	7.12x6.5x3.5	--	6 / 8	80	100~200	5000	0.3
*CNY17F-4	7.12x6.5x3.5	--	6 / 8	80	160~320	5000	0.3
H11A1	7.12x6.5x3.5	1.2	3 / 3	80	50 min.	5000	0.4
H11A2	7.12x6.5x3.5	1.2	3 / 3	80	20 min.	5000	0.4
H11A3	7.12x6.5x3.5	1.2	3 / 3	80	20 min.	5000	0.4
H11A4	7.12x6.5x3.5	1.2	3 / 3	80	10 min.	5000	0.4
H11A5	7.12x6.5x3.5	1.2	3 / 3	80	30 min.	5000	0.4
MCT2E	7.12x6.5x3.5	1.23	3 / 3	80	20 min.	5000	0.4
TIL111	7.12x6.5x3.5	1.22	6 / 8	80	--	5000	0.4
TIL117	7.12x6.5x3.5	--	6 / 8	80	50 min.	5000	0.4

Star mark * : Please refer to the schematic of Pin configuration with " * " mark

Photo Coupler | Transistor | 6Pin DIP-AC



UNIT : mm



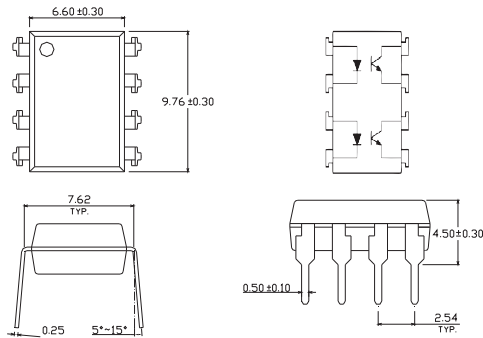
1. Anode/Cathode
2. Cathode/Anode
3. No Connection
4. Emitter
5. Collector
6. Base

Product	Size (LxWxHmm)	V _{F_Typ} (V)	Rise / Fall Time (μs)	BV _{CEO_Min} (V)	CTR (%)	Viso (V _{rms})	V _{CE(SAT)_Max} (V)
H11AA1	7.12x6.5x3.5	1.2	10 / 10	80	20 min.	5000	0.4
H11AA2	7.12x6.5x3.5	1.2	10 / 10	80	10 min.	5000	0.4
H11AA3	7.12x6.5x3.5	1.2	10 / 10	80	50 min.	5000	0.4
H11AA4	7.12x6.5x3.5	1.2	10 / 10	80	100 min.	5000	0.4

Photo Coupler | Transistor | 8Pin DIP-DC



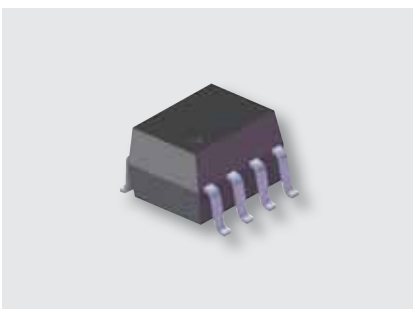
UNIT : mm



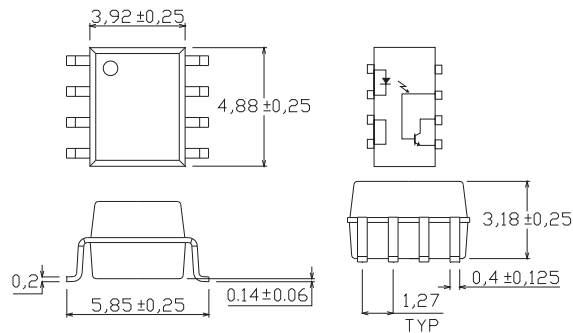
1. 3. Anode
2. 4. Cathode
5. 7. Emitter
6. 8. Collector

Product	Size (LxWxHmm)	V _{F_Typ} (V)	Rise / Fall Time (μs)	BV _{CEO_Min} (V)	CTR (%)	Viso (V _{rms})	V _{CE(SAT)_Max} (V)
EL827	9.76x6.5x3.5	1.2	3 / 4	80	50~600	5000	0.2

Photo Coupler | Transistor | 8Pin SOP-DC



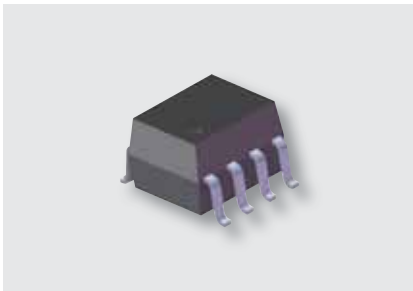
UNIT : mm



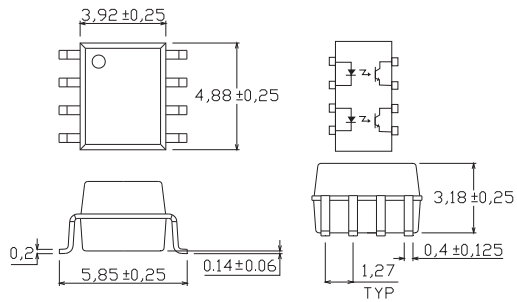
1. Anode
2. Cathode
3. No Connection
4. No Connection
5. Emitter
6. Collector
7. Base
8. No Connection

Product	Size (LxWxHmm)	V _{F_Typ} (V)	Rise / Fall Time (μs)	BV _{CEO_Min} (V)	CTR (%)	Viso (V _{rms})	V _{CE(SAT)_Max} (V)
EL205	4.88x3.92x3.18	1.3	1.6 / 2.2	80	40~80	3750	0.4
EL206	4.88x3.92x3.18	1.3	1.6 / 2.2	80	63~125	3750	0.4
EL207	4.88x3.92x3.18	1.3	1.6 / 2.2	80	100~200	3750	0.4
EL208	4.88x3.92x3.18	1.3	1.6 / 2.2	80	160~320	3750	0.4
EL211	4.88x3.92x3.18	1.3	1.6 / 2.2	80	20 min.	3750	0.4
EL212	4.88x3.92x3.18	1.3	1.6 / 2.2	80	50 min.	3750	0.4
EL213	4.88x3.92x3.18	1.3	1.6 / 2.2	80	100 min.	3750	0.4
EL215	4.88x3.92x3.18	1.3	1.6 / 2.2	80	10 min.	3750	0.4
EL216	4.88x3.92x3.18	1.3	1.6 / 2.2	80	50 min.	3750	0.4
EL217	4.88x3.92x3.18	1.3	1.6 / 2.2	80	100 min.	3750	0.4

Photo Coupler | Transistor | 8Pin SSOP-DC



UNIT : mm



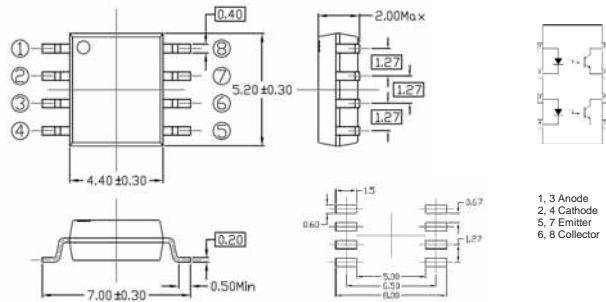
- 1. Anode
- 2. Cathode
- 3. No Connection
- 4. No Connection
- 5. Emitter
- 6. Collector
- 7. Base
- 8. No Connection

Product	Size (LxWxHmm)	V _{F_Typ} (V)	Rise / Fall Time (µs)	BV _{CEO_Min} (V)	CTR (%)	Viso (V _{rms})	V _{CE(SAT)_Max} (V)
ELD205	4.88x3.92x3.18	1.2	1.6 / 2.2	80	40~80	3750	0.4
ELD206	4.88x3.92x3.18	1.2	1.6 / 2.2	80	63~125	3750	0.4
ELD207	4.88x3.92x3.18	1.2	1.6 / 2.2	80	100~200	3750	0.4
ELD211	4.88x3.92x3.18	1.2	1.6 / 2.2	80	20 min.	3750	0.4
ELD213	4.88x3.92x3.18	1.2	1.6 / 2.2	80	100 min.	3750	0.4
ELD217	4.88x3.92x3.18	1.2	1.6 / 2.2	80	100 min.	3750	0.4

Photo Coupler | Transistor | 8Pin SSOP-DC



UNIT : mm



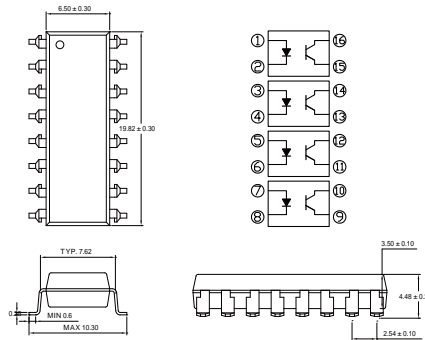
- 1, 3 Anode
- 2, 4 Cathode
- 5, 7 Emitter
- 6, 8 Collector

Product	Size (LxWxHmm)	V _{F_Typ} (V)	Rise / Fall Time (µs)	BV _{CEO_Min} (V)	CTR (%)	Viso (V _{rms})	V _{CE(SAT)_Max} (V)
ELD3H7	5.2x4.4x2	1.2	5 / 3	80	50~600	3750	0.2

Photo Coupler | Transistor | 16Pin DIP-DC



UNIT : mm



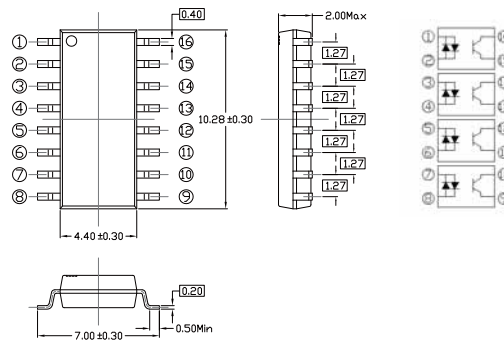
1, 3, 5, 7 Anode
2, 4, 6, 8 Cathode
9, 11, 13, 15 Emitter
10, 12, 14, 16 Collector

Product	Size (LxWxHmm)	V _{F_Typ} (V)	Rise / Fall Time (μs)	BV _{CEO_Min} (V)	CTR (%)	Viso (V _{rms})	V _{CE(SAT)_Max} (V)
EL847	19.82x6.5x3.5	1.2	4 / 3	80	50~600	5000	0.2

Photo Coupler | Transistor | 16Pin SSOP-AC



UNIT : mm



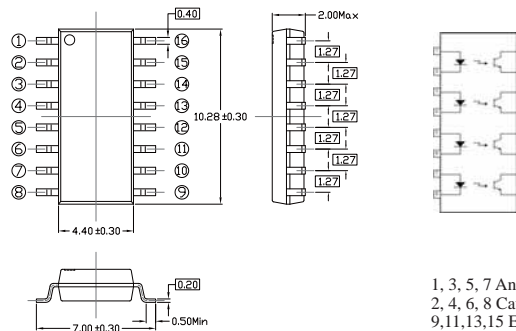
1, 3, 5, 7 Anode/Cathode
2, 4, 6, 8 Cathode/Anode
9, 11, 13, 15 Emitter
10, 12, 14, 16 Collector

Product	Size (LxWxHmm)	V _{F_Typ} (V)	Rise / Fall Time (μs)	BV _{CEO_Min} (V)	CTR (%)	Viso (V _{rms})	V _{CE(SAT)_Max} (V)
ELQ3H4	10.28x4.4x2	1.2	5 / 3	80	20~300	3750	0.2

Photo Coupler | Transistor | 16Pin SSOP-DC



UNIT : mm

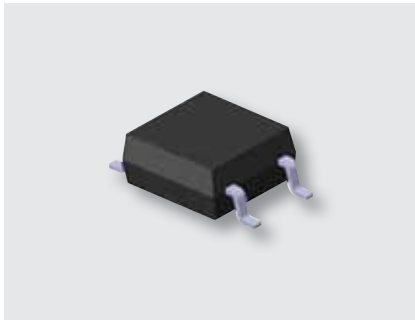


1, 3, 5, 7 Anode
2, 4, 6, 8 Cathode
9, 11, 13, 15 Emitter

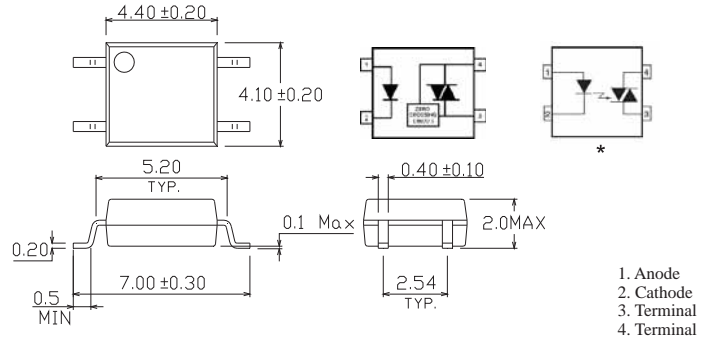
Product	Size (LxWxHmm)	V _{F_Typ} (V)	Rise / Fall Time (μs)	BV _{CEO_Min} (V)	CTR (%)	Viso (V _{rms})	V _{CE(SAT)_Max} (V)
ELQ3H7	10.28x4.4x2	1.2	5 / 3	80	50~600	3750	0.2

Photo Coupler

Photo Coupler | Triac | 4Pin SOP



UNIT : mm



- 1. Anode
- 2. Cathode
- 3. Terminal
- 4. Terminal

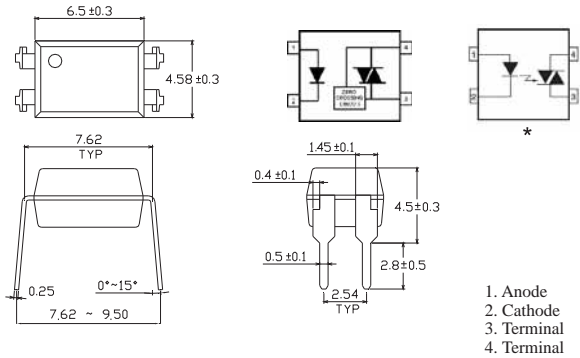
Product	Size (LxWxHmm)	V _{TM} (V)	V _{INH} (V)	V _{DRM} (V)	V _{F_Max} (V)	Viso (V _{rms})	I _{FT} (mA)
ELM3042	4.4x4.1x2	3	20	400	1.5	3750	10
ELM3043	4.4x4.1x2	3	20	400	1.5	3750	5
ELM3044	4.4x4.1x2	3	20	400	1.5	3750	3
ELM3062	4.4x4.1x2	3	20	600	1.5	3750	10
ELM3063	4.4x4.1x2	3	20	600	1.5	3750	5
ELM3064	4.4x4.1x2	3	20	600	1.5	3750	3
ELM3082	4.4x4.1x2	3	20	800	1.5	3750	10
ELM3083	4.4x4.1x2	3	20	800	1.5	3750	5
ELM3084	4.4x4.1x2	3	20	800	1.5	3750	3
*ELM3022	4.4x4.1x2	2.5	--	400	1.2	3750	10
*ELM3023	4.4x4.1x2	2.5	--	400	1.2	3750	5
*ELM3024	4.4x4.1x2	2.5	--	400	1.2	3750	3
*ELM3052	4.4x4.1x2	2.5	--	600	1.2	3750	10
*ELM3053	4.4x4.1x2	2.5	--	600	1.2	3750	5
*ELM3054	4.4x4.1x2	2.5	--	600	1.2	3750	3

Star mark * : Please refer to the schematic of Pin configuration with " * " mark

Photo Coupler | Triac | 4Pin DIP



UNIT : mm



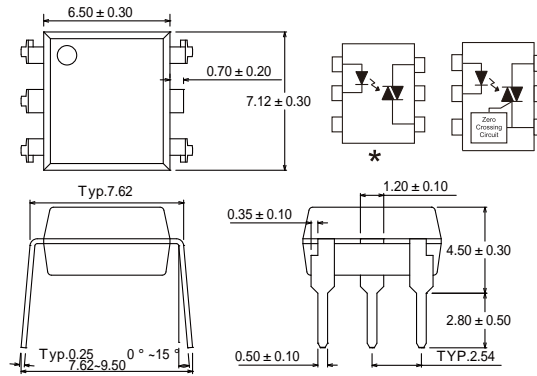
Product	Size (LxWxHmm)	V _{TM} (V)	V _{INH} (V)	V _{DRM} (V)	V _{F_Max} (V)	Viso (V _{rms})	I _{FT} (mA)
ELT3041	6.5x4.58x3.5	3	20	400	1.5	5000	15
ELT3042	6.5x4.58x3.5	3	20	400	1.5	5000	10
ELT3043	6.5x4.58x3.5	3	20	400	1.5	5000	5
ELT3061	6.5x4.58x3.5	3	20	600	1.5	5000	15
ELT3062	6.5x4.58x3.5	3	20	600	1.5	5000	10
ELT3063	6.5x4.58x3.5	3	20	600	1.5	5000	5
ELT3081	6.5x4.58x3.5	3	20	800	1.5	5000	15
ELT3082	6.5x4.58x3.5	3	20	800	1.5	5000	10
ELT3083	6.5x4.58x3.5	3	20	800	1.5	5000	5
*ELT3021	6.5x4.58x3.5	2.5	-	400	1.2	5000	15
*ELT3022	6.5x4.58x3.5	2.5	-	400	1.2	5000	10
*ELT3023	6.5x4.58x3.5	2.5	-	400	1.2	5000	5
*ELT3051	6.5x4.58x3.5	2.5	-	600	1.2	5000	15
*ELT3052	6.5x4.58x3.5	2.5	-	600	1.2	5000	10
*ELT3053	6.5x4.58x3.5	2.5	-	600	1.2	5000	5

Star mark * : Please refer to the schematic of Pin configuration with " * " mark

Photo Coupler | Triac | 5Pin DIP



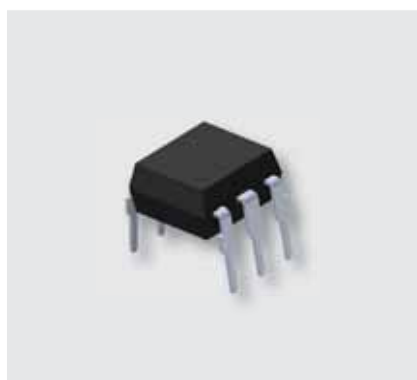
UNIT : mm



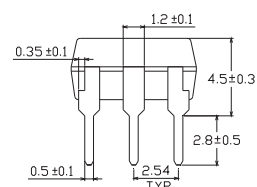
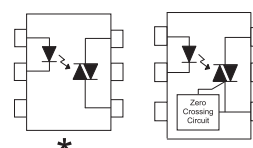
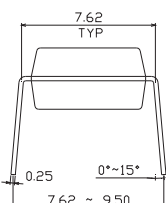
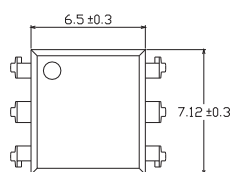
1. Anode
2. Cathode
3. No Connection
4. Terminal
5. Pin Cut
6. Terminal

Product	Size (LxWxHmm)	V _{TM} (V)	V _{INH} (V)	V _{DRM} (V)	V _{F-Typ} (V)	Viso (V _{rms})	I _{FT} (mA)
EL3031(P5)	7.12x6.5x3.5	3	20	250	--	5000	15
EL3032(P5)	7.12x6.5x3.5	3	20	250	--	5000	10
EL3033(P5)	7.12x6.5x3.5	3	20	250	--	5000	5
EL3041(P5)	7.12x6.5x3.5	3	20	400	--	5000	15
EL3042(P5)	7.12x6.5x3.5	3	20	400	--	5000	10
EL3043(P5)	7.12x6.5x3.5	3	20	400	--	5000	5
EL3061(P5)	7.12x6.5x3.5	3	20	600	--	5000	15
EL3062(P5)	7.12x6.5x3.5	3	20	600	--	5000	10
EL3063(P5)	7.12x6.5x3.5	3	20	600	--	5000	5
EL3081(P5)	7.12x6.5x3.5	3	20	800	--	5000	15
EL3082(P5)	7.12x6.5x3.5	3	20	800	--	5000	10
EL3083(P5)	7.12x6.5x3.5	3	20	800	--	5000	5
*EL3010(P5)	7.12x6.5x3.5	2.5	--	250	1.18	5000	15
*EL3011(P5)	7.12x6.5x3.5	2.5	--	250	1.18	5000	10
*EL3012(P5)	7.12x6.5x3.5	2.5	--	250	1.18	5000	5
*EL3021(P5)	7.12x6.5x3.5	2.5	--	400	1.18	5000	15
*EL3022(P5)	7.12x6.5x3.5	2.5	--	400	1.18	5000	10
*EL3023(P5)	7.12x6.5x3.5	2.5	--	400	1.18	5000	5
*EL3051(P5)	7.12x6.5x3.5	2.5	--	600	1.18	5000	15
*EL3052(P5)	7.12x6.5x3.5	2.5	--	600	1.18	5000	10
*EL3053(P5)	7.12x6.5x3.5	2.5	--	600	1.18	5000	5

Photo Coupler | Triac | 6Pin DIP



UNIT : mm



1. Anode
2. Cathode
3. No Connection
4. Terminal
5. Substrate (do not connect)
6. Terminal

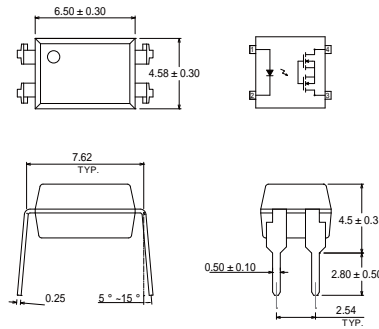
Product	Size (LxWxHmm)	V _{TM} (V)	V _{INH} (V)	V _{DRM} (V)	V _{F_Typ} (V)	Viso (V _{rms})	I _{FT} (mA)
EL3031	7.12x6.5x3.5	3	20	250	--	5000	15
EL3032	7.12x6.5x3.5	3	20	250	--	5000	10
EL3033	7.12x6.5x3.5	3	20	250	--	5000	5
EL3041	7.12x6.5x3.5	3	20	400	--	5000	15
EL3042	7.12x6.5x3.5	3	20	400	--	5000	10
EL3043	7.12x6.5x3.5	3	20	400	--	5000	5
EL3061	7.12x6.5x3.5	3	20	600	--	5000	15
EL3062	7.12x6.5x3.5	3	20	600	--	5000	10
EL3063	7.12x6.5x3.5	3	20	600	--	5000	5
EL3081	7.12x6.5x3.5	3	20	800	--	5000	15
EL3082	7.12x6.5x3.5	3	20	800	--	5000	10
EL3083	7.12x6.5x3.5	3	20	800	--	5000	5
*EL3010	7.12x6.5x3.5	2.5	--	250	1.18	5000	15
*EL3011	7.12x6.5x3.5	2.5	--	250	1.18	5000	10
*EL3012	7.12x6.5x3.5	2.5	--	250	1.18	5000	5
*EL3021	7.12x6.5x3.5	2.5	--	400	1.18	5000	15
*EL3022	7.12x6.5x3.5	2.5	--	400	1.18	5000	10
*EL3023	7.12x6.5x3.5	2.5	--	400	1.18	5000	5
*EL3051	7.12x6.5x3.5	2.5	--	600	1.18	5000	15
*EL3052	7.12x6.5x3.5	2.5	--	600	1.18	5000	10
*EL3053	7.12x6.5x3.5	2.5	--	600	1.18	5000	5

Star mark * : Please refer to the schematic of Pin configuration with " * " mark

Photo Coupler | Relay(Solid State Relay) | 4Pin DIP



UNIT : mm



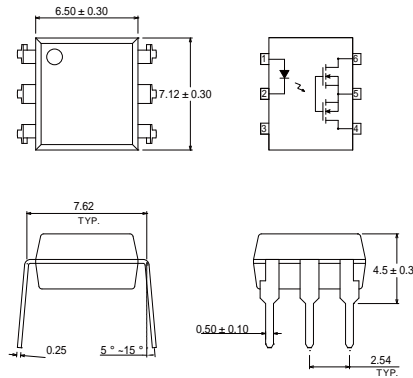
- 1. LED Anode
- 2. LED Cathode
- 3.4 MOSFET

Product	Size (LxWxHmm)	Output type	Load Voltage (V)	Load Current (mA)	Ron Typ.(Ω)	I _{fon} max. (mA)	Viso (Vrms)
EL406A	6.5x4.58x3.5	Normally Open 1a	60	550	0.75	5	5000
EL425A	6.5x4.58x3.5	Normally Open 1a	250	180	6.5	5	5000
EL440A	6.5x4.58x3.5	Normally Open 1a	400	120	20	5	5000
EL460A	6.5x4.58x3.5	Normally Open 1a	600	50	40	5	5000

Photo Coupler | Relay(Solid State Relay) | 6Pin DIP



UNIT : mm



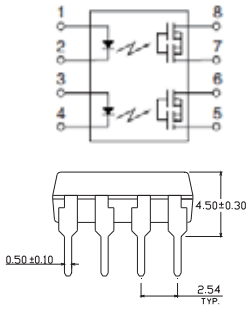
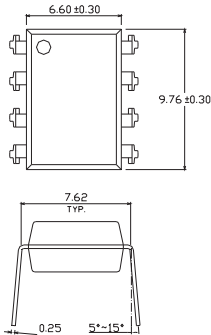
- 1. LED Anode
- 2. LED Cathode
- 3. No Connection
- 4.6 MOSFET Drain
- 5. MOSFET Source

Product	Size (LxWxHmm)	Output type	Load Voltage (V)	Load Current (mA)	Ron Typ.(Ω)	I _{fon} max. (mA)	Viso (Vrms)
EL606A	7.12x6.5x3.5	Normally Open 1a	60	550	0.75	3	5000
EL625A	7.12x6.5x3.5	Normally Open 1a	250	180	6.5	3	5000
EL640A	7.12x6.5x3.5	Normally Open 1a	400	120	20	3	5000
EL660A	7.12x6.5x3.5	Normally Open 1a	600	50	40	3	5000

Photo Coupler | Relay(Solid State Relay) | 8Pin DIP



UNIT : mm



1, 3 LED Anode
2, 4 LED Cathode
8, 7, 6, 5 MOSFET

Product	Size (LxWxHmm)	Output type	Load Voltage (V)	Load Current (mA)	Ron Typ.(Ω)	Ifon max. (mA)	Viso (Vrms)
EL840A	9.76 x 6.5 x 3.5	Normally Open 2 Form A	400	120	20	5	5000
EL860A	9.76 x 6.5 x 3.5	Normally Open 2 Form A	600	50	40	5	5000

Notice

The content of this Catalogue is provided for informational purposes only. EVERLIGHT makes no representations about the accuracy, reliability, completeness of the information in this catalogue. EVERLIGHT may, at its sole discretion, revise the specifications, appearance, structures and materials herein without notice for the purpose of improvement. Please contact EVERLIGHT sales should you require more information on a product or its application.

This Catalogue does not contain any guarantee or agreed quality of EVERLIGHT's products or any warranty of merchantability, intellectual property, and fitness for a particular purpose. EVERLIGHT's obligation and responsibilities regarding its products are governed solely by the agreements under which they are sold. Unless otherwise agreed in writing, the information contained herein does not become part of the agreements.

The trademarks and logos ("Trademarks") displayed in this Catalogue are the property of EVERLIGHT and/or its affiliates. Nothing in this Catalogue should be construed as granting any licenses or right to the Trademarks. Without the express written consent of EVERLIGHT, the use of the Trademarks is prohibited.

All text, images, graphics and other materials contained in this Catalogue are subject to the copyright and other intellectual property rights of EVERLIGHT and/or its affiliates.

Structure and materials incorporated in LED packages may change according to customer's requests. Any LED package incorporating β -SiAlON phosphor are licensed by NIMS on the following Patents, Patent Publications and Patent Applications: Patent No. 3975451 (Japan), Patent No. 7,678,294 (US), Patent No. I-299055 (Taiwan), Patent No. ZL200580000742.3 (China), Patent Application No. 12/096,601 (US), Patent Application No. 2007-549180 (Japan), Patent Publication No. DE112005000044T5 (Germany), Patent Publication No.10-2007-0021140 (Korea), and Patent Publication No. EP1964905 (Europe).

ASIA

CHINA

CHINA, HONG KONG

EVERLIGHT ELECTRONICS CO., LTD.
Units 1606-1610, 16/F., Prosperity Place,
6 Shing Yip Street, Kwun Tong, Kowloon,
Hong Kong
TEL: +852-23880602
FAX: +852-23881127, 23843092

CHINA, SHENZHEN

EVERLIGHT ELECTRONICS CO., LTD.
Room 305A, 306, The third floor of The
Second building in Zone A ,Internet Industry ,
Baoyuan Road ,Bao'an District, Shenzhen,
Guangdong, China
Postcode: 518010
TEL: +86-0755-2163-8863
FAX: +86-0755-2163-8620

CHINA, GUANGZHOU

EVERLIGHT ELECTRONICS CO., LTD.
1501 15 F1.,No.266 Xi Huan Road,
Sha Tou Street, Panyu District,
Guangzhou, China
Postcode: 511400
TEL: +86-(0)20-84663392
FAX: +86-(0)20-84663372

CHINA, XIAMEN

EVERLIGHT ELECTRONICS CO., LTD
Room6A25, Xiamen Huli District
An Ling Lake Road Huijin Building
Xiamen,Fujian , China
Postcode: 361000
TEL: +86- 4006-258-289

CHINA, CHONGQING

EVERLIGHT ELECTRONICS CO., LTD
Room 21-3, Building A1, Bin Xin City ,
Yangjiaping Century ,Jiulongpo District,
Chongqing , China
Postcode: 400050
TEL: +86- 4006-258-289

CHINA, SUZHOU

EVERLIGHT ELECTRONICS CO., LTD.
Room 306-308, Block 1, Runjie Square, No. 9,
Road Dengwei, Suzhou (SND), Jiang Su, China
Postcode: 215011
TEL: +86-(0)512-68020883

CHINA, QINGDAO

EVERLIGHT ELECTRONICS CO., LTD.
Room 317 (Building Dingdu), No. 133, Rd.
Fuzhou-North, District Shibei, Qingdao,
Shandong, China
TEL: +86-532-8091-6675
FAX: +86-532-8079-7372

CHINA, TIANJIN

EVERLIGHT ELECTRONICS CO., LTD
No. Room 810,Technology Finance Building,No 32.
AnShan Road,HePing District,TianJin,China
Postcode: 300020
TEL: +86-22-26351122, 26351133

CHINA, BEIJING

EVERLIGHT ELECTRONICS CO., LTD
Room 201, Unit 2, Building 13,
Jiugong Jiahe Garden, Daxing District,
Beijing , China
Postcode: 102600
TEL: +86- 4006-258-289

全国免费电话 : 400-6258-289

邮箱 : china@everlight.com

HEADQUARTERS

No. 6-8, Zhonghua Rd., Shulin Dist., New Taipei City, Taiwan 23860
TEL: +886-2-2685-6688 FAX: +886-2-2685-6699

www.everlight.com

AMERICA

TEXAS USA

EVERLIGHT AMERICAS INC.
3220 Commander Drive, Suite 100
Carrollton,Texas, 75006, United States
TEL: +1-972-490-4008
FAX: +1-972-490-5009
EMAIL: salesmarketing@everlightamericas.com

CALIFORNIA USA

EVERLIGHT AMERICAS INC.
3280 E Gausti Road, Suite 200 Ontario,
California 91761, United States
TEL: +1-909-937-6070
FAX: +1-909-937-7619
EMAIL: salesmarketing@everlightamericas.com

EUROPE

GERMANY, HQ

EVERLIGHT ELECTRONICS EUROPE GMBH
Siemensallee 84, Building 7302, 5F
76187 Karlsruhe, Germany
TEL: +49-721-82447-3
FAX: +49-721-82447-40
EMAIL: Info@everlight-eu.de

GERMANY, MUNICH

EVERLIGHT ELECTRONICS EUROPE GMBH
Rote-Kreuz-Strasse 8, D-85737 Ismaning, Germany
TEL: +49-89-9400336-0
FAX: +49-89-9400336-29
EMAIL: info@everlight-eu.de

KOREA

EVERLIGHT OPTOELECTRONICS
KOREA CO., LTD.
9F S23 Garden 5 Tool 292 Munjung-dong ,
Songpa-gu, Seoul , KOREA .
TEL: +82-2-2047-6690
FAX: +82-2-2047-6691
EMAIL: terrychoi@everlight.com

JAPAN, TOKYO

EVERLIGHT JAPAN CORPORATION
4F MITA SUN BLDG., 1-3-35 MITA,
MINATO-KU, TOKYO, 108-0073, JAPAN
TEL: +81-3-5439-9296
FAX: +81-3-5439-9288
EMAIL: elj@everlight.com

JAPAN, KYOTO

EVERLIGHT JAPAN CORPORATION
7F, MITSUISEIMEI KYOTO YAMASHINA BLDG.
46-1, TAKEHANADOUNOMAECCHOU,
YAMASHINA KU, KYOTO, 607-8085, JAPAN
TEL: +81-75-584-6070
FAX: +81-75-584-6080
EMAIL: everlightjapan@everlight.com

INDIA, BANGALORE

EVERLIGHT ELECTRONICS INDIA PVT LTD
Suit No. 3, 2nd Floor
Alpha Block. Sigma Soft Tech Park.
Varthur Kodi. Whitefield Main Road.
Bangalore: 560066
TEL: +91-080-41633111, +91-080-41623111
FAX: +91-080-41622111
EMAIL: salesindia@everlight.com

INDIA, DELHI

EVERLIGHT ELECTRONICS INDIA PRIVATE LTD.
Regus Green Boulevard
Level-5, Tower C, 3C Green Boulevard, Block B,
Sec-62, Noida:201301
TEL: +91-120-6608019
MOBEL: +91-981-1831442
EMAIL: anuj@everlight.com

MALAYSIA

EVERLIGHT OPTOELECTRONICS(M) SDN BHD
B-04-20 Krystal Point,
303 Jalan Sultan Azlan Shah,
11900 Penang, Malaysia
TEL: +60-4-646-4233
FAX: +60-4-646-5233
EMAIL: inquiry@everlight-pg.com.my

SINGAPORE

EVERLIGHT ELECTRONICS SINGAPORE PTE LTD
50 Tagore Lane , #04-11D,
Entrepreneur Centre, Singapore 787494.
TEL: +65-6511-2965
FAX: +65-6338-5486
EMAIL: contact@everlight.com.sg