



CATALOGUE 2017-2018
OPTOELECTRONIC COMPONENTS

www.everlight.com

EVERLIGHT

EVERLIGHT

THE SOURCE OF LIGHT

EVERLIGHT Electronics Co., Ltd. was founded in 1983 in Taipei, Taiwan led by Chairman Robert Yeh, EVERLIGHT Electronics Co. have over 33 years of R&D experience for reliable capability. With immediate service and an excellent brand reputation, EVERLIGHT has taken top five in the competitive LED market. Our products are manufactured and packed in-house to guarantee maximum quality and service.

EVERLIGHT provides a diverse product portfolio consisting of High Power LEDs, SMD LEDs, Lamps, Lighting Components, LED Lighting Modules, Digital Displays, Opto-couplers and Infrared Components for various applications. Today, EVERLIGHT is a global company with over 6,400 employees based in China, Hong Kong, Japan, Korea, Singapore, Malaysia, India, Germany and U.S.A.

For more information, please visit our website :

www.everlight.com

CONTENTS

Alphanumeric Index	04
Conditions of RoHS	15
Application Notice	16
Technical Data	17

Visible LED

High Power LED			48
Driver on Board			51
Chip on Board			53
Low Middle Power LED			66
UV			77
Flash LED	High Power Flash LED	2016 Package	82
		1610 Package	85
		ELDA Series	86
		CSP Series	86
		Module Type	87
SMD LED	Subminiature LED Lamps(Leadframe)		88
	Surface Mount Chip LED (PCB)	Top View LED	90
		Top View 0402 (0.2T~0.5T)	91
		Top View 0603 (0.2T~0.8T)	92
		Top View 0805	97
		Top View 1206	99
		Top View Mono Color	100
		Top View Bi-Color	101
		Top View Full Color	104
		Side View (0.2T~1.0T)	106
		Side View Bi-Color	109
		Side View Full Color	110
		Reverse Mount	111
		Reverse Mount Bi-color	113
	Surface Mount PLCC LEDs (Reflector)	Top View LED	114
		Top View Bi-Color	115
		Top View PLCC2	116
		Top View PLCC3	117
		Side View LED	118
LED Lamps	2mm Tower Type		119
	3mm Round Type		119
	5mm Round Type		124
	3mm Cylindrical		128
	5mm Cylindrical		128
	5mm Square		128
	Rectangular		129
LED Digital Displays	Chip On Board Display	Single Digit Display	131
		Dual Digit Display	132
		Three Digit Display	135
		Four Digit Display	137
	SMD Display	Single Digit Display	138
		Dual Digit Display	140
		Three Digit Display	141
		Four Digit Display	143
	Dot Matrix Display		144
	Light Bar Display		144
Signage LED	Surface Mount Chip LED (PCB)		145
	Surface Mount PLCC LED (Reflector)		148
	Lamp Type LED	3mm Oval Type	150
		5mm Oval Type	151
		5mm Round Type	152
Automotive LED	Exterior Application	High Power LED	153
		Mid Power LED	155
		Low Power LED	156
	Interior Application	Low Power LED	159
Backlighting LED	TV/Monitor		164
	Portable		169

Infrared LED, Sensors, Couplers

Infrared LED and Silicon Detector	Emitter	Lamp 3mm	174	
		Lamp 5mm	175	
		Piranha	179	
	Photo Diode	Side Look	180	
		SMD	181	
		High Power	190	
		DIP	191	
		Side Look	192	
		SMD	193	
	Photo Transistor	DIP	198	
Side Look		200		
SMD		202		
Infrared Receiver Module	DIP	Vout-GND-Vcc	207	
		Vout-Vcc-GND	210	
	SMD	Side-View	211	
		Top-View	213	
	Standard Burst	SMD	216	
Optic-Fiber Device (Photo Link)	Receiver (PLR) Component		217	
	Receiver (PLR) Module		219	
	Transmitter (PLT) Component		222	
	Transmitter (PLT) Module		224	
Optical Sensors	Ambient Light Sensor	Analog	226	
	Proximity Sensor	Digital	231	
	RGB Color Sensor	Single Color Sensor (Analog)	232	
	Reflective Sensor		233	
	Transmissive Sensor		237	
Photo Coupler	Darlington Transistor	4Pin DIP-DC	243	
		4Pin SOP-DC	243	
		6Pin DIP-DC	244	
		8Pin DIP-DC	244	
		High Speed	5Pin SOP-DC	245
			8Pin SOP-DC	246
			8Pin DIP-DC	247
			8Pin Wide Body DIP-DC	249
		High Speed Low Input Current	8Pin SOP-DC	250
		Schmitt Trigger	6Pin DIP-DC	250
	Transistor	4Pin DIP-AC	251	
		4Pin DIP-DC	251	
		4Pin SOP-AC	252	
		4Pin SOP-DC	252	
		4Pin SSOP-AC	253	
		4Pin SSOP-DC	253	
		4Pin LSOP-DC	254	
		5Pin LSOP-DC	254	
		6Pin DIP-DC	255	
		6Pin DIP-AC	256	
	Triac	8Pin DIP-DC	256	
		8Pin SOP-DC	256	
		8Pin SSOP-DC	257	
		16Pin DIP-DC	258	
		16Pin SSOP-AC	258	
		16Pin SSOP-DC	258	
		Transistor Low Input Current	4Pin DIP-DC	259
			4Pin LSOP-DC	259
		Transistor High Isolation	4Pin DIP-DC	260
			4Pin SOP-DC	261
Photo Power Triac	4Pin DIP-DC	262		
	5Pin DIP-DC	263		
	6Pin DIP-DC	264		
	7Pin DIP-DC	265		
Solid State Relay	4Pin DIP-DC	265		
	6Pin DIP-DC	266		
	8Pin DIP-DC	266		

ALPHANUMERIC INDEX

VISIBLE LED

1003SUBD/S400-A6	130	15-21/GHC-YR1S1/2T	99	17-215/S2C-CP2R1B/3T	98
1003SUGD/S400-A4	130	15-21/R6C-AN1P2/2T	99	17-215-G6C-F5M1N2B0E-3T-AM	163
1003SURD/S530-A3	130	15-21/R6C-FQ1R1B/2T	99	17-215-R6C-AOQ2R2B0E-3T-AM	163
1003SYGD/S530-E2	130	15-21/S2C-AL2M2VY/2T	99	17-215-S3C-5UQ2R2B0E-3T-AM	163
103SURD/S530-A3	119	15-21/S2C-AQ2R2B/2T	99	17-215-Y2C-P9Q2S1B0E-3T-AM	163
103SYGD/S530-E2	119	15-21/S3C-AP1Q2/2T	99	17-223/BHR7C-C30/3C	109
103UYD/S530-A3	119	15-21/T1D-CP1Q2TY/2T	99	18-032ABD/BDGAR6SY-S01/10T	147
12-11/BHC-ZL1M2QY/2C	106	15-21/T7D-JQ2S1PY/2T	99	18-035BD/BDR6GASY-S01/10T	146
12-21/BHC-AN1P2/2C	106	15-21/Y2C-AN1P2/2T	99	18-036BD/BDR6GASY-S01/10T	145
12-21/BHC-ZL1M2RY/2C	106	15-21/Y2C-CP1Q2B/2T	99	18-038ABT/BDGAR6S1-L40/10T	147
12-21/GHC-YR2S2/2C	106	15-215/G7C-BN1P2B/2T	99	18-038BT/BDGAR6S1-L40/10T	145
12-21/R8C-AN1P2B/2D	106	15-215/R6C-AM2P1VY/2T	99	18-039AB/BDGAR6S1-R40/10T	147
12-21/T3D-AQ2S2M/2C	106	15-215/R6C-AP1Q1L/2T	99	18-039B/BDR6GAS1-R40/10T	145
12-215/BHC-AN1P2/3C	107	15-21-G6C-A0N1P2B0E-2T-AM	162	18-218/T1D-AN2Q1B3X/6T	100
12-215/BHC-XL1M2HY/3C	107	15-21-R6C-BQQ1R2B0E-2T8-AM	162	18-225/B6R6C-C01/3T	101
12-215/G6C-AL2M2B/3C	107	15-21-Y2SC-A0S1T1B25E-2T-AM	162	18-225/R6G6C-A01/3T	101
12-215/G6C-BP1Q2L/3C	107	15-22/R6G6C-A32/2T	101	18-225/S2G6C-A01/3T	101
12-215/R6C-AR1S1B/3C	107	15-22/R6GHC-A01/2T	101	18-225A/R6GHW-B01/3T	101
12-215/T1D-ANPHY/3C	107	1533SURD/S530-A3	130	19-049/GABDR6GAS1-R40/4T	146
12-215/Y2C-BR1S1L/3C	107	1533UYD/S530-A3	130	19-117/BHC-YJ2K2TX/3T	92
12-215/Y2C-CP1Q2B/3C	107	16-213/BHC-AN1P2/3T	91	19-117/BHC-ZL1M2RY/3T	92
12-215/Y2C-CQ1R1B/3C	107	16-213/BHC-ZL1M2QY/3T	91	19-117/T1D-AP2Q2QY/3T	92
12-21C/BHC-AN1P2/2C	106	16-213/GHC-YR1S1/3T	91	19-118/BHC-ZL1M2QY/3T	92
12-21C/BHC-YL1M2HY/2C	106	16-213/R6C-A2225VZ/3T	91	19-123/Y2ST1D-C30/2T	102
12-21C/T3D-CP1Q2B12Y/2C	106	16-213/T3D-AP1Q2QY/3T	91	19-137/R6GHBHC-A01/2T	104
12-22/BHR6C-A01/2C	109	16-213/T7D-AQ1R1QY/3T	91	19-21/B6C-AP2Q2M/3T	93
12-22/G6R8C-A30/2C	109	16-216/T3D-AQ1R2TY/3T	91	19-21/BHC-AP1Q2/3T	93
12-22/R6GHC-A30/2C	109	16-219A/T2D-AR2T1QY/3T	91	19-21/BHC-YL1M1RY/3T	93
12-22/Y2G6C-A30/2C	109	16-916/T1D-AP1Q2QY/3T	107	19-21/BHC-ZQ1R2N/3T	93
12-23C/R6GHBHC-A01/2C	110	17-11/BHC-AN1P2/3T	97	19-21/G6C-AL1M2LY/3T	93
12-23C/S2GHBHC-A01/2C	110	17-21/BHC-AN1P2/3T	97	19-21/G6C-FM1N2B/3T	93
1224SDRC/S530-A4	121	17-21/BHC-AP1Q2/3T	97	19-21/G6C-FP1Q1L/3T	93
1224SUGC/S400-A5	121	17-21/BHC-XLMJY/3T	97	19-21/GHC-YN1P2QY/3T	93
1224SURC/S530-A3	121	17-21/G6C-AN1P1B/3T	97	19-21/GPC-FL1M2B/3T	93
1224SYGC/S530-E2	121	17-21/G6C-AP1Q1B/3T	97	19-21/R6C-AL2N1VY/3T	93
1224USOC/S530-A3	121	17-21/G6C-FM1N2B/3T	97	19-21/R6C-FP1Q2L/3T	93
1224UTC/S400-A6	121	17-21/G6C-FN1P2B/3T	97	19-21/R7C-AK1L2BY/3T	93
1224UYC/S530-A3	121	17-21/G6C-FP1Q1B/3T	97	19-21/R7C-AN2Q1B/3T	93
1254-10SDRT/S530-A3	122	17-21/GHC-XS1T2M/3T	97	19-21/R8C-FN2Q1L/3T	93
1254-10SURT/S530-A3	122	17-21/GHC-YR1S2/3T	97	19-21/S2C-AL2M2VY/3T	93
1254-10SYGT/S530-E2	122	17-21/GPC-AK0M1B/3T	97	19-21/S2C-AQ1R2B/3T	93
1254-10UYD/S530-A3	122	17-21/GVC-AMPB/3T	97	19-21/T1D-ANPHY/3T	93
1254-10UYOT/S530-A3	122	17-21/R6C-AN2Q1B/3T	97	19-21/T1D-CPQTY/3T	93
1259-7SDRSYGW/S530-A3	122	17-21/R6C-AP1Q2L/3T	97	19-21/Y2C-AL1M2VY/3T	93
1259-7SUSYGW/S530-A3	122	17-21/R7C-AN2Q1B/3T	97	19-21/Y2C-CP1Q2B/3T	93
1259-7UYSYGW/S530-A3	122	17-21/S2C-AN1P2B/3T	97	19-213/Y2C-CQ1R2/3T	95
1383-2SDRD/S530-A3	126	17-21/S2C-AP1Q2B/3T	97	19-213/B7C-AQ2S1B2/3T	95
1383-2SURD/S530-A3	126	17-21/T1D-ANPHY/3T	97	19-213/BHC-AN1P2/3T	95
1383SYGD/S530-E2	126	17-21/T1D-CP2R1TY/3T	97	19-213/G6C-AP1Q2/3T	95
1383UYD/S530-A3	126	17-21/T1D-KN2P2HY/3T	97	19-213/G6C-BM1N2B/3T	95
15-11/BHC-AN1P2/2T	98	17-21/Y2C-AN1P2/3T	97	19-213/G6C-FN2Q1L/3T	95
15-11/BHC-ZL2N1QY/2T	98	17-21/Y2C-CN1P2B/3T	97	19-213/G6W-FN1P1B/3T	95
15-13D/R6GHBHC-A01/2T	104	17-21/Y2C-CP2Q2B/3T	97	19-213/GHC-XS1T1N/3T	95
15-21/B6C-YR1S2B2/2T	99	17-215/B6C-YP2R2/3T	98	19-213/GHC-YP1Q2QY/3T	95
15-21/B6C-ZQ1R1N/2T	99	17-215/BHC-AN1P2/3T	98	19-213/GHC-YR1S2/3T	95
15-21/BHC-AN1P2/2T	99	17-215/BHC-BP2Q2M/3T	98	19-213/R6C-AM2P1VY/3T	95
15-21/G6C-BK1L2VY/2T	99	17-215/G6C-BM1N2L/3T	98	19-213/R6C-AN1P2/3T	95
15-21/G6C-FM1N2B/2T	99	17-215/G6C-FN2P2B/3T	98	19-213/R6C-AN2Q1B/3T	95
15-21/G6C-FP1Q1L/2T	99	17-215/R6C-AQ1R2B/3T	98	19-213/R6C-AP1Q2B/3T	95
15-21/GHC-R2S2/2T	99	17-215/S2C-AQ1R2B/3T	98	19-213/R6C-AQ1R2B/3T	95

19-213/R8C-FN1P2/3T	95	204-10UYD/S530-A3	119	333/G1C1-AWYA/MS	152
19-213/S2C-AN1P2B/3T	95	204-10UYOC/S530-A3	119	333/R7C1-AUWB/P/MS	152
19-213/S3C-AN2P2B/3T	95	209SDRSYGW/S530-A3	120	333/Y7C1-ATWB/P/MS	152
19-213/T1D-ANPHY/3T	95	209SURSYPGW/S530-A3	120	333-2SDRC/S530-A4	125
19-213/Y2C-AP1Q2B/3T	95	22-21/BHC-AN1P2/2C	108	333-2SUBC/C470/S400-A6	125
19-213/Y2C-CN1P2/3T	95	22-21/GHC-YR1S2/2C	108	333-2SUGC/S400-A5	125
19-213/Y2C-CP1Q2L/3T	95	22-23/R6GHBHC-A01/2C	110	333-2SURC/S400-A8	125
19-213/Y2C-CQ2R2L/3T	95	22-23C/R6GHBHW-A01/2C	146	333-2SYGC/S530-E2	125
19-213A/T1D-CP2Q2HY/3T	94	22-23C/R6GHBHW-C01/2C	110	333-2UYC/S400-A4	125
19-213-G6SC-MOP1Q1B0E-3T-AM	163	23-21/G6C-AL2N1/2T	111	333-2UYC/S530-A3	125
19-213-R6C-A0R2S2B0E-3T-AM	163	23-21/GHC-YR2T1/2A	111	333-2UYOC/S530-A3-L	125
19-213-S3SC-B0S1T1B0E-3T-AM	163	23-21/R6C-AM1N2AY/2A	111	334-15/F1C1-1XZA	125
19-213-Y2SC-9AS1T1B0E-3T-AM	163	23-21/R8C-AN2Q1B/2T	111	334-15/F1C2-7VXA	125
19-217/B9C-ANQE/3T	94	23-215A/BHC-DN2P2E/5A	112	334-15/F1C5-1RTA	125
19-217/BHC-AN1P2/3T	94	23-21B/BHC-AN1P2/2A	111	334-15/T1C1-4WYA	125
19-217/BHC-XK1L2B11X/3T	94	23-21B/BHC-ZM1N2TY/2A	111	334-15/T1C3-2TVA	125
19-217/BHC-YL2M2TY/3T	94	23-21B/G6C-AM2P1/2A	111	334-15/T1C5-7QSA	125
19-217/G7C-AL1M2B/3T	94	23-21B/S2C-AP1Q2B/2A	111	334-15/T2C2-1TWB	125
19-217/GHC-YR1S2/3T	94	23-21B/T1D-ANQHY/2A	111	334-15/T2C3-2TVC	125
19-217/R6C-P1Q2/3T	94	23-21B/T1D-CP2Q2TY/2A	111	334-15/T2C5-1QSB	125
19-217/S2C-AL1M2VY/3T	94	23-21B/W1D-ANQHY/2A	111	334-15/X1C2-1UWA	125
19-217/S3C-AL2N1VY/3T	94	23-21C/T1D-CP2Q2TY/2A	111	334-15/X1C5-1QSA	125
19-217/T1D-ANPHY/3T	94	23-22B/R7G6C-A30/2T	113	334-15/X2C1-1WYB	125
19-217/T1D-JP1Q2QY/3T	94	23-22B/S2BHC-C30/2A	113	334-15/X2C3-1TVA	125
19-217/Y5C-AM1N1VY/3T	94	23-22C/S2BHC-B30/2A	113	334-15/X2C5-1PSB	125
19-217/Y5C-APQB/3T	94	23-23B/R6GHBHC-A01/2A	113	336SURSYPGW/S530-A3	124
19-217/Y5C-AQ2R2/3T	94	24-21/BHC-AN1P2/2A	112	336SYGSYGD/S530-E2	124
19-218/BHC-ZL1M2QY/3T	96	24-21/GHC-YR2T1/2A	112	336UYSYGW/S530-A3	124
19-218/GHC-YR1S2M/3T	96	264-7SDRC/S530-A3	120	339-1SURSYPGW/S530-A3	126
19-218/R6C-AL1M2VY/3T	96	264-7SUBC/S400-X9	120	339-1UYSYGW/S530-A3	126
19-218/R6C-FM2P1B7Y/3T	96	264-7SUGC/S400-A5	120	339-1UYUBW/S530-A4	126
19-218/T1D-CQ2R2TY/3T	96	264-7SURC/S400-A8	120	3474BABR	150
19-219/T3D-AQ2R2TY/3T	96	264-7SYGC/S530-E3	120	3474BAGR	150
19-219/T7D-AV1W1E/3T	96	264-7UYC/S400-A9	120	3474BARR	150
19-219/Y5C-AM1N2VY/3T	96	264-7UYOC/S530-A3	120	3805AUM2C/TR8-T	170
19-22/G6R6C-A31/2T	102	27-21/BHC-AN1P2/3C	108	383-2SDRC/S530-A3	126
19-22/R6BHC-B01/2T	102	27-21/BHC-AP1Q2/3C	108	383-2SUBC/C470/S400-A6	126
19-22/R6G6C-A01/2T	102	27-21/GHC-YR1S2M/3C	108	383-2SUGC/S400-A4	126
19-22/R6GHC-C02/2T	102	27-21/R6C-AP1Q2B/3C	108	383-2SURC/S530-A3	126
19-22/Y2G6C-A14/2T	102	27-21/T1D-ANPHY/3C	108	383-2SYGC/S530-E2	126
19-223/G6S2C-A01/2T	103	27-21/T1D-CQ1R2NW/3C	108	383-2USOC/S530-A6	126
19-223/R6BHC-A05/2T	103	27-21/T3D-AP2Q2HY/3C	108	383-2UYC/S530-A3	126
19-223/R6G6C-A01/2T	103	27-21/Y2C-CPQB/3D	108	414-10SURD/S530-A3	128
19-223/R7BHC-A30/2T	103	28-21SDRC/S530-A3/TR8	88	414-10UYD/S530-A3	128
19-223/R7G6C-A01/2T	103	28-21SURC/S530-A2/TR8	88	4204-10SURC/S530-A3	123
19-223/S2BHC-A01/2T	103	28-21UYC/S530-A3/TR8	88	4204-10SYGC/S530-E4	123
19-223/S2T1D-C30/2T	103	3003UM2C/TR8-T	171	42-21/BHC-AUW/1T	90
19-223/Y2G6C-A01/2T	103	3004UM2C/TR8-T	171	42-21A/BHC-ZV1W2N/1T	90
19-226/R6BHC-B01/2T	103	3006UM2C/TR8-T	170	42-21A/GHC-YX1Y2N/1T	90
19-226/R6G7C-B02/2T	103	313-2SUBC/C470/S400-A4	124	423-2SUBC/S400-X9	128
19-226/R6GHC-A03/2T	103	313-2SYGC/S530-E2	124	423-2SURC/S530-A3	128
19-237/R6GHBHC-A04/2T	104	313-2UYD/S530-A3	124	423-2UYC/S530-A6	128
19-237A/BHR6GHCA01/2T	105	323-2SDRD/S530-A3	124	423-2UYOC/S530-A6	128
19-237B/R6GHBHCC01/2T	105	323-2SURD/S530-A3	124	48-213/BHC-ZM2P1QY/3C	108
19-337/R6GHBHC-A01/2T	105	323-2SYGD/S530-E2	124	48-213/R6C-AM1N2VY/3C	108
204-10SDRD/S530-A3	119	3294-15SUBC/S400-A6	123	48-213/T2D-AQ2R2QY/3C	108
204-10SUBC/S400-A4	119	3294-15SUGC/S400-A6	123	48-213/T3D-AP1Q2TY/3C	108
204-10SUGC/S400-A5	119	3294-15SURC/S400-A7	123	48-213/T7D-AQ1R2QY/3C	108
204-10SURD/S530-A3	119	3294-15UBGC/S400-A6	123	484-10SURT/S530-A3	121
204-10SYGD/S530-E3	119	333/B1C1-ARUA/MS	152	484-10SYGT/S530-E2	121

ALPHANUMERIC INDEX

VISIBLE LED

484-10UYOC/S530-A3	121	63-119-T1D-AN2Q1TY-3T	100	67-21S/HK3C-H5757M31N42936Z6/2T	68
484-10UYT/S530-A3	121	6324-15SUBC/S400-X10	127	67-21S/HK3C-H6565M31N42936Z6/2T	68
494-10SURT/S530-A3	121	6324-15SUGC/S400-A5	127	67-21S/HK4C-H2727QA1R32834Z15/2T	69
494-10SYGT/S530-E2	121	6324-15SURC/S400-A9	127	67-21S/HK4C-H3030R1R42834Z15/2T	69
50-315Z-C80600L-C3Q6A6C42735-2T-AM	158	6364/BADA-AHKA/P/MS	151	67-21S/HK4C-H4040R1R42834Z15/2T	69
50-515UMRFC/1620M468C/TR8-T	165	6364/BADA-AKMA/P/MS	151	67-21S/HK4C-H5050R2R52834Z15/2T	69
50-615PHFC/7175M46S8C/TR8-T	164	6364/GADA-ANQA/P/MS	151	67-21S/HK4C-H5757R2R52834Z15/2T	69
513SURD/S530-A3	129	6364/GADA-AQSA/P/MS	151	67-21S/HK4C-H6565R2R52834Z15/2T	69
513SYGD/S530-E2	129	6374/R7DA-AJKB/P/MS	151	67-21S/KK4C-M2727V7X72532U6/2T	68
513UYD/S530-A3	129	6374/R7DA-AKMB/P/MS	151	67-21S/KK4C-M3030V8X82532U6/2T	68
519-1SURSYGW/S530-A3	129	6374/Y7DA-AJKB/P/MS	151	67-21S/KK4C-M4040V9X92532U6/2T	68
523-2SDRD/S530-A3	129	6374/Y7DA-ALNB/P/MS	151	67-21S/KK4C-M5050X0Y02532U6/2T	68
523-2SUGD/S400-A6	129	65-11/BHC-AR1S2B2/2T	116	67-21S/KK4C-M5757X0Y02532U6/2T	68
523-2SURD/S530-A3	129	65-11/T2C-FV1W2E/2T	116	67-21S/KK4C-M6565V9X92532U6/2T	68
523-2UYD/S530-A3	129	65-11-C70200H-PMOFK0ABCA2737-2T-AM	161	67-21S/KK5C-H2727M42N42833Z6/2T	68
523SYGD/S530-E2	129	65-11-IB0100L-CM5CAOS2U22737-2T-AM	161	67-21S/KK5C-H2727R2R52834Z15/2T	69
5484BN/BADC-AFHA/P/MS	151	65-11-SB0100L-JA16JA5S2U12737-2T-AM	161	67-21S/KK5C-H3030N3N4B2833Z6/2T	68
5484BN/BADC-AGJA/P/MS	151	65-11-UB0200L-6375S2U12737-2T-AM	161	67-21S/KK5C-H3030R3R62834Z15/2T	69
5484BN/GADC-ALMA/P/MS	151	65-11-UG0200H-2035V1AA2737-2T-AM	161	67-21S/KK5C-H3535N3N4B2833Z6/2T	68
5484BN/GADC-AMNA/P/MS	151	65-21/G6C-AN2Q1/3T	116	67-21S/KK5C-H4040N31P02833Z6/2T	68
5484BN/R7DC-AGJB/P/MS	151	65-21/Y2C-GJ2L2X/3T	116	67-21S/KK5C-H4040R3R62834Z15/2T	69
5484BN/R7DC-AHJB/P/MS	151	65-21/Y2SC-AR1S2B/2T	116	67-21S/KK5C-H5050N3P02833Z6/2T	68
57-11UTC/S827-1/TR8	118	65-21/Y2SC-FR2S1B/2T	116	67-21S/KK5C-H5050R4R72834Z15/2T	69
57-21/R6C-AP1Q2B/BF	118	65-21-UR0200H-1827V1AA1727-2T-AM	161	67-21S/KK5C-H5757R3P02833Z6/2T	68
57-21SYGC/S530-E3/TR8	118	65-21-UY0200H-8594V1AA1727-2T-AM	161	67-21S/KK5C-H5757R4R72834Z15/2T	69
583SURD/S530-A3	128	67-01/Y2W-MV1W1/2T/MS	148	67-21S/KK5C-H6060N3P02833Z6/2T	68
583SYGD/S530-E2	128	67-03A/R6GHBHW-A01/2T/MS	148	67-21S/KK5C-H6565N3P02833Z6/2T	68
583UYD/S530-A3	128	67-11/BHC-FQ2S1F/2T	116	67-21S/KK5C-H6565R4R72834Z15/2T	69
594SURD/S530-A3	130	67-11/W1C-ES1T2N/2T	116	67-21S/KK6C-H2272R3R62834Z15/2T	69
594SYGD/S530-E2	130	67-11/W1C-FV1W2F/2T	116	67-21S/KK6C-H3030R4R72834Z15/2T	69
594UYD/S530-A3	130	67-11-C70200H-PMOFK0ABCA2737-2T-AM	160	67-21S/KK6C-H4040R4R72834Z15/2T	69
62-112UHFC/2227J4E3H9C/TR8-T	166	67-11-C70201H-PMOFK0ABCA2737-2T-AM	157	67-21S/KK6C-H5050R5R82834Z15/2T	69
62-113PUN2C/F90115ZN57DH-T	167	67-11-IB0100L-CM5CAOS2U22737-2T-AM	160	67-21S/KK6C-H5757R5R82834Z15/2T	69
62-117B-C81000L-48A68DB7E02735-2T-AM	159	67-11-SB0100L-JA16JA5S2U12737-2T-AM	160	67-21S/KK6C-H6565R5R82834Z15/2T	69
62-117B-N81000L-38A46DB7E02735-2T-AM	159	67-11S-C80600L-48A68DA2C02735-2T-AM	160	67-21S/NDR2C-P5080B2C12029Z6/2T	75
62-117B-W81000L-25A36DB7E02735-2T-AM	159	67-11S-N80600L-38A46DA2C02735-2T-AM	160	67-21S/NFR2C-P2050A3B21522Z6/2T	75
62-117D-C80650H-48A68DB4C52535-2T-AM	159	67-11S-W80600L-25A36DA2C02735-2T-AM	160	67-21S/R2C-D2030B8L31926Z6/2T	75
62-117D-N80650H-38A46DB4C52535-2T-AM	159	67-11-UB0200H-6375S2U12737-2T-AM	160	67-21S/Y2C-D8595B7L32128Z6/2T	75
62-117D-W80650H-25A36DB4C52535-2T-AM	159	67-11-UG0200H-2035V1AA2737-2T-AM	160	67-21S/YK2C-D1720L8M42833Z6/2T	75
62-122UMRIC/3338LM58P8C/TR8-T	166	67-21/B3C-BN1Q2N/2T	117	67-21-UR0200H-1827V1AA1727-2T-AM	160
62-123PAUN3W/F120135VM8PBD-T	167	67-21/B7C-AS2U1N/2T	117	67-21-UR0201H-1224V1AA1727-2T-AM	157
62-125UHBC/T7987ZM8AP9E/TR8-T	165	67-21/GBC-YY2W2N/2T	117	67-21-UY0200H-8594V1AA1727-2T-AM	160
62-129PUHFC/T94104N47S9C-T	164	67-21/GHC-AS2U1B17Z/2T	117	67-21-UY0200L-8294R2T21727-2T-AM	160
62-223PUNC/F125150ZM35SBE-T	168	67-21/GHC-BV1/2T	117	67-21-UY0201H-8594V1AA1727-2T-AM	157
62-227ET/KK7D-3M2727X2Y22530U6/2T	76	67-21/R6C-AP2R1B/2T	117	67-22/G3G3C-B45/2T	115
62-227ET/KK7D-3M3030X3Y32530U6/2T	76	67-21/R6C-FN2Q1BZ/2T	117	67-22/R6BHC-B07/2T	115
62-227ET/KK7D-3M3535X3Y32530U6/2T	76	67-21/R6C-FR2T1B/2T	117	67-22/R6G6C-B09/2T	115
62-227ET/KK7D-3M4040X5Y52530U6/2T	76	67-21/R6C-FS1U1B/2T	117	67-22/R6Y2C-B31/2T	115
62-227ET/KK7D-3M5050X6Y62530U6/2T	76	67-21/RSC-FT2V1B/2T	117	67-22S/B2C-D6075D4D73037Z6/2T	75
62-227ET/KK7D-3M5757X6Y62530U6/2T	76	67-21/S2C-FQ2R2B/2T	117	67-22S/G2C-D1525L4L82934Z6/2T	75
62-227ET/KK7D-3M6565X5Y52530U6/2T	76	67-21/S3C-AS1T1/2T	117	67-22ST/B2C-P3545D2D92936Z6/2T	75
62-227ET/KK8D-3M2727X4Y42530U6/2T	76	67-21/T2C-ZV1W2E/2T	117	67-22ST/HK4C-H2727R8S25868Z15/2T	72
62-227ET/KK8D-3M3030X5Y52530U6/2T	76	67-21/Y2C-BR2T1B/2T	117	67-22ST/HK4C-H3030R8BS35868Z15/2T	72
62-227ET/KK8D-3M3535X5Y52530U6/2T	76	67-21/YSC-FU1V2B/2T	117	67-22ST/HK4C-H4040S1S45868Z15/2T	72
62-227ET/KK8D-3M4040X8Y82530U6/2T	76	67-21S/B3C-D5060D5D72936Z6/2T	68	67-22ST/HK4C-H5050S1S45868Z15/2T	72
62-227ET/KK8D-3M4545X8Y82530U6/2T	76	67-21S/HK3C-H2727L8M42936Z6/2T	68	67-22ST/HK4C-H5757S1S45868Z15/2T	72
62-227ET/KK8D-3M5050X8Y82530U6/2T	76	67-21S/HK3C-H3535L9N32936Z6/2T	68	67-22ST/HK4C-H6565S1S45868Z15/2T	72
62-227ET/KK8D-3M5757X8Y82530U6/2T	76	67-21S/HK3C-H4040M3N42936Z6/2T	68	67-22ST/KK4C-H2727R5670Z8/2T	71
62-227ET/KK8D-3M6565X7Y72530U6/2T	76	67-21S/HK3C-H5050M3N42936Z6/2T	68	67-22ST/KK4C-H2727R4R7A9Z3/2T	71
63-119-BHD-ZM1N2TY-3T	100				

67-22ST/KK4C-H3030R3R65670Z8/2T	71
67-22ST/KK4C-H3030R5R8A7A9Z3/2T	71
67-22ST/KK4C-H3535R5R8A7A9Z3/2T	71
67-22ST/KK4C-H4040R3R65670Z8/2T	71
67-22ST/KK4C-H4040R5R8A7A9Z3/2T	71
67-22ST/KK4C-H5050R4R75670Z8/2T	71
67-22ST/KK4C-H5050R5BR8A7A9Z3/2T	71
67-22ST/KK4C-H5757R4R75670Z8/2T	71
67-22ST/KK4C-H5757R5BR8A7A9Z3/2T	71
67-22ST/KK4C-H6565R4R75670Z8/2T	71
67-22ST/KK4C-H6565R5R8A7A9Z3/2T	71
67-22ST/KK5C-H2727S3S75668Z15/2T	72
67-22ST/KK5C-H3030S3BS75668Z15/2T	72
67-22ST/KK5C-H3535S3BS75668Z15/2T	72
67-22ST/KK5C-H4040S3BS75668Z15/2T	72
67-22ST/KK5C-H5050S4S85668Z15/2T	72
67-22ST/KK5C-H6565S4S85668Z15/2T	72
67-22ST/KK6C-M2727X0Y02530U6/2T	70
67-22ST/KK6C-M3030X1Y12530U6/2T	70
67-22ST/KK6C-M3535X1Y12530U6/2T	70
67-22ST/KK6C-M4040X2Y22530U6/2T	70
67-22ST/KK6C-M5050X3Y32530U6/2T	70
67-22ST/KK6C-M5757X3Y32530U6/2T	70
67-22ST/KK6C-M6565X2Y22530U6/2T	70
67-22SURSYGC/ S530-A2/TR8	115
67-22UYSYGC/ S530-A5/TR8	115
67-23/R6GHBHC-B05/2T	114
67-235-BJRQGCC-A01E-2T8-CS	114
67-23SDRSYGUBC/TR8	114
67-23ST/KK3C-H2727S2S59099Z10/2T	73
67-23ST/KK3C-H3030S2BS59099Z10/2T	73
67-23ST/KK3C-H3535S2BS59099Z10/2T	73
67-23ST/KK3C-H4040S2BS59099Z10/2T	73
67-23ST/KK3C-H5050S3S69099Z10/2T	73
67-23ST/KK3C-H5757S3S69099Z10/2T	73
67-23ST/KK3C-H6565S3S69099Z10/2T	73
67-23ST/KK4C-H2727R5R88496Z6/2T	73
67-23ST/KK4C-H2727S2BS59099Z10/2T	73
67-23ST/KK4C-H3030R5BR88496Z6/2T	73
67-23ST/KK4C-H3030S3S69099Z10/2T	73
67-23ST/KK4C-H3535S3S69099Z10/2T	73
67-23ST/KK4C-H4040R6S18496Z6/2T	73
67-23ST/KK4C-H4040S3S69099Z10/2T	73
67-23ST/KK4C-H5050R6S18496Z6/2T	73
67-23ST/KK4C-H5050S3BS69099Z10/2T	73
67-23ST/KK4C-H5757R6S18496Z6/2T	73
67-23ST/KK4C-H5757S3BS69099Z10/2T	73
67-23ST/KK4C-H6060R6S18496Z6/2T	73
67-23ST/KK4C-H6565R6S18496Z6/2T	73
67-23ST/KK4C-H6565S3BS69099Z10/2T	73
67-24ST/KK4C-H27115130Z8/2T	74
67-24ST/KK4C-H30120130Z8/2T	74
67-24ST/KK4C-H35120130Z8/2T	74
67-24ST/KK4C-H40125130Z8/2T	74
67-24ST/KK4C-H50125130Z8/2T	74
67-24ST/KK4C-H57125130Z8/2T	74
67-24ST/KK4C-H65125130Z8/2T	74
67-31A/B7C-AT1U2M23/2T	117
67-31A/GHC-YV1W2E23/2T	117
67-31A/SAC-AW1X2B9Z5/2T	117

67-31-C70301H-53A64DBBCB2737-2T-AM	156
67-31E/RSC-AV1W2B9Z5/2T	118
67-31EP3-UR0500H-1224DBFB1727-BT-AM	158
67-31EP3-UY0500H-8294DBFB1727-BT-AM	158
67-31EP6-UR0500H-1224CBEB1727-BT-AM	157
67-31EP6-UY0500H-8294CAEA1727-BT-AM	157
67-31-UR0501H-1224BACA1727-2T-AM	156
67-31-UY0501H-8594ABBB1727-2T-AM	156
67-41-C70301H-53A64DBBCB2737-2T-AM	156
67-41-SR0501H-2436AAB1727-2T-AM	156
67-41-UR0501H-1224BACA1727-2T-AM	156
67-41-UY0501H-8594ABBB1727-2T-AM	156
67-63-RGB0201H-A00-2T-AM	162
7343/BAD5-AGJA/P/MS	152
7343/GAD5-ANQA/P/MS	152
7343/R7C2-AQSB/P/MS	152
7343/R7D5-AHKB/P/MS	152
7343/Y7C2-AQSB/P/MS	152
7343-2SURC/S530-A3	127
7343-2SURC/S530-A3	127
7343-2SYGC/S530-E2	127
7343-2USOC/S530-A3	127
7344/V7C2-ASVA/P/MS	152
7344-15SUBC/C470/S400-A6	127
7344-15SUGC/S400-A5	127
7344-15SUGC/S400-X6	127
7383/BAC3-ANQA/P/MS	152
7383/G1C3-ATVA/P/MS	152
7383/R7C3-AQSB/P/MS	152
7383/R7C3-ARUB/P/MS	152
7383/V7C3-ARTA/P/MS	152
7383/Y7C3-AQSB/P/MS	152
7383/Y7C3-ARUB/P/MS	152
91-21SUBC/S400-A6/TR7	88
91-21SUGC/S400-A4/TR7	88
91-21SURC/S530-A6/TR7	88
91-21SYGC/S530-E4/TR7	88
91-21USRC/S530-A4/TR7	88
95-21SDRC/S530-A3/TR10	89
95-21SUBC/S400-A5/TR10	89
95-21SUGC/S400-A4/TR7	89
95-21SYGC/S530-E2/TR7	89
95-21USRD/S357/TR7	89
95-21UYC/S530-A5/TR7	89
99-218GUM2C/TR8-T	170
99-235/RSGHB7S1-S01/2T	149
99-616LM2C/TR8-T	169
99-713LM2C/TR8-T	169
99-826LM2C/TR8-T	169
A09K-C71501H-53A64DEAFA2737-1T-AM	155
A09K-PA1501H-YAYDBEB2737-1T-AM	155
A09K-SR1501H-2439CADB1727-1T-AM	155
A09K-UR1501H-0921DAEA1727-1T-AM	155
A09K-UY1501H-8294CDBB1727-1T-AM	155
ALFS2A-C710001H1-64D53AL7M7-2T-AM	153
ALFS3A-C710001H1-64D53AN907-2T-AM	153
ALFS4A-C710001H1-64D53AP4P7-2T-AM	153
ALFS5A-C710001H1-64D53AQ2Q8-2T-AM	153
ALFSM2A-C710001H1-64D53AL7M7-1P-AM	153
ALFSM3A-C710001H1-64D53AN907-1P-AM	153

ALFSM4A-C710001H1-64D53AP4P7-1P-AM	153
ALFSM5A-C710001H1-64D53AQ2Q8-1P-AM	153
B1001SYGWA/S530-E2	144
B1001USOWA/S530-A4	144
B1010SURD/S530-A3	144
B1010SYGD/S530-E3	144
CH2016-C07001H-53A64DJ6K23037-2T-AM	154
CH2016-PA7001H-YAYBJ1J72941-2T-AM	154
CH2016-UR7001H-1426F6J32133-2T-AM	154
CH3535E-C03501H-53A64DF9J43040-2T-AM	154
CH3535E-PA3501H-YAYBF6F82535-2T-AM	154
CH3535E-UR3501H-1020F6F71925-2T-AM	154
CHI2024-KHAH4NG-24609-3G0T	63
CHI3030-KHAH4P7-27E19-3K0T	64
CHI3030-KHAH4S2-27L29-3Q0T	64
CHI3030-PMMB4P9-27E19-3K0T	63
D305SDRWB/S530-A3	132
D305SURWA/S530-A3	132
D306SURWA/S530-A3	132
D306USOWA/S530-A3	132
D425SDRWA/S530-A4	133
D425SURWA/S530-A3	133
D425SYGWA/S530-E2	133
D425USOWA/S530-A4	133
D426SURWB/S530-A3	133
D426SYGWA/S530-E2	133
D426USOWA/S530-A3	133
D426UYOWB/S530-A3	133
D511SURWB/S530-A3	133
D511SYGWB/S530-E2	133
D512SDRWB/S530-A3	134
D512SURWB/S530-A3	134
D512SYGWA/S530-E2	134
D512UBWA/C470	134
D515SURWA/S530-A3	134
D516SURWA/S530-A3	134
D525SURWA/S530-A3	134
D525SYGWA/S530-E2	134
D526SURWA/S530-A3	135
D526USOWA/S530-A4	135
ELAT07-KB4050J5J7293910-F1S	85
ELAT07-NB1924J4J6293910-F1M	85
ELAT07-NB5060J6J7293910-F1S	85
ELCH03-KB4050F6F8284103-N1S	84
ELCH04-NF5070F9J3294105-N1S	83
ELCH05-NB1924J3J6294310-N1S	82
ELCH05-NB5060J4J6294310-N1S	82
ELCH05-NB5065J4J6294310-N1S	83
ELCH07-NB1924J5J7283910-FCM	82
ELCH07-NB5060J6J8283910-FCS	82
ELCH07-NB5060J6J8283910-FCS	83
ELCH08-HB3545J5J7283910-F1S	85
ELCH08-KB4050J6J8283910-F1S	84
ELCH08-NB1924J6J8283910-FDM	82
ELCH08-NB5060J7J9283910-FDS	82
ELCH08-NB5060J7J9283910-FDS	83
ELCS14B-NB2025J5J7283910-F4Z	86
ELCS14B-NB5060J7J9283910-F4Z	86
ELCU02-5070J5J7294310-N1	87
ELCU03-NF5060J3J5294110-E1S	87

ALPHANUMERIC INDEX

VISIBLE LED

ELCU03-NF5060J6J8294110-E1S	87	ELSWF-JH1C1-5FPGS-C5000	50	GJU1215-KM27327-36208-490T	60
ELDA06-HB2555J3J8293910-FCX	86	ELSWF-JH1C1-5FPGS-C5000	50	GJU1215-KM27327-36312-490T	60
ELEM-2025F9F82838Z15-T4BN	82	ELSWF-JH1C1-5FPGS-C5700	49	GJU1215-KM30330-36106-490T	60
ELEM-5060F4F92838Z15-T4BN	82	ELSWF-JH1C1-5FPGS-C5700	49	GJU1215-KM30330-36208-490T	60
ELEM-5070E6F22838Z6-T2W	83	ELSWF-JH1C1-5FPGS-C5700	50	GJU1215-KM30330-36312-490T	60
ELEM-5070F3F82838Z15-T4W	83	ELSWF-JH1C1-5FPGS-C5700	50	GJU1215-KM40340-36106-490T	60
ELEM-KB4060E6F22838Z6-T2S	84	ELSWF-JH1C1-5FPGS-C6500	49	GJU1215-KM40340-36208-490T	60
ELEM-KB4060F2F72838Z15-T4S	84	ELSWF-JH1C1-5FPGS-C6500	49	GJU1215-KM40340-36312-490T	60
ELSW-E91B1-0EPNM-CB7B8	48	ELSWF-JH1C1-5FPGS-C6500	50	GJU1215-PM27327-36106-490T	60
ELSW-F51Y1-0EPNM-AA3A6	48	ELSWF-JH1C1-5FPGS-C6500	50	GJU1215-PM27327-36208-490T	60
ELSW-F61R1-0PPNM-AR5R6	48	ELSW-J21G1-0LPNM-CG1G2	48	GJU1215-PM27327-36312-490T	60
ELSW-F61Y1-0EPNM-AA3A*	48	ELSW-J31G1-0LPNM-CG1G2*	48	GJU1215-PM30330-36106-490T	60
ELSW-F81O1-0EPNM-AR3R4	48	ELSW-Q81F1-0EPNM-HF3F8	48	GJU1215-PM30330-36208-490T	60
ELSW-F91O1-0EPNM-AR3R4*	48	ELSW-Q91F1-0EPNM-HF3F8*	48	GJU1215-PM30330-36312-490T	60
ELSWF-J41M1-5FPHS-C2700	49	ELSW-R11E1-0EPNM-AD3D8	48	GJU1215-PM40340-36106-490T	60
ELSWF-J41M1-5FPHS-C2700	49	ELSW-R21E1-0EPNM-AD3D8*	48	GJU1215-PM40340-36208-490T	60
ELSWF-J41M1-5FPHS-C2700	50	ELSW-R41L1-0EPNM-CB4B6	48	GJU1215-PM40340-36312-490T	60
ELSWF-J41M1-5FPHS-C2700	50	ELSW-R51L1-0EPNM-CB4B6*	48	GJU2024-KM27327-36517-4G0T	61
ELSWF-J41M1-5FPHS-C3000	49	ELUA-2835TGB-P6080R83240100-V21M	79	GJU2024-KM27327-36725-4G0T	61
ELSWF-J41M1-5FPHS-C3000	49	ELUC6464LUB-P7080Q45272350-SD1Q	81	GJU2024-KM27327-36A35-4G0T	62
ELSWF-J41M1-5FPHS-C3000	50	ELUFA-Q30U1-0VPNE-DP2P3	77	GJU2024-KM27327-48A50-4G0T	62
ELSWF-J41M1-5FPHS-C3000	50	ELUFA-Q40U1-0VPNE-DP5P6	77	GJU2024-KM30330-36517-4G0T	61
ELSWF-J41M1-5FPHS-C3500	49	ELUFA-Q40U1-0VPNE-DP7P8	77	GJU2024-KM30330-36725-4G0T	61
ELSWF-J41M1-5FPHS-C3500	49	ELUFA-Q40U1-0VPNE-DP9P0	77	GJU2024-KM30330-36A35-4G0T	62
ELSWF-J41M1-5FPHS-C3500	50	ELUFA-R30U1-0VPNE-DP2P3	78	GJU2024-KM30330-48A50-4G0T	62
ELSWF-J41M1-5FPHS-C3500	50	ELUFA-R40U1-0VPNE-CP5P6	78	GJU2024-KM35335-36517-4G0T	61
ELSWF-J51N1-5FPHS-C4000	49	ELUFA-R50U1-0VPNE-CP7P8	78	GJU2024-KM35335-36725-4G0T	61
ELSWF-J51N1-5FPHS-C4000	49	ELUFA-R50U1-0VPNE-CP9P0	78	GJU2024-KM35335-36A35-4G0T	62
ELSWF-J51N1-5FPHS-C4000	50	ELULA-Q40U1-0VPNE-DP2P3	78	GJU2024-KM35335-48A50-4G0T	62
ELSWF-J51N1-5FPHS-C4000	50	ELULA-Q50U1-0VPNE-DP5P6	78	GJU2024-KM40340-36517-4G0T	61
ELSWF-J61C1-5FPHS-C5000	49	ELULA-Q50U1-0VPNE-DP7P8	78	GJU2024-KM40340-36725-4G0T	61
ELSWF-J61C1-5FPHS-C5000	49	ELULA-Q50U1-0VPNE-DP9P0	78	GJU2024-KM40340-36A35-4G0T	62
ELSWF-J61C1-5FPHS-C5000	50	ELUM3A-R51U1-0VPNE-DP2P3	80	GJU2024-KM40340-48A50-4G0T	62
ELSWF-J61C1-5FPHS-C5000	50	ELUM3A-R71U1-0VPNE-CP5P6	80	GJU2024-PM27327-36517-4G0T	61
ELSWF-J61C1-5FPHS-C5700	49	ELUM3A-R71U1-0VPNE-CP7P8	80	GJU2024-PM27327-36725-4G0T	61
ELSWF-J61C1-5FPHS-C5700	49	ELUM3A-R71U1-0VPNE-CP9P0	80	GJU2024-PM27327-36A35-4G0T	62
ELSWF-J61C1-5FPHS-C5700	50	ELUM5A-R51U1-0VPNE-DP2P3	80	GJU2024-PM27327-48A50-4G0T	62
ELSWF-J61C1-5FPHS-C6500	49	ELUM5A-R71U1-0VPNE-CP5P6	80	GJU2024-PM30330-36517-4G0T	61
ELSWF-J61C1-5FPHS-C6500	49	ELUM5A-R71U1-0VPNE-CP7P8	80	GJU2024-PM30330-36725-4G0T	61
ELSWF-J61C1-5FPHS-C6500	49	ELUM5A-R71U1-0VPNE-CP9P0	80	GJU2024-PM30330-36A35-4G0T	62
ELSWF-J61C1-5FPHS-C6500	50	ELUMA-R71U1-0VPNE-CP7P8	79	GJU2024-PM30330-48A50-4G0T	62
ELSWF-J61C1-5FPHS-C6500	50	ELUMA-R71U1-0VPNE-CP9P0	79	GJU2024-PM35335-36517-4G0T	61
ELSWF-J61N1-5FPGS-C4000	49	ELUMA-R51U1-0VPNE-DP2P3	79	GJU2024-PM35335-36725-4G0T	61
ELSWF-J61N1-5FPGS-C4000	49	ELUMA-R71U1-0VPNE-CP5P6	79	GJU2024-PM35335-36A35-4G0T	62
ELSWF-J61N1-5FPGS-C4000	50	ELUMFA-Q60U0-0VPNE-DP2P3(ZR)	77	GJU2024-PM35335-48A50-4G0T	62
ELSWF-J61N1-5FPGS-C4000	50	ELYU03-5060J5J7294310-N0	87	GJU2024-PM40340-36517-4G0T	61
ELSWF-J71C1-5FPGS-C5000	49	ELYU03-5070J5J7294310-N0	87	GJU2024-PM40340-36725-4G0T	61
ELSWF-J71C1-5FPGS-C5000	49	F415SURWA/S530-A3	137	GJU2024-PM40340-36A35-4G0T	62
ELSWF-J71C1-5FPGS-C5000	50	F415SURWB/S530-A3	137	GJU2024-PM40340-48A50-4G0T	62
ELSWF-J71C1-5FPGS-C5000	50	F416SURWA/S530-A3	137	GXUAN1313-KM27327-36103-492T	53
ELSWF-J71C1-5FPGS-C5700	49	F416SURWB/S530-A3	137	GXUAN1313-KM27327-36206-492T	53
ELSWF-J71C1-5FPGS-C5700	49	F416SYGWA/S530-E3	137	GXUAN1313-KM27327-36310-492T	54
ELSWF-J71C1-5FPGS-C5700	50	F416SURWA/S530-A3	137	GXUAN1313-KM27327-36413-492T	54
ELSWF-J71C1-5FPGS-C5700	50	F511SURWA/S530-A3	137	GXUAN1313-KM30330-36103-492T	53
ELSWF-J71C1-5FPGS-C6500	49	F511SURWB/S530-A3	137	GXUAN1313-KM30330-36206-492T	53
ELSWF-J71C1-5FPGS-C6500	49	F511SYGWA/S530-E2	137	GXUAN1313-KM30330-36310-492T	54
ELSWF-J71C1-5FPGS-C6500	50	F512SDRWB/S530-A3	138	GXUAN1313-KM30330-36413-492T	54
ELSWF-J71C1-5FPGS-C6500	50	F512SURWA/S530-A3	138	GXUAN1313-KM35335-36103-492T	53
ELSWF-JH1C1-5FPGS-C5000	49	F512SYGWA/S530-E2	138	GXUAN1313-KM35335-36206-492T	53
ELSWF-JH1C1-5FPGS-C5000	49	GJU1215-KM27327-36106-490T	60	GXUAN1313-KM35335-36310-492T	54

GXUAN1313-KM35335-36413-492T	54	GXUAN1919-PM35335-36516-4E2T	55	GXUAN3838-PT57557-B0IH3-4W2T	59
GXUAN1313-KM40340-36103-492T	53	GXUAN1919-PM35335-36619-4E2T	55	GXUAN3838-PT65565-B0IH3-4W2T	59
GXUAN1313-KM40340-36206-492T	53	GXUAN1919-PM35335-36826-4E2T	56	HN0507	148
GXUAN1313-KM40340-36310-492T	54	GXUAN1919-PM40340-36516-4E2T	55	HNB1921W-OS01	150
GXUAN1313-KM40340-36413-492T	54	GXUAN1919-PM40340-36619-4E2T	55	HNB2727W-OS01	150
GXUAN1313-KT50550-36103-492T	53	GXUAN1919-PM40340-36826-4E2T	56	HNB3535W-OS01	149
GXUAN1313-KT50550-36206-492T	53	GXUAN2828-KM27327-36C38-4M2T	57	JHU4001-KM277J1-72101-400T	65
GXUAN1313-KT50550-36310-492T	54	GXUAN2828-KM27327-54C58-4M2T	57	M2881SURWA/S530-A3	144
GXUAN1313-KT50550-36413-492T	54	GXUAN2828-KM27327-54I86-4M2T	58	M2881SYGWA/S530-E2	144
GXUAN1313-KT57557-36103-492T	53	GXUAN2828-KM30330-36C38-4M2T	57	M2881UYWA/S530-A3	144
GXUAN1313-KT57557-36206-492T	53	GXUAN2828-KM30330-54C58-4M2T	57	S1006SDRDB/A3/S660	131
GXUAN1313-KT57557-36310-492T	54	GXUAN2828-KM30330-54I86-4M2T	58	S1006SURWA/S530-A3	131
GXUAN1313-KT57557-36413-492T	54	GXUAN2828-KM35335-36C38-4M2T	57	S1006SYGWA/S530-E2	131
GXUAN1313-KT65565-36103-492T	53	GXUAN2828-KM35335-54C58-4M2T	57	S2326SURWA/S530-A3	132
GXUAN1313-KT65565-36206-492T	53	GXUAN2828-KM35335-54I86-4M2T	58	S2326SYGWA/S530-E2	132
GXUAN1313-KT65565-36310-492T	54	GXUAN2828-KM40340-36C38-4M2T	57	S2326UBWA/C470	132
GXUAN1313-KT65565-36413-492T	54	GXUAN2828-KM40340-54C58-4M2T	57	S2326USOWA/S530-A4	132
GXUAN1313-PM27327-36103-492T	53	GXUAN2828-KM40340-54I86-4M2T	58	S3030FPBUD2C/F120145N37BF-T	168
GXUAN1313-PM27327-36206-492T	53	GXUAN2828-KT50550-36C38-4M2T	57	S315SYGWA/S530-E2	131
GXUAN1313-PM27327-36310-492T	54	GXUAN2828-KT50550-54C58-4M2T	57	S321SURWA/S530-A3	131
GXUAN1313-PM27327-36413-492T	54	GXUAN2828-KT50550-54I86-4M2T	58	S321USOWA/S530-A4	131
GXUAN1313-PM30330-36103-492T	53	GXUAN2828-KT57557-36C38-4M2T	57	SD405SURWA/S530-A3/S290	140
GXUAN1313-PM30330-36206-492T	53	GXUAN2828-KT57557-54C58-4M2T	57	SD405SYGWA/S530-E2	140
GXUAN1313-PM30330-36310-492T	54	GXUAN2828-KT57557-54I86-4M2T	58	SD406SURWA/S530-A4/S290	141
GXUAN1313-PM30330-36413-492T	54	GXUAN2828-KT65565-36C38-4M2T	57	SD406SYGWA/S530-E2/S290	141
GXUAN1313-PM35335-36103-492T	53	GXUAN2828-KT65565-54C58-4M2T	57	SD511SYGWA/S530-E2/S290	141
GXUAN1313-PM35335-36206-492T	53	GXUAN2828-KT65565-54I86-4M2T	58	SF405SURWA/S530-A3/S290	143
GXUAN1313-PM35335-36310-492T	54	GXUAN2828-PM27327-36C38-4M2T	57	SF405UYOWA/A3/S290	143
GXUAN1313-PM35335-36413-492T	54	GXUAN2828-PM27327-54C58-4M2T	57	SF511SURWA/S530-A3/S290	143
GXUAN1313-PM40340-36103-492T	53	GXUAN2828-PM27327-54I86-4M2T	58	SF511SYGWA/S530-E2/S796	143
GXUAN1313-PM40340-36206-492T	53	GXUAN2828-PM30330-36C38-4M2T	57	SF512SURWA/S530-A3/S290	143
GXUAN1313-PM40340-36310-492T	54	GXUAN2828-PM30330-54C58-4M2T	57	SS205SURWA/S530-A4/S290	138
GXUAN1313-PM40340-36413-492T	54	GXUAN2828-PM30330-54I86-4M2T	58	SS205SYGWA/S530-E2/S290	138
GXUAN1919-KM27327-36516-4E2T	55	GXUAN2828-PM35335-36C38-4M2T	57	SS205UYOWA/S530-A3/S290	138
GXUAN1919-KM27327-36619-4E2T	55	GXUAN2828-PM35335-54C58-4M2T	57	SS205UYWA/S530-A3/S290	138
GXUAN1919-KM27327-36826-4E2T	56	GXUAN2828-PM35335-54I86-4M2T	58	SS206SYGWA/S530-E2/S290	138
GXUAN1919-KM30330-36516-4E2T	55	GXUAN2828-PM40340-36C38-4M2T	57	SS206USRWA/S530-A3/S290	138
GXUAN1919-KM30330-36619-4E2T	55	GXUAN2828-PM40340-54C58-4M2T	57	SS206UYWA/S530-A3/S290	138
GXUAN1919-KM30330-36826-4E2T	56	GXUAN2828-PM40340-54I86-4M2T	58	SS405SYGWA/S530-E2	139
GXUAN1919-KM35335-36516-4E2T	55	GXUAN2828-PT50550-36C38-4M2T	57	SS406SYGWA/S530-E2	139
GXUAN1919-KM35335-36619-4E2T	55	GXUAN2828-PT50550-54C58-4M2T	57	SS406UBWA/C470/S290	139
GXUAN1919-KM35335-36826-4E2T	56	GXUAN2828-PT50550-54I86-4M2T	58	SS406USRWA/S530-A3/S290	139
GXUAN1919-KM40340-36516-4E2T	55	GXUAN2828-PT57557-36C38-4M2T	57	SS406UWWA/S290	139
GXUAN1919-KM40340-36619-4E2T	55	GXUAN2828-PT57557-54C58-4M2T	57	SS506SURWA/S530-A4/S290	139
GXUAN1919-KM40340-36826-4E2T	56	GXUAN2828-PT57557-54I86-4M2T	58	SS506SYGWA/S530-E2	139
GXUAN1919-KT50550-36516-4E2T	55	GXUAN2828-PT65565-36C38-4M2T	57	SS511SURWA/S530-A3/S290	140
GXUAN1919-KT50550-36619-4E2T	55	GXUAN2828-PT65565-54C58-4M2T	57	SS511SYGWA/S530-E2/S290	140
GXUAN1919-KT50550-36826-4E2T	56	GXUAN2828-PT65565-54I86-4M2T	58	SS511UBWA/C470	140
GXUAN1919-KT57557-36516-4E2T	55	GXUAN3838-KM27327-B0IH3-4W2T	59	SS512SURWA/S530-A3/S290	140
GXUAN1919-KT57557-36619-4E2T	55	GXUAN3838-KM30330-B0IH3-4W2T	59	SS512SYGWA/S530-E2	140
GXUAN1919-KT57557-36826-4E2T	56	GXUAN3838-KM35335-B0IH3-4W2T	59	ST405SUGWA/S530-A4/S290	141
GXUAN1919-KT65565-36516-4E2T	55	GXUAN3838-KM40340-B0IH3-4W2T	59	ST405SURWA/S530-A3/S290	141
GXUAN1919-KT65565-36619-4E2T	55	GXUAN3838-KT50550-B0IH3-4W2T	59	ST405SYGWA/S530-E2	141
GXUAN1919-KT65565-36826-4E2T	56	GXUAN3838-KT57557-B0IH3-4W2T	59	ST405UYOWA/S530-A3/S290	141
GXUAN1919-PM27327-36516-4E2T	55	GXUAN3838-KT65565-B0IH3-4W2T	59	ST406SURWA/S530-A3/S290	142
GXUAN1919-PM27327-36619-4E2T	55	GXUAN3838-PM27327-B0IH3-4W2T	59	ST406SYGWA/S530-E2	142
GXUAN1919-PM27327-36826-4E2T	56	GXUAN3838-PM30330-B0IH3-4W2T	59	ST505SYGWA/S530-E2/S290	142
GXUAN1919-PM30330-36516-4E2T	55	GXUAN3838-PM35335-B0IH3-4W2T	59	ST512SURWA/S530-A3/S290	142
GXUAN1919-PM30330-36619-4E2T	55	GXUAN3838-PM40340-B0IH3-4W2T	59	ST512SYGWA/S530-E2/S290	142
GXUAN1919-PM30330-36826-4E2T	56	GXUAN3838-PT50550-B0IH3-4W2T	59		

ALPHANUMERIC INDEX

VISIBLE LED

ST512UBWA/C470/S290	142	XI3030-PA3501H-YAYBF5F92535-2T-AM	155	
T315SDRWA/S530-A3	135	XI3030-UR3501H-0621F4F81730-2T-AM	155	
T315SURWA/S530-A2	135			
T315SYGWA/S530-E2	135			
T315UYOWA/S530-A3	135			
T316SDRWA/S530-A3	135			
T316SURWA/S530-A3	135			
T316SYGWA/S530-E2	135			
T511SUGWB/S400-A4/S800	136			
T511SURWA/S530-A3	136			
T511SYGWA/S530-E2	136			
T511UYOWA/S530-A3	136			
T512SURWA/S530-A3	136			
T512SURWB/S530-A3	136			
T512SYGWA/S530-E2	136			
T512SYGWB/S530-E2	136			
T512USOWA/S530-A4	136			
T512UYOWA/S530-A3	136			
TSAN0303-M-K277-EU010-D001T	51			
TSAN0303-M-K307-EU010-D001T	51			
TSAN0303-M-K407-EU010-D001T	51			
TSAN0303-M-K507-EU010-E001T	51			
TSAN0303-M-K577-EU010-E001T	51			
TSAN0303-M-K657-EU010-E001T	51			
TSAN0505-M-K277-EU016-D001T	52			
TSAN0505-M-K307-EU016-D001T	52			
TSAN0505-M-K407-EU016-D001T	52			
TSAN0505-M-K507-EU016-E001T	52			
TSAN0505-M-K577-EU016-E001T	52			
TSAN0505-M-K657-EU016-E001T	52			
TSAN33DI-M-K277-EU008-D001T	51			
TSAN33DI-M-K307-EU008-D001T	51			
TSAN33DI-M-K407-EU008-D001T	51			
TSAN33DI-M-K507-EU008-E001T	51			
TSAN33DI-M-K577-EU008-E001T	51			
TSAN33DI-M-K657-EU008-E001T	51			
TSAN4FFA-M-K277-EU016-E001C	52			
TSAN4FFA-M-K307-EU016-E001C	52			
TSAN4FFA-M-K407-EU016-E001C	52			
TSAN4FFA-M-K507-EU016-F001C	52			
TSAN4FFA-M-K577-EU016-F001C	52			
TSAN4FFA-M-K657-EU016-F001C	52			
XI3030-C03501H-53A64DJ1J62535-2T-AM	155			
XI3030P/B3C-D5060T2T52432Z15/2N	67			
XI3030P/D3C-P4575R4R715231Z15/2N	67			
XI3030P/F3C-P1545S2S520281Z15/2N	67			
XI3030P/KK5C-3M2727N41PB24301U6/2N	66			
XI3030P/KK5C-3M3030N41PB24301U6/2N	66			
XI3030P/KK5C-3M3535N41PB24301U6/2N	66			
XI3030P/KK5C-3M4040N42PB24301U6/2N	66			
XI3030P/KK5C-3M5050N42PB24301U6/2N	66			
XI3030P/KK5C-3M5757N42PB24301U6/2N	66			
XI3030P/KK5C-3M6565N42PB24301U6/2N	66			
XI3030P/KK5C-H2727S32S756661Z15/2N	67			
XI3030P/KK5C-H3030S41S756661Z15/2N	67			
XI3030P/KK5C-H3535S41S756661Z15/2N	67			
XI3030P/KK5C-H4040S41S756661Z15/2N	67			
XI3030P/KK5C-H5050S42S856661Z15/2N	67			
XI3030P/KK5C-H5757S42S856661Z15/2N	67			
XI3030P/KK5C-H6565S41S856661Z15/2N	67			

ALPHANUMERIC INDEX

INFRARED LED, SENSORS, COUPLERS

4N25	255	EL0601	246	EL3033(P5)	263
4N26	255	EL060L	246	EL3041	264
4N27	255	EL0611	246	EL3041(P5)	263
4N28	255	EL0630	246	EL3042	264
4N29	244	EL0631	246	EL3042(P5)	263
4N30	244	EL0700	247	EL3043	264
4N31	244	EL0701	247	EL3043(P5)	263
4N32	244	EL1010-G	254	EL3051	264
4N33	244	EL1012-G	254	EL3051(P5)	263
4N35	255	EL1013-G	254	EL3052	264
4N36	255	EL1014-G	254	EL3052(P5)	263
4N37	255	EL1017-G	254	EL3053	264
4N38	255	EL1018-G	254	EL3053(P5)	263
6N135	247	EL1019-G	254	EL3061	264
6N136	247	EL1110-G	254	EL3061(P5)	263
6N137	248	EL1112-G	254	EL3062	264
6N138	248	EL1113-G	254	EL3062(P5)	263
6N139	248	EL1114-G	254	EL3063	264
ALS-PD50-42C/TR8	230	EL1116-G	254	EL3063(P5)	263
ALS-PD70-01C/L664/TR7	229	EL1117-G	254	EL3081	264
ALS-PD70-01C/TR7	229	EL1118-G	254	EL3081(P5)	263
ALS-PDIC144-6C/L378	227	EL1119-G	254	EL3082	264
ALS-PDIC15-21B/TR8	228	EL121N	252	EL3082(P5)	263
ALS-PDIC15-21C/L230/TR8	228	EL205	256	EL3083	264
ALS-PDIC17-55C/TR8	228	EL206	256	EL3083(P5)	263
ALS-PDIC17-77B/TR8	229	EL207	256	EL354N-G	252
ALS-PDIC17-77C/TR8	229	EL208	256	EL357L	259
ALS-PDIC243-3B	227	EL211	256	EL357L(A)	259
ALS-PDIC243-3B/L525	227	EL212	256	EL357L(B)	259
ALS-PDIC243-3C	227	EL213	256	EL357N-G	252
ALS-PT17-51C/L177/TR8	230	EL215	256	EL3H4-G	253
ALS-PT17-51NB/L369/TR8	230	EL216	256	EL3H7-G	253
ALS-PT19-315C/L177/TR8	230	EL217	256	EL406A	265
ALS-PT204-6C/L177	226	EL2200	250	EL425A	265
ALS-PT243-3C/L177	226	EL2201	250	EL440A	265
ALS-PT333-3C/L177	226	EL2202	250	EL4502	247
APM-12D23-20-DF8/TR8	231	EL2530	247	EL4503	247
APM-16D18-00-DF8/TR8	231	EL2531	247	EL4504	247
BR15-22C/L586/TR8	189	EL2601	248	EL452-G	243
CLS15-22C/L213B/TR8	232	EL260L	248	EL460A	265
CLS15-22C/L213G/TR8	232	EL2611	248	EL606A	266
CLS15-22C/L213R/TR8	232	EL2630	248	EL617	251
CNY17-1	255	EL2631	248	EL625A	266
CNY17-2	255	EL3010	264	EL640A	266
CNY17-3	255	EL3010(P5)	263	EL660A	266
CNY17-4	255	EL3011	264	EL814	251
CNY17F-1	255	EL3011(P5)	263	EL815	243
CNY17F-2	255	EL3012	264	EL816	251
CNY17F-3	255	EL3012(P5)	263	EL817	251
CNY17F-4	255	EL3021	264	EL8171	259
CNY64	260	EL3021(P5)	263	EL817-G	251
CNY65	260	EL3022	264	EL825	244
EL0452	246	EL3022(P5)	263	EL827	256
EL0453	246	EL3023	264	EL840A	266
EL0500	246	EL3023(P5)	263	EL847	258
EL0501	246	EL3031	264	EL851	251
EL050L	246	EL3031(P5)	263	EL852	243
EL0530	246	EL3032	264	EL860A	266
EL0531	246	EL3032(P5)	263	ELD205	257
EL0600	246	EL3033	264	ELD206	257

ALPHANUMERIC INDEX

INFRARED LED, SENSORS, COUPLERS

ELD207	257	H11B1	244	IR204C/H16/L10	174
ELD211	257	H11B2	244	IR204C-A	174
ELD213	257	H11B255	244	IR25-21C/TR8	183
ELD217	257	H11B3	244	IR26-21C/L110/TR8	184
ELD3H7	257	H11L1	250	IR26-51C/L110/TR8	184
ELM3022	261	H11L2	250	IR26-61C/L302/TR8	184
ELM3023	261	H11L3	250	IR26-61C/L447/TR8	184
ELM3024	261	HIR11-21C/L11/TR8	181	IR26-61C/L675/TR8	184
ELM3042	261	HIR12-21C/TR8	181	IR26-71C/L302/TR8	185
ELM3043	261	HIR15-21C/TR8	181	IR26-71C/L447/S63/TR8	185
ELM3044	261	HIR17-21C/L289/TR8	182	IR26-91C/L510/2D	190
ELM3052	261	HIR17-21C/TR8	182	IR28-01C/L491/2R	185
ELM3053	261	HIR19-21C/L11/TR8	182	IR323	175
ELM3054	261	HIR19-21C/L289/TR8	182	IR323/H0-A	175
ELM3062	261	HIR204	174	IR333/H0	175
ELM3063	261	HIR204/H0	174	IR333/H0/L10	175
ELM3064	261	HIR204C	174	IR333-A	175
ELM3082	261	HIR204C/H0	174	IR333C	175
ELM3083	261	HIR234C	174	IR333C/H0/L10	175
ELM3084	261	HIR25-21C/L423/2T	183	IR333C/H2	175
ELM452	245	HIR25-21C/L423/TR8	183	IR383	175
ELM453	245	HIR26-21C/L289/CT	184	IR42-21C/TR8	186
ELM453L	245	HIR26-21C/L423/CT	184	IR533C	176
ELM600	245	HIR30-01C/S16	179	IR5443-14C/L527	178
ELM601	245	HIR323C	175	IR57-21C/TR8	186
ELM611	245	HIR323C/H0	175	IR67-21C/TR8	186
ELQ3H4	258	HIR333/H0	175	IR7373C	176
ELQ3H7	258	HIR333C/H0	175	IR7393C	176
ELR0223	265	HIR36-01C/S32	179	IR83-01C/L491/TR8	187
ELR3223	265	HIR38-01C	179	IR8353-14C	177
ELT3021	262	HIR383C/L289	175	IR8394-20C	178
ELT3022	262	HIR42-21C/L289/TR8	186	IR89-01C/L447/1R	187
ELT3023	262	HIR42-21C/TR8	186	IR91-01C/L491/2R	188
ELT3041	262	HIR67-21C/L11/TR8	186	IR91-21C	187
ELT3042	262	HIR67-21C/L289/TR8	186	IR91-21C/TR10	187
ELT3043	262	HIR7323C/L599	177	IR91-21C/TR7	187
ELT3051	262	HIR7373B/L289	176	IR928-6C-F	180
ELT3052	262	HIR7373C	176	IR95-21C/TR7	188
ELT3053	262	HIR7393B/L289	176	IR-C19D-N90/L562-P03/TR	190
ELT3061	262	HIR7393C	176	IR-C19-N/L482-P01/TR	190
ELT3062	262	HIR83-01B/TR8	187	IRM-36xx(A)	207
ELT3063	262	HIR8323/C16	177	IRM-36xxJ(A)	207
ELT3081	262	HIR89-01C/1R	187	IRM-36xxJ2(A)	207
ELT3082	262	HIR91-01C/L297/2T	188	IRM-36xxM(A)	207
ELT3083	262	HIR-C19D/090A/L682-P01/TR	190	IRM-36xxM2(A)	207
ELW135	249	HIR-C19D/N150/L649-P03/TR	190	IRM-36xxM2-X(B)	207
ELW136	249	HIR-C19D-1N90/L649-P03/TR	190	IRM-36xxM3(A)	207
ELW137	249	IR11-21C/L491/TR8	181	IRM-36xxM3-X(B)	207
ELW2601	249	IR11-21C/TR8	181	IRM-36xxM6(A)	207
ELW2611	249	IR12-206C/L268/TR8	188	IRM-36xxM-X(B)	207
ELW4503	249	IR12-21C/TR8	181	IRM-36xxN3(A)	207
H11A1	255	IR15-21C/TR8	181	IRM-36xxT(A)	207
H11A2	255	IR16-213C/L510/TR8	182	IRM-36xxT-X(B)	207
H11A3	255	IR17-21C/TR8	182	IRM-36xxZ(A)	207
H11A4	255	IR19-217C/TR8	183	IRM-37xx	210
H11A5	255	IR19-21C/TR8	182	IRM-37xxM	210
H11AA1	256	IR19-315C/TR8	183	IRM-37xxM2	210
H11AA2	256	IR204/H16/L10	174	IRM-37xxM3	210
H11AA3	256	IR204/H60	174	IRM-37xxN3	210
H11AA4	256	IR204-A	174	IRM-37xxT	210

INFRARED LED, SENSORS, COUPLERS

IRM-37xxZ	210	ITR8010	238	PLR233	217
IRM-66xx	208	ITR8102	238	PLR237	217
IRM-66xxJ	208	ITR8104	238	PLR253	217
IRM-66xxM	208	ITR8105	239	PLR262	218
IRM-66xxM2	208	ITR8307	234	PLT132	222
IRM-66xxM3	208	ITR8307/F43	234	PLT133	222
IRM-66xxN3	208	ITR8307/L24	234	PLT133/T	224
IRM-66xxT	208	ITR8307/L24/F43	234	PLT133/T10B	225
IRM-76xxN3	208	ITR8307/L24/TR8	235	PLT133/T10W	225
IRM-86xxM2-M	209	ITR8307/TR8	235	PLT133/T2	224
IRM-88xxM3	210	ITR8402-F-A	239	PLT133/T5P	224
IRM-H2xxM2	213	ITR9606-F	239	PLT133/T8B	225
IRM-H2xxM3	213	ITR9608-F	240	PLT133/T9	225
IRM-H2xxT	213	ITR9702-F	240	PLT137	222
IRM-H2xxZ	213	ITR9707	240	PLT232/L5	222
IRM-H3xxJ	213	ITR9809-F/T	241	PLT237	222
IRM-H3xxM3	213	ITR9813	241	PLT262	223
IRM-H5xx	214	ITR9904	235	PLT262M	223
IRM-H5xxM	214	ITR9908	235	PLT272/L5	223
IRM-H5xxM3	214	ITR9909	236	PM-8D23-20-DF8/TR8	231
IRM-H5xxT	214	MCT2E	255	PT11-21C/L41/TR8	202
IRM-H6xx	214	PD12-206B/L512/TR8	193	PT12-21B/TR8	202
IRM-H6xxM	214	PD12-21B/L458/TR8	194	PT12-21C/TR8	202
IRM-H6xxM3	214	PD15-21B/TR8	194	PT1504-6B	200
IRM-H6xxT	214	PD15-22C/TR8	194	PT15-21B/TR8	202
IRM-H8xxJ	215	PD19-217B/TR8	195	PT15-21C/TR8	202
IRM-H8xxM	215	PD204-6B	191	PT17-21B/L41/TR8	203
IRM-H8xxM3	215	PD204-6C/L3	191	PT17-21C/L41/TR8	203
IRM-H8xxM3-C	215	PD26-91B/L458/2C	197	PT19-21B/L41/TR8	203
IRM-H8xxZ-C	215	PD28-01B/L609/2R	195	PT19-21C/L41/TR8	203
IRM-H9xx	216	PD333-3B/H0/L2	192	PT204-6B	198
IRM-H9xxM3	216	PD333-3C/H0/L2	191	PT204-6C	198
IRM-H9xxT	216	PD42-21B/TR8	196	PT2559B/L2/H2-F	201
IRM-V3xxM3	211	PD42-21C/TR8	196	PT2559B/L2-F	201
IRM-V5xx	211	PD438B	193	PT26-21B/TR8	203
IRM-V5xxM	211	PD438B/L1	193	PT26-21C/TR8	203
IRM-V5xxM2	211	PD438B/S46	193	PT26-51B/TR8	204
IRM-V5xxM3	211	PD438C	192	PT26-71B/TR8	204
IRM-V5xxT	211	PD438C/S46	192	PT28-21B/TR8	204
IRM-V8xxJ	212	PD5443-3B/L2	192	PT333-3B	199
IRM-V8xxJ2	212	PD60-48C/TR8	197	PT333-3C	198
IRM-V8xxM	212	PD638B	193	PT334-6B	199
IRM-V8xxM2	212	PD70-01B/TR10	196	PT334-6C	199
IRM-V8xxM3	212	PD70-01B/TR7	195	PT42-21B/TR8	204
IRM-V8xxM3-C	212	PD70-01C/TR10	196	PT534-6B	200
IRM-V8xxT	212	PD70-01C/TR7	195	PT5529B/L2/H2-F	201
IRR15-22C/L491/TR8	189	PD83-01B/L458/TR8	196	PT5529B/L2-F	201
IRR60-48C/TR8	189	PD95-21B/TR10	197	PT57-21B/TR8	205
IRRG25-16C/L491/TR8	190	PLR135	217	PT67-21B/C14/TR8	205
ITR1201SR10AR/TR	234	PLR135/T	219	PT67-21C/L41/TR8	205
ITR1203DT50A/TB	237	PLR135/T10	221	PT908-7B-F	200
ITR1205ST11A/TR	237	PLR135/T2	219	PT908-7C-F	200
ITR1502SR40A/TR8	233	PLR135/T5	219	PT91-21B	206
ITR1504SR10A/TR	233	PLR135/T7	220	PT91-21B/TR10	206
ITR20001/T	236	PLR135/T8	220	PT91-21B/TR7	206
ITR20002	236	PLR135/T9	221	PT91-21B/TR9	206
ITR20005-F	241	PLR137	217	PT91-21C	206
ITR20402	242	PLR155	217	PT91-21C/TR10	206
ITR20403	242	PLR162	218	PT91-21C/TR7	206
ITR20501	237	PLR162M	218	PT928-6B-F	201

CONDITIONS OF RoHS

From July 1st, 2006, RoHS requires that all electrical equipment should not contain lead, mercury, cadmium, hexavalent chromium, polybrominated biphenyls (PBBs) or poly brominated diphenyl ethers (PBDEs), and the elements are restricted to certain amount (such as mercury in a wound lighting tube <5 mg, lead in CRT glass, soldering tin, etc.). Before the date every member of European Union must obey of environment on chemical regulation.



- According to RoHS part, the norm of restrict and limit used substance adopted by EVERLIGHT.

Name	Description	Criteria
Cadmium	Cadmium and its compounds must not be present in parts, components, materials or products. Cadmium and its compounds must not used as stabilizers, coloring agent or as a surface coating treatment in parts, components, materials or products.	< 5 ppm (Plastics) < 75 ppm (Metals)
Lead restrictions	Lead and/or lead compounds shall not be present in hardware components or parts, however, except solder, electrical components and interconnect materials. Lead carbonates and sulfates must not be used in any paint applied to parts, component, or products.	< 100 ppm (Plastics) < 1000 ppm (Others)
Mercury restrictions	Mercury must not be contained in any part, material, components or product, including, but not limited to switches, relays or electrical contacts. This restriction does not apply to lamps with less than 10 mg if mercury.	< 5 ppm
Hexavalent chromium (chromium VI) and hexavalent chromium compounds	Hexavalent chromium (chromium VI) and hexavalent chromium compounds must not be present in parts, components, materials or products.	< 2 ppm
Polybrominated Biphenyls (PBBs)	Plastics parts, pomponents, materials and products must not contain Polybrominated Biphenyls as flame retardants, specific PBBs, but are not limited to those listed in attachment item.	< 5 ppm
Polybrominated Diphenyl Ethers (PBDEs)	Plastic parts, components, materials and products must not contain Polybrominated Biphenyl Ethers, known as flame retardants, specific PBBEs, including, but are not limited to, those listed in attachment item.	< 5 ppm

Compliant with the following condition :

- Please visit EVERLIGHT website for more updated information about third party test reports and RoHS declarations. (www.everlight.com)

APPLICATION NOTICE

Since we are continuously improving all of our products, the information listed in this Catalogue, which includes specifications, characteristics, data, materials used, structure, etc., are subject to change without prior notice. It is necessary that you request the newest specification sheet from EVERLIGHT when you place any inquiry or purchase order.

Please carefully read the specification sheet, and confirm your acceptance of the content. EVERLIGHT does not accept any liabilities for damages occurred due to the customer's lack of confirming the newest product specification.

It is important to strictly follow the maximum limit and other important instructions listed on the specifications sheet when using EVERLIGHT's products. The following is a list of special notes for products used in specific applications. It is recommended that customers read the instructions carefully before installing the products. Again, EVERLIGHT does not accept any liabilities for any improper use of EVERLIGHT's product or failure to follow the instructions listed herein:

Special Instruction:

1. Products listed in this Catalogue are designed primarily for the application listed below:
A : Calculators
B : Measurement equipment
C : AV machines
D : QA machines
E : Operating machines
F : Consumer electronics
G : Telecommunications

While products meet the application listed above, additional attention is required when products are to be utilized in the instruments listed under Special Instruction Notes 2 and 3.

2. When high reliability and safety concerns are required, it is very important that the design be made to focus on safety and long term reliability. Special care should be given to assure that EVERLIGHT's products integrate and function properly with all other parts of the instrument. Instruments fall into these categories include:

- A : Instruments attached to transportation tools
(aircraft, train, automobile)
- B : Traffic signs
- C : Gas leaking detectors and gas shutters
- D : Fire detectors
- E : Other safety detectors

3. When extremely high reliability and safety concerns are required, it is necessary that you contact EVERLIGHT for additional information before use. Instruments fall into these categories include:

- A : Aerospace instruments
- B : Telecommunication tools (main line)
- C : Nuclear weapon controls
- D : Medical instruments

4. Should you have any additional questions, please contact EVERLIGHT for details.

本資料所記載之製品的規格、特性、DATA、使用原料、構造...等，有時為了改良製品，無法事前通知，而逕行與予變更。因此請務必使用最新的規格書，並請針對內容加以確認。若因未確認規格書，導致使用次製品之機器或其他應用產品發生瑕疵時，敝公司將不負此責任。

使用本資料所記載之製品時，請遵守規格書所記載之絕對最大定格、使用上之注意事項，以及下列之注意點，若因不遵守規格書所記載之絕對最大定格、使用上之注意事項，以及下述之注意點，而導致發生損害問題時，敝公司將不負此責任。

注意項目：

1. 本資料所記載之製品，原則上是為了下述之用途而製造出來的產品
A: 電算機
B: OA機器
C: 通信機器
D: 計測機器
E: 工作機器
F: AV機器
G: 家電製品

若雖合乎上述用途，但是屬於下述2或3所記載之機器時，則需遵守個別產品之使用注意事項。

2. 若本資料所記載之製品用於下述講求高信賴性與安全性之用途時，因牽涉到機能與精度方面，為了維持這類機器的信賴性與安全性，請務必注重安全設計與長期性設計，並且需考慮整體機構的關係，依機器整體之安全設計來使用。

- A: 運送機器(飛機、火車、汽車)與控制安全性等
相關之產品
- B: 交通信號機
- C: 瓦斯漏氣檢測關閉機
- D: 防災裝置
- E: 各種安全裝置

3. 若本資料所記載之製品用於下述講求高信賴性與安全性之用途時，因牽涉到機能與精度方面，請事先與敝公司聯絡。

- A: 太空機器(航太儀器)
- B: 通信機器(幹線)
- C: 原子彈控制機器
- D: 醫療機器

4. 涉及上述注意事項之任何一項時，如有疑問，請和敝公司業務人員聯絡。

TECHNICAL DATA

HIGH POWER LED (SHUEN 炫, SHWO 燦, SHWO (D) 燦 (D), SHWO (N) 燦 (N), HV, JU 炬, XUAN 煊, A22, B05)

CIE BINNING RANKS

Cool-White Bin Coordinates

5000K				
Bin	50K-1	50K-2	50K-3	50K-4
CIE X	0.346	0.338	0.337	0.345
	0.345	0.337	0.337	0.344
	0.353	0.345	0.344	0.352
	0.355	0.346	0.345	0.353
CIE Y	0.369	0.362	0.349	0.356
	0.356	0.349	0.337	0.343
	0.362	0.356	0.343	0.349
	0.376	0.369	0.356	0.362

5700K				
Bin	57K-1	57K-2	57K-3	57K-4
CIE X	0.329	0.321	0.321	0.329
	0.329	0.321	0.322	0.329
	0.337	0.329	0.329	0.337
	0.338	0.329	0.329	0.337
CIE Y	0.354	0.346	0.335	0.342
	0.342	0.335	0.324	0.331
	0.349	0.342	0.331	0.337
	0.362	0.354	0.342	0.349

6500K				
Bin	65K-1	65K-2	65K-3	65K-4
CIE X	0.312	0.303	0.305	0.313
	0.313	0.305	0.307	0.315
	0.321	0.313	0.315	0.322
	0.321	0.312	0.313	0.321
CIE Y	0.339	0.330	0.321	0.329
	0.329	0.321	0.311	0.319
	0.337	0.329	0.319	0.326
	0.348	0.339	0.329	0.337

Warm-White Bin Coordinates

2700K				
Bin	27K-1	27K-2	27K-3	27K-4
CIE X	0.469	0.456	0.447	0.459
	0.459	0.447	0.437	0.448
	0.470	0.459	0.448	0.459
	0.481	0.469	0.459	0.470
CIE Y	0.429	0.426	0.408	0.410
	0.410	0.408	0.389	0.392
	0.413	0.410	0.392	0.394
	0.432	0.429	0.410	0.413

3000K				
Bin	30K-1	30K-2	30K-3	30K-4
CIE X	0.443	0.430	0.422	0.435
	0.435	0.422	0.415	0.426
	0.447	0.435	0.426	0.437
	0.456	0.443	0.435	0.447
CIE Y	0.421	0.417	0.399	0.403
	0.403	0.399	0.381	0.385
	0.408	0.403	0.385	0.389
	0.426	0.421	0.403	0.408

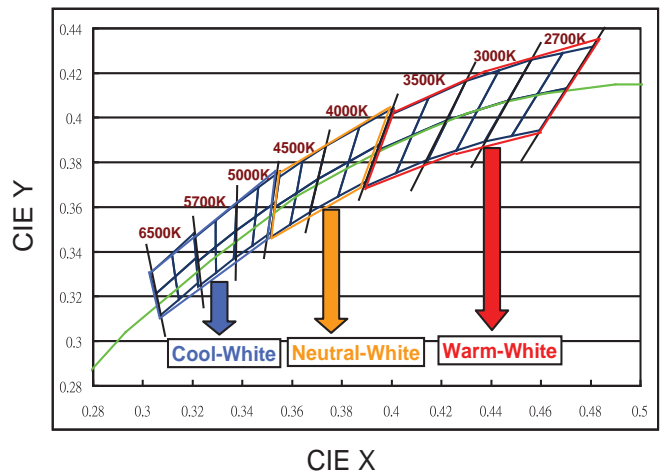
3500K				
Bin	35K-1	35K-2	35K-3	35K-4
CIE X	0.415	0.400	0.394	0.408
	0.408	0.394	0.389	0.402
	0.422	0.408	0.402	0.415
	0.430	0.415	0.408	0.422
CIE Y	0.409	0.402	0.385	0.392
	0.392	0.385	0.369	0.375
	0.399	0.392	0.375	0.381
	0.417	0.409	0.392	0.399

Natural-White Bin Coordinates

4000K				
Bin	40K-1	40K-2	40K-3	40K-4
CIE X	0.387	0.374	0.370	0.383
	0.383	0.370	0.367	0.378
	0.395	0.383	0.378	0.390
	0.401	0.387	0.383	0.395
CIE Y	0.396	0.387	0.373	0.380
	0.380	0.373	0.358	0.365
	0.388	0.380	0.365	0.372
	0.404	0.396	0.380	0.388

4500K				
Bin	45K-1	45K-2	45K-3	45K-4
CIE X	0.364	0.355	0.353	0.362
	0.362	0.353	0.351	0.359
	0.370	0.362	0.359	0.367
	0.374	0.364	0.362	0.370
CIE Y	0.381	0.374	0.360	0.366
	0.366	0.360	0.347	0.352
	0.373	0.366	0.352	0.358
	0.387	0.381	0.366	0.373

■ White Color Bin Structure



TECHNICAL DATA

HIGH POWER LED (SHUEN 炫, SHWO 爍, SHWO (D) 爍 (D), SHWO (N) 爍 (N), HV, JU 炬, XUAN 煊, A22, B05)

BRIGHTNESS BINNING RANKS

Shuen, Shwo, Shwo (D), HV

Shuen, Shwo

Ju, XUAN

Brightness (lm)

Wavelength (nm)

Brightness (lm)

Luminous Flux Bins

Luminous Flux Bins

Group	Binning	Minimum Photometric Flux (lm)	Maximum Photometric Flux (lm)	Group	Binning	Minimum Dominant Wavelength (nm)	Maximum Dominant Wavelength (nm)	Group	Binning	Minimum Photometric Flux (lm)	Maximum Photometric Flux (lm)	Group	Binning	Minimum Photometric Flux (lm)	Maximum Photometric Flux (lm)
E	1	4	5	B Blue/Royal-Blue	1	430	435	F	1	27	33	S	1	2200	2400
	2	5	6		2	435	440		2	33	39		2	2400	2600
	3	6	8		3	440	445		3	39	45		3	2600	2800
	4	8	10		4	445	450		4	45	52		4	2800	3000
	5	10	13		5	450	455		5	52	60		5	3000	3200
	6	13	17		6	455	460		6	60	70		6	3200	3400
	7	17	20		7	460	465		7	70	80		7	3400	3600
	8	20	23		8	465	470		8	80	90		8	3600	3800
	9	23	27		9	520	525		9	90	100		9	3800	4000
F	1	27	33	G Green	1	525	530	J	1	100	110	M	1	4000	4200
	2	33	39		2	530	535		2	110	120		2	4200	4400
	3	39	45		3	535	540		3	120	130		3	4400	4600
	4	45	52		4	540	545		4	130	140		4	4600	4800
	5	52	60		5	545	550		5	140	150		5	4800	5000
	6	60	70		6	545	550		6	150	160		6	5000	5200
	7	70	80	A Amber	1	580	582.5		7	160	180		7	5200	5400
	8	80	90		2	582.5	585		8	180	200		8	5400	5600
	9	90	100		3	585	587.5		9	200	225		9	5600	5800
J	1	100	110	R Red	4	587.5	590	K	1	225	250	Q	1	5800	6000
	2	110	120		5	590	592.5		2	250	275		2	6000	6200
	3	120	130		6	592.5	595		3	275	300		3	6200	6400
	4	130	140		3	610	615		4	300	325		4	6400	6600
	5	140	150		4	615	620		5	325	350		5	6600	6800
	6	150	160		5	620	625		6	350	375		6	6800	7000
	7	160	180	6	625	630	7		375	400	7		7000	7200	
	8	180	200	7	630	635	8		400	425	8		7200	7400	
	9	200	225	1	635	640	9		425	450	9		7400	7600	
K	1	225	250	D Deep-Red	2	640	645	N	1	450	475	P	1	900	1000
	2	250	275		3	645	650		2	475	500		2	1000	1100
	3	275	300		4	650	655		3	500	550		3	1100	1200
	4	300	325		5	655	660		4	550	600		4	1200	1350
	5	325	350		6	660	665		5	600	650		5	1350	1500
	6	350	375		7	665	670		6	650	700		6	1500	1650
	7	375	400		8	670	675		7	700	750		7	1650	1800
	8	400	425		1	700	710		8	750	800		8	1800	2000
	9	425	450		2	710	715		9	800	900		9	2000	2200
N	1	450	475	F Far-Red	3	715	720	P	1	900	1000				
	2	475	500		4	720	725		2	1000	1100				
	3	500	525		5	725	730		3	1100	1200				
	4	525	550		6	730	735		4	1200	1350				
					7	735	740		5	1350	1500				
					8	740	745		6	1500	1650				
									7	1650	1800				
									8	1800	2000				
							9	2000	2200						

HIGH POWER LED (SHUEN 炫, SHWO 爍, SHWO(D) 爍(D), SHWO(N) 爍(N), A22, B05)

FORWARD VOLTAGE BINNING RANKS

A22, B05

Brightness (lm)

Luminous Flux Bins

Group	Binning	Minimum Photometric Flux (lm)	Maximum Photometric Flux (lm)
E	1	1.5	3
	2	3	4
	3	4	5
	4	5	6
	5	6	8
F	1	8	10
	2	10	13
	3	13	17
	4	17	20
	5	20	23
J	1	23	27
	2	27	33
	3	33	39
	4	39	45
	5	45	52
K	1	52	60
	2	60	70
	31	70	75
	32	75	80
	33	80	85
	41	85	90
	42	90	95
	43	95	100
	51	100	110
	52	110	120
N	53	120	130
	11	130	140
	12	140	150
	13	150	160
	21	160	180
	22	180	200
	31	200	225
	32	225	250
	41	250	275
	42	275	300
R	51	300	350
	52	350	400
	11	400	450
	12	450	500
	21	500	550
	22	550	600
	31	600	650
	32	650	700
	33	700	750
	4	750	1000
5	1000	1300	

Shuen & Shwo

Forward Voltage Bins

Group Name	Bins	
A	U1+U2+U3	
B	U2+U3+U4	
C	V1+V2+V3	
D	V2+V3+V4	
E	V3+V4+V5	
F	V1+V2	
G	V1	
Bin	Minimum Forward Voltage (V)	Maximum Forward Voltage (V)
U1	1.75	2.05
U2	2.05	2.35
U3	2.35	2.65
U4	2.65	2.95
V1	2.95	3.25
V2	3.25	3.55
V3	3.55	3.85
V4	3.85	4.15
V5	4.15	4.45

A22 (1W)

Forward Voltage Bins

Bin	Minimum Forward Voltage (V)	Maximum Forward Voltage (V)	
VD	13.5	14.7	
VE	14.7	15.9	
VF	VF-1	15.9	16.2
	VF-2	16.2	16.5
	VF-3	16.5	16.8
	VF-4	16.8	17.1
VG	VG-1	17.1	17.4
	VG-2	17.4	17.7
	VG-3	17.7	18.0
	VG-4	18.0	18.3

Shwo (D)

Forward Voltage Bins

Group Name	Bins	
A	U1+U2+U3+U4	
B	U2+U3+U4+V1	
C	V1+V2+V3	
D	V1+V2+V3+V4	
Bin	Minimum Forward Voltage (V)	Maximum Forward Voltage (V)
U1	1.75	2.05
U2	2.05	2.35
U3	2.35	2.65
U4	2.65	2.95
V1	2.95	3.25
V2	3.25	3.55
V3	3.55	3.85
V4	3.85	4.15

A22 (0.5W)

Forward Voltage Bins

Bin	Minimum Forward Voltage (V)	Maximum Forward Voltage (V)
V1	2.95	3.25
V2	3.25	3.55
V3	3.55	3.85
V4	3.85	4.15

B05

Forward Voltage Bins

Bin	Minimum Forward Voltage (V)	Maximum Forward Voltage (V)
O1	4.5	5.0
O2	5.0	5.5
O3	5.5	6.0
O4	6.0	6.5
O5	6.5	7.0
O6	7.0	7.5
O7	7.5	8.0
R1	8.0	9.0
R2	9.0	10.0
R3	10.0	11.0
R4	11.0	12.0

TECHNICAL DATA

HIGH POWER LED (HV, JU SERIES) FORWARD VOLTAGE BINNING RANKS

HV (1W)

Forward Voltage Bins For 110V

Group Name	Bins
A	A3+A4
B	A4+A5
C	A5+A6
D	A3+A4+A5
E	A4+A5+A6
F	A3+A4+A5+A6

Bin	Production Line	
	Minimum Voltage (V)	Maximum Voltage (V)
A1	43	45
A2	45	47
A3	47	49
A4	49	51
A5	51	53
A6	53	55
A7	55	57
A8	57	59
A9	59	61

HV (2W)

Forward Voltage Bins For 110V

Group Name	Bins
A	B3+B4
B	B4+B5
C	B5+B6
D	B3+B4+B5
E	B4+B5+B6
F	B3+B4+B5+B6

Bin	Production Line	
	Minimum Voltage (V)	Maximum Voltage (V)
B1	87	91
B2	91	95
B3	95	99
B4	99	103
B5	103	107
B6	107	111
B7	111	115
B8	115	119
B9	119	123

Ju (1215, 2024)

Forward Voltage Bins

Group	Binning	Minimum Forward Voltage(V)	Maximum Forward Voltage(V)
R	R1	9	10
	R2	10	11
	R3	11	12
	R4	12	13
	R5	13	14
	R6	14	15
	R7	15	16
	R8	16	17
	R9	17	18
T	T1	18	19
	T2	19	20
	T3	20	21
	T4	21	22
	T5	22	23
	T6	23	24
	T7	24	25
	T8	25	26
	T9	26	27
W	W1	27	29
	W2	29	31
	W3	31	33
	W4	33	35
	W5	35	37
	W6	37	39
	W7	39	41
	W8	41	43
	W9	43	45
X	X1	45	47
	X2	47	50
	X3	50	53
	X4	53	56
	X5	56	59
	X6	59	63
	X7	63	67
	X8	67	71
	X9	71	75
Y	Y1	75	79
	Y2	79	83
	Y3	83	88
	Y4	88	93
	Y5	93	98
	Y6	98	103
	Y7	103	108
	Y8	108	113

For Lighting Application Only

LOW MIDDLE POWER LED - SMD TYPE CIE BINNING RANKS

Cool-White Bin Coordinates

5000K						
Bin	A	B	C	D	F	G
CIE X	0.3551	0.3464	0.3371	0.3533	0.3487	0.3482
	0.3464	0.3376	0.3366	0.3482	0.3425	0.3422
	0.3456	0.3371	0.3441	0.3477	0.3422	0.3418
	0.3487	0.3422	0.3448	0.3448	0.3482	0.3477
	0.3482	0.3425	0.3418	0.3441	--	--
CIE Y	0.3533	0.3456	0.3422	0.3515	--	--
	0.3760	0.3688	0.3493	0.3624	0.3629	0.3583
	0.3688	0.3616	0.3369	0.3583	0.3579	0.3533
	0.3604	0.3493	0.3428	0.3530	0.3533	0.3483
	0.3629	0.3533	0.3507	0.3507	0.3583	0.3530
	0.3583	0.3579	0.3483	0.3428	--	--
	0.3624	0.3604	0.3533	0.3487	--	--

5700K						
Bin	A	B	C	D	F	G
CIE X	0.3376	0.3292	0.3215	0.3371	0.3321	0.3321
	0.3292	0.3207	0.3222	0.3321	0.3261	0.3262
	0.3292	0.3215	0.3294	0.3320	0.3262	0.3263
	0.3321	0.3262	0.3293	0.3293	0.3321	0.3320
	0.3321	0.3261	0.3263	0.3294	--	--
CIE Y	0.3371	0.3292	0.3262	0.3366	--	--
	0.3616	0.3539	0.3353	0.3493	0.3490	0.3447
	0.3539	0.3462	0.3243	0.3447	0.3436	0.3395
	0.3464	0.3353	0.3306	0.3401	0.3395	0.3350
	0.3490	0.3395	0.3377	0.3377	0.3447	0.3401
	0.3447	0.3436	0.3350	0.3306	--	--
	0.3493	0.3464	0.3395	0.3369	--	--

6500K						
Bin	A	B	C	D	F	G
CIE X	0.3205	0.3117	0.3048	0.3213	0.3157	0.3161
	0.3117	0.3028	0.3068	0.3161	0.3093	0.3100
	0.3125	0.3048	0.3145	0.3166	0.3100	0.3106
	0.3157	0.3100	0.3136	0.3136	0.3161	0.3166
	0.3161	0.3093	0.3106	0.3145	--	--
CIE Y	0.3213	0.3125	0.3100	0.3221	--	--
	0.3481	0.3393	0.3209	0.3371	0.3360	0.3320
	0.3393	0.3304	0.3113	0.3320	0.3297	0.3259
	0.3328	0.3209	0.3187	0.3281	0.3259	0.3222
	0.3360	0.3259	0.3251	0.3251	0.3320	0.3281
	0.3320	0.3297	0.3222	0.3187	--	--
	0.3371	0.3328	0.3259	0.3261	--	--

Natural-White Bin Coordinates

4000K						
Bin	A	B	C	D	F	G
CIE X	0.4006	0.3871	0.3703	0.3952	0.3890	0.3873
	0.3871	0.3736	0.3670	0.3873	0.3793	0.3779
	0.3843	0.3703	0.3784	0.3854	0.3779	0.3764
	0.3890	0.3779	0.3810	0.3810	0.3873	0.3854
	0.3873	0.3793	0.3764	0.3784	--	--
CIE Y	0.3952	0.3843	0.3779	0.3898	--	--
	0.4044	0.3959	0.3726	0.3880	0.3887	0.3831
	0.3959	0.3874	0.3578	0.3831	0.3828	0.3773
	0.3858	0.3726	0.3647	0.3768	0.3773	0.3713
	0.3887	0.3773	0.3741	0.3741	0.3831	0.3768
	0.3831	0.3828	0.3713	0.3647	--	--
	0.3880	0.3858	0.3773	0.3716	--	--

4500K						
Bin	A	B	C	D	F	G
CIE X	0.3736	0.3642	0.3530	0.3703	0.3658	0.3648
	0.3642	0.3548	0.3512	0.3648	0.3592	0.3584
	0.3626	0.3530	0.3591	0.3637	0.3584	0.3575
	0.3658	0.3584	0.3607	0.3607	0.3648	0.3637
	0.3648	0.3592	0.3575	0.3591	--	--
CIE Y	0.3703	0.3626	0.3584	0.3670	--	--
	0.3874	0.3805	0.3601	0.3726	0.3738	0.3686
	0.3805	0.3736	0.3465	0.3686	0.3689	0.3640
	0.3714	0.3601	0.3522	0.3630	0.3640	0.3585
	0.3738	0.3640	0.3608	0.3608	0.3686	0.3630
	0.3686	0.3689	0.3585	0.3522	--	--
	0.3726	0.3714	0.3640	0.3578	--	--

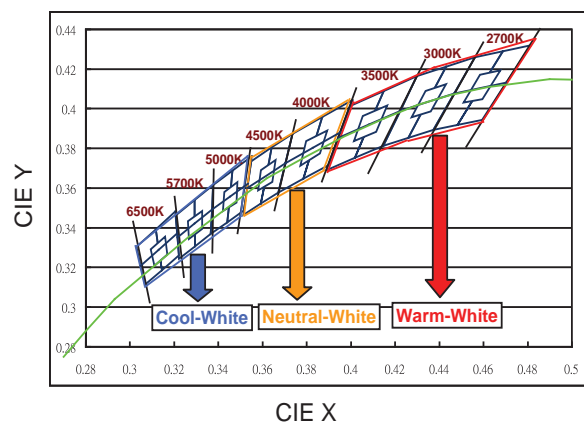
Warm-White Bin Coordinates

2700K						
Bin	A	B	C	D	F	G
CIE X	0.4813	0.4687	0.4465	0.4700	0.4667	0.4627
	0.4687	0.4562	0.4373	0.4627	0.4576	0.4539
	0.4621	0.4465	0.4483	0.4588	0.4539	0.4502
	0.4667	0.4539	0.4544	0.4544	0.4627	0.4588
	0.4627	0.4576	0.4502	0.4483	--	--
CIE Y	0.4700	0.4621	0.4539	0.4593	--	--
	0.4319	0.4289	0.4071	0.4126	0.4180	0.4109
	0.4289	0.4260	0.3893	0.4109	0.4158	0.4088
	0.4169	0.4071	0.3919	0.4041	0.4088	0.4020
	0.4180	0.4088	0.4030	0.4030	0.4109	0.4041
	0.4109	0.4158	0.4020	0.3919	--	--
	0.4126	0.4169	0.4088	0.3944	--	--

3000K						
Bin	A	B	C	D	F	G
CIE X	0.4562	0.4430	0.4221	0.4465	0.4422	0.4388
	0.4430	0.4299	0.4147	0.4388	0.4328	0.4297
	0.4375	0.4221	0.4259	0.4355	0.4297	0.4267
	0.4422	0.4297	0.4311	0.4311	0.4388	0.4355
	0.4388	0.4328	0.4267	0.4259	--	--
CIE Y	0.4465	0.4375	0.4297	0.4373	--	--
	0.4260	0.4212	0.3984	0.4071	0.4113	0.4043
	0.4212	0.4165	0.3814	0.4043	0.4079	0.4011
	0.4096	0.3984	0.3853	0.3977	0.4011	0.3946
	0.4113	0.4011	0.3962	0.3962	0.4043	0.3977
	0.4043	0.4079	0.3946	0.3853	--	--
	0.4071	0.4096	0.4011	0.3893	--	--

3500K						
Bin	A	B	C	D	F	G
CIE X	0.4299	0.4148	0.3943	0.4221	0.4159	0.4134
	0.4148	0.3996	0.3889	0.4134	0.4051	0.4029
	0.4106	0.3943	0.4018	0.4108	0.4029	0.4006
	0.4159	0.4029	0.4057	0.4057	0.4134	0.4108
	0.4134	0.4051	0.4006	0.4018	--	--
CIE Y	0.4221	0.4106	0.4029	0.4147	--	--
	0.4165	0.4090	0.3853	0.3984	0.4007	0.3943
	0.4090	0.4015	0.3690	0.3943	0.3954	0.3893
	0.3981	0.3853	0.3752	0.3878	0.3893	0.3829
	0.4007	0.3893	0.3853	0.3853	0.3943	0.3878
	0.3943	0.3954	0.3829	0.3752	--	--
	0.3984	0.3981	0.3893	0.3814	--	--

White Color Bin Structure



Chromaticity specification defined by ANSI

TECHNICAL DATA

For Lighting Application Only

LOW MIDDLE POWER LED - SURFACE MOUNT PLCC TYPE LED BRIGHTNESS BINNING RANKS

Luminous Flux Bins

Unit : lm

Bin code	Range	
	Min.	Max.
D1	0.5	1.0
D2	1.0	1.5
D3	1.5	2.0
D4	2.0	2.5
D5	2.5	3.0
D6	3.0	3.5
D7	3.5	4.0
D8	4.0	4.5
D9	4.5	5.0
BA	5.0	5.5
B1	5.5	6.0
B2	6.0	6.5
B3	6.5	7.0
B4	7.0	7.5
B5	7.5	8.0
B6	8.0	8.5
B7	8.5	9.0
B8	9.0	9.5
B9	9.5	10.0
L1	10.0	11.0
L2	11.0	12.0
L3	12.0	13.0
L4	13.0	14.0
L5	14.0	15.0
L6	15.0	16.0
L7	16.0	17.0
L8	17.0	18.0
L9	18.0	19.0
M3	19.0	21.0
M4	21.0	24.0
N3	24.0	27.0
N4	27.0	33.0
P3	33.0	39.0
P4	39.0	45.0
Q3	45.0	52.0
NB	32.0	36.0
PA	36.0	40.0
PB	40.0	45.0
QA	45.0	50.0
R1	50.0	55.0
R2	55.0	60.0
R3	60.0	65.0
R4	65.0	70.0
R5	70.0	76.0
R6	76.0	83.0
R7	83.0	90.0
R8	90.0	100.0
S1	100.0	110.0
S2	110.0	120.0
S3	120.0	130.0
S4	130.0	140.0
S5	140.0	150.0
S6	150.0	160.0
S7	160.0	170.0

VF Group Bin Code

Unit : V

Forward Voltage Group	Bin	Min.	Max.
B2	35	2.80	2.90
	36	2.90	3.00
	37	3.00	3.10
	38	3.10	3.20
	39	3.20	3.30
	40	3.30	3.40
	41	3.40	3.50
	42	3.50	3.60

Forward Voltage Group	Bin	Min.	Max.
5670	5#6	5.6	5.7
	5#7	5.7	5.8
	5#8	5.8	5.9
	5#9	5.9	6.0
	6#0	6.0	6.1
	6#1	6.1	6.2
	6#2	6.2	6.3
	6#3	6.3	6.4
	6#4	6.4	6.5
	6#5	6.5	6.6
	6#6	6.6	6.7
	6#7	6.7	6.8
	6#8	6.8	6.9
6#9	6.9	7.0	

Forward Voltage Group	Bin	Min.	Max.
8499	84C	8.4	8.7
	87C	8.7	9.0
	90C	9.0	9.3
	93C	9.3	9.6
	96C	9.6	9.9

SMD LED : SURFACE MOUNT CHIP LED (PCB TYPE) BRIGHTNESS BIN SELECTION

Luminous Intensity Groups

Unit : mcd

	C0: 0.28 ... 0.45	Q1: 72.0 ... 90.0
	D0: 0.45 ... 0.70	Q2: 90.0 ... 112
	E0: 0.70 ... 1.1	R1: 112 ... 140
	F0: 1.1 ... 1.8	R2: 140 ... 180
	G0: 1.8 ... 2.8	S1: 180 ... 225
	H0: 2.8 ... 4.5	S2: 225 ... 285
	J0: 4.5 ... 7.2	T1: 285 ... 360
	K0: 7.2 ... 11.5	T2: 360 ... 450
L ▶	L1: 11.5 ... 14.5	U1: 450 ... 565
	L2: 14.5 ... 18.0	U2: 565 ... 715
M ▶	M1: 18.0 ... 22.5	V0: 715 ... 1120
	M2: 22.5 ... 28.5	W0: 1120 ... 1800
N ▶	N1: 28.5 ... 36.0	X0: 1800 ... 2850
	N2: 36.0 ... 45.0	Y0: 2850 ... 4500
P ▶	P1: 45.0 ... 57.0	
	P2: 57.0 ... 72.0	

Note: The luminous intensity data did not include $\pm 15\%$ testing tolerance.

V_F (Forward Voltage Spec. Setup)

Unit : V

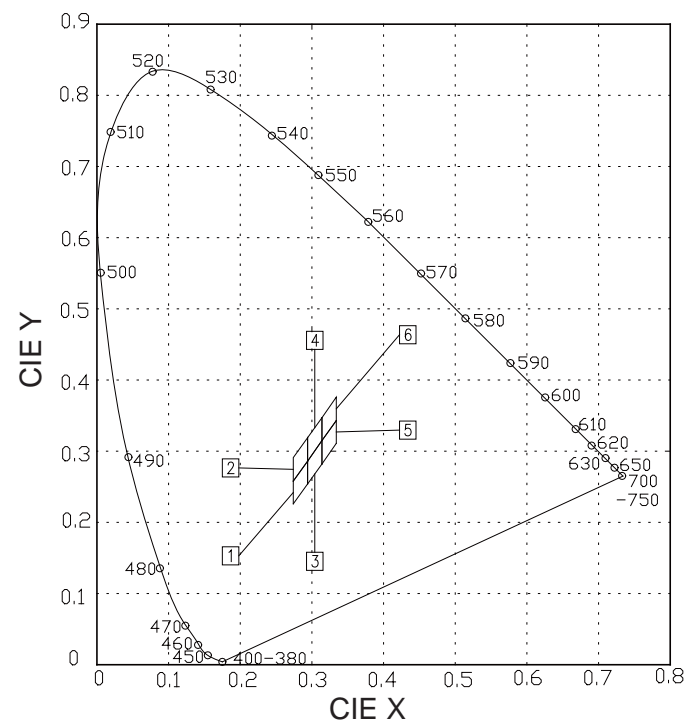
Forward Voltage Groups	Bin	Min.	Max.
	00	1.55	1.75
	0	1.75	1.95
	1	1.95	2.15
	2	2.15	2.35
	3	2.35	2.55
	4	2.55	2.75
	5	2.75	3.05
	6	3.05	3.35
	7	3.35	3.65
	8	3.65	3.95
	10	2.70	2.90
	11	2.90	3.10
	12	3.10	3.30
	13	3.30	3.50
	14	3.50	3.70
	15	2.70	2.85
	16	2.85	3.00
	17	3.00	3.15
	18	3.15	3.30

Note: The forward voltage data did not include $\pm 0.1V$ testing tolerance.

Bin Coordinate

Group	Bin Code	CIE_X	CIE_Y
A	1	0.274	0.226
		0.274	0.258
		0.294	0.286
		0.294	0.254
	2	0.274	0.258
		0.274	0.291
		0.294	0.319
		0.294	0.286
	3	0.294	0.254
		0.294	0.286
		0.314	0.315
		0.314	0.282
	4	0.294	0.286
		0.294	0.319
		0.314	0.347
		0.314	0.315
	5	0.314	0.282
		0.314	0.315
		0.334	0.343
		0.334	0.311
	6	0.314	0.315
		0.314	0.347
		0.334	0.376
		0.334	0.343

Bin Structure (White Light)



TECHNICAL DATA

For Lighting Application Only

SMD LED : SURFACE MOUNT PLCC LED (REFLECTOR) / LOW POWER LED
BRIGHTNESS BIN SELECTION

Luminous Intensity Groups

Unit : mcd

Bin Code	Min.	Max.	Bin Code	Min.	Max.
D1	0.5	1.0	NB	32.0	36.0
D2	1.0	1.5	PA	36.0	40.0
D3	1.5	2.0	PB	40.0	45.0
D4	2.0	2.5	QA	45.0	50.0
D5	2.5	3.0	R1	50.0	55.0
D6	3.0	3.5	R2	55.0	60.0
D7	3.5	4.0	R3	60.0	65.0
D8	4.0	4.5	R4	65.0	70.0
D9	4.5	5.0	R5	70.0	76.0
BA	5.0	5.5	R6	76.0	83.0
B1	5.5	6.0	R7	83.0	90.0
B2	6.0	6.5	R8	90.0	100.0
B3	6.5	7.0	S1	100.0	110.0
B4	7.0	7.5	S2	110.0	120.0
B5	7.5	8.0	S3	120.0	130.0
B6	8.0	8.5	S4	130.0	140.0
B7	8.5	9.0	S5	140.0	150.0
B8	9.0	9.5	S6	150.0	160.0
B9	9.5	10.0	S7	160.0	170.0
L1	10.0	11.0	S8	170.0	180.0
L2	11.0	12.0	T1	180.0	190.0
L3	12.0	13.0	T2	190.0	200.0
L4	13.0	14.0	T3	200.0	220.0
L5	14.0	15.0	T4	220.0	240.0
L6	15.0	16.0	T5	240.0	260.0
L7	16.0	17.0	T6	260.0	280.0
L8	17.0	18.0	T7	280.0	300.0
L9	18.0	19.0	T8	300.0	320.0
M3	19.0	21.0			
M4	21.0	24.0			
N3	24.0	27.0			
N4	27.0	33.0			
P3	33.0	39.0			
P4	39.0	45.0			
Q3	45.0	52.0			

V_F (Forward Voltage Spec. Setup)

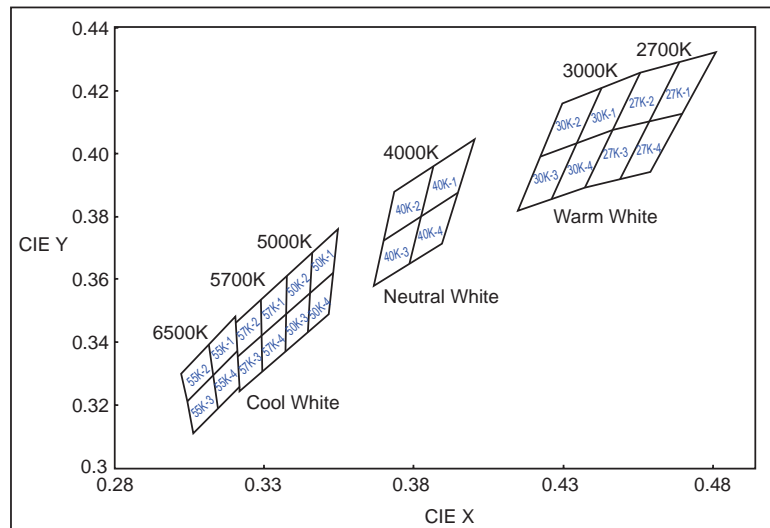
Unit : V (I_F=150mA)

Bin Group	Bin Code	Min.	Max.	
B42	B2	35	2.8	2.9
		36	2.9	3.0
		37	3.0	3.1
		38	3.1	3.2
		39	3.2	3.3
		40	3.3	3.4
		41	3.4	3.5
		42	3.5	3.6

Table of Color Rendering Index

Symbol	Description
M	CRI(Min.) : 60
N	CRI(Min.) : 65
L	CRI(Min.) : 70
Q	CRI(Min.) : 75
K	CRI(Min.) : 80
P	CRI(Min.) : 85
H	CRI(Min.) : 90

Bin Structure



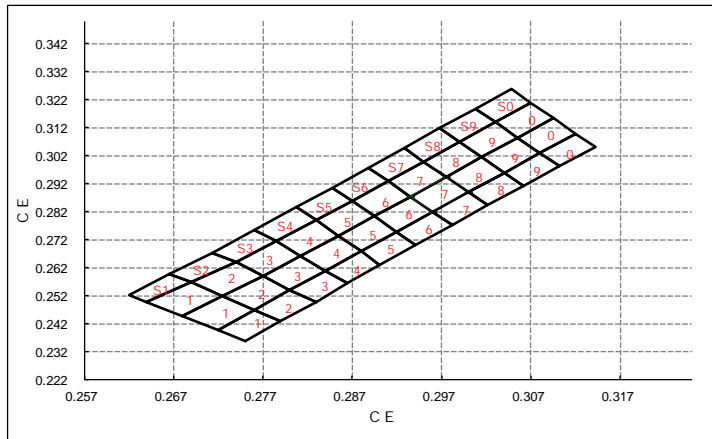
Bin Coordinate

CCT	Bin Code	CIE_x	CIE_y	Bin Code	CIE_x	CIE_y
6500K	65K-1	0.3205	0.3481	65K-3	0.3131	0.3290
		0.3117	0.3393		0.3048	0.3209
		0.3131	0.3290		0.3068	0.3113
		0.3213	0.3371		0.3145	0.3187
	65K-2	0.3117	0.3393	65K-4	0.3213	0.3371
		0.3028	0.3304		0.3131	0.3290
		0.3048	0.3209		0.3145	0.3187
		0.3131	0.3290		0.3221	0.3261
5700K	57K-1	0.3376	0.3616	57K-3	0.3293	0.3423
		0.3292	0.3539		0.3215	0.3353
		0.3293	0.3423		0.3222	0.3243
		0.3371	0.3493		0.3294	0.3306
	57K-2	0.3292	0.3539	57K-4	0.3371	0.3493
		0.3207	0.3462		0.3293	0.3423
		0.3215	0.3353		0.3294	0.3306
		0.3293	0.3423		0.3366	0.3369
5000K	50K-1	0.3551	0.3760	50K-3	0.3452	0.3558
		0.3464	0.3688		0.3371	0.3493
		0.3452	0.3558		0.3366	0.3369
		0.3533	0.3624		0.3441	0.3428
	50K-2	0.3464	0.3688	50K-4	0.3533	0.3624
		0.3376	0.3616		0.3452	0.3558
		0.3371	0.3493		0.3441	0.3428
		0.3452	0.3558		0.3515	0.3487
4000K	40K-1	0.4006	0.4044	40K-3	0.3828	0.3803
		0.3871	0.3959		0.3703	0.3726
		0.3828	0.3803		0.3670	0.3578
		0.3952	0.3880		0.3784	0.3647
	40K-2	0.3871	0.3959	40K-4	0.3952	0.3880
		0.3736	0.3874		0.3828	0.3803
		0.3703	0.3726		0.3784	0.3647
		0.3828	0.3803		0.3898	0.3716
3000K	30K-1	0.4562	0.4260	30K-3	0.4345	0.4033
		0.4431	0.4213		0.4223	0.3990
		0.4345	0.4033		0.4147	0.3814
		0.4468	0.4077		0.4260	0.3854
	30K-2	0.4431	0.4213	30K-4	0.4468	0.4077
		0.4299	0.4165		0.4345	0.4033
		0.4223	0.3990		0.4260	0.3854
		0.4345	0.4033		0.4373	0.3893
2700K	27K-1	0.4813	0.4319	27K-3	0.4585	0.4104
		0.4688	0.4290		0.4468	0.4077
		0.4585	0.4104		0.4373	0.3893
		0.4703	0.4132		0.4483	0.3919
	27K-2	0.4688	0.4290	27K-4	0.4703	0.4132
		0.4562	0.4260		0.4585	0.4104
		0.4468	0.4077		0.4483	0.3919
			0.4104			0.3944

TECHNICAL DATA

SMD LED (99-713 SERIES) BRIGHTNESS BIN SELECTION

Chromaticity Diagram



Bin Code of Chromaticity Coordinates

Bin	CIE_x	CIE_y	Bin	CIE_x	CIE_y	Bin	CIE_x	CIE_y	Bin	CIE_x	CIE_y	Bin	CIE_x	CIE_y		
S1	0.2665	0.2600	S2	0.2713	0.2675	S3	0.2740	0.2640	S4	0.2785	0.2715	S5	0.2830	0.2790		
	0.2690	0.2570		0.2740	0.2640		0.2713	0.2675		0.2760	0.2756		0.2807	0.2836		
	0.2640	0.2500		0.2690	0.2570		0.2760	0.2756		0.2807	0.2836		0.2848	0.2907		
	0.2620	0.2525		0.2665	0.2600		0.2785	0.2715		0.2830	0.2790		0.2870	0.2860		
T1	0.2680	0.2450	T2	0.2725	0.2520	T3	0.2770	0.2590	T4	0.2813	0.2663	T5	0.2855	0.2735		
	0.2640	0.2500		0.2690	0.2570		0.2740	0.2640		0.2785	0.2715		0.2830	0.2790	0.2830	0.2790
	0.2690	0.2570		0.2740	0.2640		0.2785	0.2715		0.2830	0.2790		0.2870	0.2860		
	0.2725	0.2520		0.2770	0.2590		0.2813	0.2663		0.2855	0.2735		0.2895	0.2805		
U1	0.2720	0.2400	U2	0.2760	0.2470	U3	0.2800	0.2540	U4	0.2840	0.2610	U5	0.2880	0.2680		
	0.2680	0.2450		0.2725	0.2520		0.2770	0.2590		0.2813	0.2663		0.2855	0.2735	0.2855	0.2735
	0.2725	0.2520		0.2770	0.2590		0.2813	0.2663		0.2855	0.2735		0.2895	0.2805		
	0.2760	0.2470		0.2800	0.2540		0.2840	0.2610		0.2880	0.2680		0.2920	0.2750		
V1	0.2750	0.2360	V2	0.2790	0.2430	V3	0.2830	0.2500	V4	0.2865	0.2565	V5	0.2900	0.2630		
	0.2720	0.2400		0.2760	0.2470		0.2800	0.2540		0.2840	0.2610		0.2880	0.2680		
	0.2760	0.2470		0.2800	0.2540		0.2840	0.2610		0.2880	0.2680		0.2920	0.2750		
	0.2790	0.2430		0.2830	0.2500		0.2865	0.2565		0.2900	0.2630		0.2941	0.2702		
Bin	CIE_x	CIE_y	Bin	CIE_x	CIE_y	Bin	CIE_x	CIE_y	Bin	CIE_x	CIE_y	Bin	CIE_x	CIE_y		
S6	0.2870	0.2860	S7	0.2910	0.2930	S8	0.2950	0.3000	S9	0.2990	0.3070	S0	0.3030	0.3140		
	0.2848	0.2907		0.2888	0.2978		0.2928	0.3048		0.2968	0.3118		0.3008	0.3188		
	0.2888	0.2978		0.2928	0.3048		0.2968	0.3118		0.3008	0.3188		0.3048	0.3258		
	0.2910	0.2930		0.2950	0.3000		0.2990	0.3070		0.3030	0.3140		0.3070	0.3210		
T6	0.2895	0.2805	T7	0.2935	0.2875	T8	0.2975	0.2945	T9	0.3015	0.3015	T0	0.3055	0.3085		
	0.2870	0.2860		0.2910	0.2930		0.2950	0.3000		0.2990	0.3070		0.3030	0.3140		
	0.2910	0.2930		0.2950	0.3000		0.2990	0.3070		0.3030	0.3140		0.3070	0.3210		
	0.2935	0.2875		0.2975	0.2945		0.3015	0.3015		0.3055	0.3085		0.3095	0.3155		
U6	0.2920	0.2750	U7	0.2960	0.2820	U8	0.3000	0.2890	U9	0.3040	0.2960	U0	0.3080	0.3030		
	0.2895	0.2805		0.2935	0.2875		0.2975	0.2945		0.3015	0.3015		0.3055	0.3085		
	0.2935	0.2875		0.2975	0.2945		0.3015	0.3015		0.3055	0.3085		0.3095	0.3155		
	0.2960	0.2820		0.3000	0.2890		0.3040	0.2960		0.3080	0.3030		0.3120	0.3100		
V6	0.2941	0.2702	V7	0.2982	0.2773	V8	0.3000	0.2890	V9	0.3062	0.2913	V0	0.3102	0.2983		
	0.2920	0.2750		0.2960	0.2820		0.3040	0.2960		0.3040	0.2960		0.3080	0.3030		
	0.2960	0.2820		0.3000	0.2890		0.3062	0.2913		0.3080	0.3030		0.3120	0.3100		
	0.2982	0.2773		0.3022	0.2843		0.3022	0.2843		0.3102	0.2983		0.3142	0.3053		

Luminous Intensity Groups

Unit : mcd

Bin	Min.	Max.	Bin	Min.	Max.	Bin	Min.	Max.
01	500	600	1	0	50	45	0	100
02	600	630	2	50	100	46	100	200
03	630	660	3	100	150	47	200	300
04	660	690	4	150	200	48	300	400
05	690	720	5	200	250	49	400	500
06	720	750	28	250	300	50	500	600
07	750	780	29	300	350	51	600	700
08	780	810	30	350	400	52	700	800
09	810	840	31	400	450	H40	2100	2150
10	840	870	32	450	500	H41	2150	2200
11	870	900	33	500	550	H42	2200	2250
12	900	930	34	550	600	H43	2250	2300
13	930	960	35	600	650	H44	2300	2350
14	960	990	36	650	700	H45	2350	2400
15	990	1020	37	700	750	H46	2400	2450
16	1020	1050	38	750	800	H47	2450	2500
17	1050	1080	39	800	850	H48	2500	2550
18	1080	1110	40	850	900	H49	2550	2600
19	1110	1140	41	900	950	H50	2600	2650
20	1140	1170	42	950	1050	H51	2650	2700
21	1170	1200	43	1050	1150	H52	2700	2750

Note: Tolerance of Luminous Intensity: $\pm 7\%$.

Luminous Flux

Unit : lm

Bin	Min.	Max.
40	4.00	4.25
42	4.25	4.50
45	4.50	4.75
47	4.75	5.00
50	5.00	5.25
52	5.25	5.50
55	5.50	5.75
57	5.75	6.00
60	6.00	6.25
62	6.25	6.50
65	6.50	6.75
67	6.75	7.00
70	7.00	7.25
72	7.25	7.50
75	7.50	7.75
77	7.75	8.00
80	8.00	8.25
82	8.25	8.50

V_F (Forward Voltage Spec. Setup)

Unit : V

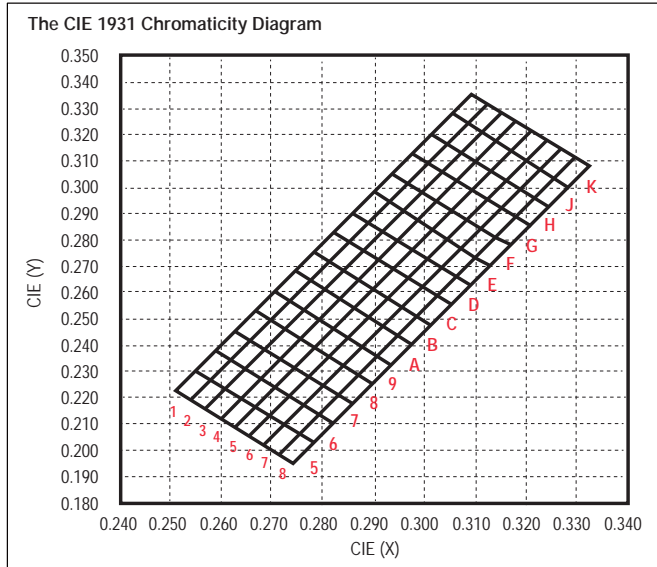
Bin	Min.	Max.
A	2.70	2.75
B	2.75	2.80
C	2.80	2.85
D	2.85	2.90
E	2.90	2.95
F	2.95	3.00
G	3.00	3.05
H	3.05	3.10
I	3.10	3.15
J	3.15	3.20
K	3.20	3.25
L	3.25	3.30
M	3.30	3.35
N	3.35	3.40
O	3.40	3.45
P	3.45	3.50
Q	3.50	3.55
R	3.55	3.60
S	3.60	3.65
T	3.65	3.70
U	3.70	3.75
V	3.75	3.80

Note: Tolerance of Forward Voltage: $\pm 0.05V$.

TECHNICAL DATA

SMD LED (50-315 SERIES) BRIGHTNESS BIN SELECTION

Chromaticity Diagram



Bin Code of Chromaticity Coordinates

Bin	CIE_x	CIE_y	Bin	CIE_x	CIE_y	Bin	CIE_x	CIE_y
A1	0.2731	0.2569	B1	0.2770	0.2644	C1	0.2809	0.2719
	0.2702	0.2603		0.2741	0.2678		0.2780	0.2753
	0.2741	0.2678		0.2780	0.2753		0.2819	0.2828
	0.2770	0.2644		0.2809	0.2719		0.2848	0.2794
A2	0.2760	0.2535	B2	0.2799	0.2610	C2	0.2838	0.2685
	0.2731	0.2569		0.2770	0.2644		0.2809	0.2719
	0.2770	0.2644		0.2809	0.2719		0.2848	0.2794
	0.2799	0.2610		0.2838	0.2685		0.2877	0.2760
A3	0.2789	0.2501	B3	0.2828	0.2576	C3	0.2867	0.2651
	0.2760	0.2535		0.2799	0.2610		0.2838	0.2685
	0.2799	0.2610		0.2838	0.2685		0.2877	0.2760
	0.2828	0.2576		0.2867	0.2651		0.2906	0.2726
A4	0.2818	0.2467	B4	0.2856	0.2539	C4	0.2895	0.2614
	0.2789	0.2501		0.2828	0.2576		0.2867	0.2651
	0.2828	0.2576		0.2867	0.2651		0.2906	0.2726
	0.2856	0.2539		0.2895	0.2614		0.2934	0.2689
A5	0.2847	0.2433	B5	0.2885	0.2505	C5	0.2924	0.2580
	0.2818	0.2467		0.2856	0.2539		0.2895	0.2614
	0.2856	0.2539		0.2895	0.2614		0.2934	0.2689
	0.2885	0.2505		0.2924	0.2580		0.2963	0.2655
A6	0.2876	0.2399	B6	0.2915	0.2474	C6	0.2954	0.2549
	0.2847	0.2433		0.2885	0.2505		0.2924	0.2580
	0.2885	0.2505		0.2924	0.2580		0.2963	0.2655
	0.2915	0.2474		0.2954	0.2549		0.2992	0.2621
A7	0.2905	0.2365	B7	0.2944	0.2440	C7	0.2983	0.2515
	0.2876	0.2399		0.2915	0.2474		0.2954	0.2549
	0.2915	0.2474		0.2954	0.2549		0.2992	0.2621
	0.2944	0.2440		0.2983	0.2515		0.3021	0.2587
A8	0.2934	0.2331	B8	0.2973	0.2406	C8	0.3012	0.2481
	0.2905	0.2365		0.2944	0.2440		0.2983	0.2515
	0.2944	0.2440		0.2983	0.2515		0.3021	0.2587
	0.2973	0.2406		0.3012	0.2481		0.3051	0.2556

Bin	CIE_x	CIE_y	Bin	CIE_x	CIE_y	Bin	CIE_x	CIE_y	Bin	CIE_x	CIE_y	Bin	CIE_x	CIE_y	Bin	CIE_x	CIE_y					
D1	0.2848	0.2794	E1	0.2887	0.2869	F1	0.2926	0.2944	G1	0.2965	0.3019	H1	0.3004	0.3094	J1	0.3043	0.3169	K1	0.3082	0.3244		
	0.2819	0.2828		0.2858	0.2903		0.2897	0.2978		0.2936	0.3053		0.2975	0.3128		0.3014	0.3203		0.3053	0.3278		
	0.2858	0.2903		0.2887	0.2869		0.2897	0.2978		0.2936	0.3053		0.2975	0.3128		0.3014	0.3203		0.3053	0.3278	0.3092	0.3353
	0.2887	0.2869		0.2926	0.2944		0.2965	0.3019		0.3004	0.3094		0.3043	0.3169		0.3082	0.3244		0.3121	0.3319		
D2	0.2877	0.2760	E2	0.2916	0.2835	F2	0.2955	0.2910	G2	0.2994	0.2985	H2	0.3033	0.3060	J2	0.3072	0.3135	K2	0.3111	0.3210		
	0.2848	0.2794		0.2887	0.2869		0.2926	0.2944		0.2965	0.3019		0.3004	0.3094		0.3043	0.3169		0.3082	0.3244		
	0.2887	0.2869		0.2926	0.2944		0.2965	0.3019		0.3004	0.3094		0.3043	0.3169		0.3082	0.3244		0.3121	0.3319		
	0.2916	0.2835		0.2955	0.2910		0.2994	0.2985		0.3033	0.3060		0.3072	0.3135		0.3111	0.3210		0.3150	0.3285		
D3	0.2906	0.2726	E3	0.2945	0.2801	F3	0.2984	0.2876	G3	0.3023	0.2951	H3	0.3062	0.3026	J3	0.3101	0.3101	K3	0.3140	0.3176		
	0.2877	0.2760		0.2887	0.2869		0.2926	0.2944		0.2965	0.3019		0.3004	0.3094		0.3043	0.3169		0.3082	0.3244		
	0.2916	0.2835		0.2955	0.2910		0.2994	0.2985		0.3033	0.3060		0.3072	0.3135		0.3111	0.3210		0.3150	0.3285		
	0.2945	0.2801		0.2984	0.2876		0.3023	0.2951		0.3062	0.3026		0.3101	0.3101		0.3140	0.3176		0.3179	0.3251		
D4	0.2934	0.2689	E4	0.2973	0.2764	F4	0.3012	0.2839	G4	0.3051	0.2914	H4	0.3090	0.2989	J4	0.3129	0.3064	K4	0.3168	0.3139		
	0.2906	0.2726		0.2887	0.2869		0.2926	0.2944		0.2965	0.3019		0.3004	0.3094		0.3043	0.3169		0.3082	0.3244		
	0.2945	0.2801		0.2984	0.2876		0.3023	0.2951		0.3062	0.3026		0.3101	0.3101		0.3140	0.3176		0.3179	0.3251		
	0.2973	0.2764		0.3012	0.2839		0.3051	0.2914		0.3090	0.2989		0.3129	0.3064		0.3168	0.3139		0.3207	0.3214		
D5	0.2963	0.2655	E5	0.3002	0.2730	F5	0.3041	0.2805	G5	0.3080	0.2880	H5	0.3119	0.2955	J5	0.3158	0.3030	K5	0.3197	0.3105		
	0.2877	0.2760		0.2887	0.2869		0.2926	0.2944		0.2965	0.3019		0.3004	0.3094		0.3043	0.3169		0.3082	0.3244		
	0.2916	0.2835		0.2955	0.2910		0.2994	0.2985		0.3033	0.3060		0.3072	0.3135		0.3111	0.3210		0.3150	0.3285		
	0.2945	0.2801		0.2984	0.2876		0.3023	0.2951		0.3062	0.3026		0.3101	0.3101		0.3140	0.3176		0.3179	0.3251		
D6	0.2934	0.2689	E6	0.2973	0.2764	F6	0.3012	0.2839	G6	0.3051	0.2914	H6	0.3090	0.2989	J6	0.3129	0.3064	K6	0.3168	0.3139		
	0.2906	0.2726		0.2887	0.2869		0.2926	0.2944		0.2965	0.3019		0.3004	0.3094		0.3043	0.3169		0.3082	0.3244		
	0.2945	0.2801		0.2984	0.2876		0.3023	0.2951		0.3062	0.3026		0.3101	0.3101		0.3140	0.3176		0.3179	0.3251		
	0.2973	0.2764		0.3012	0.2839		0.3051	0.2914		0.3090	0.2989		0.3129	0.3064		0.3168	0.3139		0.3207	0.3214		
D7	0.2963	0.2655	E7	0.3002	0.2730	F7	0.3041	0.2805	G7	0.3080	0.2880	H7	0.3119	0.2955	J7	0.3158	0.3030	K7	0.3197	0.3105		
	0.2877	0.2760		0.2887	0.2869		0.2926	0.2944		0.2965	0.3019		0.3004	0.3094		0.3043	0.3169		0.3082	0.3244		
	0.2916	0.2835		0.2955	0.2910		0.2994	0.2985		0.3033	0.3060		0.3072	0.3135		0.3111	0.3210		0.3150	0.3285		
	0.2945	0.2801		0.2984	0.2876		0.3023	0.2951		0.3062	0.3026		0.3101	0.3101		0.3140	0.3176		0.3179	0.3251		
D8	0.2934	0.2689	E8	0.2973	0.2764	F8	0.3012	0.2839	G8	0.3051	0.2914	H8	0.3090	0.2989	J8	0.3129	0.3064	K8	0.3168	0.3139		
	0.2906	0.2726		0.2887	0.2869		0.2926	0.2944		0.2965	0.3019		0.3004	0.3094		0.3043	0.3169		0.3082	0.3244		
	0.2945	0.2801		0.2984	0.2876		0.3023	0.2951		0.3062	0.3026		0.3101	0.3101		0.3140	0.3176		0.3179	0.3251		
	0.2973	0.2764		0.3012	0.2839		0.3051	0.2914		0.3090	0.2989		0.3129	0.3064		0.3168	0.3139		0.3207	0.3214		

Bin Code of Chromaticity Coordinates

Bin	CIE_x	CIE_y	Bin	CIE_x	CIE_y	Bin	CIE_x	CIE_y	Bin	CIE_x	CIE_y	Bin	CIE_x	CIE_y		
51	0.2507	0.2228	61	0.2575	0.2269	71	0.2585	0.2378	81	0.2653	0.2419	91	0.2692	0.2494		
	0.2536	0.2194		0.2546	0.2303		0.2614	0.2344		0.2624	0.2453		0.2663	0.2528		
	0.2575	0.2269		0.2585	0.2378		0.2653	0.2419		0.2663	0.2528		0.2692	0.2494		
	0.2546	0.2303		0.2614	0.2344		0.2624	0.2453		0.2663	0.2528		0.2692	0.2494		
52	0.2536	0.2194	62	0.2604	0.2235	72	0.2614	0.2344	82	0.2682	0.2385	92	0.2721	0.2460		
	0.2565	0.2160		0.2575	0.2269		0.2643	0.2310		0.2653	0.2419		0.2692	0.2494		
	0.2604	0.2235		0.2614	0.2344		0.2682	0.2385		0.2692	0.2494		0.2721	0.2460		
	0.2575	0.2269		0.2643	0.2310		0.2653	0.2419		0.2721	0.2460		0.2750	0.2501		
53	0.2565	0.2160	63	0.2633	0.2201	73	0.2643	0.2310	83	0.2711	0.2351	93	0.2750	0.2460		
	0.2594	0.2126		0.2604	0.2235		0.2672	0.2276		0.2682	0.2385		0.2711	0.2351	0.2750	0.2460
	0.2633	0.2201		0.2643	0.2310		0.2672	0.2276		0.2682	0.2385		0.2711	0.2351	0.2750	0.2460
	0.2604	0.2235		0.2672	0.2276		0.2682	0.2385		0.2711	0.2351		0.2750	0.2460	0.2779	0.2501
54	0.2594	0.2126	64	0.2662	0.2167	74	0.2672	0.2276	84	0.2740	0.2317	94	0.2779	0.2392		
	0.2623	0.2092		0.2633	0.2201		0.2701	0.2242		0.2711	0.2351		0.2740	0.2317	0.2750	0.2426
	0.2662	0.2167		0.2672	0.2276		0.2740	0.2317		0.2740	0.2317		0.2750	0.2426	0.2779	0.2392
	0.2633	0.2201		0.2701	0.2242		0.2711	0.2351		0.2711	0.2351		0.2740	0.2317	0.2750	0.2426
55	0.2623	0.2092	65	0.2691	0.2133	75	0.2701	0.2242	85	0.2769	0.2283	95	0.2808	0.2358		
	0.2652	0.2058		0.2662	0.2167		0.2730	0.2208		0.2740	0.2317		0.2769	0.2283	0.2779	0.2392
	0.2691	0.2133		0.2701	0.2242		0.2769	0.2283		0.2769	0.2283		0.2779	0.2392	0.2808	0.2358
	0.2662	0.2167		0.2730	0.2208		0.2740	0.2317		0.2740	0.2317		0.2769	0.2283	0.2779	0.2392
56	0.2652	0.2058	66	0.2720	0.2099	76	0.2730	0.2208	86	0.2798	0.2249	96	0.2837	0.2324		
	0.2681	0.2024		0.2691	0.2133		0.2759	0.2174		0.2769	0.2283		0.2769	0.2283	0.2779	0.2392
	0.2720	0.2099		0.2730	0.2208		0.2798	0.2249		0.2798	0.2249		0.2808	0.2358	0.2837	0.2324
	0.2691	0.2133		0.2759	0.2174		0.2769	0.2283		0.2769	0.2283		0.2798	0.2249	0.2808	0.2358
57	0.2681	0.2024	67	0.2749	0.2065	77	0.2759	0.2174	87	0.2827	0.2215	97	0.2866	0.2290		
	0.2710	0.1990		0.2720	0.2099		0.2788	0.2140		0.2798	0.2249		0.2798	0.2249	0.2808	0.2358
	0.2749	0.2065		0.2759	0.2174		0.2827	0.2215		0.2827	0.2215		0.2837	0.2324	0.2866	0.2290
	0.2720	0.2099		0.2788	0.2140		0.2798	0.2249		0.2798	0.2249		0.2837	0.2324	0.2866	0.2290
58	0.2710	0.1990	68	0.2778	0.2031	78	0.2788	0.2140	88	0.2856	0.2181	98	0.2895	0.2256		
	0.2739	0.1956		0.2749	0.2065		0.2817	0.2106		0.2827	0.2215		0.2827	0.2215	0.2837	0.2324
	0.2778	0.2031		0.2788	0.2140		0.2856	0.2181		0.2856	0.2181		0.2866	0.2290	0.2866	0.2290
	0.2749	0.2065		0.2817	0.2106		0.2827	0.2215		0.2827	0.2215		0.2856	0.2181	0.2866	0.2290

Luminous Flux

Unit : lm

Bin	Min.	Max.
L11	11.00	12.00
L12	12.00	13.00
L13	13.00	14.00
L14	14.00	15.00
L15	15.00	16.00
L16	16.00	17.00
L17	17.00	18.00
L18	18.00	19.00
L19	19.00	20.00
L20	20.00	21.00
L21	21.00	22.00

Note: Tolerance of Luminous Intensity: ±7%.

V_F (Forward Voltage Spec. Setup)

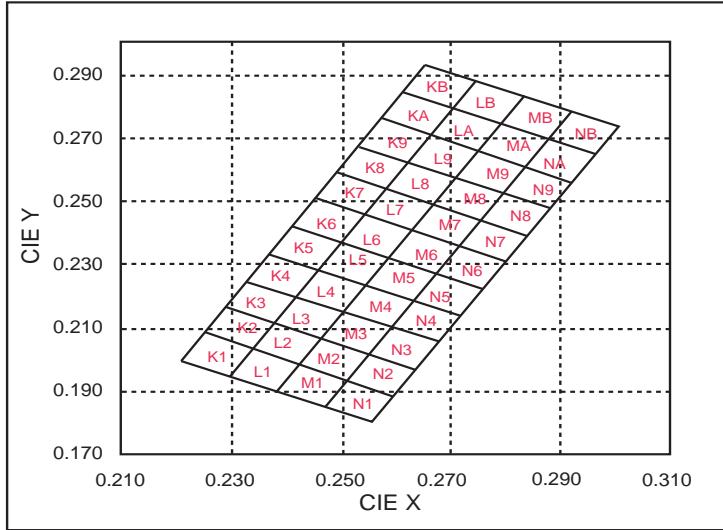
Unit : V

Groups					Bin	Min.	Max.
					4-2-3	2.7	2.8
					5-1-3	2.8	2.9
K					5-2-3	2.9	3.0
					6-1-3	3.0	3.1
					6-2-3	3.1	3.2
					7-1-3	3.2	3.3
					7-2-3	3.3	3.4

TECHNICAL DATA

SMD LED (62 SERIES) BRIGHTNESS BIN SELECTION

Chromaticity Diagram



Bin Code of Chromaticity Coordinates

Bin	CIE_x	CIE_y	Bin	CIE_x	CIE_y	Bin	CIE_x	CIE_y	Bin	CIE_x	CIE_y	Bin	CIE_x	CIE_y	Bin	CIE_x	CIE_y	Bin	CIE_x	CIE_y				
K1	0.2247	0.2082	K2	0.2288	0.2166	K3	0.2329	0.2250	K4	0.2457	0.2287	K5	0.2410	0.2419	K6	0.2451	0.2504	K7	0.2492	0.2588				
	0.2206	0.1997		0.2247	0.2082		0.2288	0.2166		0.2416	0.2202		0.2370	0.2335		0.2410	0.2419		0.2451	0.2504				
	0.2293	0.1949		0.2334	0.2034		0.2375	0.2118		0.2329	0.2250		0.2370	0.2335		0.2457	0.2288		0.2497	0.2371	0.2538	0.2456	0.2579	0.2540
	0.2334	0.2034		0.2375	0.2118		0.2416	0.2202		0.2370	0.2335		0.2497	0.2371		0.2538	0.2456		0.2579	0.2540				
L1	0.2334	0.2034	L2	0.2375	0.2118	L3	0.2416	0.2202	L4	0.2544	0.2239	L5	0.2497	0.2371	L6	0.2538	0.2456	L7	0.2579	0.2540				
	0.2293	0.1949		0.2334	0.2034		0.2375	0.2118		0.2503	0.2154		0.2457	0.2287		0.2497	0.2371		0.2538	0.2456	0.2579	0.2540		
	0.2380	0.1901		0.2421	0.1986		0.2462	0.2070		0.2416	0.2202		0.2416	0.2202		0.2544	0.2239		0.2584	0.2323	0.2625	0.2408	0.2666	0.2492
	0.2421	0.1986		0.2462	0.2070		0.2503	0.2154		0.2457	0.2287		0.2631	0.2191		0.2584	0.2323		0.2625	0.2408	0.2666	0.2492		
M1	0.2421	0.1986	M2	0.2462	0.2070	M3	0.2503	0.2154	M4	0.2631	0.2191	M5	0.2584	0.2323	M6	0.2625	0.2408	M7	0.2666	0.2492				
	0.2380	0.1901		0.2421	0.1986		0.2462	0.2070		0.2503	0.2154		0.2590	0.2106		0.2544	0.2239		0.2671	0.2275	0.2712	0.2360	0.2753	0.2444
	0.2467	0.1853		0.2508	0.1938		0.2549	0.2022		0.2549	0.2022		0.2590	0.2106		0.2631	0.2191		0.2671	0.2275	0.2712	0.2360	0.2753	0.2444
	0.2508	0.1938		0.2549	0.2022		0.2590	0.2106		0.2718	0.2143		0.2671	0.2275		0.2712	0.2360		0.2753	0.2444				
N1	0.2467	0.1853	N2	0.2508	0.1938	N3	0.2549	0.2022	N4	0.2677	0.2058	N5	0.2631	0.2191	N6	0.2671	0.2275	N7	0.2712	0.2360				
	0.2554	0.1805		0.2595	0.1890		0.2636	0.1974		0.2590	0.2106		0.2677	0.2058		0.2631	0.2191		0.2671	0.2275	0.2712	0.2360	0.2753	0.2444
	0.2595	0.1890		0.2636	0.1974		0.2677	0.2058		0.2631	0.2191		0.2758	0.2227		0.2799	0.2312		0.2840	0.2396				

Bin	CIE_x	CIE_y	Bin	CIE_x	CIE_y	Bin	CIE_x	CIE_y	Bin	CIE_x	CIE_y
K8	0.2533	0.2672	K9	0.2574	0.2757	KA	0.2615	0.2842	KB	0.2656	0.2927
	0.2492	0.2588		0.2533	0.2672		0.2574	0.2757		0.2615	0.2842
	0.2579	0.2540		0.2620	0.2624		0.2661	0.2709		0.2702	0.2794
	0.2620	0.2624		0.2661	0.2709		0.2702	0.2794		0.2743	0.2879
L8	0.2620	0.2624	L9	0.2661	0.2709	LA	0.2702	0.2794	LB	0.2743	0.2879
	0.2579	0.2540		0.2620	0.2624		0.2661	0.2709		0.2702	0.2794
	0.2666	0.2492		0.2707	0.2576		0.2748	0.2661		0.2789	0.2746
	0.2707	0.2576		0.2748	0.2661		0.2789	0.2746		0.2830	0.2831
M8	0.2707	0.2576	M9	0.2748	0.2661	MA	0.2789	0.2746	MB	0.2830	0.2831
	0.2666	0.2492		0.2707	0.2576		0.2748	0.2661		0.2789	0.2746
	0.2753	0.2444		0.2794	0.2528		0.2835	0.2613		0.2876	0.2698
	0.2794	0.2528		0.2835	0.2613		0.2876	0.2698		0.2917	0.2783
N8	0.2794	0.2528	N9	0.2835	0.2613	NA	0.2876	0.2698	NB	0.2917	0.2783
	0.2753	0.2444		0.2794	0.2528		0.2835	0.2613		0.2876	0.2698
	0.2840	0.2396		0.2881	0.2480		0.2922	0.2565		0.2963	0.2650
	0.2881	0.2480		0.2922	0.2565		0.2963	0.2650		0.3004	0.2735

Luminous Flux

Unit : lm

1 lm / Bin									2 lm / Bin					
Bin	CIE_x	CIE_y	Bin	CIE_x	CIE_y	Bin	CIE_x	CIE_y	Bin	CIE_x	CIE_y	Bin	CIE_x	CIE_y
18	18	19	18	18	19	18	18	19	T18	18	20	T50	50	52
19	19	20	19	19	20	19	19	20	T20	20	22	T52	52	54
20	20	21	20	20	21	20	20	21	T22	22	24	T54	54	56
21	21	22	21	21	22	21	21	22	T24	24	26	T56	56	58
22	22	23	22	22	23	22	22	23	T26	26	28	T58	58	60
23	23	24	23	23	24	23	23	24	T28	28	30	T60	60	62
24	24	25	24	24	25	24	24	25	T30	30	32	T62	62	64
25	25	26	25	25	26	25	25	26	T32	32	34	T64	64	66
26	26	27	26	26	27	26	26	27	T34	34	36	T66	66	68
27	27	28	27	27	28	27	27	28	T36	36	38	T68	68	70
28	28	29	28	28	29	28	28	29	T38	38	40	T70	70	72
29	29	30	29	29	30	29	29	30	T40	40	42	T72	72	74
30	30	31	30	30	31	30	30	31	T42	42	44	T74	74	76
31	31	32	31	31	32	31	31	32	T44	44	46	T76	76	78
32	32	33	32	32	33	32	32	33	T46	46	48	T78	78	80
33	33	34	33	33	34	33	33	34	T48	48	50	T80	80	82

Note: Tolerance of Luminous Intensity: $\pm 7\%$.

V_F (Forward Voltage Spec. Setup)

Unit : V

Single Chip			Two Chips					
Bin	Min.	Max.	Parallel			Serial		
			Bin	Min.	Max.	Bin	Min.	Max.
A	2.9	3.0	PA	2.9	3.0	S8	5.8	6.0
B	3.0	3.1	PB	3.0	3.1	S9	6.0	6.2
C	3.1	3.2	PC	3.1	3.2	SA	6.2	6.4
D	3.2	3.3	PD	3.2	3.3	SB	6.4	6.6
E	3.3	3.4	PE	3.3	3.4	SC	6.6	6.8
F	3.4	3.5	PF	3.4	3.5	SD	6.8	7.0
G	3.5	3.6	PG	3.5	3.6	SE	7.0	7.2

Note: Tolerance of Forward Voltage: $\pm 0.05V$.

TECHNICAL DATA

LED LAMPS BRIGHTNESS BIN SELECTION

Brightness Bin Selection

Unit : mcd

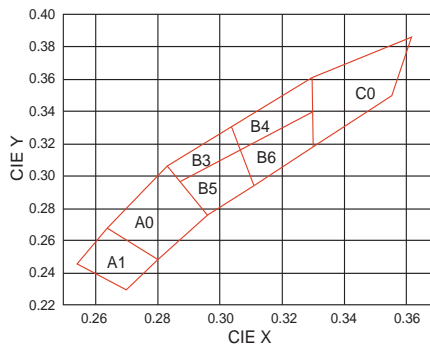
Item	Intensity Iv (mcd)	
Bin Code	Min.	Max.
a7	6.0	8.0
a6	8.0	10.0
a5	10.0	12.0
a4	12.0	15.0
a3	15.0	18.0
a2	18.0	22.0
a1	22.0	28.0
0	28.0	35.0
1	35.0	42.0
2	42.0	50.0
3	50.0	60.0
4	60.0	70.0
5	70.0	85.0
6	85.0	100
7	100	120
8	120	140
9	140	170
A	170	200
B	200	240
C	240	285
D	285	360
E	360	450
F	450	565
G	565	715
H	715	900
J	900	1,125
K	1,125	1,425
L	1,425	1,800
M	1,800	2,250
N	2,250	2,850
P	2,850	3,600
Q	3,600	4,500
R	4,500	5,650
S	5,650	7,150
T	7,150	9,000
U	9,000	11,250
V	11,250	14,250
W	14,250	18,000
X	18,000	22,500
Y	22,500	28,500
Z	28,500	36,000

Cool White / CIE Chromaticity Diagram

(I_f=20mA / T_a=25°C)

Color Ranks	CIE				
A1	X	0.255	0.264	0.280	0.270
	Y	0.245	0.267	0.248	0.230
A0	X	0.264	0.283	0.296	0.280
	Y	0.267	0.305	0.267	0.248
B3	X	0.283	0.304	0.307	0.287
	Y	0.305	0.330	0.315	0.295
B4	X	0.304	0.330	0.330	0.307
	Y	0.330	0.360	0.339	0.315
B5	X	0.287	0.307	0.311	0.296
	Y	0.295	0.315	0.294	0.276
B6	X	0.307	0.330	0.330	0.311
	Y	0.315	0.339	0.318	0.294
C0	X	0.330	0.361	0.355	0.330
	Y	0.360	0.385	0.350	0.318

Note: Measurement uncertainty of the color coordinates ±0.01.

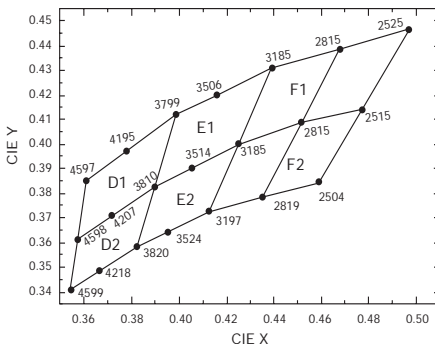


Warm White / CIE Chromaticity Diagram

(I_f=20mA / T_a=25°C)

Color Ranks	CIE				
D1	X	0.357	0.361	0.398	0.389
	Y	0.361	0.385	0.411	0.382
D2	X	0.354	0.357	0.389	0.382
	Y	0.340	0.361	0.382	0.358
E1	X	0.389	0.398	0.439	0.425
	Y	0.382	0.411	0.431	0.400
E2	X	0.382	0.389	0.425	0.412
	Y	0.358	0.382	0.400	0.372
F1	X	0.425	0.439	0.497	0.477
	Y	0.400	0.431	0.466	0.413
F2	X	0.412	0.425	0.477	0.458
	Y	0.372	0.400	0.413	0.383

Note: Measurement uncertainty of the color coordinates ±0.01.

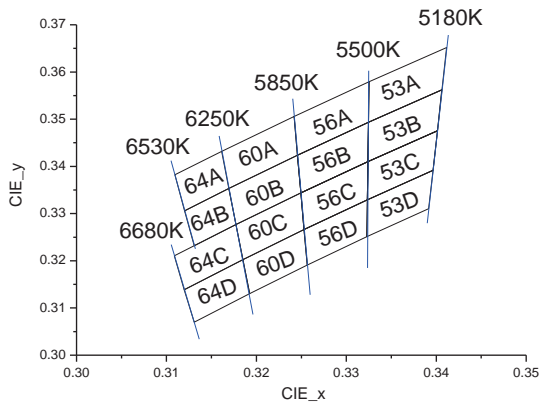


DIGITAL DISPLAY BRIGHTNESS BIN SELECTION

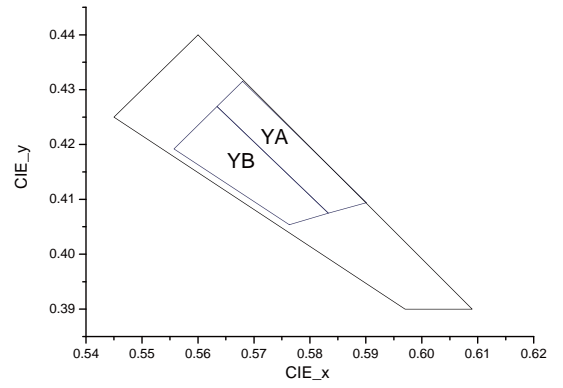
Bin Code	Brightness Range (μcd)	
	Min.	Max.
C	70	140
D	110	220
E	180	360
F	280	560
G	450	900
H	750	1200
J	1050	1680
K	1400	2300
L	2000	3200
M	2800	4500
N	4000	6400
P	5600	8900
Q	7800	12500
R	11000	17600
S	15000	24000
T	21000	34000
U	30000	48000
V	42000	67000
W	59000	94000
X	83000	133000
Y	116000	186000
Z	158800	254000

AUTOMOTIVE BIN SELECTION

Exterior White / Cool-White Bin Structure



Amber Bin Structure



Cool-White Bin Coordinates

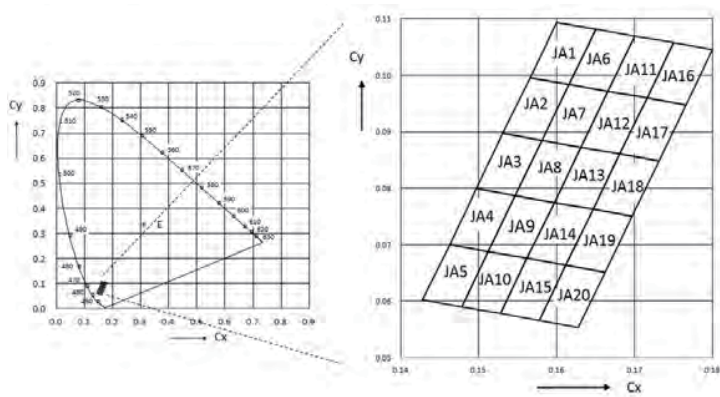
Bin	CIE X	CIE Y	Bin	CIE X	CIE Y	Bin	CIE X	CIE Y
64A	0.3109	0.3382	60C	0.3177	0.3277	53A	0.3325	0.3579
	0.3161	0.3432		0.3249	0.3344		0.3412	0.3652
	0.3169	0.3353		0.3253	0.3266		0.3406	0.3562
	0.3120	0.3306		0.3185	0.3203		0.3325	0.3493
Reference Range: 6240~6530K			Reference Range: 5850~6240K			Reference Range: 5180~5500K		
64B	0.3120	0.3306	60D	0.3185	0.3203	53B	0.3325	0.3493
	0.3169	0.3353		0.3253	0.3266		0.3406	0.3562
	0.3177	0.3277		0.3256	0.3191		0.3401	0.3476
	0.3131	0.3232		0.3192	0.3131		0.3324	0.3410
Reference Range: 6240~6530K			Reference Range: 5850~6240K			Reference Range: 5180~5500K		
64C	0.3109	0.3211	56A	0.3242	0.3506	53C	0.3324	0.3410
	0.3177	0.3277		0.3325	0.3579		0.3401	0.3476
	0.3185	0.3203		0.3325	0.3493		0.3396	0.3392
	0.3120	0.3139		0.3246	0.3424		0.3323	0.3329
Reference Range: 6240~6680K			Reference Range: 5500~5850K			Reference Range: 5180~5500K		
64D	0.3120	0.3139	56B	0.3246	0.3424	53D	0.3323	0.3329
	0.3185	0.3203		0.3325	0.3493		0.3396	0.3392
	0.3192	0.3131		0.3324	0.3410		0.3392	0.3310
	0.3131	0.3070		0.3249	0.3344		0.3323	0.3251
Reference Range: 6240~6680K			Reference Range: 5500~5850K			Reference Range: 5180~5500K		
60A	0.3161	0.3432	56C	0.3249	0.3344			
	0.3242	0.3506		0.3324	0.3410			
	0.3246	0.3424		0.3323	0.3329			
	0.3169	0.3353		0.3253	0.3266			
Reference Range: 5850~6240K			Reference Range: 5500~5850K					
60B	0.3169	0.3353	56D	0.3253	0.3266			
	0.3246	0.3424		0.3323	0.3329			
	0.3249	0.3344		0.3323	0.3251			
	0.3177	0.3277		0.3256	0.3191			
Reference Range: 5850~6240K			Reference Range: 5500~5850K					

Amber Bin Coordinates

Bin	CIE X	CIE Y
YA	0.5680	0.4315
	0.5634	0.4269
	0.5833	0.4075
	0.5901	0.4094
YB	0.5763	0.4054
	0.5833	0.4075
	0.5634	0.4269
	0.5557	0.4192

AUTOMOTIVE BIN SELECTION

Interior / Sky Blue

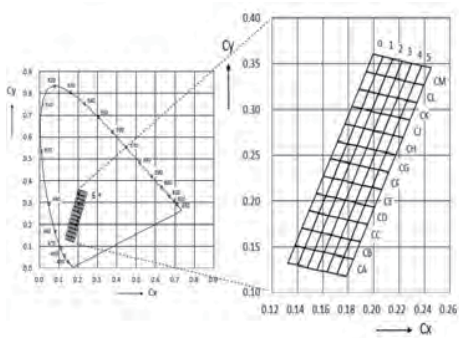


Bin Range of Chromaticity Coordinates Specifications

Bin Code	CIE X	CIE Y	Bin Code	CIE X	CIE Y	Bin Code	CIE X	CIE Y
JA1	0.1600	0.1094	JA9	0.1547	0.0787	JA17	0.1716	0.0960
	0.1650	0.1082		0.1597	0.0775		0.1766	0.0948
	0.1616	0.0984		0.1562	0.0676		0.1731	0.0849
	0.1566	0.0996		0.1512	0.0688		0.1681	0.0861
JA2	0.1566	0.0996	JA10	0.1512	0.0688	JA18	0.1681	0.0861
	0.1616	0.0984		0.1562	0.0676		0.1731	0.0849
	0.1581	0.0885		0.1528	0.0578		0.1697	0.0751
	0.1531	0.0897		0.1478	0.0590		0.1647	0.0763
JA3	0.1531	0.0897	JA11	0.1700	0.1070	JA19	0.1647	0.0763
	0.1581	0.0885		0.1750	0.1058		0.1697	0.0751
	0.1547	0.0787		0.1716	0.0960		0.1662	0.0652
	0.1497	0.0799		0.1666	0.0972		0.1612	0.0664
JA4	0.1497	0.0799	JA12	0.1666	0.0972	JA20	0.1612	0.0664
	0.1547	0.0787		0.1716	0.0960		0.1662	0.0652
	0.1512	0.0688		0.1681	0.0861		0.1628	0.0554
	0.1463	0.0700		0.1631	0.0873		0.1578	0.0566
JA5	0.1463	0.0700	JA13	0.1631	0.0873			
	0.1512	0.0688		0.1681	0.0861			
	0.1478	0.0590		0.1647	0.0763			
	0.1428	0.0602		0.1597	0.0775			
JA6	0.1650	0.1082	JA14	0.1597	0.0775			
	0.1700	0.1070		0.1647	0.0763			
	0.1666	0.0972		0.1612	0.0664			
	0.1616	0.0984		0.1562	0.0676			
JA7	0.1616	0.0984	JA15	0.1562	0.0676			
	0.1666	0.0972		0.1612	0.0664			
	0.1631	0.0873		0.1578	0.0566			
	0.1581	0.0885		0.1528	0.0578			
JA8	0.1581	0.0885	JA16	0.1750	0.1058			
	0.1631	0.0873		0.1800	0.1046			
	0.1597	0.0775		0.1766	0.0948			
	0.1547	0.0787		0.1716	0.0960			

AUTOMOTIVE BIN SELECTION

Interior / Ice Blue



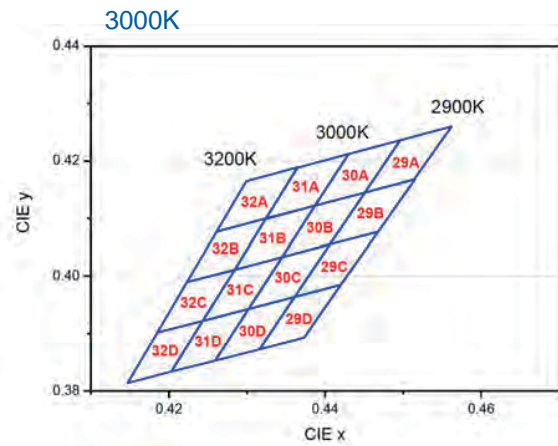
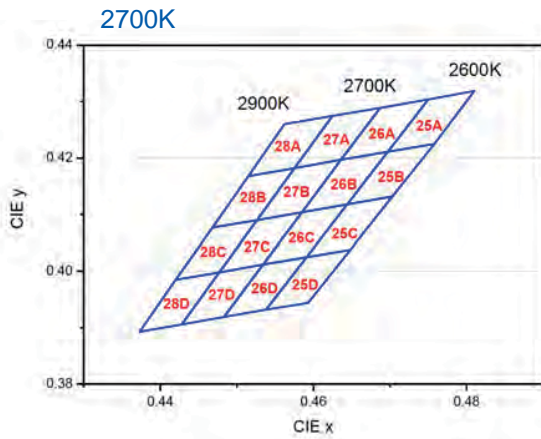
Bin Range of Chromaticity Coordinates Specifications

Bin Code	CIE X	CIE Y	Bin Code	CIE X	CIE Y
CM0	0.1940	0.3415	CL1	0.1960	0.3200
	0.1996	0.3605		0.2016	0.3390
	0.2072	0.3580		0.2092	0.3366
	0.2016	0.3390		0.2036	0.3176
CM1	0.2016	0.3390	CL2	0.2036	0.3176
	0.2072	0.3580		0.2092	0.3366
	0.2148	0.3556		0.2168	0.3341
	0.2092	0.3366		0.2112	0.3151
CM2	0.2092	0.3366	CL3	0.2112	0.3151
	0.2148	0.3556		0.2168	0.3341
	0.2224	0.3531		0.2244	0.3316
	0.2168	0.3341		0.2188	0.3126
CM3	0.2168	0.3341	CL4	0.2188	0.3126
	0.2224	0.3531		0.2244	0.3316
	0.2299	0.3506		0.2319	0.3291
	0.2244	0.3316		0.2264	0.3101
CM4	0.2244	0.3316	CL5	0.2264	0.3101
	0.2299	0.3506		0.2319	0.3291
	0.2375	0.3481		0.2395	0.3267
	0.2319	0.3291		0.2340	0.3077
CM5	0.2319	0.3291	CK0	0.1828	0.3035
	0.2375	0.3481		0.1884	0.3225
	0.2451	0.3457		0.1960	0.3200
	0.2395	0.3267		0.1904	0.3010
CL0	0.1884	0.3225	CK1	0.1904	0.3010
	0.1940	0.3415		0.1960	0.3200
	0.2016	0.3390		0.2036	0.3176
	0.1960	0.3200		0.1980	0.2986

Bin Code	CIE X	CIE Y	Bin Code	CIE X	CIE Y
CK2	0.1980	0.2986	CH1	0.1792	0.2630
	0.2036	0.3176		0.1848	0.2820
	0.2112	0.3151		0.1924	0.2796
	0.2056	0.2961		0.1869	0.2606
CK3	0.2056	0.2961	CH2	0.1869	0.2606
	0.2112	0.3151		0.1924	0.2796
	0.2188	0.3126		0.2000	0.2771
	0.2132	0.2936		0.1945	0.2581
CK4	0.2132	0.2936	CH3	0.1945	0.2581
	0.2188	0.3126		0.2000	0.2771
	0.2264	0.3101		0.2077	0.2746
	0.2208	0.2911		0.2021	0.2556
CK5	0.2208	0.2911	CH4	0.2021	0.2556
	0.2264	0.3101		0.2077	0.2746
	0.2340	0.3077		0.2153	0.2721
	0.2284	0.2887		0.2097	0.2531
CJ0	0.1772	0.2845	CH5	0.2097	0.2531
	0.1828	0.3035		0.2153	0.2721
	0.1904	0.3010		0.2229	0.2697
	0.1848	0.2820		0.2173	0.2507
CJ1	0.1848	0.2820	CG0	0.1660	0.2465
	0.1904	0.3010		0.1716	0.2655
	0.1980	0.2986		0.1792	0.2630
	0.1924	0.2796		0.1736	0.2440
CJ2	0.1924	0.2796	CG1	0.1736	0.2440
	0.1980	0.2986		0.1792	0.2630
	0.2056	0.2961		0.1869	0.2606
	0.2000	0.2771		0.1813	0.2416
CJ3	0.2000	0.2771	CG2	0.1813	0.2416
	0.2056	0.2961		0.1869	0.2606
	0.2132	0.2936		0.1945	0.2581
	0.2077	0.2746		0.1889	0.2391
CJ4	0.2077	0.2746	CG3	0.1889	0.2391
	0.2132	0.2936		0.1945	0.2581
	0.2208	0.2911		0.2021	0.2556
	0.2153	0.2721		0.1965	0.2366
CJ5	0.2153	0.2721	CG4	0.1965	0.2366
	0.2208	0.2911		0.2021	0.2556
	0.2284	0.2887		0.2097	0.2531
	0.2229	0.2697		0.2043	0.2341
CH0	0.1716	0.2655	CG5	0.2043	0.2341
	0.1772	0.2845		0.2097	0.2531
	0.1848	0.2820		0.2173	0.2507
	0.1792	0.2630		0.2118	0.2317

AUTOMOTIVE BIN SELECTION

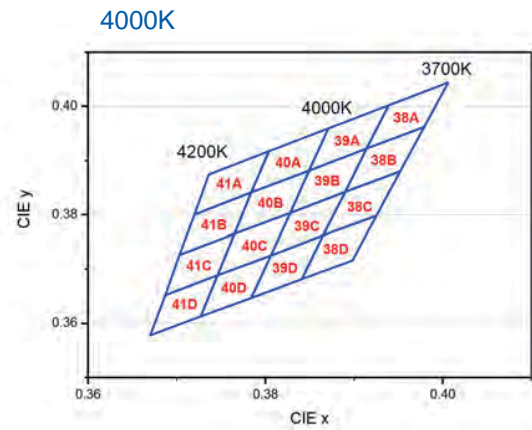
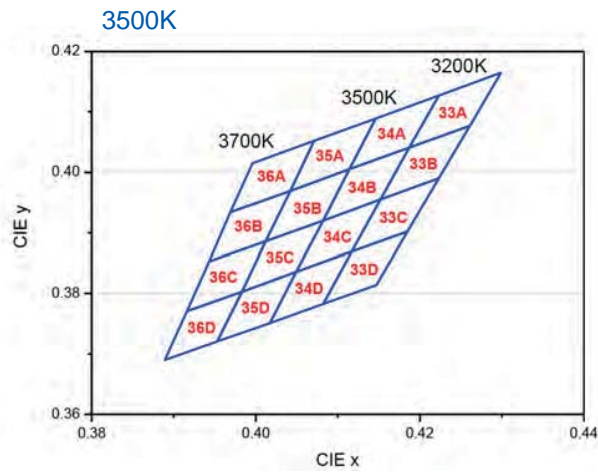
Interior / 5630/2835



Bin Range of Chromaticity Coordinates Specifications

CCT	Bin Code	CIE X	CIE Y	Bin Code	CIE X	CIE Y
2700K	25A	0.4750	0.4304	25B	0.4697	0.4211
		0.4697	0.4211		0.4644	0.4118
		0.4758	0.4225		0.4703	0.4132
		0.4810	0.4319		0.4758	0.4225
	25C	0.4644	0.4118	25D	0.4591	0.4025
		0.4591	0.4025		0.4538	0.3932
		0.4648	0.4038		0.4593	0.3944
		0.4703	0.4132		0.4648	0.4038
	26A	0.4687	0.4289	26B	0.4636	0.4197
		0.4636	0.4197		0.4585	0.4104
		0.4697	0.4211		0.4644	0.4118
		0.4750	0.4304		0.4697	0.4211
	26C	0.4585	0.4104	26D	0.4534	0.4012
		0.4534	0.4012		0.4483	0.3919
		0.4591	0.4025		0.4538	0.3932
		0.4644	0.4118		0.4591	0.4025
	27A	0.4625	0.4275	27B	0.4575	0.4182
		0.4575	0.4182		0.4526	0.4090
		0.4636	0.4197		0.4585	0.4104
		0.4687	0.4289		0.4636	0.4197
	27C	0.4526	0.4090	27D	0.4477	0.3998
		0.4477	0.3998		0.4428	0.3906
		0.4534	0.4012		0.4483	0.3919
		0.4585	0.4104		0.4534	0.4012
	28A	0.4562	0.4260	28B	0.4515	0.4168
		0.4515	0.4168		0.4468	0.4077
		0.4575	0.4182		0.4526	0.4090
		0.4625	0.4275		0.4575	0.4182
28C	0.4468	0.4077	28D	0.4420	0.3985	
	0.4420	0.3985		0.4373	0.3893	
	0.4477	0.3998		0.4428	0.3906	
	0.4526	0.4090		0.4477	0.3998	

CCT	Bin Code	CIE X	CIE Y	Bin Code	CIE X	CIE Y
3000K	29A	0.4496	0.4236	29B	0.4451	0.4145
		0.4451	0.4145		0.4406	0.4055
		0.4514	0.4168		0.4468	0.4077
		0.4562	0.4260		0.4515	0.4168
	29C	0.4406	0.4055	29D	0.4361	0.3964
		0.4361	0.3964		0.4316	0.3873
		0.4420	0.3985		0.4373	0.3893
		0.4468	0.4077		0.4420	0.3985
	30A	0.4430	0.4212	30B	0.4387	0.4122
		0.4387	0.4122		0.4345	0.4033
		0.4451	0.4145		0.4406	0.4055
		0.4496	0.4236		0.4451	0.4145
	30C	0.4345	0.4033	30D	0.4302	0.3943
		0.4302	0.3943		0.4259	0.3853
		0.4361	0.3964		0.4316	0.3873
		0.4406	0.4055		0.4361	0.3964
	31A	0.4364	0.4188	31B	0.4324	0.4100
		0.4324	0.4099		0.4284	0.4011
		0.4387	0.4122		0.4345	0.4033
		0.4430	0.4212		0.4387	0.4122
	31C	0.4284	0.4011	31D	0.4302	0.3943
		0.4243	0.3922		0.4259	0.3853
		0.4302	0.3943		0.4203	0.3834
		0.4345	0.4033		0.4243	0.3922
	32A	0.4299	0.4165	32B	0.4261	0.4077
		0.4261	0.4077		0.4223	0.3990
		0.4324	0.4100		0.4284	0.4011
		0.4365	0.4189		0.4324	0.4100
32C	0.4223	0.3990	32D	0.4243	0.3922	
	0.4185	0.3902		0.4203	0.3834	
	0.4243	0.3922		0.4147	0.3814	
	0.4284	0.4011		0.4185	0.3902	



Bin Range of Chromaticity Coordinates Specifications

Bin Range of Chromaticity Coordinates Specifications

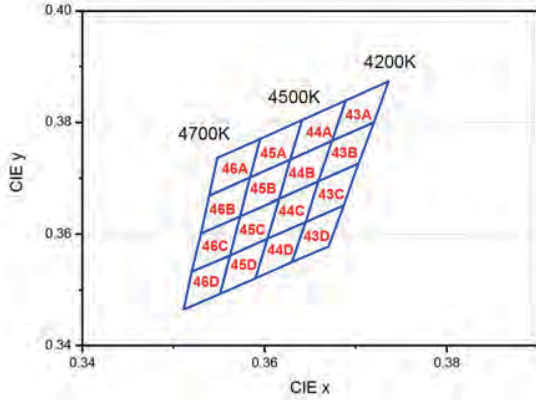
CCT	Bin Code	CIE X	CIE Y	Bin Code	CIE X	CIE Y
3500K	33A	0.4223	0.4127	33B	0.4187	0.4041
		0.4187	0.4041		0.4152	0.3955
		0.4261	0.4077		0.4223	0.3990
		0.4299	0.4165		0.4261	0.4077
	33C	0.4152	0.3955	33D	0.4117	0.3869
		0.4117	0.3869		0.4082	0.3783
		0.4185	0.3902		0.4147	0.3814
		0.4223	0.3990		0.4185	0.3902
	34A	0.4146	0.4089	34B	0.4114	0.4005
		0.4114	0.4005		0.4082	0.3920
		0.4187	0.4041		0.4152	0.3955
		0.4223	0.4127		0.4187	0.4041
	34C	0.4082	0.3920	34D	0.4049	0.3836
		0.4049	0.3836		0.4017	0.3751
		0.4117	0.3869		0.4082	0.3783
		0.4152	0.3955		0.4117	0.3869
	35A	0.4071	0.4052	35B	0.4042	0.3969
		0.4042	0.3969		0.4012	0.3886
		0.4114	0.4005		0.4082	0.3920
		0.4146	0.4089		0.4114	0.4005
	35C	0.4012	0.3886	35D	0.3983	0.3803
		0.3983	0.3803		0.3953	0.3721
		0.4049	0.3836		0.4017	0.3751
		0.4082	0.3920		0.4049	0.3836
	36A	0.3996	0.4015	36B	0.3969	0.3934
		0.3969	0.3934		0.3943	0.3853
		0.4042	0.3969		0.4012	0.3886
		0.4071	0.4052		0.4042	0.3969
	36C	0.3943	0.3853	36D	0.3916	0.3771
		0.3916	0.3771		0.3889	0.3690
		0.3983	0.3803		0.3953	0.3721
		0.4012	0.3886		0.3983	0.3803

CCT	Bin Code	CIE X	CIE Y	Bin Code	CIE X	CIE Y
4000K	38A	0.3939	0.4002	38B	0.3914	0.3922
		0.3914	0.3922		0.3890	0.3842
		0.3979	0.3962		0.3952	0.3880
		0.4006	0.4044		0.3979	0.3962
	38C	0.3890	0.3842	38D	0.3865	0.3762
		0.3865	0.3762		0.3841	0.3682
		0.3925	0.3798		0.3898	0.3716
		0.3952	0.3880		0.3925	0.3798
	39A	0.3871	0.3959	39B	0.3849	0.3881
		0.3849	0.3881		0.3828	0.3803
		0.3914	0.3922		0.3890	0.3842
		0.3939	0.4002		0.3914	0.3922
	39C	0.3828	0.3803	39D	0.3806	0.3725
		0.3806	0.3725		0.3784	0.3647
		0.3865	0.3762		0.3841	0.3682
		0.3890	0.3842		0.3865	0.3762
	40A	0.3804	0.3917	40B	0.3784	0.3841
		0.3784	0.3841		0.3765	0.3765
		0.3849	0.3881		0.3828	0.3803
		0.3871	0.3959		0.3849	0.3881
	40C	0.3765	0.3765	40D	0.3746	0.3689
		0.3746	0.3689		0.3727	0.3613
		0.3806	0.3725		0.3784	0.3647
		0.3828	0.3803		0.3806	0.3725
41A	0.3736	0.3874	41B	0.3720	0.3800	
	0.3720	0.3800		0.3703	0.3726	
	0.3784	0.3841		0.3765	0.3765	
	0.3804	0.3917		0.3784	0.3841	
41C	0.3703	0.3726	41D	0.3687	0.3652	
	0.3687	0.3652		0.3670	0.3578	
	0.3746	0.3689		0.3727	0.3613	
	0.3765	0.3765		0.3746	0.3689	

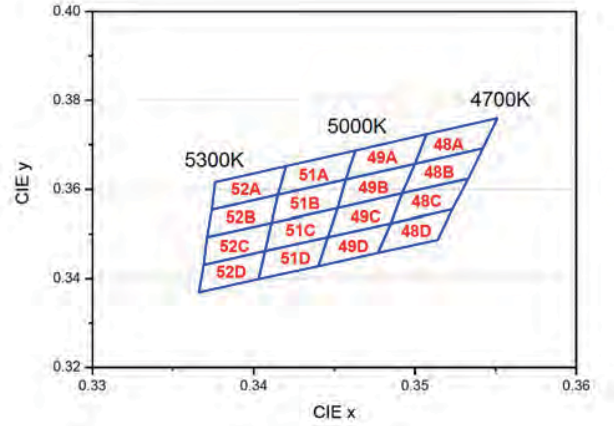
AUTOMOTIVE BIN SELECTION

Interior / 5630/2835

4500K

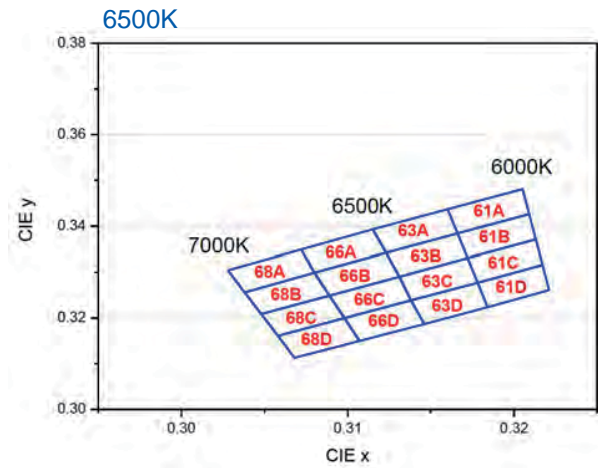
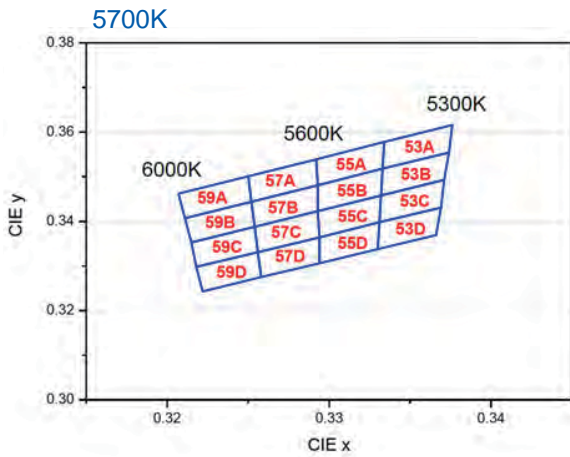


5000K



CCT	Bin Code	CIE X	CIE Y	Bin Code	CIE X	CIE Y
4500K	43A	0.3689	0.3839	43B	0.3674	0.3767
		0.3674	0.3767		0.3659	0.3694
		0.3720	0.3800		0.3703	0.3726
		0.3736	0.3874		0.3720	0.3800
	43C	0.3659	0.3694	43D	0.3645	0.3622
		0.3645	0.3622		0.3630	0.3550
		0.3687	0.3652		0.3670	0.3578
		0.3703	0.3726		0.3687	0.3652
	44A	0.3641	0.3804	44B	0.3628	0.3733
		0.3628	0.3733		0.3616	0.3663
		0.3674	0.3767		0.3659	0.3694
		0.3689	0.3839		0.3674	0.3767
	44C	0.3616	0.3663	44D	0.3603	0.3592
		0.3603	0.3592		0.3590	0.3521
		0.3645	0.3622		0.3630	0.3550
		0.3659	0.3694		0.3645	0.3622
	45A	0.3595	0.3770	45B	0.3584	0.3701
		0.3584	0.3701		0.3573	0.3632
		0.3628	0.3733		0.3616	0.3663
		0.3641	0.3804		0.3628	0.3733
	45C	0.3573	0.3632	45D	0.3562	0.3562
		0.3562	0.3562		0.3551	0.3493
		0.3603	0.3592		0.3590	0.3521
		0.3616	0.3663		0.3603	0.3592
	46A	0.3548	0.3736	46B	0.3539	0.3668
		0.3539	0.3668		0.3530	0.3601
		0.3584	0.3701		0.3573	0.3632
		0.3595	0.3770		0.3584	0.3701
	46C	0.3530	0.3601	46D	0.3520	0.3533
		0.3520	0.3533		0.3511	0.3465
		0.3562	0.3562		0.3551	0.3493
		0.3573	0.3632		0.3562	0.3562

CCT	Bin Code	CIE X	CIE Y	Bin Code	CIE X	CIE Y
5000K	48A	0.3507	0.3724	48B	0.3500	0.3657
		0.3500	0.3657		0.3492	0.3591
		0.3542	0.3692		0.3533	0.3624
		0.3551	0.3760		0.3542	0.3692
	48C	0.3492	0.3591	48D	0.3485	0.3524
		0.3485	0.3524		0.3477	0.3458
		0.3523	0.3555		0.3514	0.3487
		0.3533	0.3624		0.3523	0.3555
	49A	0.3463	0.3687	49B	0.3457	0.3622
		0.3457	0.3622		0.3452	0.3558
		0.3500	0.3657		0.3492	0.3591
		0.3507	0.3724		0.3500	0.3657
	49C	0.3452	0.3558	49D	0.3446	0.3493
		0.3446	0.3493		0.3440	0.3428
		0.3485	0.3524		0.3477	0.3458
		0.3492	0.3591		0.3485	0.3524
	51A	0.3420	0.3652	51B	0.3415	0.3588
		0.3415	0.3588		0.3411	0.3525
		0.3457	0.3622		0.3452	0.3558
		0.3463	0.3687		0.3457	0.3622
	51C	0.3411	0.3525	51D	0.3407	0.3462
		0.3407	0.3462		0.3403	0.3399
		0.3446	0.3493		0.3440	0.3428
		0.3452	0.3558		0.3446	0.3493
	52A	0.3376	0.3616	52B	0.3374	0.3554
		0.3374	0.3554		0.3371	0.3493
		0.3415	0.3588		0.3411	0.3525
		0.3420	0.3652		0.3415	0.3588
	52C	0.3371	0.3493	52D	0.3369	0.3431
		0.3369	0.3431		0.3366	0.3369
		0.3407	0.3462		0.3403	0.3399
		0.3411	0.3525		0.3407	0.3462



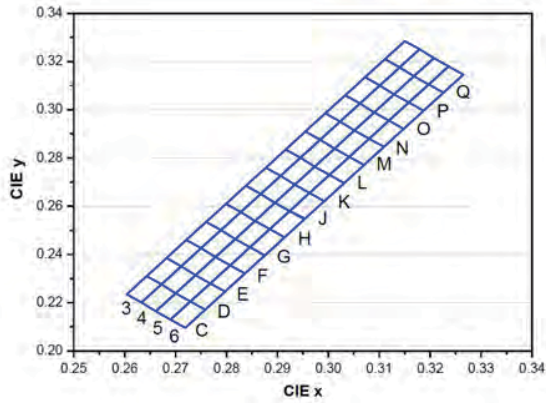
Bin Range of Chromaticity Coordinates Specifications

CCT	Bin Code	CIE X	CIE Y	Bin Code	CIE X	CIE Y
5700K	53A	0.3334	0.3578	53B	0.3333	0.3518
		0.3333	0.3518		0.3332	0.3458
		0.3374	0.3554		0.3371	0.3493
		0.3376	0.3616		0.3374	0.3554
	53C	0.3332	0.3458	53D	0.3331	0.3398
		0.3331	0.3398		0.3330	0.3338
		0.3369	0.3431		0.3366	0.3369
		0.3371	0.3493		0.3369	0.3431
	55A	0.3292	0.3539	55B	0.3293	0.3481
		0.3293	0.3481		0.3293	0.3423
		0.3333	0.3518		0.3332	0.3458
		0.3334	0.3578		0.3333	0.3518
	55C	0.3293	0.3423	55D	0.3294	0.3364
		0.3294	0.3364		0.3294	0.3306
		0.3331	0.3398		0.3330	0.3338
		0.3332	0.3458		0.3331	0.3398
	57A	0.3250	0.3501	57B	0.3252	0.3444
		0.3252	0.3444		0.3254	0.3388
		0.3293	0.3481		0.3293	0.3423
		0.3292	0.3539		0.3293	0.3481
	57C	0.3254	0.3388	57D	0.3256	0.3331
		0.3256	0.3331		0.3258	0.3275
		0.3294	0.3364		0.3294	0.3306
		0.3293	0.3423		0.3294	0.3364
	59A	0.3207	0.3462	59B	0.3211	0.3407
		0.3211	0.3407		0.3215	0.3353
		0.3252	0.3444		0.3254	0.3388
		0.3250	0.3501		0.3252	0.3444
	59C	0.3215	0.3353	59D	0.3218	0.3298
		0.3218	0.3298		0.3222	0.3243
		0.3256	0.3331		0.3258	0.3275
		0.3254	0.3388		0.3256	0.3331

CCT	Bin Code	CIE X	CIE Y	Bin Code	CIE X	CIE Y
6500K	61A	0.3160	0.3437	61B	0.3166	0.3384
		0.3166	0.3384		0.3172	0.3331
		0.3209	0.3426		0.3213	0.3371
		0.3205	0.3481		0.3209	0.3426
		0.3172	0.3331		0.3178	0.3277
	61C	0.3178	0.3277	61D	0.3184	0.3224
		0.3217	0.3316		0.3221	0.3261
		0.3213	0.3371		0.3217	0.3316
		0.3115	0.3393		0.3123	0.3342
	63A	0.3123	0.3342	63B	0.3131	0.3290
		0.3166	0.3384		0.3172	0.3331
		0.3160	0.3437		0.3166	0.3384
	63C	0.3131	0.3290	63D	0.3138	0.3239
		0.3138	0.3239		0.3146	0.3187
		0.3178	0.3277		0.3184	0.3224
		0.3172	0.3331		0.3178	0.3277
	66A	0.3072	0.3349	66B	0.3080	0.3299
		0.3080	0.3299		0.3089	0.3249
		0.3123	0.3342		0.3131	0.3290
		0.3115	0.3393		0.3123	0.3342
	66C	0.3089	0.3249	66D	0.3098	0.3200
		0.3098	0.3200		0.3107	0.3150
		0.3138	0.3239		0.3146	0.3187
		0.3131	0.3290		0.3138	0.3239
	68A	0.3028	0.3304	68B	0.3038	0.3256
		0.3038	0.3256		0.3048	0.3209
		0.3080	0.3299		0.3089	0.3249
		0.3072	0.3349		0.3080	0.3299
	68C	0.3048	0.3209	68D	0.3058	0.3161
		0.3058	0.3161		0.3068	0.3113
		0.3098	0.3200		0.3107	0.3150
		0.3089	0.3249		0.3098	0.3200

AUTOMOTIVE BIN SELECTION

Interior / Backlight



Bin Range of Chromaticity Coordinates Specifications

Bin Code	CIE X	CIE Y	Bin Code	CIE X	CIE Y
Q3	0.3140	0.3176	J3	0.2867	0.2651
	0.3111	0.3210		0.2838	0.2685
	0.3150	0.3285		0.2877	0.2760
	0.3179	0.3251		0.2906	0.2726
P3	0.3101	0.3101	Q4	0.3168	0.3139
	0.3072	0.3135		0.3140	0.3176
	0.3111	0.3210		0.3179	0.3251
	0.3140	0.3176		0.3207	0.3214
O3	0.3062	0.3026	P4	0.3129	0.3064
	0.3033	0.3060		0.3101	0.3101
	0.3072	0.3135		0.3140	0.3176
	0.3101	0.3101		0.3168	0.3139
N3	0.3023	0.2951	O4	0.3090	0.2989
	0.2994	0.2985		0.3062	0.3026
	0.3033	0.3060		0.3101	0.3101
	0.3062	0.3026		0.3129	0.3064
M3	0.2984	0.2876	N4	0.3051	0.2914
	0.2955	0.2910		0.3023	0.2951
	0.2994	0.2985		0.3062	0.3026
	0.3023	0.2951		0.3090	0.2989
L3	0.2945	0.2801	M4	0.3012	0.2839
	0.2916	0.2835		0.2984	0.2876
	0.2955	0.2910		0.3023	0.2951
	0.2984	0.2876		0.3051	0.2914
K3	0.2906	0.2726	L4	0.2973	0.2764
	0.2877	0.2760		0.2945	0.2801
	0.2916	0.2835		0.2984	0.2876
	0.2945	0.2801		0.3012	0.2839

Bin Code	CIE X	CIE Y	Bin Code	CIE X	CIE Y
K4	0.2934	0.2689	P6	0.3187	0.2996
	0.2906	0.2726		0.3158	0.3030
	0.2945	0.2801		0.3197	0.3105
	0.2973	0.2764		0.3226	0.3071
J4	0.2895	0.2614	O6	0.3148	0.2921
	0.2867	0.2651		0.3119	0.2955
	0.2906	0.2726		0.3158	0.3030
	0.2934	0.2689		0.3187	0.2996
Q5	0.3197	0.3105	N6	0.3109	0.2846
	0.3168	0.3139		0.3080	0.2880
	0.3207	0.3214		0.3119	0.2955
	0.3236	0.3180		0.3148	0.2921
P5	0.3158	0.3030	M6	0.3070	0.2771
	0.3129	0.3064		0.3041	0.2805
	0.3168	0.3139		0.3080	0.2880
	0.3197	0.3105		0.3109	0.2846
O5	0.3119	0.2955	L6	0.3031	0.2696
	0.3090	0.2989		0.3002	0.2730
	0.3129	0.3064		0.3041	0.2805
	0.3158	0.3030		0.3070	0.2771
N5	0.3080	0.2880	K6	0.2992	0.2621
	0.3051	0.2914		0.2963	0.2655
	0.3090	0.2989		0.3002	0.2730
	0.3119	0.2955		0.3031	0.2696
M5	0.3041	0.2805	J6	0.2953	0.2546
	0.3012	0.2839		0.2924	0.2580
	0.3051	0.2914		0.2963	0.2655
	0.3080	0.2880		0.2992	0.2621
L5	0.3002	0.2730	H3	0.2828	0.2576
	0.2973	0.2764		0.2799	0.2610
	0.3012	0.2839		0.2838	0.2685
	0.3041	0.2805		0.2867	0.2651
K5	0.2963	0.2655	G3	0.2789	0.2501
	0.2934	0.2689		0.2760	0.2535
	0.2973	0.2764		0.2799	0.2610
	0.3002	0.2730		0.2828	0.2576
J5	0.2924	0.2580	F3	0.2750	0.2426
	0.2895	0.2614		0.2721	0.2460
	0.2934	0.2689		0.2760	0.2535
	0.2963	0.2655		0.2789	0.2501
Q6	0.3226	0.3071	E3	0.2711	0.2351
	0.3197	0.3105		0.2682	0.2385
	0.3236	0.3180		0.2721	0.2460
	0.3265	0.3146		0.2750	0.2426

Bin Code	CIE X	CIE Y	Bin Code	CIE X	CIE Y
D3	0.2672	0.2276	E5	0.2768	0.2280
	0.2643	0.2310		0.2739	0.2314
	0.2682	0.2385		0.2778	0.2389
	0.2711	0.2351		0.2807	0.2355
C3	0.2633	0.2201	D5	0.2729	0.2205
	0.2604	0.2235		0.2700	0.2239
	0.2643	0.2310		0.2739	0.2314
	0.2672	0.2276		0.2768	0.2280
H4	0.2856	0.2539	C5	0.2690	0.2130
	0.2828	0.2576		0.2661	0.2164
	0.2867	0.2651		0.2700	0.2239
	0.2895	0.2614		0.2729	0.2205
G4	0.2817	0.2464	H6	0.2914	0.2471
	0.2789	0.2501		0.2885	0.2505
	0.2828	0.2576		0.2924	0.2580
	0.2856	0.2539		0.2953	0.2546
F4	0.2778	0.2389	G6	0.2875	0.2396
	0.2750	0.2426		0.2846	0.2430
	0.2789	0.2501		0.2885	0.2505
	0.2817	0.2464		0.2914	0.2471
E4	0.2739	0.2314	F6	0.2836	0.2321
	0.2711	0.2351		0.2807	0.2355
	0.2750	0.2426		0.2846	0.2430
	0.2778	0.2389		0.2875	0.2396
D4	0.2700	0.2239	E6	0.2797	0.2246
	0.2672	0.2276		0.2768	0.2280
	0.2711	0.2351		0.2807	0.2355
	0.2739	0.2314		0.2836	0.2321
C4	0.2661	0.2164	D6	0.2758	0.2171
	0.2633	0.2201		0.2729	0.2205
	0.2672	0.2276		0.2768	0.2280
	0.2700	0.2239		0.2797	0.2246
H5	0.2885	0.2505	C6	0.2719	0.2096
	0.2856	0.2539		0.2690	0.2130
	0.2895	0.2614		0.2729	0.2205
	0.2924	0.2580		0.2758	0.2171
G5	0.2846	0.2430			
	0.2817	0.2464			
	0.2856	0.2539			
	0.2885	0.2505			
F5	0.2807	0.2355			
	0.2778	0.2389			
	0.2817	0.2464			
	0.2846	0.2430			

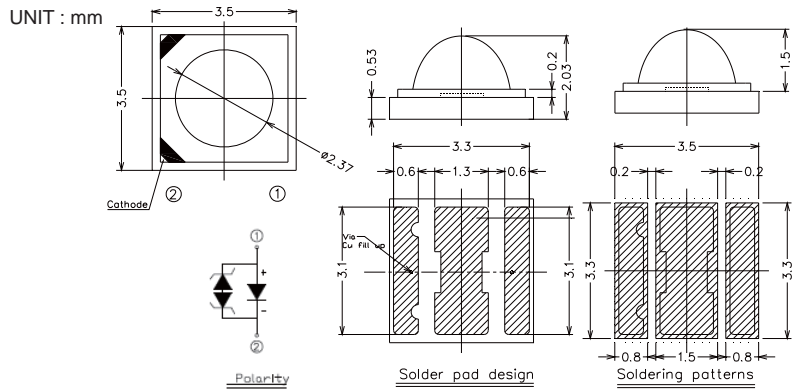


VISIBLE LED

- 48** HIGH POWER LED
- 51** DRIVER ON BOARD
- 53** CHIP ON BOARD
- 66** LOW MIDDLE POWER LED
- 77** UV
- 82** FLASH LED
- 88** SMD LED
- 119** LED LAMPS
- 131** LED DIGITAL DISPLAYS
- 145** SIGNAGE LED
- 153** AUTOMOTIVE LED
- 164** BACKLIGHTING LED

High Power LED | Shwo/Monochromatic LED

High Power LED



1W / 3V / 350mA

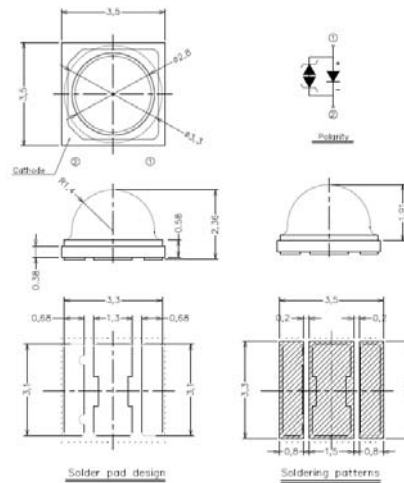
Product	Size (LxWxHmm)	Forward Voltage (V)	Forward Current(mA)	Color	Wavelength (nm)	Luminous Flux/ Radiometric Power (lm/mW)	CRI (min.)
ELSW-Q91F1-0EPNM-HF3F8*	3.5x3.5x2.03	1.6~2.65	350	● Far Red	715~745	275 mW	-
ELSW-Q81F1-0EPNM-HF3F8	3.5x3.5x2.03	1.6~2.65	350	● Far Red	715~745	225 mW	-
ELSW-R21E1-0EPNM-AD3D8*	3.5x3.5x2.03	1.75~2.95	350	● Deep Red	645~675	380 mW	-
ELSW-R11E1-0EPNM-AD3D8	3.5x3.5x2.03	1.75~2.95	350	● Deep Red	645~675	330 mW	-
ELSW-F61R1-0PPNM-AR5R6	3.5x3.5x2.03	1.75~2.95	350	● Red	620~630	60 lm	-
ELSW-F91O1-0EPNM-AR3R4*	3.5x3.5x2.03	1.75~2.95	350	● Orange	610~620	90 lm	-
ELSW-F81O1-0EPNM-AR3R4	3.5x3.5x2.03	1.75~2.95	350	● Orange	610~620	80 lm	-
ELSW-F61Y1-0EPNM-AA3A*	3.5x3.5x2.03	1.75~2.95	350	● Amber	585~595	60 lm	-
ELSW-F51Y1-0EPNM-AA3A6	3.5x3.5x2.03	1.75~2.95	350	● Amber	585~595	52 lm	-
ELSW-J31G1-0LPNM-CG1G2*	3.5x3.5x2.03	2.65~3.85	350	● Green	520~530	120 lm	-
ELSW-J21G1-0LPNM-CG1G2	3.5x3.5x2.03	2.65~3.85	350	● Green	520~530	110 lm	-
ELSW-E91B1-0EPNM-CB7B8	3.5x3.5x2.03	2.65~3.85	350	● Blue	460~470	23 lm	-
ELSW-R51L1-0EPNM-CB4B6*	3.5x3.5x2.03	2.65~3.85	350	● Royal Blue	445~460	530 mW	-
ELSW-R41L1-0EPNM-CB4B6	3.5x3.5x2.03	2.65~3.85	350	● Royal Blue	445~460	480 mW	-

Star mark * : *Product lead time of at least 8 weeks.

High Power LED | Shwo (F)



UNIT : mm



1W / 3V / 350mA

Product	Size (LxWxHmm)	Forward Voltage(V)	Forward Current(mA)	Color	CCT (K)	Luminous Flux (Min.)	Luminous Flux (TYP)	CRI (min.)
ELSWF-JH1C1-5FPGS-C6500	3.5x3.5x2.36	2.65~3.55	350	○ Cool White	6500	150	165	70
ELSWF-J71C1-5FPGS-C6500	3.5x3.5x2.36	2.65~3.55	350	○ Cool White	6500	145	160	70
ELSWF-J61C1-5FPHS-C6500	3.5x3.5x2.36	2.65~3.55	350	○ Cool White	6500	135	149	80
ELSWF-JH1C1-5FPGS-C5700	3.5x3.5x2.36	2.65~3.55	350	○ Cool White	5700	150	165	70
ELSWF-J71C1-5FPGS-C5700	3.5x3.5x2.36	2.65~3.55	350	○ Cool White	5700	145	160	70
ELSWF-J61C1-5FPHS-C5700	3.5x3.5x2.36	2.65~3.55	350	○ Cool White	5700	135	149	80
ELSWF-JH1C1-5FPGS-C5000	3.5x3.5x2.36	2.65~3.55	350	○ Cool White	5000	150	165	70
ELSWF-J71C1-5FPGS-C5000	3.5x3.5x2.36	2.65~3.55	350	○ Cool White	5000	145	160	70
ELSWF-J61C1-5FPHS-C5000	3.5x3.5x2.36	2.65~3.55	350	○ Cool White	5000	135	149	80
ELSWF-J61N1-5FPGS-C4000	3.5x3.5x2.36	2.65~3.55	350	○ Neutral White	4000	135	149	70
ELSWF-J51N1-5FPHS-C4000	3.5x3.5x2.36	2.65~3.55	350	○ Neutral White	4000	126	139	80
ELSWF-J41M1-5FPHS-C3500	3.5x3.5x2.36	2.65~3.55	350	● Warm White	3500	117	129	80
ELSWF-J41M1-5FPHS-C3000	3.5x3.5x2.36	2.65~3.55	350	● Warm White	3000	117	129	80
ELSWF-J41M1-5FPHS-C2700	3.5x3.5x2.36	2.65~3.55	350	● Warm White	2700	117	129	80

3W / 3V / 700mA

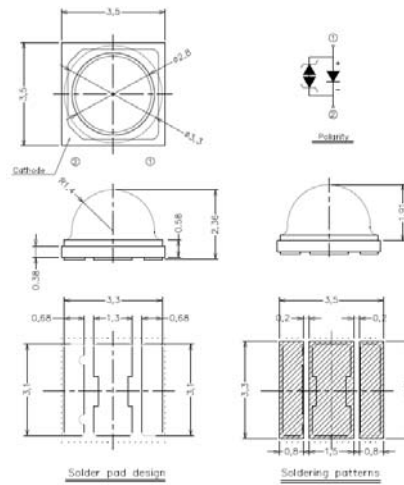
Product	Size (LxWxHmm)	Forward Voltage(V)	Forward Current(mA)	Color	CCT (K)	Luminous Flux (Min.)	Luminous Flux (TYP)	CRI (min.)
ELSWF-JH1C1-5FPGS-C6500	3.5x3.5x2.36	2.65~3.55	700	○ Cool White	6500	276	304	70
ELSWF-J71C1-5FPGS-C6500	3.5x3.5x2.36	2.65~3.55	700	○ Cool White	6500	260	286	70
ELSWF-J61C1-5FPHS-C6500	3.5x3.5x2.36	2.65~3.55	700	○ Cool White	6500	251	276	80
ELSWF-JH1C1-5FPGS-C5700	3.5x3.5x2.36	2.65~3.55	700	○ Cool White	5700	276	304	70
ELSWF-J71C1-5FPGS-C5700	3.5x3.5x2.36	2.65~3.55	700	○ Cool White	5700	260	286	70
ELSWF-J61C1-5FPHS-C5700	3.5x3.5x2.36	2.65~3.55	700	○ Cool White	5700	251	276	80
ELSWF-JH1C1-5FPGS-C5000	3.5x3.5x2.36	2.65~3.55	700	○ Cool White	5000	276	304	70
ELSWF-J71C1-5FPGS-C5000	3.5x3.5x2.36	2.65~3.55	700	○ Cool White	5000	260	286	70
ELSWF-J61C1-5FPHS-C5000	3.5x3.5x2.36	2.65~3.55	700	○ Cool White	5000	251	276	80
ELSWF-J61N1-5FPGS-C4000	3.5x3.5x2.36	2.65~3.55	700	○ Neutral White	4000	251	276	70
ELSWF-J51N1-5FPHS-C4000	3.5x3.5x2.36	2.65~3.55	700	○ Neutral White	4000	234	257	80
ELSWF-J41M1-5FPHS-C3500	3.5x3.5x2.36	2.65~3.55	700	● Warm White	3500	218	240	80
ELSWF-J41M1-5FPHS-C3000	3.5x3.5x2.36	2.65~3.55	700	● Warm White	3000	218	240	80
ELSWF-J41M1-5FPHS-C2700	3.5x3.5x2.36	2.65~3.55	700	● Warm White	2700	218	240	80

High Power LED | Shwo (F)

High Power LED



UNIT : mm



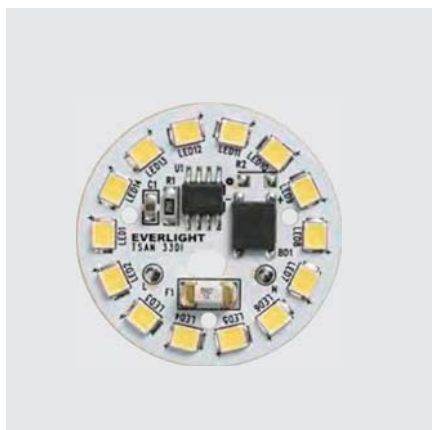
4W / 3V / 1000mA

Product	Size (LxWxHmm)	Forward Voltage(V)	Forward Current(mA)	Color	CCT (K)	Luminous Flux (Min.)	Luminous Flux (TYP)	CRI (min.)
ELSWF-JH1C1-5FPGS-C6500	3.5x3.5x2.36	2.65~3.55	1000	○ Cool White	6500	374	411	70
ELSWF-J71C1-5FPGS-C6500	3.5x3.5x2.36	2.65~3.55	1000	○ Cool White	6500	345	380	70
ELSWF-J61C1-5FPHS-C6500	3.5x3.5x2.36	2.65~3.55	1000	○ Cool White	6500	340	374	80
ELSWF-JH1C1-5FPGS-C5700	3.5x3.5x2.36	2.65~3.55	1000	○ Cool White	5700	374	411	70
ELSWF-J71C1-5FPGS-C5700	3.5x3.5x2.36	2.65~3.55	1000	○ Cool White	5700	345	380	70
ELSWF-J61C1-5FPHS-C5700	3.5x3.5x2.36	2.65~3.55	1000	○ Cool White	5700	340	374	80
ELSWF-JH1C1-5FPGS-C5000	3.5x3.5x2.36	2.65~3.55	1000	○ Cool White	5000	374	411	70
ELSWF-J71C1-5FPGS-C5000	3.5x3.5x2.36	2.65~3.55	1000	○ Cool White	5000	345	380	70
ELSWF-J61C1-5FPHS-C5000	3.5x3.5x2.36	2.65~3.55	1000	○ Cool White	5000	340	374	80
ELSWF-J61N1-5FPGS-C4000	3.5x3.5x2.36	2.65~3.55	1000	○ Neutral White	4000	340	374	70
ELSWF-J51N1-5FPHS-C4000	3.5x3.5x2.36	2.65~3.55	1000	○ Neutral White	4000	318	350	80
ELSWF-J41M1-5FPHS-C3500	3.5x3.5x2.36	2.65~3.55	1000	○ Warm White	3500	295	325	80
ELSWF-J41M1-5FPHS-C3000	3.5x3.5x2.36	2.65~3.55	1000	○ Warm White	3000	295	325	80
ELSWF-J41M1-5FPHS-C2700	3.5x3.5x2.36	2.65~3.55	1000	○ Warm White	2700	295	325	80

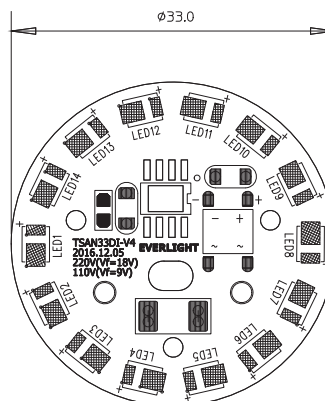
5W / 3V / 1500mA

Product	Size (LxWxHmm)	Forward Voltage(V)	Forward Current(mA)	Color	CCT (K)	Luminous Flux (Min.)	Luminous Flux (TYP)	CRI (min.)
ELSWF-JH1C1-5FPGS-C6500	3.5x3.5x2.36	2.65~3.55	1500	○ Cool White	6500	495	545	70
ELSWF-J71C1-5FPGS-C6500	3.5x3.5x2.36	2.65~3.55	1500	○ Cool White	6500	480	528	70
ELSWF-J61C1-5FPHS-C6500	3.5x3.5x2.36	2.65~3.55	1500	○ Cool White	6500	446	491	80
ELSWF-JH1C1-5FPGS-C5700	3.5x3.5x2.36	2.65~3.55	1500	○ Cool White	5700	495	545	70
ELSWF-J71C1-5FPGS-C5700	3.5x3.5x2.36	2.65~3.55	1500	○ Cool White	5700	480	528	70
ELSWF-J61C1-5FPHS-C5700	3.5x3.5x2.36	2.65~3.55	1500	○ Cool White	5700	446	491	80
ELSWF-JH1C1-5FPGS-C5000	3.5x3.5x2.36	2.65~3.55	1500	○ Cool White	5000	495	545	70
ELSWF-J71C1-5FPGS-C5000	3.5x3.5x2.36	2.65~3.55	1500	○ Cool White	5000	480	528	70
ELSWF-J61C1-5FPHS-C5000	3.5x3.5x2.36	2.65~3.55	1500	○ Cool White	5000	446	491	80
ELSWF-J61N1-5FPGS-C4000	3.5x3.5x2.36	2.65~3.55	1500	○ Neutral White	4000	446	491	70
ELSWF-J51N1-5FPHS-C4000	3.5x3.5x2.36	2.65~3.55	1500	○ Neutral White	4000	416	458	80
ELSWF-J41M1-5FPHS-C3500	3.5x3.5x2.36	2.65~3.55	1500	○ Warm White	3500	386	425	80
ELSWF-J41M1-5FPHS-C3000	3.5x3.5x2.36	2.65~3.55	1500	○ Warm White	3000	386	425	80
ELSWF-J41M1-5FPHS-C2700	3.5x3.5x2.36	2.65~3.55	1500	○ Warm White	2700	386	425	80

Driver on Board | TSAN33DI



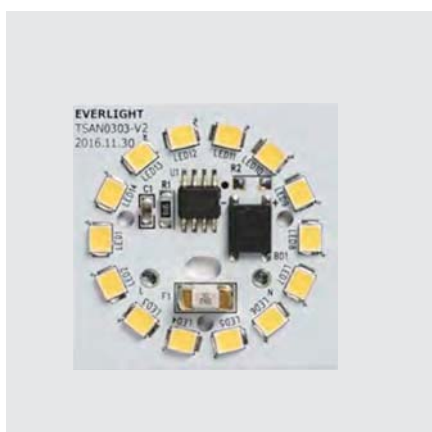
UNIT : mm



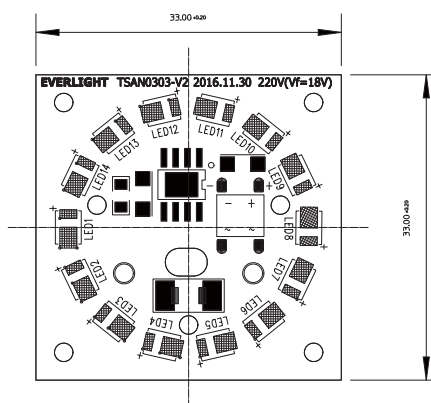
8W

Product	Diameter (mm)	CCT (K)	Flux (lm)	CRI (Ra)	SDCM	Dimming
TSAN33DI-M-K277-EU008-D001T	33x33	2700	720	Typ. 80	7	Non-dimmable
TSAN33DI-M-K307-EU008-D001T		3000				
TSAN33DI-M-K407-EU008-D001T		4000				
TSAN33DI-M-K507-EU008-E001T		5000	800			
TSAN33DI-M-K577-EU008-E001T		5700				
TSAN33DI-M-K657-EU008-E001T		6500				

Driver on Board | TSAN0303



UNIT : mm



10W

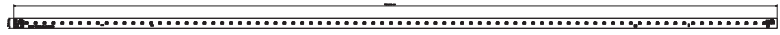
Product	Diameter (mm)	CCT (K)	Flux (lm)	CRI (Ra)	SDCM	Dimming
TSAN0303-M-K277-EU010-D001T	33x33	2700	900	Typ. 80	7	Non-dimmable
TSAN0303-M-K307-EU010-D001T		3000				
TSAN0303-M-K407-EU010-D001T		4000				
TSAN0303-M-K507-EU010-E001T		5000	1,000			
TSAN0303-M-K577-EU010-E001T		5700				
TSAN0303-M-K657-EU010-E001T		6500				

Driver on Board

Driver on Board | TSAN4FFA



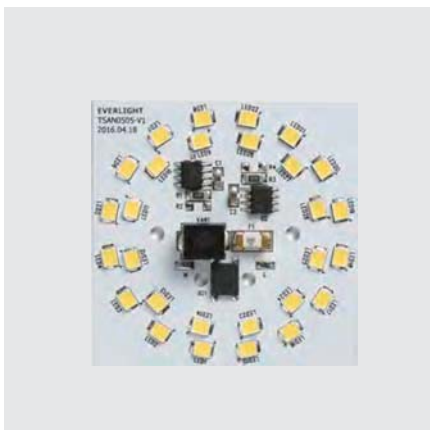
UNIT : mm



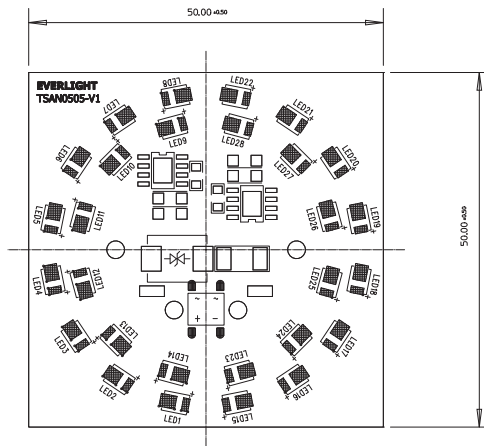
16W

Product	Diameter (mm)	CCT (K)	Flux (lm)	CRI (Ra)	SDCM	Dimming
TSAN4FFA-M-K277-EU016-E001C	1160x15	2700	1,680	Typ. 80	7	Non-dimmable
TSAN4FFA-M-K307-EU016-E001C		3000				
TSAN4FFA-M-K407-EU016-E001C		4000				
TSAN4FFA-M-K507-EU016-F001C		5000	1,840			
TSAN4FFA-M-K577-EU016-F001C		5700				
TSAN4FFA-M-K657-EU016-F001C		6500				

Driver on Board | TSAN0505



UNIT : mm



25W

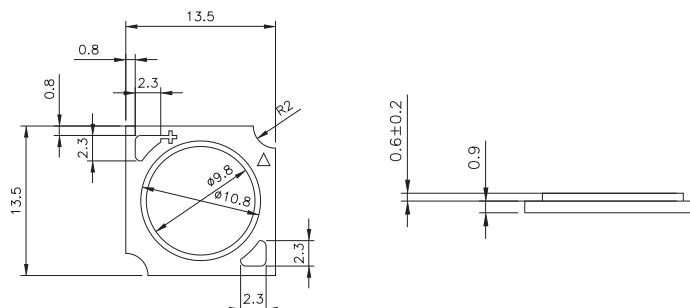
Product	Diameter (mm)	CCT (K)	Flux (lm)	CRI (Ra)	SDCM	Dimming
TSAN0505-M-K277-EU016-D001T	50x50	2700	2,250	Typ. 80	7	Non-dimmable
TSAN0505-M-K307-EU016-D001T		3000				
TSAN0505-M-K407-EU016-D001T		4000				
TSAN0505-M-K507-EU016-E001T		5000	2,500			
TSAN0505-M-K577-EU016-E001T		5700				
TSAN0505-M-K657-EU016-E001T		6500				

Driver on Board

Chip on Board | Xuan1313



UNIT : mm



3W / 36V / 90mA

Product	Size (LxWxHmm)	Forward Voltage (V)	Forward Current (mA)	Color	CCT (K)	Luminous Flux (lm)		CRI (min.)	Luminous Efficacy (lm/W)
						Min.	TYP		
GXUAN1313-KM27327-36103-492T	13.5x13.5x1.5	31.0~37.0	90	● Warm White	2700	358	398	80	128
GXUAN1313-KM30330-36103-492T	13.5x13.5x1.5	31.0~37.0	90	● Warm White	3000	380	422	80	136
GXUAN1313-KM35335-36103-492T	13.5x13.5x1.5	31.0~37.0	90	● Warm White	3500	392	435	80	140
GXUAN1313-KM40340-36103-492T	13.5x13.5x1.5	31.0~37.0	90	○ Neutral White	4000	398	442	80	142
GXUAN1313-KT50550-36103-492T	13.5x13.5x1.5	31.0~37.0	90	○ Cool White	5000	411	457	80	147
GXUAN1313-KT57557-36103-492T	13.5x13.5x1.5	31.0~37.0	90	○ Cool White	5700	416	462	80	148
GXUAN1313-KT65565-36103-492T	13.5x13.5x1.5	31.0~37.0	90	○ Cool White	6500	416	462	80	148
GXUAN1313-PM27327-36103-492T	13.5x13.5x1.5	31.0~37.0	90	● Warm White	2700	313	348	90	112
GXUAN1313-PM30330-36103-492T	13.5x13.5x1.5	31.0~37.0	90	● Warm White	3000	335	372	90	119
GXUAN1313-PM35335-36103-492T	13.5x13.5x1.5	31.0~37.0	90	● Warm White	3500	340	377	90	121
GXUAN1313-PM40340-36103-492T	13.5x13.5x1.5	31.0~37.0	90	○ Neutral White	4000	348	387	90	124

6W / 36V / 180mA

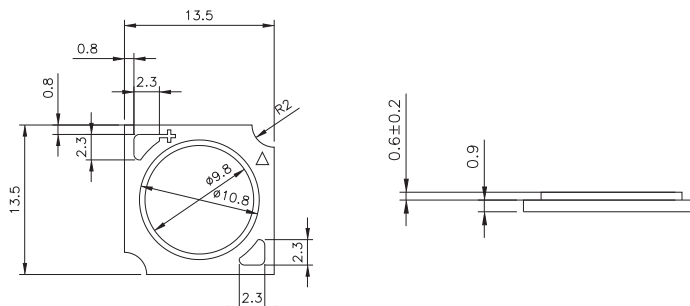
Product	Size (LxWxHmm)	Forward Voltage (V)	Forward Current (mA)	Color	CCT (K)	Luminous Flux (lm)		CRI (min.)	Luminous Efficacy (lm/W)
						Min.	TYP		
GXUAN1313-KM27327-36206-492T	13.5x13.5x1.5	31.0~37.0	180	● Warm White	2700	707	786	80	126.2
GXUAN1313-KM30330-36206-492T	13.5x13.5x1.5	31.0~37.0	180	● Warm White	3000	750	833	80	133.8
GXUAN1313-KM35335-36206-492T	13.5x13.5x1.5	31.0~37.0	180	● Warm White	3500	773	859	80	137.9
GXUAN1313-KM40340-36206-492T	13.5x13.5x1.5	31.0~37.0	180	○ Neutral White	4000	785	872	80	140.0
GXUAN1313-KT50550-36206-492T	13.5x13.5x1.5	31.0~37.0	180	○ Cool White	5000	811	902	80	144.8
GXUAN1313-KT57557-36206-492T	13.5x13.5x1.5	31.0~37.0	180	○ Cool White	5700	820	912	80	146.4
GXUAN1313-KT65565-36206-492T	13.5x13.5x1.5	31.0~37.0	180	○ Cool White	6500	820	912	80	146.4
GXUAN1313-PM27327-36206-492T	13.5x13.5x1.5	31.0~37.0	180	● Warm White	2700	618	687	90	110.3
GXUAN1313-PM30330-36206-492T	13.5x13.5x1.5	31.0~37.0	180	● Warm White	3000	662	735	90	118.0
GXUAN1313-PM35335-36206-492T	13.5x13.5x1.5	31.0~37.0	180	● Warm White	3500	670	745	90	119.6
GXUAN1313-PM40340-36206-492T	13.5x13.5x1.5	31.0~37.0	180	○ Neutral White	4000	688	764	90	122.7

Chip on Board

Chip on Board | Xuan1313



UNIT : mm



10W / 36V / 270mA

Product	Size (LxWxHmm)	Forward Voltage (V)	Forward Current (mA)	Color	CCT (K)	Luminous Flux (lm)		CRI (min.)	Luminous Efficacy (lm/W)
						Min.	TYP		
GXUAN1313-KM27327-36310-492T	13.5x13.5x1.5	31.0~37.0	270	● Warm White	2700	1042	1158	80	124.0
GXUAN1313-KM30330-36310-492T	13.5x13.5x1.5	31.0~37.0	270	● Warm White	3000	1104	1227	80	131.3
GXUAN1313-KM35335-36310-492T	13.5x13.5x1.5	31.0~37.0	270	● Warm White	3500	1138	1265	80	135.4
GXUAN1313-KM40340-36310-492T	13.5x13.5x1.5	31.0~37.0	270	○ Neutral White	4000	1156	1285	80	137.6
GXUAN1313-KT50550-36310-492T	13.5x13.5x1.5	31.0~37.0	270	○ Cool White	5000	1195	1328	80	142.2
GXUAN1313-KT57557-36310-492T	13.5x13.5x1.5	31.0~37.0	270	○ Cool White	5700	1208	1342	80	143.7
GXUAN1313-KT65565-36310-492T	13.5x13.5x1.5	31.0~37.0	270	○ Cool White	6500	1208	1342	80	143.7
GXUAN1313-PM27327-36310-492T	13.5x13.5x1.5	31.0~37.0	270	● Warm White	2700	911	1012	90	108.3
GXUAN1313-PM30330-36310-492T	13.5x13.5x1.5	31.0~37.0	270	● Warm White	3000	975	1083	90	115.9
GXUAN1313-PM35335-36310-492T	13.5x13.5x1.5	31.0~37.0	270	● Warm White	3500	987	1097	90	117.4
GXUAN1313-PM40340-36310-492T	13.5x13.5x1.5	31.0~37.0	270	○ Neutral White	4000	1013	1126	90	120.5

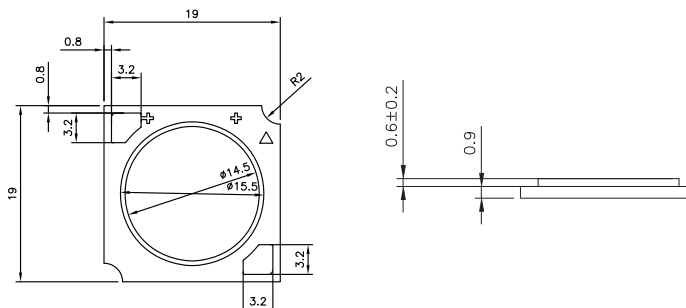
13W / 36V / 360 mA

Product	Size (LxWxHmm)	Forward Voltage (V)	Forward Current (mA)	Color	CCT (K)	Luminous Flux (lm)		CRI (min.)	Luminous Efficacy (lm/W)
						Min.	TYP		
GXUAN1313-KM27327-36413-492T	13.5x13.5x1.5	31.0~37.0	360	● Warm White	2700	1364	1515	80	121.6
GXUAN1313-KM30330-36413-492T	13.5x13.5x1.5	31.0~37.0	360	● Warm White	3000	1446	1606	80	128.9
GXUAN1313-KM35335-36413-492T	13.5x13.5x1.5	31.0~37.0	360	● Warm White	3500	1490	1656	80	132.9
GXUAN1313-KM40340-36413-492T	13.5x13.5x1.5	31.0~37.0	360	○ Neutral White	4000	1514	1682	80	135.0
GXUAN1313-KT50550-36413-492T	13.5x13.5x1.5	31.0~37.0	360	○ Cool White	5000	1565	1738	80	139.5
GXUAN1313-KT57557-36413-492T	13.5x13.5x1.5	31.0~37.0	360	○ Cool White	5700	1582	1758	80	141.1
GXUAN1313-KT65565-36413-492T	13.5x13.5x1.5	31.0~37.0	360	○ Cool White	6500	1582	1758	80	141.1
GXUAN1313-PM27327-36413-492T	13.5x13.5x1.5	31.0~37.0	360	● Warm White	2700	1192	1325	90	106.4
GXUAN1313-PM30330-36413-492T	13.5x13.5x1.5	31.0~37.0	360	● Warm White	3000	1276	1418	90	113.8
GXUAN1313-PM35335-36413-492T	13.5x13.5x1.5	31.0~37.0	360	● Warm White	3500	1293	1436	90	115.3
GXUAN1313-PM40340-36413-492T	13.5x13.5x1.5	31.0~37.0	360	○ Neutral White	4000	1326	1474	90	118.3

Chip on Board | Xuan1919



UNIT : mm



16W / 36V / 450mA

Product	Size (LxWxHmm)	Forward Voltage (V)	Forward Current (mA)	Color	CCT (K)	Luminous Flux (lm)		CRI (min.)	Luminous Efficacy (lm/W)
						Min.	TYP		
GXUAN1919-KM27327-36516-4E2T	19x19x1.6	31.0~37.0	450	Warm White	2700	1779	1977	80	127.0
GXUAN1919-KM30330-36516-4E2T	19x19x1.6	31.0~37.0	450	Warm White	3000	1886	2096	80	134.6
GXUAN1919-KM35335-36516-4E2T	19x19x1.6	31.0~37.0	450	Warm White	3500	1944	2160	80	138.7
GXUAN1919-KM40340-36516-4E2T	19x19x1.6	31.0~37.0	450	Neutral White	4000	1975	2194	80	140.9
GXUAN1919-KT50550-36516-4E2T	19x19x1.6	31.0~37.0	450	Cool White	5000	2041	2268	80	145.7
GXUAN1919-KT57557-36516-4E2T	19x19x1.6	31.0~37.0	450	Cool White	5700	2063	2293	80	147.3
GXUAN1919-KT65565-36516-4E2T	19x19x1.6	31.0~37.0	450	Cool White	6500	2063	2293	80	147.3
GXUAN1919-PM27327-36516-4E2T	19x19x1.6	31.0~37.0	450	Warm White	2700	1555	1728	90	111.0
GXUAN1919-PM30330-36516-4E2T	19x19x1.6	31.0~37.0	450	Warm White	3000	1664	1849	90	118.8
GXUAN1919-PM35335-36516-4E2T	19x19x1.6	31.0~37.0	450	Warm White	3500	1686	1874	90	120.4
GXUAN1919-PM40340-36516-4E2T	19x19x1.6	31.0~37.0	450	Neutral White	4000	1730	1922	90	123.4

19W / 36V / 540mA

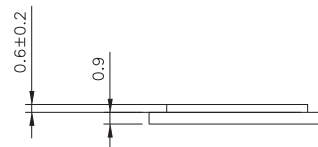
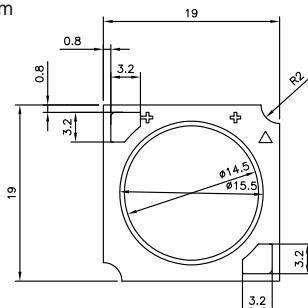
Product	Size (LxWxHmm)	Forward Voltage (V)	Forward Current (mA)	Color	CCT (K)	Luminous Flux (lm)		CRI (min.)	Luminous Efficacy (lm/W)
						Min.	TYP		
GXUAN1919-KM27327-36619-4E2T	19x19x1.6	31.0~37.0	540	Warm White	2700	2113	2348	80	125.7
GXUAN1919-KM30330-36619-4E2T	19x19x1.6	31.0~37.0	540	Warm White	3000	2240	2488	80	133.2
GXUAN1919-KM35335-36619-4E2T	19x19x1.6	31.0~37.0	540	Warm White	3500	2309	2565	80	137.3
GXUAN1919-KM40340-36619-4E2T	19x19x1.6	31.0~37.0	540	Neutral White	4000	2345	2606	80	139.5
GXUAN1919-KT50550-36619-4E2T	19x19x1.6	31.0~37.0	540	Cool White	5000	2424	2693	80	144.1
GXUAN1919-KT57557-36619-4E2T	19x19x1.6	31.0~37.0	540	Cool White	5700	2450	2723	80	145.7
GXUAN1919-KT65565-36619-4E2T	19x19x1.6	31.0~37.0	540	Cool White	6500	2450	2723	80	145.7
GXUAN1919-PM27327-36619-4E2T	19x19x1.6	31.0~37.0	540	Warm White	2700	1847	2052	90	109.8
GXUAN1919-PM30330-36619-4E2T	19x19x1.6	31.0~37.0	540	Warm White	3000	1976	2196	90	117.5
GXUAN1919-PM35335-36619-4E2T	19x19x1.6	31.0~37.0	540	Warm White	3500	2003	2225	90	119.1
GXUAN1919-PM40340-36619-4E2T	19x19x1.6	31.0~37.0	540	Neutral White	4000	2055	2283	90	122.2

Chip on Board

Chip on Board | Xuan1919



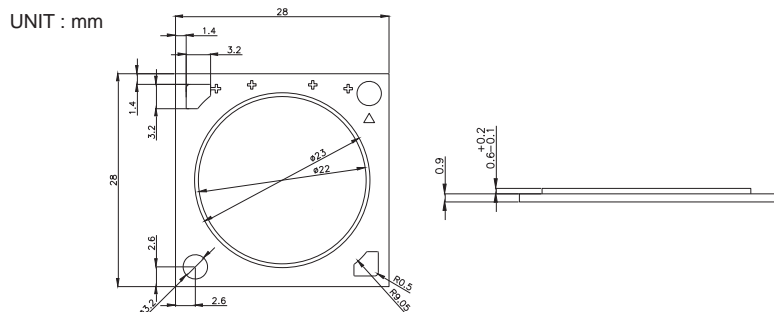
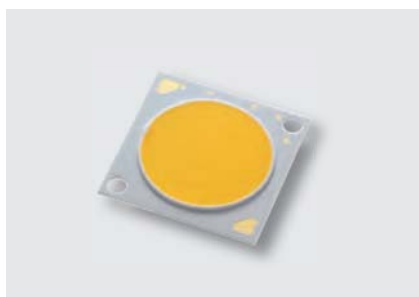
UNIT : mm



26W / 36V / 720mA

Product	Size (LxWxHmm)	Forward Voltage (V)	Forward Current (mA)	Color	CCT (K)	Luminous Flux (lm)		CRI (min.)	Luminous Efficacy (lm/W)
						Min.	TYP		
GXUAN1919-KM27327-36826-4E2T	19x19x1.6	31.0~37.0	720	● Warm White	2700	2763	3070	80	123.2
GXUAN1919-KM30330-36826-4E2T	19x19x1.6	31.0~37.0	720	● Warm White	3000	2929	3254	80	130.6
GXUAN1919-KM35335-36826-4E2T	19x19x1.6	31.0~37.0	720	● Warm White	3500	3020	3355	80	134.7
GXUAN1919-KM40340-36826-4E2T	19x19x1.6	31.0~37.0	720	○ Neutral White	4000	3067	3408	80	136.8
GXUAN1919-KT50550-36826-4E2T	19x19x1.6	31.0~37.0	720	○ Cool White	5000	3170	3522	80	141.4
GXUAN1919-KT57557-36826-4E2T	19x19x1.6	31.0~37.0	720	○ Cool White	5700	3205	3561	80	142.9
GXUAN1919-KT65565-36826-4E2T	19x19x1.6	31.0~37.0	720	○ Cool White	6500	3205	3561	80	142.9
GXUAN1919-PM27327-36826-4E2T	19x19x1.6	31.0~37.0	720	● Warm White	2700	2416	2684	90	107.7
GXUAN1919-PM30330-36826-4E2T	19x19x1.6	31.0~37.0	720	● Warm White	3000	2585	2872	90	115.3
GXUAN1919-PM35335-36826-4E2T	19x19x1.6	31.0~37.0	720	● Warm White	3500	2619	2910	90	116.8
GXUAN1919-PM40340-36826-4E2T	19x19x1.6	31.0~37.0	720	○ Neutral White	4000	2687	2985	90	119.8

Chip on Board | Xuan2828



38W / 36V / 1080mA

Product	Size (LxWxHmm)	Forward Voltage (V)	Forward Current (mA)	Color	CCT (K)	Luminous Flux (lm)		CRI (min.)	Luminous Efficacy (lm/W)
						Min.	TYP		
GXUAN2828-KM27327-36C38-4M2T	28x28x1.5	31.0~37.0	1080	● Warm White	2700	4286	4762	80	127.4
GXUAN2828-KM30330-36C38-4M2T	28x28x1.5	31.0~37.0	1080	● Warm White	3000	4543	5048	80	135.1
GXUAN2828-KM35335-36C38-4M2T	28x28x1.5	31.0~37.0	1080	● Warm White	3500	4684	5204	80	139.3
GXUAN2828-KM40340-36C38-4M2T	28x28x1.5	31.0~37.0	1080	○ Neutral White	4000	4757	5286	80	141.5
GXUAN2828-KT50550-36C38-4M2T	28x28x1.5	31.0~37.0	1080	○ Cool White	5000	4917	5463	80	146.2
GXUAN2828-KT57557-36C38-4M2T	28x28x1.5	31.0~37.0	1080	○ Cool White	5700	4970	5523	80	147.8
GXUAN2828-KT65565-36C38-4M2T	28x28x1.5	31.0~37.0	1080	○ Cool White	6500	4970	5523	80	147.8
GXUAN2828-PM27327-36C38-4M2T	28x28x1.5	31.0~37.0	1080	● Warm White	2700	3747	4163	90	111.4
GXUAN2828-PM30330-36C38-4M2T	28x28x1.5	31.0~37.0	1080	● Warm White	3000	4009	4455	90	119.2
GXUAN2828-PM35335-36C38-4M2T	28x28x1.5	31.0~37.0	1080	● Warm White	3500	4062	4513	90	120.8
GXUAN2828-PM40340-36C38-4M2T	28x28x1.5	31.0~37.0	1080	○ Neutral White	4000	4168	4631	90	123.9
GXUAN2828-PT50550-36C38-4M2T	28x28x1.5	31.0~37.0	1080	○ Cool White	5000	4330	4811	90	128.7
GXUAN2828-PT57557-36C38-4M2T	28x28x1.5	31.0~37.0	1080	○ Cool White	5700	4382	4868	90	130.3
GXUAN2828-PT65565-36C38-4M2T	28x28x1.5	31.0~37.0	1080	○ Cool White	6500	4382	4868	90	130.3

58W / 54V / 1080mA

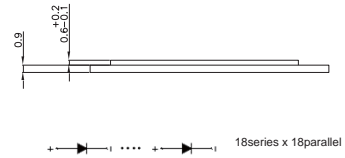
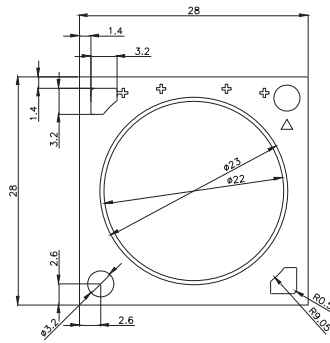
Product	Size (LxWxHmm)	Forward Voltage (V)	Forward Current (mA)	Color	CCT (K)	Luminous Flux (lm)		CRI (min.)	Luminous Efficacy (lm/W)
						Min.	TYP		
GXUAN2828-KM27327-54C58-4M2T	28x28x1.5	47.0~55.0	1080	● Warm White	2700	6272	6969	80	124.3
GXUAN2828-KM30330-54C58-4M2T	28x28x1.5	47.0~55.0	1080	● Warm White	3000	6649	7387	80	131.8
GXUAN2828-KM35335-54C58-4M2T	28x28x1.5	47.0~55.0	1080	● Warm White	3500	6854	7616	80	135.9
GXUAN2828-KM40340-54C58-4M2T	28x28x1.5	47.0~55.0	1080	○ Neutral White	4000	6962	7736	80	138.0
GXUAN2828-KT50550-54C58-4M2T	28x28x1.5	47.0~55.0	1080	○ Cool White	5000	7196	7995	80	142.6
GXUAN2828-KT57557-54C58-4M2T	28x28x1.5	47.0~55.0	1080	○ Cool White	5700	7274	8083	80	144.2
GXUAN2828-KT65565-54C58-4M2T	28x28x1.5	47.0~55.0	1080	○ Cool White	6500	7274	8083	80	144.2
GXUAN2828-PM27327-54C58-4M2T	28x28x1.5	47.0~55.0	1080	● Warm White	2700	5484	6093	90	108.7
GXUAN2828-PM30330-54C58-4M2T	28x28x1.5	47.0~55.0	1080	● Warm White	3000	5867	6519	90	116.3
GXUAN2828-PM35335-54C58-4M2T	28x28x1.5	47.0~55.0	1080	● Warm White	3500	5945	6605	90	117.8
GXUAN2828-PM40340-54C58-4M2T	28x28x1.5	47.0~55.0	1080	○ Neutral White	4000	6099	6777	90	120.9
GXUAN2828-PT50550-54C58-4M2T	28x28x1.5	47.0~55.0	1080	○ Cool White	5000	6336	7040	90	125.6
GXUAN2828-PT57557-54C58-4M2T	28x28x1.5	47.0~55.0	1080	○ Cool White	5700	6412	7125	90	127.1
GXUAN2828-PT65565-54C58-4M2T	28x28x1.5	47.0~55.0	1080	○ Cool White	6500	6412	7125	90	127.1

Chip on Board

Chip on Board | Xuan2828



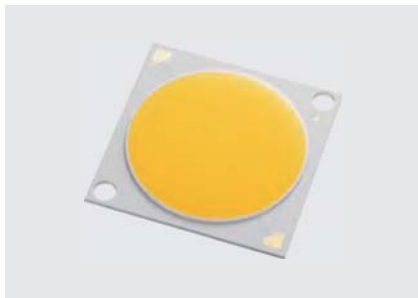
UNIT : mm



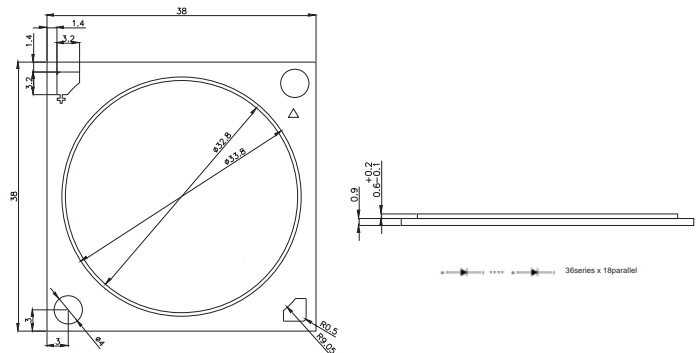
86W / 54V / 1620mA

Product	Size (LxWxHmm)	Forward Voltage (V)	Forward Current (mA)	Color	CCT (K)	Luminous Flux (lm)		CRI (min.)	Luminous Efficacy (lm/W)
						Min.	TYP		
GXUAN2828-KM27327-54I86-4M2T	28x28x1.5	47.0~55.0	1620	● Warm White	2700	9155	10172	80	121.0
GXUAN2828-KM30330-54I86-4M2T	28x28x1.5	47.0~55.0	1620	● Warm White	3000	9704	10783	80	128.2
GXUAN2828-KM35335-54I86-4M2T	28x28x1.5	47.0~55.0	1620	● Warm White	3500	10004	11116	80	132.2
GXUAN2828-KM40340-54I86-4M2T	28x28x1.5	47.0~55.0	1620	○ Neutral White	4000	10162	11291	80	134.3
GXUAN2828-KT50550-54I86-4M2T	28x28x1.5	47.0~55.0	1620	○ Cool White	5000	10502	11669	80	138.8
GXUAN2828-KT57557-54I86-4M2T	28x28x1.5	47.0~55.0	1620	○ Cool White	5700	10617	11797	80	140.3
GXUAN2828-KT65565-54I86-4M2T	28x28x1.5	47.0~55.0	1620	○ Cool White	6500	10617	11797	80	140.3
GXUAN2828-PM27327-54I86-4M2T	28x28x1.5	47.0~55.0	1620	● Warm White	2700	8004	8893	90	105.8
GXUAN2828-PM30330-54I86-4M2T	28x28x1.5	47.0~55.0	1620	● Warm White	3000	8564	9516	90	113.2
GXUAN2828-PM35335-54I86-4M2T	28x28x1.5	47.0~55.0	1620	● Warm White	3500	8677	9641	90	114.7
GXUAN2828-PM40340-54I86-4M2T	28x28x1.5	47.0~55.0	1620	○ Neutral White	4000	8902	9891	90	117.6
GXUAN2828-PT50550-54I86-4M2T	28x28x1.5	47.0~55.0	1620	○ Cool White	5000	9248	10276	90	122.2
GXUAN2828-PT57557-54I86-4M2T	28x28x1.5	47.0~55.0	1620	○ Cool White	5700	9360	10400	90	123.7
GXUAN2828-PT65565-54I86-4M2T	28x28x1.5	47.0~55.0	1620	○ Cool White	6500	9360	10400	90	123.7

Chip on Board | Xuan3838



UNIT : mm



178W / 110V / 1620mA

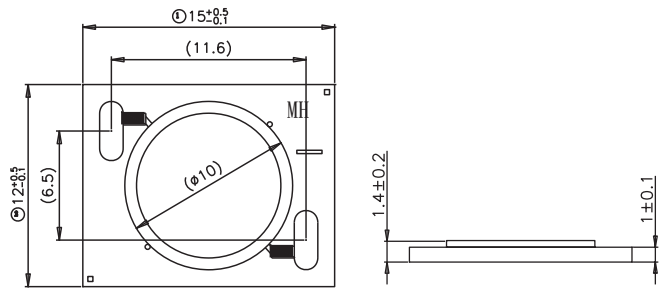
Product	Size (LxWxHmm)	Forward Voltage (V)	Forward Current (mA)	Color	CCT (K)	Luminous Flux (lm)		CRI (min.)	Luminous Efficacy (lm/W)
						Min.	TYP		
GXUAN3838-KM27327-B0IH3-4W2T	38x38x1.5	103.3~121.3	1620	● Warm White	2700	17727	19697	80	116.9
GXUAN3838-KM30330-B0IH3-4W2T	38x38x1.5	103.3~121.3	1620	● Warm White	3000	18791	20879	80	123.9
GXUAN3838-KM35335-B0IH3-4W2T	38x38x1.5	103.3~121.3	1620	● Warm White	3500	19372	21524	80	127.8
GXUAN3838-KM40340-B0IH3-4W2T	38x38x1.5	103.3~121.3	1620	○ Neutral White	4000	19676	21862	80	129.8
GXUAN3838-KT50550-B0IH3-4W2T	38x38x1.5	103.3~121.3	1620	○ Cool White	5000	20336	22596	80	134.1
GXUAN3838-KT57557-B0IH3-4W2T	38x38x1.5	103.3~121.3	1620	○ Cool White	5700	20559	22843	80	135.6
GXUAN3838-KT65565-B0IH3-4W2T	38x38x1.5	103.3~121.3	1620	○ Cool White	6500	20559	22843	80	135.6
GXUAN3838-PM27327-B0IH3-4W2T	38x38x1.5	103.3~121.3	1620	● Warm White	2700	15527	17253	90	102.4
GXUAN3838-PM30330-B0IH3-4W2T	38x38x1.5	103.3~121.3	1620	● Warm White	3000	16614	18460	90	109.6
GXUAN3838-PM35335-B0IH3-4W2T	38x38x1.5	103.3~121.3	1620	● Warm White	3500	16833	18703	90	111.0
GXUAN3838-PM40340-B0IH3-4W2T	38x38x1.5	103.3~121.3	1620	○ Neutral White	4000	17271	19189	90	113.9
GXUAN3838-PT50550-B0IH3-4W2T	38x38x1.5	103.3~121.3	1620	○ Cool White	5000	17942	19935	90	118.3
GXUAN3838-PT57557-B0IH3-4W2T	38x38x1.5	103.3~121.3	1620	○ Cool White	5700	18158	20175	90	119.7
GXUAN3838-PT65565-B0IH3-4W2T	38x38x1.5	103.3~121.3	1620	○ Cool White	6500	18158	20175	90	119.7

Chip on Board

Chip on Board ■ JU1215



UNIT : mm



6W / 36V / 160mA

Product	Size (LxWxHmm)	Forward Voltage (V)	Forward Current (mA)	Color	CCT (K)	Luminous Flux (lm)		CRI (min.)	Luminous Efficacy (lm/W)
						Min.	TYP		
GJU1215-KM27327-36106-490T	12x15x1.4	33.0~40.0	160	● Warm White	2700	555	605	80	108.0
GJU1215-KM30330-36106-490T	12x15x1.4	33.0~40.0	160	● Warm White	3000	595	645	80	115.2
GJU1215-KM40340-36106-490T	12x15x1.4	33.0~40.0	160	○ Neutral White	4000	615	670	80	119.6
GJU1215-PM27327-36106-490T	12x15x1.4	33.0~40.0	160	● Warm White	2700	465	510	90	91.1
GJU1215-PM30330-36106-490T	12x15x1.4	33.0~40.0	160	● Warm White	3000	500	545	90	97.3
GJU1215-PM40340-36106-490T	12x15x1.4	33.0~40.0	160	○ Neutral White	4000	535	580	90	103.6

8W / 36V / 200mA

Product	Size (LxWxHmm)	Forward Voltage (V)	Forward Current (mA)	Color	CCT (K)	Luminous Flux (lm)		CRI (min.)	Luminous Efficacy (lm/W)
						Min.	TYP		
GJU1215-KM27327-36208-490T	12x15x1.4	31.1~37.9	200	● Warm White	2700	760	830	80	118.6
GJU1215-KM30330-36208-490T	12x15x1.4	31.1~37.9	200	● Warm White	3000	815	885	80	126.4
GJU1215-KM40340-36208-490T	12x15x1.4	31.1~37.9	200	○ Neutral White	4000	850	925	80	132.1
GJU1215-PM27327-36208-490T	12x15x1.4	31.1~37.9	200	● Warm White	2700	645	700	90	100.0
GJU1215-PM30330-36208-490T	12x15x1.4	31.1~37.9	200	● Warm White	3000	690	750	90	107.1
GJU1215-PM40340-36208-490T	12x15x1.4	31.1~37.9	200	○ Neutral White	4000	730	795	90	113.6

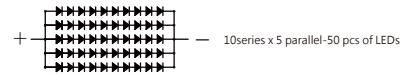
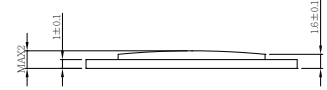
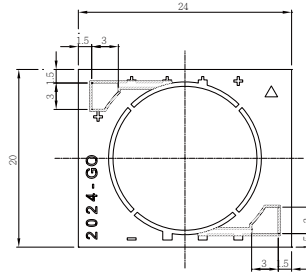
12W / 36V / 300mA

Product	Size (LxWxHmm)	Forward Voltage (V)	Forward Current (mA)	Color	CCT (K)	Luminous Flux (lm)		CRI (min.)	Luminous Efficacy (lm/W)
						Min.	TYP		
GJU1215-KM27327-36312-490T	12x15x1.4	31.1~37.9	300	● Warm White	2700	1105	1200	80	114.3
GJU1215-KM30330-36312-490T	12x15x1.4	31.1~37.9	300	● Warm White	3000	1175	1280	80	121.9
GJU1215-KM40340-36312-490T	12x15x1.4	31.1~37.9	300	○ Neutral White	4000	1225	1335	80	127.1
GJU1215-PM27327-36312-490T	12x15x1.4	31.1~37.9	300	● Warm White	2700	925	1010	90	96.2
GJU1215-PM30330-36312-490T	12x15x1.4	31.1~37.9	300	● Warm White	3000	995	1085	90	103.3
GJU1215-PM40340-36312-490T	12x15x1.4	31.1~37.9	300	○ Neutral White	4000	1060	1150	90	109.5

Chip on Board | JU2024



UNIT : mm



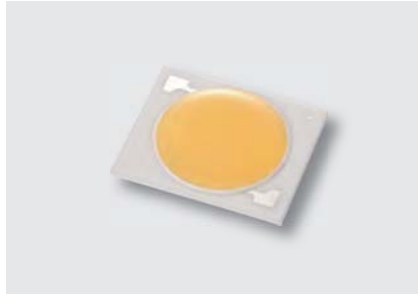
17W / 36V / 500mA

Product	Size (LxWxHmm)	Forward Voltage (V)	Forward Current (mA)	Color	CCT (K)	Luminous Flux (lm)		CRI (min.)	Luminous Efficacy (lm/W)
						Min.	TYP		
GJU2024-KM27327-36517-4G0T	20x24x1.5	31.1~37.9	500	● Warm White	2700	1900	2200	80	125.7
GJU2024-KM30330-36517-4G0T	20x24x1.5	31.1~37.9	500	● Warm White	3000	2050	2350	80	134.3
GJU2024-KM35335-36517-4G0T	20x24x1.5	31.1~37.9	500	● Warm White	3500	2050	2425	80	138.6
GJU2024-KM40340-36517-4G0T	20x24x1.5	31.1~37.9	500	○ Neutral White	4000	2200	2500	80	142.9
GJU2024-PM27327-36517-4G0T	20x24x1.5	31.1~37.9	500	● Warm White	2700	1600	1900	90	108.6
GJU2024-PM30330-36517-4G0T	20x24x1.5	31.1~37.9	500	● Warm White	3000	1600	1975	90	112.9
GJU2024-PM35335-36517-4G0T	20x24x1.5	31.1~37.9	500	● Warm White	3500	1750	2050	90	117.1
GJU2024-PM40340-36517-4G0T	20x24x1.5	31.1~37.9	500	○ Neutral White	4000	1900	2200	90	125.7

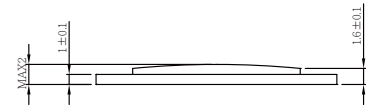
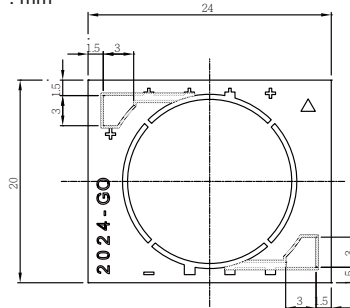
25W / 36V / 700mA

Product	Size (LxWxHmm)	Forward Voltage (V)	Forward Current (mA)	Color	CCT (K)	Luminous Flux (lm)		CRI (min.)	Luminous Efficacy (lm/W)
						Min.	TYP		
GJU2024-KM27327-36725-4G0T	20x24x1.5	31.1~37.9	700	● Warm White	2700	2610	2950	80	120.4
GJU2024-KM30330-36725-4G0T	20x24x1.5	31.1~37.9	700	● Warm White	3000	2810	3150	80	128.6
GJU2024-KM35335-36725-4G0T	20x24x1.5	31.1~37.9	700	● Warm White	3500	2810	3250	80	132.7
GJU2024-KM40340-36725-4G0T	20x24x1.5	31.1~37.9	700	○ Neutral White	4000	3010	3350	80	136.7
GJU2024-PM27327-36725-4G0T	20x24x1.5	31.1~37.9	700	● Warm White	2700	1990	2350	90	95.9
GJU2024-PM30330-36725-4G0T	20x24x1.5	31.1~37.9	700	● Warm White	3000	2200	2550	90	104.1
GJU2024-PM35335-36725-4G0T	20x24x1.5	31.1~37.9	700	● Warm White	3500	2400	2750	90	112.2
GJU2024-PM40340-36725-4G0T	20x24x1.5	31.1~37.9	700	○ Neutral White	4000	2400	2850	90	116.3

Chip on Board | JU2024



UNIT : mm



+ → | ... | → + 12series x 7 parallel

35W / 36V / 950mA

Product	Size (LxWxHmm)	Forward Voltage (V)	Forward Current (mA)	Color	CCT (K)	Luminous Flux (lm)		CRI (min.)	Luminous Efficacy (lm/W)
						Min.	TYP		
GJU2024-KM27327-36A35-4G0T	20x24x1.5	31.1~37.9	950	● Warm White	2700	3370	4050	80	121.8
GJU2024-KM30330-36A35-4G0T	20x24x1.5	31.1~37.9	950	● Warm White	3000	3680	4200	80	126.3
GJU2024-KM35335-36A35-4G0T	20x24x1.5	31.1~37.9	950	● Warm White	3500	3680	4350	80	130.8
GJU2024-KM40340-36A35-4G0T	20x24x1.5	31.1~37.9	950	○ Neutral White	4000	3980	4500	80	135.3
GJU2024-PM27327-36A35-4G0T	20x24x1.5	31.1~37.9	950	● Warm White	2700	2760	3300	90	99.2
GJU2024-PM30330-36A35-4G0T	20x24x1.5	31.1~37.9	950	● Warm White	3000	2760	3450	90	103.8
GJU2024-PM35335-36A35-4G0T	20x24x1.5	31.1~37.9	950	● Warm White	3500	3060	3600	90	108.3
GJU2024-PM40340-36A35-4G0T	20x24x1.5	31.1~37.9	950	○ Neutral White	4000	3060	3750	90	112.8

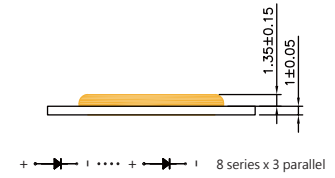
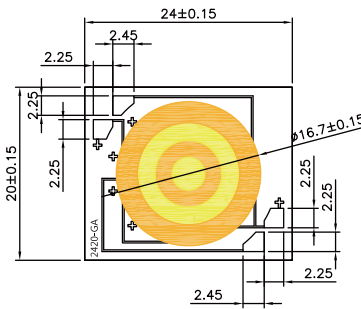
50W / 48V / 950mA

Product	Size (LxWxHmm)	Forward Voltage (V)	Forward Current (mA)	Color	CCT (K)	Luminous Flux (lm)		CRI (min.)	Luminous Efficacy (lm/W)
						Min.	TYP		
GJU2024-KM27327-48A50-4G0T	20x24x1.5	41.5~50.7	950	● Warm White	2700	4440	5150	80	116.2
GJU2024-KM30330-48A50-4G0T	20x24x1.5	41.5~50.7	950	● Warm White	3000	4850	5550	80	125.2
GJU2024-KM35335-48A50-4G0T	20x24x1.5	41.5~50.7	950	● Warm White	3500	4850	5750	80	129.7
GJU2024-KM40340-48A50-4G0T	20x24x1.5	41.5~50.7	950	○ Neutral White	4000	5260	5950	80	134.2
GJU2024-PM27327-48A50-4G0T	20x24x1.5	41.5~50.7	950	● Warm White	2700	3630	4350	90	98.1
GJU2024-PM30330-48A50-4G0T	20x24x1.5	41.5~50.7	950	● Warm White	3000	3630	4350	90	98.1
GJU2024-PM35335-48A50-4G0T	20x24x1.5	41.5~50.7	950	● Warm White	3500	4030	4750	90	107.2
GJU2024-PM40340-48A50-4G0T	20x24x1.5	41.5~50.7	950	○ Neutral White	4000	4030	4950	90	111.7

Chip on Board | CHI2024



UNIT : mm



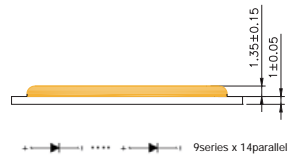
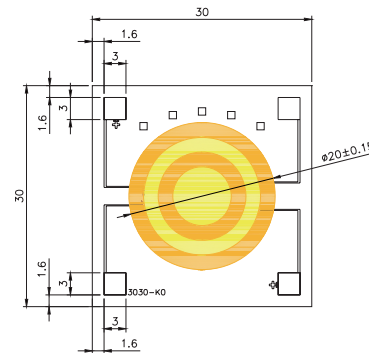
9W / 24V / 350mA

Product	Size (LxWxHmm)	Forward Voltage (V)	Forward Current (mA)	Color	CCT (K)	Luminous Flux (lm)		CRI (min.)	Luminous Efficacy (lm/W)
						Min.	TYP		
CHI2024-KHAH4NG-24609-3G0T	20x24x2.35	23.2~27.0	350/0	● Warm White	2700	870	957	80	113.9
	20x24x2.35	23.2~27.0	175/175	○ Neutral White	4000	968	1065	80	126.8
	20x24x2.35	23.2~27.0	0/350	○ Cool White	5700	929	1022	80	121.6

Chip on Board | CHI3030



UNIT : mm



19W / 27V / 700mA

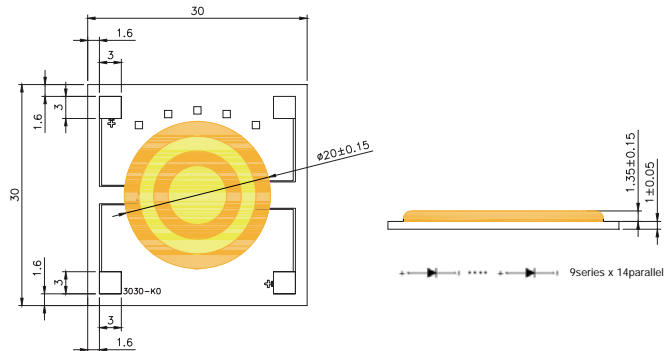
Product	Size (LxWxHmm)	Forward Voltage (V)	Forward Current (mA)	Color	CCT (K)	Luminous Flux (lm)		CRI (min.)	Luminous Efficacy (lm/W)
						Min.	TYP		
CHI3030-PMMB4P9-27E19-3K0T	30x30x2.35	26.0~31.0	700/0	● Warm White	2000	1230	1420	90	74.7
	30x30x2.35	26.0~31.0	350/350	○ Neutral White	2500	1330	1530	90	80.5
	30x30x2.35	26.0~31.0	0/700	○ Cool White	3000	1430	1640	90	86.3

Chip on Board

Chip on Board ■ CHI3030



UNIT : mm



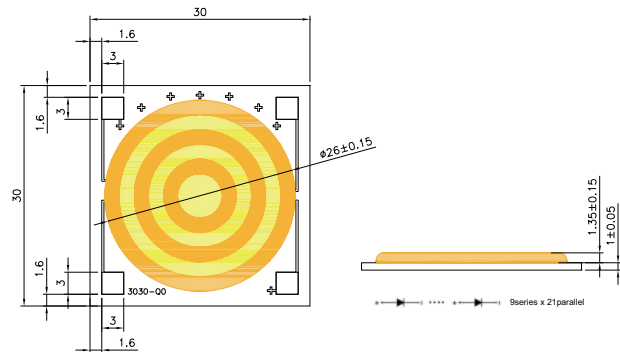
19W / 27V / 700mA

Product	Size (LxWxHmm)	Forward Voltage (V)	Forward Current (mA)	Color	CCT (K)	Luminous Flux (lm)		CRI (min.)	Luminous Efficacy (lm/W)
						Min.	TYP		
CHI3030-KHAH4P7-27E19-3K0T	30x30x2.35	26.0~31.0	700/0	● Warm White	2700	1867	2054	80	108.7
	30x30x2.35	26.0~31.0	350/350	○ Neutral White	4000	2128	2342	80	123.9
	30x30x2.35	26.0~31.0	0/700	○ Cool White	5700	2069	2276	80	120.4

Chip on Board



UNIT : mm



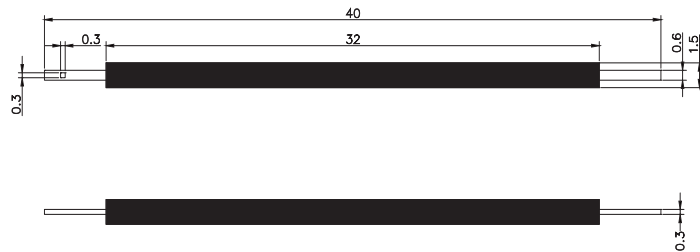
29W / 27V / 1000mA

Product	Size (LxWxHmm)	Forward Voltage (V)	Forward Current (mA)	Color	CCT (K)	Luminous Flux (lm)		CRI (min.)	Luminous Efficacy (lm/W)
						Min.	TYP		
CHI3030-KHAH4S2-27L29-3Q0T	30x30x2.35	26.0~31.0	1000/0	● Warm White	2700	2727	3000	80	111.1
	30x30x2.35	26.0~31.0	500/500	○ Neutral White	4000	3073	3380	80	125.2
	30x30x2.35	26.0~31.0	0/1000	○ Cool White	5700	2954	3250	80	120.4

Chip on Board | Filament/JHU4001



UNIT : mm



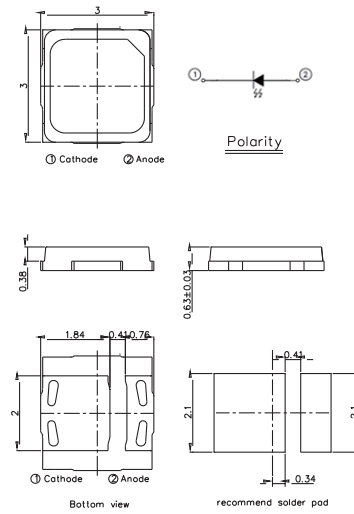
0.7W / 72V / 10mA

Product	Size (LxWxHmm)	Forward Voltage (V)	Forward Current (mA)	Color	CCT (K)	Luminous Flux (lm)		CRI (min.)	Luminous Efficacy (lm/W)
						Min.	TYP		
JHU4001-KM277J1-72101-400T	Total Length (including pins): 40 Diameter: 1.5"	65.0~74.0	10	● Warm White	2700	90	105	80	146

Low Middle Power LED | XI3030



UNIT : mm



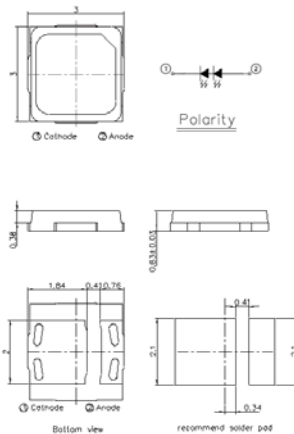
0.2W / 65mA

Product	Size (LxWxHmm)	Forward Voltage (V)	Forward Current (mA)	Color	CCT (K)	Luminous Flux (Min.)	Luminous Flux (Typ.)	CRI (min.)
XI3030P/KK5C-3M2727N41PB24301U6/2N	3.0x3.0x0.63	2.4~3.0	65	● Warm White	2700	27	31	80
XI3030P/KK5C-3M3030N41PB24301U6/2N	3.0x3.0x0.63	2.4~3.0	65	● Warm White	3000	27	33	80
XI3030P/KK5C-3M3535N41PB24301U6/2N	3.0x3.0x0.63	2.4~3.0	65	● Warm White	3500	27	33	80
XI3030P/KK5C-3M4040N42PB24301U6/2N	3.0x3.0x0.63	2.4~3.0	65	○ Neutral White	4000	30	35	80
XI3030P/KK5C-3M5050N42PB24301U6/2N	3.0x3.0x0.63	2.4~3.0	65	○ Cool White	5000	30	36	80
XI3030P/KK5C-3M5757N42PB24301U6/2N	3.0x3.0x0.63	2.4~3.0	65	○ Cool White	5700	30	36	80
XI3030P/KK5C-3M6565N42PB24301U6/2N	3.0x3.0x0.63	2.4~3.0	65	○ Cool White	6500	30	36	80

Low Middle Power LED | XI3030



UNIT : mm



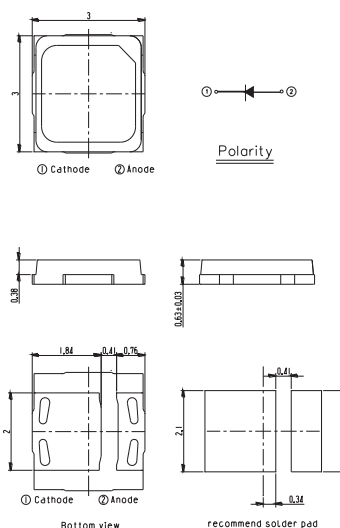
1W / 6V / 150mA

Product	Size (LxWxHmm)	Forward Voltage (V)	Forward Current (mA)	Color	CCT (K)	Luminous Flux (Min.)	Luminous Flux (Typ.)	CRI (min.)
XI3030P/KK5C-H2727S32S756661Z15/2N	3.0x3.0x0.63	5.6~6.6	150	● Warm White	2700	125	131	80
XI3030P/KK5C-H3030S41S756661Z15/2N	3.0x3.0x0.63	5.6~6.6	150	● Warm White	3000	130	134	80
XI3030P/KK5C-H3535S41S756661Z15/2N	3.0x3.0x0.63	5.6~6.6	150	● Warm White	3500	130	136	80
XI3030P/KK5C-H4040S41S756661Z15/2N	3.0x3.0x0.63	5.6~6.6	150	○ Neutral White	4000	130	138	80
XI3030P/KK5C-H5050S42S856661Z15/2N	3.0x3.0x0.63	5.6~6.6	150	○ Cool White	5000	135	141	80
XI3030P/KK5C-H5757S42S856661Z15/2N	3.0x3.0x0.63	5.6~6.6	150	○ Cool White	5700	135	139	80
XI3030P/KK5C-H6565S41S856661Z15/2N	3.0x3.0x0.63	5.6~6.6	150	○ Cool White	6500	130	138	80

Low Middle Power LED



UNIT : mm



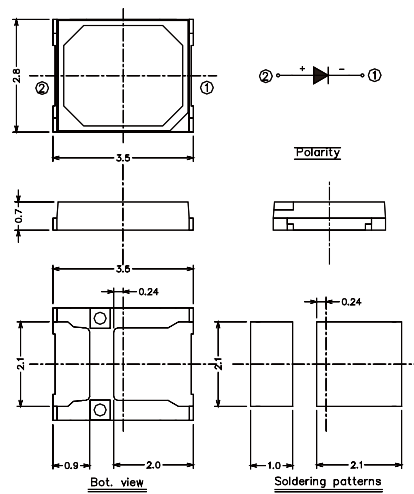
1W / 150mA

Product	Size (LxWxHmm)	Forward Voltage (V)	Forward Current (mA)	Color	Wavelength (nm)	Luminous Flux / Radiometric Power (Min.)	Luminous Flux (Typ.)
XI3030P/B3C-D5060T2T524322Z15/2N	3.0x3.0x0.63	2.4-3.2	150	● Royal Blue	450-460	190	-
XI3030P/D3C-P4575R4R715231Z15/2N	3.0x3.0x0.63	1.5-2.3	150	● Deep Red	645-675	65	-
XI3030P/F3C-P1545S2S520281Z15/2N	3.0x3.0x0.63	2.0-2.8	150	● Far Red	715-745	110	-

Low Middle Power LED | 67-21S (2835)



UNIT : mm



0.2W / 3V / 65mA

Product	Size (LxWxHmm)	Forward Voltage (V)	Forward Current (mA)	Color	CCT (K)	Luminous Flux (Min.)	Luminous Flux (Typ.)	CRI (min.)
67-21S/KK4C-M2727V7X72532U6/2T	2.8x3.5x0.7	2.5 - 3.2	65	● Warm White	2700K	27	30	80
67-21S/KK4C-M3030V8X82532U6/2T	2.8x3.5x0.7	2.5 - 3.2	65	● Warm White	3000K	28	31	80
67-21S/KK4C-M4040V9X92532U6/2T	2.8x3.5x0.7	2.5 - 3.2	65	○ Neutral White	4000K	29	32	80
67-21S/KK4C-M5050X0Y02532U6/2T	2.8x3.5x0.7	2.5 - 3.2	65	○ Cool White	5000K	30	33	80
67-21S/KK4C-M5757X0Y02532U6/2T	2.8x3.5x0.7	2.5 - 3.2	65	○ Cool White	5700K	30	33	80
67-21S/KK4C-M6565V9X92532U6/2T	2.8x3.5x0.7	2.5 - 3.2	65	○ Cool White	6500K	29	32	80

0.2W / 3V / 60mA

Product	Size (LxWxHmm)	Forward Voltage (V)	Forward Current (mA)	Color	CCT (K)	Luminous Flux (Min.)	Luminous Flux (Typ.)	CRI (min.)
67-21S/HK3C-H2727L8M42936Z6/2T	2.8x3.5x0.7	2.9 - 3.6	60	● Warm White	2700K	17	19	90
67-21S/HK3C-H3030L9N32936Z6/2T	2.8x3.5x0.7	2.9 - 3.6	60	● Warm White	3000K	18	20	90
67-21S/HK3C-H3535L9N32936Z6/2T	2.8x3.5x0.7	2.9 - 3.6	60	● Warm White	3500K	18	20	90
67-21S/HK3C-H4040M3N42936Z6/2T	2.8x3.5x0.7	2.9 - 3.6	60	○ Neutral White	4000K	19	21	90
67-21S/HK3C-H5050M3N42936Z6/2T	2.8x3.5x0.7	2.9 - 3.6	60	○ Cool White	5000K	20	22	90
67-21S/HK3C-H5757M3N42936Z6/2T	2.8x3.5x0.7	2.9 - 3.6	60	○ Cool White	5700K	20	22	90
67-21S/HK3C-H6565M3N42936Z6/2T	2.8x3.5x0.7	2.9 - 3.6	60	○ Cool White	6500K	20	22	90

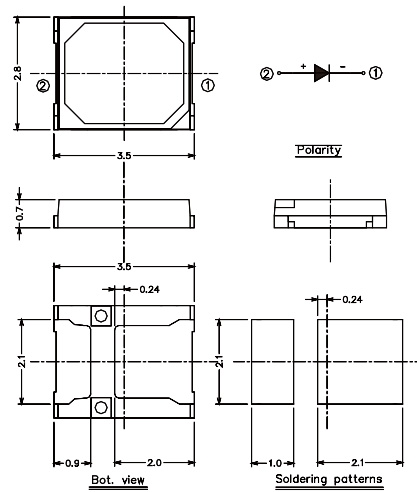
0.2W / 3V / 60mA

Product	Size (LxWxHmm)	Forward Voltage (V)	Forward Current (mA)	Color	CCT (K)	Luminous Flux (Min.)	Luminous Flux (Typ.)	CRI (min.)
67-21S/KK5C-H2727M42N4B2833Z6/2T	2.8x3.5x0.7	2.8 - 3.3	60	● Warm White	2700K	23	25	80
67-21S/KK5C-H3030N3N4B2833Z6/2T	2.8x3.5x0.7	2.8 - 3.3	60	● Warm White	3000K	24	26	80
67-21S/KK5C-H3535N3N4B2833Z6/2T	2.8x3.5x0.7	2.8 - 3.3	60	○ Neutral White	3500K	24	26	80
67-21S/KK5C-H4040N3P102833Z6/2T	2.8x3.5x0.7	2.8 - 3.3	60	○ Neutral White	4000K	25	28	80
67-21S/KK5C-H5050N3P202833Z6/2T	2.8x3.5x0.7	2.8 - 3.3	60	○ Cool White	5000K	26	29	80
67-21S/KK5C-H5757N3P202833Z6/2T	2.8x3.5x0.7	2.8 - 3.3	60	○ Cool White	5700K	26	29	80
67-21S/KK5C-H6060N3P202833Z6/2T	2.8x3.5x0.7	2.8 - 3.3	60	○ Cool White	6000K	26	29	80
67-21S/KK5C-H6565N3P202833Z6/2T	2.8x3.5x0.7	2.8 - 3.3	60	○ Cool White	6500K	26	29	80

Low Middle Power LED | 67-21S (2835)



UNIT : mm



0.5W / 3V / 150mA

Product	Size (LxWxHmm)	Forward Voltage (V)	Forward Current (mA)	Color	CCT (K)	Luminous Flux (Min.)	Luminous Flux (Typ.)	CRI (min.)
67-21S/HK4C-H2727QA1R32834Z15/2T	2.8x3.5x0.7	2.8 - 3.4	150	● Warm White	2700K	47	52	90
67-21S/HK4C-H3030R1R42834Z15/2T	2.8x3.5x0.7	2.8 - 3.4	150	● Warm White	3000K	50	55	90
67-21S/HK4C-H4040R11R42834Z15/2T	2.8x3.5x0.7	2.8 - 3.4	150	○ Neutral White	4000K	53	58	90
67-21S/HK4C-H5050R2R52834Z15/2T	2.8x3.5x0.7	2.8 - 3.4	150	○ Cool White	5000K	55	61	90
67-21S/HK4C-H5757R2R52834Z15/2T	2.8x3.5x0.7	2.8 - 3.4	150	○ Cool White	5700K	55	61	90
67-21S/HK4C-H6565R2R52834Z15/2T	2.8x3.5x0.7	2.8 - 3.4	150	○ Cool White	6500K	55	61	90

0.5W / 3V / 150mA

Product	Size (LxWxHmm)	Forward Voltage (V)	Forward Current (mA)	Color	CCT (K)	Luminous Flux (Min.)	Luminous Flux (Typ.)	CRI (min.)
67-21S/KK5C-H2727R2R52834Z15/2T	2.8x3.5x0.7	2.8 - 3.4	150	● Warm White	2700K	55	60	80
67-21S/KK5C-H3030R3R62834Z15/2T	2.8x3.5x0.7	2.8 - 3.4	150	● Warm White	3000K	60	65	80
67-21S/KK5C-H4040R3R62834Z15/2T	2.8x3.5x0.7	2.8 - 3.4	150	○ Neutral White	4000K	60	65	80
67-21S/KK5C-H5050R4R72834Z15/2T	2.8x3.5x0.7	2.8 - 3.4	150	○ Cool White	5000K	65	70	80
67-21S/KK5C-H5757R4R72834Z15/2T	2.8x3.5x0.7	2.8 - 3.4	150	○ Cool White	5700K	65	70	80
67-21S/KK5C-H6565R4R72834Z15/2T	2.8x3.5x0.7	2.8 - 3.4	150	○ Cool White	6500K	65	70	80

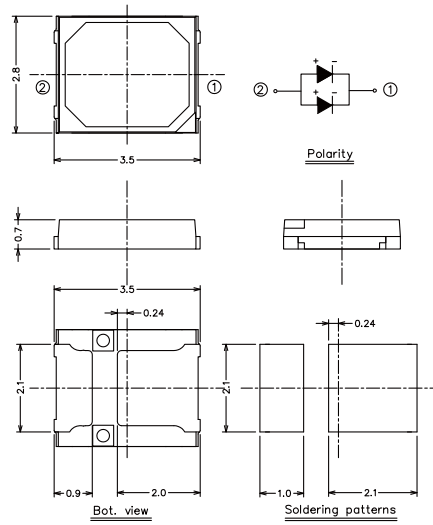
0.5W / 3V / 150mA

Product	Size (LxWxHmm)	Forward Voltage (V)	Forward Current (mA)	Color	CCT (K)	Luminous Flux (Min.)	Luminous Flux (Typ.)	CRI (min.)
67-21S/KK6C-H2727R3R62834Z15/2T	2.8x3.5x0.7	2.8 - 3.4	150	● Warm White	2700K	60	63	80
67-21S/KK6C-H3030R4R72834Z15/2T	2.8x3.5x0.7	2.8 - 3.4	150	● Warm White	3000K	65	68	80
67-21S/KK6C-H4040R4R72834Z15/2T	2.8x3.5x0.7	2.8 - 3.4	150	○ Neutral White	4000K	65	68	80
67-21S/KK6C-H5050R5R82834Z15/2T	2.8x3.5x0.7	2.8 - 3.4	150	○ Cool White	5000K	70	73	80
67-21S/KK6C-H5757R5R82834Z15/2T	2.8x3.5x0.7	2.8 - 3.4	150	○ Cool White	5700K	70	73	80
67-21S/KK6C-H6565R5R82834Z15/2T	2.8x3.5x0.7	2.8 - 3.4	150	○ Cool White	6500K	70	73	80

Low Middle Power LED | 67-22ST (2835)



UNIT : mm



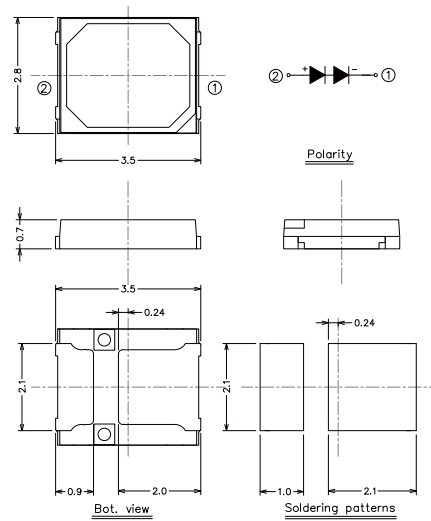
0.2W / 3V / 65mA

Product	Size (LxWxHmm)	Forward Voltage (V)	Forward Current (mA)	Color	CCT (K)	Luminous Flux (Min.)	Luminous Flux (Typ.)	CRI (min.)
67-22ST/KK6C-M2727X0Y02530U6/2T	2.8x3.5x0.7	2.5 - 3.0	65	● Warm White	2700	30	33	80
67-22ST/KK6C-M3030X1Y12530U6/2T	2.8x3.5x0.7	2.5 - 3.0	65	● Warm White	3000	31	34	80
67-22ST/KK6C-M3535X1Y12530U6/2T	2.8x3.5x0.7	2.5 - 3.0	65	● Warm White	3500	31	34	80
67-22ST/KK6C-M4040X2Y22530U6/2T	2.8x3.5x0.7	2.5 - 3.0	65	○ Neutral White	4000	32	35	80
67-22ST/KK6C-M5050X3Y32530U6/2T	2.8x3.5x0.7	2.5 - 3.0	65	○ Cool White	5000	33	36	80
67-22ST/KK6C-M5757X3Y32530U6/2T	2.8x3.5x0.7	2.5 - 3.0	65	○ Cool White	5700	33	36	80
67-22ST/KK6C-M6565X2Y22530U6/2T	2.8x3.5x0.7	2.5 - 3.0	65	○ Cool White	6500	32	35	80

Low Middle Power LED | 67-22ST (2835)



UNIT : mm



0.5W / 6V / 80mA

Product	Size (LxWxHmm)	Forward Voltage (V)	Forward Current (mA)	Color	CCT (K)	Luminous Flux (Min.)	Luminous Flux (Typ.)	CRI (min.)
67-22ST/KK4C-H2727R2R55670Z8/2T	2.8x3.5x0.7	5.6 - 7.0	80	● Warm White	2700K	55	61	80
67-22ST/KK4C-H3030R3R65670Z8/2T	2.8x3.5x0.7	5.6 - 7.0	80	● Warm White	3000K	60	66	80
67-22ST/KK4C-H4040R3R65670Z8/2T	2.8x3.5x0.7	5.6 - 7.0	80	○ Neutral White	4000K	60	66	80
67-22ST/KK4C-H5050R4R75670Z8/2T	2.8x3.5x0.7	5.6 - 7.0	80	○ Cool White	5000K	65	72	80
67-22ST/KK4C-H5757R4R75670Z8/2T	2.8x3.5x0.7	5.6 - 7.0	80	○ Cool White	5700K	65	72	80
67-22ST/KK4C-H6565R4R75670Z8/2T	2.8x3.5x0.7	5.6 - 7.0	80	○ Cool White	6500K	65	72	80

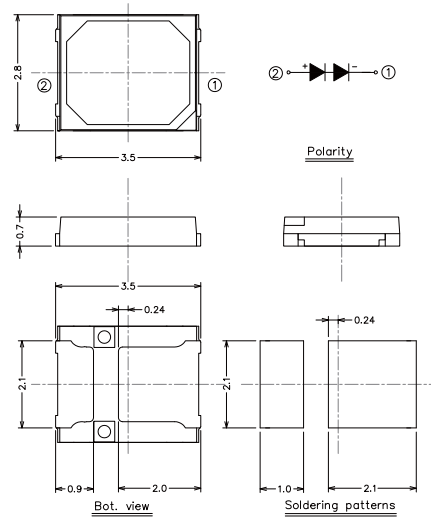
0.5W / 18V / 30mA

Product	Size (LxWxHmm)	Forward Voltage (V)	Forward Current (mA)	Color	CCT (K)	Luminous Flux (Min.)	Luminous Flux (Typ.)	CRI (min.)
67-22ST/KK4C-H2727R4R7A7A9Z3/2T	2.8x3.5x0.7	17 - 19	30	● Warm White	2700K	65	72	80
67-22ST/KK4C-H3030R5R8A7A9Z3/2T	2.8x3.5x0.7	17 - 19	30	● Warm White	3000K	70	77	80
67-22ST/KK4C-H3535R5R8A7A9Z3/2T	2.8x3.5x0.7	17 - 19	30	● Warm White	3500K	70	77	80
67-22ST/KK4C-H4040R5R8A7A9Z3/2T	2.8x3.5x0.7	17 - 19	30	○ Neutral White	4000K	70	77	80
67-22ST/KK4C-H5050R5BR8A7A9Z3/2T	2.8x3.5x0.7	17 - 19	30	○ Cool White	5000K	73	80	80
67-22ST/KK4C-H5757R5BR8A7A9Z3/2T	2.8x3.5x0.7	17 - 19	30	○ Cool White	5700K	73	80	80
67-22ST/KK4C-H6565R5R8A7A9Z3/2T	2.8x3.5x0.7	17 - 19	30	○ Cool White	6500K	70	77	80

Low Middle Power LED | 67-22ST (2835)



UNIT : mm



1W / 6V / 150mA

Product	Size (LxWxHmm)	Forward Voltage (V)	Forward Current (mA)	Color	CCT (K)	Luminous Flux (Min.)	Luminous Flux (Typ.)	CRI (min.)
67-22ST/HK4C-H2727R8S25868Z15/2T	2.8x3.5x0.7	5.8 - 6.8	150	● Warm White	2700	90	99	90
67-22ST/HK4C-H3030R8BS35868Z15/2T	2.8x3.5x0.7	5.8 - 6.8	150	● Warm White	3000	95	105	90
67-22ST/HK4C-H4040S1S45868Z15/2T	2.8x3.5x0.7	5.8 - 6.8	150	○ Neutral White	4000	100	110	90
67-22ST/HK4C-H5050S1S45868Z15/2T	2.8x3.5x0.7	5.8 - 6.8	150	○ Cool White	5000	100	110	90
67-22ST/HK4C-H5757S1S45868Z15/2T	2.8x3.5x0.7	5.8 - 6.8	150	○ Cool White	5700	100	110	90
67-22ST/HK4C-H6565S1S45868Z15/2T	2.8x3.5x0.7	5.8 - 6.8	150	○ Cool White	6500	100	110	90

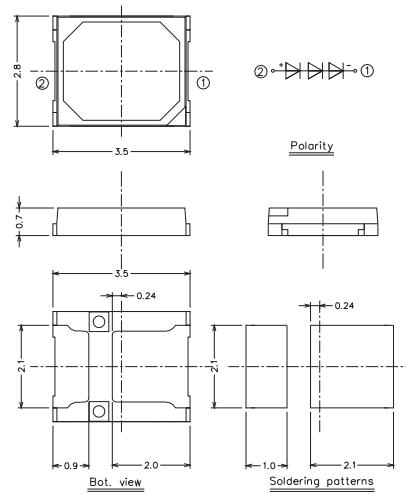
1W / 6V / 150mA

Product	Size (LxWxHmm)	Forward Voltage (V)	Forward Current (mA)	Color	CCT (K)	Luminous Flux (Min.)	Luminous Flux (Typ.)	CRI (min.)
67-22ST/KK5C-H2727S3S75668Z15/2T	2.8x3.5x0.7	5.6 - 6.8	150	● Warm White	2700	120	132	80
67-22ST/KK5C-H3030S3BS75668Z15/2T	2.8x3.5x0.7	5.6 - 6.8	150	● Warm White	3000	125	138	80
67-22ST/KK5C-H3535S3BS75668Z15/2T	2.8x3.5x0.7	5.6 - 6.8	150	● Warm White	3500	125	138	80
67-22ST/KK5C-H4040S3BS75668Z15/2T	2.8x3.5x0.7	5.6 - 6.8	150	○ Neutral White	4000	125	138	80
67-22ST/KK5C-H5050S4S85668Z15/2T	2.8x3.5x0.7	5.6 - 6.8	150	○ Cool White	5000	130	143	80
67-22ST/KK5C-H6565S4S85668Z15/2T	2.8x3.5x0.7	5.6 - 6.8	150	○ Cool White	6500	130	143	80

Low Middle Power LED | 67-23ST (2835)



UNIT : mm



0.5W / 9V / 60mA

Product	Size (LxWxHmm)	Forward Voltage (V)	Forward Current (mA)	Color	CCT (K)	Luminous Flux (Min.)	Luminous Flux (Typ.)	CRI (min.)
67-23ST/KK4C-H2727R5R88496Z6/2T	2.8x3.5x0.7	8.4 - 9.6	60	● Warm White	2700K	70	77	80
67-23ST/KK4C-H3030R5BR88496Z6/2T	2.8x3.5x0.7	8.4 - 9.6	60	● Warm White	3000K	73	80	80
67-23ST/KK4C-H4040R6S18496Z6/2T	2.8x3.5x0.7	8.4 - 9.6	60	○ Neutral White	4000K	76	84	80
67-23ST/KK4C-H5050R6S18496Z6/2T	2.8x3.5x0.7	8.4 - 9.6	60	○ Cool White	5000K	76	84	80
67-23ST/KK4C-H5757R6S18496Z6/2T	2.8x3.5x0.7	8.4 - 9.6	60	○ Cool White	5700K	76	84	80
67-23ST/KK4C-H6060R6S18496Z6/2T	2.8x3.5x0.7	8.4 - 9.6	60	○ Cool White	6000K	76	84	80
67-23ST/KK4C-H6565R6S18496Z6/2T	2.8x3.5x0.7	8.4 - 9.6	60	○ Cool White	6500K	76	84	80

1W / 9V / 100mA

Product	Size (LxWxHmm)	Forward Voltage (V)	Forward Current (mA)	Color	CCT (K)	Luminous Flux (Min.)	Luminous Flux (Typ.)	CRI (min.)
67-23ST/KK3C-H2727S2S59099Z10/2T	2.8x3.5x0.7	9.0 - 9.9	100	● Warm White	2700K	110	121	80
67-23ST/KK3C-H3030S2BS59099Z10/2T	2.8x3.5x0.7	9.0 - 9.9	100	● Warm White	3000K	115	127	80
67-23ST/KK3C-H3535S2BS59099Z10/2T	2.8x3.5x0.7	9.0 - 9.9	100	● Warm White	3500K	115	127	80
67-23ST/KK3C-H4040S2BS59099Z10/2T	2.8x3.5x0.7	9.0 - 9.9	100	○ Neutral White	4000K	115	127	80
67-23ST/KK3C-H5050S3S69099Z10/2T	2.8x3.5x0.7	9.0 - 9.9	100	○ Cool White	5000K	120	132	80
67-23ST/KK3C-H5757S3S69099Z10/2T	2.8x3.5x0.7	9.0 - 9.9	100	○ Cool White	5700K	120	132	80
67-23ST/KK3C-H6565S3S69099Z10/2T	2.8x3.5x0.7	9.0 - 9.9	100	○ Cool White	6500K	120	132	80

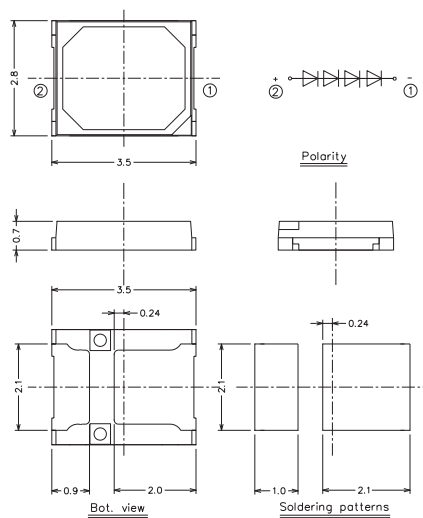
1W / 9V / 100mA

Product	Size (LxWxHmm)	Forward Voltage (V)	Forward Current (mA)	Color	CCT (K)	Luminous Flux (Min.)	Luminous Flux (Typ.)	CRI (min.)
67-23ST/KK4C-H2727S2BS59099Z10/2T	2.8x3.5x0.7	9.0 - 9.9	100	● Warm White	2700K	115	127	80
67-23ST/KK4C-H3030S3S69099Z10/2T	2.8x3.5x0.7	9.0 - 9.9	100	● Warm White	3000K	120	132	80
67-23ST/KK4C-H3535S3S69099Z10/2T	2.8x3.5x0.7	9.0 - 9.9	100	● Warm White	3500K	120	132	80
67-23ST/KK4C-H4040S3S69099Z10/2T	2.8x3.5x0.7	9.0 - 9.9	100	○ Neutral White	4000K	120	132	80
67-23ST/KK4C-H5050S3BS69099Z10/2T	2.8x3.5x0.7	9.0 - 9.9	100	○ Cool White	5000K	125	138	80
67-23ST/KK4C-H5757S3BS69099Z10/2T	2.8x3.5x0.7	9.0 - 9.9	100	○ Cool White	5700K	125	138	80
67-23ST/KK4C-H6565S3BS69099Z10/2T	2.8x3.5x0.7	9.0 - 9.9	100	○ Cool White	6500K	125	138	80

Low Middle Power LED | 67-24ST (2835)



UNIT : mm



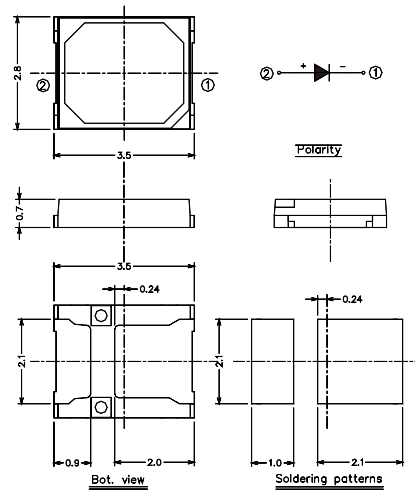
1W / 12V / 80mA

Product	Size (LxWxHmm)	Forward Voltage (V)	Forward Current (mA)	Color	CCT (K)	Luminous Flux (Min.)	Luminous Flux (Typ.)	CRI (min.)
67-24ST/KK4C-H27115130Z8/2T	2.8x3.5x0.7	13	80	● Warm White	2700K	115	127	80
67-24ST/KK4C-H30120130Z8/2T	2.8x3.5x0.7	13	80	● Warm White	3000K	120	132	80
67-24ST/KK4C-H35120130Z8/2T	2.8x3.5x0.7	13	80	● Warm White	3500K	120	132	80
67-24ST/KK4C-H40125130Z8/2T	2.8x3.5x0.7	13	80	○ Neutral White	4000K	125	138	80
67-24ST/KK4C-H50125130Z8/2T	2.8x3.5x0.7	13	80	○ Cool White	5000K	125	138	80
67-24ST/KK4C-H57125130Z8/2T	2.8x3.5x0.7	13	80	○ Cool White	5700K	125	138	80
67-24ST/KK4C-H65125130Z8/2T	2.8x3.5x0.7	13	80	○ Cool White	6500K	125	138	80

Low Middle Power LED | Color 2835



UNIT : mm



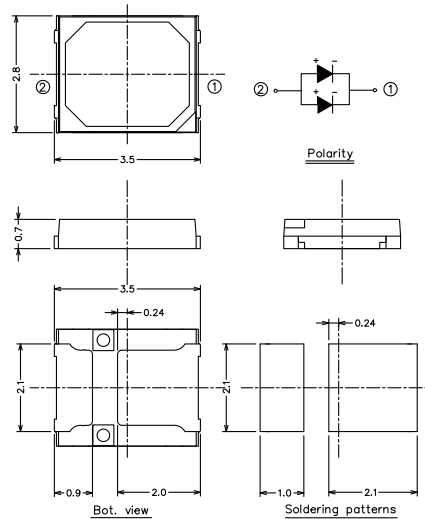
Color 2835 60mA

Product	Size (LxWxHmm)	Forward Voltage (V)	Forward Current (mA)	Color	Wavelength / CCT (nm) (K)	Luminous Flux (Min.)	Luminous Flux (Typ.)
67-21S/NFR2C-P2050A3B21522Z6/2T	2.8x3.5x0.7	1.5V-2.2V	60mA	Far Red	720-750nm	15	25
67-21S/NDR2C-P5080B2C12029Z6/2T	2.8x3.5x0.7	2.0V-2.9V	60mA	Deep Red	650-680nm	40	60
67-21S/R2C-D2030B8L31926Z6/2T	2.8x3.5x0.7	1.9V-2.6V	60mA	Red	620-630nm	9	10
67-21S/Y2C-D8595B7L32128Z6/2T	2.8x3.5x0.7	2.1V-2.8V	60mA	Amber	585-595nm	8.5	9.5
67-21S/B3C-D5060D5D72936Z6/2T	2.8x3.5x0.7	2.9V-3.6V	60mA	Royal Blue	450-460nm	2.5	3
67-21S/YK2C-D1720L8M42833Z6/2T	2.8x3.5x0.7	2.8V-3.3V	60mA	PC Amber	585-595nm (1700K-2000K)	17	19

Low Middle Power LED



UNIT : mm



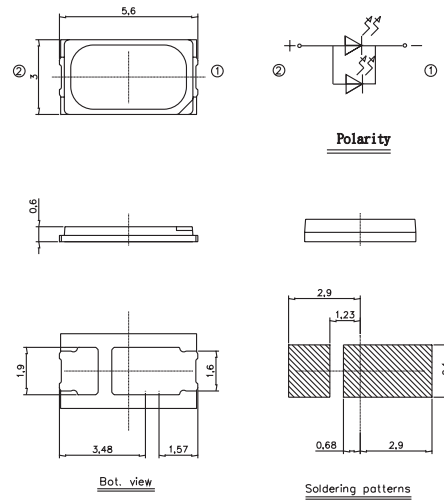
Color 2835 60mA

Product	Size (LxWxHmm)	Forward Voltage (V)	Forward Current (mA)	Color	Wavelength / CCT (nm) (K)	Luminous Flux (Min.)	Luminous Flux (Typ.)
67-22S/G2C-D1525L4L82934Z6/2T	2.8x3.5x0.7	2.9V-3.4V	60mA	Green	515-525nm	13	15
67-22S/B2C-D6075D4D73037Z6/2T	2.8x3.5x0.7	3.0V-3.7V	60mA	Blue	460-475nm	2	3
67-22ST/B2C-P3545D2D92936Z6/2T	2.8x3.5x0.7	2.9V-3.6V	60mA	Violet	435-445nm	1	3

Low Middle Power LED | 62-227ET (5630 HE)



UNIT : mm



5630-KK7D / 0.2W

Product	Size (LxWxHmm)	Forward Voltage (V)	Forward Current (mA)	Color	CCT (K)	Luminous Flux (Min.)	Luminous Flux (Typ.)	CRI (min.)	Luminous Efficacy (lm/W)
62-227ET/KK7D-3M2727X2Y22530U6/2T	5.6x3.0x0.6	2.5 - 3.0	65	● Warm White	2700K	32	34	80	190
62-227ET/KK7D-3M3030X3Y32530U6/2T	5.6x3.0x0.6	2.5 - 3.0	65	● Warm White	3000K	33	35	80	196
62-227ET/KK7D-3M3535X3Y32530U6/2T	5.6x3.0x0.6	2.5 - 3.0	65	● Warm White	3500K	33	35	80	196
62-227ET/KK7D-3M4040X5Y52530U6/2T	5.6x3.0x0.6	2.5 - 3.0	65	○ Neutral White	4000K	35	37	80	207
62-227ET/KK7D-3M5050X6Y62530U6/2T	5.6x3.0x0.6	2.5 - 3.0	65	○ Cool White	5000K	36	38	80	213
62-227ET/KK7D-3M5757X6Y62530U6/2T	5.6x3.0x0.6	2.5 - 3.0	65	○ Cool White	5700K	36	38	80	213
62-227ET/KK7D-3M6565X5Y52530U6/2T	5.6x3.0x0.6	2.5 - 3.0	65	○ Cool White	6500K	35	37	80	207

5630-KK8D / 0.2W

Product	Size (LxWxHmm)	Forward Voltage (V)	Forward Current (mA)	Color	CCT (K)	Luminous Flux (Min.)	Luminous Flux (Typ.)	CRI (min.)	Luminous Efficacy (lm/W)
62-227ET/KK8D-3M2727X4Y42530U6/2T	5.6x3.0x0.6	2.5 - 3.0	65	● Warm White	2700K	34	36	80	201
62-227ET/KK8D-3M3030X5Y52530U6/2T	5.6x3.0x0.6	2.5 - 3.0	65	● Warm White	3000K	35	37	80	207
62-227ET/KK8D-3M3535X5Y52530U6/2T	5.6x3.0x0.6	2.5 - 3.0	65	● Warm White	3500K	35	37	80	207
62-227ET/KK8D-3M4040X7Y72530U6/2T	5.6x3.0x0.6	2.5 - 3.0	65	○ Neutral White	4000K	37	38	80	213
62-227ET/KK8D-3M5050X8Y82530U6/2T	5.6x3.0x0.6	2.5 - 3.0	65	○ Cool White	5000K	38	39	80	218
62-227ET/KK8D-3M5757X8Y82530U6/2T	5.6x3.0x0.6	2.5 - 3.0	65	○ Cool White	5700K	38	39	80	218
62-227ET/KK8D-3M6565X7Y72530U6/2T	5.6x3.0x0.6	2.5 - 3.0	65	○ Cool White	6500K	37	38	80	213

UV | ELUFA



UNIT : mm



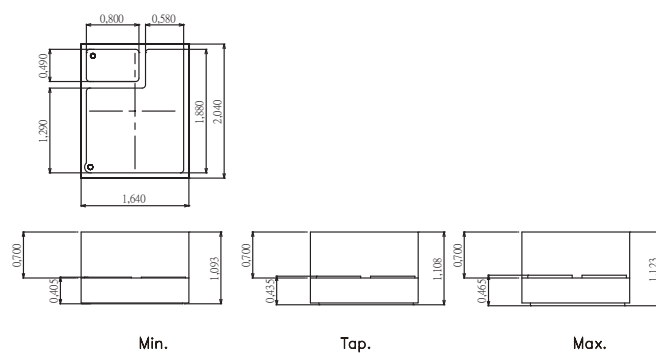
365-405nm / 0.08W / 3.5V / 20mA

Product	Size (LxWxHmm)	Forward Voltage (V)	Forward Current (mA)	Wavelength (nm)	Radiant Flux (mW)	
					Min.	TYP
ELUFA-Q30U1-0VPNE-DP2P3	2.04x1.64x0.75	2.95-4.15	20	365~375	15.0	20
ELUFA-Q40U1-0VPNE-DP5P6	2.04x1.64x0.75	2.95-4.15	20	380-390	20.0	25
ELUFA-Q40U1-0VPNE-DP7P8	2.04x1.64x0.75	2.95-4.15	20	390-400	20.0	25
ELUFA-Q40U1-0VPNE-DP9P0	2.04x1.64x0.75	2.95-4.15	20	400-410	20.0	25

UV | ELUMFA



UNIT : mm



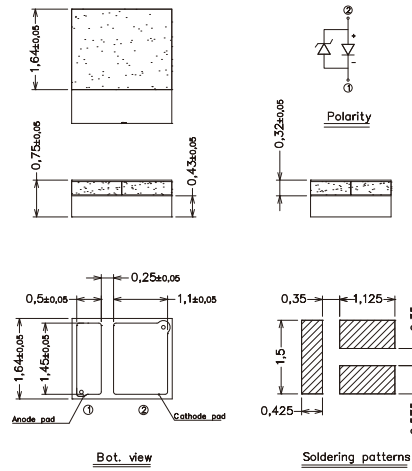
365-405nm / 0.3W / 3V / 100mA

Product	Size (LxWxHmm)	Forward Voltage (V)	Forward Current (mA)	Wavelength (nm)	Radiant Flux (mW) (Min)
ELUMFA-Q60U0-OUPNE-DP2P3(ZR)	2.04x1.64x0.75	3.2~3.8	60	365-375	50

UV | ELUHFA



UNIT : mm



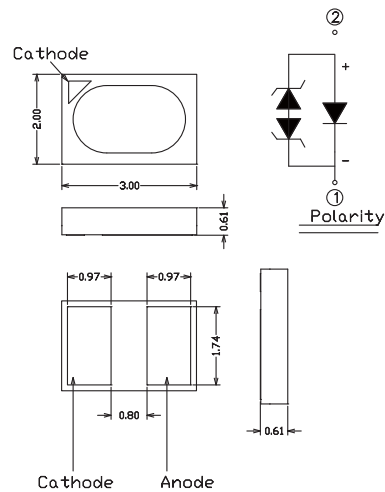
365-405nm / 1.8W / 3.6V / 700mA

Product	Size (LxWxHmm)	Forward Voltage (V)	Forward Current (mA)	Wavelength (nm)	Radiant Flux (mW)	
					Min.	TYP
ELUFA-R30U1-0VPNE-DP2P3	2.04x1.64x0.75	3.25-4.15	500	365-375	550.0	600
ELUFA-R40U1-0VPNE-CP5P6	2.04x1.64x0.75	2.95-3.85	500	380-390	600.0	660
ELUFA-R50U1-0VPNE-CP7P8	2.04x1.64x0.75	2.95-3.85	500	390-400	700.0	770
ELUFA-R50U1-0VPNE-CP9P0	2.04x1.64x0.75	2.95-3.85	500	400-410	700.0	770

UV | ELULA



UNIT : mm



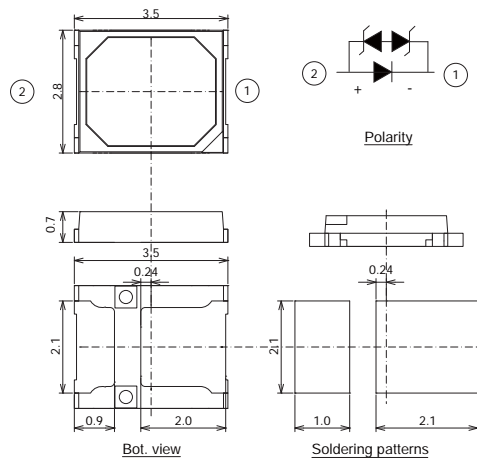
365-405nm / 0.08W / 3.5V / 20mA

Product	Size (LxWxHmm)	Forward Voltage (V)	Forward Current (mA)	Wavelength (nm)	Radiant Flux (mW)	
					Min.	TYP
ELULA-Q40U1-0VPNE-DP2P3	3.0x2.0x0.65	3.4-4	20	365-375	20	25
ELULA-Q50U1-0VPNE-DP5P6	3.0x2.0x0.65	3.2-3.8	20	380-390	25	30
ELULA-Q50U1-0VPNE-DP7P8	3.0x2.0x0.65	3-3.6	20	390-400	25	30
ELULA-Q50U1-0VPNE-DP9P0	3.0x2.0x0.65	3-3.6	20	400-410	25	30

UV | ELULLA



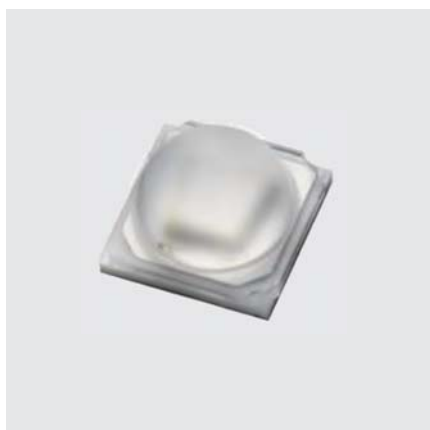
UNIT : mm



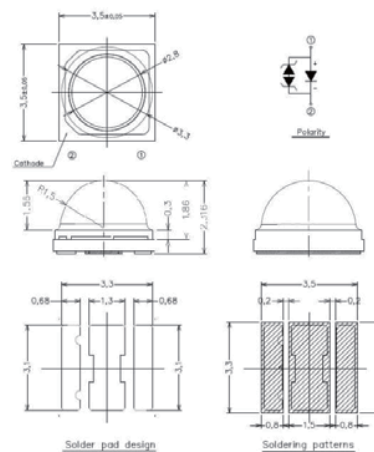
365nm / 0.3W / 3.5V / 100mA

Product	Size (LxWxHmm)	Forward Voltage (V)	Forward Current (mA)	Wavelength (nm)	Radiant Flux (mW)	
					TYP	
ELUA2835TGB-P6080R83240100-V21M	2.8x3.5x0.7	3.2-4.0	100	360-380	97	

UV | ELUMA



UNIT : mm



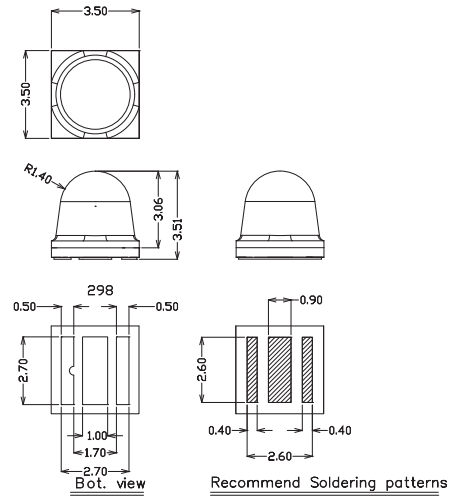
365-405nm / 1.8W / 3.6V / 700mA

Product	Size (LxWxHmm)	Forward Voltage (V)	Forward Current (mA)	Wavelength (nm)	Radiant Flux (mW)	
					Min.	TYP
ELUMA-R51U1-0VPNE-DP2P3	3.5x3.5x2.35	3.25-4.15	500	365-375	700.0	800
ELUMA-R71U1-0VPNE-CP5P6	3.5x3.5x2.35	2.95-3.85	500	380-390	900.0	1000
ELUMA- R71U1-0VPNE-CP7P8	3.5x3.5x2.35	2.95-3.85	500	390-400	900.0	1000
ELUMA- R71U1-0VPNE-CP9P0	3.5x3.5x2.35	2.95-3.85	500	400-410	900.0	1000

UV | ELUM5A



UNIT : mm



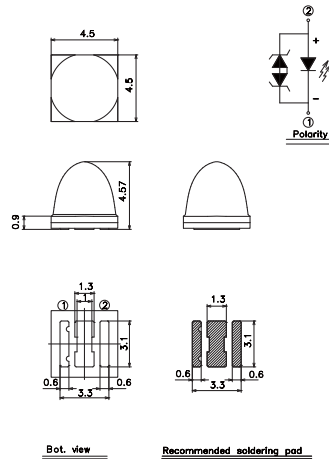
365-405nm / 1.8W / 3.6V / 700mA

Product	Size (LxWxHmm)	Forward Voltage (V)	Forward Current (mA)	Wavelength (nm)	Radiant Flux (mW)	
					Min.	TYP
ELUM5A-R51U1-0VPNE-DP2P3	3.5x3.5x3.5	3.25-4.15	500	365-375	700.0	800
ELUM5A-R71U1-0VPNE-CP5P6	3.5x3.5x3.5	2.95-3.85	500	380-390	900.0	1000
ELUM5A-R71U1-0VPNE-CP7P8	3.5x3.5x3.5	2.95-3.85	500	390-400	900.0	1000
ELUM5A-R71U1-0VPNE-CP9P0	3.5x3.5x3.5	2.95-3.85	500	400-410	900.0	1000

UV | ELUM3A



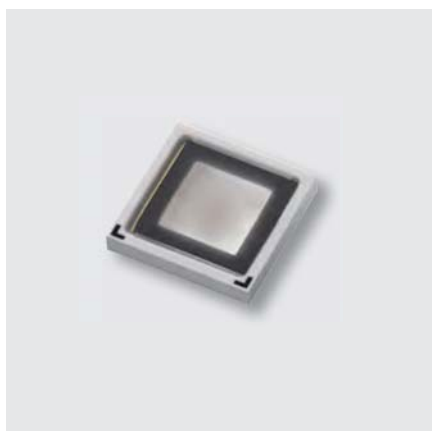
UNIT : mm



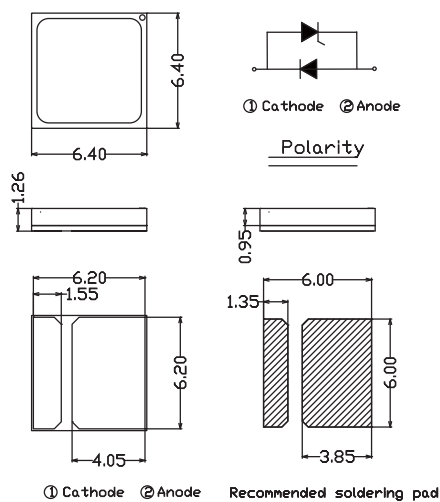
365-405nm / 1.8W / 3.5V / 700mA

Product	Size (LxWxHmm)	Forward Voltage (V)	Forward Current (mA)	Wavelength (nm)	Radiant Flux (mW)	
					Min.	TYP
ELUM3A-R51U1-0VPNE-DP2P3	4.5x4.5x4.5	3.25-4.15	500	365-375	700.0	800
ELUM3A-R71U1-0VPNE-CP5P6	4.5x4.5x4.5	2.95-3.85	500	380-390	900.0	1000
ELUM3A-R71U1-0VPNE-CP7P8	4.5x4.5x4.5	2.95-3.85	500	390-400	900.0	1000
ELUM3A-R71U1-0VPNE-CP9P0	4.5x4.5x4.5	2.95-3.85	500	400-410	900.0	1000

UV I ELUC



UNIT : mm



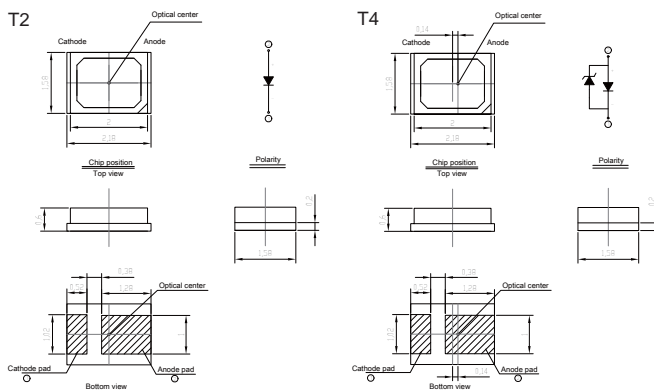
270-290nm

Product	Size (LxWxHmm)	Forward Voltage (V)	Forward Current (mA)	Wavelength (nm)	Radiant Flux (mW)
					TYP
ELUC6464LUB-P7080Q45272350-SD1Q	6.4x6.4x1.0	6.3	350	270-290	23

Flash LED | High Power Flash LED | 2016 Package



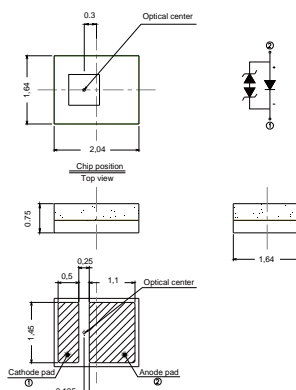
UNIT : mm



Product	Size (LxWxHmm)	Color	CCT (K)	Typ. Luminous Flux (lm)	Forward Voltage (V)	I _F (mA)
ELEM-5070E6F22838Z6-T2W	2.18x1.58x0.6	○ White	5000~7000	19	2.8~3.85	60
ELEM-5070F3F82838Z15-T4W	2.18x1.58x0.6	○ White	5000~7000	45	2.85~3.85	150



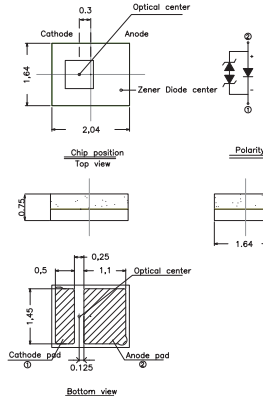
UNIT : mm



Product	Size (LxWxHmm)	Color	CCT (K)	Typ. Luminous Flux (lm)	Forward Voltage (V)	I _F (mA)
ELCH04-NF5070F9J3294105-N1S	2.04x1.64x0.75	○ White	5000~7000	110	2.95~4.15	500
ELCH05-NB5065J4J6294310-N1S	2.04x1.64x0.75	○ White	5000~6500	160	2.95~4.35	1000

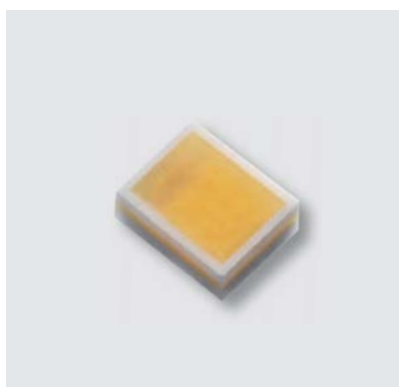


UNIT : mm

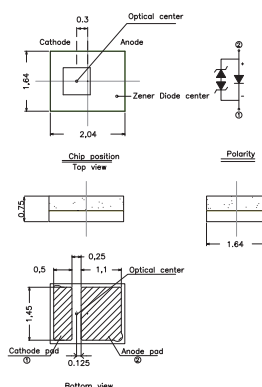


Product	Size (LxWxHmm)	Color	CCT (K)	Typ. Luminous Flux (lm)	Forward Voltage (V)	I _F (mA)
ELCH07-NB5060J6J8283910-FCS	2.04x1.64x0.75	○ White	5000~6000	250	2.85~3.95	1000
ELCH08-NB5060J7J9283910-FDS	2.04x1.64x0.75	○ White	5000~6000	300	2.85~3.95	1000

Flash LED | High Power Flash LED | 2016 Package HCRI Type



UNIT : mm

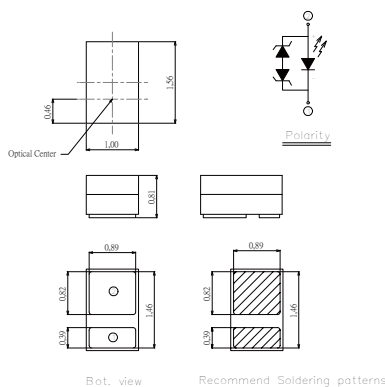


Product	Size (LxWxHmm)	Color	CCT (K)	Typ. Luminous Flux (lm)	Forward Voltage (V)	CRI	I _F (mA)
ELCH08-HB3545J5J7283910-FIS	2.04x1.64x0.75	○ White	3500~4500	210	2.85~3.95	>90	1000

Flash LED | High Power Flash LED | 1610 Package Dual Type



UNIT : mm

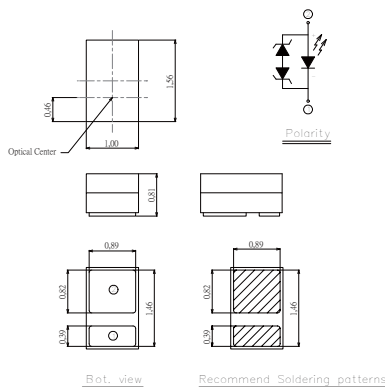


Product	Size (LxWxHmm)	Color	CCT (K)	Typ. Luminous Flux (lm)	Forward Voltage (V)	I _F (mA)
ELAT07-NB1924J4J6293910-F1M	1.0x1.56x0.81	● Warm White	1950K~2450K	190	2.95~3.95	1000
ELAT07-NB5060J6J7293910-F1S	1.0x1.56x0.81	○ Cool White	5000K~6000K	230	2.95~3.95	1000

Flash LED | High Power Flash LED | 1610 Package HCRI Type

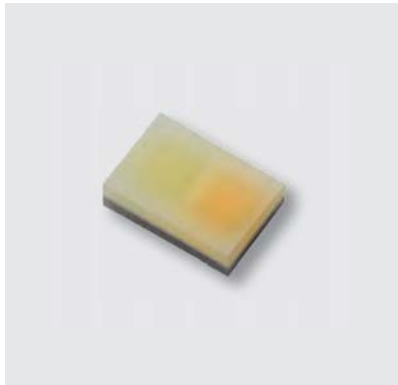


UNIT : mm

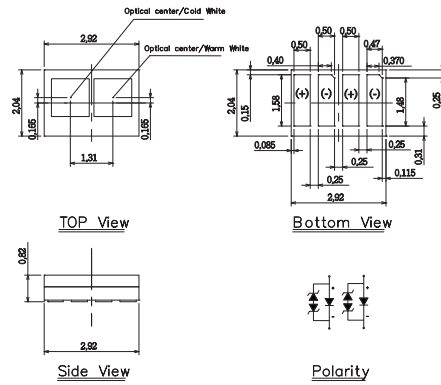


Product	Size (LxWxHmm)	Color	CCT (K)	Typ. Luminous Flux (lm)	Forward Voltage (V)	CRI	I _F (mA)
ELAT07-KB4050J5J7293910-F1S	1.0x1.56x0.81	○ White	4000~5000	190	2.95~3.95	>80	1000

Flash LED | High Power Flash LED | ELDA Series



UNIT : mm

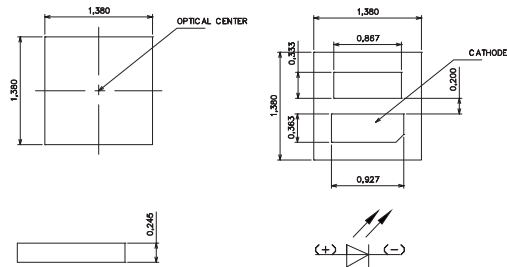


Product	Size (LxWxHmm)	Color	CCT (K)	Typ. Luminous Flux (lm)	Forward Voltage (V)	CRI	If (mA)
ELDA06-HB2555J3J8293910-FCX	2.92x2.04x0.82	○White	5000-6000 2250-2750	220 170	2.95-3.95	90	1000

Flash LED | High Power Flash LED | CSP Series

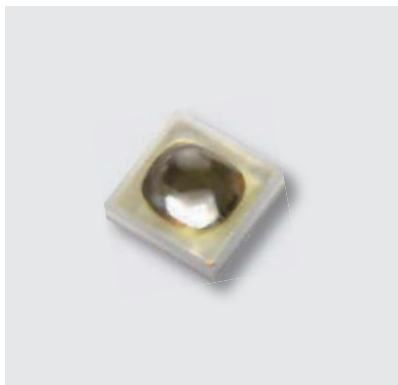


UNIT : mm

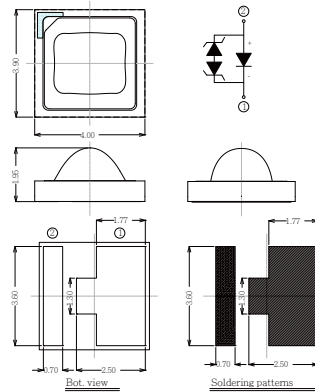


Product	Size (LxWxHmm)	Color	CCT (K)	Typ. Luminous Flux (lx)	Forward Voltage (V)	I _F (mA)
ELCS14B-NB5060J7J9283910-F4Z	1.38x1.38x0.245	○White	5000-6000	290	2.85-3.95	1000
ELCS14B-NB2025J5J7283910-F4Z	1.38x1.38x0.245	○White	2000-2500	210	2.85-3.95	1000

Flash LED | High Power Flash LED | Module Type



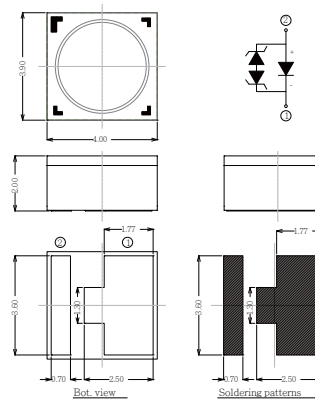
UNIT : mm



Product	Size (LxWxHmm)	Color	CCT (K)	Typ. Illuminance (lx)	Forward Voltage (V)	I _F (mA)
ELYU03-5070J5J7294310-N0	4.0x3.9x1.95	○ White	5000-7000	265	2.95-4.35	1000
ELYU03-5060J5J7294310-N0	4.0x3.9x1.95	○ White	5000-7000	265	2.95-4.35	1000



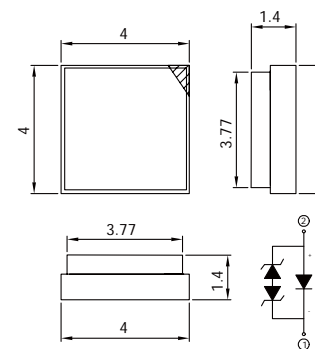
UNIT : mm



Product	Size (LxWxHmm)	Color	CCT (K)	Typ. Luminous Flux (lx)	Forward Voltage (V)	I _F (mA)
ELCU02-5070J5J7294310-N1	4.0x3.9x2	○ White	5000-7000	150	2.95-4.35	1000



UNIT : mm

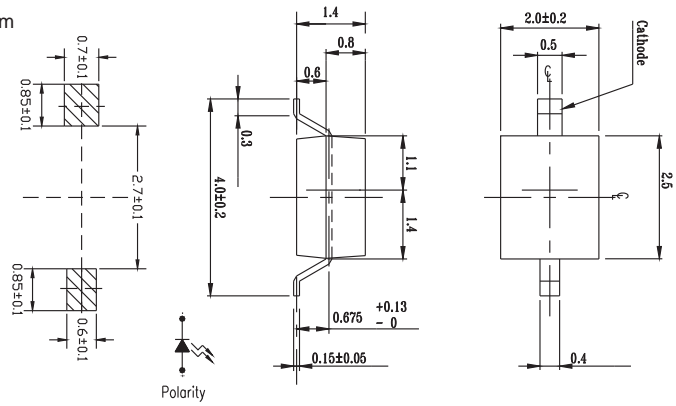


Product	Size (LxWxHmm)	Color	CCT (K)	Typ. Luminous Flux (lx)	Forward Voltage (V)	I _F (mA)
ELCU03-NF5060J3J5294110-E1S	4.0x4.0x1.4	○ White	5000-6000	170	2.95-3.95	1000
ELCU03-NF5060J6J8294110-E1S	4.0x4.0x1.4	○ White	5000-6000	260	2.95-3.95	1000

SMD LED | Subminiature LED Lamps (Leadframe)



UNIT : mm

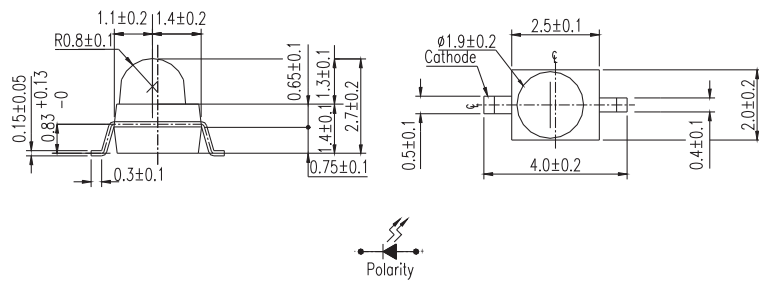


Product	Size (LxWxHmm)	Color	λ_d (nm)/ CIE(x,y)	I_v Min./Typ. (mcd)	I_v Max. (mcd)	V_F Min. (V)	V_F Typ. (V)	V_F Max. (V)	I_F (mA)
28-21SDRC/S530-A3/TR8	2.5x2.0x1.4	● Deep Red	639	20 / 27	N	1.7	2	2.4	20
28-21SURC/S530-A2/TR8	2.5x2.0x1.4	● Hyper Red	624	11 / 26	N	N	2	2.4	20
28-21UYC/S530-A3/TR8	2.5x2.0x1.4	● Super Yellow	589	21 / 33	N	N	2	2.4	20

SMD LED



UNIT : mm

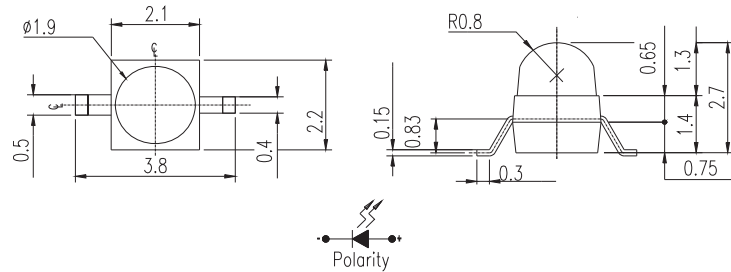


Product	Size (LxWxHmm)	Color	λ_d (nm)/ CIE(x,y)	I_v Min./Typ. (mcd)	I_v Max. (mcd)	V_F Min. (V)	V_F Typ. (V)	V_F Max. (V)	I_F (mA)
91-21SUBC/S400-A6/TR7	2.0x2.5x2.7	● Super Blue	470	650 / 800	N	N	3.5	4.0	20
91-21SUGC/S400-A4/TR7	2.0x2.5x2.7	● Super Green	525	2000 / 2300	N	N	3.5	4.3	20
91-21SURC/S530-A6/TR7	2.0x2.5x2.7	● Hyper Red	624	802 / 1232	N	N	2	2.4	20
91-21SYGC/S530-E4/TR7	2.0x2.5x2.7	● Super Yellow Green	573	528 / 594	N	N	2	2.4	20
91-21USRC/S530-A4/TR7	2.0x2.5x2.7	● Dark Red	631	344 / 578	N	N	2	2.4	20

SMD LED | Subminiature LED Lamps (Leadframe)



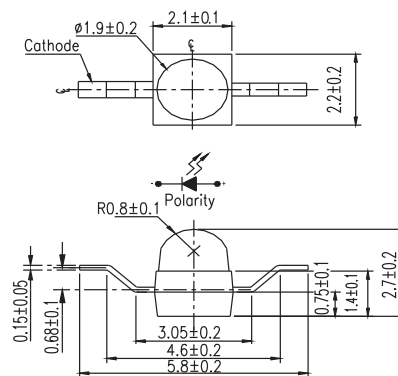
UNIT : mm



Product	Size (LxWxHmm)	Color	λ_d (nm)/CIE(x,y)	I_v Min./Typ. (mcd)	I_v Max. (mcd)	V_F Min. (V)	V_F Typ. (V)	V_F Max. (V)	I_F (mA)
95-21SUGC/S400-A4/TR7	2.1x2.2x2.7	● Super Green	525	2000 / 2300	N	N	3.5	4.3	20
95-21SYGC/S530-E2/TR7	2.1x2.2x2.7	● Brilliant Yellow Green	573	264 / 330	N	1.7	2	2.4	20
95-21USRD/S357/TR7	2.1x2.2x2.7	● Dark Red	631	45 / 100	N	N	2	2.4	20
95-21UYC/S530-A5/TR7	2.1x2.2x2.7	● Super Yellow	589	793 / 1156	N	N	2	2.4	20



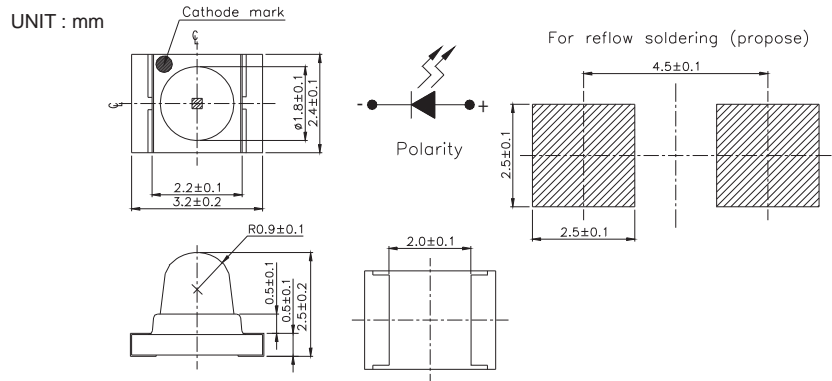
UNIT : mm



95-21F10/TR10

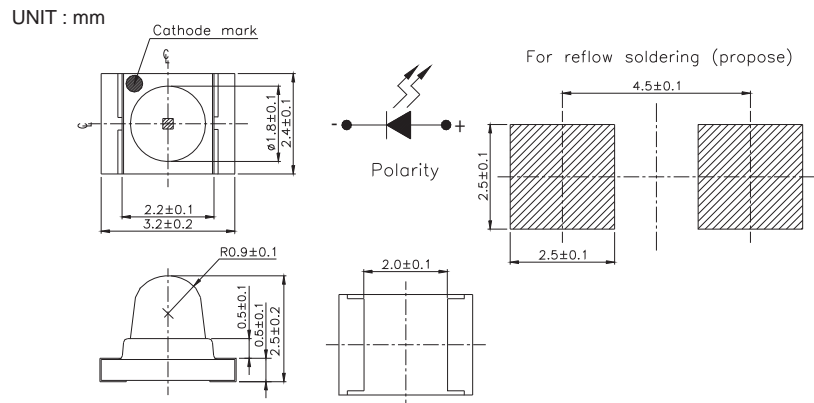
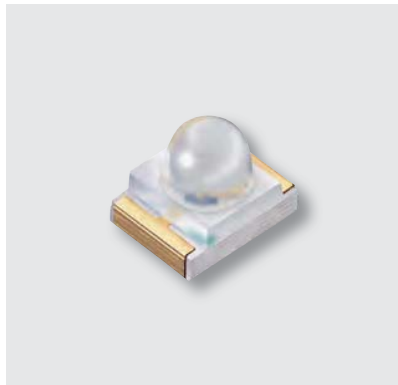
Product	Size (LxWxHmm)	Color	λ_d (nm)/CIE(x,y)	I_v Min./Typ. (mcd)	I_v Max. (mcd)	V_F Min. (V)	V_F Typ. (V)	V_F Max. (V)	I_F (mA)
95-21SDRC/S530-A3/TR10	2.1x2.2x2.7	● Brilliant Red	639	330 / 495	N	1.7	2	2.4	20
95-21SUBC/S400-A5/TR10	2.1x2.2x2.7	● Super Blue	470	500 / 800	N	N	3.5	4.3	20

SMD LED | Surface Mount Chip LED (PCB) | Top View LED



Product	Size (LxWxHmm)	Color	λ_d (nm)/ CIE(x,y)	I_v Min./Typ. (mcd)	I_v Max. (mcd)	V_F Min./Typ. (V)	V_F Max. (V)	I_F (mA)
42-21/BHC-AUW/1T	3.2x2.4x2.5	Blue	470	450	1800	2.7 / 3.3	3.7	20

SMD LED

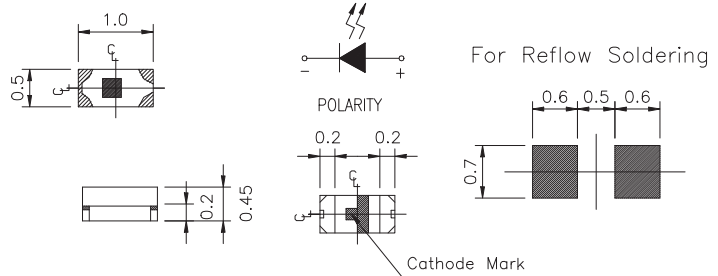


Product	Size (LxWxHmm)	Color	λ_d (nm)/ CIE(x,y)	I_v Min./Typ. (mcd)	I_v Max. (mcd)	V_F Min./Typ. (V)	V_F Max. (V)	I_F (mA)
42-21A/BHC-ZV1W2N/1T	3.2x2.4x2.5	Blue	470	715	1800	2.65	3.75	20
42-21A/GHC-YX1Y2N/1T	3.2x2.4x2.5	Brilliant Green	525	1800	4500	2.7	3.7	20

SMD LED | Surface Mount Chip LED (PCB) | Top View 0402 (0.2T~0.5T)



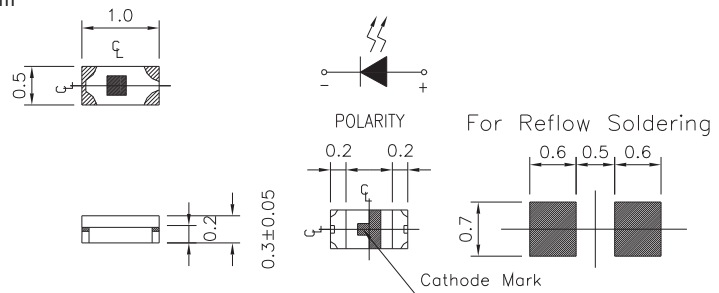
UNIT : mm



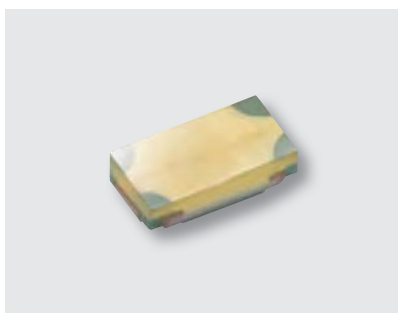
Product	Size (LxWxHmm)	Color	λ_d (nm)/CIE(x,y)	I_v Min./Typ. (mcd)	I_v Max. (mcd)	V_F Min./Typ. (V)	V_F Max. (V)	I_F (mA)
16-213/BHC-AN1P2/3T	1.0x0.5x0.45	● Blue	470	28.5	72	2.7 / 3.3	3.7	20
16-213/BHC-ZL1M2QY/3T	1.0x0.5x0.45	● Blue	470	11.5	28.5	2.7	3.2	5
16-213/GHC-YR1S1/3T	1.0x0.5x0.45	● Brilliant Green	525	112	225	2.7 / 3.3	3.7	20
16-213/R6C-A2225VZ/3T	1.0x0.5x0.45	● Brilliant Red	624	20	40.5	1.7	2.2	10
16-213/T3D-AP1Q2QY/3T	1.0x0.5x0.45	○ Pure White	x=0.29, y=0.30	45	112	2.7	3.2	5
16-213/T7D-AQ1R1QY/3T	1.0x0.5x0.45	○ Pure White	x=0.29, y=0.30	72	140	2.7	3.2	5



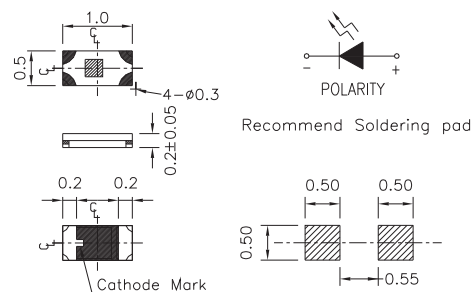
UNIT : mm



Product	Size (LxWxHmm)	Color	λ_d (nm)/CIE(x,y)	I_v Min./Typ. (mcd)	I_v Max. (mcd)	V_F Min./Typ. (V)	V_F Max. (V)	I_F (mA)
16-216/T3D-AQ1R2TY/3T	1.0x0.5x0.3	○ Pure White	x=0.29, y=0.30	72	180	2.6	3	5

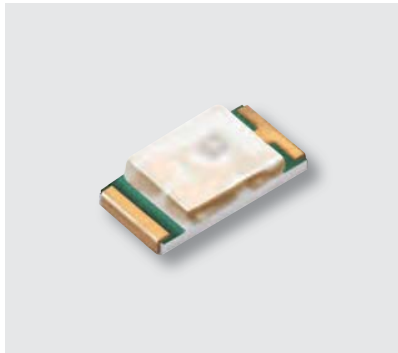


UNIT : mm

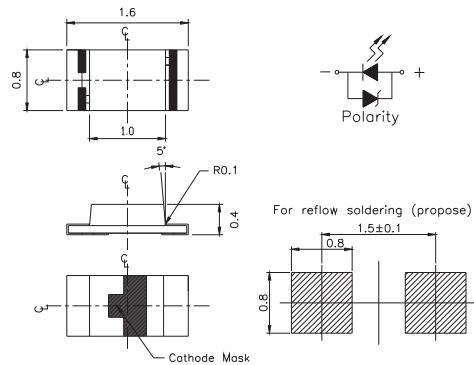


Product	Size (LxWxHmm)	Color	λ_d (nm)/CIE(x,y)	I_v Min./Typ. (mcd)	I_v Max. (mcd)	V_F Min./Typ. (V)	V_F Max. (V)	I_F (mA)
16-219A/T2D-AR2T1QY/3T	1.0x0.5x0.2	○ Pure White	x=0.29, y=0.30	140	360	2.7	3.2	5

SMD LED | Surface Mount Chip LED (PCB) | Top View 0603 (0.2T~0.8T)



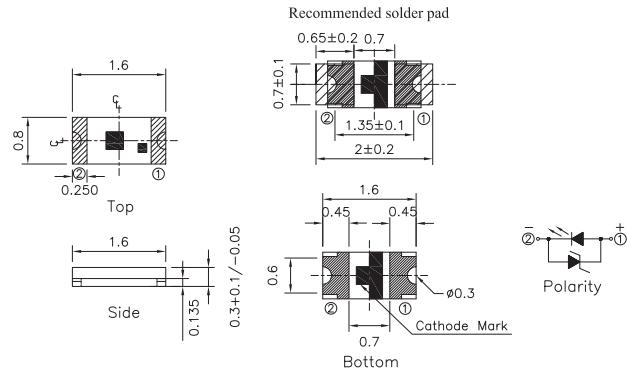
UNIT : mm



Product	Size (LxWxHmm)	Color	λ_d (nm)/CIE(x,y)	I_v Min./Typ. (mcd)	I_v Max. (mcd)	V_f Min./Typ. (V)	V_f Max. (V)	I_f (mA)
19-117/BHC-YJ2K2TX/3T	1.6x0.8x0.4	● Blue	470	5.8	11.5	2.6	3	2
19-117/BHC-ZL1M2RY/3T	1.6x0.8x0.4	● Blue	470	11.5	28.5	2.5	3.1	5
19-117/T1D-AP2Q2QY/3T	1.6x0.8x0.4	○ Pure White	x=0.274, y=0.226	57	112	2.7	3.2	5

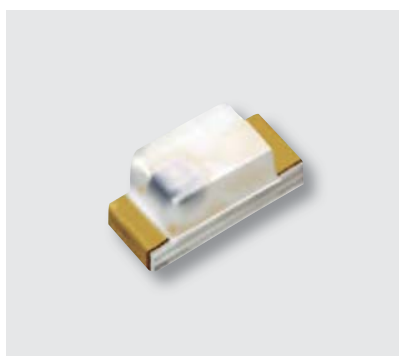


UNIT : mm

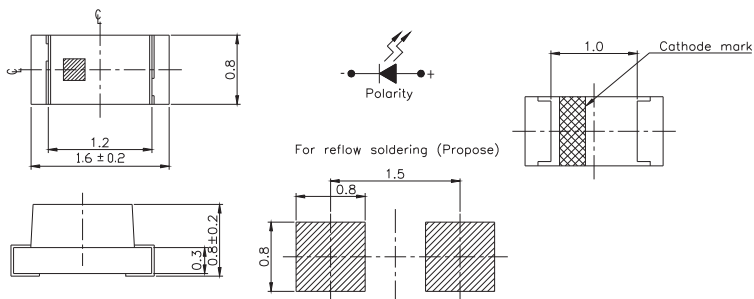


Product	Size (LxWxHmm)	Color	λ_d (nm)/CIE(x,y)	I_v Min./Typ. (mcd)	I_v Max. (mcd)	V_f Min./Typ. (V)	V_f Max. (V)	I_f (mA)
19-118/BHC-ZL1M2QY/3T	1.6x0.8x0.3	● Blue	470	11.5	28.5	2.7	3.2	5

SMD LED | Surface Mount Chip LED (PCB) | Top View 0603 (0.2T~0.8T)



UNIT : mm

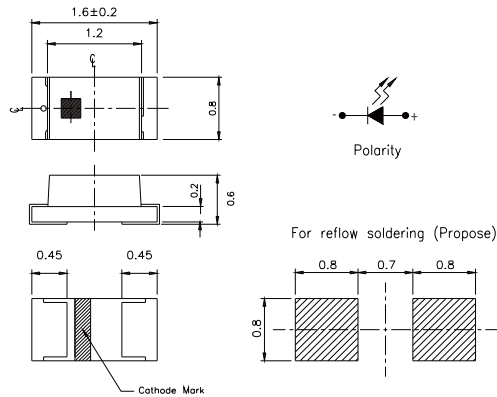


Product	Size (LxWxHmm)	Color	λ_d (nm)/CIE(x,y)	I_v Min./Typ. (mcd)	I_v Max. (mcd)	V_F Min./Typ. (V)	V_F Max. (V)	I_F (mA)
19-21/B6C-AP2Q2M/3T	1.6x0.8x0.8	Blue	470	57	112	2.75	3.95	20
19-21/BHC-AP1Q2/3T	1.6x0.8x0.8	Blue	470	45	112	2.7 / 3.3	3.7	20
19-21/BHC-YL1M1RY/3T	1.6x0.8x0.8	Blue	470	11.5	22.5	2.5	3.1	5
19-21/BHC-ZQ1R2N/3T	1.6x0.8x0.8	Blue	470	72	180	2.7	3.7	20
19-21/G6C-AL1M2LY/3T	1.6x0.8x0.8	Brilliant Yellow Green	573	11.5	28.5	1.7	2.3	5
19-21/G6C-FM1N2B/3T	1.6x0.8x0.8	Brilliant Yellow Green	573	18	45	1.75	2.35	20
19-21/G6C-FP1Q1L/3T	1.6x0.8x0.8	Brilliant Yellow Green	573	45	90	1.7	2.3	20
19-21/GHC-YN1P2QY/3T	1.6x0.8x0.8	Brilliant Green	525	28.5	72	2.7	3.2	5
19-21/GPC-FL1M2B/3T	1.6x0.8x0.8	Green	562	11.5	28.5	1.75	2.35	20
19-21/R6C-AL2N1VY/3T	1.6x0.8x0.8	Brilliant Red	624	14.5	36	1.7	2.2	5
19-21/R6C-FP1Q2L/3T	1.6x0.8x0.8	Brilliant Red	624	45	112	1.7	2.3	20
19-21/R7C-AK1L2BY/3T	1.6x0.8x0.8	Deep Red	631	7.2	18	1.75	2.35	5
19-21/R7C-AN2Q1B/3T	1.6x0.8x0.8	Deep Red	631	36	90	1.75	2.35	20
19-21/R8C-FN2Q1L/3T	1.6x0.8x0.8	Deep Red	639	36	90	1.7	2.3	20
19-21/S2C-AL2M2VY/3T	1.6x0.8x0.8	Brilliant Orange	605	14.5	28.5	1.7	2.2	5
19-21/S2C-AQ1R2B/3T	1.6x0.8x0.8	Brilliant Orange	605	72	180	1.75	2.35	20
19-21/T1D-ANPHY/3T	1.6x0.8x0.8	Pure White	x=0.274, y=0.226	28.5	72	2.7	3.15	5
19-21/T1D-CPQTY/3T	1.6x0.8x0.8	Pure White	x=0.274, y=0.226	45	112	2.6	3	5
19-21/Y2C-AL1M2VY/3T	1.6x0.8x0.8	Brilliant Yellow	589	11.5	28.5	1.7	2.2	5
19-21/Y2C-CP1Q2B/3T	1.6x0.8x0.8	Brilliant Yellow	589	45	112	1.75	2.35	20

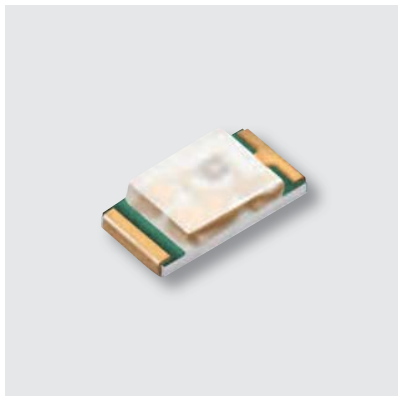
SMD LED | Surface Mount Chip LED (PCB) | Top View 0603 (0.2T~0.8T)



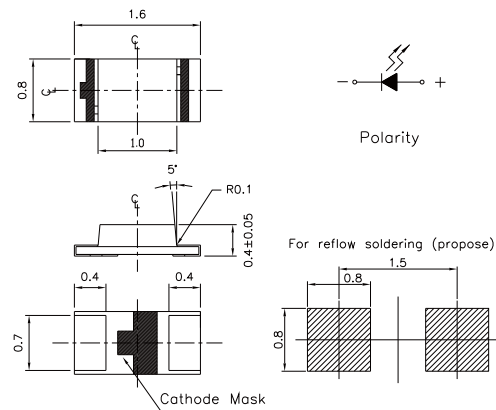
UNIT : mm



Product	Size (LxWxHmm)	Color	λ_d (nm)/CIE(x,y)	I_v Min./Typ. (mcd)	I_v Max. (mcd)	V_F Min./Typ. (V)	V_F Max. (V)	I_F (mA)
19-213AT1D-CP2Q2HY/3T	1.6x0.8x0.6	○ Pure White	x=0.274, y=0.226	57	112	2.7	3.15	5



UNIT : mm

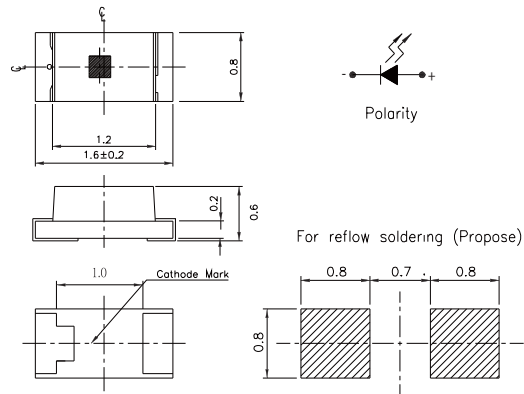


Product	Size (LxWxHmm)	Color	λ_d (nm)/CIE(x,y)	I_v Min./Typ. (mcd)	I_v Max. (mcd)	V_F Min./Typ. (V)	V_F Max. (V)	I_F (mA)
19-217/B9C-ANQE/3T	1.6x0.8x0.4	● Blue	470	28.5	112	2.75	3.65	20
19-217/BHC-AN1P2/3T	1.6x0.8x0.4	● Blue	470	28.5	72	2.7 / 3.3	3.7	20
19-217/BHC-XK1L2B11X/3T	1.6x0.8x0.4	● Blue	470	7.2	18	2.6	2.9	2
19-217/BHC-YL2M2TY/3T	1.6x0.8x0.4	● Blue	470	14.5	28.5	2.6	3	5
19-217/G7C-AL1M2B/3T	1.6x0.8x0.4	● Brilliant Yellow Green	573	11.5	28.5	1.75	2.35	20
19-217/GHC-YR1S2/3T	1.6x0.8x0.4	● Brilliant Green	525	112	285	2.7 / 3.3	3.7	20
19-217/R6C-P1Q2/3T	1.6x0.8x0.4	● Brilliant Red	624	45	112	1.7 / 2	2.4	20
19-217/S2C-AL1M2VY/3T	1.6x0.8x0.4	● Brilliant Orange	605	11.5	28.5	1.7	2.2	5
19-217/S3C-AL2N1VY/3T	1.6x0.8x0.4	● Reddish Orange	615	14.5	36	1.7	2.2	5
19-217/T1D-ANPHY/3T	1.6x0.8x0.4	○ Pure White	x=0.274, y=0.226	28.5	72	2.7	3.15	5
19-217/T1D-JP1Q2QY/3T	1.6x0.8x0.4	○ Pure White	x=0.274, y=0.226	45	112	2.7	3.2	5
19-217/Y5C-AM1N1VY/3T	1.6x0.8x0.4	● Brilliant Yellow	589	18	36	1.7	2.2	5
19-217/Y5C-APQB/3T	1.6x0.8x0.4	● Brilliant Yellow	589	45	112	1.75	2.35	20
19-217/Y5C-AQ2R2/3T	1.6x0.8x0.4	● Brilliant Yellow	589	90	180	1.7 / 2	2.4	20

SMD LED | Surface Mount Chip LED (PCB) | Top View 0603 (0.2T~0.8T)



UNIT : mm

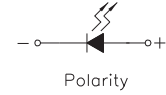
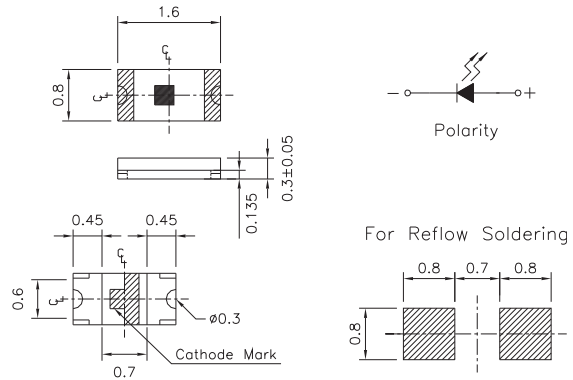


Product	Size (LxWxHmm)	Color	λ_d (nm)/CIE(x,y)	I_v Min./Typ. (mcd)	I_v Max. (mcd)	V_F Min./Typ. (V)	V_F Max. (V)	I_F (mA)
19-213 /Y2C-CQ1R2/3T	1.6x0.8x0.6	● Brilliant Yellow	589	72	180	1.7 / 2	2.4	20
19-213/B7C-AQ2S1B2/3T	1.6x0.8x0.6	● Blue	470	90	225	2.9	3.6	20
19-213/BHC-AN1P2/3T	1.6x0.8x0.6	● Blue	470	28.5	72	2.7 / 3.3	3.7	20
19-213/G6C-AP1Q2/3T	1.6x0.8x0.6	● Brilliant Yellow Green	573	45	112	2	2.4	20
19-213/G6C-BM1N2B/3T	1.6x0.8x0.6	● Brilliant Yellow Green	573	18	45	1.75	2.35	20
19-213/G6C-FN2Q1L/3T	1.6x0.8x0.6	● Brilliant Yellow Green	573	36	90	1.7	2.3	20
19-213/G6W-FN1P1B/3T	1.6x0.8x0.6	● Brilliant Yellow Green	573	28.5	57	1.75	2.35	20
19-213/GHC-XS1T1N/3T	1.6x0.8x0.6	● Brilliant Green	525	180	360	2.7	3.7	20
19-213/GHC-YP1Q2QY/3T	1.6x0.8x0.6	● Brilliant Green	525	45	112	2.7	3.2	5
19-213/GHC-YR1S2/3T	1.6x0.8x0.6	● Brilliant Green	525	112	285	3.5	4	20
19-213/R6C-AM2P1VY/3T	1.6x0.8x0.6	● Brilliant Red	624	22.5	57	1.7	2.2	5
19-213/R6C-AN1P2/3T	1.6x0.8x0.6	● Brilliant Red	624	28.5	72	1.7 / 2	2.4	20
19-213/R6C-AN2Q1B/3T	1.6x0.8x0.6	● Brilliant Red	624	36	90	1.75	2.35	20
19-213/R6C-AP1Q2B/3T	1.6x0.8x0.6	● Brilliant Red	624	45	112	1.75	2.35	20
19-213/R6C-AQ1R2B/3T	1.6x0.8x0.6	● Brilliant Red	624	72	180	1.75	2.35	20
19-213/R8C-FN1P2/3T	1.6x0.8x0.6	● Deep Red	639	28.5	72	1.7 / 2	2.4	20
19-213/S2C-AN1P2B/3T	1.6x0.8x0.6	● Brilliant Orange	605	28.5	72	1.75	2.35	20
19-213/S3C-AN2P2B/3T	1.6x0.8x0.6	● Reddish Orange	615	36	72	1.75	2.35	20
19-213/T1D-ANPHY/3T	1.6x0.8x0.6	○ Pure White	x=0.274, y=0.226	28.5	72	2.7	3.15	5
19-213/Y2C-AP1Q2B/3T	1.6x0.8x0.6	● Brilliant Yellow	589	45	112	1.75	2.35	20
19-213/Y2C-CN1P2/3T	1.6x0.8x0.6	● Brilliant Yellow	589	28.5	72	1.7 / 2	2.4	20
19-213/Y2C-CP1Q2L/3T	1.6x0.8x0.6	● Brilliant Yellow	589	45	112	1.7	2.3	20
19-213/Y2C-CQ2R2L/3T	1.6x0.8x0.6	● Brilliant Yellow	589	90	180	1.7	2.3	20

SMD LED | Surface Mount Chip LED (PCB) | Top View 0603 (0.2T~0.8T)



UNIT : mm

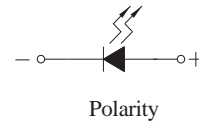
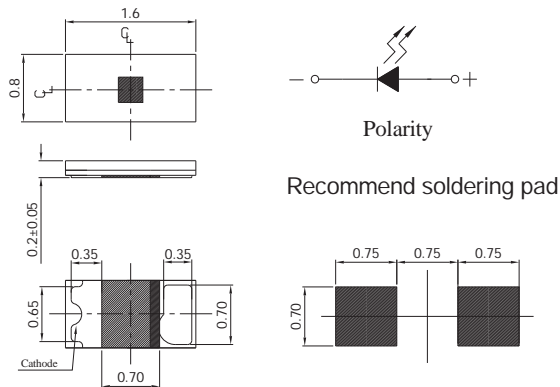


For Reflow Soldering

Product	Size (LxWxHmm)	Color	λ_d (nm)/CIE(x,y)	I_v Min./Typ. (mcd)	I_v Max. (mcd)	V_f Min./Typ. (V)	V_f Max. (V)	I_f (mA)
19-218/BHC-ZL1M2QY/3T	1.6x0.8x0.3	Blue	470	11.5	28.5	2.7	3.2	5
19-218/GHC-YR1S2M/3T	1.6x0.8x0.3	Brilliant Green	525	112	285	2.75	3.95	20
19-218/R6C-AL1M2VY/3T	1.6x0.8x0.3	Brilliant Red	624	11.5	28.5	1.7	2.2	5
19-218/R6C-FM2P1B7Y/3T	1.6x0.8x0.3	Brilliant Red	624	22.5	57	1.7	2	5
19-218/T1D-CQ2R2TY/3T	1.6x0.8x0.3	Pure White	x=0.274, y=0.226	90	180	2.6	3	5



UNIT : mm



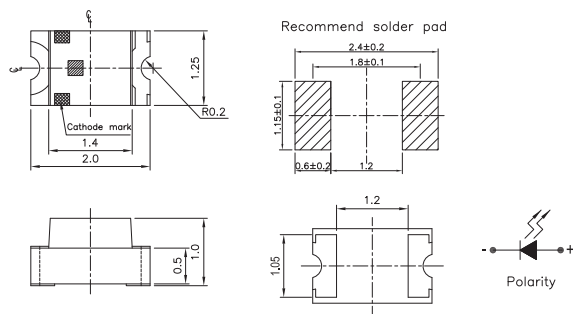
Recommend soldering pad

Product	Size (LxWxHmm)	Color	λ_d (nm)/CIE(x,y)	I_v Min./Typ. (mcd)	I_v Max. (mcd)	V_f Min./Typ. (V)	V_f Max. (V)	I_f (mA)
19-219/T3D-AQ2R2TY/3T	1.6x0.8x0.2	Pure White	x=0.274, y=0.226	90	180	2.6	3	5
19-219/T7D-AV1W1E/3T	1.6x0.8x0.2	Pure White	x=0.274, y=0.226	715	1420	2.75	3.65	20
19-219/Y5C-AM1N2VY/3T	1.6x0.8x0.2	Brilliant Yellow	589	18	45	1.7	2.2	5

SMD LED | Surface Mount Chip LED (PCB) | Top View 0805



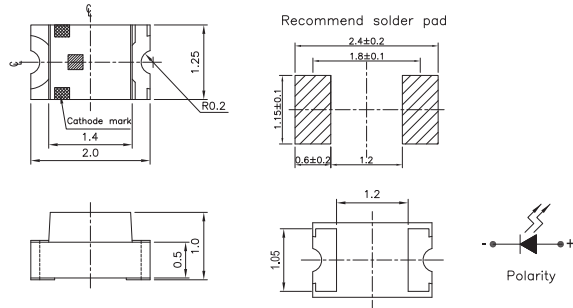
UNIT : mm



Product	Size (LxWxHmm)	Color	λ_d (nm)/CIE(x,y)	I_v Min./Typ. (mcd)	I_v Max. (mcd)	V_f Min./Typ. (V)	V_f Max. (V)	I_f (mA)
17-11/BHC-AN1P2/3T	2.0x1.25x1	● Blue	470	28.5	72	2.7 / 3.3	3.7	20



UNIT : mm

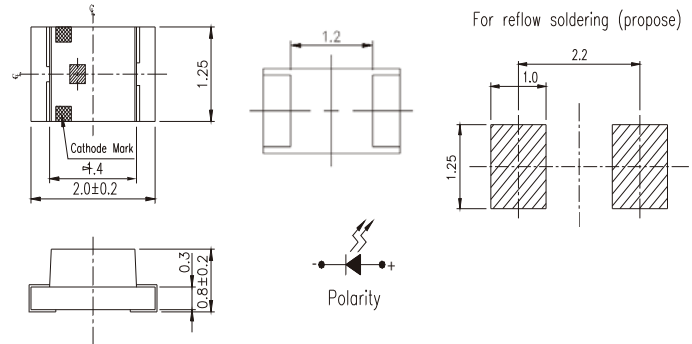


Product	Size (LxWxHmm)	Color	λ_d (nm)/CIE(x,y)	I_v Min./Typ. (mcd)	I_v Max. (mcd)	V_f Min./Typ. (V)	V_f Max. (V)	I_f (mA)
17-21/BHC-AN1P2/3T	2.0x1.25x1	● Blue	470	28.5	72	3.5	4	20
17-21/BHC-AP1Q2/3T	2.0x1.25x1	● Blue	470	45	112	2.7 / 3.3	3.7	20
17-21/BHC-XLMJY/3T	2.0x1.25x1	● Blue	470	11.5	28.5	2.7	3.1	5
17-21/G6C-AN1P1B/3T	2.0x1.25x1	● Brilliant Yellow Green	573	28.5	57	1.75	2.35	20
17-21/G6C-AP1Q1B/3T	2.0x1.25x1	● Brilliant Yellow Green	573	45	90	1.75	2.35	20
17-21/G6C-FM1N2B/3T	2.0x1.25x1	● Brilliant Yellow Green	573	18	45	1.75	2.35	20
17-21/G6C-FN1P2B/3T	2.0x1.25x1	● Brilliant Yellow Green	573	28.5	72	1.75	2.35	20
17-21/G6C-FP1Q1B/3T	2.0x1.25x1	● Brilliant Yellow Green	573	45	90	1.75	2.35	20
17-21/GHC-XS1T2M/3T	2.0x1.25x1	● Brilliant Green	525	180	450	2.75	3.95	20
17-21/GHC-YR1S2/3T	2.0x1.25x1	● Brilliant Green	525	112	285	3.5	4	20
17-21/GPC-AK0M1B/3T	2.0x1.25x1	● Green	562	7.2	22.5	1.75	2.35	20
17-21/GVC-AMPB/3T	2.0x1.25x1	● Green	565	18	72	1.75	2.35	20
17-21/R6C-AN2Q1B/3T	2.0x1.25x1	● Brilliant Red	624	36	90	1.75	2.35	20
17-21/R6C-AP1Q2L/3T	2.0x1.25x1	● Brilliant Red	624	45	112	1.7	2.3	20
17-21/R7C-AN2Q1B/3T	2.0x1.25x1	● Deep Red	631	36	90	1.75	2.35	20
17-21/S2C-AN1P2B/3T	2.0x1.25x1	● Brilliant Orange	605	28.5	72	1.75	2.35	20
17-21/S2C-AP1Q2B/3T	2.0x1.25x1	● Brilliant Orange	605	45	112	1.75	2.35	20
17-21/T1D-ANPHY/3T	2.0x1.25x1	○ Pure White	x=0.274, y=0.226	28.5	72	2.7	3.15	5
17-21/T1D-CP2R1TY/3T	2.0x1.25x1	○ Pure White	x=0.274, y=0.226	57	140	2.6	3	5
17-21/T1D-KN2P2HY/3T	2.0x1.25x1	○ Pure White	x=0.274, y=0.226	36	72	2.7	3.15	5
17-21/Y2C-AN1P2/3T	2.0x1.25x1	● Brilliant Yellow	589	28.5	72	1.7 / 2	2.4	20
17-21/Y2C-CN1P2B/3T	2.0x1.25x1	● Brilliant Yellow	589	28.5	72	1.75	2.35	20
17-21/Y2C-CP2Q2B/3T	2.0x1.25x1	● Brilliant Yellow	589	57	112	1.75	2.35	20

SMD LED | Surface Mount Chip LED (PCB) | Top View 0805



UNIT : mm



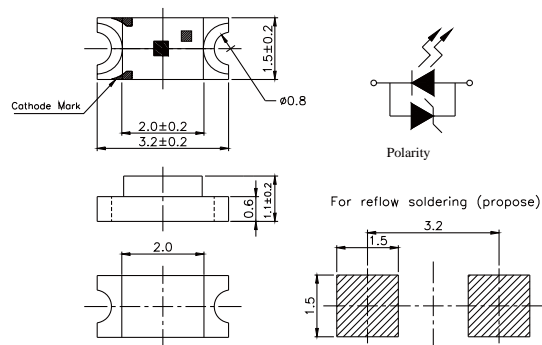
Product	Size (LxWxHmm)	Color	λ_d (nm)/CIE(x,y)	I_v Min./Typ. (mcd)	I_v Max. (mcd)	V_F Min./Typ. (V)	V_F Max. (V)	I_F (mA)
17-215/B6C-YP2R2/3T	2.0x1.25x0.8	Blue	470	57	180	2.7 / 3.0	3.7	20
17-215/BHC-AN1P2/3T	2.0x1.25x0.8	Blue	470	28.5	72	2.7 / 3.3	3.7	20
17-215/BHC-BP2Q2M/3T	2.0x1.25x0.8	Blue	470	57	112	2.75	3.95	20
17-215/G6C-BM1N2L/3T	2.0x1.25x0.8	Brilliant Yellow Green	573	18	45	1.7	2.3	20
17-215/G6C-FN2P2B/3T	2.0x1.25x0.8	Brilliant Yellow Green	573	36	72	1.75	2.35	20
17-215/R6C-AQ1R2B/3T	2.0x1.25x0.8	Brilliant Red	624	72	180	1.75	2.35	20
17-215/S2C-AQ1R2B/3T	2.0x1.25x0.8	Brilliant Orange	605	72	180	1.75	2.35	20
17-215/S2C-CP2R1B/3T	2.0x1.25x0.8	Brilliant Orange	605	57	140	1.75	2.35	20

SMD LED

SMD LED | Surface Mount Chip LED (PCB) | Top View 1206



UNIT : mm

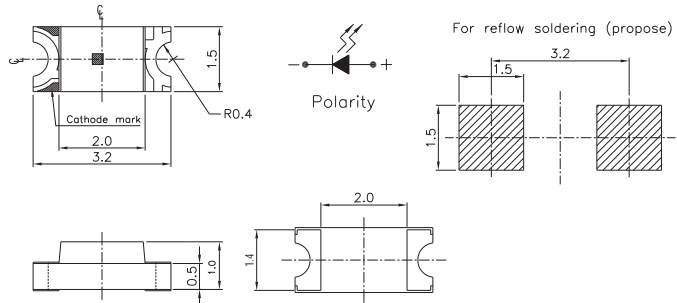


Product	Size (LxWxHmm)	Color	λ_d (nm)/CIE(x,y)	I_v Min./Typ. (mcd)	I_v Max. (mcd)	V_F Min./Typ. (V)	V_F Max. (V)	I_F (mA)
15-11/BHC-AN1P2/2T	3.2x1.5x1.0	Blue	470	28.5	72	2.7 / 3.3	3.7	20
15-11/BHC-ZL2N1QY/2T	3.2x1.5x1.0	Blue	470	14.5	36	2.7	3.2	5

SMD LED | Surface Mount Chip LED (PCB) | Top View 1206



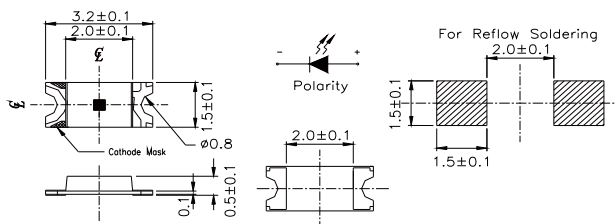
UNIT : mm



Product	Size (LxWxHmm)	Color	λ_d (nm)/CIE(x,y)	I_v Min./Typ. (mcd)	I_v Max. (mcd)	V_f Min./Typ. (V)	V_f Max. (V)	I_f (mA)
15-21/B6C-YR1S2B2/2T	3.2x1.5x1.0	Blue	470	112	285	2.9	3.6	20
15-21/B6C-ZQ1R1N/2T	3.2x1.5x1.0	Blue	470	72	140	2.7	3.7	20
15-21/BHC-AN1P2/2T	3.2x1.5x1.0	Blue	470	28.5	72	2.7 / 3.3	3.7	20
15-21/G6C-BK1L2VY/2T	3.2x1.5x1.0	Brilliant Yellow Green	573	7.2	18	1.7	2.2	5
15-21/G6C-FM1N2B/2T	3.2x1.5x1.0	Brilliant Yellow Green	573	18	45	1.75	2.35	20
15-21/G6C-FP1Q1L/2T	3.2x1.5x1.0	Brilliant Yellow Green	573	45	90	1.7	2.3	20
15-21/GHC-R2S2/2T	3.2x1.5x1.0	Brilliant Green	525	140	285	2.7 / 3.3	3.7	20
15-21/GHC-YR1S1/2T	3.2x1.5x1.0	Brilliant Green	525	112	225	3.5	3.7	20
15-21/R6C-AN1P2/2T	3.2x1.5x1.0	Brilliant Red	624	28.5	72	1.7 / 2	2.4	20
15-21/R6C-FQ1R1B/2T	3.2x1.5x1.0	Brilliant Red	624	72	140	1.75	2.35	20
15-21/S2C-AL2M2VY/2T	3.2x1.5x1.0	Brilliant Orange	605	14.5	28.5	1.7	2.2	5
15-21/S2C-AQ2R2B/2T	3.2x1.5x1.0	Brilliant Orange	605	90	180	1.75	2.35	20
15-21/S3C-AP1Q2/2T	3.2x1.5x1.0	Reddish Orange	615	45	112	1.7 / 2.0	2.4	20
15-21/T1D-CP1Q2TY/2T	3.2x1.5x1.0	Pure White	x=0.274, y=0.226	45	112	2.6	3	5
15-21/T7D-JQ2S1PY/2T	3.2x1.5x1.0	Pure White	x=0.274, y=0.226	90	225	2.7	3.3	5
15-21/Y2C-AN1P2/2T	3.2x1.5x1.0	Brilliant Yellow	589	28.5	72	1.7 / 2	2.4	20
15-21/Y2C-CP1Q2B/2T	3.2x1.5x1.0	Brilliant Yellow	589	45	112	1.75	2.35	20

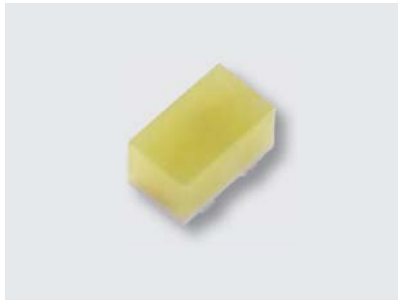


UNIT : mm

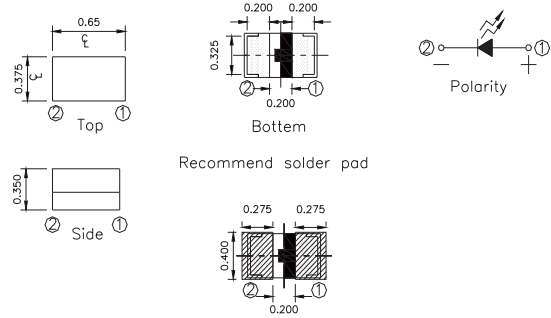


Product	Size (LxWxHmm)	Color	λ_d (nm)/CIE(x,y)	I_v Min./Typ. (mcd)	I_v Max. (mcd)	V_f Min./Typ. (V)	V_f Max. (V)	I_f (mA)
15-215/G7C-BN1P2B/2T	3.2x1.5x0.5	Brilliant Yellow Green	573	28.5	72	1.75	2.35	20
15-215/R6C-AM2P1VY/2T	3.2x1.5x0.5	Brilliant Red	624	22.5	57	1.7	2.2	5
15-215/R6C-AP1Q1L/2T	3.2x1.5x0.5	Brilliant Red	624	45	90	1.7	2.3	20

SMD LED | Surface Mount Chip LED (PCB) | Top View Mono Color



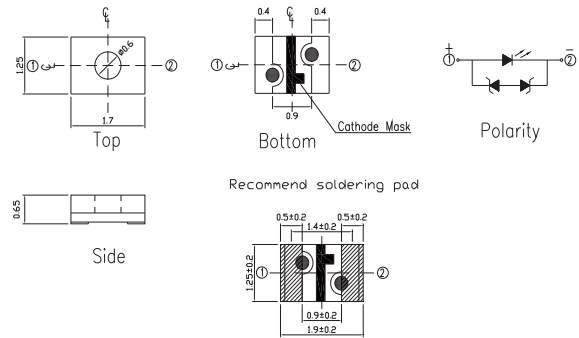
UNIT : mm



Product	Size (LxWxHmm)	Color	λ_d (nm)/CIE(x,y)	I_V Min./Typ. (mcd)	I_V Max. (mcd)	V_F Min./Typ. (V)	V_F Max. (V)	I_F (mA)
18-218/T1D-AN2Q1B3X/6T	0.65x0.375x0.35	○ White	0.274,0.226	36	90	2.5	2.9	2

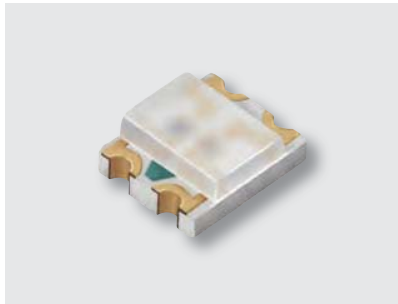


UNIT : mm

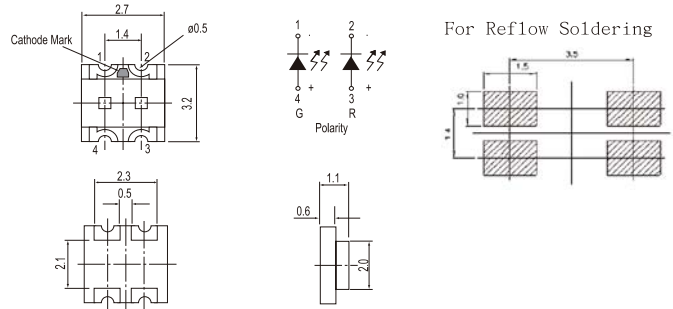


Product	Size (LxWxHmm)	Color	λ_d (nm)/CIE(x,y)	I_V Min./Typ. (mcd)	I_V Max. (mcd)	V_F Min./Typ. (V)	V_F Max. (V)	I_F (mA)
63-119-BHD-ZM1N2TY-3T	1.7x1.25x0.65	● Blue	470	18	45	2.6	3	5
63-119-T1D-AN2Q1TY-3T	1.7x1.25x0.65	○ White	0.274,0.226	36	90	2.6	3	5

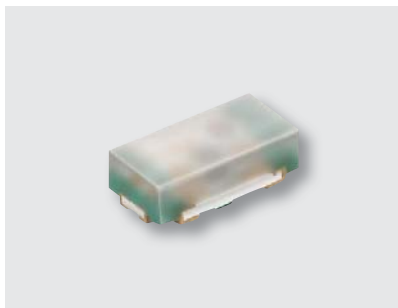
SMD LED | Surface Mount Chip LED (PCB) | Top View Bi-Color



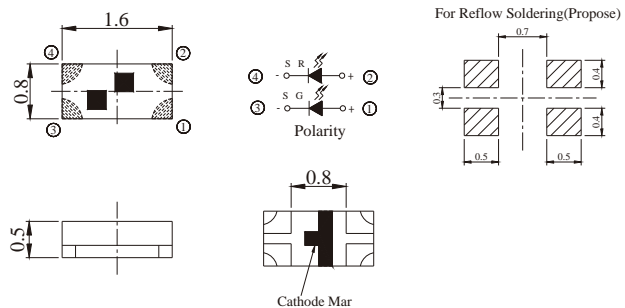
UNIT : mm



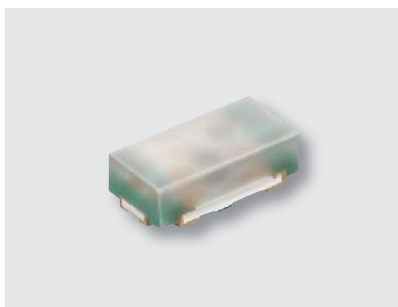
Product	Size (LxWxHmm)	Color	λ_d (nm)/ CIE(x,y)	I_v Min./Typ. (mcd)	I_v Max. (mcd)	V_F Min./Typ. (V)	V_F Max. (V)	I_F (mA)
15-22/R6G6C-A32/2T	3.2x2.7x1.1	<ul style="list-style-type: none"> Brilliant Red Brilliant Yellow Green 	R6 : 624 G6 : 573	R6 : 28.5 G6 : 28.5	R6 : 72 G6 : 72	R6 : 1.7 / 2 G6 : 1.7 / 2	R6 : 2.4 G6 : 2.4	20
15-22/R6GHC-A01/2T	3.2x2.7x1.1	<ul style="list-style-type: none"> Brilliant Red Brilliant Green 	R6 : 624 GH : 525	R6 : 90 / 130 GH : 112 / 165	--	R6 : 1.7 / 2 GH : 2.7 / 3.3	R6 : 2.4 GH : 3.7	20



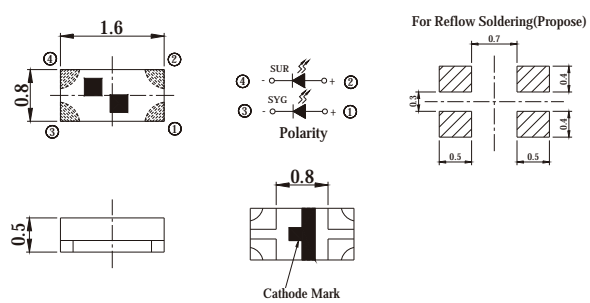
UNIT : mm



Product	Size (LxWxHmm)	Color	λ_d (nm)/ CIE(x,y)	I_v Min./Typ. (mcd)	I_v Max. (mcd)	V_F Min./Typ. (V)	V_F Max. (V)	I_F (mA)
18-225/B6R6C-C01/3T	1.6x0.8x0.5	<ul style="list-style-type: none"> Blue Brilliant Red 	B6 : 470 R6 : 624	B6 : 18 / 28.5 R6 : 18 / 28.5	-	B6 : 2.7 / 3.3 R6 : 1.7 / 2.0	B6 : 3.7 R6 : 2.4	5
18-225/R6G6C-A01/3T	1.6x0.8x0.5	<ul style="list-style-type: none"> Brilliant Red Brilliant Yellow Green 	R6 : 624 G6 : 573	R6 : 45 G6 : 28.5	R6 : 112 G6 : 72	R6 : 1.7 / 2 G6 : 1.7 / 2	R6 : 2.4 G6 : 2.4	20
18-225/S2G6C-A01/3T	1.6x0.8x0.5	<ul style="list-style-type: none"> Brilliant Orange Brilliant Yellow Green 	S2 : 605 G6 : 573	S2 : 32 / 48 G6 : 16 / 24	-	S2 : 1.7 / 2 G6 : 1.7 / 2	S2 : 2.4 G6 : 2.4	20



UNIT : mm

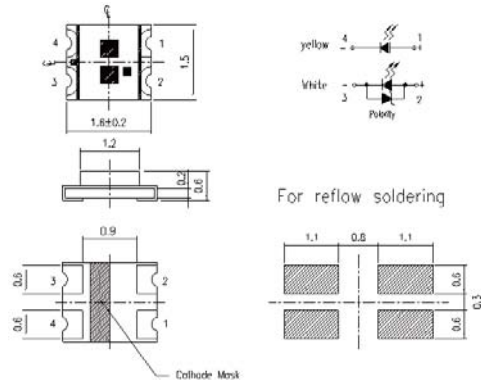


Product	Size (LxWxHmm)	Color	λ_d (nm)/ CIE(x,y)	I_v Min./Typ. (mcd)	I_v Max. (mcd)	V_F Min./Typ. (V)	V_F Max. (V)	I_F (mA)
18-225A/R6GHW-B01/3T	1.6x0.8x0.5	<ul style="list-style-type: none"> Brilliant Red Brilliant Green 	R6 : 624 GH : 525	R6 : 28.5 GH : 72	R6 : 72 GH : 180	R6 : 1.7 / 2 GH : 2.7 / 3.3	R6 : 2.4 GH : 3.7	10

SMD LED | Surface Mount Chip LED (PCB) | Top View Bi-Color



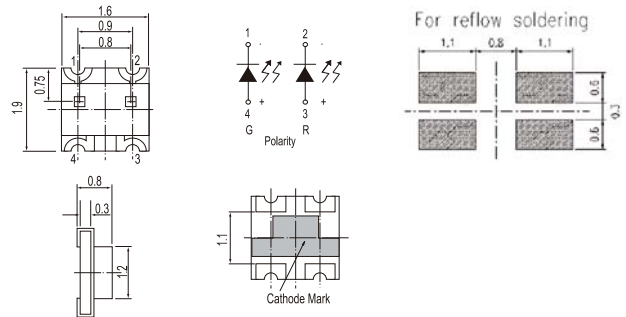
UNIT : mm



Product	Size (LxWxHmm)	Color	λ_d (nm)/CIE(x,y)	I_V Min./Typ. (mcd)	I_V Max. (mcd)	V_F Min./Typ. (V)	V_F Max. (V)	I_F (mA)
19-123/Y2ST1D-C30/2T	1.6x1.5x0.6	● Brilliant Yellow ○ Pure White	Y2S : 589 x=0.274, y=0.226	Y2S : 28.5 T1 : 45	Y2S : 72 T1 : 112	Y2S : 1.7 / 2 T1 : 2.7 / 3.3	Y2S : 2.4 T1 : 3.7	5



UNIT : mm

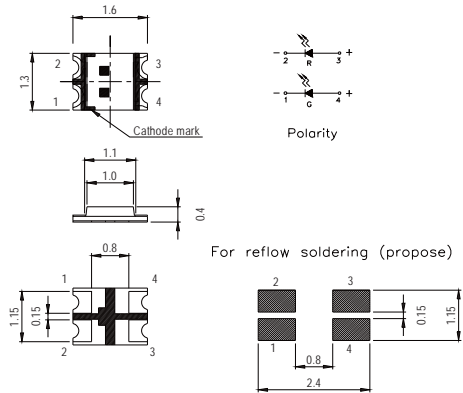


Product	Size (LxWxHmm)	Color	λ_d (nm)/CIE(x,y)	I_V Min./Typ. (mcd)	I_V Max. (mcd)	V_F Min./Typ. (V)	V_F Max. (V)	I_F (mA)
19-22/G6R6C-A31/2T	1.9x1.6x0.8	● Brilliant Yellow Green ● Brilliant Red	G6 : 573 R6 : 624	G6 : 22.5 R6 : 45	G6 : 57 R6 : 90	G6 : 1.7 / 2 R6 : 1.7 / 2	G6 : 2.4 R6 : 2.4	20
19-22/R6BHC-B01/2T	1.9x1.6x0.8	● Brilliant Red ● Blue	R6 : 624 BH : 470	R6 : 14.5 / 20 BH : 14.5 / 20	--	R6 : 1.9 BH : 2.9	R6 : 2.3 BH : 3.3	10
19-22/R6G6C-A01/2T	1.9x1.6x0.8	● Brilliant Red ● Brilliant Yellow Green	R6 : 624 G6 : 573	R6 : 45 G6 : 45	R6 : 72 G6 : 72	R6 : 1.7 / 2 G6 : 1.7 / 2	R6 : 2.4 G6 : 2.4	20
19-22/R6GHC-C02/2T	1.9x1.6x0.8	● Brilliant Red ● Brilliant Green	R6 : 624 GH : 525	R6 : 14.5 / 20 GH : 45 / 65	--	R6 : 1.9 GH : 2.9	R6 : 2.3 GH : 3.4	5
19-22/Y2G6C-A14/2T	1.9x1.6x0.8	● Brilliant Yellow ● Brilliant Yellow Green	Y2 : 589 G6 : 573	Y2 : 45 G6 : 28.5	Y2 : 112 G6 : 72	Y2 : 1.7 / 2 G6 : 1.7 / 2	Y2 : 2.4 G6 : 2.4	20

SMD LED | Surface Mount Chip LED (PCB) | Top View Bi-Color



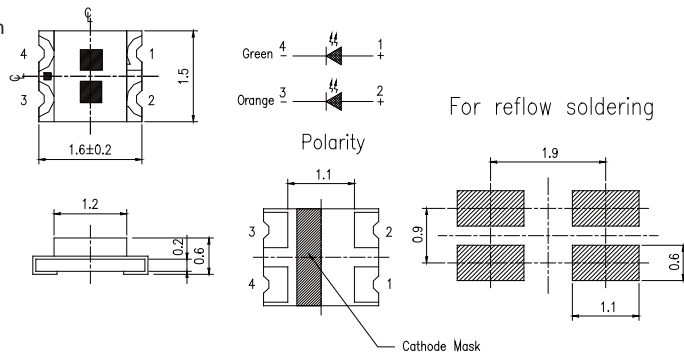
UNIT : mm



Product	Size (LxWxHmm)	Color	λ_d (nm)/CIE(x,y)	I_v Min./Typ. (mcd)	I_v Max./Typ. (mcd)	V_f Min./Typ. (V)	V_f Max. (V)	I_f (mA)
19-226/R6BHC-B01/2T	1.6x1.3x0.4	● Brilliant Red ● Blue	R6 : 624 BH : 470	R6 : 72 BH : 45	Tye. R6 : 100 BH : 80	R6 : 1.7 / 2 BH : 2.7 / 3.3	R6 : 2.4 BH : 3.7	10
19-226/R6G7C-B02/2T	1.6x1.3x0.4	● Brilliant Red ● Brilliant Yellow Green	R6 : 624 G7 : 573	R6 : 22.5 G7 : 7.2	Max. R6 : 57 G7 : 18	R6 : 1.7 / 2 G7 : 1.7 / 2	R6 : 2.4 G7 : 2.4	10
19-226/R6GHC-A03/2T	1.6x1.3x0.4	● Brilliant Red ● Brilliant Green	R6 : 624 GH : 525	R6 : 72 GH : 112	Max. R6 : 140 GH : 225	R6 : 1.7 / 2 GH : 2.7 / 3.3	R6 : 2.4 GH : 3.7	20

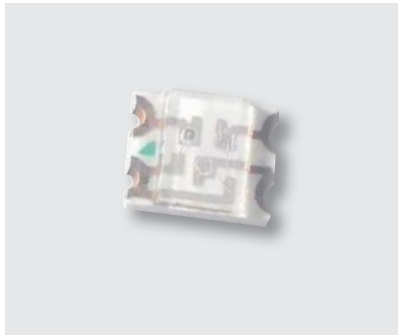


UNIT : mm

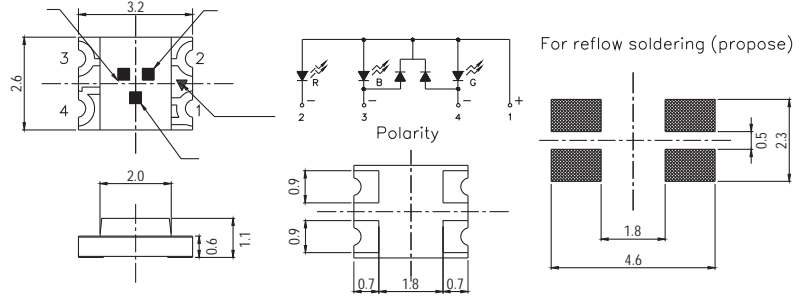


Product	Size (LxWxHmm)	Color	λ_d (nm)/CIE(x,y)	I_v Min./Typ. (mcd)	I_v Max. (mcd)	V_f Min./Typ. (V)	V_f Max. (V)	I_f (mA)
19-223/G6S2C-A01/2T	1.6x1.5x0.6	● Brilliant Yellow Green ● Brilliant Orange	G6 : 573 S2 : 605	G6 : 30 S2 : 90	G6 : 60 S2 : 180	G6 : 2 S2 : 2	G6 : 2.4 S2 : 2.4	20
19-223/R6BHC-A05/2T	1.6x1.5x0.6	● Brilliant Red ● Blue	R6 : 624 BH : 470	R6 : 72 BH : 36	R6 : 180 BH : 72	R6 : 1.7 / 2 BH : 2.7 / 3.3	R6 : 2.4 BH : 3.7	20
19-223/R6G6C-A01/2T	1.6x1.5x0.6	● Brilliant Red ● Brilliant Yellow Green	R6 : 624 G6 : 573	R6 : 72 G6 : 22.5	R6 : 180 G6 : 57	R6 : 1.7 / 2 G6 : 1.7 / 2	R6 : 2.4 G6 : 2.4	20
19-223/R7BHC-A30/2T	1.6x1.5x0.6	● Dark Red ● Blue	R7 : 631 BH : 470	R7 : 45 BH : 36	R7 : 112 BH : 90	R7 : 1.7 / 2 BH : 2.7 / 3.3	R7 : 2.4 BH : 2.7 / 3.7	20
19-223/R7G6C-A01/2T	1.6x1.5x0.6	● Dark Red ● Brilliant Yellow Green	R7 : 631 G6 : 573	R7 : 18 G6 : 18	R7 : 72 G6 : 72	R7 : 2 G6 : 2	R7 : 2.4 G6 : 2.4	20
19-223/S2BHC-A01/2T	1.6x1.5x0.6	● Brilliant Orange ● Blue	S2 : 605 BH : 470	S2 : 72 BH : 36	S2 : 140 BH : 72	S2 : 1.7 / 2 BH : 3	S2 : 2.4 BH : 3.5	20
19-223/S2T1D-C30/2T	1.6x1.5x0.6	● Brilliant Orange ○ Pure White	S2 : 605 x=0.274, y=0.226	S2 : 18 T1 : 45	S2 : 45 T1 : 112	S2 : 1.55 T1 : 2.7	S2 : 2.15 T1 : 3.3	5
19-223/Y2G6C-A01/2T	1.6x1.5x0.6	● Brilliant Yellow ● Brilliant Yellow Green	Y2 : 589 G6 : 573	Y2 : 36 G6 : 28.5	Y2 : 72 G6 : 57	Y2 : 1.7 / 2 G6 : 1.7 / 2	Y2 : 2.4 G6 : 2.4	20

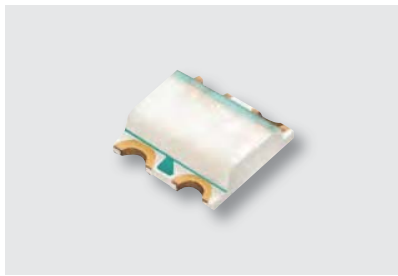
SMD LED | Surface Mount Chip LED (PCB) | Top View Full Color



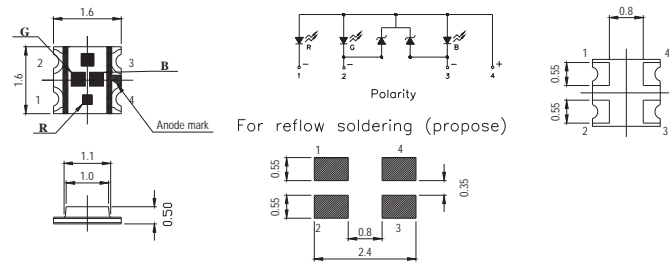
UNIT : mm



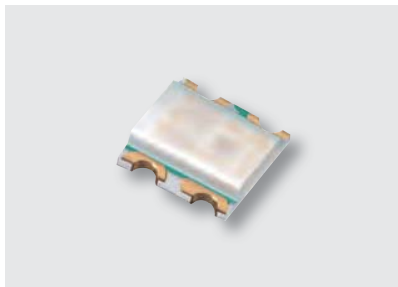
Product	Size (LxWxHmm)	Color	λ_d (nm)/CIE(x,y)	I_v Min./Typ. (mcd)	I_v Max. (mcd)	V_F Min./Typ. (V)	V_F Max. (V)	I_F (mA)
15-13D/R6GHBHC-A01/2T	3.2x2.6x1.1	<ul style="list-style-type: none"> ● Brilliant Red ● Brilliant Green ● Blue 	R6 : 624 GH : 525 BH : 470	R6 : 90 / 140 GH : 112 / 180 BH : 45 / 70	--	R6 : 1.7 / 2 GH : 2.7 / 3.3 BH : 2.7 / 3.3	R6 : 2.4 GH : 3.7 BH : 3.7	20



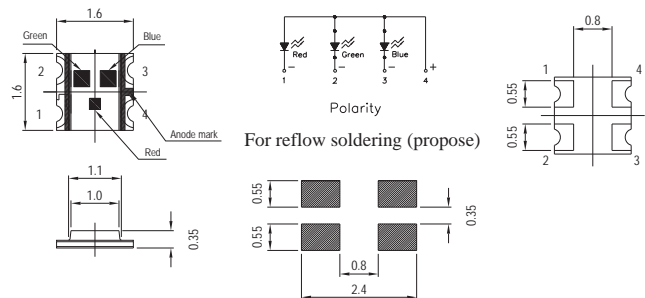
UNIT : mm



Product	Size (LxWxHmm)	Color	λ_d (nm)/CIE(x,y)	I_v Min./Typ. (mcd)	I_v Max. (mcd)	V_F Min./Typ. (V)	V_F Max. (V)	I_F (mA)
19-137/R6GHBHC-A01/2T	1.6x1.6x0.5	<ul style="list-style-type: none"> ● Brilliant Red ● Brilliant Green ● Blue 	R6 : 624 GH : 525 BH : 470	R6 : 72 / 100 GH : 112 / 180 BH : 28.5 / 50	--	R6 : 1.7 / 2 GH : 2.7 / 3.3 BH : 2.7 / 3.3	R6 : 2.4 GH : 3.7 BH : 3.7	20

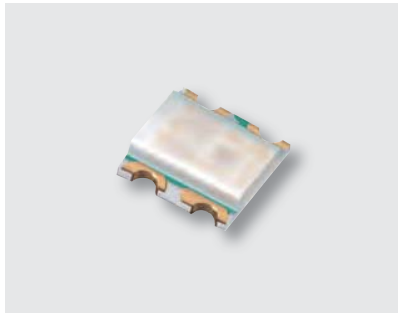


UNIT : mm

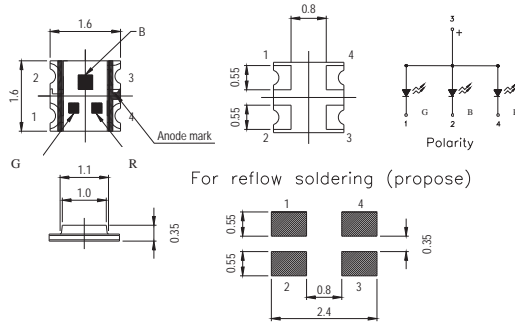


Product	Size (LxWxHmm)	Color	λ_d (nm)/CIE(x,y)	I_v Min./Typ. (mcd)	I_v Max. (mcd)	V_F Min./Typ. (V)	V_F Max. (V)	I_F (mA)
19-237/R6GHBHC-A04/2T	1.6x1.6x0.35	<ul style="list-style-type: none"> ● Brilliant Red ● Brilliant Green ● Blue 	R6 : 624 GH : 525 BH : 470	R6 : 18 / 30 GH : 28.5 / 60 BH : 11.5 / 18	--	R6 : 1.9 GH : 2.6 BH : 2.6	R6 : 2.2 GH : 3 BH : 3	20

SMD LED | Surface Mount Chip LED (PCB) | Top View Full Color



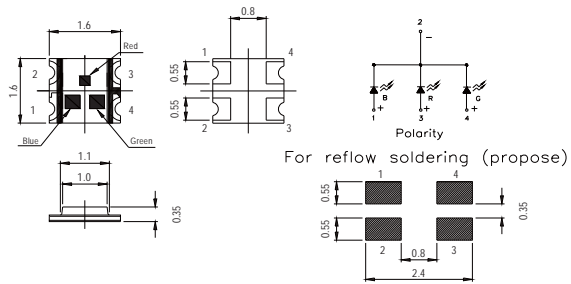
UNIT : mm



Product	Size (LxWxHmm)	Color	λ_d (nm)/ CIE(x,y)	I_v Min./Typ. (mcd)	I_v Max. (mcd)	V_F Min./Typ. (V)	V_F Max. (V)	I_F (mA)
19-237A/BHR6GHC-A01/2T	1.6x1.6x0.35	<ul style="list-style-type: none"> ● Blue ● Brilliant Red ● Brilliant Green 	BH : 470 R6 : 624 GH : 525	BH : 28.5 / 50 R6 : 72 / 100 GH : 112 / 180	-	BH : 3.3 R6 : 2 GH : 3.3	BH : 3.9 R6 : 2.4 GH : 3.9	20



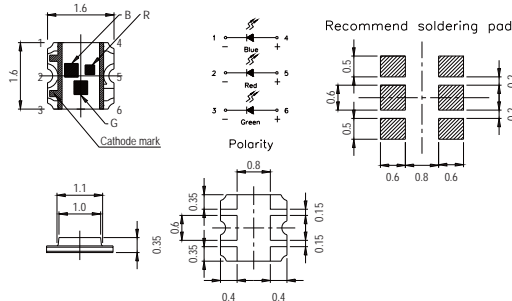
UNIT : mm



Product	Size (LxWxHmm)	Color	λ_d (nm)/ CIE(x,y)	I_v Min./Typ. (mcd)	I_v Max. (mcd)	V_F Min./Typ. (V)	V_F Max. (V)	I_F (mA)
19-237B/R6GHBHC-C01/2T	1.6x1.6x0.35	<ul style="list-style-type: none"> ● Brilliant Red ● Brilliant Green ● Blue 	R6 : 624 GH : 525 BH : 470	R6 : 18 / 30 GH : 28.5 / 60 BH : 11.5 / 18	R6 : 57 GH : 112 BH : 28.5	R6 : 1.7 / 2 GH : 2.6 / 3 BH : 2.6 / 3	R6 : 2.2 GH : 3.3 BH : 3.3	5



UNIT : mm

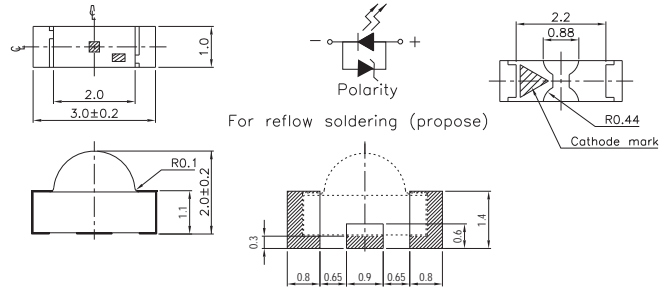


Product	Size (LxWxHmm)	Color	λ_d (nm)/ CIE(x,y)	I_v Min./Typ. (mcd)	I_v Max. (mcd)	V_F Min./Typ. (V)	V_F Max. (V)	I_F (mA)
19-337/R6GHBHC-A01/2T	1.6x1.6x0.35	<ul style="list-style-type: none"> ● Brilliant Red ● Brilliant Green ● Blue 	R6 : 624 GH : 525 BH : 470	R6 : 72 / 100 GH : 140 / 180 BH : 36 / 50	--	R6 : 2.0 GH : 3.3 BH : 3.3	R6 : 2.4 GH : 3.9 BH : 3.9	20

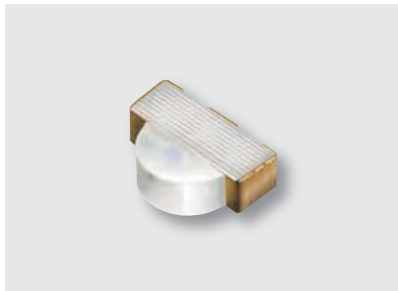
SMD LED | Surface Mount Chip LED (PCB) | Side View (0.2T~1.0T)



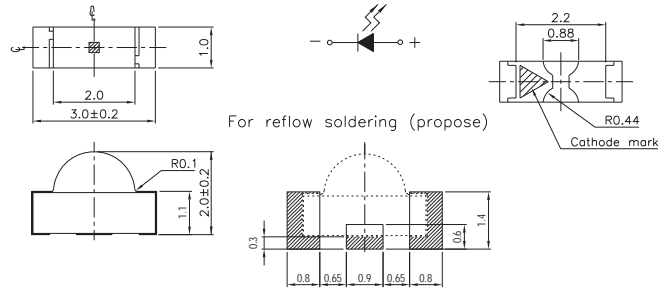
UNIT : mm



Product	Size (LxWxHmm)	Color	λ_d (nm)/CIE(x,y)	I_v Min./Typ. (mcd)	I_v Max. (mcd)	V_f Min./Typ. (V)	V_f Max. (V)	I_f (mA)
12-11/BHC-ZL1M2QY/2C	3x2x1	● Blue	470	11.5	28.5	2.7	3.2	5



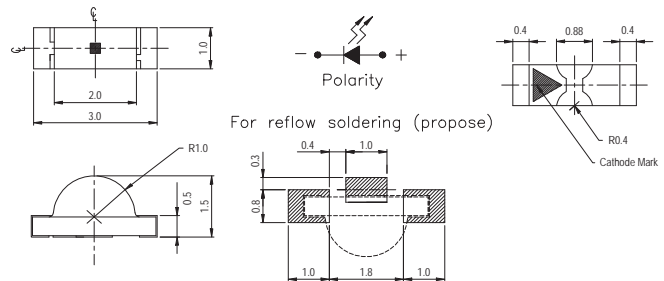
UNIT : mm



Product	Size (LxWxHmm)	Color	λ_d (nm)/CIE(x,y)	I_v Min./Typ. (mcd)	I_v Max. (mcd)	V_f Min./Typ. (V)	V_f Max. (V)	I_f (mA)
12-21/BHC-AN1P2/2C	3x2x1	● Blue	470	28.5	72	2.7 / 3.3	3.7	20
12-21/BHC-ZL1M2RY/2C	3x2x1	● Blue	470	11.5	28.5	2.5	3.1	5
12-21/GHC-YR2S2/2C	3x2x1	● Brilliant Green	525	140	285	3.5	4.3	20
12-21/R8C-AN1P2B/2D	3x2x1	● Deep Red	639	28.5	72	1.75	2.35	20
12-21/T3D-AQ2S2M/2C	3x2x1	○ Pure White	x=0.274, y=0.226	90	285	2.75	3.95	20



UNIT : mm

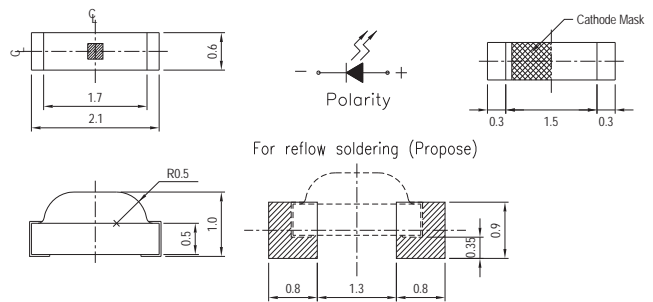


Product	Size (LxWxH mm)	Color	λ_d (nm)/CIE(x,y)	I_v Min./Typ. (mcd)	I_v Max. (mcd)	V_f Min./Typ. (V)	V_f Max. (V)	I_f (mA)
12-21C/BHC-AN1P2/2C	3x1.5x1	● Blue	470	28.5	72	2.7 / 3.3	3.7	20
12-21C/BHC-YL1M2HY/2C	3x1.5x1	● Blue	470	11.5	28.5	2.7	3.15	5
12-21C/T3D-CP1Q2B12Y/2C	3x1.5x1	○ Pure White	x=0.274, y=0.226	45	112	2.7	3.4	5

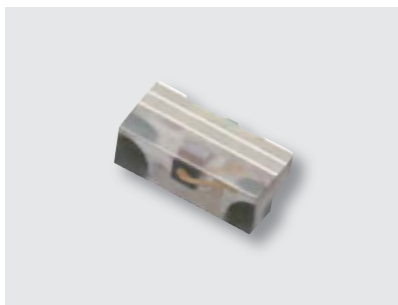
SMD LED | Surface Mount Chip LED (PCB) | Side View (0.2T~1.0T)



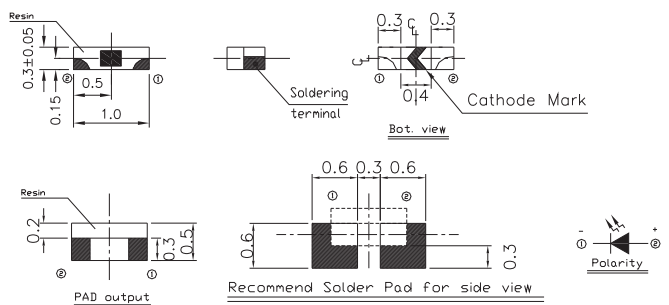
UNIT : mm



Product	Size (LxWxHmm)	Color	λ_d (nm)/CIE(x,y)	I_v Min./Typ. (mcd)	I_v Max. (mcd)	V_F Min./Typ. (V)	V_F Max. (V)	I_F (mA)
12-215/BHC-AN1P2/3C	2.1x1x0.6	● Blue	470	28.5	72	3.5	4	20
12-215/BHC-XL1M2HY/3C	2.1x1x0.6	● Blue	470	11.5	28.5	2.7	3.15	5
12-215/G6C-AL2M2B/3C	2.1x1x0.6	● Brilliant Yellow Green	573	14.5	28.5	1.75	2.35	20
12-215/G6C-BP1Q2L/3C	2.1x1x0.6	● Brilliant Yellow Green	573	45	112	1.7	2.3	20
12-215/R6C-AR1S1B/3C	2.1x1x0.6	● Brilliant Red	624	112	225	1.75	2.35	20
12-215/T1D-ANPHY/3C	2.1x1x0.6	○ Pure White	x=0.274, y=0.226	28.5	72	2.7	3.15	5
12-215/Y2C-BR1S1L/3C	2.1x1x0.6	● Brilliant Yellow	589	112	225	1.7	2.3	20
12-215/Y2C-CP1Q2B/3C	2.1x1x0.6	● Brilliant Yellow	589	45	112	1.75	2.35	20
12-215/Y2C-CQ1R1B/3C	2.1x1x0.6	● Brilliant Yellow	589	72	140	1.75	2.35	20



UNIT : mm

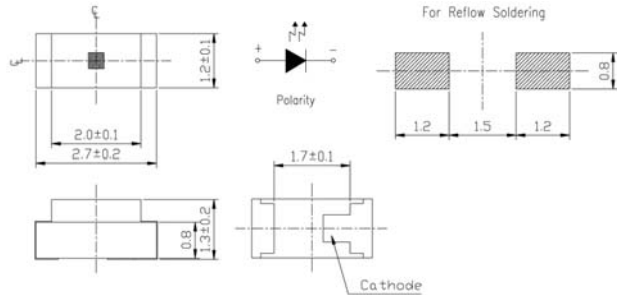


Product	Size (LxWxHmm)	Color	λ_d (nm)/CIE(x,y)	I_v Min./Typ. (mcd)	I_v Max. (mcd)	V_F Min./Typ. (V)	V_F Max. (V)	I_F (mA)
16-916/T1D-AP1Q2QY/3T	1x0.5x0.3	○ Pure White	x=0.274, y=0.226	45	112	2.7	3.2	5

SMD LED | Surface Mount Chip LED (PCB) | Side View (0.2T~1.0T)



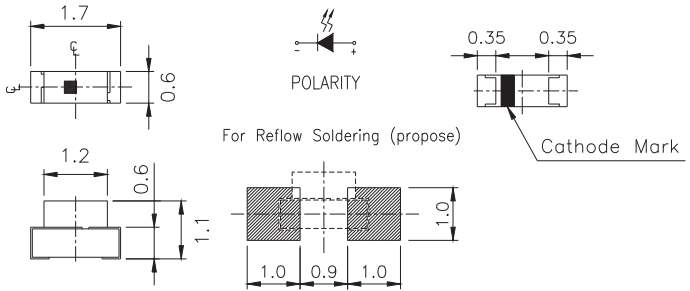
UNIT : mm



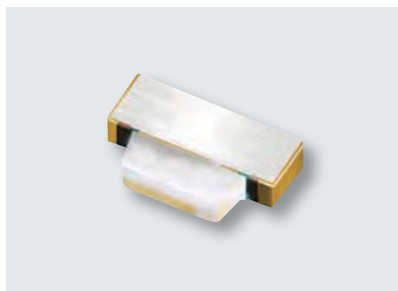
Product	Size (LxWxH mm)	Color	λ_d (nm)/CIE(x,y)	I_v Min./Typ. (mcd)	I_v Max. (mcd)	V_f Min./Typ. (V)	V_f Max. (V)	I_f (mA)
22-21/BHC-AN1P2/2C	2.7x1.3x1.2	Blue	470	28.5	72	3.8	4.5	20
22-21/GHC-YR1S2/2C	2.7x1.3x1.2	Brilliant Green	525	112	285	2.7 / 3.3	3.7	20



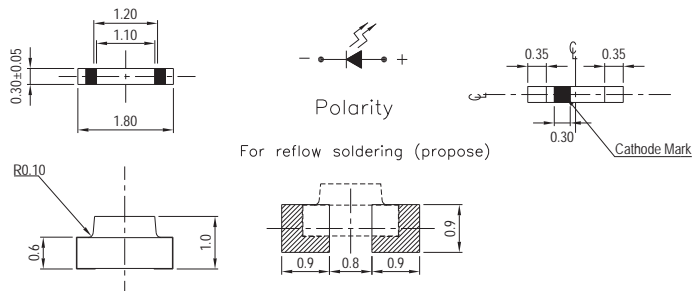
UNIT : mm



Product	Size (LxWxH mm)	Color	λ_d (nm)/CIE(x,y)	I_v Min./Typ. (mcd)	I_v Max. (mcd)	V_f Min./Typ. (V)	V_f Max. (V)	I_f (mA)
27-21/BHC-AN1P2/3C	1.7x1.1x0.6	Blue	470	28.5	72	2.7 / 3.3	3.7	20
27-21/BHC-AP1Q2/3C	1.7x1.1x0.6	Blue	470	45	112	2.7 / 3.3	3.7	20
27-21/GHC-YR1S2M/3C	1.7x1.1x0.6	Brilliant Green	525	112	285	2.75	3.95	20
27-21/R6C-AP1Q2B/3C	1.7x1.1x0.6	Brilliant Red	624	45	112	1.75	2.35	20
27-21/T1D-ANPHY/3C	1.7x1.1x0.6	Pure White	x=0.274, y=0.226	28.5	72	2.7	3.15	5
27-21/T1D-CQ1R2NW/3C	1.7x1.1x0.6	Pure White	x=0.274, y=0.226	72	180	2.7	3.7	15
27-21/T3D-AP2Q2HY/3C	1.7x1.1x0.6	Pure White	x=0.274, y=0.226	57	112	2.7	3.15	5
27-21/Y2C-CPQB/3D	1.7x1.1x0.6	Brilliant Yellow	589	45	112	1.75	2.35	20

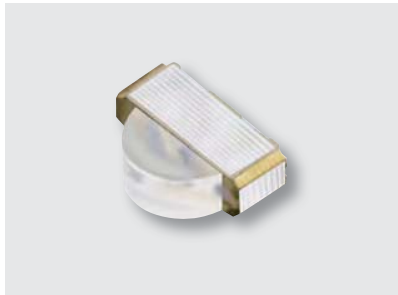


UNIT : mm

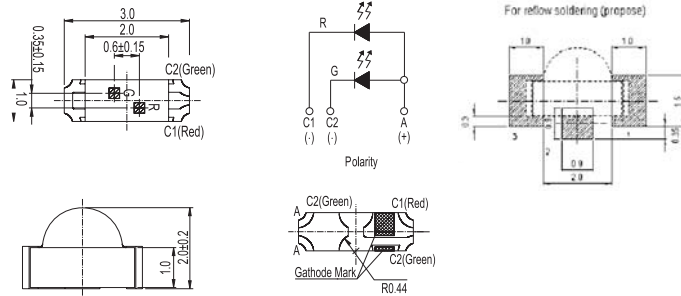


Product	Size (LxWxH mm)	Color	λ_d (nm)/CIE(x,y)	I_v Min./Typ. (mcd)	I_v Max. (mcd)	V_f Min./Typ. (V)	V_f Max. (V)	I_f (mA)
48-213/BHC-ZM2P1QY/3C	1.8x1.0x0.3	Blue	470	22.5	57	2.7	3.2	5
48-213/R6C-AM1N2VY/3C	1.8x1.0x0.3	Brilliant Red	624	18	45	1.7	2.2	5
48-213/T2D-AQ2R2QY/3C	1.8x1.0x0.3	Pure White	x=0.274, y=0.226	90	180	2.7	3.2	5
48-213/T3D-AP1Q2TY/3C	1.8x1.0x0.3	Pure White	x=0.274, y=0.226	45	112	2.6	3	5
48-213/T7D-AQ1R2QY/3C	1.8x1.0x0.3	Pure White	x=0.274, y=0.226	72	180	2.7	3.2	5

SMD LED | Surface Mount Chip LED (PCB) | Side View Bi-Color



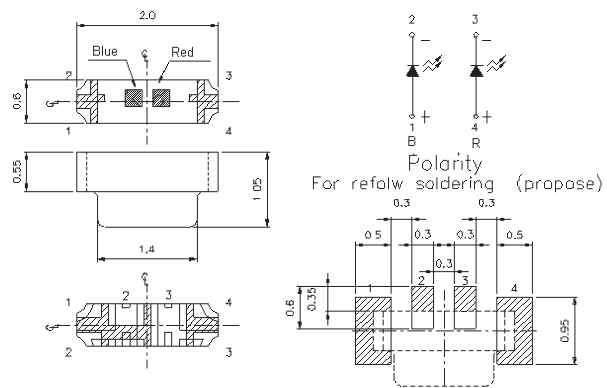
UNIT : mm



Product	Size (LxWxHmm)	Color	λ_d (nm)/ CIE(x,y)	I_V Min./Typ. (mcd)	I_V Max. (mcd)	V_F Min./Typ. (V)	V_F Max. (V)	I_F (mA)
12-22/BHR6C-A01/2C	3.0x2.0x1.0	<ul style="list-style-type: none"> ● Blue ● Brilliant Red 	BH : 470 R6 : 624	BH : 18 / 28 R6 : 22.5 / 30	--	BH : 2.7 R6 : 1.7	BH : 3.1 R6 : 2.2	20
12-22/G6R8C-A30/2C	3.0x2.0x1.0	<ul style="list-style-type: none"> ● Brilliant Yellow Green ● Deep Red 	G6 : 573 R8 : 639	G6 : 28.5 R8 : 28.5	G6 : 72 R8 : 72	G6 : 1.7 / 2 R8 : 1.7 / 2	G6 : 2.4 R8 : 2.4	20
12-22/R6GHC-A30/2C	3.0x2.0x1.0	<ul style="list-style-type: none"> ● Brilliant Red ● Brilliant Green 	R6 : 624 GH : 525	R6 : 72 GH : 112	R6 : 180 GH : 285	R6 : 1.7 / 2 GH : 2.7 / 3.3	R6 : 2.4 GH : 3.7	20
12-22/Y2G6C-A30/2C	3.0x2.0x1.0	<ul style="list-style-type: none"> ● Brilliant Yellow ● Brilliant Yellow Green 	Y2 : 589 G6 : 573	Y2 : 45 G6 : 28.5	Y2 : 112 G6 : 72	Y2 : 1.7 / 2 G6 : 1.7 / 2	Y2 : 2.4 G6 : 2.4	20



UNIT : mm

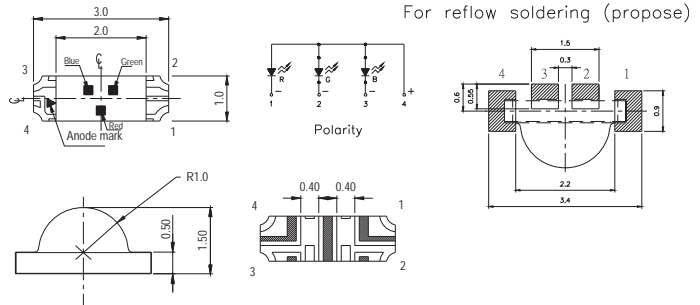


Product	Size (LxWxHmm)	Color	λ_d (nm)/ CIE(x,y)	I_V Min./Typ. (mcd)	I_V Max. (mcd)	V_F Min./Typ. (V)	V_F Max. (V)	I_F (mA)
17-223/BHR7C-C30/3C	2.0x1.05x0.6	<ul style="list-style-type: none"> ● Blue ● Dark Red 	BH : 470 R7 : 631	BH : 22.5 R7 : 14.5	BH : 57 R7 : 36	BH : 2.7 R7 : 1.55	BH : 3.2 R7 : 2.15	5

SMD LED | Surface Mount Chip LED (PCB) | Side View Full Color



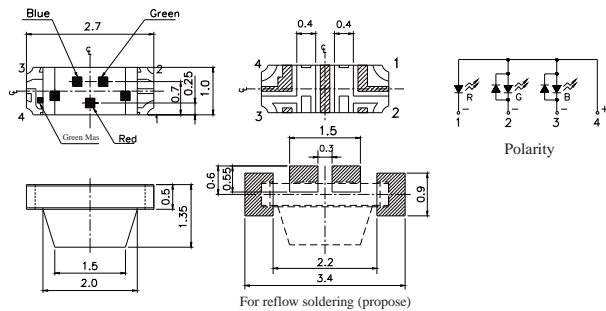
UNIT : mm



Product	Size (LxWxHmm)	Color	λ_d (nm)/ CIE(x,y)	I_V Min./Typ. (mcd)	I_V Max. (mcd)	V_F Min./Typ. (V)	V_F Max. (V)	I_F (mA)
12-23C/R6GHBHC-A01/2C	3.0x1.5x1.0	● Brilliant Red	R6 : 624	R6 : 63 / 90	--	R6 : 2	R6 : 2.4	20
		● Brilliant Green	GH : 525	GH : 125 / 180		GH : 3.3	GH : 3.9	
		● Blue	BH : 470	BH : 32 / 50		BH : 3.3	BH : 3.9	
12-23C/S2GHBHC-A01/2C	3.0x1.5x1.0	● Brilliant Orange	BH : 470	BH : 36 / 65	--	BH : 3.3	BH : 3.9	20
		● Brilliant Green	GH : 525	GH : 140 / 210		GH : 3.3	GH : 3.9	
		● Blue	S2 : 605	S2 : 72 / 140		S2 : 2	S2 : 2.4	



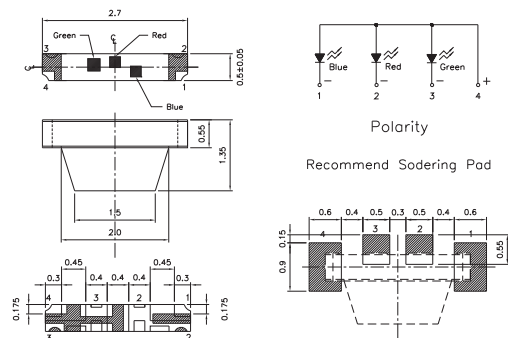
UNIT : mm



Product	Size (LxWxHmm)	Color	λ_d (nm)/ CIE(x,y)	I_V Min./Typ. (mcd)	I_V Max. (mcd)	V_F Min./Typ. (V)	V_F Max. (V)	I_F (mA)
22-23/R6GHBHC-A01/2C	2.7x1.35x1.0	● Brilliant Red ● Brilliant Green ● Blue	R6 : 624 GH : 525 BH : 470	R6 : 45 / 180 GH : 112 / 450 BH : 28.5 / 112	--	R6 : 1.7 / 2 GH : 2.7 / 3.3 BH : 2.7 / 3.3	R6 : 2.4 GH : 3.7 BH : 3.7	20



UNIT : mm

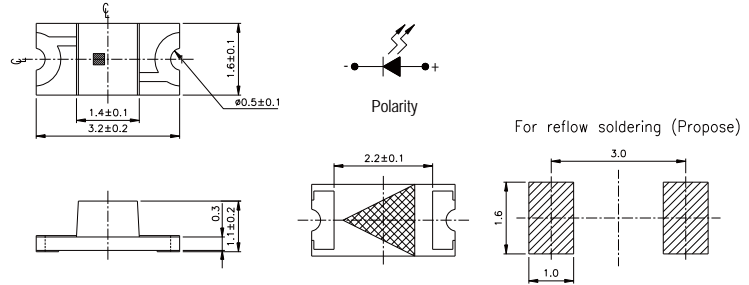


Product	Size (LxWxHmm)	Color	λ_d (nm)/ CIE(x,y)	I_V Min./Typ. (mcd)	I_V Max. (mcd)	V_F Min./Typ. (V)	V_F Max. (V)	I_F (mA)
22-23C/R6GHBHW-C01/2C	2.7x1.35x0.5	● Brilliant Red ● Brilliant Green ● Blue	R6 : 624 GH : 525 BH : 470	R6 : 14.5 GH : 35 BH : 10	R6 : 36 GH : 110 BH : 24.5	R6 : 1.7 / 1.85 GH : 2.7 / 2.9 BH : 2.7 / 2.9	R6 : 2 GH : 3.2 BH : 3.1	5

SMD LED | Surface Mount Chip LED (PCB) | Reverse Mount



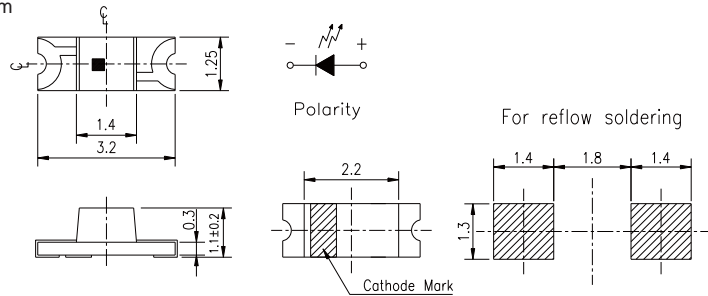
UNIT : mm



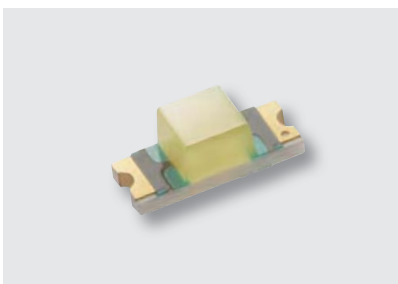
Product	Size (LxWxHmm)	Color	λ_d (nm)/CIE(x,y)	I_V Min./Typ. (mcd)	I_V Max. (mcd)	V_F Min./Typ. (V)	V_F Max. (V)	I_F (mA)
23-21/G6C-AL2N1/2T	3.2x1.6x1.1	● Brilliant Yellow Green	573	14.5	36	1.7 / 2	2.4	20
23-21/GHC-YR2T1/2A	3.2x1.6x1.1	● Brilliant Green	525	140	360	3.5	3.9	20
23-21/R6C-AM1N2AY/2A	3.2x1.6x1.1	● Brilliant Red	624	18	45	1.55	2.15	5
23-21/R8C-AN2Q1B/2T	3.2x1.6x1.1	● Deep Red	639	36	90	1.75	2.35	20



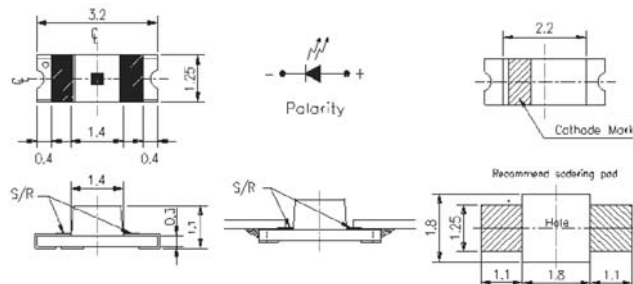
UNIT : mm



Product	Size (LxWxHmm)	Color	λ_d (nm)/CIE(x,y)	I_V Min./Typ. (mcd)	I_V Max. (mcd)	V_F Min./Typ. (V)	V_F Max. (V)	I_F (mA)
23-21B/BHC-AN1P2/2A	3.2x1.25x1.1	● Blue	470	28.5	72	3.5	4	20
23-21B/BHC-ZM1N2TY/2A	3.2x1.25x1.1	● Blue	470	18	45	2.6	3	5
23-21B/G6C-AM2P1/2A	3.2x1.25x1.1	● Brilliant Yellow Green	573	22.5	57	1.7 / 2	2.4	20
23-21B/S2C-AP1Q2B/2A	3.2x1.25x1.1	● Brilliant Orange	605	45	112	1.75	2.35	20
23-21B/T1D-ANQHY/2A	3.2x1.25x1.1	○ Pure White	x=0.274, y=0.226	28.5	112	2.7	3.15	5
23-21B/T1D-CP2Q2TY/2A	3.2x1.25x1.1	○ Pure White	x=0.274, y=0.226	57	112	2.6	3	5
23-21B/W1D-ANQHY/2A	3.2x1.25x1.1	○ Pure White	x=0.274, y=0.226	28.5	112	2.7	3.15	5



UNIT : mm

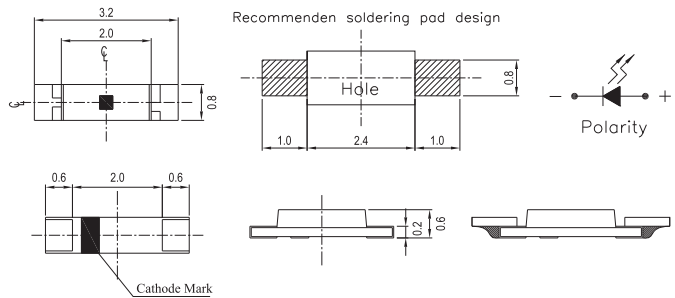


Product	Size (LxWxHmm)	Color	λ_d (nm)/CIE(x,y)	I_V Min./Typ. (mcd)	I_V Max. (mcd)	V_F Min./Typ. (V)	V_F Max. (V)	I_F (mA)
23-21C/T1D-CP2Q2TY/2A	3.2x1.25x1.1	○ White	x=0.274, y=0.226	57	112	Min. 2.6	3	5

SMD LED | Surface Mount Chip LED (PCB) | Reverse Mount



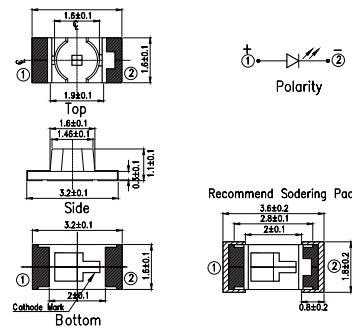
UNIT : mm



Product	Size (LxWxHmm)	Color	λ_d (nm)/CIE(x,y)	I_V Min./Typ. (mcd)	I_V Max. (mcd)	V_F Min./Typ. (V)	V_F Max. (V)	I_F (mA)
23-215A/BHC-DN2P2E/5A	3.2x0.8x0.6	● Blue	470	36	72	2.75	3.65	20

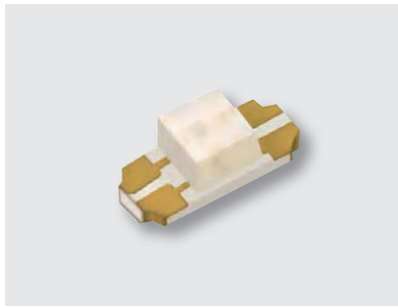


UNIT : mm

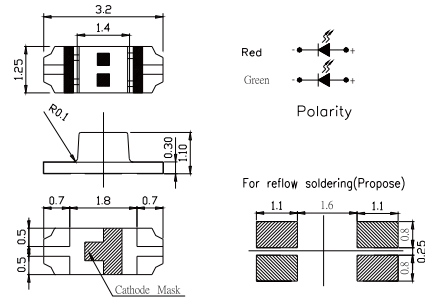


Product	Size (LxWxHmm)	Color	λ_d (nm)/CIE(x,y)	I_V Min./Typ. (mcd)	I_V Max. (mcd)	V_F Min./Typ. (V)	V_F Max. (V)	I_F (mA)
24-21/BHC-AN1P2/2A	3.2x1.6x1.1	● Blue	470	28.5	72	2.7/3.3	3.7	20
24-21/GHC-YR2T1/2A	3.2x1.6x1.1	● Brilliant Green	525	140	360	3.5	4	20

SMD LED | Surface Mount Chip LED (PCB) | Reverse Mount Bi-color



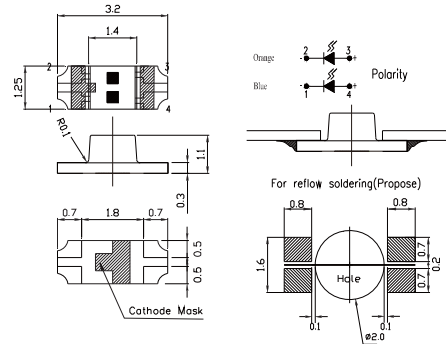
UNIT : mm



Product	Size (LxWxHmm)	Color	λ_d (nm)/ CIE(x,y)	I_V Min./Typ. (mcd)	I_V Max. (mcd)	V_F Min./Typ. (V)	V_F Max. (V)	I_F (mA)
23-22B/R7G6C-A30/2T	3.2x1.25x1.1	<ul style="list-style-type: none"> ● Dark Red ● Brilliant Yellow Green 	R7 : 631 G6 : 573	R7 : 18 G6 : 14.5	R7 : 72 G6 : 45	R7 : 1.7 / 2 G6 : 1.7 / 2	R7 : 2.4 G6 : 2.4	20
23-22B/S2BHC-C30/2A	3.2x1.25x1.1	<ul style="list-style-type: none"> ● Brilliant Orange ● Blue 	S2 : 605 BH : 470	S2 : 11.5 BH : 11.5	S2 : 28.5 BH : 28.5	S2 : 1.55 / 1.85 BH : 2.5 / 3.1	S2 : 2.25 BH : 3.5	5

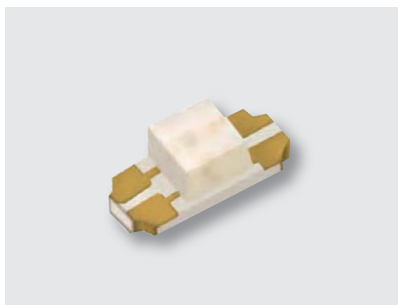


UNIT : mm

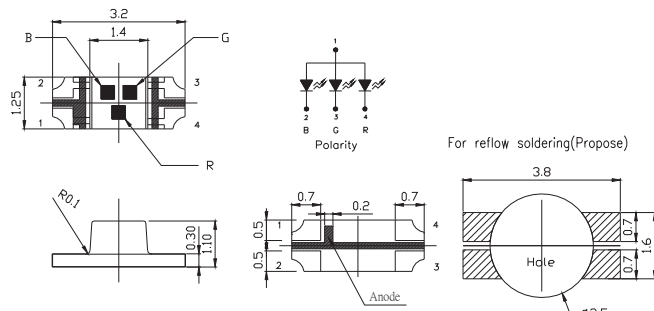


Product	Size (LxWxHmm)	Color	λ_d (nm)/ CIE(x,y)	I_V Min./Typ. (mcd)	I_V Max. (mcd)	V_F Min./Typ. (V)	V_F Max. (V)	I_F (mA)
23-22C/S2BHC-B30/2A	3.2x1.25x1.1	<ul style="list-style-type: none"> ● Brilliant Orange ● Blue 	S2 : 605 BH : 470	S2 : 22.5 BH : 22.5	S2 : 57 BH : 57	S2 : 1.7 / 2 BH : 2.7 / 3.3	S2 : 2.4 BH : 3.7	10

SMD LED | Surface Mount Chip LED (PCB) | Reverse Mount Full color



UNIT : mm

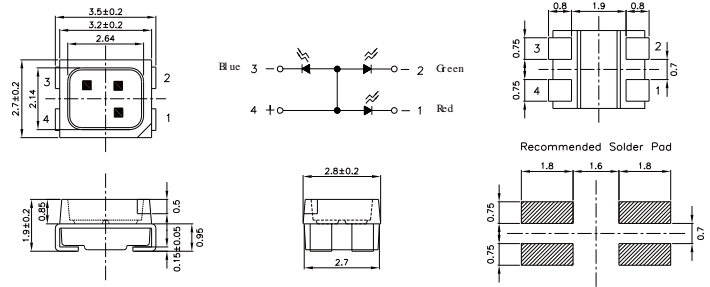


Product	Size (LxWxHmm)	Color	λ_d (nm)/ CIE(x,y)	I_V Min./Typ. (mcd)	I_V Max. (mcd)	V_F Min./Typ. (V)	V_F Max. (V)	I_F (mA)
23-23B/R6GHBHC-A01/2A	3.2x1.25x1.1	<ul style="list-style-type: none"> ● Brilliant Red ● Brilliant Green ● Blue 	R6 : 624 GH : 525 BH : 470	R6 : 72 / 100 GH : 140 / 200 BH : 45 / 65	--	R6 : 1.7 / 2 GH : 2.7 / 3.3 BH : 2.7 / 3.3	R6 : 2.4 GH : 3.7 BH : 3.7	20

SMD LED | Surface Mount PLCC LEDs (Reflector) | Top View LED



UNIT : mm

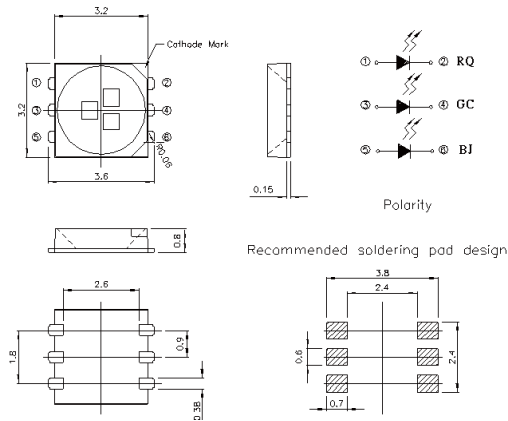


Product	Size (LxWxHmm)	Color	λ_d (nm)/CIE(x,y)	I_V Min./Typ. (mcd)	I_V Max. (mcd)	V_F Min./Typ. (V)	V_F Max. (V)	I_F (mA)
67-23/R6GHBHC-B05/2T	3.5x2.8x1.9	R6: ● Brilliant Red GH: ● Brilliant Green BH: ● Blue	R6: 621~631 GH: 520~530 BH: 465~475	R6: 112 GH: 180 BH: 72	R6: 285 GH: 715 BH: 285	R6: 2.0 GH: 3.4 BH: 3.4	R6: 2.4 GH: 3.95 BH: 3.95	20
67-23SDRSYGUBC/TR8	3.5x2.8x1.9	SDR: ● Deep Red SYG: ● Brilliant Yellow Green UB: ● Blue	SDR: 639 SYG: 573 UB: 470	SDR: 63 / 112 SYG: 13 / 20 UB: 11 / 18	--	SDR: 2.0 SYG: 2.0 UB: 3.5	SDR: 2.4 SYG: 2.4 UB: 4.0	20

SMD LED



UNIT : mm

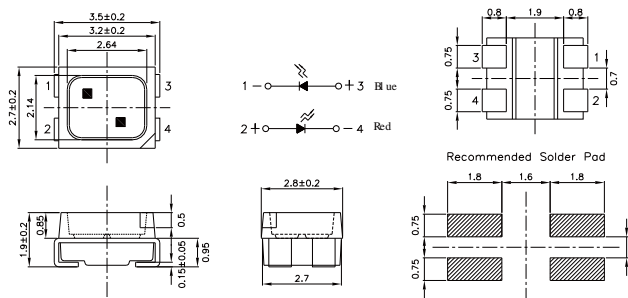


Product	Size (LxWxHmm)	Color	λ_d (nm)/CIE(x,y)	I_V Min./Typ. (mcd)	I_V Max. (mcd)	V_F Min./Typ. (V)	V_F Max. (V)	I_F (mA)
67-235-BJRQGCC-A01E-2T8-CS	3.2x3.2x0.8	● BQ: Super-Red ● GC: Brilliant Green ● BJ: Blue	BQ: 617.5-629.5 GC: 525-535 BJ: 465-475	BQ: 450 GC: 1120 BJ: 225	BQ: 900 GC: 1800 BJ: 450	BQ: 1.75 GC: 2.75 BJ: 2.75	BQ: 2.75 GC: 3.65 BJ: 3.65	20

SMD LED | Surface Mount PLCC LEDs (Reflector) | Top View Bi-Color



UNIT : mm

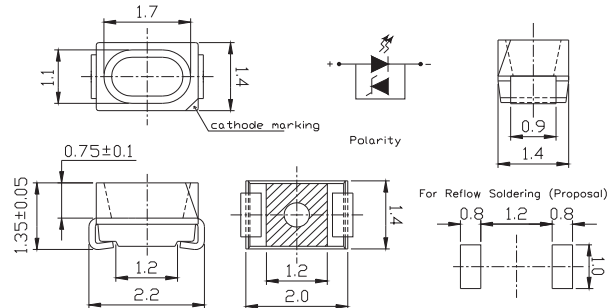


Product	Size (LxWxHmm)	Color	λ_d (nm)	I_v Min./Typ. (mcd)	I_v Max. (mcd)	V_f Min./Typ. (V)	V_f Max. (V)	I_f (mA)
67-22/G3G3C-B45/2T	3.5x2.8x1.9	G3: ● Pale Green G3: ● Pale Green	563.5~571.5	4.5 / 10	36	1.7 / 2.0	2.4	10
67-22/R6BHC-B07/2T	3.5x2.8x1.9	R6: ● Brilliant Red BH: ● Blue	R6 : 621~631 BH : 466.5~471.5	R6 : 90 BH : 90	R6 : 225 BH : 225	R6 : 1.75 BH : 2.9	R6 : 2.35 BH : 3.7	20
67-22/R6G6C-B09/2T	3.5x2.8x1.9	R6: ● Brilliant Red G6: ● Brilliant Yellow Green	R6 : 621~627 G6 : 570~574	R6 : 57 G6 : 36	R6 : 140 G6 : 90	R6 : 1.75 G6 : 1.75	R6 : 2.35 G6 : 2.35	20
67-22/R6Y2C-B31/2T	3.5x2.8x1.9	R6: ● Brilliant Red Y2: ● Brilliant Yellow	R6 : 621~631 Y2 : 586~594	R6 : 72 Y2 : 72	R6 : 285 Y2 : 285	1.75	2.35	20
67-22SURSYGC/S530-A2/TR8	3.5x2.8x1.9	SUR: ● Brilliant Red SYG: ● Brilliant Yellow Green	SUR : 624 SYG : 573	SUR : 24 / 59 SYG : 16 / 24	--	SUR : 1.7 / 2.0 SYG : 1.7 / 2.0	SUR : 2.4 SYG : 2.4	20
67-22UYSYGC/S530-A5/TR8	3.5x2.8x1.9	UY: ● Brilliant Yellow SYG: ● Brilliant Yellow Green	UY : 589 SYG : 573	UY : 80 / 120 SYG : 50 / 80	--	UY : 1.7/2.0 SYG : 1.7/2.0	UY : 2.4 SYG : 2.4	20

SMD LED | Surface Mount PLCC LEDs (Reflector) | Top View PLCC2



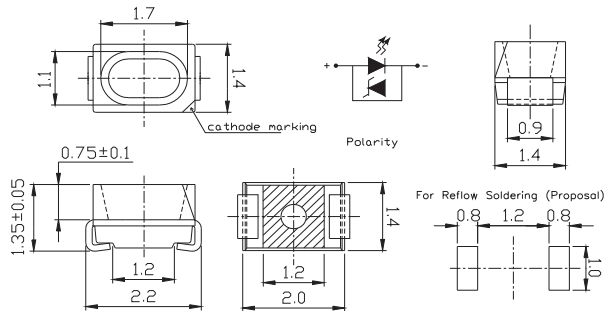
UNIT : mm



Product	Size (LxWxHmm)	Color	λ_d (nm)/CIE(x,y)	I_v Min./Typ. (mcd)	I_v Max. (mcd)	V_f Min./Typ. (V)	V_f Max. (V)	I_f (mA)
65-11/BHC-AR1S2B2/2T	2.2x1.4x1.35	● Blue	464.5~476.5	112	285	2.9	3.6	20
65-11/T2C-FV1W2E/2T	2.2x1.4x1.35	○ Pure White	x=0.283~0.33 y=0.276~0.36	715	1800	2.75	3.65	20



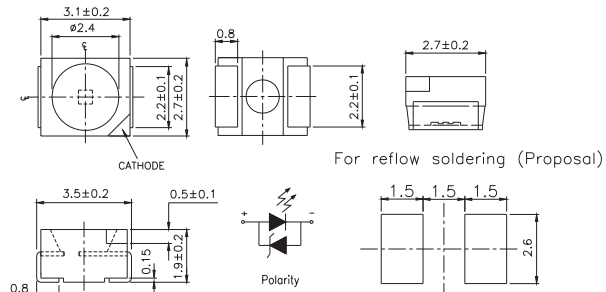
UNIT : mm



Product	Size (LxWxHmm)	Color	λ_d (nm)/CIE(x,y)	I_v Min./Typ. (mcd)	I_v Max. (mcd)	V_f Min./Typ. (V)	V_f Max. (V)	I_f (mA)
65-21/G6C-AN2Q1/3T	2.2x1.4x1.35	● Brilliant Yellow Green	569.5~577.5	36	90	1.75	2.35	20
65-21/Y2C-CJ2L2X/3T	2.2x1.4x1.35	● Brilliant Yellow	586~592	5.8	18	2	2.4	2
65-21/Y2SC-AR1S2B/2T	2.2x1.4x1.35	● Brilliant Yellow	585.5~594.5	112	285	1.75	2.35	20
65-21/Y2SC-FR2S1B/2T	2.2x1.4x1.35	● Brilliant Yellow	586~594	140	225	1.75	2.35	20



UNIT : mm

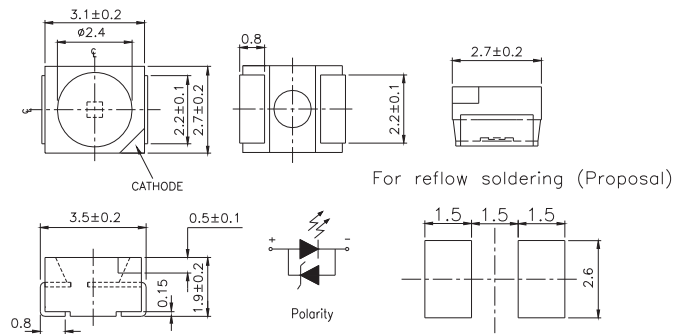


Product	Size (LxWxHmm)	Color	λ_d (nm)/CIE(x,y)	I_v Min./Typ. (mcd)	I_v Max. (mcd)	V_f Min./Typ. (V)	V_f Max. (V)	I_f (mA)
67-11/BHC-FQ2S1F/2T	3.5x2.7x1.9	● Blue	464~472	90	285	2.7	3.5	20
67-11/W1C-ES1T2N/2T	3.5x2.7x1.9	● Warm White	x=0.264~0.330 y=0.248~0.360	180	450	2.7	3.7	20
67-11/W1C-FV1W2F/2T	3.5x2.7x1.9	○ White	x=0.283~0.330 y=0.276~0.360	715	1800	2.7	3.5	20

SMD LED | Surface Mount PLCC LEDs (Reflector) | Top View PLCC2



UNIT : mm



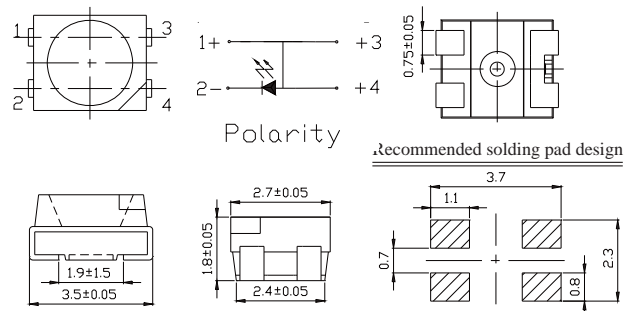
Product	Size (LxWxHmm)	Color	λ_d (nm)/CIE(x,y)	I_v Min./Typ. (mcd)	I_v Max. (mcd)	V_f Min./Typ. (V)	V_f Max. (V)	I_f (mA)
67-21/B3C-BN1Q2N/2T	3.5x2.7x1.9	Blue	464.5~473.5	28.5	112	2.7	3.7	20
67-21/B7C-AS2U1N/2T	3.5x2.7x1.9	Blue	464.5~476.5	225	565	2.7	3.7	20
67-21/GBC-YV2W2N/2T	3.5x2.7x1.9	Brilliant Green	520~535	900	1800	2.7	3.7	20
67-21/GHC-AS2U1B17Z/2T	3.5x2.7x1.9	Brilliant Green	517.5~535.5	225	565	2.5	3.5	10
67-21/GHC-BV1/2T	3.5x2.7x1.9	Brilliant Green	523.5~533.5	715	900	2.7	4.3	20
67-21/R6C-AP2R1B/2T	3.5x2.7x1.9	Brilliant Red	617.5~633.5	57	140	1.75	2.35	20
67-21/R6C-FN2Q1BZ/2T	3.5x2.7x1.9	Brilliant Red	621~631	36	90	1.75	2.35	10
67-21/R6C-FR2T1B/2T	3.5x2.7x1.9	Brilliant Red	621~631	140	360	1.75	2.35	20
67-21/R6C-FS1U1B/2T	3.5x2.7x1.9	Brilliant Red	621~631	180	565	1.75	2.35	20
67-21/RSC-FT2V1B/2T	3.5x2.7x1.9	Brilliant Red	621~631	360	900	1.75	2.35	20
67-21/S2C-FQ2R2B/2T	3.5x2.7x1.9	Brilliant Orange	603~609	90	180	1.75 / 2	2.35	20
67-21/S3C-AS1T1/2T	3.5x2.7x1.9	Reddish Orange	605.5~621.5	180	360	2	2.4	20
67-21/T2C-ZV1W2E/2T	3.5x2.7x1.9	White	x=0.2498~0.296 y=0.2185~0.2950	715	1800	2.75	3.65	20
67-21/Y2C-BR2T1B/2T	3.5x2.7x1.9	Brilliant Yellow	588.5~594.5	140	360	1.75	2.35	20
67-21/YSC-FU1V2B/2T	3.5x2.7x1.9	Brilliant Yellow	586~594	450	1120	1.75	2.35	20

SMD LED

SMD LED | Surface Mount PLCC LEDs (Reflector) | Top View PLCC3



UNIT : mm

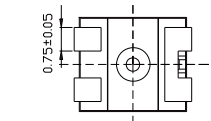
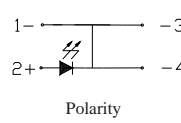
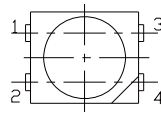


Product	Size (LxWxHmm)	Color	λ_d (nm)/CIE(x,y)	I_v Min./Typ. (mcd)	I_v Max. (mcd)	V_f Min./Typ. (V)	V_f Max. (V)	I_f (mA)
67-31A/B7C-AT1U2MZ3/2T	3.5x2.7x1.8	Blue	464.5~476.5	285	715	2.75	3.95	30
67-31A/GHC-YV1W2EZ3/2T	3.5x2.7x1.8	Green	520~535	715	1800	2.75	3.65	30
67-31A/SAC-AW1X2B9Z5/2T	3.5x2.7x1.8	Reddish Orange	605.5~625.5	1120	2850	1.95	2.75	50

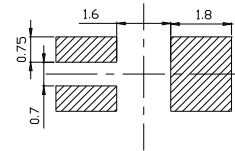
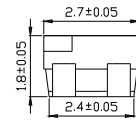
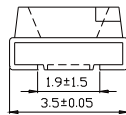
SMD LED | Surface Mount PLCC LEDs (Reflector) | Top View PLCC3



UNIT : mm



Recommended soldering pad design

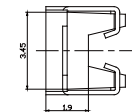
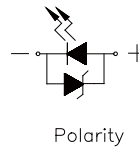
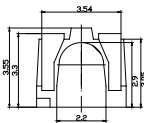


Product	Size (LxWxHmm)	Color	λ_d (nm)/CIE(x,y)	I_V Min./Typ. (mcd)	I_V Max. (mcd)	V_F Min./Typ. (V)	V_F Max. (V)	I_F (mA)
67-31E/RSC-AV1W2B9Z5/2T	3.5x2.7x1.8	● Brilliant Red	617.5~633.5	715	1800	2.15	2.75	50

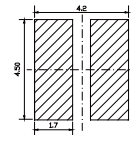
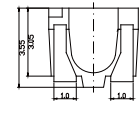
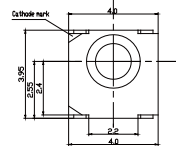
SMD LED | Surface Mount PLCC LEDs (Reflector) | Side View LED



UNIT : mm



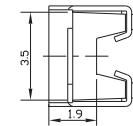
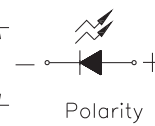
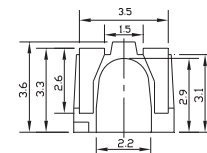
Recommended soldering pad design



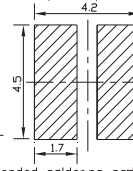
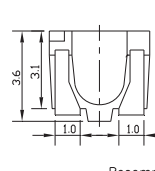
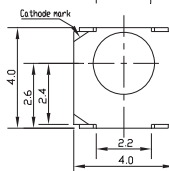
Product	Size (LxWxHmm)	Color	λ_d (nm)/CIE(x,y)	I_V Min./Typ. (mcd)	I_V Max. (mcd)	V_F Min./Typ. (V)	V_F Max. (V)
57-11UTC/S827-1/TR8	4.0x4.0x3.6	○ White	x=0.3070~0.3520 y=0.2840~0.3710	900	1800	2.75	3.95



UNIT : mm

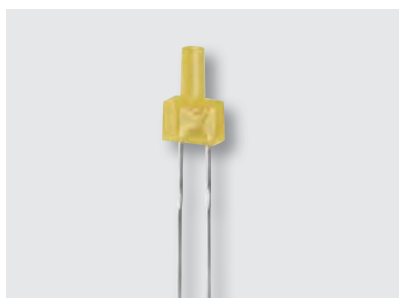


Recommended soldering pad design

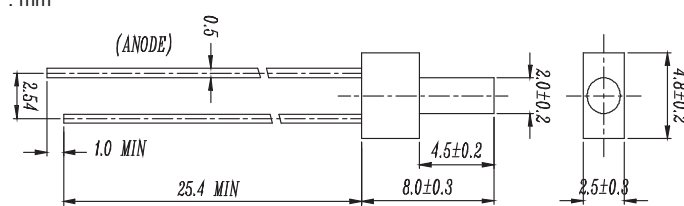


Product	Size (LxWxHmm)	Color	λ_d (nm)/CIE(x,y)	I_V Min./Typ. (mcd)	I_V Max. (mcd)	V_F Min./Typ. (V)	V_F Max. (V)	I_F (mA)
57-21/R6C-AP1Q2B/BF	4.0x4.0x3.6	● Brilliant Red	617.5~633.5	45	112	1.75	2.35	10
57-21/SYGC/S530-E3/TR8	4.0x4.0x3.6	● Brilliant Yellow Green	573	32/51	--	1.7 / 2.0	2.4	20

LED Lamps | 2mm Tower Type

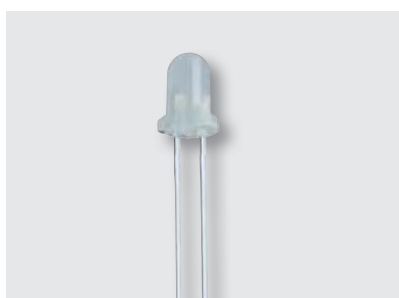


UNIT : mm

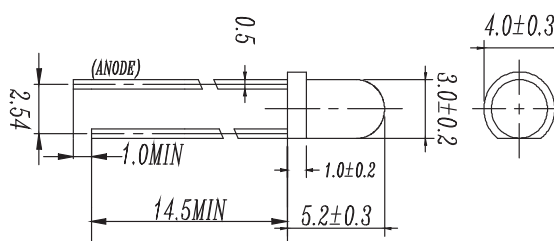


Product	Size (mm)	Color	Lens Type	λ_d (nm) / CIE(x,y)	Resin Color	I_v (Min/Typ) (mcd)	V_F (Typ/Max) (V)	Viewing Angle (°)
103SURD/S530-A3	2	● Brilliant Red	Tower	624	Red Diffused	25 / 40	2.0 / 2.4	130
103SYGD/S530-E2	2	● Brilliant Yellow Green	Tower	573	Green Diffused	6.3 / 12.5	2.0 / 2.4	130
103UYD/S530-A3	3	● Brilliant Yellow	Tower	589	Yellow Diffused	25/ 50	2.0 / 2.4	130

LED Lamps | 3mm Round Type



UNIT : mm

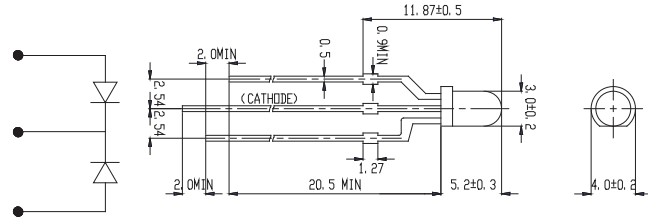


Product	Size (mm)	Color	Lens Type	λ_d (nm) / CIE(x,y)	Resin Color	I_v (Min/Typ) (mcd)	V_F (Typ/Max) (V)	Viewing Angle (°)
204-10SDRD/S530-A3	3	● Deep Red	Round	639	Red Diffused	40 / 80	2.0 / 2.4	50
204-10SUBC/S400-A4	3	● Blue	Round	470	Water Clear	400 / 800	3.4 / 4.0	20
204-10SUGC/S400-A5	3	● Brilliant Green	Round	525	Water Clear	1600 / 3200	3.2 / 3.7	30
204-10SURD/S530-A3	3	● Brilliant Red	Round	624	Red Diffused	40 / 80	2.0 / 2.4	45
204-10SYGD/S530-E3	3	● Brilliant Yellow Green	Round	573	Green Diffused	63 / 100	2.0 / 2.4	45
204-10UYD/S530-A3	3	● Brilliant Yellow	Round	589	Yellow Diffused	100 / 200	2.0 / 2.4	60
204-10UYOC/S530-A3	3	● Brilliant Orange	Round	605	Water Clear	320 / 500	2.0 / 2.4	30

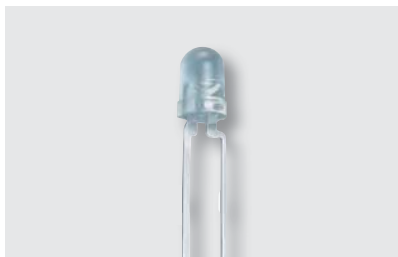
LED Lamps | 3mm Round Type



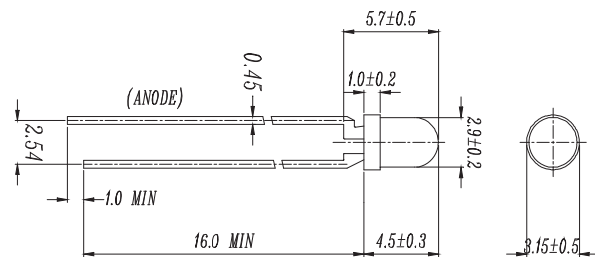
UNIT : mm



Product	Size (mm)	Color	Lens Type	λ_d (nm) / CIE(x,y)	Resin Color	I_v (Min/Typ) (mcd)	V_F (Typ/Max) (V)	Viewing Angle (°)
209SDRSYGW/S530-A3	3	<ul style="list-style-type: none"> ● Deep Red ● Brilliant Yellow Green 	Round	639 / 573	White Diffused	25 / 50 16 / 32	2.0 / 2.4 2.0 / 2.4	80
209SURSYGW/S530-A3	3	<ul style="list-style-type: none"> ● Brilliant Red ● Brilliant Yellow Green 	Round	624 / 573	White Diffused	40 / 80 20 / 40	2.0 / 2.4 2.0 / 2.4	80



UNIT : mm

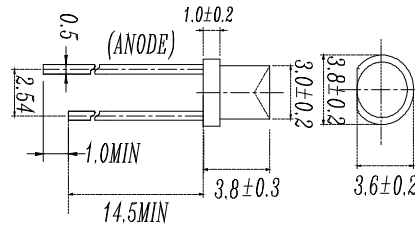


Product	Size (mm)	Color	Lens Type	λ_d (nm) / CIE(x,y)	Resin Color	I_v (Min/Typ) (mcd)	V_F (Typ/Max) (V)	Viewing Angle (°)
264-7SDRC/S530-A3	2.9	● Deep Red	Round	639	Water Clear	40 / 100	2.0 / 2.4	40
264-7SUBC/S400-X9	2.9	● Blue	Round	470	Water Clear	400 / 800	3.3 / 3.7	30
264-7UYOC/S530-A3	2.9	● Brilliant Orange	Round	605	Water Clear	110 / 200	2.0 / 2.4	40
264-7SUGC/S400-A5	2.9	● Brilliant Green	Round	525	Water Clear	1000 / 2000	3.3 / 3.7	30
264-7SURC/S400-A8	2.9	● Brilliant Red	Round	624	Water Clear	400 / 800	2.0 / 2.4	40
264-7SYGC/S530-E3	2.9	● Brilliant Yellow Green	Round	573	Water Clear	100 / 320	2.0 / 2.4	35
264-7UYC/S400-A9	2.9	● Brilliant Yellow	Round	589	Water Clear	400 / 800	2.0 / 2.4	40

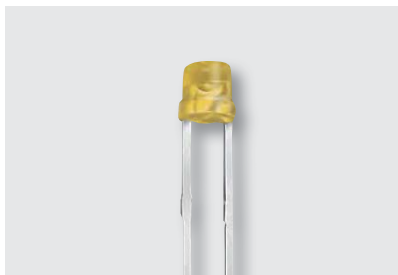
LED Lamps | 3mm Round Type



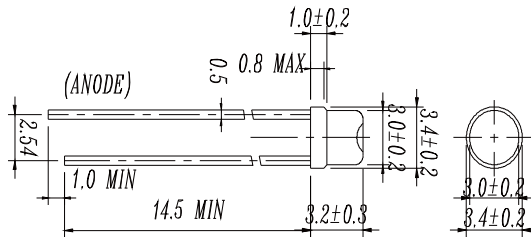
UNIT : mm



Product	Size (mm)	Color	Lens Type	λ_d (nm) / CIE(x,y)	Resin Color	I_v (Min/Typ) (mcd)	V_F (Typ/Max) (V)	Viewing Angle (°)
484-10SURT/S530-A3	3	● Brilliant Red	Round	624	Red Trans	10 / 20	2.0 / 2.4	130
484-10UYT/S530-A3	3	● Brilliant Yellow	Round	589	Yellow Trans	16 / 32	2.0 / 2.4	110
484-10SYGT/S530-E2	3	● Brilliant Yellow Green	Round	573	Green Trans	6.3 / 12.5	2.0 / 2.4	80
484-10UYOC/S530-A3	3	● Brilliant Orange	Round	605	Water Clear	40 / 80	2.0 / 2.4	160



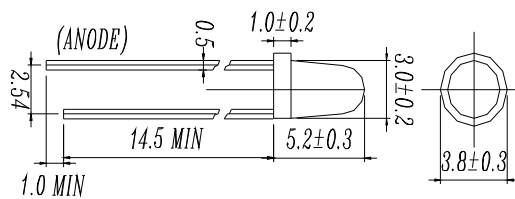
UNIT : mm



Product	Size (mm)	Color	Lens Type	λ_d (nm) / CIE(x,y)	Resin Color	I_v (Min/Typ) (mcd)	V_F (Typ/Max) (V)	Viewing Angle (°)
494-10SURT/S530-A3	3	● Brilliant Red	Round	624	Red Trans	16 / 32	2.0 / 2.4	100
494-10SYGT/S530-E2	3	● Brilliant Yellow Green	Round	573	Green Trans	10 / 20	2.0 / 2.4	100



UNIT : mm

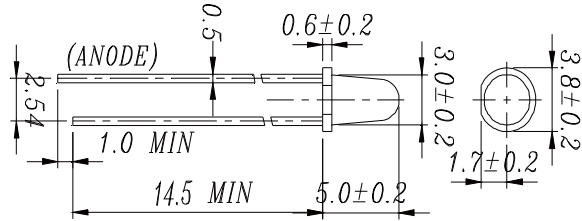


Product	Size (mm)	Color	Lens Type	λ_d (nm) / CIE(x,y)	Resin Color	I_v (Min/Typ) (mcd)	V_F (Typ/Max) (V)	Viewing Angle (°)
1224SYGC/S530-E2	3	● Brilliant Yellow Green	Round	573	Water Clear	63 / 100	2.0 / 2.4	25
1224USOC/S530-A3	3	● Reddish Orange	Round	615	Water Clear	188 / 295	2.0 / 2.4	25
1224UTC/S400-A6	3	○ White	Round	x=0.29, y=0.28	Water Clear	715 / 1800	3.2 / 3.6	25
1224SURC/S530-A3	3	● Brilliant Red	Round	624	Water Clear	160 / 400	2.0 / 2.4	20
1224UYC/S530-A3	3	● Brilliant Yellow	Round	589	Water Clear	160 / 320	2.0 / 2.4	25
1224SDRC/S530-A4	3	● Deep Red	Round	639	Water Clear	250 / 500	2.0 / 2.4	25
1224SUGC/S400-A5	3	● Brilliant Green	Round	525	Water Clear	1600 / 2000	3.3 / 3.7	30

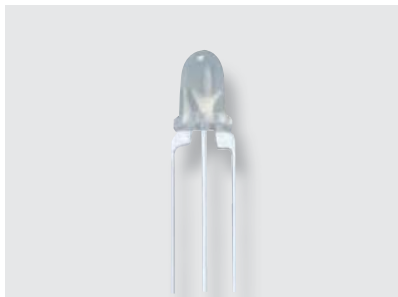
LED Lamps | 3mm Round Type



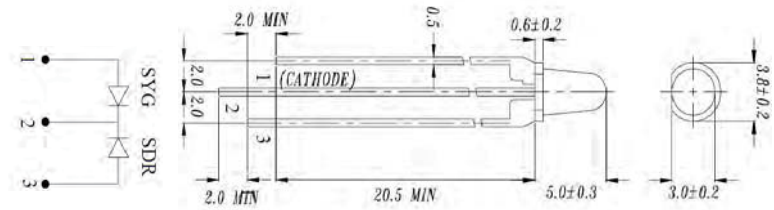
UNIT : mm



Product	Size (mm)	Color	Lens Type	λ_d (nm) / CIE(x,y)	Resin Color	I_V (Min/Typ) (mcd)	V_F (Typ/Max) (V)	Viewing Angle (°)
1254-10SDRT/S530-A3	3	● Deep Red	Round	639	Red Trans	160/320	2.0 / 2.4	30
1254-10SURT/S530-A3	3	● Brilliant Red	Round	624	Red Trans	160 / 320	2.0 / 2.4	30
1254-10SYGT/S530-E2	3	● Brilliant Yellow Green	Round	573	Green Trans	160 / 320	2.0 / 2.4	30
1254-10UYD/S530-A3	3	● Brilliant Yellow	Round	589	Yellow Diffused	100 / 200	2.0 / 2.4	30
1254-10UYOT/S530-A3	3	● Brilliant Orange	Round	605	Yellow OrangeTrans	250 / 500	2.0 / 2.4	30



UNIT : mm

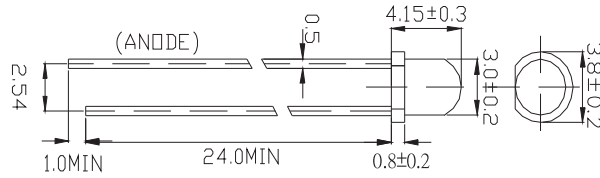


Product	Size (mm)	Color	Lens Type	λ_d (nm)/CIE(x,y)	Resin Color	I_V (Min/Typ) (mcd)	V_F (Typ/Max) (V)	Viewing Angle (°)
1259-7SDRSYGW/S530-A3	3	● Deep Red ● Brilliant Yellow Green	Round	639 / 573	White Diffused	16 / 32 25 / 50	2.0 / 2.4 2.0 / 2.4	50
1259-7SURSYGW/S530-A3	3	● Brilliant Red ● Brilliant Yellow Green	Round	624 / 573	White Diffused	40 / 80 16 / 32	2.0 / 2.4 2.0 / 2.4	60
1259-7UYSYGW/S530-A3	3	● Brilliant Yellow ● Brilliant Yellow Green	Round	589 / 573	White Diffused	63 / 125 40 / 80	2.0 / 2.4 2.0 / 2.4	40

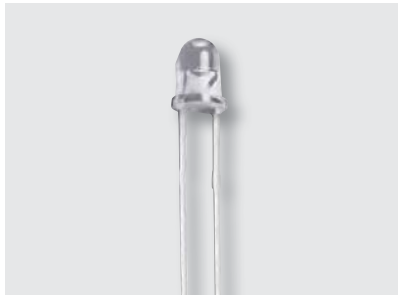
LED Lamps | 3mm Round Type



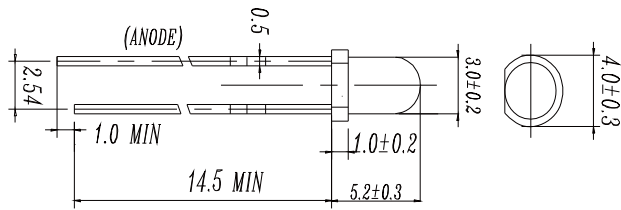
UNIT : mm



Product	Size (mm)	Color	Lens Type	λ_d (nm)/ CIE(x,y)	Resin Color	I_v (Min/Typ) (mcd)	V_F (Typ/Max) (V)	Viewing Angle (°)
3294-15SUBC/S400-A6	3	● Blue	Round	470	Water Clear	160 / 320	3.4 / 4.0	90
3294-15SUGC/S400-A6	3	● Brilliant Green	Round	525	Water Clear	500 / 1250	3.4 / 4.0	45
3294-15SURC/S400-A7	3	● Brilliant Red	Round	624	Water Clear	100 / 200	2.0 / 2.4	90
3294-15UBGC/S400-A6	3	● Bluish Green	Round	505	Water Clear	400 / 800	3.5 / 4.3	90



UNIT : mm

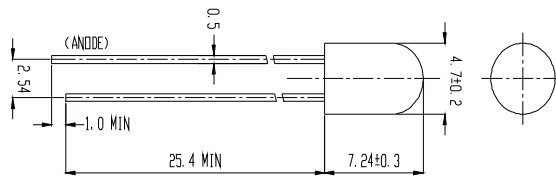


Product	Size (mm)	Color	Lens Type	λ_d (nm)/ CIE(x,y)	Resin Color	I_v (Min/Typ) (mcd)	V_F (Typ/Max) (V)	Viewing Angle (°)
4204-10SYGC/S530-E4	3	● Brilliant Yellow Green	Round	573	Water Clear	250 / 500	2.0 / 2.4	20
4204-10SURC/S530-A3	3	● Brilliant Red	Round	624	Water Clear	320 / 500	2.0 / 2.4	25

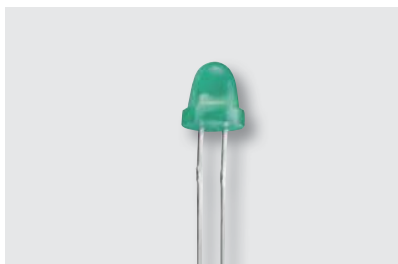
LED Lamps | 5mm Round Type



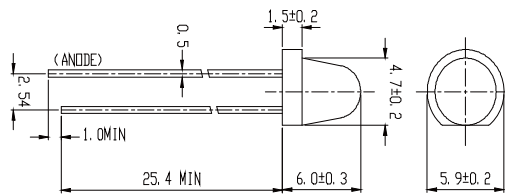
UNIT : mm



Product	Size (mm)	Color	Lens Type	λ_d (nm)/CIE(x,y)	Resin Color	I_V (Min/Typ) (mcd)	V_F (Typ/Max) (V)	Viewing Angle (°)
313-2SYGC/S530-E2	4.7	● Brilliant Yellow Green	Round	573	Water Clear	250 / 500	2.0 / 2.4	20
313-2UYD/S530-A3	4.7	● Brilliant Yellow	Round	589	Yellow Diffused	100 / 200	2.0 / 2.4	50
313-2SUBC/C470/S400-A4	4.7	● Blue	Round	470	Water Clear	630 / 1000	3.4 / 4.0	20



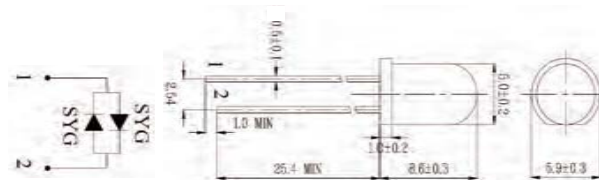
UNIT : mm



Product	Size (mm)	Color	Lens Type	λ_d (nm)/CIE(x,y)	Resin Color	I_V (Min/Typ) (mcd)	V_F (Typ/Max) (V)	Viewing Angle (°)
323-2SURD/S530-A3	4.7	● Brilliant Red	Round	624	Red Diffused	63 / 100	2.0 / 2.4	40
323-2SYGD/S530-E2	4.7	● Brilliant Yellow Green	Round	573	Green Diffused	40 / 80	2.0 / 2.4	60
323-2SDRD/S530-A3	4.7	● Deep Red	Round	639	Red Diffused	25 / 50	2.0 / 2.4	60

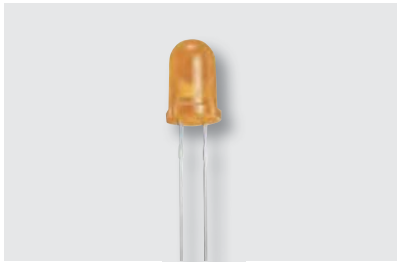


UNIT : mm

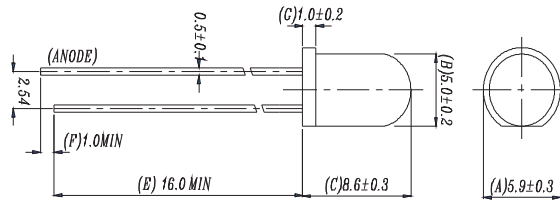


Product	Size (mm)	Color	Lens Type	λ_d (nm)/CIE(x,y)	Resin Color	I_V (Min/Typ) (mcd)	V_F (Typ/Max) (V)	Viewing Angle (°)
336SURSYGW/S530-A3	5	● Brilliant Red ● Brilliant Yellow Green	Round	624 / 573	White Diffused	16 / 32 16 / 32	2.0 / 2.4 2.0 / 2.4	90
336SYGSYGD/S530-E2	5	● Brilliant Yellow Green	Round	573 / 573	Green Diffused	8 / 16	2.0 / 2.4	90
336UYSYGW/S530-A3	5	● Brilliant Yellow ● Brilliant Yellow Green	Round	589/573	White Diffused	40 / 80 16 / 32	2.0 / 2.4 2.0 / 2.4	80

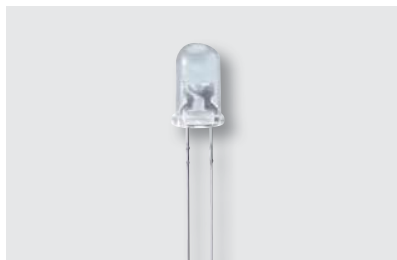
LED Lamps | 5mm Round Type



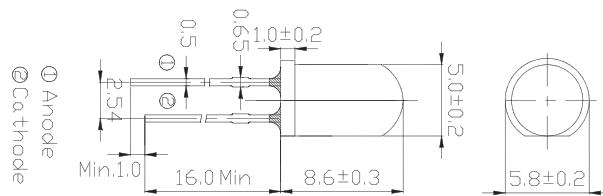
UNIT : mm



Product	Size (mm)	Color	Lens Type	λ_d (nm)/CIE(x,y)	Resin Color	I_v (Min/Typ) (mcd)	V_F (Typ/Max) (V)	Viewing Angle (°)
333-2SDRC/S530-A4	5	● Deep Red	Round	639	Water Clear	400 / 1000	2.0 / 2.4	10
333-2SUBC/C470/S400-A6	5	● Blue	Round	470	Water Clear	1000 / 2000	3.4 / 4.0	10
333-2SUGC/S400-A5	5	● Brilliant Green	Round	525	Water Clear	4000 / 8000	3.4 / 4.0	15
333-2SURC/S400-A8	5	● Brilliant Red	Round	624	Water Clear	3200 / 5000	2.0 / 2.4	10
333-2SYGC/S530-E2	5	● Brilliant Yellow Green	Round	573	Water Clear	400 / 800	2.0 / 2.4	10
333-2UYC/S400-A4	5	● Brilliant Yellow	Round	589	Water Clear	1432 / 2148	2.0 / 2.4	10
333-2UYC/S530-A3	5	● Brilliant Yellow	Round	589	Water Clear	630 / 1600	2.0 / 2.4	10
333-2UYOC/S530-A3-L	5	● Yellow Orange	Round	605	Water Clear	630 / 1250	2.0 / 2.4	10



UNIT : mm

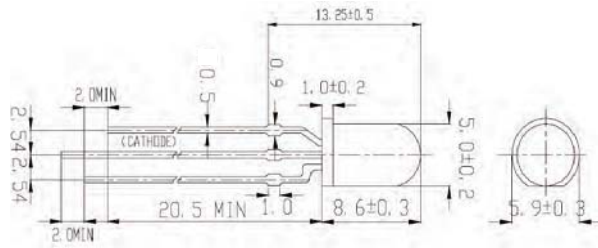


Product	Size (mm)	Color	Lens Type	λ_d (nm)/CIE(x,y)	Resin Color	I_v (Min/Typ) (mcd)	V_F (Typ/Max) (V)	Viewing Angle (°)
334-15/F1C1-1XZA	5	○ White	Round	x=0.29, y=0.28	Water Clear	18000 / 36000	3.2 / 3.6	15
334-15/T1C1-4WYA	5	○ White	Round	x=0.30, y=0.29	Water Clear	14250 / 28500	3.2 / 3.6	15
334-15/F1C2-7VXA	5	○ White	Round	x=0.30, y=0.29	Water Clear	11250 / 22500	3.2 / 3.6	20
334-15/T2C2-1TWB	5	○ White	Round	x=0.29, y=0.28	Water Clear	7150 / 18000	3.2 / 3.6	20
334-15/T1C3-2TVA	5	○ White	Round	x=0.26, y=0.27	Water Clear	7150 / 14250	3.2 / 3.6	30
334-15/T2C3-2TVC	5	○ White	Round	x=0.26, y=0.27	Water Clear	7150 / 14250	3.2 / 3.6	30
334-15/F1C5-1RTA	5	○ White	Round	x=0.29, y=0.28	Water Clear	4500 / 9000	3.2 / 3.6	50
334-15/T1C5-7QSA	5	○ White	Round	x=0.30, y=0.29	Water Clear	3600 / 7150	3.2 / 3.6	50
334-15/T2C5-1QSB	5	○ White	Round	x=0.29, y=0.28	Water Clear	3600 / 7150	3.2 / 3.6	50
334-15/X2C1-1WYB	5	● Warm White	Round	x=0.40, y=0.39	Water Clear	14250 / 28500	3.2 / 3.6	15
334-15/X1C2-1UWA	5	● Warm White	Round	x=0.40, y=0.39	Water Clear	9000 / 18000	3.2 / 3.6	20
334-15/X2C3-1TVA	5	● Warm White	Round	x=0.40, y=0.39	Water Clear	7150 / 14250	3.2 / 3.6	30
334-15/X1C5-1QSA	5	● Warm White	Round	x=0.40, y=0.39	Water Clear	3500 / 7150	3.2 / 3.6	50
334-15/X2C5-1PSB	5	● Warm White	Round	x=0.40, y=0.39	Water Clear	2850 / 7150	3.2 / 3.6	50

LED Lamps | 5mm Round Type



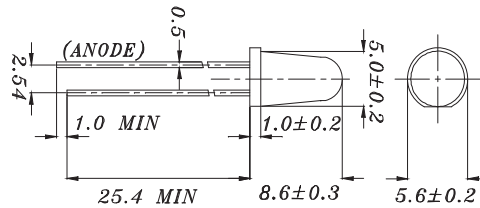
UNIT : mm



Product	Size (mm)	Color	Lens Type	λ_d (nm)/CIE(x,y)	Resin Color	I_v (Min/Typ) (mcd)	V_F (Typ/Max) (V)	Viewing Angle (°)
339-1SURYGW/S530-A3	5	● Brilliant Red ● Brilliant Yellow Green	Round	624 / 573	White Diffused	40 / 80 25 / 50	2.0 / 2.4 2.0 / 2.4	70
339-1UYSYGW/S530-A3	5	● Brilliant Yellow ● Brilliant Yellow Green	Round	589 / 573	White Diffused	63 / 100 32 / 50	2.0 / 2.4 2.0 / 2.4	70
339-1UYUBW/S530-A4	5	● Brilliant Yellow ● Blue	Round	589 / 470	White Diffused	25 / 50 16 / 32	2.0 / 2.4 3.5 / 4.3	100



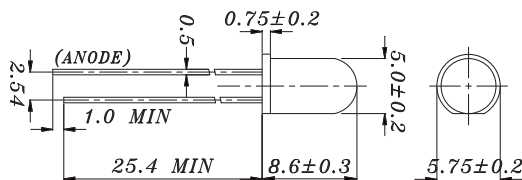
UNIT : mm



Product	Size (mm)	Color	Lens Type	λ_d (nm)/CIE(x,y)	Resin Color	I_v (Min/Typ) (mcd)	V_F (Typ/Max) (V)	Viewing Angle (°)
383-2SDRC/S530-A3	5	● Deep Red	Round	639	Water Clear	1000 / 2000	2.0 / 2.4	6
383-2SUGC/S400-A4	5	● Brilliant Green	Round	525	Water Clear	2500 / 4500	3.3 / 3.7	25
383-2SUBC/C470/S400-A6	5	● Blue	Round	470	Water Clear	1600 / 3200	3.4 / 4.0	20
383-2SURC/S530-A3	5	● Brilliant Red	Round	624	Water Clear	1000 / 2500	2.0 / 2.4	6
383-2SYGC/S530-E2	5	● Brilliant Yellow Green	Round	573	Water Clear	160 / 320	2.0 / 2.4	10
383-2USOC/S530-A6	5	● Reddish Orange	Round	615	Water Clear	6300 / 8000	2.0 / 2.4	6
383-2UYC/S530-A3	5	● Brilliant Yellow	Round	589	Water Clear	2713 / 4263	2.0 / 2.4	6

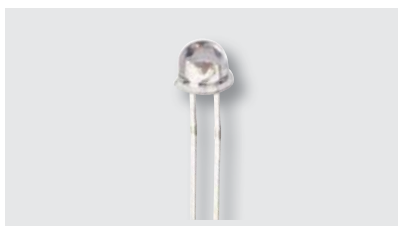


UNIT : mm

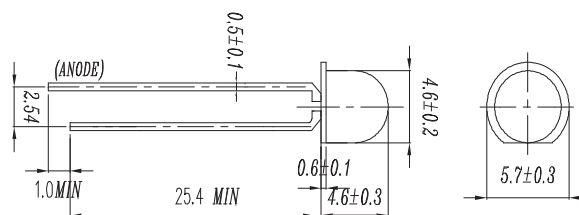


Product	Size (mm)	Color	Lens Type	λ_d (nm)/CIE(x,y)	Resin Color	I_v (Min/Typ) (mcd)	V_F (Typ/Max) (V)	Viewing Angle (°)
1383-2SDRD/S530-A3	5	● Deep Red	Round	639	Red Diffused	160 / 320	2.0 / 2.4	30
1383-2SURD/S530-A3	5	● Brilliant Red	Round	624	Red Diffused	250 / 500	2.0 / 2.4	40
1383SYGD/S530-E2	5	● Brilliant Yellow Green	Round	573	Green Diffused	100 / 200	2.0 / 2.4	25
1383UYD/S530-A3	5	● Brilliant Yellow	Round	589	Yellow Diffused	400 / 800	2.0 / 2.4	25

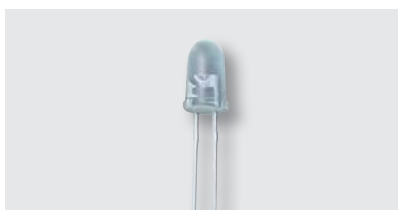
LED Lamps | 5mm Round Type



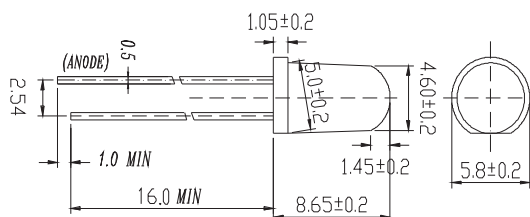
UNIT : mm



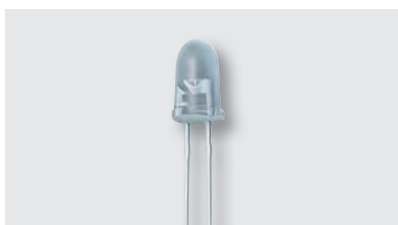
Product	Size (mm)	Color	Lens Type	λ_d (nm)/CIE(x,y)	Resin Color	I_V (Min/Typ) (mcd)	V_F (Typ/Max) (V)	Viewing Angle (°)
6324-15SUBC/S400-X10	4.6	Blue	Round	470	Water Clear	250 / 500	3.4 / 4.0	60
6324-15SURC/S400-A9	4.6	Brilliant Red	Round	624	Water Clear	160 / 320	2.0 / 2.4	100
6324-15SUGC/S400-A5	4.6	Brilliant Green	Round	525	Water Clear	630 / 1250	3.3 / 3.7	50



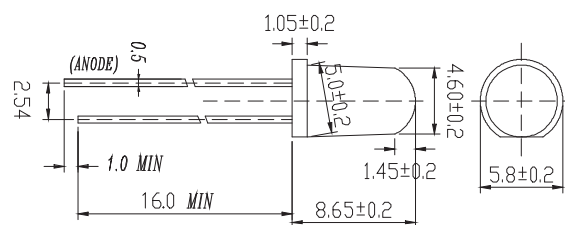
UNIT : mm



Product	Size (mm)	Color	Lens Type	λ_d (nm)/CIE(x,y)	Resin Color	I_V (Min/Typ) (mcd)	V_F (Typ/Max) (V)	Viewing Angle (°)
7343-2SURC/S530-A3	4.6	Brilliant Red	Round	624	Water Clear	400 / 800	2.0 / 2.4	20
7343-2SYGC/S530-E2	4.6	Brilliant Yellow Green	Round	573	Water Clear	160 / 320	2.0 / 2.4	20
7343-2USOC/S530-A3	4.6	Reddish Orange	Round	615	Water Clear	630 / 1250	2.0 / 2.4	20
7343-2SURC/S530-A3	4.6	Brilliant Red	Round	624	Water Clear	400/800	1.7/2.4	20



UNIT : mm

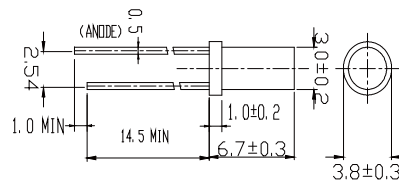


Product	Size (mm)	Color	Lens Type	λ_d (nm)/CIE(x,y)	Resin Color	I_V (Min/Typ) (mcd)	V_F (Typ/Max) (V)	Viewing Angle (°)
7344-15SUBC/C470/S400-A6	4.6	Blue	Round	470	Water Clear	1000 / 2000	3.4 / 4.0	30
7344-15SUGC/S400-A5	4.6	Brilliant Green	Round	525	Water Clear	5000 / 8000	3.4 / 4.0	30
7344-15SUGC/S400-X6	4.6	Brilliant Green	Round	525	Water Clear	8000 / 11000	3.4 / 4.0	20

LED Lamps | 3mm Cylindrical



UNIT : mm

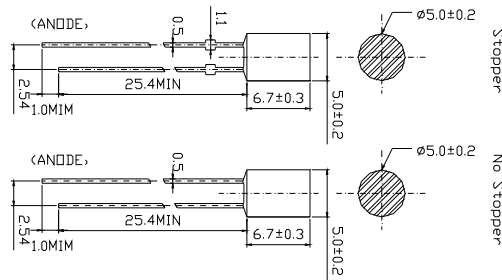


Product	Size (mm)	Color	Lens Type	λ_d (nm)/CIE(x,y)	Resin Color	I_V (Min/Typ) (mcd)	V_F (Typ/Max) (V)	Viewing Angle (°)
414-10UYD/S530-A3	3	● Brilliant Yellow	Cylindrical	589	Yellow Diffused	25 / 40	2.0 / 2.4	120
414-10SURD/S530-A3	3	● Brilliant Red	Cylindrical	624	Red Diffused	16 / 32	2.0 / 2.4	120

LED Lamps | 5mm Cylindrical



UNIT : mm

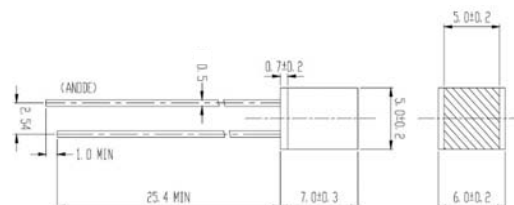


Product	Size (mm)	Color	Lens Type	λ_d (nm)/CIE(x,y)	Resin Color	I_V (Min/Typ) (mcd)	V_F (Typ/Max) (V)	Viewing Angle (°)
423-2UYC/S530-A6	5	● Brilliant Yellow	Cylindrical	589	Water Clear	100 / 200	2.0 / 2.4	90
423-2SURC/S530-A3	5	● Brilliant Red	Cylindrical	624	Water Clear	25 / 63	2.0 / 2.4	80
423-2SUBC/S400-X9	5	● Blue	Cylindrical	470	Water Clear	100 / 200	3.3 / 3.7	80
423-2UYOC/S530-A6	5	● Brilliant Orange	Cylindrical	605	Water Clear	160 / 320	2.0 / 2.4	80

LED Lamps | 5mm Square



UNIT : mm

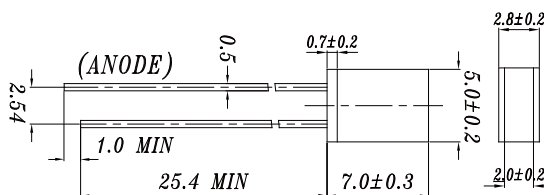


Product	Size (mm)	Color	Lens Type	λ_d (nm)/CIE(x,y)	Resin Color	I_V (Min/Typ) (mcd)	V_F (Typ/Max) (V)	Viewing Angle (°)
583SURD/S530-A3	5x5	● Brilliant Red	Square	624	Red Diffused	12.5 / 20	2.0 / 2.4	130
583SYGD/S530-E2	5x5	● Brilliant Yellow Green	Square	573	Green Diffused	2.5 / 5	2.0 / 2.4	170
583UYD/S530-A3	5x5	● Brilliant Yellow	Square	589	Yellow Diffused	10 / 20	2.0 / 2.4	170

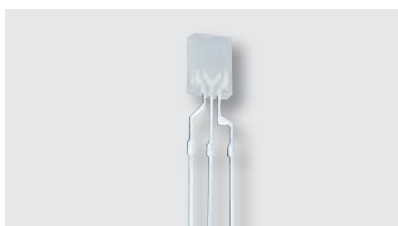
LED Lamps | Rectangular



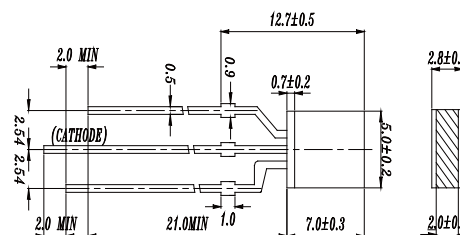
UNIT : mm



Product	Size (mm)	Color	Lens Type	λ_d (nm)/CIE(x,y)	Resin Color	I_v (Min/Typ) (mcd)	V_F (Typ/Max) (V)	Viewing Angle (°)
513SURD/S530-A3	2x5	● Brilliant Red	Rectangle	624	Red Diffused	10 / 20	2.0 / 2.4	180
513SYGD/S530-E2	2x5	● Brilliant Yellow Green	Rectangle	573	Green Diffused	6.3 / 12.5	2.0 / 2.4	140
513UYD/S530-A3	2x5	● Brilliant Yellow	Rectangle	589	Yellow Diffused	20 / 32	2.0 / 2.4	150



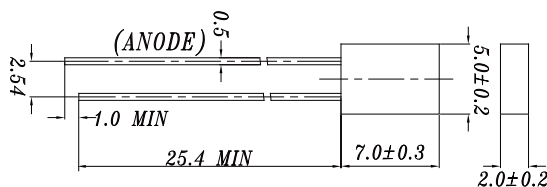
UNIT : mm



Product	Size (mm)	Color	Lens Type	λ_d (nm)/CIE(x,y)	Resin Color	I_v (Min/Typ) (mcd)	V_F (Typ/Max) (V)	Viewing Angle (°)
519-1SURSYGW/S530-A3	2x5	● Brilliant Red ● Brilliant Yellow Green	Rectangle	624 / 573	White Diffused	6.3 / 12.5 2.5 / 5.0	2.0 / 2.4 2.0 / 2.4	180



UNIT : mm

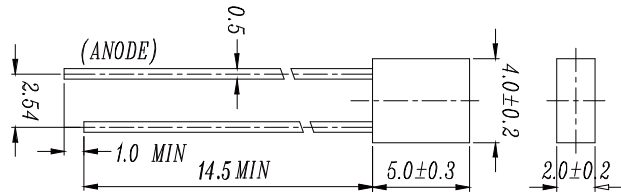


Product	Size (mm)	Color	Lens Type	λ_d (nm)/CIE(x,y)	Resin Color	I_v (Min/Typ) (mcd)	V_F (Typ/Max) (V)	Viewing Angle (°)
523-2SDRD/S530-A3	2x5	● Deep Red	Rectangle	639	Red Diffused	10 / 16	2.0 / 2.4	120
523-2SURD/S530-A3	2x5	● Brilliant Red	Rectangle	624	Red Diffused	16 / 32	2.0 / 2.4	120
523-2SUGD/S400-A6	2x5	● Brilliant Green	Rectangle	525	Green Diffused	160 / 320	3.3 / 3.7	130
523-2UYD/S530-A3	2x5	● Brilliant Yellow	Rectangle	589	Yellow Diffused	6.3 / 12.5	2.0 / 2.4	180
523SYGD/S530-E2	2x5	● Brilliant Yellow Green	Rectangle	573	Green Diffused	4 / 8	2.0 / 2.4	150

LED Lamps | Rectangular



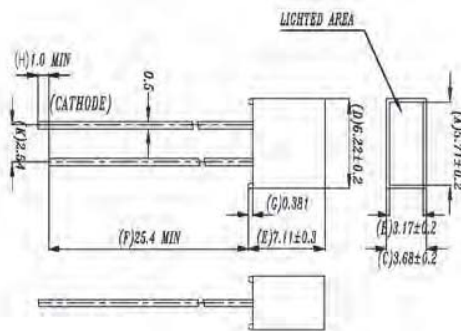
UNIT : mm



Product	Size (mm)	Color	Lens Type	λ_d (nm)/CIE(x,y)	Resin Color	I_V (Min/Typ) (mcd)	V_F (Typ/Max) (V)	Viewing Angle (°)
594SURD/S530-A3	2x4	● Brilliant Red	Rectangular	624	Red Diffused	10 / 16	2.0 / 2.4	170
594UYD/S530-A3	2x4	● Brilliant Yellow	Rectangular	589	Yellow Diffused	10 / 20	2.0 / 2.4	180
594SYGD/S530-E2	2x4	● Brilliant Yellow Green	Rectangular	573	Green Diffused	4.0 / 8.0	2.0 / 2.4	180
594UYD/S530-A3	2x4	● Brilliant Yellow	Rectangular	589	Yellow Diffused	10 / 20	2.0 / 2.4	180



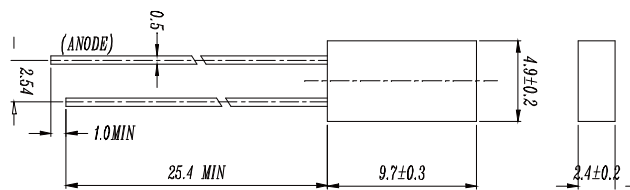
UNIT : mm



Product	Size (mm)	Color	Lens Type	λ_d (nm)/CIE(x,y)	Resin Color	I_V (Min/Typ) (mcd)	V_F (Typ/Max) (V)	Viewing Angle (°)
1003SURD/S530-A3	3.68x6.22	● Brilliant Red	Rectangular	624	Red Diffused	25 / 50	2.0 / 2.4	110
1003SYGD/S530-E2	3.68x6.22	● Brilliant Yellow Green	Rectangular	573	Green Diffused	6.3 / 12.5	2.0 / 2.4	110
1003SUBD/S400-A6	3.68x6.22	● Blue	Rectangular	470	Blue Diffused	10 / 20	3.3 / 3.7	110
1003SUGD/S400-A4	3.68x6.22	● Brilliant Green	Rectangular	525	Green Diffused	16 / 50	3.3 / 4.0	110



UNIT : mm

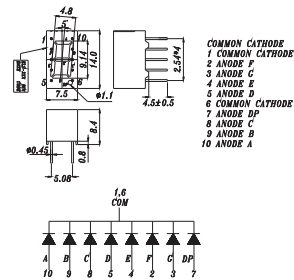


Product	Size (mm)	Color	Lens Type	λ_d (nm)/CIE(x,y)	Resin Color	I_V (Min/Typ) (mcd)	V_F (Typ/Max) (V)	Viewing Angle (°)
1533SURD/S530-A3	2.4x4.9	● Brilliant Red	Round	624	Red Diffused	10 / 20	2.0 / 2.4	170
1533UYD/S530-A3	2.4x4.9	● Brilliant Yellow	Round	589	Yellow Diffused	10 / 20	2.0 / 2.4	180

LED Digital Displays | Chip On Board Display | Single Digit Display



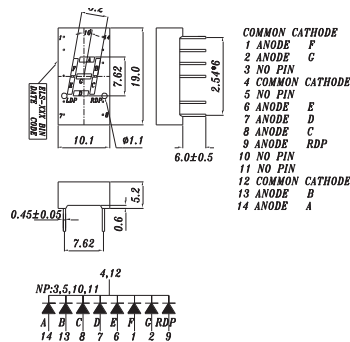
UNIT : mm



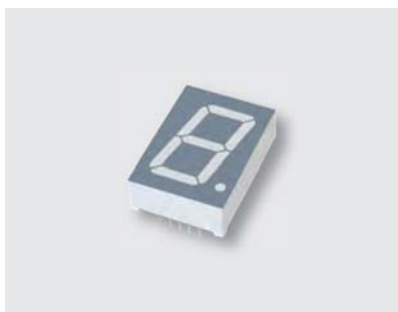
Product	Segment Height mm (inch)	Color	Segment Width	CC/CA	λ_d (nm)	Resin Color	Face Color	I_v (Min/Typ) (mcd)
S315SYGWA/S530-E2	9.14 (0.3)	● Brilliant Yellow Green	4.8	CC	573	White	Gray	2.0 / 3.2



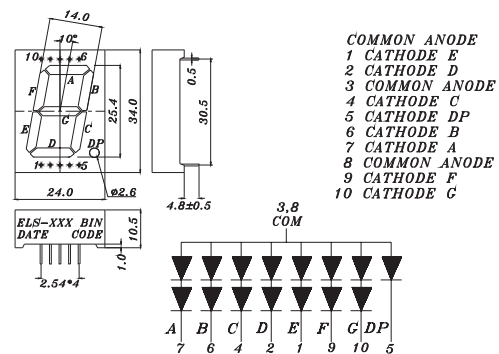
UNIT : mm



Product	Segment Height mm (inch)	Color	Segment Width	CC/CA	λ_d (nm)	Resin Color	Face Color	I_v (Min/Typ) (mcd)
S321SURWA/S530-A3	7.62 (0.3)	● Brilliant Red	5.2	CC	624	White	Gray	5.6 / 11.0
S321USOWA/S530-A4	7.62 (0.3)	● Reddish Orange	5.2	CC	615	White	Gray	7.8 / 17.6



UNIT : mm

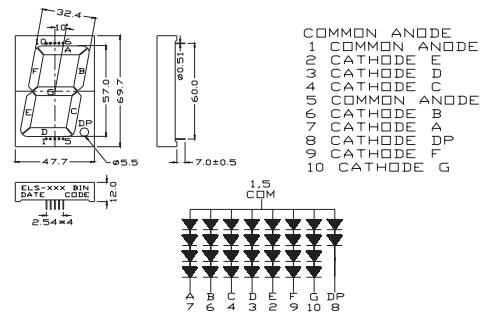


Product	Segment Height mm (inch)	Color	Segment Width	CC/CA	λ_d (nm)	Resin Color	Face Color	I_v (Min/Typ) (mcd)
S1006SURWA/S530-A3	25.4(1.0)	● Brilliant Red	14	CA	624	White	Gray	15 / 24
S1006SYGWA/S530-E2	25.4(1.0)	● Brilliant Yellow Green	14	CA	573	White	Gray	5.6 / 12.5
S1006SDRDB/A3/S660	25.4(1.0)	● Deep-Red	14	CA	639	Red	Black	11.0 / 24.0

LED Digital Displays | Chip On Board Display | Single Digit Display



UNIT : mm

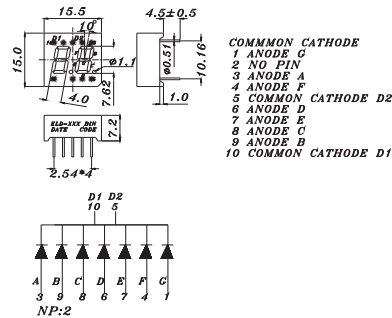


Product	Segment Height mm (inch)	Color	Segment Width	CC/CA	λ_d (nm)	Resin Color	Face Color	I_v (Min/Typ) (mcd)
S2326SURWA/S530-A3	57 (2)	● Brilliant Red	32.4	CA	624	White	Gray	15 / 34
S2326USOWA/S530-A4	57 (2)	● Reddish Orange	32.4	CA	615	White	Gray	30 / 67
S2326SYGWA/S530-E2	57 (2)	● Brilliant Yellow Green	32.4	CA	573	White	Gray	5.6 / 12.5
S2326UBWA/C470	57 (2)	● Blue	32.4	CA	470	White	Gray	15 / 34

LED Digital Displays | Chip On Board Display | Dual Digit Display



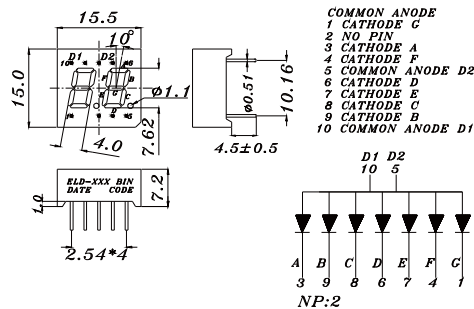
UNIT : mm



Product	Segment Height mm (inch)	Color	Segment Width	CC/CA	λ_d (nm)	Resin Color	Face Color	I_v (Min/Typ) (mcd)
D305SURWA/S530-A3	7.62 (0.3)	● Brilliant Red	4	CC	624	White	Gray	4.0 / 6.4
D305SDRWB/S530-A3	7.62 (0.3)	● Deep-Red	4	CC	639	White	Black	2.0 / 4.5



UNIT : mm

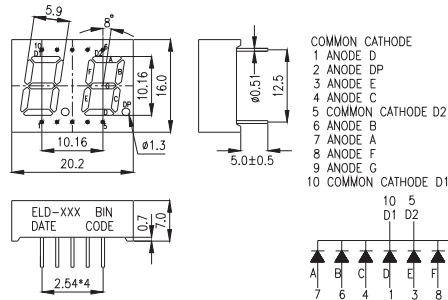


Product	Segment Height mm (inch)	Color	Segment Width	CC/CA	λ_d (nm)	Resin Color	Face Color	I_v (Min/Typ) (mcd)
D306SURWA/S530-A3	7.62 (0.3)	● Brilliant Red	4	CA	624	White	Gray	4.0 / 6.4
D306USOWA/S530-A3	7.62 (0.3)	● Reddish Orange	4	CA	615	White	Gray	4.0 / 8.9

LED Digital Displays | Chip On Board Display | Dual Digit Display



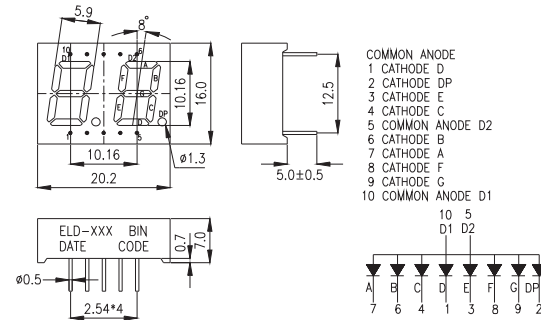
UNIT : mm



Product	Segment Height mm (inch)	Color	Segment Width	CC/CA	λ_d (nm)	Resin Color	Face Color	I_v (Min/Typ) (mcd)
D425SURWA/S530-A3	10.16 (0.4)	● Brilliant Red	5.9	CC	624	White	Gray	7.8 / 15.0
D425USOWA/S530-A4	10.16 (0.4)	● Reddish Orange	5.9	CC	615	White	Gray	11.0 / 24.0
D425SYGWA/S530-E2	10.16 (0.4)	● Brilliant Yellow Green	5.9	CC	573	White	Gray	2.0 / 3.2
D425SDRWA/S530-A4	10.16 (0.4)	● Deep-Red	5.9	CC	639	White	Gray	4.0 / 8.9



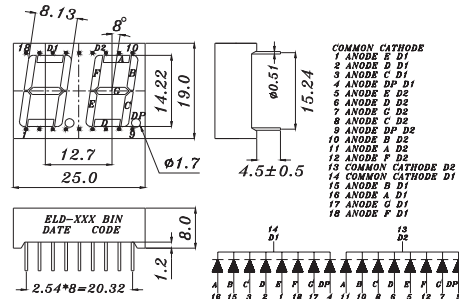
UNIT : mm



Product	Segment Height mm (inch)	Color	Segment Width	CC/CA	λ_d (nm)	Resin Color	Face Color	I_v (Min/Typ) (mcd)
D426SURWB/S530-A3	10.16 (0.4)	● Brilliant Red	5.9	CA	624	White	Black	7.8 / 15
D426USOWA/S530-A3	10.16 (0.4)	● Reddish Orange	5.9	CA	615	White	Gray	11 / 24
D426UYOWB/S530-A3	10.16 (0.4)	● Brilliant Yellow	5.9	CA	605	White	Black	5.6 / 12.5
D426SYGWA/S530-E2	10.16 (0.4)	● Brilliant Yellow Green	5.9	CA	573	White	Gray	2 / 3.2



UNIT : mm

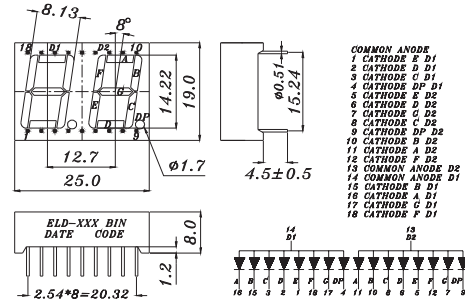


Product	Segment Height mm (inch)	Color	Segment Width	CC/CA	λ_d (nm)	Resin Color	Face Color	I_v (Min/Typ) (mcd)
D511SURWB/S530-A3	14.22 (0.5)	● Brilliant Red	8.13	CC	624	White	Black	7.8 / 15
D511SYGWB/S530-E2	14.22 (0.5)	● Brilliant Yellow Green	8.13	CC	573	White	Black	2.8 / 6.4

LED Digital Displays | Chip On Board Display | Dual Digit Display



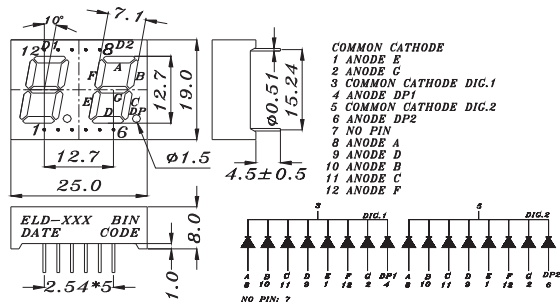
UNIT : mm



Product	Segment Height mm (inch)	Color	Segment Width	CC/CA	λ_d (nm)	Resin Color	Face Color	I_v (Min/Typ) (mcd)
D512SURWB/S530-A3	14.22 (0.5)	● Brilliant Red	8.13	CA	624	White	Black	7.8 / 15
D512UBWA/C470	14.22 (0.5)	● Blue	8.13	CA	470	White	Gray	4 / 6.4
D512SDRWB/S530-A3	14.22 (0.5)	● Deep-Red	8.13	CA	639	White	Black	2.8 / 6.4
D512SYGWA/S530-E2	14.22 (0.5)	● Brilliant Yellow Green	8.13	CA	573	White	Gray	2.8 / 6.4



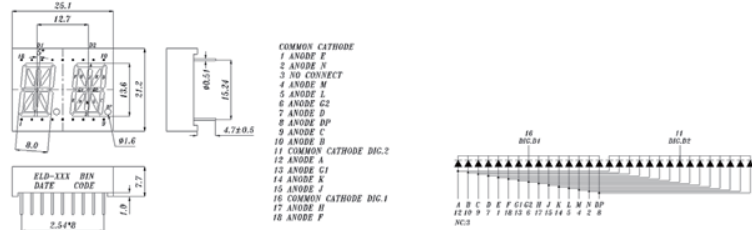
UNIT : mm



Product	Segment Height mm (inch)	Color	Segment Width	CC/CA	λ_d (nm)	Resin Color	Face Color	I_v (Min/Typ) (mcd)
D515SURWA/S530-A3	12.7 (0.5)	● Brilliant Red	7.1	CC	624	White	Gray	7.8 / 15
D516SURWA/S530-A3	12.7 (0.5)	● Brilliant Red	7.1	CA	624	White	Gray	7.8 / 15



UNIT : mm

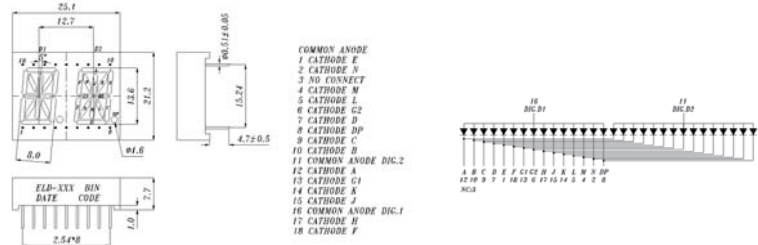


Product	Segment Height mm (inch)	Color	Segment Width	CC/CA	λ_d (nm)	Resin Color	Face Color	I_v (Min/Typ) (mcd)
D525SURWA/S530-A3	13.6 (0.5)	● Brilliant Red	8	CC	624	White	Gray	7.8 / 12.5
D525SYGWA/S530-E2	13.6 (0.5)	● Brilliant Yellow Green	8	CC	573	White	Gray	2.8 / 4.5

LED Digital Displays | Chip On Board Display | Dual Digit Display



UNIT : mm

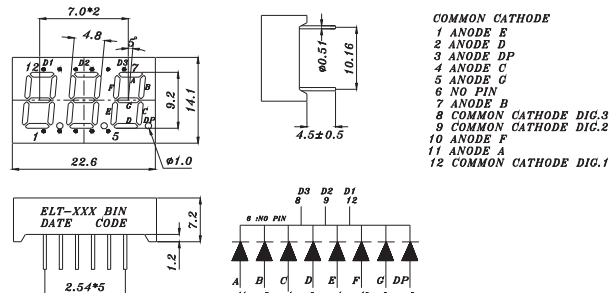


Product	Segment Height mm (inch)	Color	Segment Width	CC/CA	λ_d (nm)	Resin Color	Face Color	I_v (Min/Typ) (mcd)
D526SURWA/S530-A3	13.6 (0.5)	● Brilliant Red	8	CA	624	White	Gray	7.8 / 12.5
D526USOWA/S530-A4	13.6 (0.5)	● Brilliant Red	8	CA	615	White	Gray	5.2 / 12.5

LED Digital Display | Chip On Board Display | Three Digit Display



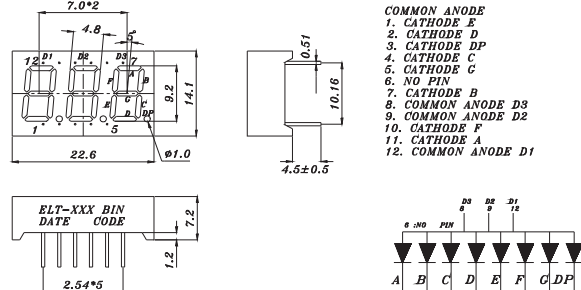
UNIT : mm



Product	Segment Height mm (inch)	Color	Segment Width	CC/CA	λ_d (nm)	Resin Color	Face Color	I_v (Min/Typ) (mcd)
T315SYGWA/S530-E2	9.2 (0.3)	● Brilliant Yellow Green	4.8	CC	573	White	Gray	1.4 / 3.2
T315UYOWA/S530-A3	9.2 (0.3)	● Orange	4.8	CC	605	White	Gray	4.0 / 8.9
T315SURWA/S530-A2	9.2 (0.3)	● Hyper Red	4.8	CC	624	White	Gray	6.8 / 8.5
T315SDRWA/S530-A3	9.2 (0.3)	● Deep-Red	4.8	CC	639	White	Gray	4.0 / 6.4



UNIT : mm

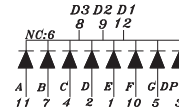
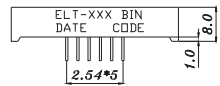
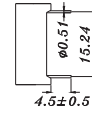
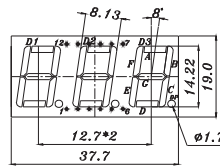


Product	Segment Height mm (inch)	Color	Segment Width	CC/CA	λ_d (nm)	Resin Color	Face Color	I_v (Min/Typ) (mcd)
T316SURWA/S530-A3	9.2 (0.3)	● Brilliant Red	4.8	CA	624	White	Gray	5.6 / 11
T316SYGWA/S530-E2	9.2 (0.3)	● Brilliant Yellow Green	4.8	CA	573	White	Gray	1.4 / 3.2
T316SDRWA/S530-A3	9.2 (0.3)	● Deep-Red	4.8	CA	639	White	Gray	4.0 / 6.4

LED Digital Displays | Chip On Board Display | Three Digit Display



UNIT : mm

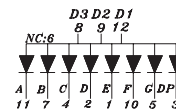
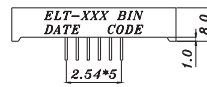
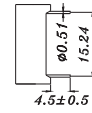
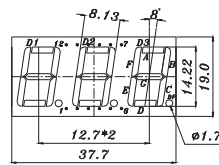


- COMMON CATHODE**
 1 ANODE E
 2 ANODE D
 3 ANODE DP
 4 ANODE C
 5 ANODE G
 6 NO CONNECT
 7 ANODE B
 8 COMMON CATHODE D3
 9 COMMON CATHODE D2
 10 ANODE F
 11 ANODE A
 12 COMMON CATHODE D1

Product	Segment Height mm (inch)	Color	Segment Width	CC/CA	λ_d (nm)	Resin Color	Face Color	I_v (Min/Typ) (mcd)
T511SURWA/S530-A3	14.22 (0.5)	● Brilliant Red	8.13	CC	624	White	Gray	7.8 / 17.6
T511SYGWA/S530-E2	14.22 (0.5)	● Brilliant Yellow Green	8.13	CC	573	White	Gray	2.8 / 4.5
T511UYOWA/S530-A3	14.22 (0.5)	● Brilliant Yellow	8.13	CC	605	White	Gray	5.6 / 12.5
T511SUGWB/S400-A4/S800	14.22 (0.5)	● Brilliant Green	8.13	CC	525	White	Black	30.0 / 67.0



UNIT : mm



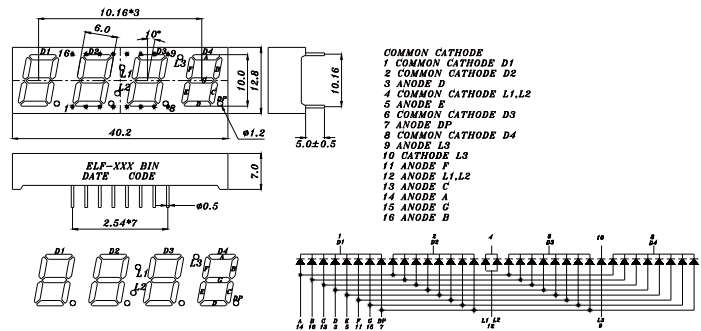
- COMMON ANODE**
 1 CATHODE E
 2 CATHODE D
 3 CATHODE DP
 4 CATHODE C
 5 CATHODE G
 6 NO CONNECT
 7 CATHODE B
 8 COMMON ANODE D3
 9 COMMON ANODE D2
 10 CATHODE F
 11 CATHODE A
 12 COMMON ANODE D1

Product	Segment Height mm (inch)	Color	Segment Width	CC/CA	λ_d (nm)	Resin Color	Face Color	I_v (Min/Typ) (mcd)
T512SURWA/S530-A3	14.22 (0.5)	● Brilliant Red	8.13	CA	624	White	Gray	7.8 / 17.6
T512SYGWA/S530-E2	14.22 (0.5)	● Brilliant Yellow Green	8.13	CA	573	White	Gray	2.8 / 4.5
T512UYOWA/S530-A3	14.22 (0.5)	● Brilliant Yellow	8.13	CA	605	White	Gray	5.6 / 12.5
T512USOWA/S530-A4	14.22 (0.5)	● Reddish Orange	8.13	CA	615	White	Gray	7.8 / 17.6
T512SURWB/S530-A3	14.22 (0.5)	● Brilliant Red	8.13	CA	624	White	Black	7.8 / 17.6
T512SYGWB/S530-E2	14.22 (0.5)	● Brilliant Yellow Green	8.13	CA	573	White	Black	2.8 / 4.5

LED Digital Displays | Chip On Board Display | Four Digit Display



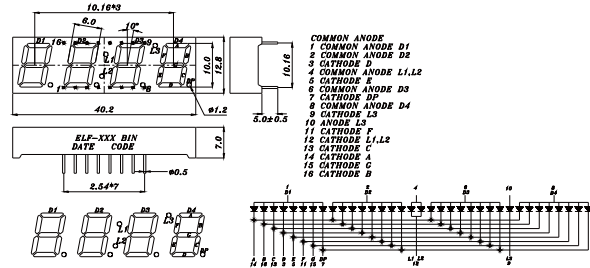
UNIT : mm



Product	Segment Height mm (inch)	Color	Segment Width	CC/CA	λ_d (nm)	Resin Color	Face Color	I_v (Min/Typ) (mcd)
F415SURWA/S530-A3	10 (0.4)	● Brilliant Red	6	CC	624	White	Gray	5.6 / 8.9
F415SURWB/S530-A3	10 (0.4)	● Brilliant Red	6	CC	624	White	Black	5.6 / 8.9



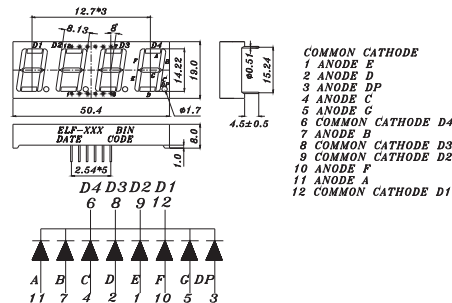
UNIT : mm



Product	Segment Height mm (inch)	Color	Segment Width	CC/CA	λ_d (nm)	Resin Color	Face Color	I_v (Min/Typ) (mcd)
F416SYGWA/S530-E3	10 (0.4)	● Brilliant Yellow Green	6	CA	573	White	Gray	4 / 8.9
F416SURWA/S530-A3	10 (0.4)	● Brilliant Red	6	CA	624	White	Gray	5.6 / 8.9
F416USRWA/S530-A3	10 (0.4)	● Dark-Red	6	CA	631	White	Gray	5.6 / 8.9
F416SURWB/S530-A3	10 (0.4)	● Brilliant Red	6	CA	624	White	Black	5.6 / 8.9



UNIT : mm

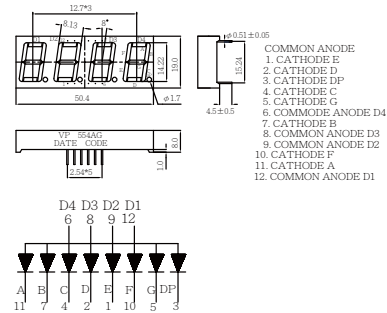


Product	Segment Height mm (inch)	Color	Segment Width	CC/CA	λ_d (nm)	Resin Color	Face Color	I_v (Min/Typ) (mcd)
F511SURWA/S530-A3	14.22 (0.5)	● Brilliant Red	8.13	CC	624	White	Gray	7.8 / 15
F511SYGWA/S530-E2	14.22 (0.5)	● Brilliant Yellow Green	8.13	CC	573	White	Gray	4 / 4.5
F511SURWB/S530-A3	14.22 (0.5)	● Brilliant Red	8.13	CC	624	White	Black	1.4 / 3.0

LED Digital Displays | Chip On Board Display | Four Digit Display

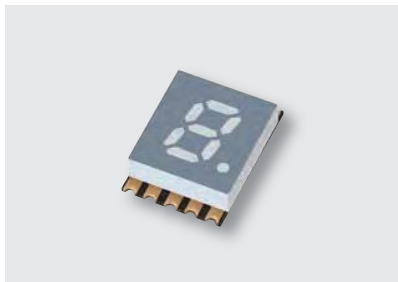


UNIT : mm

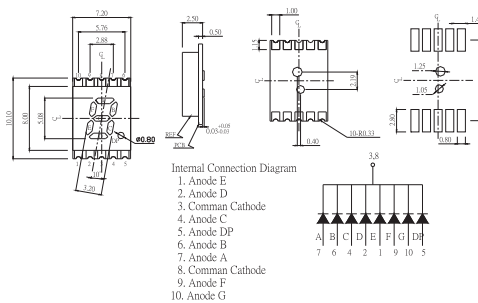


Product	Segment Height mm (inch)	Color	Segment Width	CC/CA	λ_d (nm)	Resin Color	Face Color	I_v (Min/Typ) (mcd)
F512SURWA/S530-A3	14.22 (0.5)	● Brilliant Red	8.13	CA	624	White	Gray	7.8 / 15
F512SYGWA/S530-E2	14.22 (0.5)	● Brilliant Yellow Green	8.13	CA	573	White	Gray	2.8 / 4.5
F512SDRWB/S530-A3	14.22 (0.5)	● Deep-Red	8.13	CA	639	White	Black	5.6 / 12.5

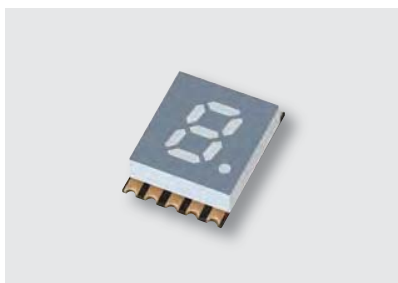
LED Digital Display | SMD Display | Single Digit Display



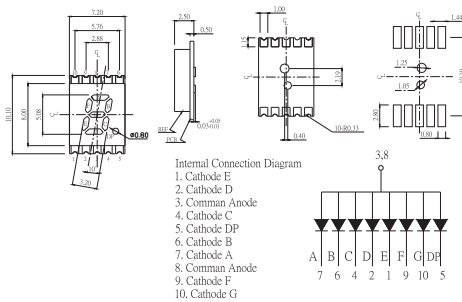
UNIT : mm



Product	Segment Height mm (inch)	Color	Segment Width	CC/CA	λ_d (nm)	Resin Color	Face Color	I_v (Min/Typ) (mcd)
SS205SURWA/S530-A4/S290	5.08 (0.2)	● Brilliant Red	3.2	CC	624	White	Gray	5.6 / 13.7
SS205UYOWA/S530-A3/S290	5.08 (0.2)	● Brilliant Orange	3.2	CC	605	White	Gray	7.8 / 13.3
SS205UYWA/S530-A3/S290	5.08 (0.2)	● Brilliant Yellow	3.2	CC	589	White	Gray	7.8 / 16.3
SS205SYGWA/S530-E2/S290	5.08 (0.2)	● Brilliant Yellow Green	3.2	CC	573	White	Gray	4 / 11.5

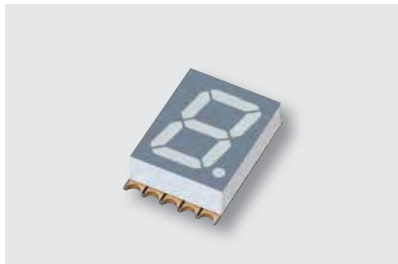


UNIT : mm

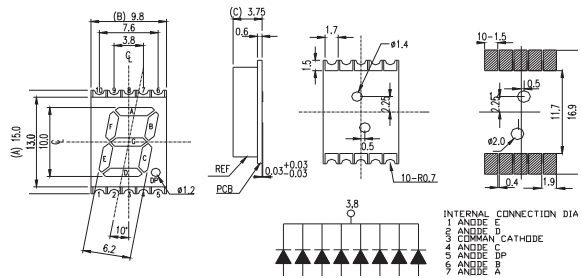


Product	Segment Height mm (inch)	Color	Segment Width	CC/CA	λ_d (nm)	Resin Color	Face Color	I_v (Min/Typ) (mcd)
SS206SURWA/S530-A3/S290	5.08 (0.2)	● Brilliant Red	3.2	CA	624	White	Gray	5.6 / 13.7
SS206UYWA/S530-A3/S290	5.08 (0.2)	● Brilliant Yellow	3.2	CA	589	White	Gray	7.8 / 16.7
SS206SYGWA/S530-E2/S290	5.08 (0.2)	● Brilliant Yellow Green	3.2	CA	573	White	Gray	4.0 / 8.9
SS206USRWA/S530-A3/S290	5.08 (0.2)	● Dark-Red	3.2	CA	631	White	Gray	4.0 / 8.9

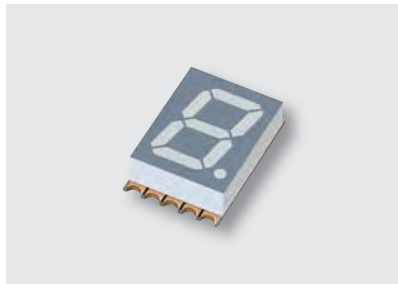
LED Digital Displays | SMD Display | Single Digit Display



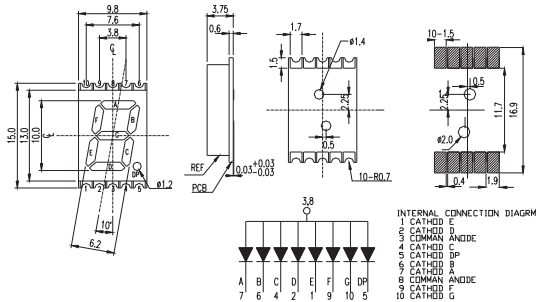
UNIT : mm



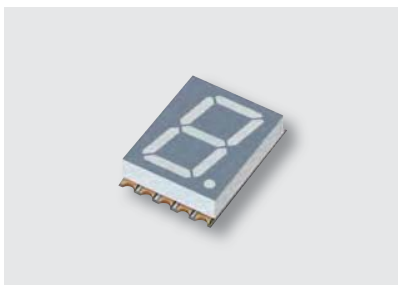
Product	Segment Height mm (inch)	Color	Segment Width	CC/CA	λ_d (nm)	Resin Color	Face Color	I_v (Min/Typ) (mcd)
SS405SYGWA/S530-E2	10 (0.4)	● Brilliant Yellow Green	6.2	CC	573	White	Gray	5.6 / 12.5



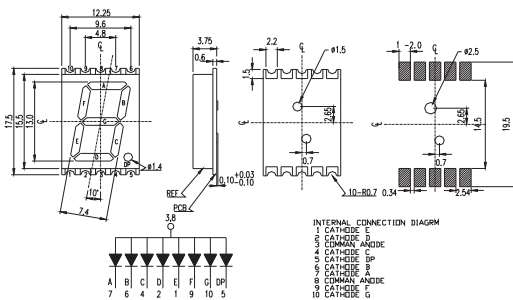
UNIT : mm



Product	Segment Height mm (inch)	Color	Segment Width	CC/CA	λ_d (nm)	Resin Color	Face Color	I_v (Min/Typ) (mcd)
SS406SYGWA/S530-E2	10 (0.4)	● Brilliant Yellow Green	6.2	CA	573	White	Gray	5.6 / 12.5
SS406USRWA/S530-A3/S290	10 (0.4)	● Dark-Red	6.2	CA	631	White	Gray	5.6 / 12.5
SS406UBWA/C470/S290	10 (0.4)	● Blue	6.2	CA	470	White	Gray	15.0 / 40.5
SS406UWWA/S290	10 (0.4)	○ Pure White	6.2	CA	X 0.270 / 0.310 Y 0.222 / 0.343	White	Gray	30.0 / 67.0

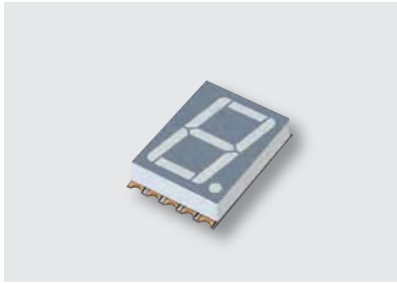


UNIT : mm

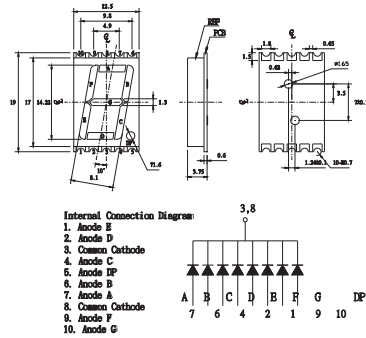


Product	Segment Height mm (inch)	Color	Segment Width	CC/CA	λ_d (nm)	Resin Color	Face Color	I_v (Min/Typ) (mcd)
SS506SYGWA/S530-E2	13.0 (0.5)	● Brilliant Yellow Green	7.4	CA	573	White	Gray	5.6 / 9.1
SS506SURWA/S530-A4/S290	13.0 (0.5)	● Brilliant Red	7.4	CA	624	White	Gray	7.8 / 15.0

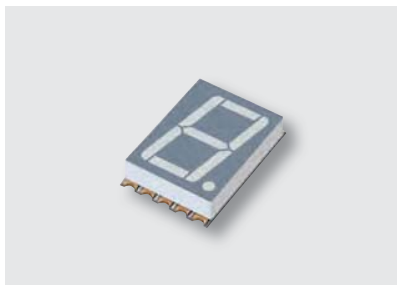
LED Digital Displays | SMD Display | Single Digit Display



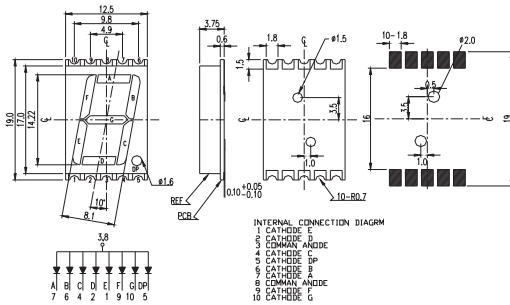
UNIT : mm



Product	Segment Height mm (inch)	Color	Segment Width	CC/CA	λ_d (nm)	Resin Color	Face Color	I_v (Min/Typ) (mcd)
SS511SURWA/S530-A3/S290	14.22 (0.5)	● Brilliant Red	8.1	CC	624	White	Gray	15 / 23
SS511SYGWA/S530-E2/S290	14.22 (0.5)	● Brilliant Yellow Green	8.1	CC	573	White	Gray	4 / 10.8
SS511UBWA/C470	14.22 (0.5)	● Blue	8.1	CC	470	White	Gray	11.0 / 24.0

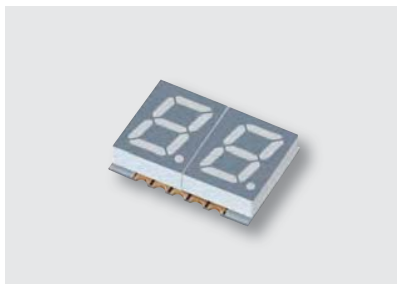


UNIT : mm

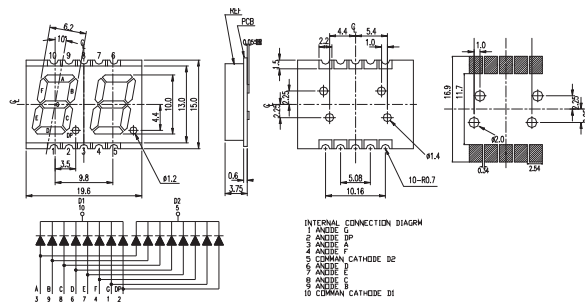


Product	Segment Height mm (inch)	Color	Segment Width	CC/CA	λ_d (nm)	Resin Color	Face Color	I_v (Min/Typ) (mcd)
SS512SURWA/S530-A3/S290	14.22 (0.5)	● Brilliant Red	8.1	CA	624	White	Gray	11 / 21.8
SS512SYGWA/S530-E2	14.22 (0.5)	● Brilliant Yellow Green	8.1	CA	573	White	Gray	4.0 / 8.9

LED Digital Display | SMD Display | Dual Digit Display

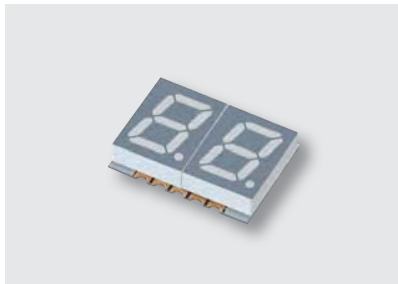


UNIT : mm

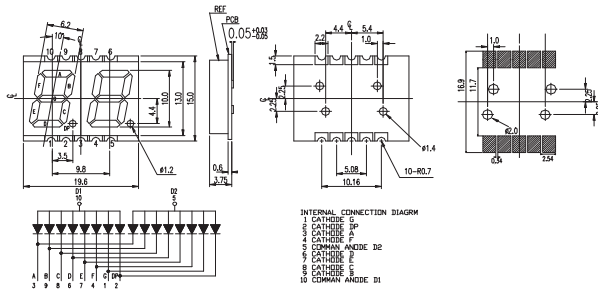


Product	Segment Height mm (inch)	Color	Segment Width	CC/CA	λ_d (nm)	Resin Color	Face Color	I_v (Min/Typ) (mcd)
SD405SURWA/S530-A3/S290	10 (0.4)	● Brilliant Red	6.2	CC	624	White	Gray	7.8 / 17.1
SD405SYGWA/S530-E2	10 (0.4)	● Brilliant Yellow Green	6.2	CC	573	White	Gray	5.6 / 12.5

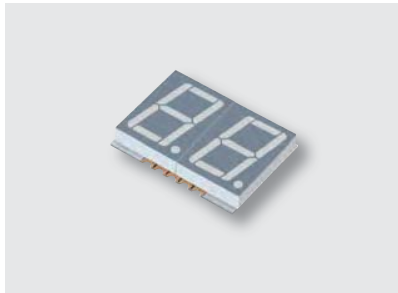
LED Digital Displays | SMD Display | Dual Digit Display



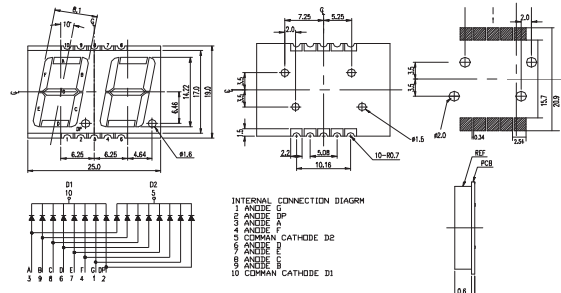
UNIT : mm



Product	Segment Height mm (inch)	Color	Segment Width	CC/CA	λ_d (nm)	Resin Color	Face Color	I_v (Min/Typ) (mcd)
SD406SURWA/S530-A4/S290	10 (0.4)	● Brilliant Red	6.2	CA	624	White	Gray	7.8 / 16.2
SD406SYGWA/S530-E2/S290	10 (0.4)	● Brilliant Yellow Green	6.2	CA	573	White	Gray	5.6 / 10.2



UNIT : mm

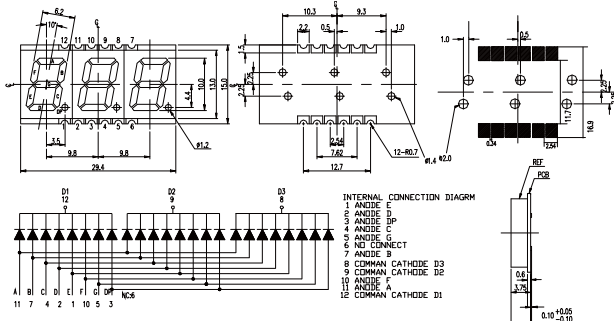


Product	Segment Height mm (inch)	Color	Segment Width	CC/CA	λ_d (nm)	Resin Color	Face Color	I_v (Min/Typ) (mcd)
SD511SYGWA/S530-E2/S290	14.22 (0.5)	● Brilliant Yellow Green	8.1	CC	573	White	Gray	5.6 / 11.12

LED Digital Display | SMD Display | Three Digit Display



UNIT : mm



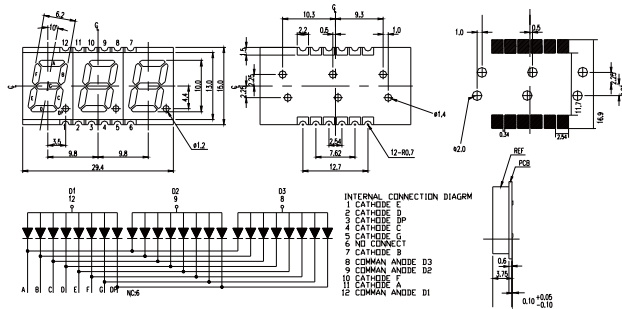
Product	Segment Height mm (inch)	Color	Segment Width	CC/CA	λ_d (nm)	Resin Color	Face Color	I_v (Min/Typ) (mcd)
ST405SURWA/S530-A3/S290	10 (0.4)	● Brilliant Red	6.2	CC	624	White	Gray	7.8 / 16.4
ST405SYGWA/S530-E2	10 (0.4)	● Brilliant Yellow Green	6.2	CC	573	White	Gray	4.0 / 8.9
ST405UYOWA/S530-A3/S290	10 (0.4)	● Brilliant Orange	6.2	CC	605	White	Gray	18.0 / 34.0
ST405SUGWA/S530-A4/S290	10 (0.4)	● Brilliant Green	6.2	CC	525	White	Gray	21.0 / 48.0

LED Digital Displays

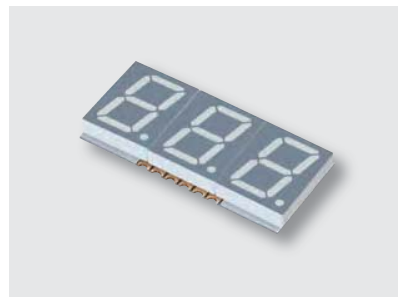
LED Digital Displays | SMD Display | Three Digit Display



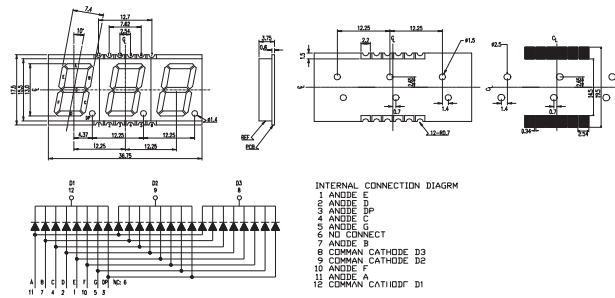
UNIT : mm



Product	Segment Height mm (inch)	Color	Segment Width	CC/CA	λ_d (nm)	Resin Color	Face Color	I_v (Min/Typ) (mcd)
ST406SURWA/S530-A3/S290	10 (0.4)	● Brilliant Red	6.2	CA	624	White	Gray	7.8 / 16.4
ST406SYGWA/S530-E2	10 (0.4)	● Brilliant Yellow Green	6.2	CA	573	White	Gray	4.0 / 8.9



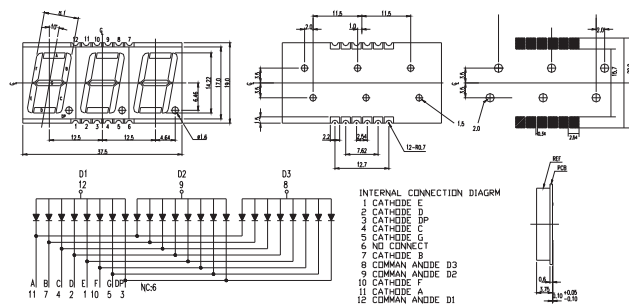
UNIT : mm



Product	Segment Height mm (inch)	Color	Segment Width	CC/CA	λ_d (nm)	Resin Color	Face Color	I_v (Min/Typ) (mcd)
ST505SYGWA/S530-E2/S290	13 (0.5)	● Brilliant Yellow Green	7.4	CC	573	White	Gray	4 / 9.6



UNIT : mm

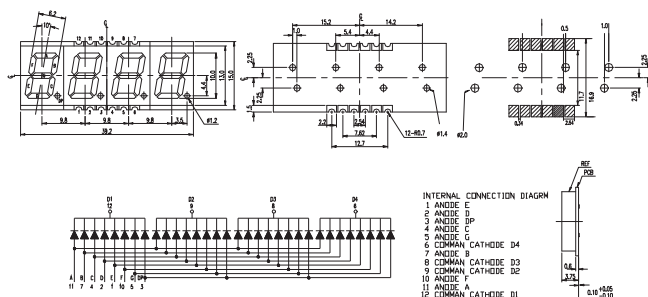


Product	Segment Height mm (inch)	Color	Segment Width	CC/CA	λ_d (nm)	Resin Color	Face Color	I_v (Min/Typ) (mcd)
ST512SURWA/S530-A3/S290	14.22 (0.5)	● Brilliant Red	8.1	CA	624	White	Gray	7.8 / 21.6
ST512SYGWA/S530-E2/S290	14.22 (0.5)	● Brilliant Yellow Green	8.1	CA	573	White	Gray	7.8 / 16.4
ST512UBWA/C470/S290	14.22 (0.5)	● Blue	8.1	CA	470	White	Gray	15.0 / 37.2

LED Digital Displays | SMD Display | Four Digit Display



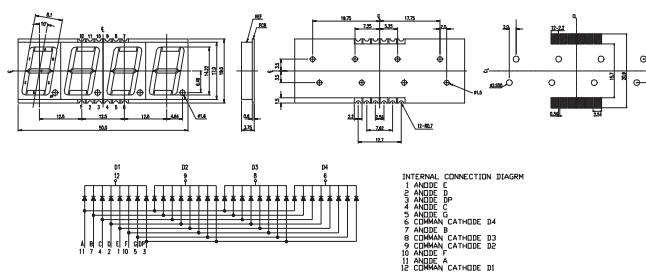
UNIT : mm



Product	Segment Height mm (inch)	Color	Segment Width	CC/CA	λ_d (nm)	Resin Color	Face Color	I_V (Min/Typ) (mcd)
SF405SURWA/S530-A3/S290	10 (0.4)	● Brilliant Red	6.2	CC	624	White	Gray	7.8 / 16.4
SF405UYOWA/A3/S290	10 (0.4)	● Brilliant Orange	6.2	CC	605	White	Gray	11.0 / 24.0



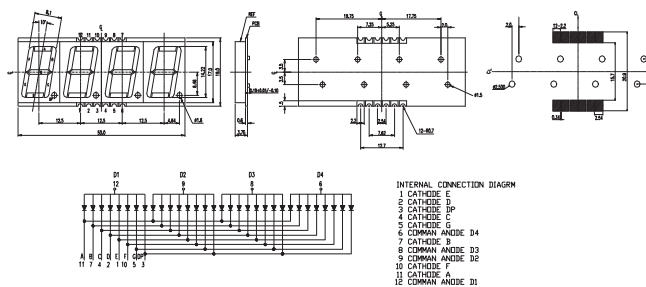
UNIT : mm



Product	Segment Height mm (inch)	Color	Segment Width	CC/CA	λ_d (nm)	Resin Color	Face Color	I_V (Min/Typ) (mcd)
SF511SURWA/S530-A3/S290	14.22 (0.5)	● Brilliant Red	8.1	CC	624	White	Gray	11 / 23.4
SF511SYGWA/S530-E2/S796	14.22 (0.5)	● Brilliant Yellow Green	8.1	CC	573	White	Gray	4 / 8.9



UNIT : mm

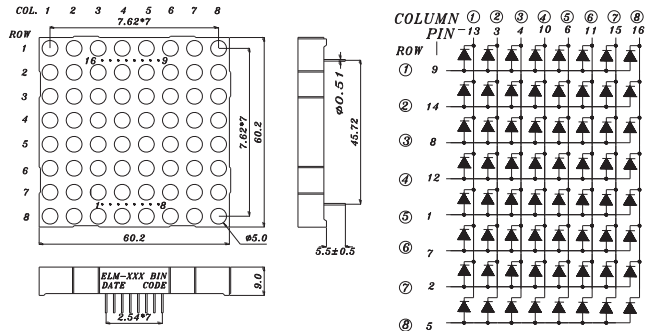


Product	Segment Height mm (inch)	Color	Segment Width	CC/CA	λ_d (nm)	Resin Color	Face Color	I_V (Min/Typ) (mcd)
SF512SURWA/S530-A3/S290	14.22 (0.5)	● Brilliant Red	8.1	CA	624	White	Gray	11 / 27.8

LED Digital Displays | Dot Matrix Display

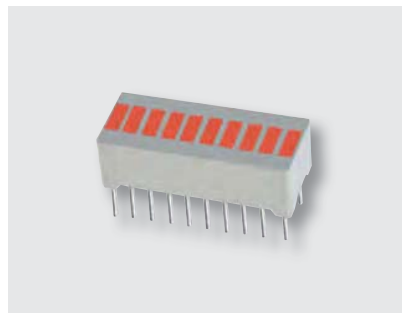


UNIT : mm

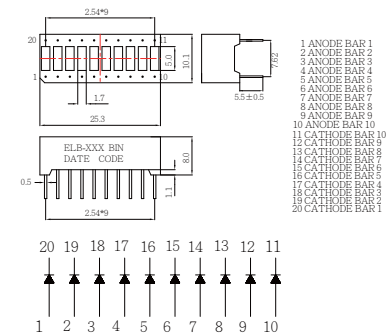


Product	Size (LxWmm)	Color	Segment Width	CC/CA	λ_d (nm)	Resin Color	Face Color	I_v (Min/Typ) (mcd)
M2881SURWA/S530-A3	60.2x60.2	● Brilliant Red	--	CC	624	White	Gray	7.8 / 21
M2881SYGWA/S530-E2	60.2x60.2	● Brilliant Yellow Green	--	CC	573	White	Gray	7.8 / 17.6
M2881UYWA/S530-A3	60.2x60.2	● Brilliant Yellow	--	CC	589	White	Gray	11 / 17.6

LED Digital Displays | Light Bar Display



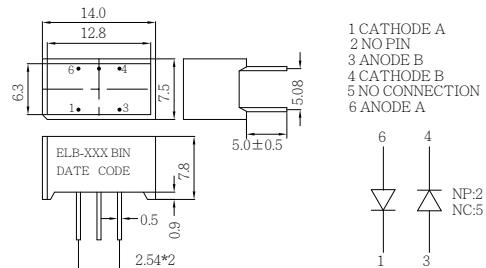
UNIT : mm



Product	Size (LxWmm)	Color	Segment Width	CC/CA	λ_d (nm)	Resin Color	Face Color	I_v (Min/Typ) (mcd)
B1001USOWA/S530-A4	25.3x10.1	● Reddish Orange	--	CC	615	White	Gray	7.8 / 17.6
B1001SYGWA/S530-E2	25.3x10.1	● Brilliant Yellow Green	--	CC	573	White	Gray	2.8 / 4.5



UNIT : mm

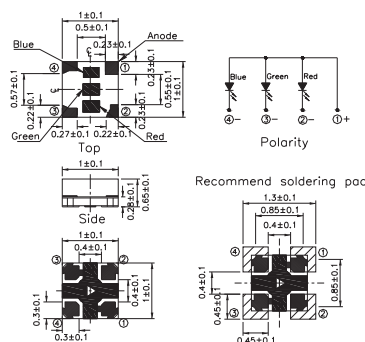


Product	Size (LxWmm)	Color	Segment Width	CC/CA	λ_d (nm)	Resin Color	Face Color	I_v (Min/Typ) (mcd)
B1010SURD/S530-A3	14.0x7.5	● Brilliant Red	--	CA	624	Red	Red	11/24
B1010SYGD/S530-E3	14.0x7.5	● Brilliant Yellow Green	--	CA	573	Green	--	2.8/6.4

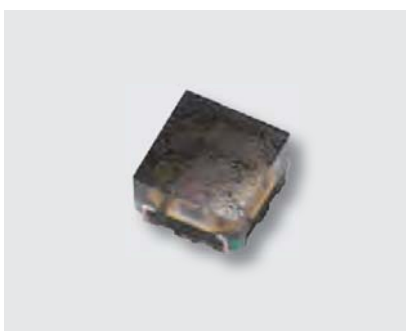
Signage LED | Surface Mount Chip LED (PCB)



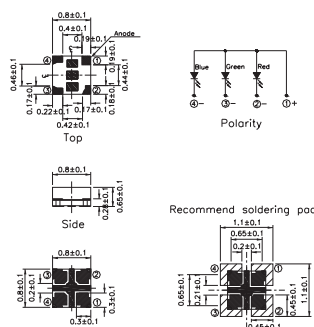
UNIT : mm



Product	Size (LxWxHmm)	Color	λ_d (nm)	Typ. I_v (mcd)	V_F (V)		I_F (mA)	Viewing Angle (°)
					Typ.	Max.		
18-038BT/BDGAR6S1-L40/10T	1.0x1.0x0.65 (4-pin)	Red	619~629	24	2.0	2.4	5	120
		Green	523~528	80	2.9	3.2		
		Blue	463~468	15	2.9	3.2		



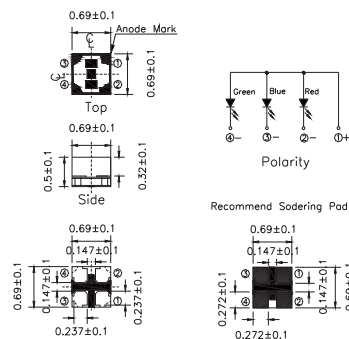
UNIT : mm



Product	Size (LxWxHmm)	Color	λ_d (nm)	Typ. I_v (mcd)	V_F (V)		I_F (mA)	Viewing Angle (°)
					Typ.	Max.		
18-039B/BDR6GAS1-R40/10T	0.8x0.8x0.65 (4-pin)	Red	619~629	15.4	2.0	2.4	3	120
		Green	525~530	80	2.9	3.2		
		Blue	465~470	15	2.9	3.2		

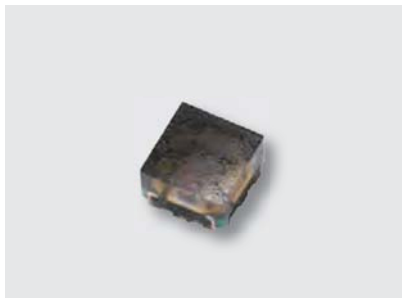


UNIT : mm

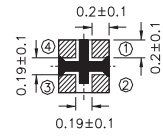
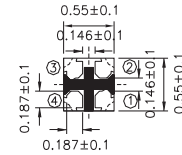
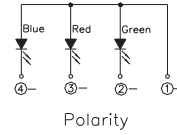
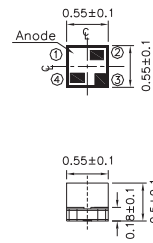


Product	Size (LxWxHmm)	Color	λ_d (nm)	Typ. I_v (mcd)	V_F (V)		I_F (mA)	Viewing Angle (°)
					Typ.	Max.		
18-036BD/BDR6GASY-S01/10T	0.69x0.69x0.5 (4-pin)	Red	616~631	23.4	2.0	2.3	5	120
		Green	515~533	53.4	3.3	3.6		
		Blue	462~477	13.8	3.3	3.6		

Signage LED | Surface Mount Chip LED (PCB)



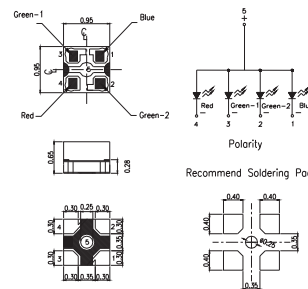
UNIT : mm



Product	Size (LxWxHmm)	Color	λ_d (nm)	Typ. I_v (mcd)	V_F (V)		I_F (mA)	Viewing Angle (°)
					Typ.	Max.		
18-035BD/BDR6GASY-S01/10T	0.55x0.55x0.5 (4-pin)	Red	616~631	19.5	2.0	2.3	5	120
		Green	515~533	60.9	3.3	3.6		
		Blue	462~477	14	3.3	3.6		

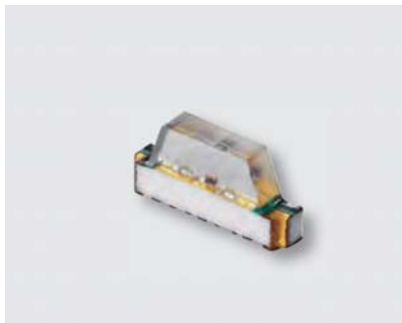


UNIT : mm

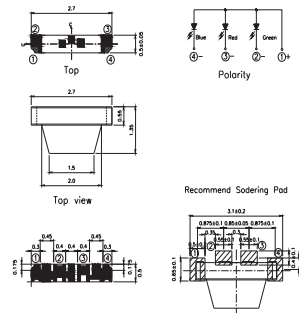


Product	Size (LxWxHmm)	Color	λ_d (nm)	Typ. I_v (mcd)	V_F (V)		I_F (mA)	Viewing Angle (°)
					Typ.	Max.		
19-049/GABDR6GAS1-R40/4T	0.95x0.95x0.65 (4-pin)	Red	619-629	15.4	2.0	2.4	5	120
		Green	525-530	80	2.9	3.2		
		Green	525-530	80	2.9	3.2		
		Blue	465-470	17	2.9	3.2		

For Side View

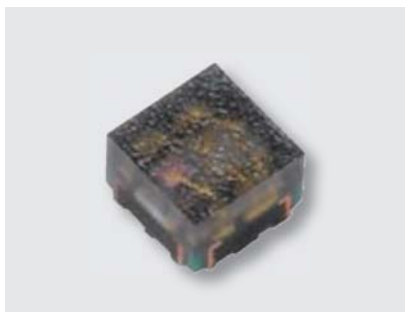


UNIT : mm

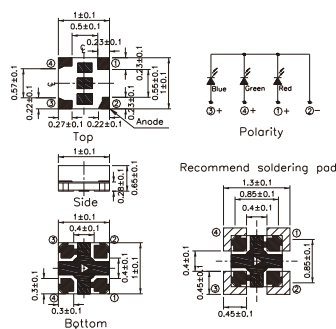


Product	Size (LxWxHmm)	Color	λ_d (nm)	Typ. I_v (mcd)	V_F (V)		I_F (mA)	Viewing Angle (°)
					Typ.	Max.		
22-23C/R6GHBHW-A01/2C	2.7x0.5x0.55 (4-pin)	Red	613~625	90	2.85	2.3	20	120
		Green	515~530	140	2.9	3.7		
		Blue	465~475	72	2.9	3.3		

Signage LED | Surface Mount Chip LED (PCB)
For Common Cathode Product



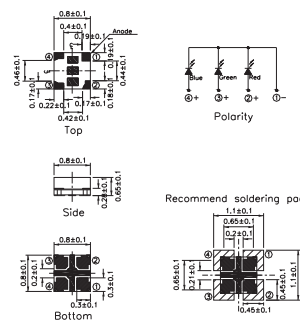
UNIT : mm



Product	Size (LxWxHmm)	Color	λ_d (nm)	Typ. I_v (mcd)	V_F (V)		I_F (mA)	Viewing Angle (°)
					Typ.	Max.		
18-038ABT/BDGAR6S1-L40/10T	1.0x1.0x0.65 (4-pin)	Red	619~629	24	2.0	2.4	5	120
		Green	523~528	80	2.9	3.2		
		Blue	463~468	17	2.9	3.2		



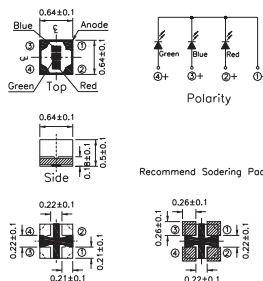
UNIT : mm



Product	Size (LxWxHmm)	Color	λ_d (nm)	Typ. I_v (mcd)	V_F (V)		I_F (mA)	Viewing Angle (°)
					Typ.	Max.		
18-039AB/BDGAR6S1-R40/10T	0.8x0.8x0.65 (4-pin)	Red	619~629	15.4	2.0	2.4	5	120
		Green	525~530	80	2.9	3.2		
		Blue	465~470	17	2.9	3.2		



UNIT : mm

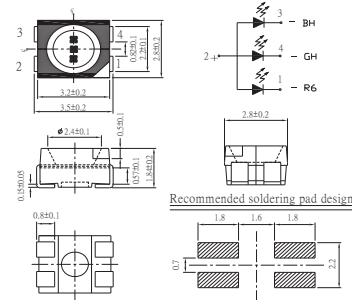


Product	Size (LxWxHmm)	Color	λ_d (nm)	Typ. I_v (mcd)	V_F (V)		I_F (mA)	Viewing Angle (°)
					Typ.	Max.		
18-032ABD/BDGAR6SY-S01/10T	0.64x0.64x0.5 (4-pin)	Red	616~631	23.4	2.0	2.3	5	120
		Green	515~533	64.2	3.3	3.6		
		Blue	462~477	16.5	3.3	3.6		

Signage LED | Surface Mount PLCC LED (Reflector)



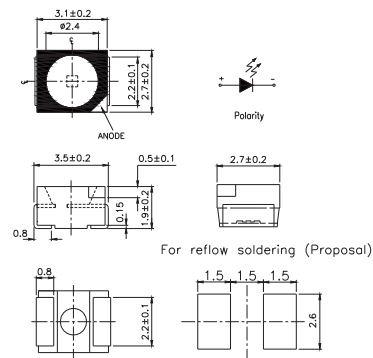
UNIT : mm



Product	Size (LxWxHmm)	Color	λ_d (nm)	Typ. I_v (mcd)	V_F (V)		I_F (mA)	Viewing Angle (°)
					Typ.	Max.		
67-03A/R6GHBHW-A01/2T/MS	3.5x2.8x1.8	● Red	620.5~627.5	226	1.7	2.6	20	120
		● Green	518~533	1000	2.7	3.6		
		● Blue	461.5~471.5	230	2.7	3.6		



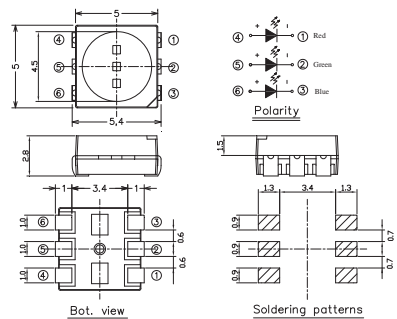
UNIT : mm



Product	Size (LxWxHmm)	Color	λ_d (nm)	Typ. I_v (mcd)	V_F (V)		I_F (mA)	Viewing Angle (°)
					Typ.	Max.		
67-01/Y2W-MV1W1/2T/MS	2.8x3.5x1.9 (2 pin)	● Yellow	585-594	1067.5	2.1	2.4	20	120
		● Red	620-629	1010				



UNIT : mm



Product	Size (LxWxHmm)	Color	λ_d (nm)	Typ. I_v (mcd)	V_F (V)		I_F (mA)	Viewing Angle (°)
					Typ	Max.		
HN0507	5.0x5.0x2.8	● Red	617~629	1020	1.7	2.7	20	120
		● Green	522~537	1760	2.7	3.7		
		● Blue	460~475	385	2.7	3.7		

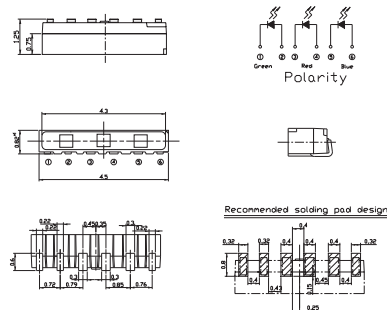
• Product Availability : Please visit EVERLIGHT website for more updated information (www.everlight.com) or contact EVERLIGHT sales for regional options.

Signage LED | Surface Mount PLCC LED (Reflector)

For Side View



UNIT : mm

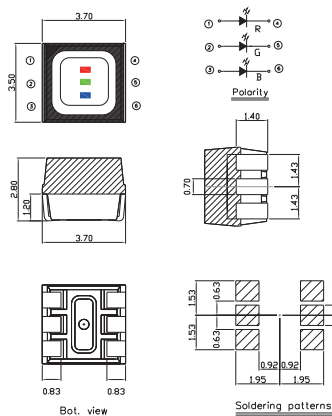


Product	Size (LxWxHmm)	Color	λ_d (nm)	Typ. I_v (mcd)	V_F (V)		I_F (mA)	Viewing Angle (°)
					Typ.	Max.		
99-235/RSGHB7S1-S01/2T	4.5x0.82x1.25 (6-pin)	● Red	619~628	670	2.0	2.5	20	120
		● Green	522~531	1530	3.2	3.7		
		● Blue	463~472	335	3.2	3.7		

For Outdoor



UNIT : mm



Product	Size (LxWxHmm)	Color	λ_d (nm)	Typ. I_v (mcd)	V_F (V)		I_F (mA)	Viewing Angle (°)
					Typ.	Max.		
HNB3535W-OS01	3.5x3.5x2.8 (6-pin)	● Red	615~630	955	2.1	2.6	20	120
		● Green	515~535	2490	3.1	3.5		
		● Blue	460~480	588	3.1	3.5		

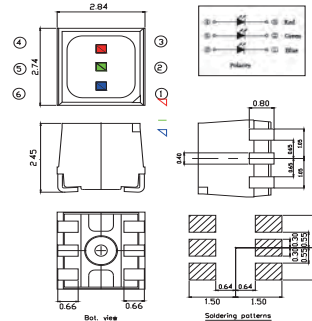
• Product Availability : Please visit EVERLIGHT website for more updated information (www.everlight.com) or contact EVERLIGHT sales for regional options.

Signage LED | Surface Mount PLCC LED (Reflector)

For Outdoor



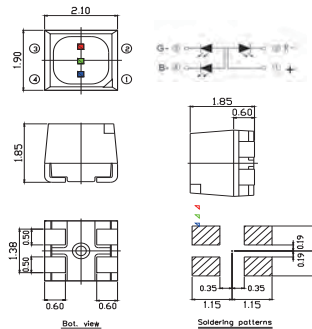
UNIT : mm



Product	Size (LxWxHmm)	Color	λ_d (nm)	Typ. I_v (mcd)	V_F (V)		I_F (mA)	Viewing Angle (°)
					Typ.	Max.		
HNB2727W-OS01	2.7x2.7x2.45 (6-pin)	Red	615~630	865	2.1	2.6	20	120
		Green	515~535	1905	3.1	3.5	15	
		Blue	465~480	295	3.1	3.5	10	



UNIT : mm

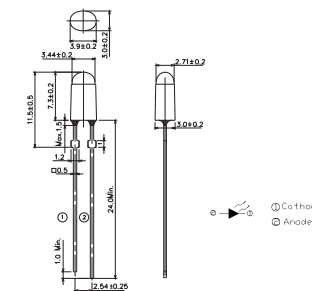


Product	Size (LxWxHmm)	Color	λ_d (nm)	Typ. I_v (mcd)	V_F (V)		I_F (mA)	Viewing Angle (°)
					Typ.	Max.		
HNB1921W-OS01	1.9x2.1x1.85 (4-pin)	Red	615~630	465	2.0	2.4	15	120
		Green	515~535	665	3.0	3.4	8	
		Blue	465~480	125	3.0	3.4	5	

Signage LED | Lamp Type LED | 3mm Oval Type



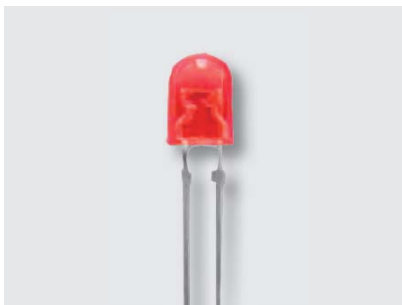
UNIT : mm



Product	Size (LxWxHmm)	Color	Lens Type	λ_d (nm)	Typ. I_v (mcd)	V_F (V)		I_F (mA)	Viewing Angle (°)
						Typ.	Max.		
3474BARR	3.2X4.1X7.5	Red	OVAL	619~629	1035	2.1	2.6	15	110°/60°
3474BAGR	3.2X4.1X7.5	Green	OVAL	520~535	2125	3.0	3.4	10	110°/60°
3474BABR	3.2X4.1X7.5	Blue	OVAL	460~475	420	3.0	3.4	10	110°/60°

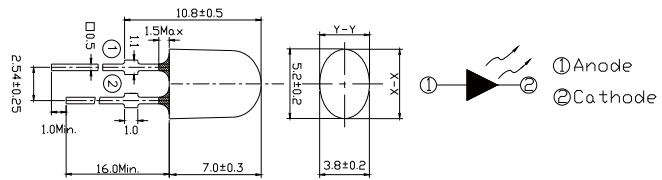
• Product Availability : Please visit EVERLIGHT website for more updated information (www.everlight.com) or contact EVERLIGHT sales for regional options.

Signage LED | Lamp Type LED | 5mm Oval Type



UNIT : mm

(With Stopper)

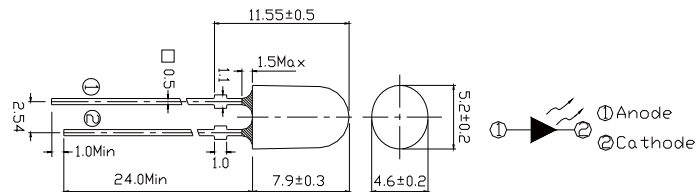


Product	Size (LxWxHmm)	Color	Lens Type	λ_d (nm)	Typ. I_v (mcd)	V_F (V)		I_F (mA)	Viewing Angle (°)
						Typ.	Max.		
5484BN/R7DC-AGJB/P/MS	5.2x3.8x7.0	Red	Oval	619-628	1290	2.2	2.4	20	110 / 40
5484BN/R7DC-AHJB/P/MS	5.2x3.8x7.0	Red	Oval	619-628	1630	2.2	2.4	20	110 / 40
5484BN/GADC-ALMA/P/MS	5.2x3.8x7.0	Green	Oval	525-535	3105	3.2	3.6	20	110 / 40
5484BN/GADC-AMNA/P/MS	5.2x3.8x7.0	Green	Oval	525-535	3925	3.2	3.6	20	110 / 40
5484BN/BADC-AFHA/P/MS	5.2x3.8x7.0	Blue	Oval	465-475	775	3.2	3.6	20	110 / 40
5484BN/BADC-AGJA/P/MS	5.2x3.8x7.0	Blue	Oval	465-475	1085	3.2	3.6	20	110 / 40



UNIT : mm

(With Stopper)



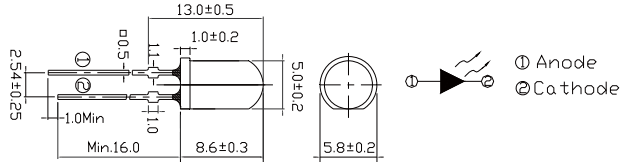
Product	Size (LxWxHmm)	Color	Lens Type	λ_d (nm)	Typ. I_v (mcd)	V_F (V)		I_F (mA)	Viewing Angle (°)
						Typ.	Max.		
6364/GADA-ANQA/P/MS	5.2x4.6x7.9	Green	Oval	525-535	3375	3.2	3.6	20	70 / 40
6364/GADA-AQSA/P/MS	5.2x4.6x7.9	Green	Oval	525-535	5375	3.2	3.6	20	70 / 40
6364/BADA-AHKA/P/MS	5.2x4.6x7.9	Blue	Oval	465-475	1070	3.2	3.6	20	70 / 40
6364/BADA-AKMA/P/MS	5.2x4.6x7.9	Blue	Oval	465-475	1425	3.2	3.6	20	70 / 40
6374/R7DA-AJKB/P/MS	5.2x4.6x7.9	Red	Oval	619-628	2240	2.0	2.6	20	65 / 40
6374/R7DA-AKMB/P/MS	5.2x4.6x7.9	Red	Oval	619-628	1425	2.0	2.6	20	65 / 40
6374/Y7DA-AJKB/P/MS	5.2x4.6x7.9	Yellow	Oval	586-594	2240	2.0	2.6	20	65 / 40
6374/Y7DA-ALNB/P/MS	5.2x4.6x7.9	Yellow	Oval	586-594	2137.5	2.0	2.6	20	65 / 40

Signage LED | Lamp Type LED | 5mm Round Type



UNIT : mm

(With Stopper)

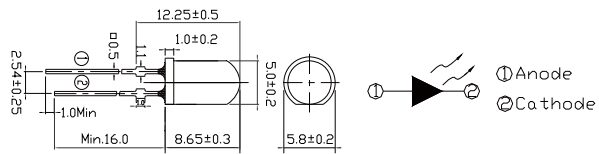


Product	Size (LxWxHmm)	Color	Lens Type	λ_d (nm)	Typ. I_v (mcd)	V_F (V)		I_F (mA)	Viewing Angle (°)
						Typ.	Max.		
333/R7C1-AUWB/P/MS	5.0x5.0x8.6	Red	Clear	619~628	11250	2.0	2.6	20	10
333/Y7C1-ATWB/P/MS	5.0x5.0x8.6	Yellow	Clear	586~594	12575	2.0	2.6	20	15
333/G1C1-AWYA/MS	5.0x5.0x8.6	Green	Clear	525~535	18000	3.2	3.6	20	15
333/B1C1-ARUA/MS	5.0x5.0x8.6	Blue	Clear	465~475	7150	3.2	3.6	20	15



UNIT : mm

(With Stopper)

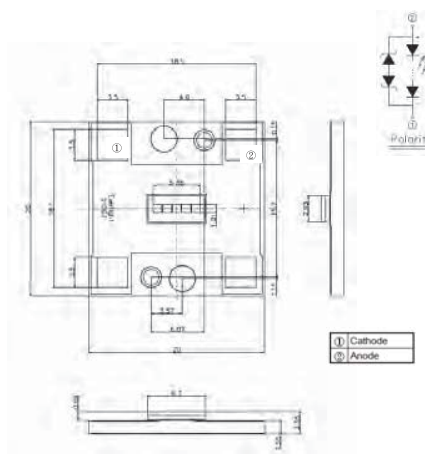


Product	Size (LxWxHmm)	Color	Lens Type	λ_d (nm)	Typ. I_v (mcd)	V_F (V)		I_F (mA)	Viewing Angle (°)
						Typ.	Max.		
7383/R7C3-AQSB/P/MS	5.0x5.0x8.7	Red	Clear	619~628	4000	2.0	2.6	20	30
7383/R7C3-ARUB/P/MS	5.0x5.0x8.7	Red	Clear	619~628	7150	2.0	2.6	20	30
7383/Y7C3-AQSB/P/MS	5.0x5.0x8.7	Yellow	Clear	586~594	4500	2.0	2.6	20	30
7383/Y7C3-ARUB/P/MS	5.0x5.0x8.7	Yellow	Clear	586~594	7150	2.0	2.6	20	30
7383/G1C3-ATVA/P/MS	5.0x5.0x8.7	Green	Clear	525~535	9000	3.2	3.6	20	30
7383/V7C3-ARTA/P/MS	5.0x5.0x8.7	Green	Clear	505	6300	3.2	3.6	20	30
7383/BAC3-ANQA/P/MS	5.0x5.0x8.7	Blue	Clear	465~475	3600	3.2	3.6	20	30
7343/R7D5-AHKB/P/MS	5.0x5.0x8.7	Red	Diffused	619~628	900	2.2	2.6	20	55
7343/GAD5-ANQA/P/MS	5.0x5.0x8.7	Green	Diffused	525~535	2850	3.2	3.6	20	50
7343/BAD5-AGJA/P/MS	5.0x5.0x8.7	Blue	Diffused	465~475	715	3.2	3.6	20	50
7343/R7C2-AQSB/P/MS	5.0x5.0x8.7	Red	Clear	619~628	4500	2.0	2.6	20	25
7343/Y7C2-AQSB/P/MS	5.0x5.0x8.7	Yellow	Clear	586~594	4500	2.0	2.6	20	25
7344/V7C2-ASVA/P/MS	5.0x5.0x8.7	Green	Clear	505	9000	3.2	3.6	20	23

Automotive LED | Exterior Application | High Power LED



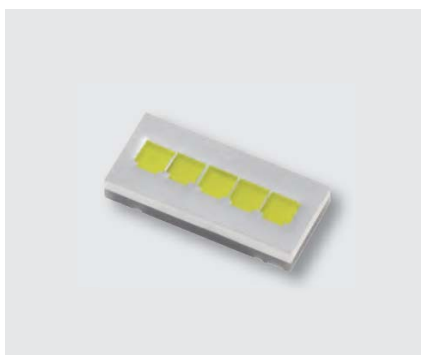
UNIT : mm



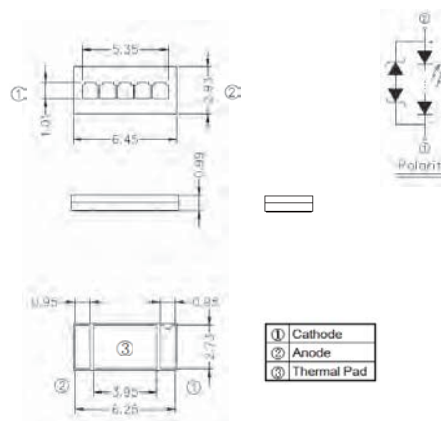
ALFS

Product	Size (LxWxHmm)	Color	CIE(K)	I _v Min. (lm)	I _v Max. (lm)	V _F Min. (V)	V _F Max. (V)	I _F (mA)	Viewing Angle (°)
*ALFSM5A-C710001H1-64D53AQ2Q8-1P-AM	20.0x20.0x2.55	○ White	5180~6680K	1300	1800	14	18	1000	120
*ALFSM4A-C710001H1-64D53AP4P7-1P-AM	20.0x20.0x2.55	○ White	5180~6680K	1000	1500	12	15	1000	120
*ALFSM3A-C710001H1-64D53AN9O7-1P-AM	20.0x20.0x2.55	○ White	5180~6680K	700	1100	9	12	1000	120
*ALFSM2A-C710001H1-64D53AL7M7-1P-AM	20.0x20.0x2.55	○ White	5180~6680K	450	700	6.3	7.5	1000	120

Star Mark*: Preliminary Product Availability; Please visit EVERLIGHT website for more updated information (www.everlight.com) or contact EVERLIGHT sales for regional options.



UNIT : mm



ALFS

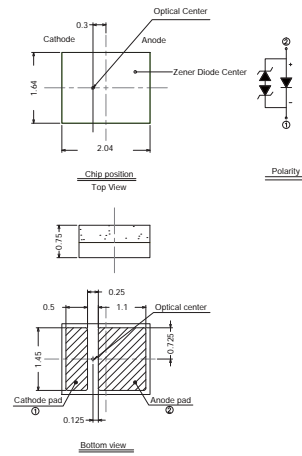
Product	Size (LxWxHmm)	Color	CIE(K)	I _v Min. (lm)	I _v Max. (lm)	V _F Min. (V)	V _F Max. (V)	I _F (mA)	Viewing Angle (°)
*ALFS5A-C710001H1-64D53AQ2Q8-2T-AM	5.35x2.93x0.99	○ White	5180~6680K	1300	1800	14	18	1000	120
*ALFS4A-C710001H1-64D53AP4P7-2T-AM	4.27x2.93x0.99	○ White	5180~6680K	1100	1500	12	15	1000	120
*ALFS3A-C710001H1-64D53AN9O7-2T-AM	3.18x2.93x0.99	○ White	5180~6680K	700	1100	9	12	1000	120
*ALFS2A-C710001H1-64D53AL7M7-2T-AM	3.70x2.93x0.99	○ White	5180~6680K	450	700	6.3	7.5	1000	120

Star Mark*: Preliminary Product Availability; Please visit EVERLIGHT website for more updated information (www.everlight.com) or contact EVERLIGHT sales for regional options.

Automotive LED | Exterior Application | High Power LED



UNIT : mm

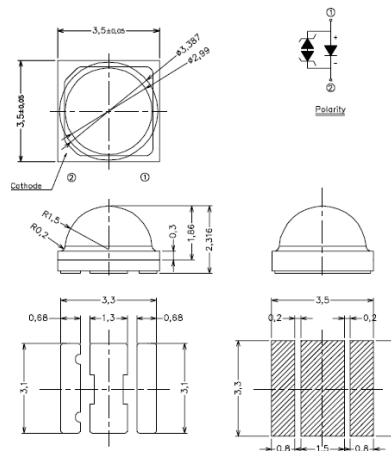


EL Compact 2016

Product	Size (LxWxHmm)	Color	λ_d (nm)/ CIE(K)	I_v Min. (lm)	I_v Max. (lm)	V_F Min. (V)	V_F Max. (V)	I_F (mA)	Viewing Angle (°)
CH2016-C07001H-53A64DJ6K23037-2T-AM	2.04x1.64x0.75	○ White	5180~6680K	150	275	3.0	3.75	700	120
CH2016-UR7001H-1426F6J32133-2T-AM	2.04x1.64x0.75	● Red	615-627nm	60	120	2.25	3.0	700	130
CH2016-PA7001H-YAYBJ1J72941-2T-AM	2.04x1.64x0.75	● PC-Amber	Y1	100	180	3.0	3.75	700	130



UNIT : mm



EL 3535E

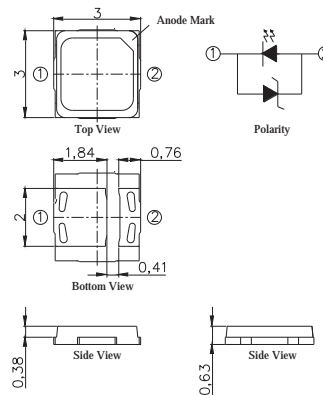
Product	Size (LxWxHmm)	Color	λ_d (nm)/ CIE(K)	I_v Min. (lm)	I_v Max. (lm)	V_F Min. (V)	V_F Max. (V)	I_F (mA)	Viewing Angle (°)
*CH3535E-C03501H-53A64DF9J43040-2T-AM	3.5x3.3x2.316	○ White	5180~6680K	90	140	3.0	4.0	350	120
*CH3535E-UR3501H-1020F6F71925-2T-AM	3.5x3.3x2.316	● Red	610~620nm	60	80	1.9	2.5	350	120
*CH3535E-PA3501H-YAYBF6F82535-2T-AM	3.5x3.3x2.316	● PC-Amber	YA,YB	60	90	2.5	3.5	350	120

Star Mark*: Preliminary Product Availability; Please visit EVERLIGHT website for more updated information (www.everlight.com) or contact EVERLIGHT sales for regional options.

Automotive LED | Exterior Application | High Power LED



UNIT : mm



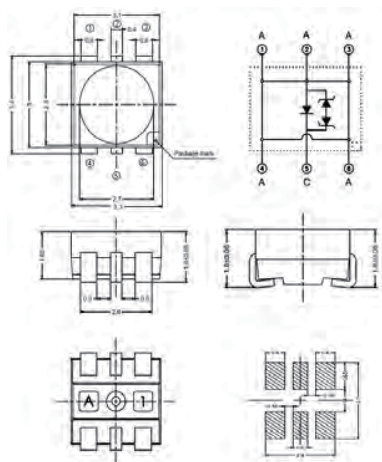
EL 3030E

Product	Size (LxWxHmm)	Color	λ_d (nm)/ CIE(K)	I_v Min. (lm)	I_v Max. (lm)	V_F Min. (V)	V_F Max. (V)	I_F (mA)	Viewing Angle (°)
XI3030-C03501H-53A64DJ1J62535-2T-AM	3.0x3.0x0.63	○ White	5180~6680K	100	160	2.5	3.5	350	115
XI3030-UR3501H-0621F4F81730-2T-AM	3.0x3.0x0.63	● Red	614-626nm	45	80	1.75	3.0	350	120
XI3030-PA3501H-YAYBF5F92535-2T-AM	3.0x3.0x0.63	● PC-Amber	YA,YB	52	100	2.5	3.5	350	115

Automotive | Exterior Application | Mid Power LED



UNIT : mm



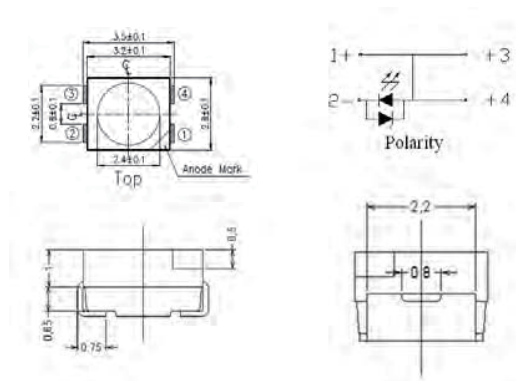
EL Advanced Power Top View

Product	Size (LxWxHmm)	Color	λ_d (nm)/ CIE(K)	I_v Min. (mcd)	I_v Max. (mcd)	V_F Min. (V)	V_F Max. (V)	I_F (mA)	Viewing Angle (°)
A09K-C71501H-53A64DEAFA2737-1T-AM	3.4x3.3x1.8	○ White	5180~6680K	7100	14000	2.75	3.75	150	120
A09K-UR1501H-0921DAEA1727-1T-AM	3.4x3.3x1.8	● Red	609~621nm	4500	9000	1.75	2.75	150	120
A09K-SR1501H-2439CADB1727-1T-AM	3.4x3.3x1.8	● Super Red	624~639nm	2800	7100	1.75	2.75	150	120
A09K-UY1501H-8294CBDB1727-1T-AM	3.4x3.3x1.8	● Yellow	582~594nm	3550	7100	1.75	2.75	150	120
A09K-PA1501H-YAYBDBEB2737-1T-AM	3.4x3.3x1.8	● PC-Amber	X 0.57,Y 0.42	5600	11200	2.75	3.75	150	120

Automotive LED | Exterior Application | Low Power LED



UNIT : mm



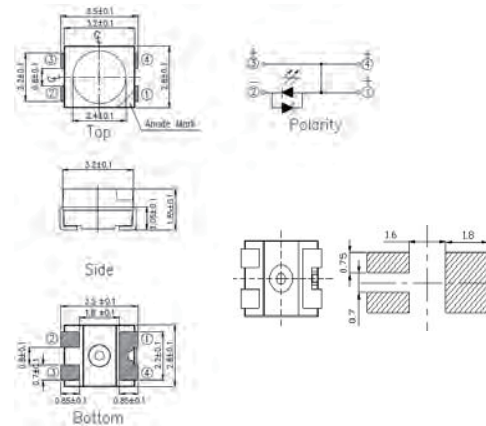
EL Power Top View PLCC-4

Product	Size (LxWxHmm)	Color	λ_d (nm)/ CIE(K)	I_v Min. (mcd)	I_v Max. (mcd)	V_F Min. (V)	V_F Max. (V)	I_F (mA)	Viewing Angle (°)
67-41-C70301H-53A64DBBCB2737-2T-AM	3.5x2.8x1.85	○ White	5180~6680K	2240	4500	2.75	3.75	30	120
67-41-UR0501H-1224BACA1727-2T-AM	3.5x2.8x1.85	● Red	612~624nm	1800	3550	1.75	2.75	50	120
67-41-SR0501H-2436AAAB1727-2T-AM	3.5x2.8x1.85	● Super Red	624~636nm	1120	1800	1.75	2.75	50	120
67-41-UY0501H-8594ABBB1727-2T-AM	3.5x2.8x1.85	● Yellow	585~594nm	1400	2800	1.75	2.75	50	120

Star Mark*: Preliminary Product Availability; Please visit EVERLIGHT website for more updated information (www.everlight.com) or contact EVERLIGHT sales for regional options.



UNIT : mm



EL Power Top View PLCC-3

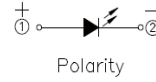
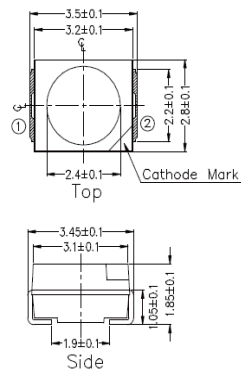
Product	Size (LxWxHmm)	Color	λ_d (nm)/ CIE(K)	I_v Min. (mcd)	I_v Max. (mcd)	V_F Min. (V)	V_F Max. (V)	I_F (mA)	Viewing Angle (°)
67-31-C70301H-53A64DBBCB2737-2T-AM	3.5x2.8x1.85	○ White	5180~6680K	2240	4500	2.75	3.75	30	120
67-31-UR0501H-1224BACA1727-2T-AM	3.5x2.8x1.85	● Red	612~624nm	1800	3550	1.75	2.75	50	120
67-31-UY0501H-8594ABBB1727-2T-AM	3.5x2.8x1.85	● Yellow	585~594nm	1400	2800	1.75	2.75	50	120

Automotive LED | Exterior Application | Low Power LED

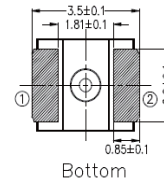


EL Top View

UNIT : mm

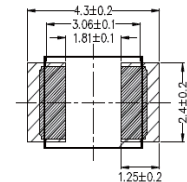


Polarity



Bottom

Recommended solder pad

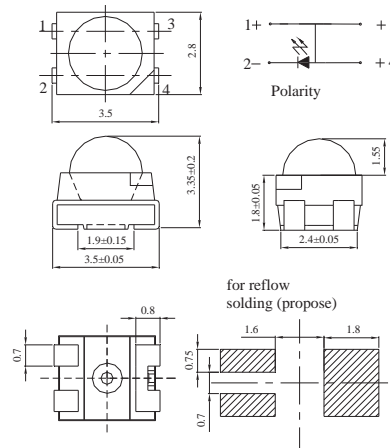


Product	Size (LxWxHmm)	Color	λ_d (nm)/CIE(K)	I_v Min. (mcd)	I_v Max. (mcd)	V_F Min. (V)	V_F Max. (V)	I_F (mA)	Viewing Angle (°)
67-11-C70201H-PM0FK0ABCA2737-2T-AM	3.5x2.8x1.85	○ White	X=0.227~0.365 Y=0.205~0.408	1120	2800	2.75	3.75	20	120
67-21-UR0201H-1224V1AA1727-2T-AM	3.5x2.8x1.85	● Red	612~624nm	710	1400	1.75	2.75	20	120
67-21-UY0201H-8594V1AA1727-2T-AM	3.5x2.8x1.85	● Yellow	585~594nm	710	1400	1.75	2.75	20	120



EL Top View Lens 60°

UNIT : mm

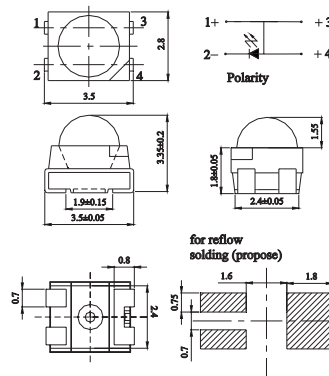


Product	Size (LxWxHmm)	Color	λ_d (nm)	I_v Min. (mcd)	I_v Max. (mcd)	V_F Min. (V)	V_F Max. (V)	I_F (mA)	Viewing Angle (°)
67-31EP6-UR0500H-1224CBEB1727-BT-AM	3.5x2.8x3.35	● Red	612~624nm	3550	11200	1.75	2.75	50	60
67-31EP6-UY0500H-8294CAEA1727-BT-AM	3.5x2.8x3.35	● Yellow	582~594nm	2800	9000	1.75	2.75	50	60

Automotive LED | Exterior Application | Low Power LED



UNIT : mm



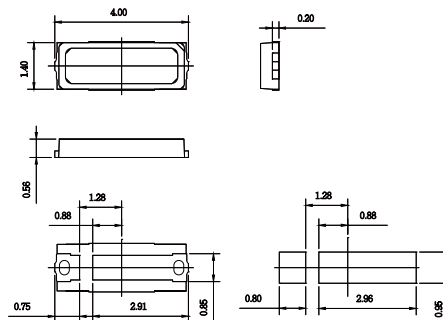
EL Top View Lens 30°

Product	Size (LxWxHmm)	Color	λ_d (nm)	I_v Min. (mcd)	I_v Max. (mcd)	V_F Min. (V)	V_F Max. (V)	I_F (mA)	Viewing Angle (°)
67-31EP3-UR0500H-1224DBFB1727-BT-AM	3.5x2.8x3.35	● Red	612~624nm	5600	18000	1.75	2.75	50	30
67-31EP3-UY0500H-8294DBFB1727-BT-AM	3.5x2.8x3.35	● Yellow	582~594nm	5600	18000	1.75	2.75	50	30

Automotive LED | Interior Application | Low Power LED



UNIT : mm



EL Top View 4014

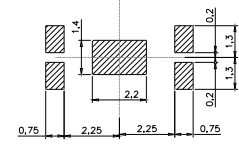
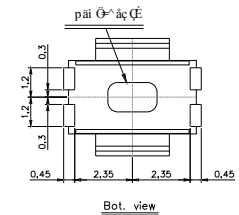
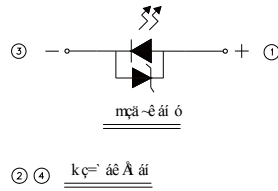
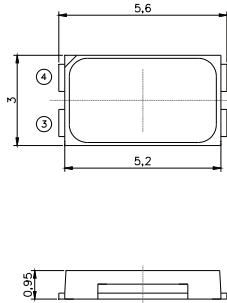
Product	Size (LxWxHmm)	Color	CIE(K)	I_v Min. (lm)	I_v Max. (lm)	V_F Min. (V)	V_F Max. (V)	I_F (mA)	Viewing Angle (°)
*50-315Z-C80600L-C3Q6A6C42735-2T-AM	4.0x1.4x0.63	○ White	X: 0.293 Y: 0.269	16	36	2.7	3.5	60	120

Star Mark*: Preliminary Product Availability; Please visit EVERLIGHT website for more updated information (www.everlight.com) or contact EVERLIGHT sales for regional options.

Automotive LED | Interior Application | Low Power LED



UNIT : mm

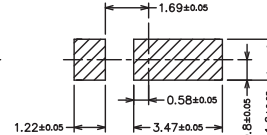
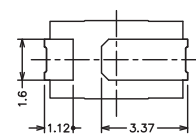
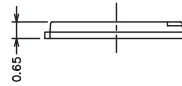
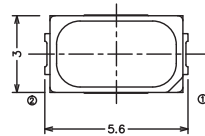


EL 5630B

Product	Size (LxWxHmm)	Color	CIE(K)	I _v Min. (lm)	I _v Max. (lm)	V _F Min. (V)	V _F Max. (V)	I _F (mA)	Viewing Angle (°)
62-117B-N81000L-38A46DB7E02735-2T-AM	5.6x3.0x0.95	○White	4000~4500K	27	55	2.75	3.5	100	120
62-117B-W81000L-25A36DB7E02735-2T-AM	5.6x3.0x0.95	○White	2700~3500K	27	55	2.75	3.5	100	120
62-117B-C81000L-48A68DB7E02735-2T-AM	5.6x3.0x0.95	○White	5000~6500K	27	55	2.75	3.5	100	120



UNIT : mm



EL 5630D

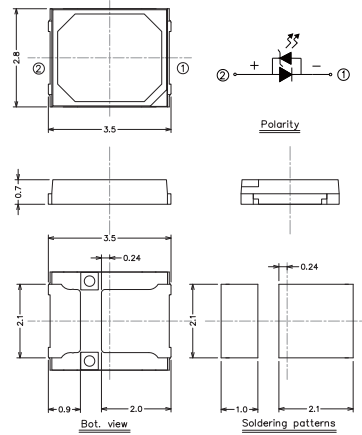
Product	Size (LxWxHmm)	Color	CIE(K)	I _v Min. (lm)	I _v Max. (lm)	V _F Min. (V)	V _F Max. (V)	I _F (mA)	Viewing Angle (°)
*62-117D-W80650H-25A36DB4C52535-2T-AM	5.6x3.0x0.65	○White	2700~3500K	24	40	2.5	3.5	65	120
*62-117D-N80650H-38A46DB4C52535-2T-AM	5.6x3.0x0.65	○White	4000~4500K	24	40	2.5	3.5	65	120
*62-117D-C80650H-48A68DB4C52535-2T-AM	5.6x3.0x0.65	○White	5000~6500K	24	40	2.5	3.5	65	120

Star Mark*: Preliminary Product Availability; Please visit EVERLIGHT website for more updated information (www.everlight.com) or contact EVERLIGHT sales for regional options.

Automotive LED | Interior Application | Low Power LED



UNIT : mm

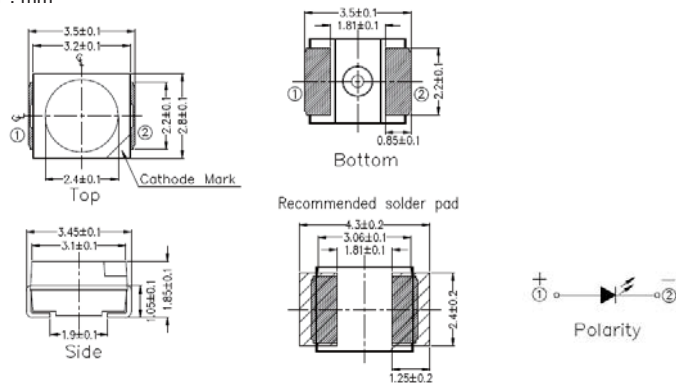


EL 2835

Product	Size (LxWxHmm)	Color	CIE(K)	I _v Min. (mcd)	I _v Max. (mcd)	V _F Min. (V)	V _F Max. (V)	I _F (mA)	Viewing Angle (°)
67-11S-N80600L-38A46DA2C02735-2T-AM	2.8x3.5x0.7	○ White	4000~4500K	12	35	2.75	3.5	60	120
67-11S-C80600L-48A68DA2C02735-2T-AM	2.8x3.5x0.7	○ White	5000~6500K	12	35	2.75	3.5	60	120
67-11S-W80600L-25A36DA2C02735-2T-AM	2.8x3.5x0.7	○ White	2700~3500K	12	35	2.75	3.5	60	120



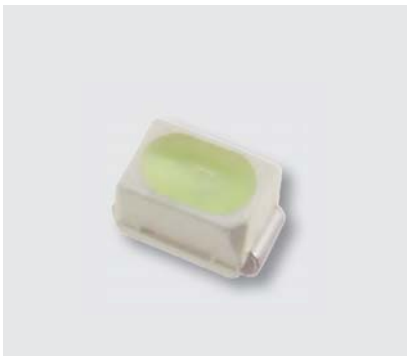
UNIT : mm



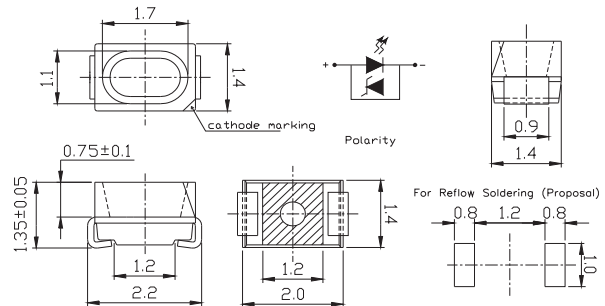
EL Top View

Product	Size (LxWxHmm)	Color	λ _d (nm)/ CCT(K)	I _v Min. (mcd)	I _v Max. (mcd)	V _F Min. (V)	V _F Max. (V)	I _F (mA)	Viewing Angle (°)
67-11-C70200H-PM0FK0ABCA2737-2T-AM	3.5x2.8x1.85	○ White	X=0.227~0.365 Y=0.205~0.408	1400	3550	2.75	3.75	20	120
67-11-IB0100L-CM5CA0S2U22737-2T-AM	3.5x2.8x1.85	○ Ice Blue	X=0.132~0.245 Y=0.117~0.360	224	710	2.75	3.75	10	120
67-11-SB0100L-JA16JA5S2U12737-2T-AM	3.5x2.8x1.85	● Sky Blue	X=0.143~0.180 Y=0.055~0.109	224	560	2.75	3.75	10	120
67-11-UB0200H-6375S2U12737-2T-AM	3.5x2.8x1.85	● Blue	463~475nm	224	560	2.75	3.75	20	120
67-11-UG0200H-2035V1AA2737-2T-AM	3.5x2.8x1.85	● Green	520~535nm	710	1400	2.75	3.75	20	120
67-21-UR0200H-1827V1AA1727-2T-AM	3.5x2.8x1.85	● Red	618~627nm	710	1400	1.75	2.75	20	120
67-21-UR0200L-1830R2T21727-2T-AM	3.5x2.8x1.85	● Red	618~630nm	140	450	1.75	2.75	20	120
67-21-UY0200H-8594V1AA1727-2T-AM	3.5x2.8x1.85	● Yellow	585~594nm	710	1400	1.75	2.75	20	120
67-21-UY0200L-8294R2T21727-2T-AM	3.5x2.8x1.85	● Yellow	582~594nm	140	450	1.75	2.75	20	120

Automotive LED | Interior Application | Low Power LED



UNIT : mm



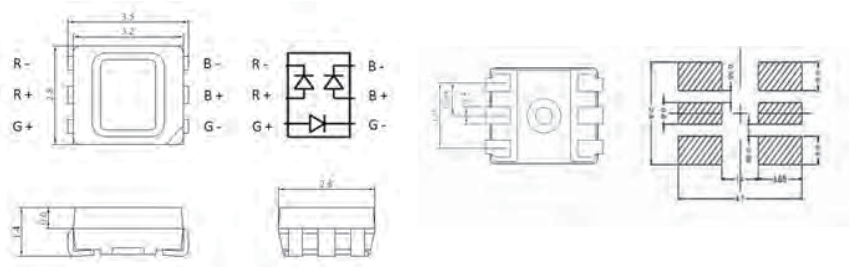
EL Mini Top View

Product	Size (LxWxHmm)	Color	λ_d (nm)/ CIE(K)	I_v Min. (mcd)	I_v Max. (mcd)	V_f Min. (V)	V_f Max. (V)	I_f (mA)	Viewing Angle (°)
65-11-C70200H-PM0FK0ABCA2737-2T-AM	2.2x1.4x1.35	○ White	X=0.227~0.365 Y=0.205~0.408	1400	3550	2.75	3.75	20	120
65-11-IB0100L-CM5CA0S2U22737-2T-AM	2.2x1.4x1.35	○ Ice Blue	X=0.132~0.245 Y=0.117~0.360	224	710	2.75	3.75	10	120
65-11-SB0100L-JA16JA5S2U12737-2T-AM	2.2x1.4x1.35	● Sky Blue	X=0.143~0.180 Y=0.055~0.109	224	560	2.75	3.75	10	120
65-11-UB0200L-6375S2U12737-2T-AM	2.2x1.4x1.35	● Blue	463~475nm	224	560	2.75	3.75	20	120
65-11-UG0200H-2035V1AA2737-2T-AM	2.2x1.4x1.35	● Green	520~535nm	710	1400	2.75	3.75	20	120
65-21-UR0200H-1827V1AA1727-2T-AM	2.2x1.4x1.35	● Red	618~627nm	710	1400	1.75	2.75	20	120
65-21-UY0200H-8594V1AA1727-2T-AM	2.2x1.4x1.35	● Yellow	585~594nm	710	1400	1.75	2.75	20	120

Automotive LED | Interior Application | Low Power LED



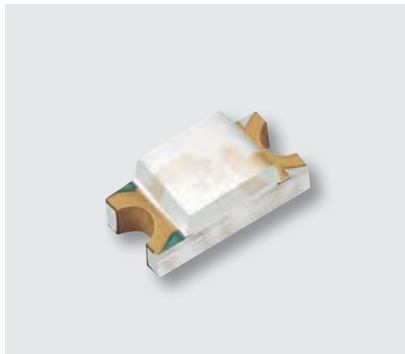
UNIT : mm



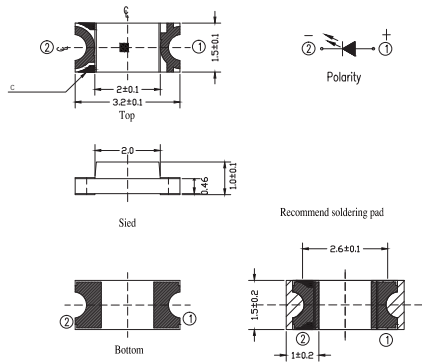
EL Top View RGB

Product	Size (LxWxHmm)	Color	λ_d (nm)	I_v Min. (mcd)	I_v Max. (mcd)	V_F Min. (V)	V_F Max. (V)	I_F (mA)	Viewing Angle (°)
67-63-RGB0201H-A00-2T-AM	3.5x2.8x1.4	<ul style="list-style-type: none"> ● Red ● Green ● Blue 	621~636nm 520~535nm 447~471nm	560	1120	1.75	2.75	20	120

Star Mark*: Preliminary Product Availability; Please visit EVERLIGHT website for more updated information (www.everlight.com) or contact EVERLIGHT sales for regional options.



UNIT : mm



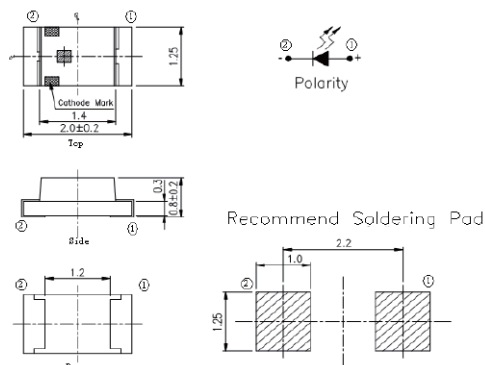
1206

Product	Size (LxWxHmm)	Color	λ_d (nm)	I_v Min. (mcd)	I_v Max. (mcd)	V_F Min.(V)	V_F Max. (V)	I_F (mA)	Viewing Angle (°)
15-21-G6C-A0N1P2B0E-2T-AM	3.2x1.5x1.0	● Yellow Green	569.5~577.5nm	28	71	1.75	2.35	20	130
15-21-R6C-B0Q1R2B0E-2T8-AM	3.2x1.5x1.0	● Red	617.5~629.5nm	71	180	1.75	2.35	20	130
15-21-Y2SC-A0S1T1B25E-2T-AM	3.2x1.5x1.0	● Yellow	585.5~594.5nm	180	355	1.7	2.4	20	130

Automotive LED | Interior Application | Low Power LED



UNIT : mm

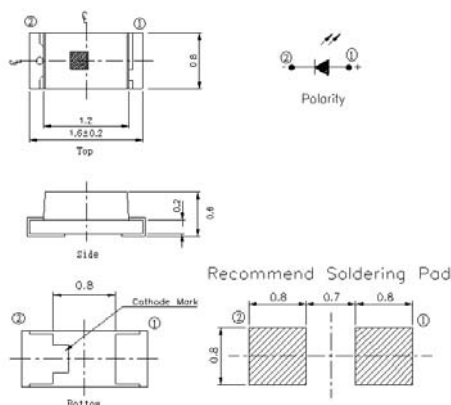


0805

Product	Size (LxWxHmm)	Color	λ_d (nm)	I_V Min. (mcd)	I_V Max. (mcd)	V_F Min. (V)	V_F Max. (V)	I_F (mA)	Viewing Angle (°)
17-215-G6C-F5M1N2B0E-3T-AM	2.0x1.25x0.8	● Yellow Green	568~574nm	18	45	1.75	2.35	20	130
17-215-R6C-A0Q2R2B0E-3T-AM	2.0x1.25x0.8	● Red	617.5~633.5nm	90	180	1.75	2.35	20	130
17-215-S3C-5UQ2R2B0E-3T-AM	2.0x1.25x0.8	● Orange	611~619nm	90	180	1.75	2.35	20	130
17-215-Y2C-P9Q2S1B0E-3T-AM	2.0x1.25x0.8	● Yellow	584~596nm	90	224	1.75	2.35	20	130



UNIT : mm



0603

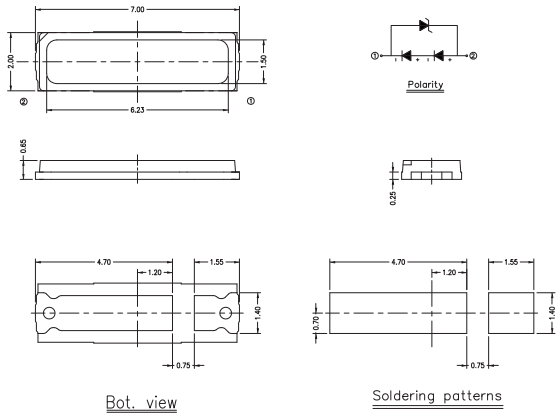
Product	Size (LxWxHmm)	Color	λ_d (nm)	I_V Min. (mcd)	I_V Max. (mcd)	V_F Min. (V)	V_F Max. (V)	I_F (mA)	Viewing Angle (°)
19-213-G6SC-M0P1Q1B0E-3T-AM	1.6x0.8x0.6	● Yellow Green	569.5~575.5nm	45	90	1.75	2.35	20	120
19-213-R6C-A0R2S2B0E-3T-AM	1.6x0.8x0.6	● Red	617.5~633.5nm	140	280	1.75	2.35	20	120
19-213-S3SC-B0S1T1B0E-3T-AM	1.6x0.8x0.6	● Orange	613.5~621.5nm	180	355	1.75	2.35	20	120
19-213-Y2SC-9AS1T1B0E-3T-AM	1.6x0.8x0.6	● Yellow	589~595nm	180	355	1.75	2.35	20	120

Backlighting LED | TV/Monitor

Application/ TFT Edge



UNIT : mm

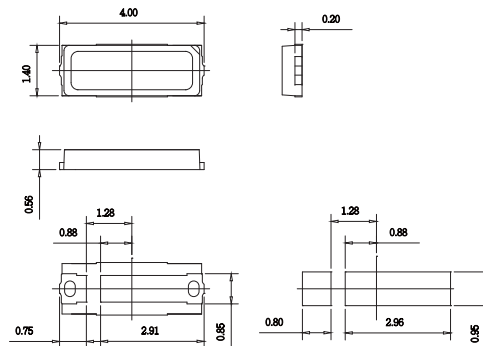


7020

Product	Size (LxWxHmm)	Color	Power(W)	CIE(x,y)	Iv (lm)	VF (V)	Viewing Angle(°)
62-129PUHFC/T94104N47S9C-T	7.0x2.0x0.65	○ White	1	(0.2647, 0.2341)	99~123	6.2~6.8	120



UNIT : mm



4014

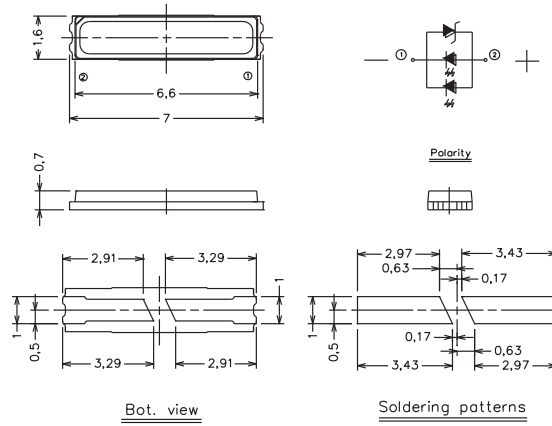
Product	Size (LxWxHmm)	Color	Power(W)	CIE(x,y)	Iv (lm)	VF (V)	Viewing Angle(°)
50-615PHFC/7175M46S8C/TR8-T	4.0x1.4x0.6	○ White	0.8	(0.2647, 0.2341)	70~83	5.8~6.4	120

Backlighting LED ITV/Monitor

Application/ TFT Edge



UNIT : mm

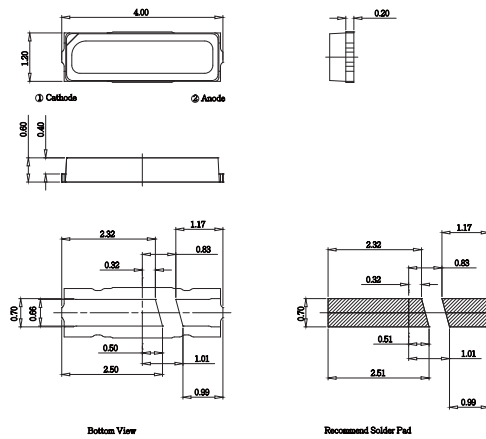


7016

Product	Size (LxWxHmm)	Color	Power(W)	CIE(x,y)	Iv (lm)	VF (V)	Viewing Angle(°)
62-125UHBC/T7987ZM8AP9E/TR8-T	7.0x1.6x0.7	○White	0.9	(0.2647,0.2341)	76-91	2.8-3.4	120



UNIT : mm



4012

Product	Size (LxWxHmm)	Color	Power(W)	CIE(x,y)	Iv (lm)	VF (V)	Viewing Angle(°)
50-515UMRFC/1620M468C/TR8-T	4.0x1.2x0.6	○White	0.18	(0.2647,0.2341)	16-24	2.7-3.4	120

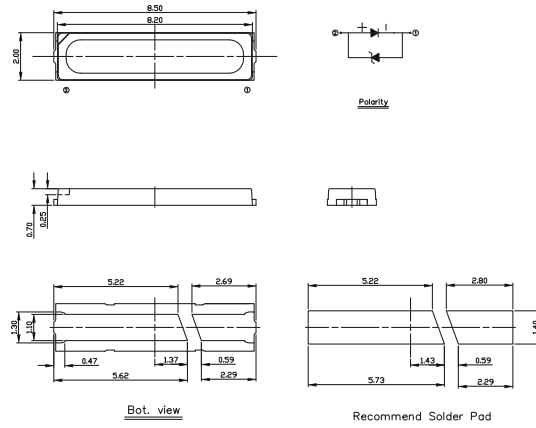
Backlighting LED | TV/Monitor

Application/ TFT Edge



8520

UNIT : mm

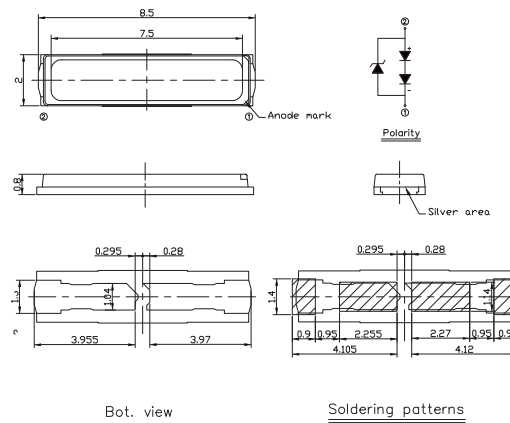


Product	Size (LxWxHmm)	Color	Power(W)	CIE(x,y)	Iv (lm)	VF (V)	Viewing Angle(°)
62-112UHFC/2227J4E3H9C/TR8-T	8.5x2.0x0.7	○White	0.25	(0.2647,0.2341)	20-28	2.8-3.2	120



8520

UNIT : mm



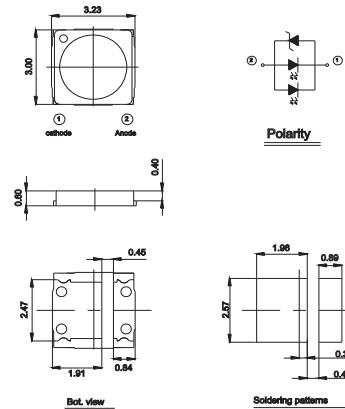
Product	Size (LxWxHmm)	Color	Power(W)	CIE(x,y)	Iv (lm)	VF (V)	Viewing Angle(°)
62-122UMRIC/3338LM58P8C/TR8-T	8.5x2.0x0.8	○White	0.32	(0.2647,0.2341)	34-43	2.7-3.2	120

Backlighting LED ITV/Monitor

Application/ TFT Direct



UNIT : mm

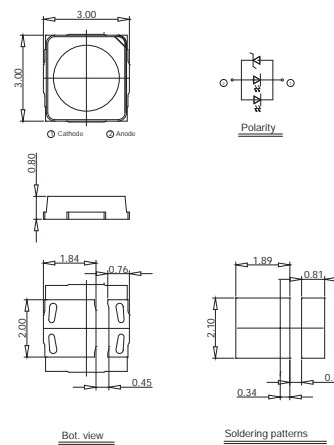


3030 2.5φ

Product	Size (LxWxHmm)	Color	Power(W)	CIE(x,y)	Iv (lm)	VF (V)	Viewing Angle(°)
62-123PAUN3W/F120135VM68PBD-T	3.0x3.0x0.6	○White	1.3	(0.2735,0.2293)	120-150	3.0-3.45	120



UNIT : mm



3030 2.3φ

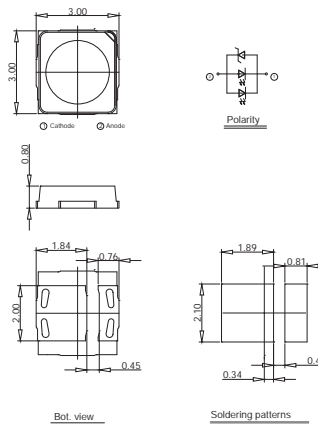
Product	Size (LxWxHmm)	Color	Power(W)	CIE(x,y)	Iv (lm)	VF (V)	Viewing Angle(°)
62-113PUN2C/F90115ZN57DH-T	3.0x3.0x0.8	○White	1.4	(0.2735,0.2293)	90-130	3.2-3.8	120

Backlighting LED | TV/Monitor

Application/TFT Direct



UNIT : mm

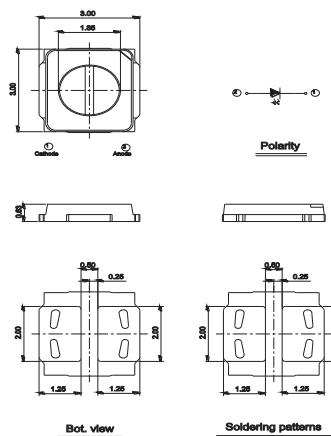


3030 2.3φ

Product	Size (LxWxHmm)	Color	Power(W)	CIE(x,y)	Iv (lm)	VF (V)	Viewing Angle(°)
62-223PUNC/F125150ZM35SBE-T	3.0x3.0x0.8	○White	1.8	(0.2735,0.2293)	125-165	6.4-7.2	120



UNIT : mm



3030FC 1.8φ

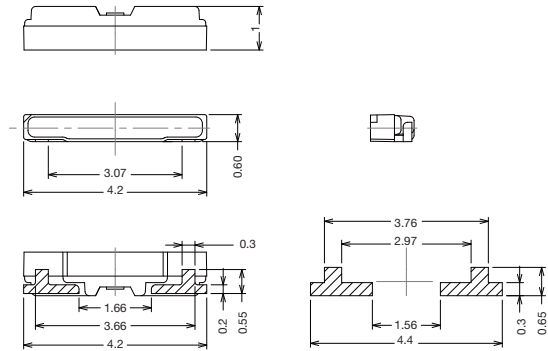
Product	Size (LxWxHmm)	Color	Power(W)	CIE(x,y)	Iv (lm)	VF (V)	Viewing Angle(°)
S3030FPBUD2C/F120145N37BF-T	3.0x3.0x0.63	○White	1.65	(0.2735,0.2293)	120-160	3.0-3.6	120

Backlighting LED | Portable

Application/ Side View



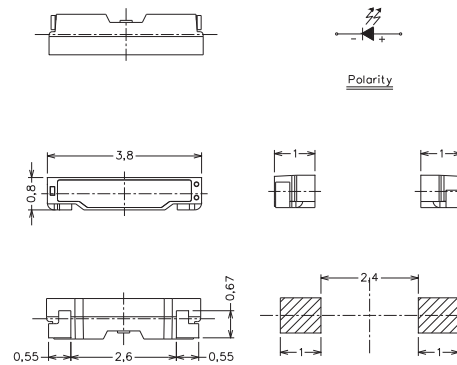
UNIT : mm



Product	Size (LxWxHmm)	Color	Power(W)	CIE(x,y)	Iv (lm)	VF (V)	Viewing Angle(°)
99-826LM2C/TR8-T	4.2x1x0.6	White	0.12	X=0.295,Y=0.28	14-17	5.4-6.8	120



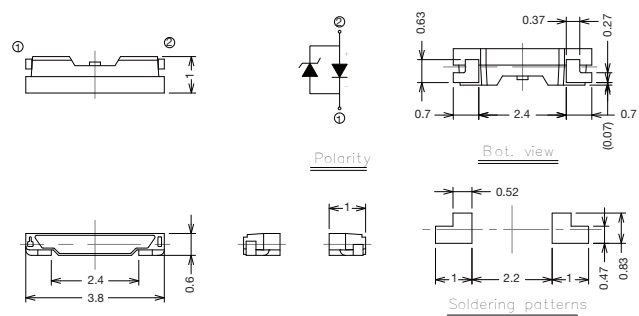
UNIT : mm



Product	Size (LxWxHmm)	Color	Power(W)	CIE(x,y)	Iv (lm)	VF (V)	Viewing Angle(°)
99-713LM2C/TR8-T	3.8x1.0x0.8	White	0.06	X=0.295,Y=0.28	7.75-8.5	2.7-3.4	120



UNIT : mm

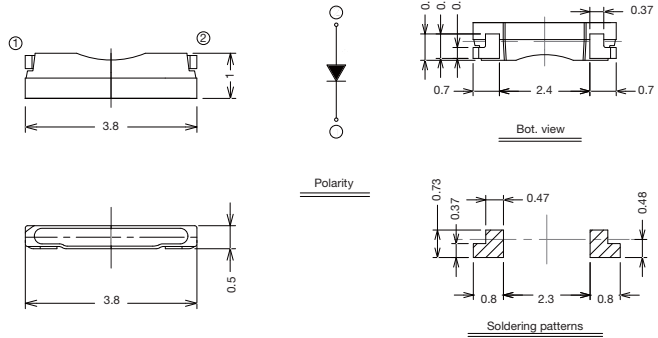


Product	Size (LxWxHmm)	Color	Power(W)	CIE(x,y)	Iv (lm)	VF (V)	Viewing Angle(°)
99-616LM2C/TR8-T	3.8x1.0x0.6	White	0.06	X=0.295,Y=0.28	8.75-9.25	2.9-3.4	120

Backlighting LED | Portable
Application/ Side View



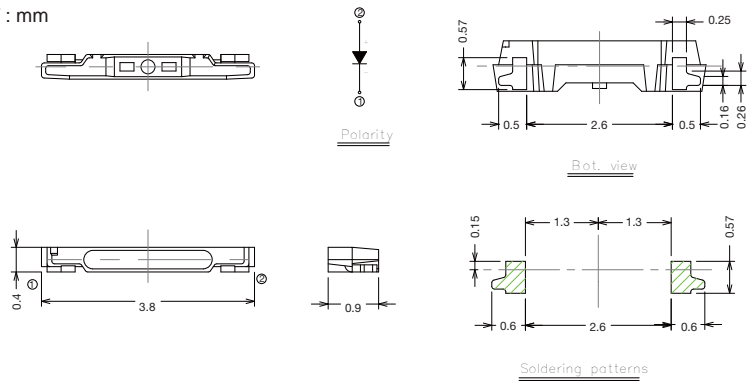
UNIT : mm



Product	Size (LxWxHmm)	Color	Power(W)	CIE(x,y)	Iv (lm)	VF (V)	Viewing Angle(°)
3805AUM2C/TR8-T	3.8x1.0x0.5	White	0.06	X=0.295,Y=0.28	8.25-9.0	2.7-3.4	116



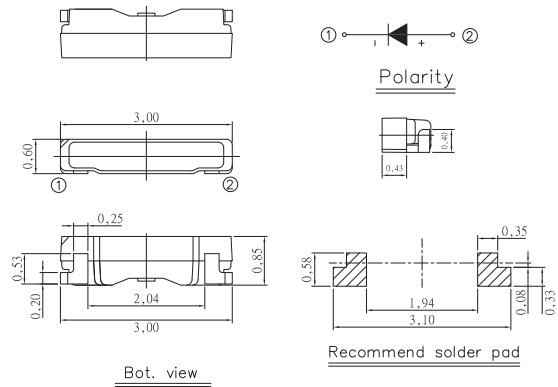
UNIT : mm



Product	Size (LxWxHmm)	Color	Power(W)	CIE(x,y)	Iv (lm)	VF (V)	Viewing Angle(°)
99-218GUM2C/TR8-T	3.8x0.9x0.4	White	0.06	X=0.295,Y=0.28	8.0-8.75	2.7-3.4	120



UNIT : mm

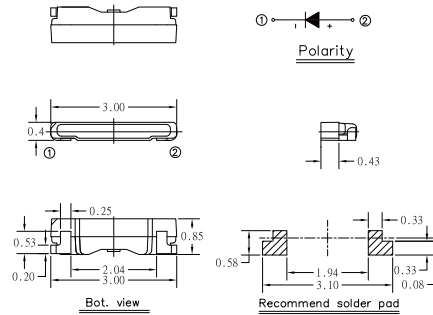


Product	Size (LxWxHmm)	Color	Power(W)	CIE(x,y)	Iv (lm)	VF (V)	Viewing Angle(°)
3006UM2C/TR8-T	3.0x0.85x0.6	White	0.06	X=0.295,Y=0.28	8.0-8.5	2.9-3.4	120

Backlighting LED | Portable
Application/ Side View



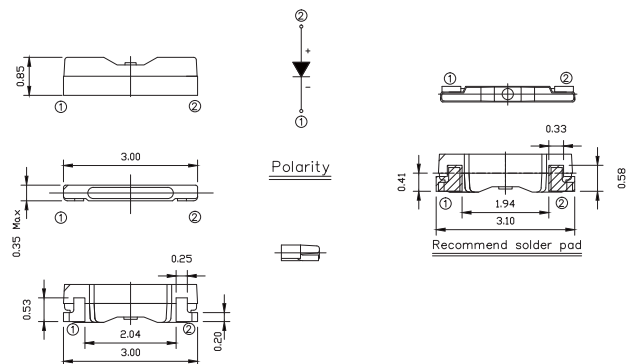
UNIT : mm



Product	Size (LxWxHmm)	Color	Power(W)	CIE(x,y)	Iv (lm)	VF (V)	Viewing Angle(°)
3004UM2C/TR8-T	3.0x0.85x0.4	White	0.06	X=0.295,Y=0.28	7.75-8.5	2.7-3.4	115



UNIT : mm



Product	Size (LxWxHmm)	Color	Power(W)	CIE(x,y)	Iv (lm)	VF (V)	Viewing Angle(°)
3003UM2C/TR8-T	3.0x0.85x0.3	White	0.06	X=0.295,Y=0.28	6.5-70	2.9-3.4	120



INFRARED LED, SENSORS, COUPLERS

174 INFRARED LED AND SILICON DETECTOR

207 INFRARED RECEIVER MODULE

217 OPTIC-FIBER DEVICE (PHOTO LINK)

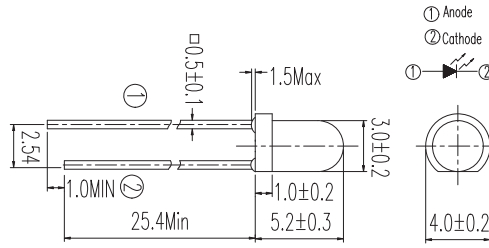
226 OPTICAL SENSOR

243 PHOTO COUPLER

Infrared LED and Silicon Detector | Emitter | Lamp 3mm



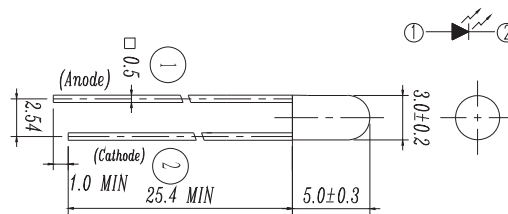
UNIT : mm



Product	Size (mm)	λ_p (nm)	V_F Typ (V)	V_F Max (V)	I_e Min (mW/sr)	I_e Typ (mW/sr)	Viewing Angle (°)
HIR204	3	850	1.45	1.65	7.8	17.6	25
HIR204/H0	3	850	1.45	1.65	4	8.9	40
HIR204C	3	850	1.45	1.65	7.8	17.6	25
HIR204C/H0	3	850	1.45	1.65	11	20	40
IR204-A	3	940	1.2	1.5	4	5.6	35
IR204/H16/L10	3	940	1.2	1.5	4	8	50
IR204/H60	3	940	1.2	1.5	4	7	50
IR204C-A	3	940	1.2	1.5	4	7.8	40
IR204C/H16/L10	3	940	1.2	1.5	2.8	5	50
SIR204-A	3	875	1.3	1.6	4	6.4	30
SIR204C	3	875	1.3	1.6	4	6.4	30



UNIT : mm

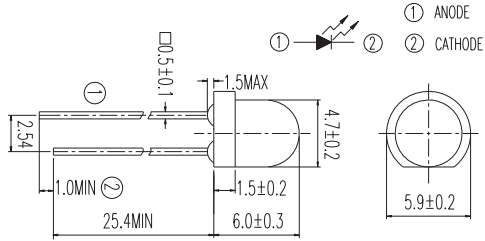


Product	Size (mm)	λ_p (nm)	V_F Typ (V)	V_F Max (V)	I_e Min (mW/sr)	I_e Typ (mW/sr)	Viewing Angle (°)
SIR234	3	875	1.3	1.6	5.6	9.3	30
HIR234C	3	850	1.45	1.65	7.8	15	30

Infrared LED and Silicon Detector | Emitter | Lamp 5mm



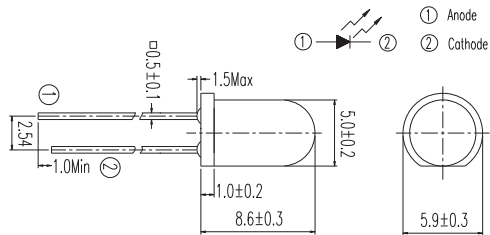
UNIT : mm



Product	Size (mm)	λ_p (nm)	V_F Typ (V)	V_F Max (V)	I_{e_Min} (mW/sr)	I_{e_Typ} (mW/sr)	Viewing Angle (°)
HIR323C	5	850	1.45	1.65	15	30	15
HIR323C/H0	5	850	1.45	1.65	7.8	11	30
IR323	5	940	1.2	1.5	5.6	7.8	30
IR323/H0-A	5	940	1.2	1.5	2	3.5	60
SIR323-5	5	875	1.3	1.65	4	7.8	35



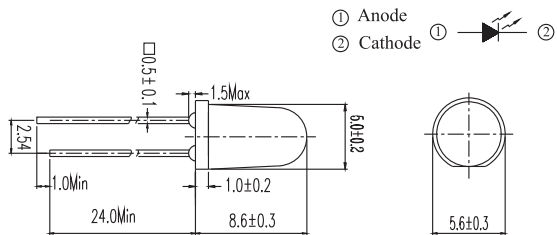
UNIT : mm



Product	Size (mm)	λ_p (nm)	V_F Typ (V)	V_F Max (V)	I_{e_Min} (mW/sr)	I_{e_Typ} (mW/sr)	Viewing Angle (°)
HIR333/H0	5	850	1.45	1.65	7.8	15	30
HIR333C/H0	5	850	1.45	1.65	7.8	15	30
IR333-A	5	940	1.2	1.5	7.8	20	20
IR333/H0	5	940	1.2	1.5	5.6	7.8	40
IR333/H0/L10	5	940	1.2	1.5	11	20	40
IR333C	5	940	1.2	1.5	7.8	15	20
IR333C/H0/L10	5	940	1.2	1.5	7.8	10	40
IR333C/H2	5	940	1.2	1.5	7.8	15	30
SIR333-A	5	875	1.3	1.65	7.8	20	20



UNIT : mm

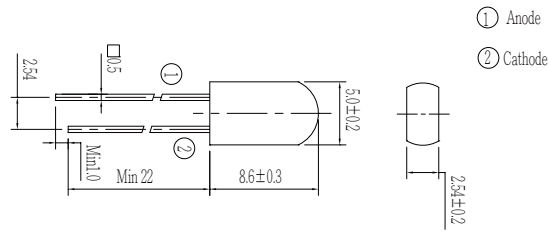


Product	Size (mm)	λ_p (nm)	V_F Typ (V)	V_F Max (V)	I_{e_Min} (mW/sr)	I_{e_Typ} (mW/sr)	Viewing Angle (°)
IR383	5	940	1.2	1.5	15	20	20
SIR383C	5	875	1.3	1.6	11	20	20
HIR383C/L289	5	850	1.45	1.65	--	140	18

Infrared LED and Silicon Detector | Emitter | Lamp 5mm



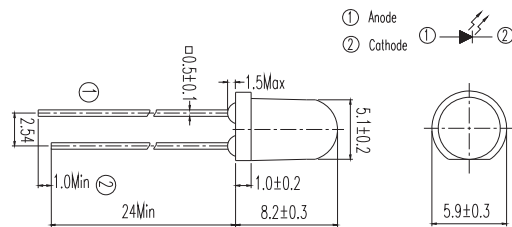
UNIT : mm



Product	Size (mm)	λ_p (nm)	V_F Typ (V)	V_F Max (V)	I_{e_Min} (mW/sr)	I_{e_Typ} (mW/sr)	Viewing Angle (°)
IR533C	5	940	1.2	1.5	4	7.8	25



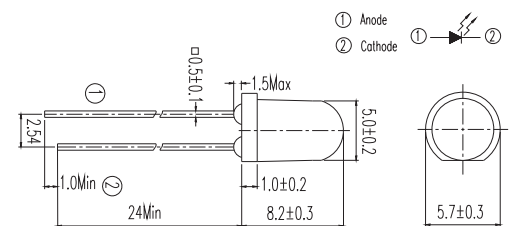
UNIT : mm



Product	Size (mm)	λ_p (nm)	V_F Typ (V)	V_F Max (V)	I_{e_Min} (mW/sr)	I_{e_Typ} (mW/sr)	Viewing Angle (°)
HIR7373B/L289	5	850	1.45	1.6	21	40	25
HIR7373C	5	850	1.45	1.65	7.8	15	40
IR7373C	5	940	1.2	1.5	5.6	12	45



UNIT : mm

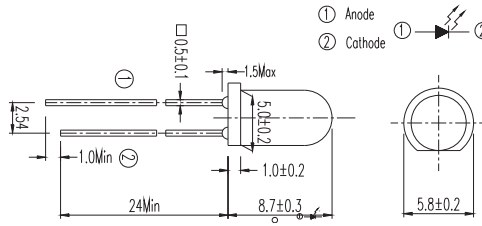


Product	Size (mm)	λ_p (nm)	V_F Typ (V)	V_F Max (V)	I_{e_Min} (mW/sr)	I_{e_Typ} (mW/sr)	Viewing Angle (°)
HIR7393B/L289	5	850	1.45	1.6	7.8	20	50
HIR7393C	5	850	1.45	1.65	7.8	15	45
IR7393C	5	940	1.2	1.5	4	6.5	55

Infrared LED and Silicon Detector | Emitter | Lamp 5mm



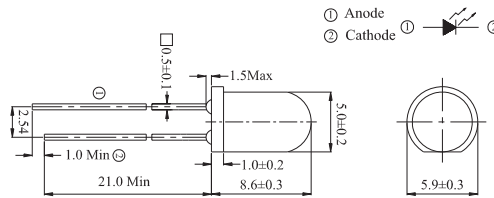
UNIT : mm



Product	Size (mm)	λ_p (nm)	V_F Typ (V)	V_F Max (V)	I_{e_Min} (mW/sr)	I_{e_Typ} (mW/sr)	Viewing Angle (°)
HIR8323/C16	5	850	1.45	1.65	20	30	30



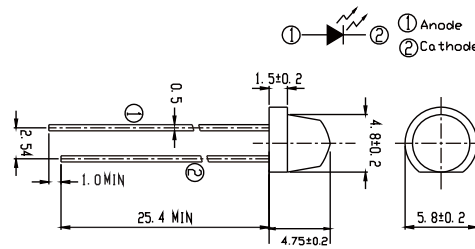
UNIT : mm



Product	Size (mm)	λ_p (nm)	V_F Typ (V)	V_F Max (V)	I_{e_Min} (mW/sr)	I_{e_Typ} (mW/sr)	Viewing Angle (°)
IR8353-14C	5	940	1.2	1.5	7.8	11	27-43



UNIT : mm

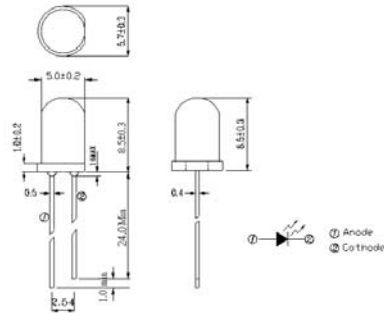


Product	Size (mm)	λ_p (nm)	V_F Typ (V)	V_F Max (V)	I_{e_Min} (mW/sr)	I_{e_Typ} (mW/sr)	Viewing Angle (°)
HIR7323C/L599	5	850	1.4@50mA	1.7@50mA	10@50mA	13@50mA	75

Infrared LED and Silicon Detector | Emitter | Lamp 5mm



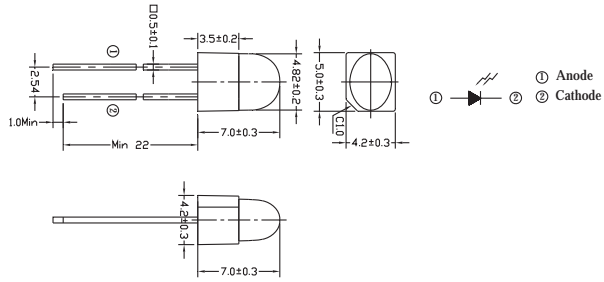
UNIT : mm



Product	Size (mm)	λ_p (nm)	V_F Typ (V)	V_F Max (V)	I_{e_Min} (mW/sr)	I_{e_Typ} (mW/sr)	Viewing Angle (°)
IR8394-20C	5	940	1.2	1.5	2.8	5	60



UNIT : mm

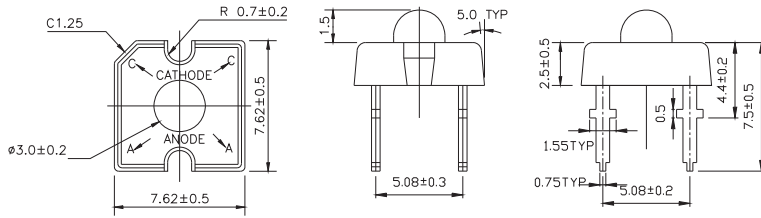


Product	Size (mm)	λ_p (nm)	V_F Typ (V)	V_F Max (V)	I_{e_Min} (mW/sr)	I_{e_Typ} (mW/sr)	Viewing Angle (°)
IR5443-14C/L527	5	940	1.2	1.5	4	9	60(X)30(Y)

Infrared LED and Silicon Detector | Emitter | Piranha



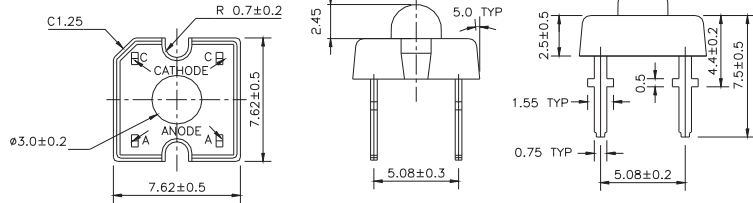
UNIT : mm



Product	Size (LxWxHmm)	λ_p (nm)	V_F Typ (V)	V_F Max (V)	I_{e_Min} (mW/sr)	I_{e_Typ} (mW/sr)	Viewing Angle (°)
HIR30-01C/S16	7.62x7.62x4	850	1.45	1.65	5.6	10	35



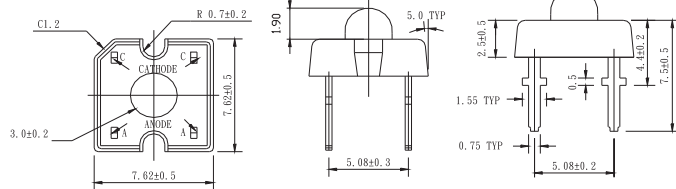
UNIT : mm



Product	Size (LxWxHmm)	λ_p (nm)	V_F Typ (V)	V_F Max (V)	I_{e_Min} (mW/sr)	I_{e_Typ} (mW/sr)	Viewing Angle (°)
HIR36-01C/S32	7.62x7.62x5	850	1.45	1.65	15	29	20



UNIT : mm

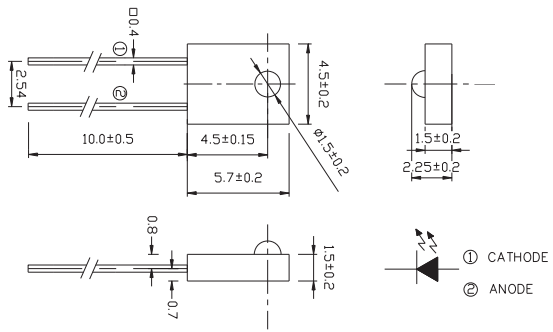


Product	Size (LxWxHmm)	λ_p (nm)	V_F Typ (V)	V_F Max (V)	I_{e_Min} (mW/sr)	I_{e_Typ} (mW/sr)	Viewing Angle (°)
HIR38-01C	7.62x7.62x4.4	850	1.45	1.65	7.8	17	30

Infrared LED and Silicon Detector | Emitter | Side Look



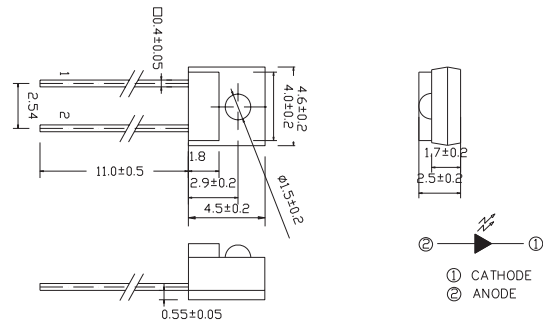
UNIT : mm



Product	Size (LxWxHmm)	λ_p (nm)	V_F Typ (V)	V_F Max (V)	I_{e_Min} (mW/sr)	I_{e_Typ} (mW/sr)	Viewing Angle (°)
IR908-7C-F	4.5x2.25x5.7	940	1.2	1.5	--	--	60



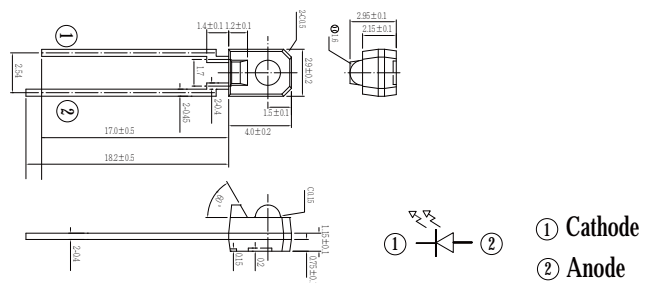
UNIT : mm



Product	Size (LxWxHmm)	λ_p (nm)	V_F Typ (V)	V_F Max (V)	I_{e_Min} (mW/sr)	I_{e_Typ} (mW/sr)	Viewing Angle (°)
IR928-6C-F	4.6x2.5x4.5	940	1.2	1.5	--	--	40

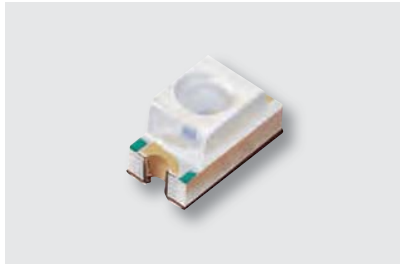


UNIT : mm

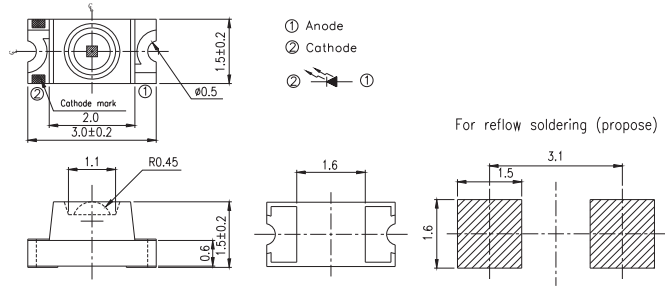


Product	Size (LxWxHmm)	λ_p (nm)	V_F Typ (V)	V_F Max (V)	I_{e_Min} (mW/sr)	I_{e_Typ} (mW/sr)	Viewing Angle (°)
IR968-8C	2.9x2.9x4	940	1.2	1.5	--	--	25

Infrared LED and Silicon Detector | Emitter | SMD



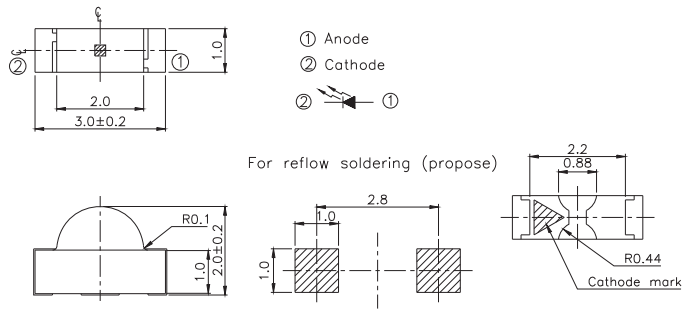
UNIT : mm



Product	Size (LxWxHmm)	λ_p (nm)	V_F Typ (V)	V_F Max (V)	I_{e_Min} (mW/sr)	I_{e_Typ} (mW/sr)	Viewing Angle (°)
IR11-21C/TR8	3x1.5x1.5	940	1.2	1.5	0.5	1.6	100
IR11-21C/L491/TR8	3x1.5x1.5	940	1.3	1.7	1.0	4.0	80
HIR11-21C/L11/TR8	3x1.5x1.5	850	1.45	1.65	1	2	75
SIR11-21C/L294/TR8	3x1.5x1.5	870	1.4	1.5	1.3	2.6	100



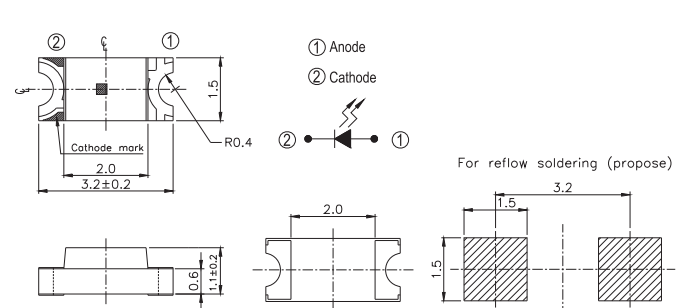
UNIT : mm



Product	Size (LxWxHmm)	λ_p (nm)	V_F Typ (V)	V_F Max (V)	I_{e_Min} (mW/sr)	I_{e_Typ} (mW/sr)	Viewing Angle (°)
IR12-21C/TR8	3x1x2	940	1.2	1.5	0.5	0.8	160
SIR12-21C/TR8	3x1x2	875	1.3	1.6	0.5	0.9	160
HIR12-21C/TR8	3x1x2	850	1.45	1.65	0.7	1.3	145



UNIT : mm

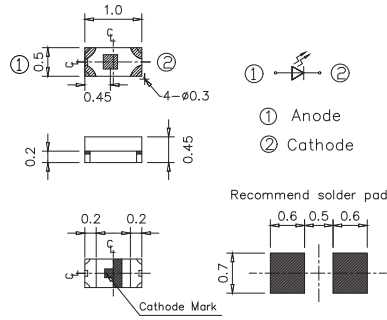


Product	Size (LxWxHmm)	λ_p (nm)	V_F Typ (V)	V_F Max (V)	I_{e_Min} (mW/sr)	I_{e_Typ} (mW/sr)	Viewing Angle (°)
HIR15-21C/TR8	3.2x1.5x1.1	850	1.45	1.65	0.5	1.5	150
IR15-21C/TR8	3.2x1.5x1.1	940	1.2	1.5	0.2	0.8	160

Infrared LED and Silicon Detector | Emitter | SMD



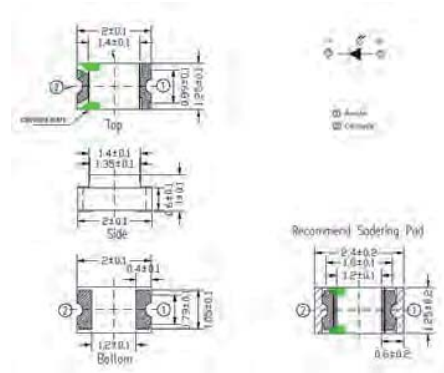
UNIT : mm



Product	Size (LxWxHmm)	λ_p (nm)	V_F Typ (V)	V_F Max (V)	I_{e_Min} (mW/sr)	I_{e_Typ} (mW/sr)	Viewing Angle (°)
IR16-213C/L510/TR8	1x0.5x0.45	940	1.5	1.9	0.5	2.35	120



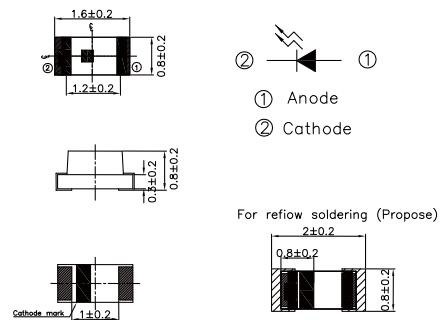
UNIT : mm



Product	Size (LxWxHmm)	λ_p (nm)	V_F Typ (V)	V_F Max (V)	I_{e_Min} (mW/sr)	I_{e_Typ} (mW/sr)	Viewing Angle (°)
IR17-21C/TR8	2x1.25x1.0	940	1.2	1.5	0.2	0.8	120
HIR17-21C/TR8	2x1.25x1.0	850	1.45	1.65	0.5	2	120
HIR17-21C/L289/TR8	2x1.25x1.0	850	1.4	1.7	1.6	2.1	120



UNIT : mm

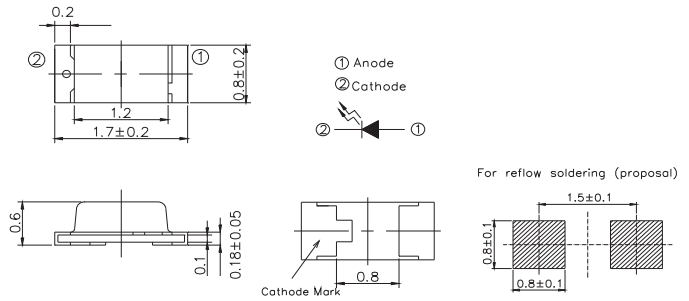


Product	Size (LxWxHmm)	λ_p (nm)	V_F Typ (V)	V_F Max (V)	I_{e_Min} (mW/sr)	I_{e_Typ} (mW/sr)	Viewing Angle (°)
IR19-21C/TR8	1.6x0.8x0.8	940	1.2	1.5	0.2	0.7	150
SIR19-21C/TR8	1.6x0.8x0.8	875	1.3	1.6	0.2	0.5	145
HIR19-21C/L11/TR8	1.6x0.8x0.8	850	1.45	1.65	0.2	0.8	145
HIR19-21C/L289/TR8	1.6x0.8x0.8	850	1.4	1.7	1.0	1.85	145

Infrared LED and Silicon Detector | Emitter | SMD



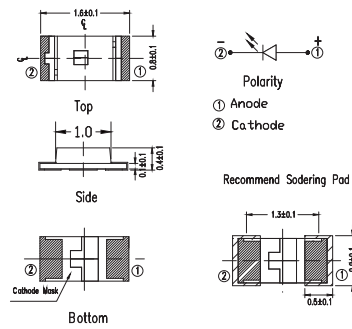
UNIT : mm



Product	Size (LxWxHmm)	λ_p (nm)	V_F Typ (V)	V_F Max (V)	I_{e_Min} (mW/sr)	I_{e_Typ} (mW/sr)	Viewing Angle (°)
IR19-315C/TR8	1.7x0.8x0.6	940	1.2	1.5	0.2	0.6	140



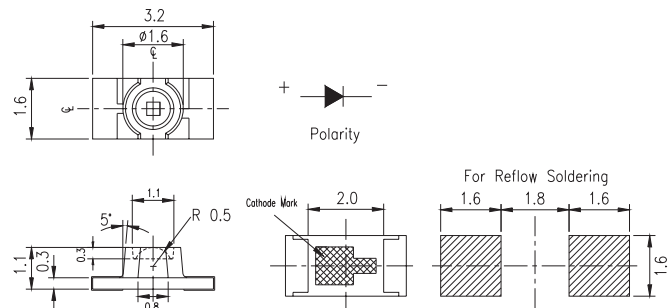
UNIT : mm



Product	Size (LxWxHmm)	λ_p (nm)	V_F Typ (V)	V_F Max (V)	I_{e_Min} (mW/sr)	I_{e_Typ} (mW/sr)	Viewing Angle (°)
IR19-217C/TR8	1.6x0.8x0.4	940	1.2	1.5	0.2	0.8	160

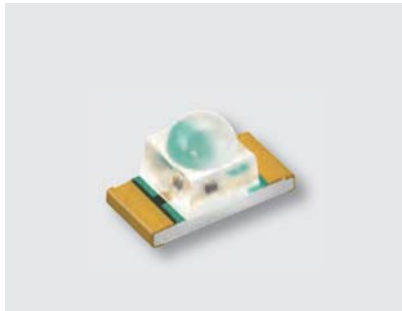


UNIT : mm

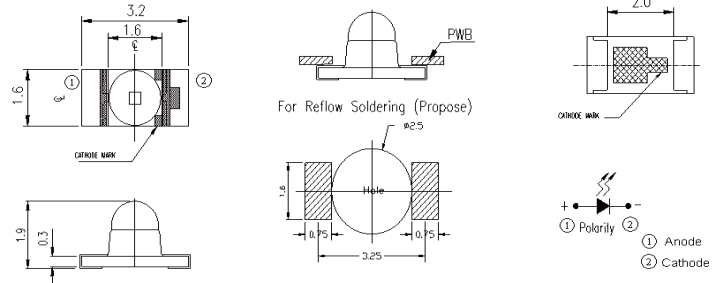


Product	Size (LxWxHmm)	λ_p (nm)	V_F Typ (V)	V_F Max (V)	I_{e_Min} (mW/sr)	I_{e_Typ} (mW/sr)	Viewing Angle (°)
IR25-21C/TR8	3.2x1.6x1.1	940	1.2	1.5	0.5	1.5	160
HIR25-21C/L423/TR8	3.2x1.6x1.1	850	1.45	1.65	3.0	5.5	70
HIR25-21C/L423/2T	3.2x1.6x1.1	850	1.6@50mA	2.0@50mA	3.0	5.5	70

Infrared LED and Silicon Detector | Emitter | SMD



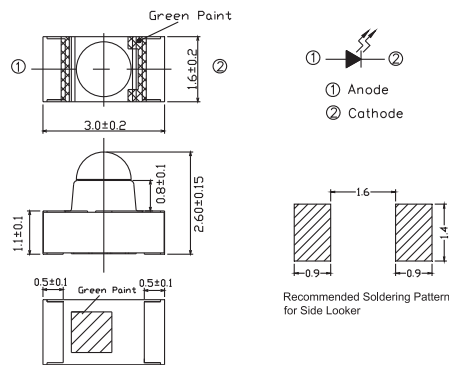
UNIT : mm



Product	Size (LxWxHmm)	λ_p (nm)	V_F Typ (V)	V_F Max (V)	I_{e_Min} (mW/sr)	I_{e_Typ} (mW/sr)	Viewing Angle (°)
IR26-21C/L110/TR8	3.2x1.6x1.9	940	1.2	1.5	1	3.0	20
HIR26-21C/L423/CT	3.2x1.6x1.9	855	1.45	1.7	14	25	20
HIR26-21C/L289/CT	3.2x1.6x1.9	850	1.4	1.7	10	17	20



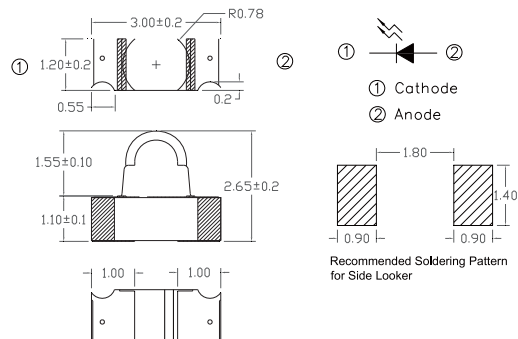
UNIT : mm



Product	Size (LxWxHmm)	λ_p (nm)	V_F Typ (V)	V_F Max (V)	I_{e_Min} (mW/sr)	I_{e_Typ} (mW/sr)	Viewing Angle (°)
IR26-51C/L110/TR8	3.0x1.6x2.6	940	1.2	1.5	2	4.5	20



UNIT : mm

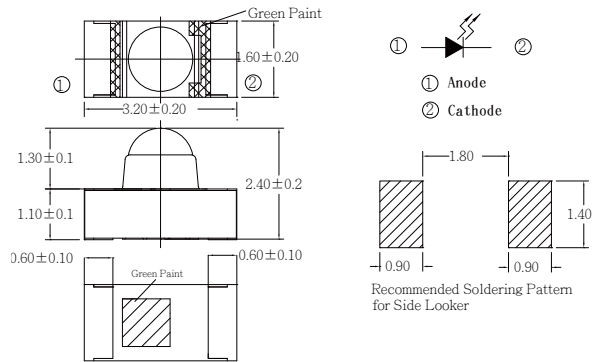


Product	Size (LxWxHmm)	λ_p (nm)	V_F Typ (V)	V_F Max (V)	I_{e_Min} (mW/sr)	I_{e_Typ} (mW/sr)	Viewing Angle (°)
IR26-61C/L302/TR8	3x1.2x2.65	940	1.25	1.5	4.0	8	20
IR26-61C/L447/TR8	3x1.2x2.65	940	1.20	1.5	13	18	30
IR26-61C/L675/TR8	3x1.2x2.65	940	1.2	1.5	4	8	40

Infrared LED and Silicon Detector | Emitter | SMD



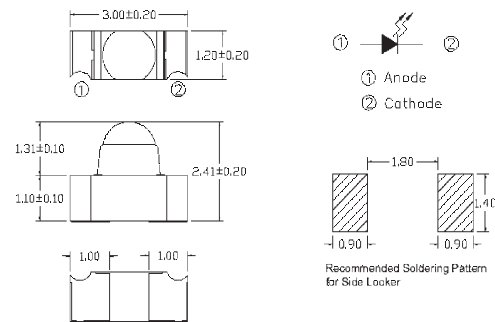
UNIT : mm



Product	Size (LxWxHmm)	λ_p (nm)	V_F Typ (V)	V_F Max (V)	I_{e_Min} (mW/sr)	I_{e_Typ} (mW/sr)	Viewing Angle (°)
IR26-71C/L302/TR8	3.2x1.6x2.4	940	1.25	1.5	2.0	4.5	45



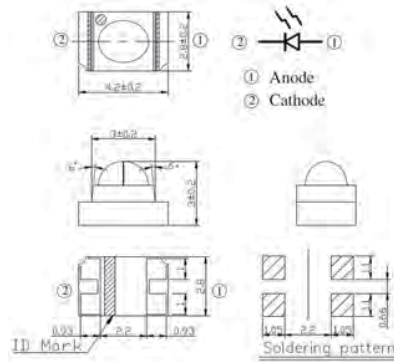
UNIT : mm



Product	Size (LxWxHmm)	λ_p (nm)	V_F Typ (V)	V_F Max (V)	I_{e_Min} (mW/sr)	I_{e_Typ} (mW/sr)	Viewing Angle (°)
IR26-71C/L447/S63/TR8	3.0x2.4x1.2	940	1.3	1.6	5	8.5	50



UNIT : mm

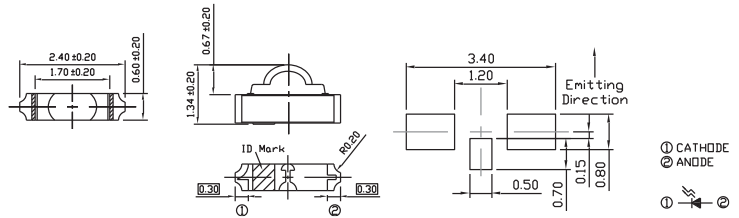


Product	Size (LxWxHmm)	λ_p (nm)	V_F Typ (V)	V_F Max (V)	I_{e_Min} (mW/sr)	I_{e_Typ} (mW/sr)	Viewing Angle (°)
IR28-01C/L491/2R	4.2x2.8x3	940	1.3	1.6	7	10	75(X) 40(Y)

Infrared LED and Silicon Detector | Emitter | SMD



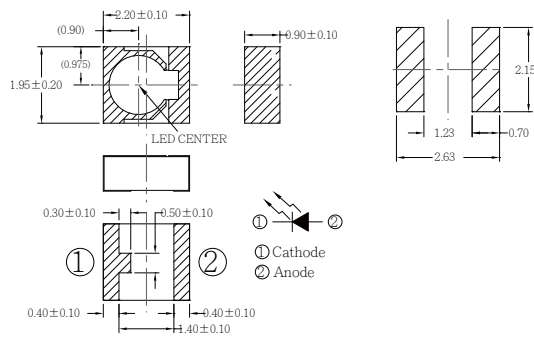
UNIT : mm



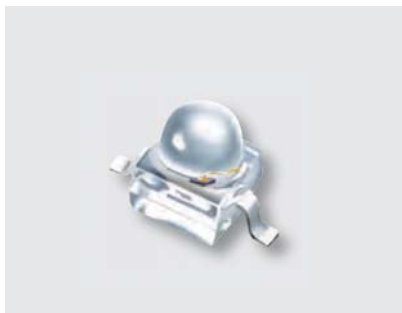
Product	Size (LxWxHmm)	λ_p (nm)	V_F Typ (V)	V_F Max (V)	I_{e_Min} (mW/sr)	I_{e_Typ} (mW/sr)	Viewing Angle (°)
IR12-206C/L268/TR8	2.4x0.6x1.34	940	1.2	1.4	0.8	1.5	160(X) 120(Y)



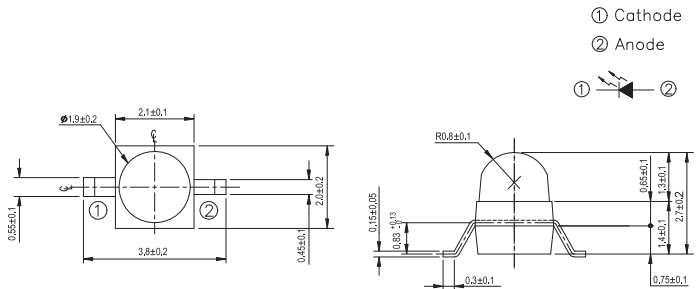
UNIT : mm



Product	Size (LxWxHmm)	λ_p (nm)	V_F Typ (V)	V_F Max (V)	I_{e_Min} (mW/sr)	I_{e_Typ} (mW/sr)	Viewing Angle (°)
HIR91-01C/L297/2T	2.2x1.95x0.9	850	1.4	1.7	25@70mA	40@70mA	40
IR91-01C/L491/2R	2.2x1.95x0.9	940	1.4	1.7	25@70mA	50@70mA	40

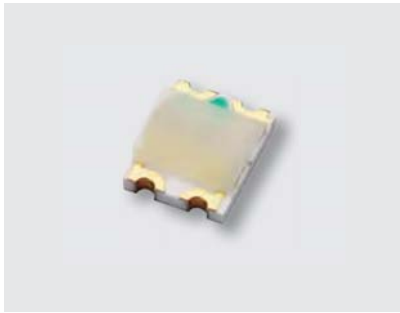


UNIT : mm

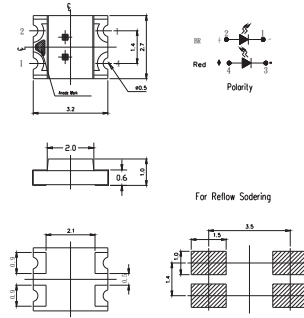


Product	Size (LxWxHmm)	λ_p (nm)	V_F Typ (V)	V_F Max (V)	I_{e_Min} (mW/sr)	I_{e_Typ} (mW/sr)	Viewing Angle (°)
IR95-21C/TR7	2.1x2x2.7	940	1.2	1.5	3	5	25
SIR95-21C/TR10	2.1x2x2.7	875	1.3	1.6	2	4	25

Infrared LED and Silicon Detector | Emitter | SMD



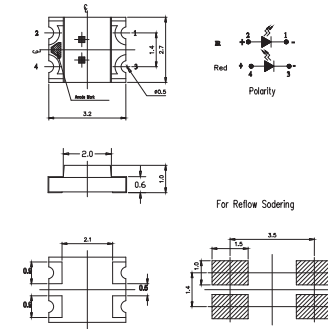
UNIT : mm



Product	Size (LxWxHmm)	λ_p (nm)	V_F Typ (V)	V_F Max (V)	I_e Min (mW/sr)	I_e Typ (mW/sr)	Viewing Angle (°)
BR15-22C/L586/TR8	3.2x2.7x1	660/905	1.8/1.3	2.2/1.6	0.5/0.2	1.5/0.5	120



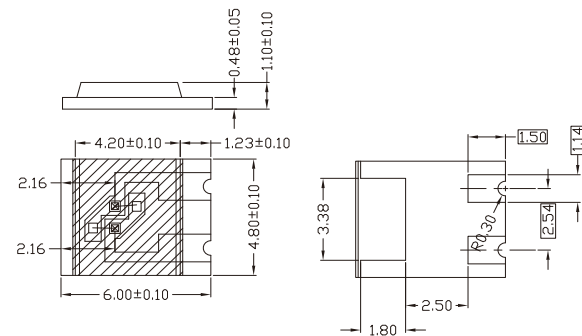
UNIT : mm



Product	Size (LxWxHmm)	λ_p (nm)	V_F Typ (V)	V_F Max (V)	I_e Min (mW/sr)	I_e Typ (mW/sr)	Viewing Angle (°)
IRR15-22C/L491/TR8	3.2x2.7x1	660/940	1.9/1.3	2.5/1.7	1.0/1.0	2.3/2.1	120



UNIT : mm

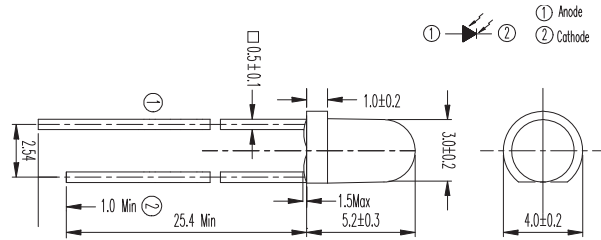


Product	Size (LxWxHmm)	λ_p (nm)	V_F Typ (V)	V_F Max (V)	I_e Min (mW/sr)	I_e Typ (mW/sr)	Viewing Angle (°)
IRR60-48C/TR8	6x4.8x1.1	660/905	2.2/1.4	2.6/1.8	0.5/0.5	1.6/0.9	125/145

Infrared LED and Silicon Detector | Photo Diode | DIP



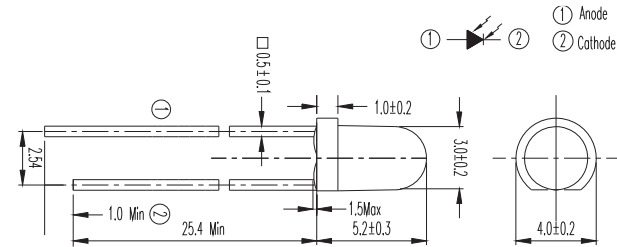
UNIT : mm



Product	Size (mm)	λ_p (nm)	I_L Min (μA)	I_L Typ (μA)	BVR_Min (V)	ID_Max (nA)
PD204-6C/L3	3	940	--	10	32	10



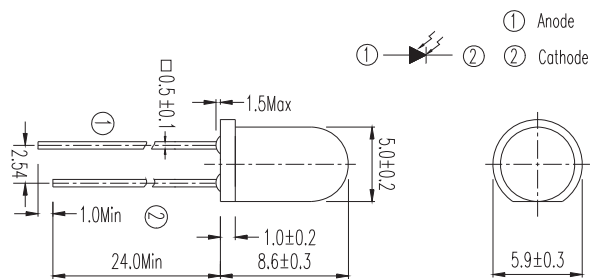
UNIT : mm



Product	Size (mm)	λ_p (nm)	I_L Min (μA)	I_L Typ (μA)	BVR_Min (V)	ID_Max (nA)
PD204-6B	3	940	1	3	32	10



UNIT : mm

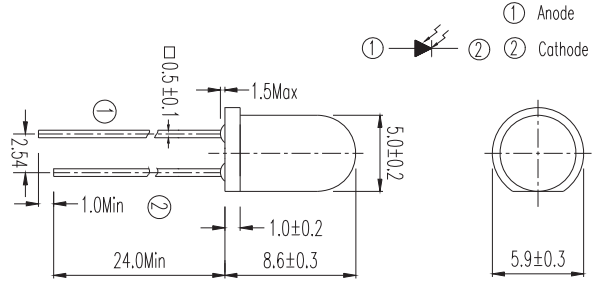


Product	Size (mm)	λ_p (nm)	I_L Min (μA)	I_L Typ (μA)	BVR_Min (V)	ID_Max (nA)
PD333-3C/H0/L2	5	940	36	40	32	30

Infrared LED and Silicon Detector | Photo Diode | DIP



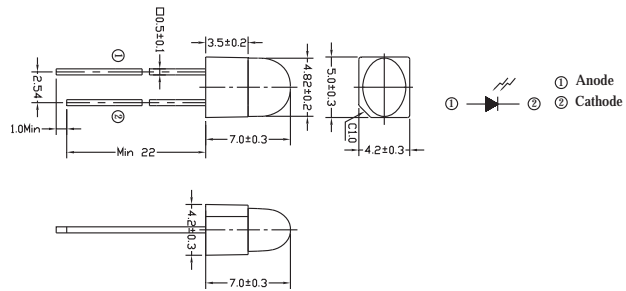
UNIT : mm



Product	Size (LxWxHmm)	λ_p (nm)	I_L _Min (μ A)	I_L _Typ (μ A)	BVR_Min (V)	ID_Max (nA)
PD333-3B/H0/L2	5	940	25	35	32	30



UNIT : mm

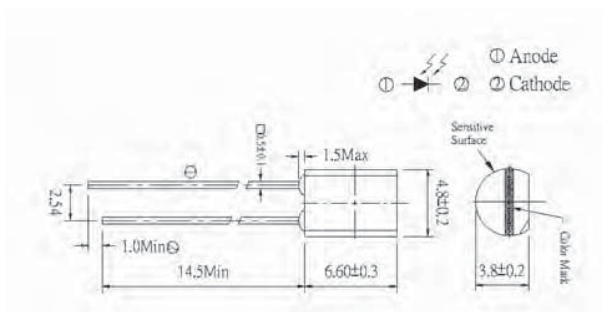


Product	Size (LxWxHmm)	λ_p (nm)	I_L _Min (μ A)	I_L _Typ (μ A)	BVR_Min (V)	ID_Max (nA)
PD5443-3B/L2	5	940	25	39	32	30

Infrared LED and Silicon Detector | Photo Diode | Side Look



UNIT : mm

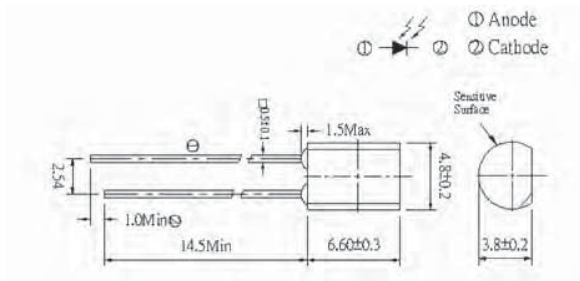


Product	Size (LxWxHmm)	λ_p (nm)	I_L _Min (μ A)	I_L _Typ (μ A)	Rise / Fall Time (ns)	BVR_Min.(V)	ID_Max (nA)
PD438C	4.8x3.8x6.6	940	10.2	18	50 / 50	32	30
PD438C/S46	4.8x3.8x6.6	940	10.2	18	50 / 50	32	30

Infrared LED and Silicon Detector | Photo Diode | Side Look



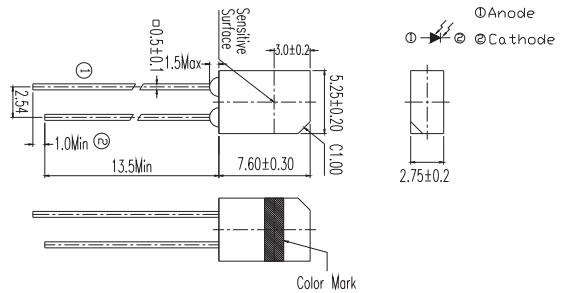
UNIT : mm



Product	Size (LxWxHmm)	λ_p (nm)	I_L Min (μA)	I_L Typ (μA)	Rise / Fall Time (ns)	BVR_Min.(V)	ID_Max (nA)
PD438B	4.8x3.8x6.6	940	10.2	18	50 / 50	32	30
PD438B/L1	4.8x3.8x6.6	940	2.6	4	10 / 10	32	10
PD438B/S46	4.8x3.8x6.6	940	10.2	18	50 / 50	32	30



UNIT : mm

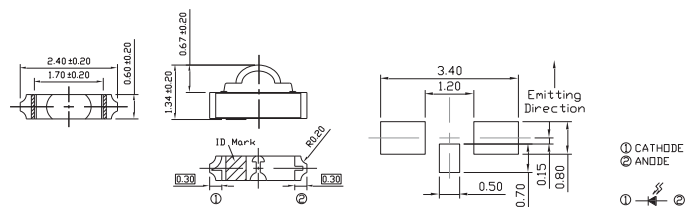


Product	Size (LxWxHmm)	λ_p (nm)	I_L Min (μA)	I_L Typ (μA)	Rise / Fall Time (ns)	BVR_Min.(V)	ID_Max (nA)
PD638B	5.2x2.75x7.6	940	10.2	18	50 / 50	32	30

Infrared LED and Silicon Detector | Photo Diode | SMD

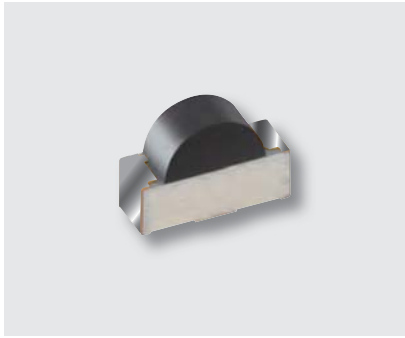


UNIT : mm

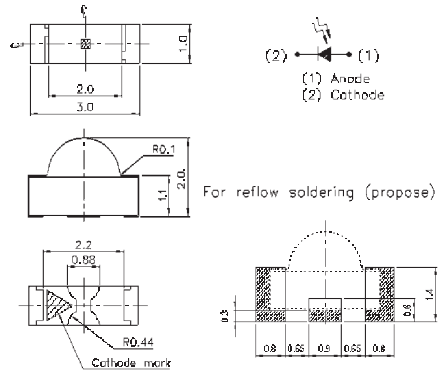


Product	Size (LxWxHmm)	λ_p (nm)	I_L Min (μA)	I_L Typ (μA)	BVR_Min.(V)	ID_Max (nA)
PD12-206B/L512/TR8	2.4x0.6x1.34	875	--	0.7	33	10

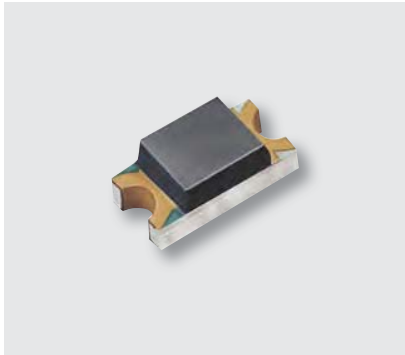
Infrared LED and Silicon Detector | Photo Diode | SMD



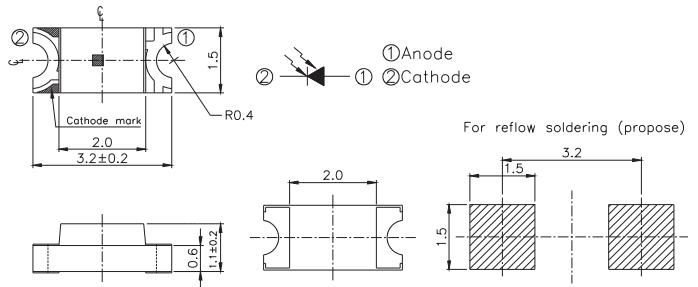
UNIT : mm



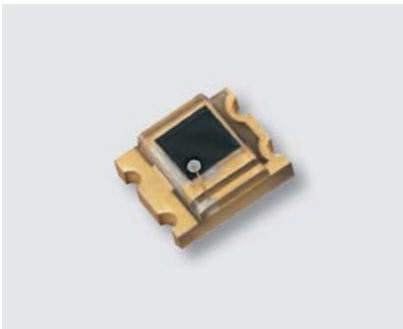
Product	Size (LxWxHmm)	λ_p (nm)	I_L Min (μA)	I_L Typ (μA)	BVR_Min.(V)	ID_Max (nA)
PD12-21B/L458/TR8	3x1x2	940	1.3	1.5	33	10



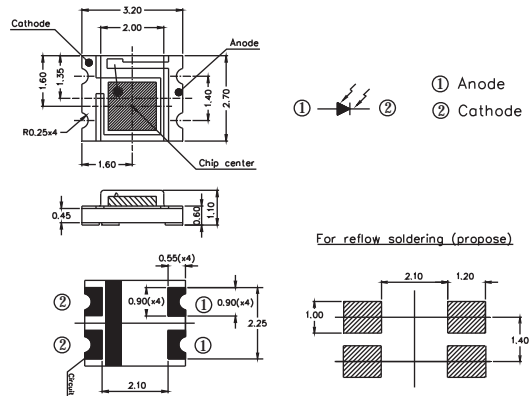
UNIT : mm



Product	Size (LxWxHmm)	λ_p (nm)	I_L Min (μA)	I_L Typ (μA)	BVR_Min.(V)	ID_Max (nA)
PD15-21B/TR8	3.2x1.5x1.1	940	0.2	0.8	32	10

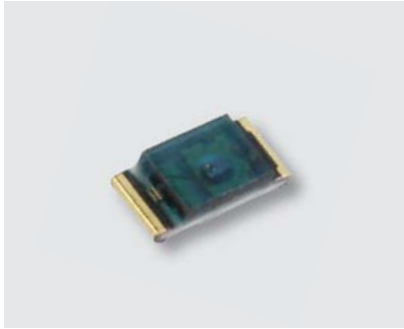


UNIT : mm

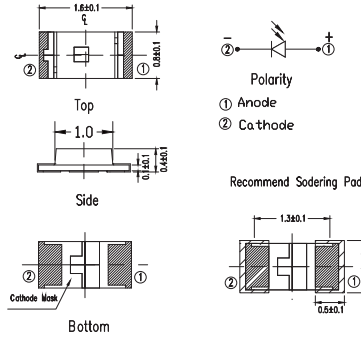


Product	Size (LxWxHmm)	λ_p (nm)	I_L Min (μA)	I_L Typ (μA)	BVR_Min.(V)	ID_Max (nA)
PD15-22C/TR8	3.2x2.7x1.1	940	4.2	6.5	32	10

Infrared LED and Silicon Detector | Photo Diode | SMD



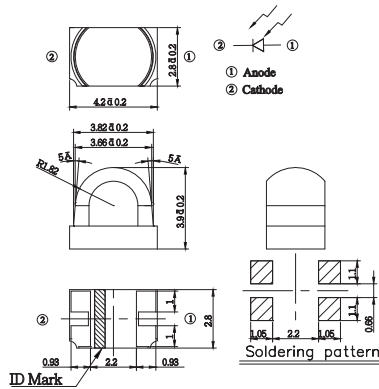
UNIT : mm



Product	Size (LxWxHmm)	λ_P (nm)	I_L Min (μA)	I_L Typ (μA)	BVR_Min.(V)	ID_Max (nA)
PD19-217B/TR8	1.6x0.8x0.4	940	0.1	0.3	32	10



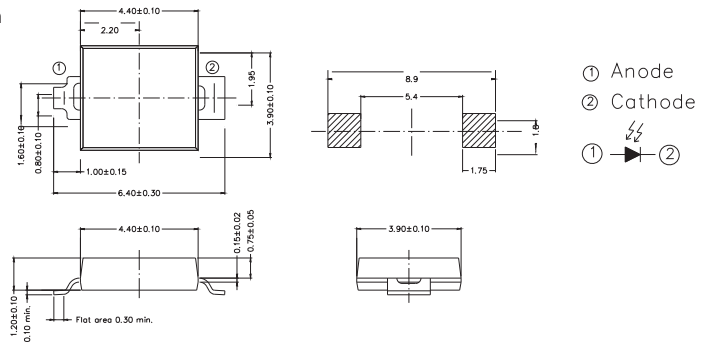
UNIT : mm



Product	Size (LxWxHmm)	λ_P (nm)	I_L Min (μA)	I_L Typ (μA)	BVR_Min.(V)	ID_Max (nA)
PD28-01B/L609/2R	4.2x2.8x3.9	940	20	25	32	30



UNIT : mm

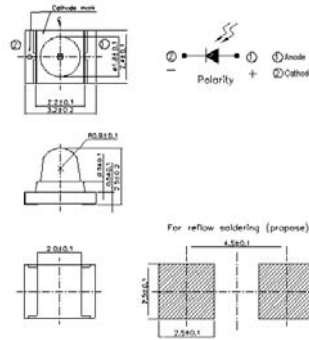


Product	Size (LxWxHmm)	λ_P (nm)	I_L Min (μA)	I_L Typ (μA)	BVR_Min.(V)	ID_Max (nA)
PD70-01B/TR7	4.4x3.9x1.2	940	17	25	32	30
PD70-01C/TR7	4.4x3.9x1.2	940	17	25	32	30

Infrared LED and Silicon Detector | Photo Diode | SMD



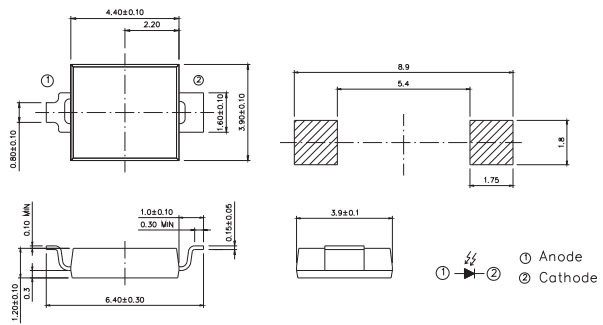
UNIT : mm



Product	Size (LxWxHmm)	λ_p (nm)	I_L Min (μA)	I_L Typ (μA)	BVR_Min.(V)	ID_Max (nA)
PD42-21B/TR8	3.2x2.4x2.6	940	2	4	32	10
PD42-21C/TR8	3.2x2.4x2.6	940	2	5	32	10



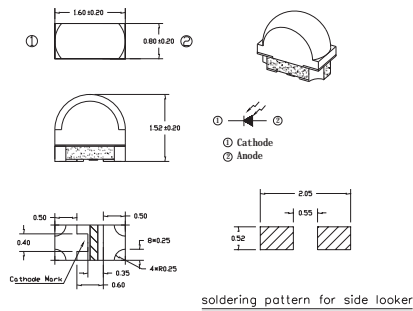
UNIT : mm



Product	Size (LxWxHmm)	λ_p (nm)	I_L Min (μA)	I_L Typ (μA)	BVR_Min.(V)	ID_Max (nA)
PD70-01B/TR10	4.4x3.9x1.2	940	17	25	32	30
PD70-01C/TR10	4.4x3.9x1.2	940	17	25	32	30



UNIT : mm

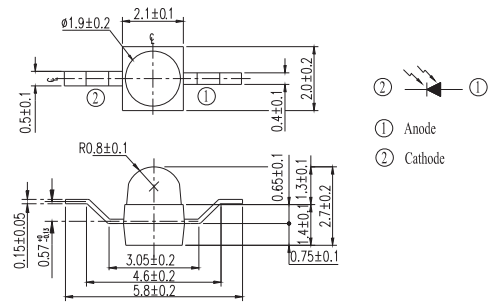


Product	Size (LxWxHmm)	λ_p (nm)	I_L Min (μA)	I_L Typ (μA)	BVR_Min.(V)	ID_Max (nA)
PD83-01B/L458/TR8	1.6x0.8x1.52	940	1.14	2.4	32	10

Infrared LED and Silicon Detector | Photo Diode | SMD



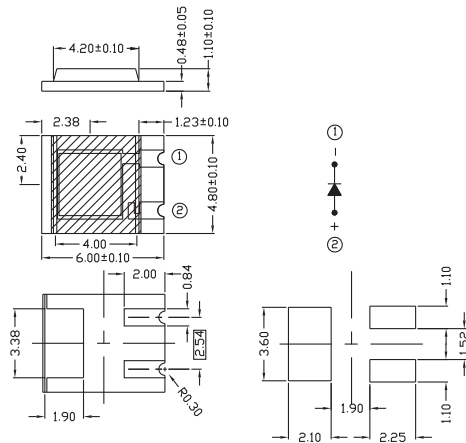
UNIT : mm



Product	Size (LxWxHmm)	λ_P (nm)	I_L Min (μA)	I_L Typ (μA)	BVR_Min.(V)	ID_Max (nA)
PD95-21B/TR10	2.1x2x2.7	940	1	4	32	10



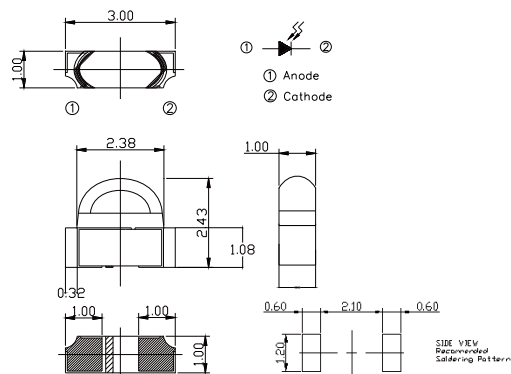
UNIT : mm



Product	Size (LxWxHmm)	λ_P (nm)	I_L _Min (μA)	I_L _Typ (μA)	BVR_Min (V)	ID_Max (nA)
PD60-48C/TR8	6x4.8x1.1	940	17	33.5	33	20



UNIT : mm

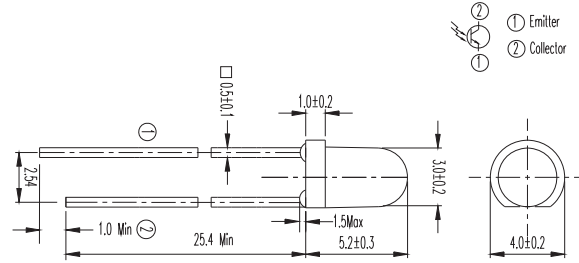


Product	Size (LxWxHmm)	λ_P (nm)	I_L Min (μA)	I_L Typ (μA)	BVR_Min.(V)	ID_Max (nA)
PD26-91B/L458/2C	3x2.43x1	900	-	2	33	10

Infrared LED and Silicon Detector | Photo Transistor | DIP



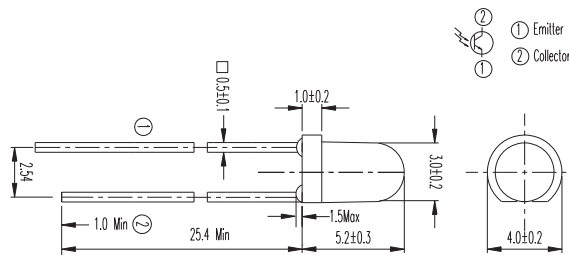
UNIT : mm



Product	Size (mm)	λ_p (nm)	$V_{CE(SAT_Max)}$ (V)	$I_{C(ON_Min)}$ (mA)	$I_{C(ON_Typ)}$ (mA)	$I_{C(ON_Max)}$ (mA)
PT204-6C	3	940	0.4	0.7	2	--



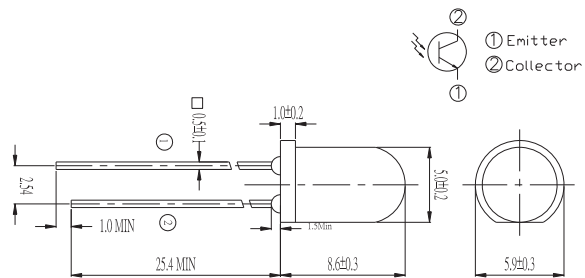
UNIT : mm



Product	Size (mm)	λ_p (nm)	$V_{CE(SAT_Max)}$ (V)	$I_{C(ON_Min)}$ (mA)	$I_{C(ON_Typ)}$ (mA)	$I_{C(ON_Max)}$ (mA)
PT204-6B	3	940	0.4	0.7	--	5.07

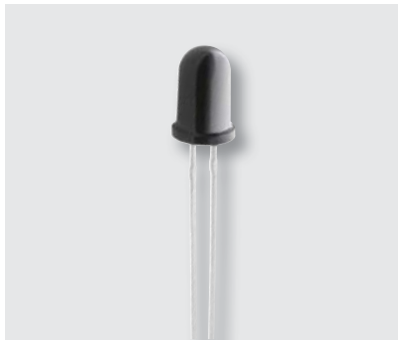


UNIT : mm

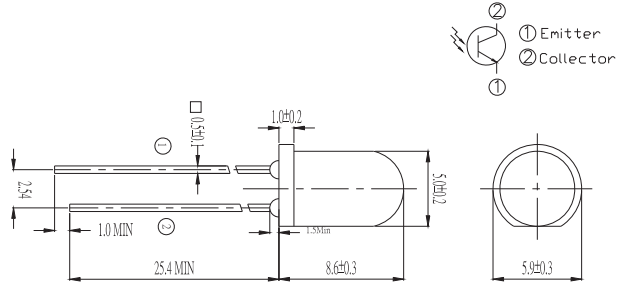


Product	Size (mm)	λ_p (nm)	$V_{CE(SAT_Max)}$ (V)	$I_{C(ON_Min)}$ (mA)	$I_{C(ON_Typ)}$ (mA)	$I_{C(ON_Max)}$ (mA)
PT333-3C	5	940	0.4	0.7	4	--

Infrared LED and Silicon Detector | Photo Transistor | DIP



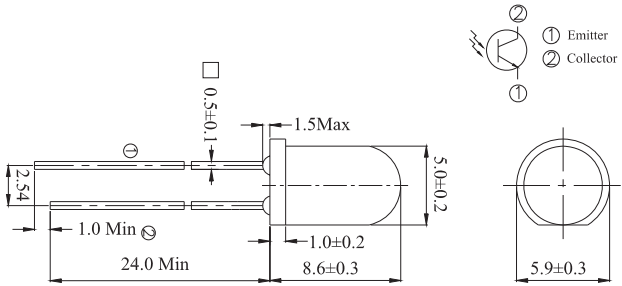
UNIT : mm



Product	Size (mm)	λ_p (nm)	$V_{CE(SAT_Max)}$ (V)	$I_{C(ON_Min)}$ (mA)	$I_{C(ON_Typ)}$ (mA)	$I_{C(ON_Max)}$ (mA)
PT333-3B	5	940	0.4	0.7	3	--



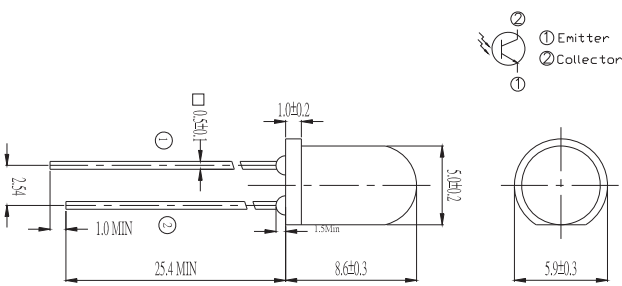
UNIT : mm



Product	Size (mm)	λ_p (nm)	$V_{CE(SAT_Max)}$ (V)	$I_{C(ON_Min)}$ (mA)	$I_{C(ON_Typ)}$ (mA)	$I_{C(ON_Max)}$ (mA)
PT334-6C	5	940	0.4	1.77	3.5	--

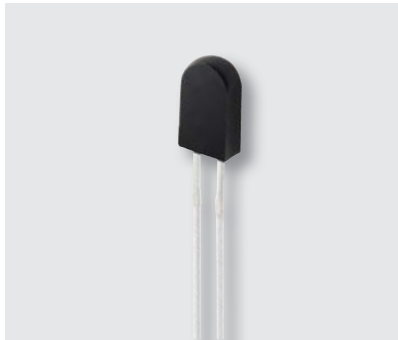


UNIT : mm

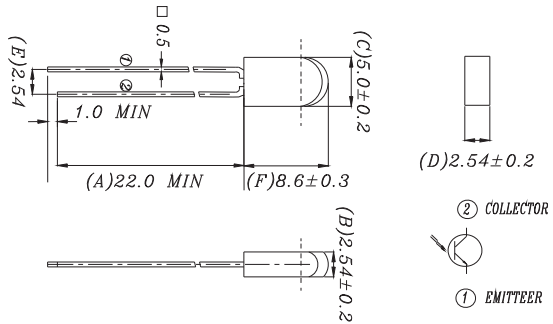


Product	Size (mm)	λ_p (nm)	$V_{CE(SAT_Max)}$ (V)	$I_{C(ON_Min)}$ (mA)	$I_{C(ON_Typ)}$ (mA)	$I_{C(ON_Max)}$ (mA)
PT334-6B	5	940	0.4	0.7	2	--

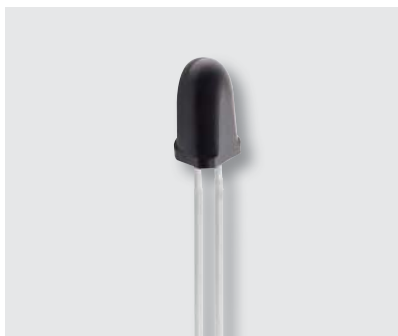
Infrared LED and Silicon Detector | Photo Transistor | DIP



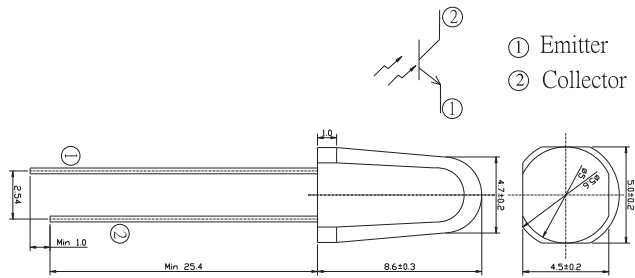
UNIT : mm



Product	Size (mm)	λ_p (nm)	$V_{CE(SAT_Max)}$ (V)	$I_{C(ON_Min)}$ (mA)	$I_{C(ON_Typ)}$ (mA)	$I_{C(ON_Max)}$ (mA)
PT534-6B	5	940	0.4	0.7	1.2	--



UNIT : mm

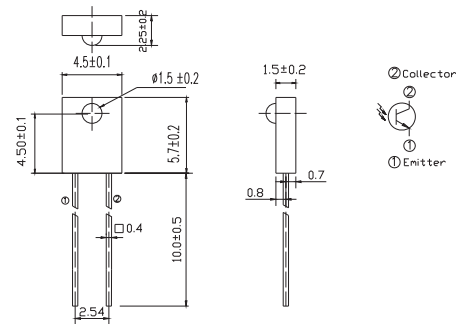


Product	Size (mm)	λ_p (nm)	$V_{CE(SAT_Max)}$ (V)	$I_{C(ON_Min)}$ (mA)	$I_{C(ON_Typ)}$ (mA)	$I_{C(ON_Max)}$ (mA)
PT1504-6B	5	940	0.4	1.77	4	--

Infrared LED and Silicon Detector | Photo Transistor | Side Look



UNIT : mm

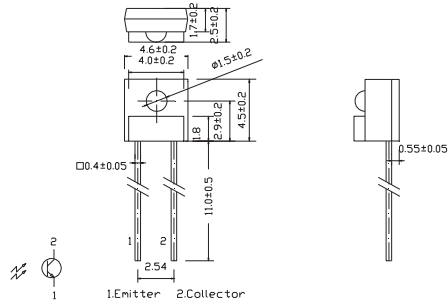


Product	Size (LxWxHmm)	λ_p (nm)	Rise / Fall Time (μs)	$V_{CE(SAT_Max)}$ (V)	$I_{C(ON_Min)}$ (mA)	$I_{C(ON_Typ)}$ (mA)	$I_{C(ON_Max)}$ (mA)
PT908-7B-F	4.5x2.25x5.7	940	15 / 15	0.4	0.8	--	5
PT908-7C-F	4.5x2.25x5.7	940	15 / 15	0.4	0.8	--	5

Infrared LED and Silicon Detector | Photo Transistor | Side Look



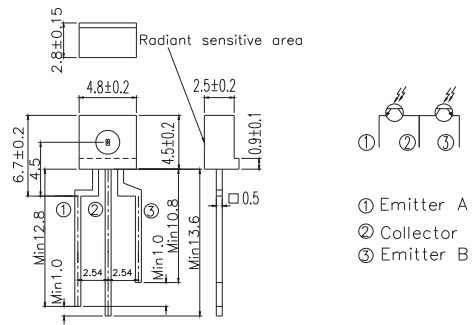
UNIT : mm



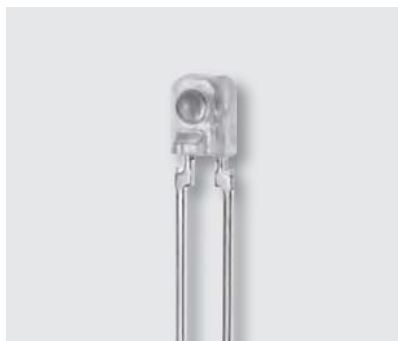
Product	Size (LxWxHmm)	λ_p (nm)	Rise / Fall Time (μ s)	$V_{CE(SAT)}_{Max}$ (V)	$I_{C(ON)}_{Min}$ (mA)	$I_{C(ON)}_{Typ}$ (mA)	$I_{C(ON)}_{Max}$ (mA)
PT928-6B-F	4.6x2.5x4.5	940	15 / 15	0.4	0.53	--	3.41
PT928-6C-F	4.6x2.5x4.5	940	15 / 15	0.4	0.53	--	3.41



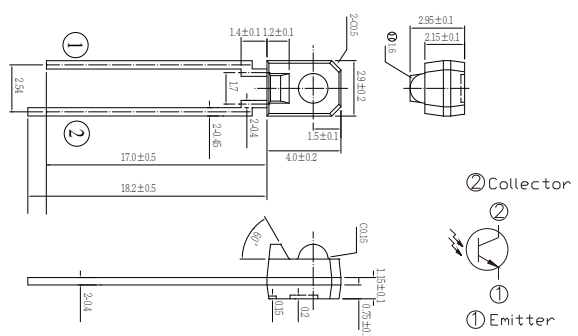
UNIT : mm



Product	Size (LxWxHmm)	λ_p (nm)	Rise / Fall Time (μ s)	$V_{CE(SAT)}_{Max}$ (V)	$I_{C(ON)}_{Min}$ (mA)	$I_{C(ON)}_{Typ}$ (mA)	$I_{C(ON)}_{Max}$ (mA)
PT2559B/L2-F	4.8x2.8x4.5	940	15 / 15	0.4	0.129	--	1.085
PT2559B/L2/H2-F	4.8x2.8x4.5	940	15 / 15	0.4	0.129	--	1.085
PT5529B/L2-F	4.8x2.8x4.5	940	15 / 15	0.4	0.129	--	1.085
PT5529B/L2/H2-F	4.8x2.8x4.5	940	15 / 15	0.4	0.129	--	1.085

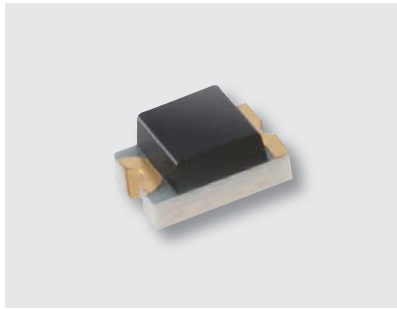


UNIT : mm

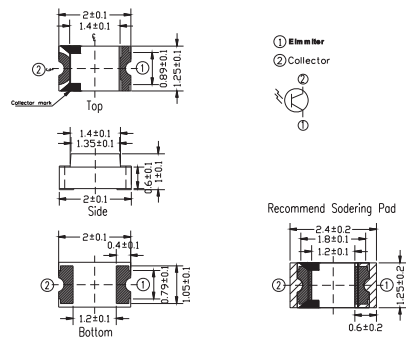


Product	Size (LxWxHmm)	λ_p (nm)	Rise / Fall Time (μ s)	$V_{CE(SAT)}_{Max}$ (V)	$I_{C(ON)}_{Min}$ (mA)	$I_{C(ON)}_{Typ}$ (mA)	$I_{C(ON)}_{Max}$ (mA)
PT968-8C	2.9x2.9x4	940	15 / 15	0.4	1.59	--	3.41

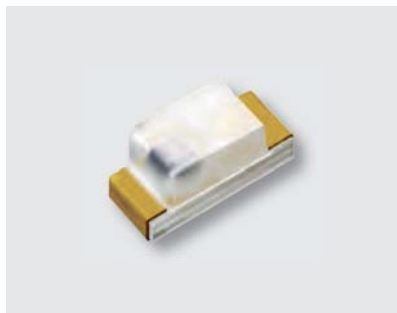
Infrared LED and Silicon Detector | Photo Transistor | SMD



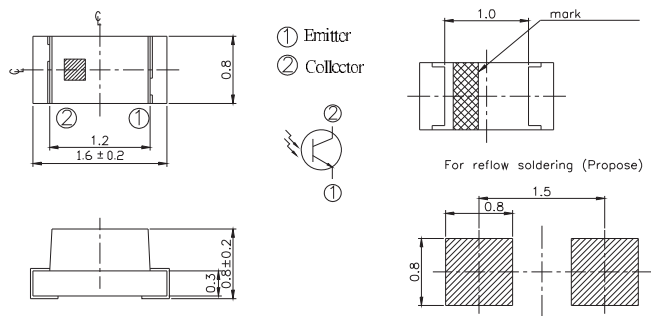
UNIT : mm



Product	Size (LxWxHmm)	λ_p (nm)	$V_{CE(SAT_Max)}$ (V)	$I_{C(ON_Min)}$ (mA)	$I_{C(ON_Typ)}$ (mA)	$I_{C(ON_Max)}$ (mA)
PT17-21B/L41/TR8	2x1.25x1.0	940	0.4	0.1	0.65	--
PT17-21C/L41/TR8	2x1.25x1.0	940	0.4	0.3	1	--



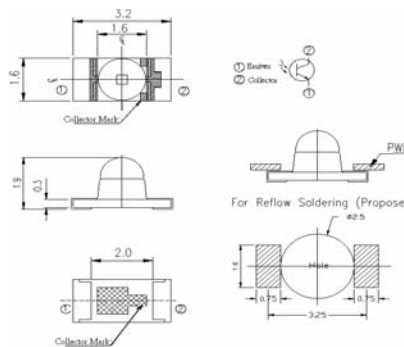
UNIT : mm



Product	Size (LxWxHmm)	λ_p (nm)	$V_{CE(SAT_Max)}$ (V)	$I_{C(ON_Min)}$ (mA)	$I_{C(ON_Typ)}$ (mA)	$I_{C(ON_Max)}$ (mA)
PT19-21B/L41/TR8	1.6x0.8x0.8	940	0.4	0.3	0.6	--
PT19-21C/L41/TR8	1.6x0.8x0.8	940	0.4	0.3	0.6	--



UNIT : mm

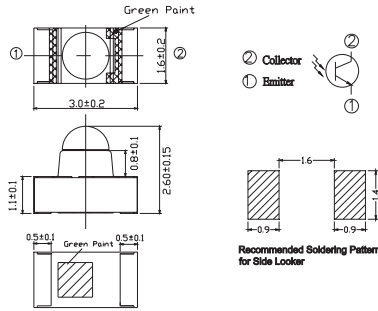


Product	Size (LxWxHmm)	λ_p (nm)	$V_{CE(SAT_Max)}$ (V)	$I_{C(ON_Min)}$ (mA)	$I_{C(ON_Typ)}$ (mA)	$I_{C(ON_Max)}$ (mA)
PT26-21B/TR8	3.2x1.6x1.9	940	0.4	--	2.6	--
PT26-21C/TR8	3.2x1.6x1.9	940	0.4	0.3	2.6	--

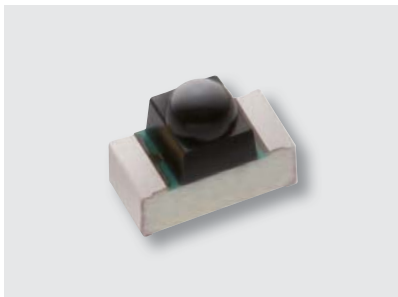
Infrared LED and Silicon Detector | Photo Transistor | SMD



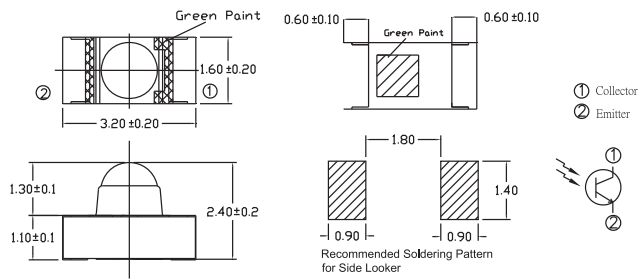
UNIT : mm



Product	Size (LxWxHmm)	λ_p (nm)	$V_{CE(SAT)}_{Max}$ (V)	$I_{C(ON)}_{Min}$ (mA)	$I_{C(ON)}_{Typ}$ (mA)	$I_{C(ON)}_{Max}$ (mA)
PT26-51B/TR8	3.0x1.6x2.6	940	0.4	--	1	--



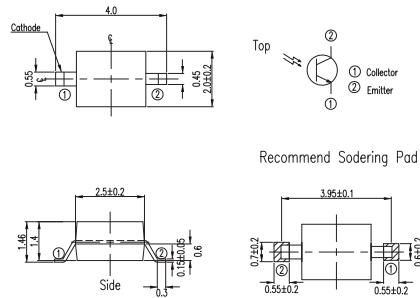
UNIT : mm



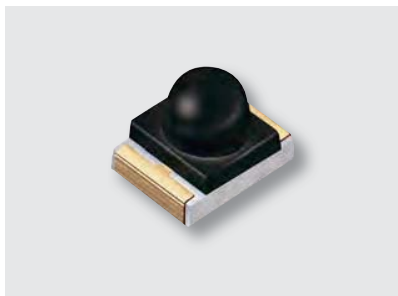
Product	Size (LxWxHmm)	λ_p (nm)	$V_{CE(SAT)}_{Max}$ (V)	$I_{C(ON)}_{Min}$ (mA)	$I_{C(ON)}_{Typ}$ (mA)	$I_{C(ON)}_{Max}$ (mA)
PT26-71B/TR8	3.2x1.6x2.4	920	0.4	1.14	3	--



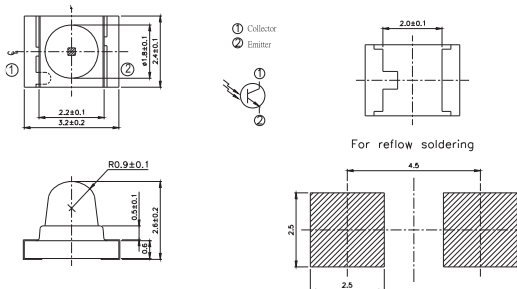
UNIT : mm



Product	Size (LxWxHmm)	λ_p (nm)	$V_{CE(SAT)}_{Max}$ (V)	$I_{C(ON)}_{Min}$ (mA)	$I_{C(ON)}_{Typ}$ (mA)	$I_{C(ON)}_{Max}$ (mA)
PT28-21B/TR8	2.5x2.0x1.4	940	0.4	0.1	0.3	-



UNIT : mm

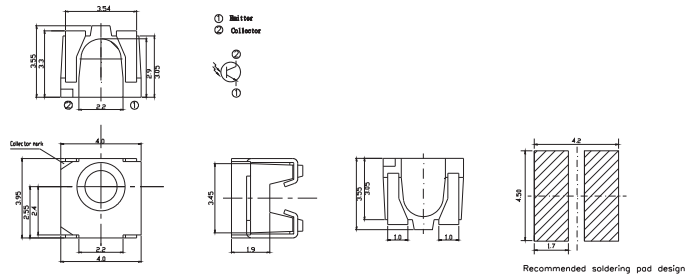


Product	Size (LxWxHmm)	λ_p (nm)	$V_{CE(SAT)}_{Max}$ (V)	$I_{C(ON)}_{Min}$ (mA)	$I_{C(ON)}_{Typ}$ (mA)	$I_{C(ON)}_{Max}$ (mA)
PT42-21B/TR8	3.2x2.4x2.6	940	0.4	1.77	3	--

Infrared LED and Silicon Detector | Photo Transistor | SMD



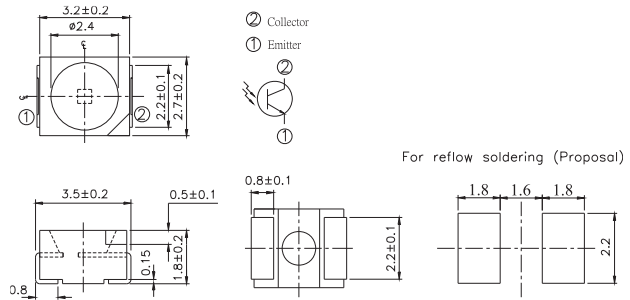
UNIT : mm



Product	Size (LxWxHmm)	λ_P (nm)	$V_{CE(SAT_Max)}$ (V)	$I_{C(ON_Min)}$ (mA)	$I_{C(ON_Typ)}$ (mA)	$I_{C(ON_Max)}$ (mA)
PT57-21B/TR8	4x3.95x3.55	940	0.4	0.4	0.8	5.0



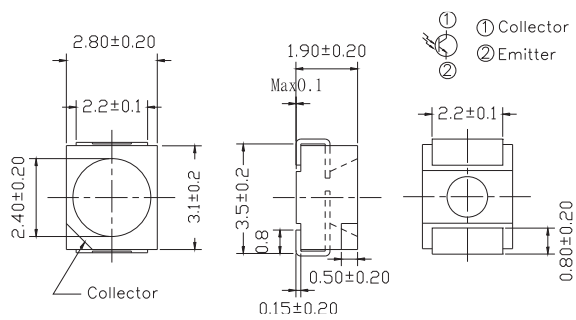
UNIT : mm



Product	Size (LxWxHmm)	λ_P (nm)	$V_{CE(SAT_Max)}$ (V)	$I_{C(ON_Min)}$ (mA)	$I_{C(ON_Typ)}$ (mA)	$I_{C(ON_Max)}$ (mA)
PT67-21B/C14/TR8	3.5x2.7x1.8	940	0.4	0.016	--	0.08



UNIT : mm

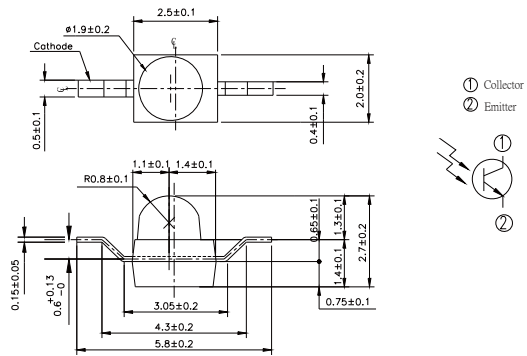


Product	Size (LxWxHmm)	λ_P (nm)	$V_{CE(SAT_Max)}$ (V)	$I_{C(ON_Min)}$ (mA)	$I_{C(ON_Typ)}$ (mA)	$I_{C(ON_Max)}$ (mA)
PT67-21C/L41/TR8	3.5x2.8x1.9	940	0.4	0.3	1	--

Infrared LED and Silicon Detector | Photo Transistor | SMD



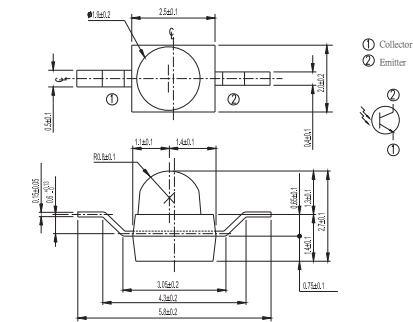
UNIT : mm



Product	Size (LxWxHmm)	λ_p (nm)	$V_{CE(SAT_Max)}$ (V)	$I_{C(ON_Min)}$ (mA)	$I_{C(ON_Typ)}$ (mA)	$I_{C(ON_Max)}$ (mA)
PT91-21B	2.5x2x2.7	940	0.4	1	3	--
PT91-21B/TR10	2.5x2x2.7	940	0.4	1	3	--
PT91-21B/TR7	2.5x2x2.7	940	0.4	1	3	--
PT91-21B/TR9	2.5x2x2.7	940	0.4	1	3	--



UNIT : mm

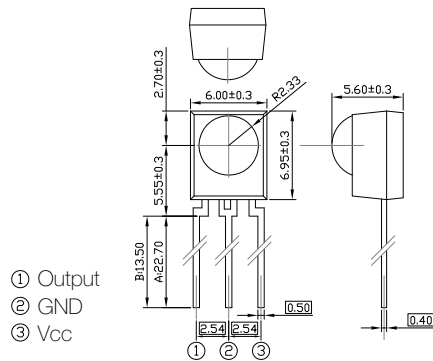


Product	Size (LxWxHmm)	λ_p (nm)	$V_{CE(SAT_Max)}$ (V)	$I_{C(ON_Min)}$ (mA)	$I_{C(ON_Typ)}$ (mA)	$I_{C(ON_Max)}$ (mA)
PT91-21C	2.5x2x2.7	940	0.4	1	1.5	--
PT91-21C/TR10	2.5x2x2.7	940	0.4	1	1.5	--
PT91-21C/TR7	2.5x2x2.7	940	0.4	1	1.5	--

Infrared Receiver Module | DIP | Vout-GND-Vcc



UNIT : mm



Infrared Receiver Module

IRM-36xx

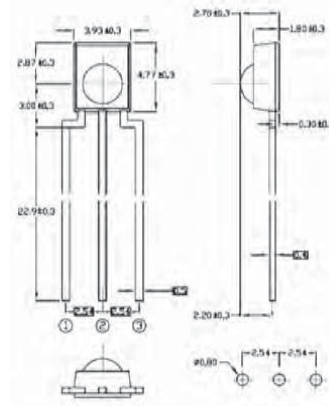
Product	Size (LxWxHmm)	λ_p (nm)	Carrier Freq. (KHz)	Supply Voltage (V)	I_{CC} Typ (mA)	L_{Center} (m)	L_{45} (m)
IRM-36xxT ^(A)	8.25x6.0x5.6	940	36 / 38	2.7~5.5	1	14	6
IRM-36xxM ^(A)	8.25x6.0x5.6	940	36 / 38	2.7~5.5	0.4	14	6
IRM-36xxM2 ^(A)	8.25x6.0x5.6	940	36 / 38 / 40	2.7~5.5	0.4	14	6
IRM-36xxM3 ^(A)	8.25x6.0x5.6	940	36 / 38	2.7~5.5	0.4	14	6
IRM-36xxM6 ^(A)	8.25x6.0x5.6	940	56	2.7~5.5	0.4	14	6
IRM-36xxJ ^(A)	8.25x6.0x5.6	940	38	2.7~5.5	1	14	6
IRM-36xxJ2 ^(A)	8.25x6.0x5.6	940	36 / 38	2.7~5.5	0.4	14	6
IRM-36xxZ ^(A)	8.25x6.0x5.6	940	36 / 38 / 40 / 56	2.5~5.5	0.3	14	6
IRM-36xx ^(A)	8.25x6.0x5.6	940	38	2.7~5.5	1	14	6
IRM-36xxN3 ^(A)	8.25x6.0x5.6	940	38	2.7~5.5	1	14	6
IRM-36xxT-X ^(B)	8.25x6.0x5.6	940	36 / 38	2.7~5.5	1	14	6
IRM-36xxM-X ^(B)	8.25x6.0x5.6	940	36 / 38	2.7~5.5	0.4	14	6
IRM-36xxM2-X ^(B)	8.25x6.0x5.6	940	36 / 38 / 40	2.7~5.5	0.4	14	6
IRM-36xxM3-X ^(B)	8.25x6.0x5.6	940	36 / 38	2.7~5.5	0.4	14	6



Infrared Receiver Module | DIP | Vout-GND-Vcc



UNIT : mm



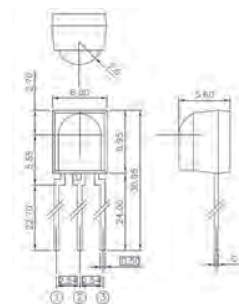
IRM-66xx

Product	Size (LxWxHmm)	λ_p (nm)	Carrier Freq. (KHz)	Supply Voltage (V)	I_{CC} Typ (mA)	L_{Center} (m)	L_{45} (m)
IRM-66xxT	5.87x3.93x2.7	940	36 / 38	2.7~5.5	1	14	6
IRM-66xxM	5.87x3.93x2.7	940	36 / 38 / 40	2.7~5.5	0.4	14	6
IRM-66xxM2	5.87x3.93x2.7	940	40	2.7~5.5	0.4	14	6
IRM-66xxM3	5.87x3.93x2.7	940	36 / 38	2.7~5.5	0.4	14	6
IRM-66xxJ	5.87x3.93x2.7	940	38	2.7~5.5	1	14	6
IRM-66xx	5.87x3.93x2.7	940	38	2.7~5.5	1	14	6
IRM-66xxN3	5.87x3.93x2.7	940	38	2.7~5.5	1	14	6

Infrared Receiver Module



UNIT : mm



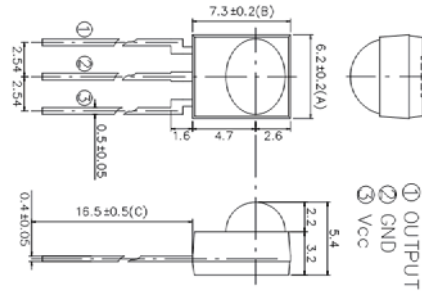
IRM-76xx

Product	Size (LxWxHmm)	λ_p (nm)	Carrier Freq. (KHz)	Supply Voltage (V)	I_{CC} Typ (mA)	L_{Center} (m)	L_{45} (m)
IRM-76xxN3	8.2x6.0x5.6	940	38	2.7~5.5	1	14	6

Infrared Receiver Module | DIP | Vout-GND-Vcc



UNIT : mm



IRM-86xx

Product	Size (LxWxHmm)	λ_p (nm)	Carrier Freq. (KHz)	Supply Voltage (V)	I_{CC} Typ (mA)	L_{Center} (m)	L_{45} (m)
IRM-86xxM2-M	8.9x6.2x5.4	940	38	2.7~5.5	0.4	14	6

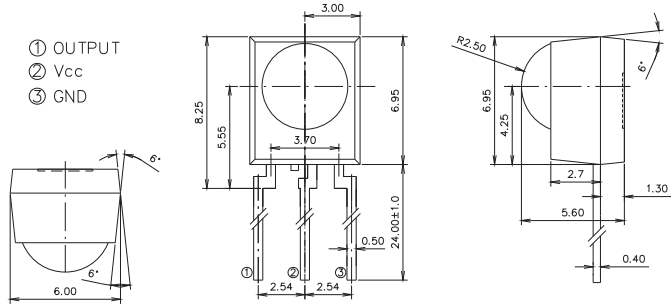


IRM-8600	IRM-86XXX8600

Infrared Receiver Module | DIP | Vout-Vcc-GND



UNIT : mm

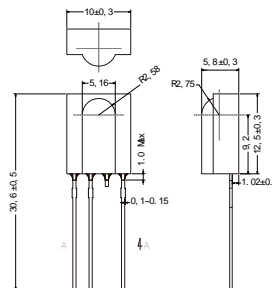


IRM-37xx

Product	Size (LxWxHmm)	λ_p (nm)	Carrier Freq. (KHz)	Supply Voltage (V)	I_{CC} Typ (mA)	L_{Center} (m)	L_{45} (m)
IRM-37xxT	8.25x6.0x5.6	940	36 / 38 / 40 / 56	2.7~5.5	1	14	6
IRM-37xxM	8.25x6.0x5.6	940	36 / 38 / 40	2.7~5.5	0.4	14	6
IRM-37xxM2	8.25x6.0x5.6	940	40	2.7~5.5	0.4	14	6
IRM-37xxM3	8.25x6.0x5.6	940	36 / 38 / 56	2.7~5.5	0.4	14	6
IRM-37xxZ	8.25x6.0x5.6	940	36 / 38 / 56	2.5~5.5	0.3	14	6
IRM-37xx	8.25x6.0x5.6	940	38	2.7~5.5	1	14	6
IRM-37xxN3	8.25x6.0x5.6	940	38	2.7~5.5	1	14	6



UNIT : mm



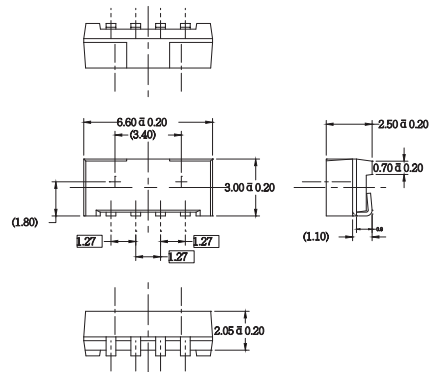
IRM-88xx

Product	Size (LxWxHmm)	λ_p (nm)	Carrier Freq. (KHz)	Supply Voltage (V)	I_{CC} Typ (mA)	L_{Center} (m)	L_{45} (m)
IRM-88xxM3	30.6x10x5.8	940	38	2.7~5.5	0.4	14	6

Infrared Receiver Module | SMD | Side -View



UNIT : mm



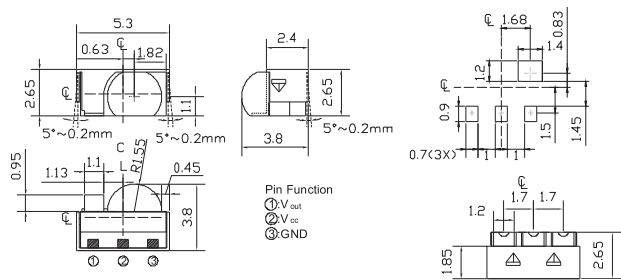
IRM-V3xx

Product	Size (LxWxHmm)	λ_p (nm)	Carrier Freq. (KHz)	Supply Voltage (V)	I_{CC} Typ (mA)	L_{Center} (m)	L_{45} (m)
IRM-V3xxM3	6.6x3x2.5	940	38	2.7~5.5	0.4	14	6

Infrared Receiver Module



UNIT : mm



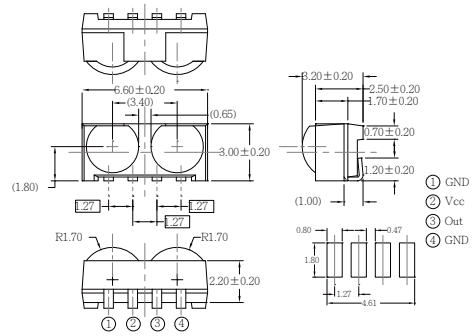
IRM-V5xx

Product	Size (LxWxHmm)	λ_p (nm)	Carrier Freq. (KHz)	Supply Voltage (V)	I_{CC} Typ (mA)	L_{Center} (m)	L_{45} (m)
IRM-V5xxT	5.3x3.8x2.65	940	38	2.7~5.5	1	14	6
IRM-V5xxM	5.3x3.8x2.65	940	36 / 38	2.7~5.5	0.4	14	6
IRM-V5xxM2	5.3x3.8x2.65	940	36 / 38 / 40	2.7~5.5	0.4	14	6
IRM-V5xxM3	5.3x3.8x2.65	940	36 / 38	2.7~5.5	0.4	14	6
IRM-V5xx	5.3x3.8x2.65	940	38	2.7~5.5	1	14	6

Infrared Receiver Module | SMD | Side -View



UNIT : mm

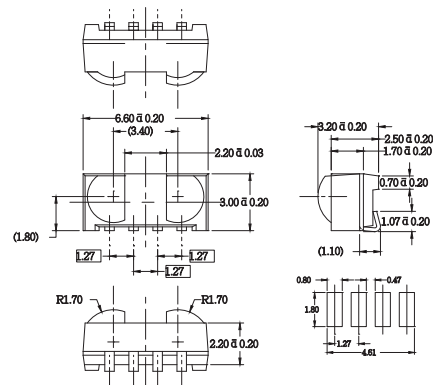


IRM-V8xx

Product	Size (LxWxHmm)	λ_p (nm)	Carrier Freq. (KHz)	Supply Voltage (V)	I_{CC} Typ (mA)	L_{Center} (m)	L_{45} (m)
IRM-V8xxT	6.6x3x3.2	940	36 / 38 / 56	2.7~5.5	1	14	6
IRM-V8xxM	6.6x3x3.2	940	36 / 38	2.7~5.5	0.4	14	6
IRM-V8xxM2	6.6x3x3.2	940	38	2.7~5.5	0.4	14	6
IRM-V8xxM3	6.6x3x3.2	940	36 / 38 / 56	2.7~5.5	0.4	14	6
IRM-V8xxJ	6.6x3x3.2	940	36 / 38	2.7~5.5	1	14	6
IRM-V8xxJ2	6.6x3x3.2	940	36 / 38	2.7~5.5	0.4	14	6



UNIT : mm



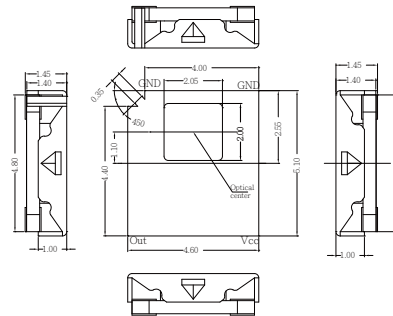
IRM-V8xx-C

Product	Size (LxWxHmm)	λ_p (nm)	Carrier Freq. (KHz)	Supply Voltage (V)	I_{CC} Typ (mA)	L_{Center} (m)	L_{45} (m)
IRM-V8xxM3-C	6.6x3x3.2	940	38	2.7~5.5	0.4	14	6

Infrared Receiver Module | SMD | Top -View



UNIT : mm



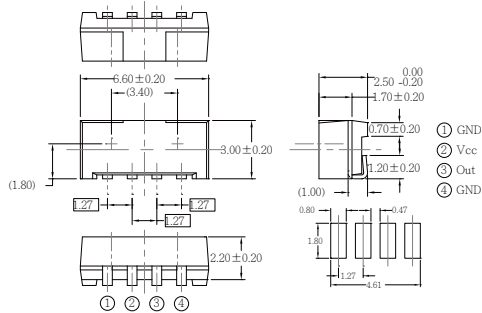
IRM-H2xx

Product	Size (LxWxHmm)	λ_p (nm)	Carrier Freq. (KHz)	Supply Voltage (V)	I_{CC} Typ (mA)	L_{Center} (m)	L_{45} (m)
IRM-H2xxT	5.1x4.6x1.45	940	36 / 38	2.7~5.5	1	14	6
IRM-H2xxM2	5.1x4.6x1.45	940	36 / 38 / 40	2.7~5.5	0.4	14	6
IRM-H2xxM3	5.1x4.6x1.45	940	36 / 38	2.7~5.5	0.4	14	6
IRM-H2xxZ	5.1x4.6x1.45	940	38	2.5~5.5	0.3	14	6

Infrared Receiver Module



UNIT : mm



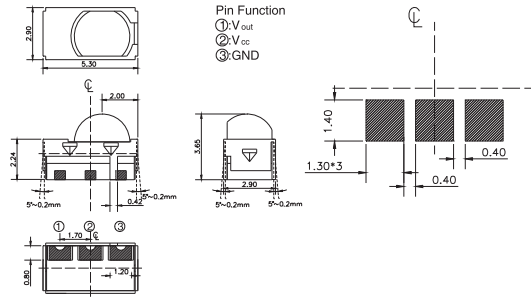
IRM-H3xx

Product	Size (LxWxHmm)	λ_p (nm)	Carrier Freq. (KHz)	Supply Voltage (V)	I_{CC} Typ (mA)	L_{Center} (m)	L_{45} (m)
IRM-H3xxM3	6.6x3x2.5	940	36 / 38	2.7~5.5	0.4	14	6
IRM-H3xxJ	6.6x3x2.5	940	38	2.7~5.5	1	14	6

Infrared Receiver Module | SMD | Top -View



UNIT : mm

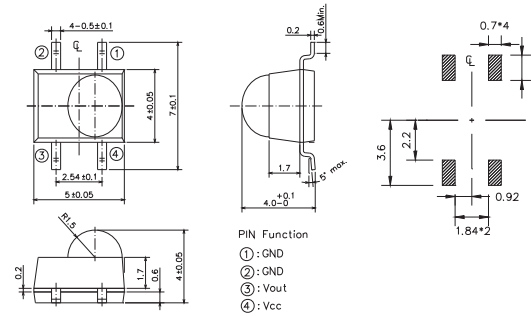


IRM-H5xx

Product	Size (LxWxHmm)	λ_p (nm)	Carrier Freq. (KHz)	Supply Voltage (V)	I _{CC} Typ (mA)	L _{Center} (m)	L ₄₅ (m)
IRM-H5xxT	5.3x2.9x3.65	940	38	2.7~5.5	1	14	6
IRM-H5xxM	5.3x2.9x3.65	940	38	2.7~5.5	0.4	14	6
IRM-H5xxM3	5.3x2.9x3.65	940	36 / 38	2.7~5.5	0.4	14	6
IRM-H5xx	5.3x2.9x3.65	940	36 / 38	2.7~5.5	1	14	6



UNIT : mm



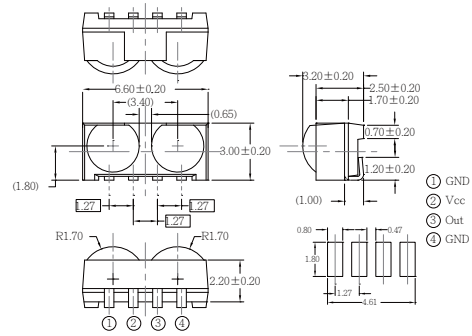
IRM-H6xx

Product	Size (LxWxHmm)	λ_p (nm)	Carrier Freq. (KHz)	Supply Voltage (V)	I _{CC} Typ (mA)	L _{Center} (m)	L ₄₅ (m)
IRM-H6xxT	5x4x4	940	38	2.7~5.5	1	14	6
IRM-H6xxM	5x4x4	940	36 / 38	2.7~5.5	0.4	14	6
IRM-H6xxM3	5x4x4	940	36 / 38	2.7~5.5	0.4	14	6
IRM-H6xx	5x4x4	940	38	2.7~5.5	1	14	6

Infrared Receiver Module | SMD | Top -View



UNIT : mm

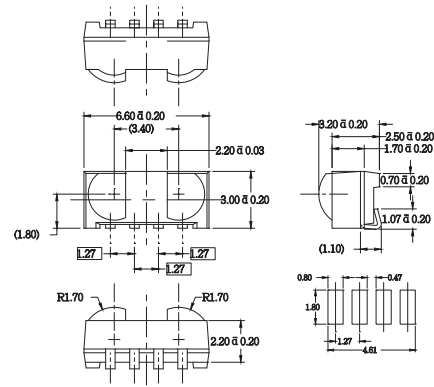


IRM-H8xx

Product	Size (LxWxHmm)	λ_p (nm)	Carrier Freq. (KHz)	Supply Voltage (V)	I_{CC} Typ (mA)	L_{Center} (m)	L_{45} (m)
IRM-H8xxM	6.6x3x3.2	940	36 / 38 / 56	2.7~5.5	0.4	14	6
IRM-H8xxM3	6.6x3x3.2	940	36 / 38 / 56	2.7~5.5	0.4	14	6
IRM-H8xxJ	6.6x3x3.2	940	36 / 38	2.7~5.5	1	14	6



UNIT : mm



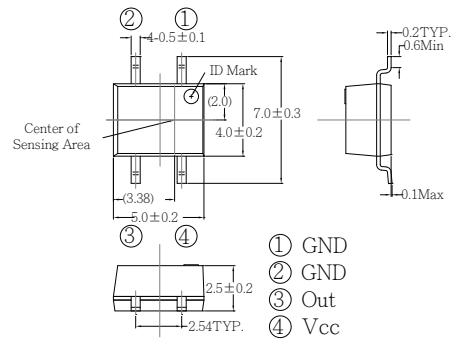
IRM-H8xx-C

Product	Size (LxWxHmm)	λ_p (nm)	Carrier Freq. (KHz)	Supply Voltage (V)	I_{CC} Typ (mA)	L_{Center} (m)	L_{45} (m)
IRM-H8xxM3-C	6.6x3x3.2	940	36 / 38 / 56	2.7~5.5	0.4	14	6
IRM-H8xxZ-C	6.6x3x3.2	940	36 / 38	2.5~5.5	0.3	14	6

Infrared Receiver Module | Standard Burst | SMD



UNIT : mm



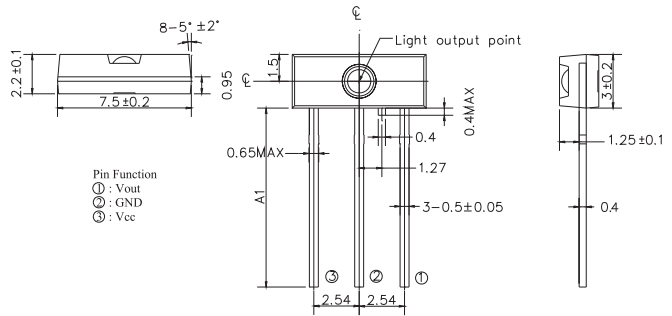
IRM-H9xx

Product	Size (LxWxHmm)	λ_p (nm)	Carrier Freq. (KHz)	Supply Voltage (V)	I_{CC} Typ (mA)	L_{Center} (m)	L_{45} (m)
IRM-H9xxT	5x4x2.5	940	36 / 38 / 40	2.7~5.5	1	14	6
IRM-H9xxM3	5x4x2.5	940	36 / 38	2.7~5.5	0.4	14	6
IRM-H9xx	5x4x2.5	940	38	2.7~5.5	1	14	6

Optic-Fiber Device (Photo Link) | Receiver (PLR) Component



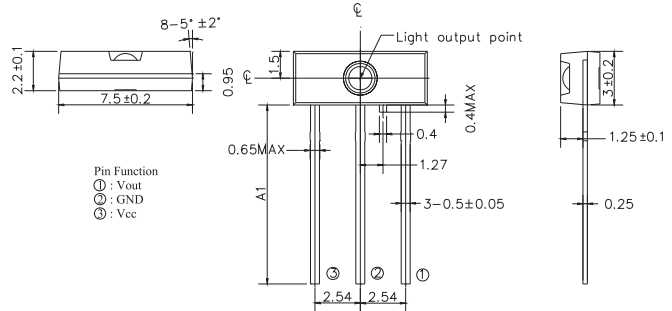
UNIT : mm



Product	Size (LxWxHmm)	Fiber Coupling Receiver Power_ Max (dBm)	Fiber Coupling Receiver Power_ Min (dBm)	Operation Voltage (V)	Plastic Holder	Trans - mission Speed (Mb/s)	L/F Thicknes (mm)
PLR135	7.5x3x2.2	-14	-27	2.4~5.5	None	16	0.4
PLR233	7.5x3x2.2	-14	-27	2.4~5.5	None	25	0.4



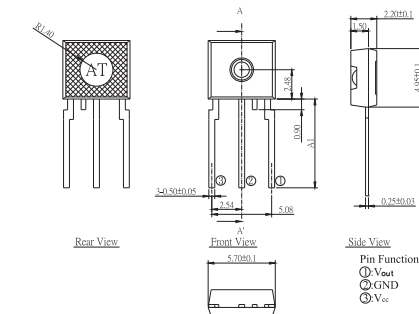
UNIT : mm



Product	Size (LxWxHmm)	Fiber Coupling Receiver Power_ Max (dBm)	Fiber Coupling Receiver Power_ Min (dBm)	Operation Voltage (V)	Plastic Holder	Trans - mission Speed (Mb/s)	L/F Thicknes (mm)
PLR137	7.5x3x2.2	-14	-27	2.4~5.5	None	16	0.25
PLR237	7.5x3x2.2	-14	-27	2.4~5.5	None	25	0.25



UNIT : mm



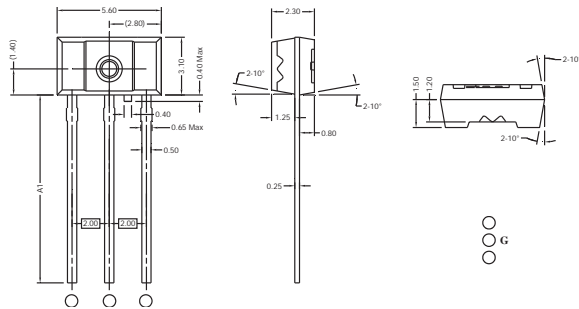
Product	Size (LxWxHmm)	Fiber Coupling Receiver Power_ Max (dBm)	Fiber Coupling Receiver Power_ Min (dBm)	Operation Voltage (V)	Plastic Holder	Trans - mission Speed (Mb/s)	L/F Thicknes (mm)
PLR155	5.7x4.95x2.2	-14	-27	2.4~5.5	None	16	0.25
PLR253	5.7x4.95x2.2	-14	-27	2.4~5.5	None	25	0.25

Optic-Fiber Device (Photo Link)

Optic-Fiber Device (Photo Link) | Receiver (PLR) Component



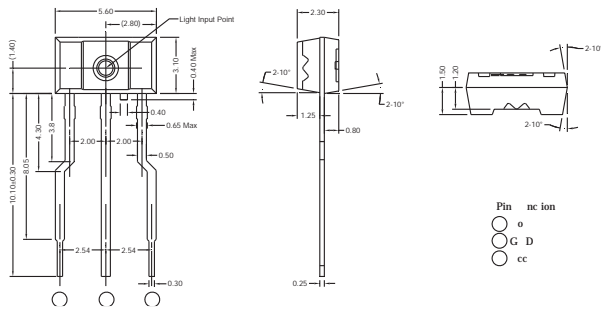
UNIT : mm



Product	Size (LxWxHmm)	Fiber Coupling Receiver Power_ Max (dBm)	Fiber Coupling Receiver Power_ Min (dBm)	Operation Voltage (V)	Plastic Holder	Trans - mission Speed (Mb/s)	L/F Thicknes (mm)
PLR162	5.6x3.1x2.3	-14	-27	2.4~5.5	None	16	0.25
PLR262	5.6x3.1x2.3	-14	-27	2.4~5.5	None	25	0.25



UNIT : mm



Product	Size (LxWxHmm)	Fiber Coupling Receiver Power_ Max (dBm)	Fiber Coupling Receiver Power_ Min (dBm)	Operation Voltage (V)	Plastic Holder	Trans - mission Speed (Mb/s)	L/F Thicknes (mm)
PLR162M	5.6x3.1x2.3	-14	-27	2.4~5.5	None	16	0.25

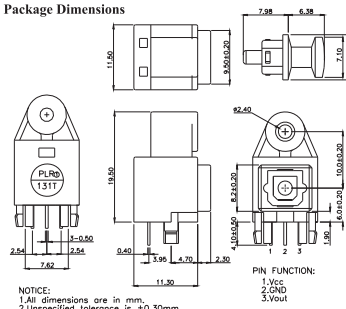
Optic-Fiber Device (Photo Link)

Optic-Fiber Device (Photo Link) | Receiver (PLR) Module

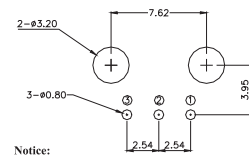


UNIT : mm

Package Dimensions



PCB Layout for Electrical Circuit

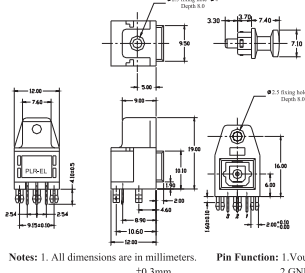


Product	Size (LxWxHmm)	Fiber Coupling Receiver Power_ Max (dBm)	Fiber Coupling Receiver Power_ Min (dBm)	Operation Voltage (V)	Plastic Holder	Trans - mission Speed (Mb/s)	L/F Thicknes (mm)
PLR135/T	11.5x13.6x19.5	-14	-27	2.4~5.5	Yes	16	0.4

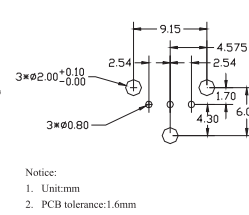


UNIT : mm

Package Dimensions



PCB Layout for Electrical Circuit

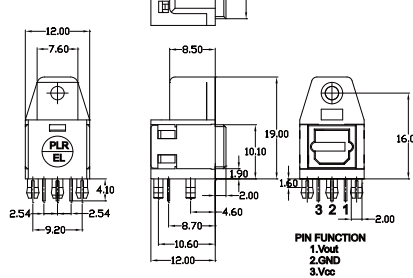


Product	Size (LxWxHmm)	Fiber Coupling Receiver Power_ Max (dBm)	Fiber Coupling Receiver Power_ Min (dBm)	Operation Voltage (V)	Plastic Holder	Trans - mission Speed (Mb/s)	L/F Thicknes (mm)
PLR135/T2	12.0x14.0x19.0	-14	-27	2.4~5.5	Yes	16	0.4

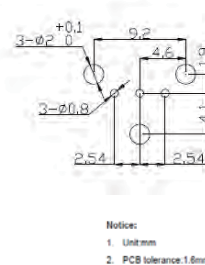


UNIT : mm

unit:mm
Tolerance:±0.10mm



PCB Layout for Electrical Circuit



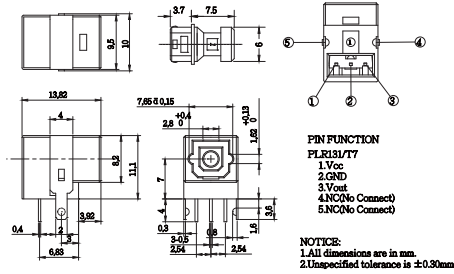
Product	Size (LxWxHmm)	Fiber Coupling Receiver Power_ Max (dBm)	Fiber Coupling Receiver Power_ Min (dBm)	Operation Voltage (V)	Plastic Holder	Trans - mission Speed (Mb/s)	L/F Thicknes (mm)
PLR135/T5	12.0x14.0x19.0	-14	-27	2.4~5.5	Yes	16	0.4

Optic-Fiber Device (Photo Link)

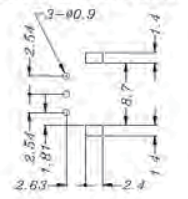
Optic-Fiber Device (Photo Link) | Receiver (PLR) Module



UNIT : mm



PCB Layout for Electrical Circuit

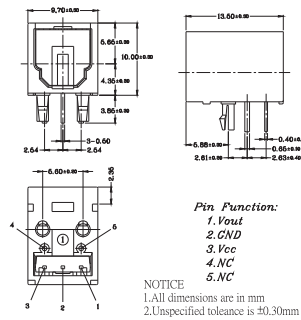


Notice:
 1. Unit:mm
 2. PCB tolerance:1.6mm

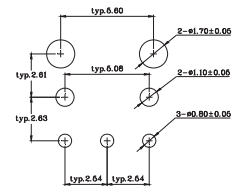
Product	Size (LxWxHmm)	Fiber Coupling Receiver Power_ Max (dBm)	Fiber Coupling Receiver Power_ Min (dBm)	Operation Voltage (V)	Plastic Holder	Trans - mission Speed (Mb/s)	L/F Thicknes (mm)
PLR135/T7	10.0x13.82x11.1	-14	-27	2.4~5.5	Yes	16	0.4



UNIT : mm



PCB Layout for Electrical Circuit



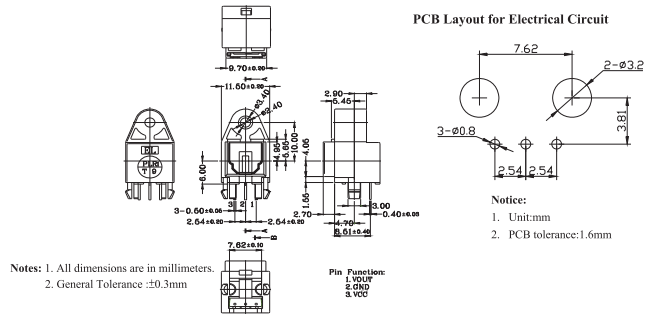
Notice:
 1. Unit:mm
 2. PCB tolerance:1.6mm

Product	Size (LxWxHmm)	Fiber Coupling Receiver Power_ Max (dBm)	Fiber Coupling Receiver Power_ Min (dBm)	Operation Voltage (V)	Plastic Holder	Trans - mission Speed (Mb/s)	L/F Thicknes (mm)
PLR135/T8	9.7x13.5x10	-14	-27	2.4~5.5	Yes	16	0.4

Optic-Fiber Device (Photo Link) | Receiver (PLR) Module



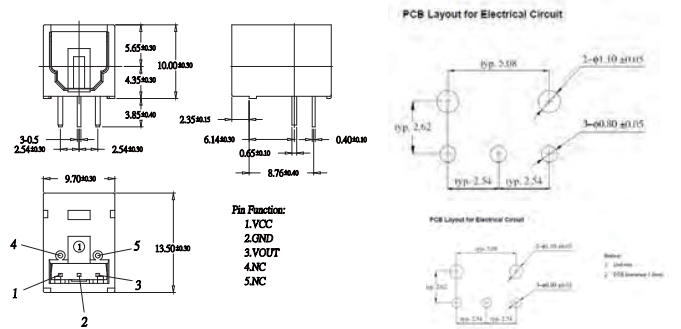
UNIT : mm



Product	Size (LxWxHmm)	Fiber Coupling Receiver Power_ Max (dBm)	Fiber Coupling Receiver Power_ Min (dBm)	Operation Voltage (V)	Plastic Holder	Trans - mission Speed (Mb/s)	L/F Thickness (mm)
PLR135/T9	11.5x14x20	-14	-27	2.4~5.5	Yes	16	0.4



UNIT : mm



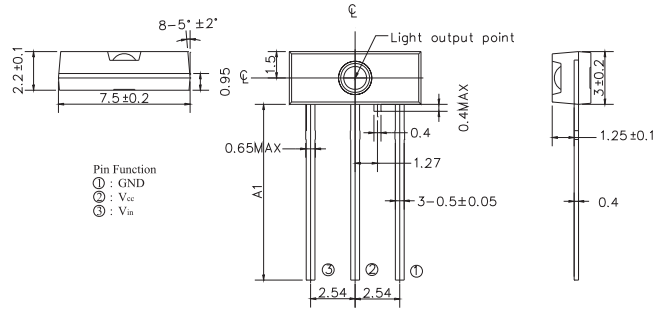
Product	Size (LxWxHmm)	Fiber Coupling Receiver Power_ Max (dBm)	Fiber Coupling Receiver Power_ Min (dBm)	Operation Voltage (V)	Plastic Holder	Trans - mission Speed (Mb/s)	L/F Thickness (mm)
PLR135/T10	9.7x13.5x10.0	-14	-27	2.4~5.5	Yes	16	0.4

Optic-Fiber Device (Photo Link)

Optic-Fiber Device (Photo Link) | Transmitter (PLT) Component



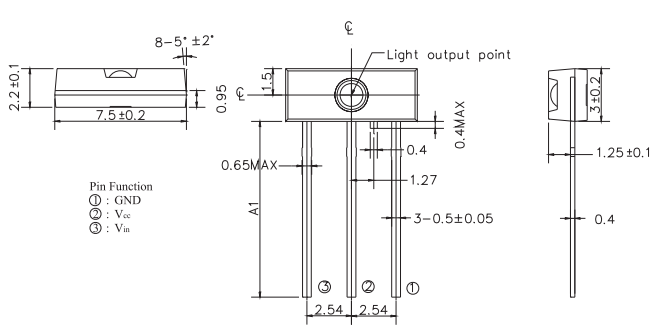
UNIT : mm



Product	Size (LxWxHmm)	Fiber Coupling Output Power_Max (dBm)	Fiber Coupling Output Power_Min (dBm)	Operation Voltage (V)	Plastic Holder	Trans - mission Speed (Mb/s)	L/F Thicknes (mm)
PLT132	7.5x3x2.2	-15	-21	3~5	None	16	0.4
PLT232/L5	7.5x3x2.2	-15	-21	3~5	None	25	0.4



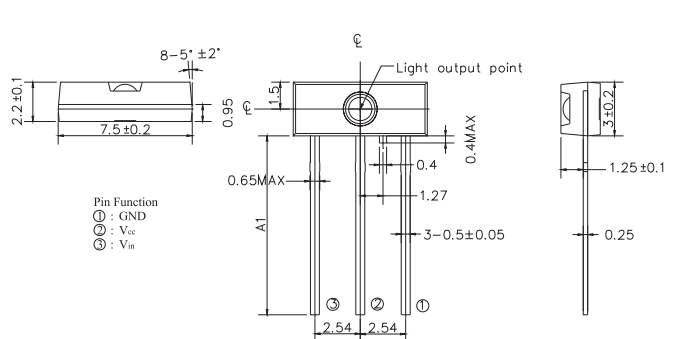
UNIT : mm



Product	Size (LxWxHmm)	Fiber Coupling Output Power_Max (dBm)	Fiber Coupling Output Power_Min (dBm)	Operation Voltage (V)	Plastic Holder	Trans - mission Speed (Mb/s)	L/F Thicknes (mm)
PLT133	7.5x3x2.2	-15	-21	3~5	None	16	0.4



UNIT : mm



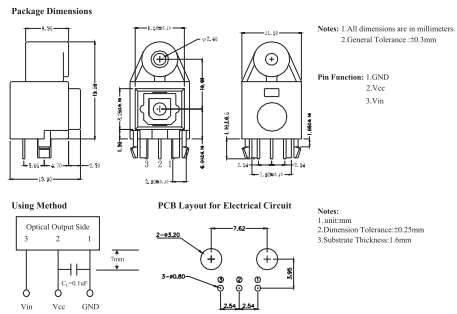
Product	Size (LxWxHmm)	Fiber Coupling Output Power_Max (dBm)	Fiber Coupling Output Power_Min (dBm)	Operation Voltage (V)	Plastic Holder	Trans - mission Speed (Mb/s)	L/F Thicknes (mm)
PLT137	7.5x3x2.2	-15	-21	3~5	None	16	0.25
PLT237	7.5x3x2.2	-15	-21	3~5	None	25	0.25

Optic-Fiber Device (Photo Link)

Optic-Fiber Device (Photo Link) | Transmitter (PLT) Module



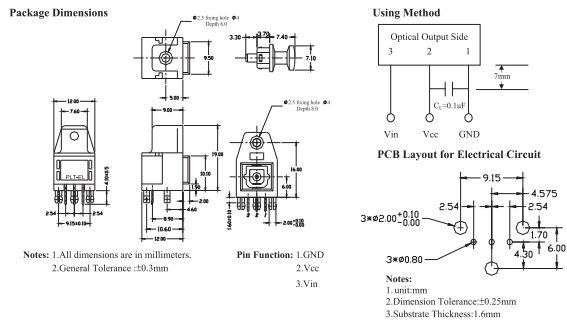
UNIT : mm



Product	Size (LxWxHmm)	Fiber Coupling Output Power_Max (dBm)	Fiber Coupling Output Power_Min (dBm)	Operation Voltage (V)	Plastic Holder	Trans - mission Speed (Mb/s)	L/F Thicknes (mm)
PLT133/T	11.5x13.6x19.5	-15	-21	3~5	Yes	16	0.4



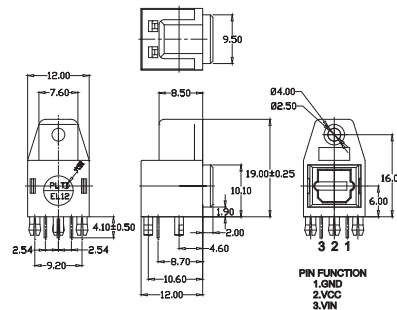
UNIT : mm



Product	Size (LxWxHmm)	Fiber Coupling Output Power_Max (dBm)	Fiber Coupling Output Power_Min (dBm)	Operation Voltage (V)	Plastic Holder	Trans - mission Speed (Mb/s)	L/F Thicknes (mm)
PLT133/T2	12.0x14.0x19.0	-15	-21	3~5	Yes	16	0.4



UNIT : mm

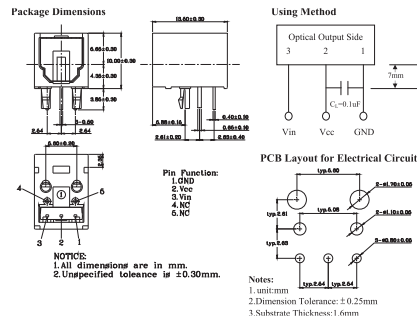


Product	Size (LxWxHmm)	Fiber Coupling Output Power_Max (dBm)	Fiber Coupling Output Power_Min (dBm)	Operation Voltage (V)	Plastic Holder	Trans - mission Speed (Mb/s)	L/F Thicknes (mm)
PLT133/T5P	12.0x14.0x19.0	-15	-21	3~5	Yes	16	0.4

Optic-Fiber Device (Photo Link) | Transmitter (PLT) Module



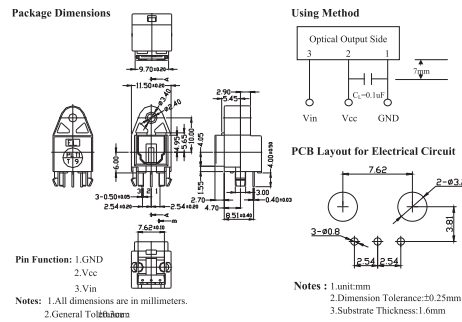
UNIT : mm



Product	Size (LxWxHmm)	Fiber Coupling Output Power_Max (dBm)	Fiber Coupling Output Power_Min (dBm)	Operation Voltage (V)	Plastic Holder	Trans - mission Speed (Mb/s)	L/F Thicknes (mm)
PLT133/T8B	9.7x13.5x10	-15	-21	3~5	Yes	16	0.4



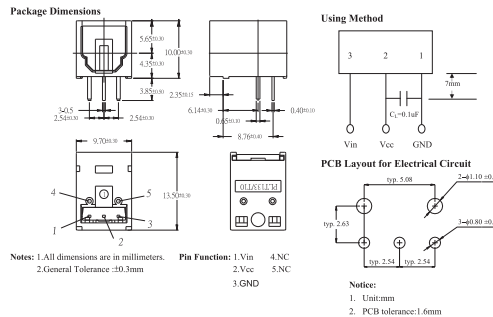
UNIT : mm



Product	Size (LxWxHmm)	Fiber Coupling Output Power_Max (dBm)	Fiber Coupling Output Power_Min (dBm)	Operation Voltage (V)	Plastic Holder	Trans - mission Speed (Mb/s)	L/F Thicknes (mm)
PLT133/T9	11.5x13.5x20	-15	-21	3~5	Yes	16	0.4



UNIT : mm



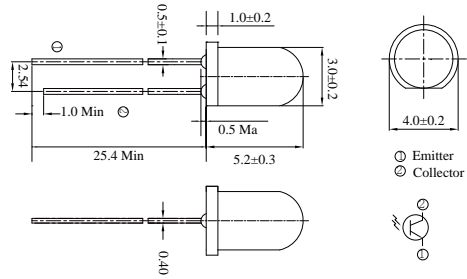
Product	Size (LxWxHmm)	Fiber Coupling Output Power_Max (dBm)	Fiber Coupling Output Power_Min (dBm)	Operation Voltage (V)	Plastic Holder	Trans - mission Speed (Mb/s)	L/F Thicknes (mm)
PLT133/T10B	9.7x13.5x10.0	-15	-21	3~5	Yes	16	0.4
PLT133/T10W	9.7x13.5x10.0	-15	-21	3~5	Yes	16	0.4

Optic-Fiber Device (Photo Link)

Optical Sensors | Ambient Light Sensor | Analog



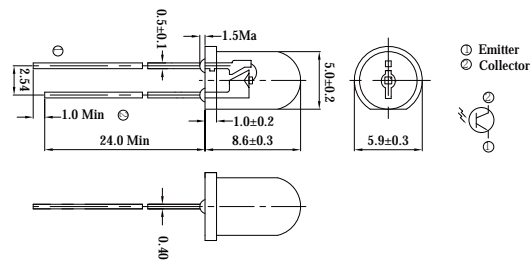
UNIT : mm



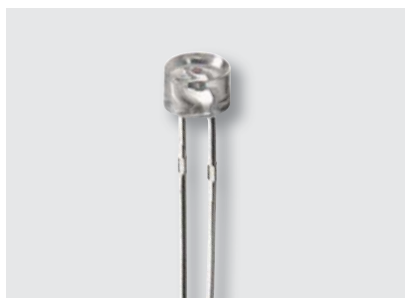
Product	Size (mm)	Supply Voltage (V)	Sensitivity λ_p (nm)	Range λ (nm)	Light current (uA) $E_v=100\text{lux}$	I_{D_Max} (μA)	Rise / Fall Time (μs)
ALS-PT204-6C/L177	3	2.5-5.5	630	370-670	15-100	0.1	110 / 120



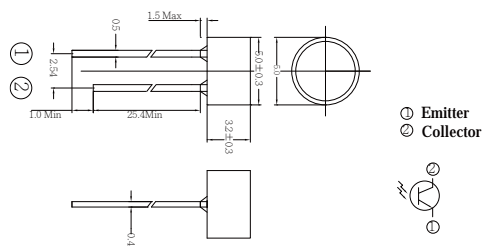
UNIT : mm



Product	Size (mm)	Supply Voltage (V)	Sensitivity λ_p (nm)	Range λ (nm)	Light current (uA) $E_v=100\text{lux}$	I_{D_Max} (μA)	Rise / Fall Time (μs)
ALS-PT333-3C/L177	5	2.5-5.5	560	390-700	90-160	0.1	80 / 90

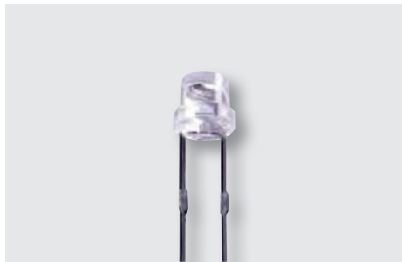


UNIT : mm

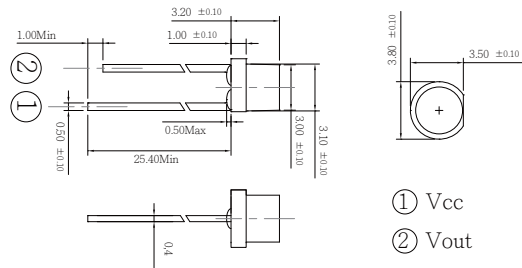


Product	Size (mm)	Supply Voltage (V)	Sensitivity λ_p (nm)	Range λ (nm)	Light current (uA) $E_v=100\text{lux}$	I_{D_Max} (μA)	Rise / Fall Time (μs)
ALS-PT243-3C/L177	5	2.5-5.5	630	390-700	min. 7uA	0.1	110 / 220

Optical Sensors | Ambient Light Sensor | Analog



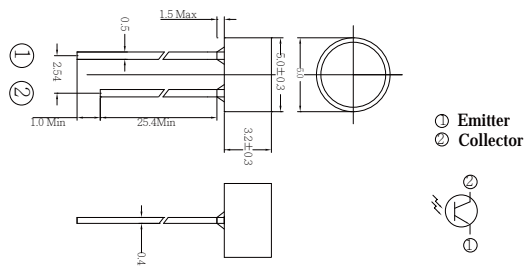
UNIT : mm



Product	Size (mm)	Supply Voltage (V)	Sensitivity λ_P (nm)	Range λ (nm)	Light current (uA) Ev=100lux	I _{D_Max} (uA)	Rise / Fall Time (μs)
ALS-PDIC144-6C/L378	3	1.8-5.5	550	390-700	22-44	0.1	360 / 1130



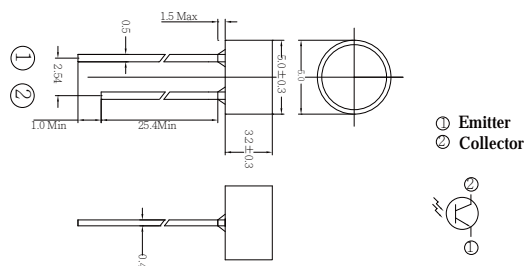
UNIT : mm



Product	Size (mm)	Supply Voltage (V)	Sensitivity λ_P (nm)	Range λ (nm)	Light current (uA) Ev=100lux	I _{D_Max} (uA)	Rise / Fall Time (μs)
ALS-PDIC243-3C	5	1.8-5.5	560	390-700	24-48	0.1	360 / 1130

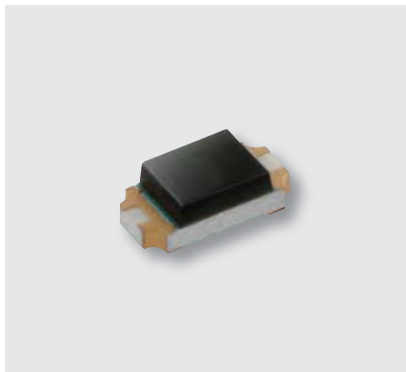


UNIT : mm

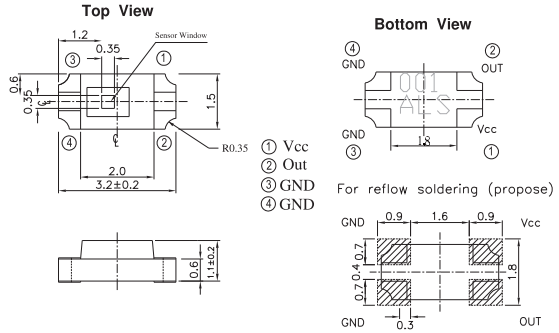


Product	Size (mm)	Supply Voltage (V)	Sensitivity λ_P (nm)	Range λ (nm)	Light current (uA) Ev=100lux	I _{D_Max} (uA)	Rise / Fall Time (μs)
ALS-PDIC243-3B	5	1.8-5.5	560	390-700	10-35	0.1	360 / 1130
ALS-PDIC243-3B/L525	5	1.8-5.5	560	390-700	5-15	0.1	360 / 1130

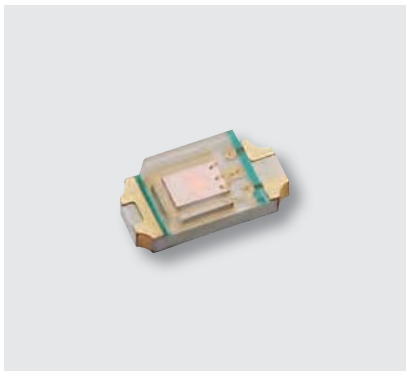
Optical Sensors | Ambient Light Sensor | Analog



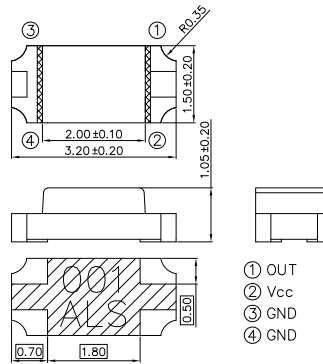
UNIT : mm



Product	Size (LxWxHmm)	Supply Voltage (V)	Sensitivity λ_P (nm)	Range λ (nm)	Light current (uA) Ev=100lux	I _{D_Max} (μA)	Rise / Fall Time (μs)
ALS-PDIC15-21B/TR8	3.2x1.5x1.1	1.8~5.5	550	390~700	5~10	0.1	360 / 1130



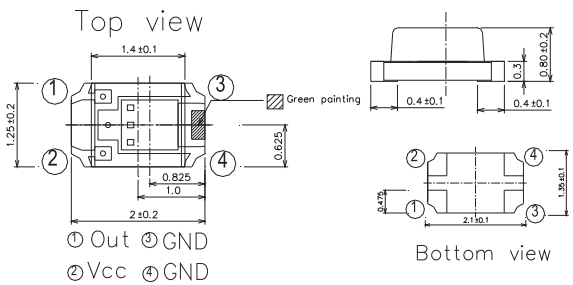
UNIT : mm



Product	Size (LxWxHmm)	Supply Voltage (V)	Sensitivity λ_P (nm)	Range λ (nm)	Light current (uA) Ev=100lux	I _{D_Max} (μA)	Rise / Fall Time (μs)
ALS-PDIC15-21C/L230/TR8	3.2x1.5x1.1	2.5~5.5	590	390~700	36~95	0.1	360 / 1130

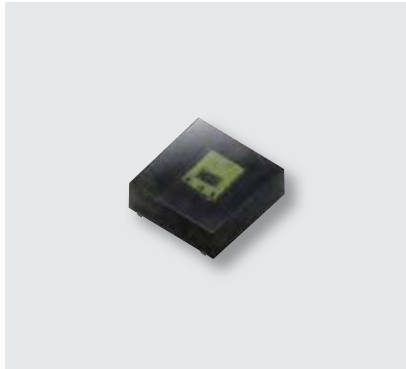


UNIT : mm

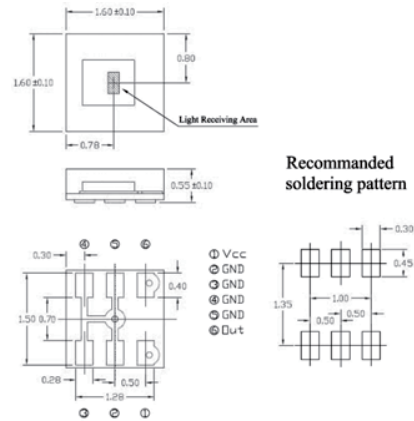


Product	Size (LxWxHmm)	Supply Voltage (V)	Sensitivity λ_P (nm)	Range λ (nm)	Light current (uA) Ev=100lux	I _{D_Max} (μA)	Rise / Fall Time (μs)
ALS-PDIC17-55C/TR8	2x1.25x0.8	1.8~5.5	590	390~700	27~54	0.1	360 / 1130

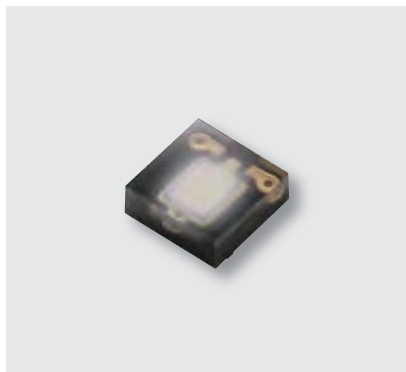
Optical Sensors | Ambient Light Sensor | Analog



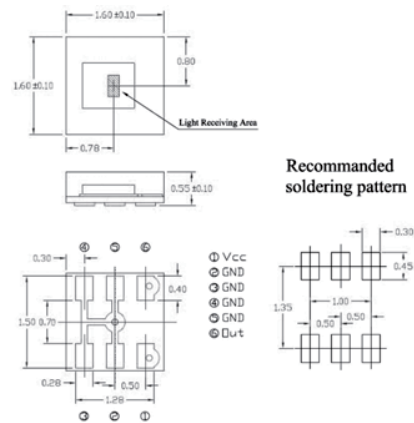
UNIT : mm



Product	Size (LxWxHmm)	Supply Voltage (V)	Sensitivity λ_p (nm)	Range λ (nm)	Light current (uA) Ev=100lux	I _D _Max (μA)	Rise / Fall Time (μs)
ALS-PDIC17-77B/TR8	1.6x1.6x0.55	1.8~5.5	550	390~700	40~80	0.1	75 / 200



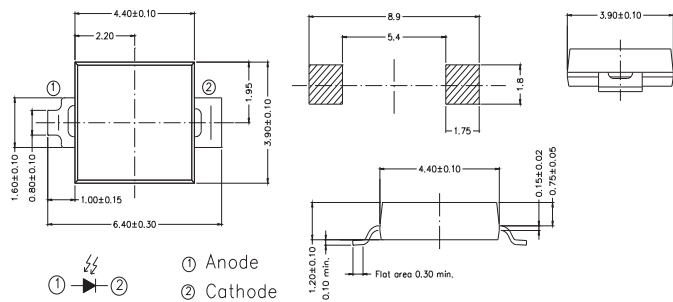
UNIT : mm



Product	Size (LxWxHmm)	Supply Voltage (V)	Sensitivity λ_p (nm)	Range λ (nm)	Light current (uA) Ev=100lux	I _D _Max (μA)	Rise / Fall Time (μs)
ALS-PDIC17-77C/TR8	1.6x1.6x0.55	1.8~5.5	550	390~700	27~54	0.1	360 / 1130

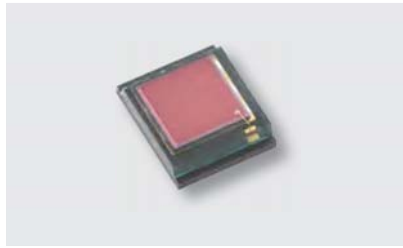


UNIT : mm

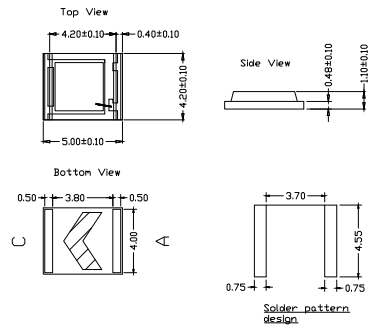


Product	Size (LxWxHmm)	Supply Voltage (V)	Sensitivity λ_p (nm)	Range λ (nm)	Light current (uA) Ev=100lux	I _D _Max (μA)	Rise / Fall Time (μs)
ALS-PD70-01C/TR7	4.4x3.9x1.2	2.5~5.5	630	390~700	1.1	0.01	-- / --
ALS-PD70-01C/L664/TR7	4.4x3.9x1.2	2.5~5.5	540	400~640	0.25	0.01	-- / --

Optical Sensors | Ambient Light Sensor | Analog



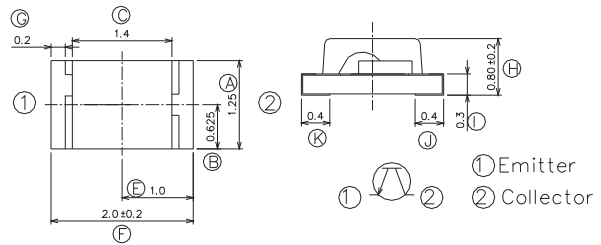
UNIT : mm



Product	Size (LxWxHmm)	Supply Voltage (V)	Sensitivity λ_p (nm)	Range λ (nm)	Light current (μA) $E_v=100lux$	I_{D_Max} (μA)	Rise / Fall Time (μs)
ALS-PD50-42C/TR8	5.0x4.2x1.1	2.5~5.5	550	400~650	0.8	0.03	-- / --



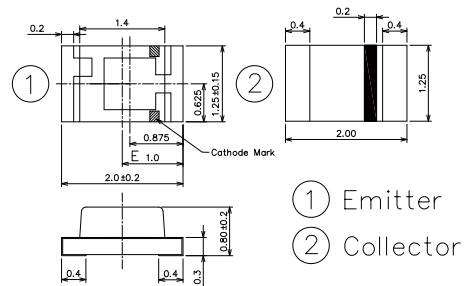
UNIT : mm



Product	Size (LxWxHmm)	Supply Voltage (V)	Sensitivity λ_p (nm)	Range λ (nm)	Light current (μA) $E_v=100lux$	I_{D_Max} (μA)	Rise / Fall Time (μs)
ALS-PT17-51C/L177/TR8	2.00x1.25x0.80	2.5~5.5	630	390~700	4~11	0.1	110 / 220



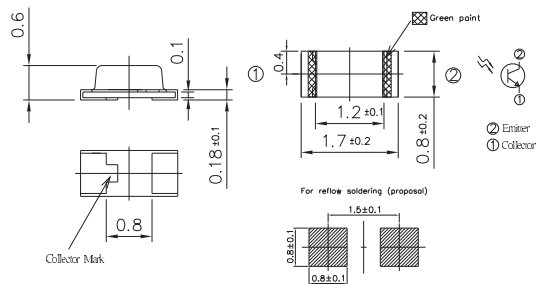
UNIT : mm



Product	Size (LxWxHmm)	Supply Voltage (V)	Sensitivity λ_p (nm)	Range λ (nm)	Light current (μA) $E_v=50lux$	I_{D_Max} (μA)	Rise / Fall Time (μs)
ALS-PT17-51NB/L369/TR8	2.00x1.25x0.80	1.8~5.5	580	400~700	3.5~7	0.1	130 / 150



UNIT : mm

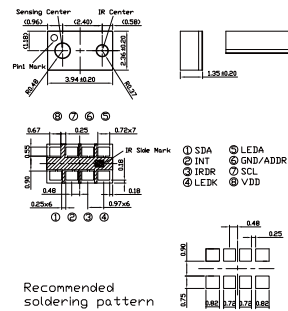


Product	Size (LxWxHmm)	Supply Voltage (V)	Sensitivity λ_p (nm)	Range λ (nm)	Light current (μA) $E_v=100lux$	I_{D_Max} (μA)	Rise / Fall Time (μs)
ALS-PT19-315C/L177/TR8	1.7x0.8x0.8	2.5~5.5	630	390~700	min. 5 μA	0.1	110 / 220

Optical Sensors | Proximity Sensor | Digital



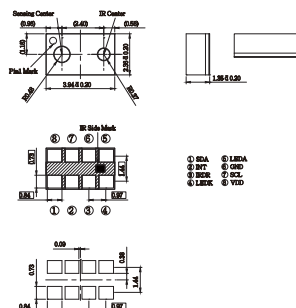
UNIT : mm



Product	Size (LxWxHmm)	Supply Voltage (V)	Supply Current (uA)	Features			
				Function	ADC resolution	Detection range	Emitting wavelength (nm)
APM-12D23-20-DF8/TR8	3.94x2.36x1.35	2.3~3.6V	I _{DD_ALS} = 80 I _{DD_PS} = 90 without I _{LED} I _{DD_OFF} = 0.1	Ambient light sensing Proximity Sensing IR emitter embedded	12 bit 8 bit	0.012~800 lux up to 10 cm	850nm
PM-8D23-20-DF8/TR8	3.94x2.36x1.35	2.3~3.6V	I _{DD_PS} = 85 without I _{LED} I _{DD_OFF} = 0.01	Proximity Sensing IR emitter embedded	8 bit	up to 10 cm	850nm

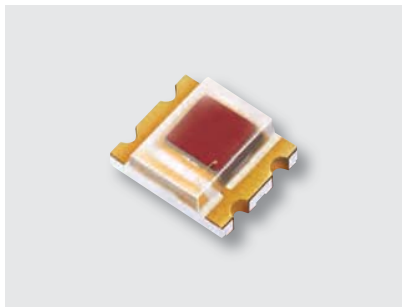


UNIT : mm

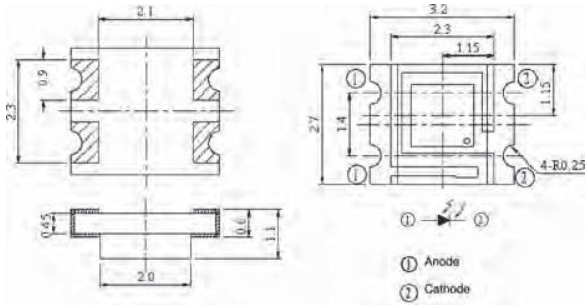


Product	Size (LxWxHmm)	Supply Voltage (V)	Supply Current (uA)	Features			
				Function	ADC resolution	Detection range	Emitting wavelength (nm)
APM-16D18-00-DF8/TR8	3.94x2.36x1.35	1.7~3.5V	I _{DD_ALS} = 130 I _{DD_PS} = 175 without I _{LED} I _{DD_OFF} = 0.1	Ambient light sensing Proximity Sensing IR emitter embedded	10~16 bit 16 bit	0.08m~42K lux up to 10 cm	850nm

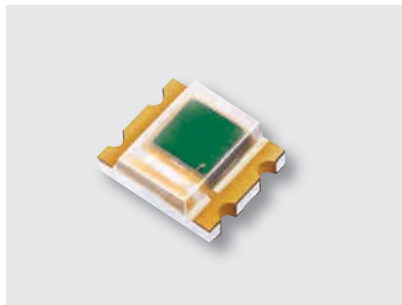
Optical Sensors | RGB Color Sensor | Single Color Sensor (Analog)



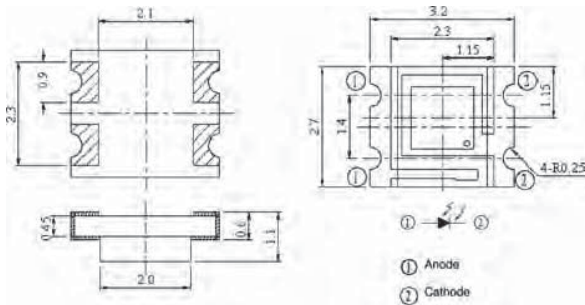
UNIT : mm



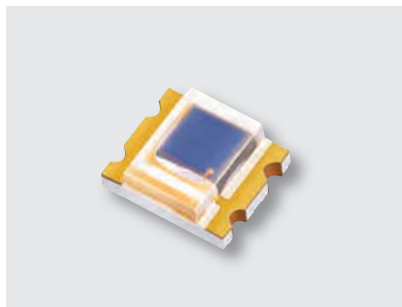
Product	Size (LxWxHmm)	Sensitivity λ_P (nm)	V_F (V)	Revers light current (Ee=100lux) / $IL^{(1)}$ (μA)	Revers light current (Ee=1000lux) $IL^{(2)}$ (μA)
CLS15-22C/L213R/TR8	3.2x2.7x1.1	620	0.5~1.3	0.091	0.83



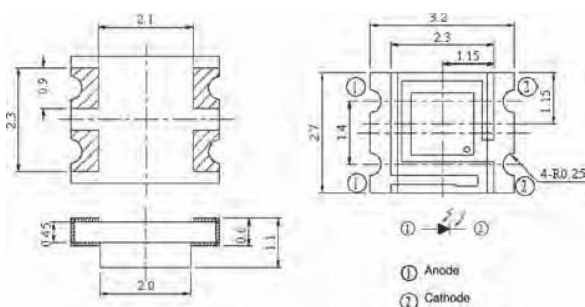
UNIT : mm



Product	Size (LxWxHmm)	Sensitivity λ_P (nm)	V_F (V)	Revers light current (Ee=100lux) / $IL^{(1)}$ (μA)	Revers light current (Ee=1000lux) $IL^{(2)}$ (μA)
CLS15-22C/L213G/TR8	3.2x2.7x1.1	550	0.5~1.3	0.082	0.72



UNIT : mm

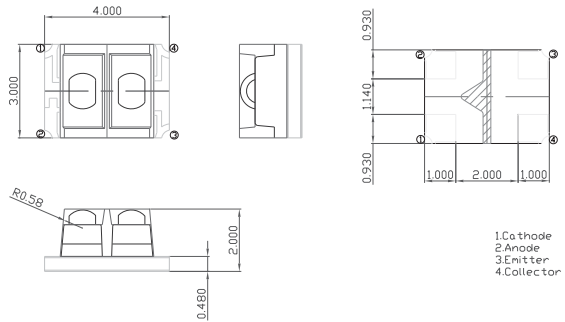


Product	Size (LxWxHmm)	Sensitivity λ_P (nm)	V_F (V)	Revers light current (Ee=100lux) / $IL^{(1)}$ (μA)	Revers light current (Ee=1000lux) $IL^{(2)}$ (μA)
CLS15-22C/L213B/TR8	3.2x2.7x1.1	470	0.5~1.3	0.046	0.39

Optical Sensors | Reflective Sensor



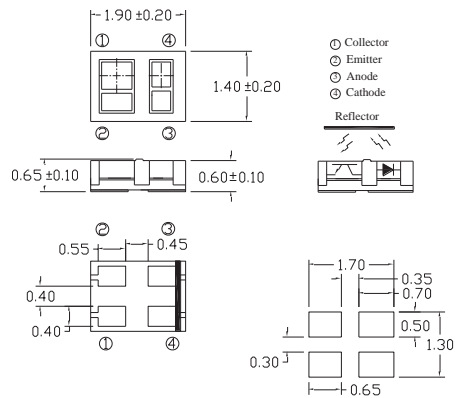
UNIT : mm



Product	Size (LxWxHmm)	V _{F_Typ} (V)	V _{F_Max} (V)	V _{CE(SAT)_Max} (V)	I _{C(ON)_Min} (mA)	I _{CEO_Max.} (nA)
ITR1502SR40A/TR8	4.0x3.0x2.0	1.2	1.4	--	0.06	100



UNIT : mm

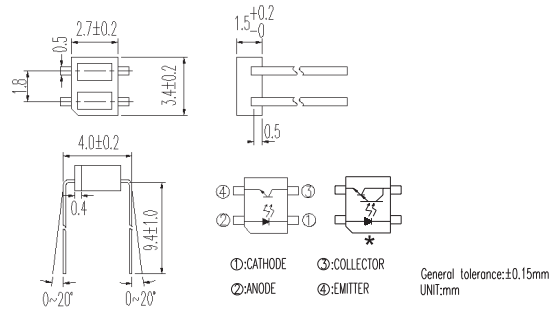


Product	Size (LxWxHmm)	V _{F_Typ} (V)	V _{F_Max} (V)	V _{CE(SAT)_Max} (V)	I _{C(ON)_Min} (mA)	I _{CEO_Max.} (nA)
ITR1504SR10A/TR	1.9x1.4x0.65	1.25	1.5	0.4	0.13	1000

Optical Sensors | Reflective Sensor



UNIT : mm

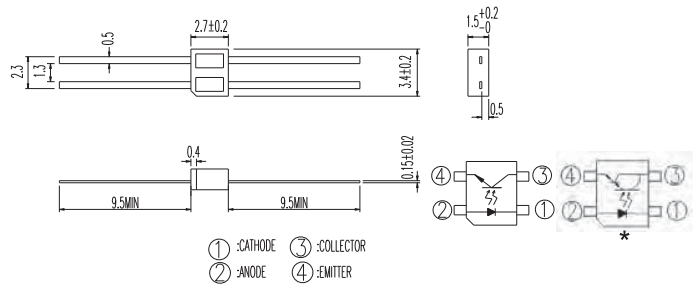


Product	Size (LxWxHmm)	V _{F_Typ} (V)	V _{F_Max} (V)	V _{CE(SAT)_Max} (V)	I _{C(ON)_Min} (mA)	I _{CEO_Max.} (nA)
ITR8307/F43	3.4x2.7x1.5	1.2	1.6	0.4	0.1	100
*ITR8307/L24/F43	3.4x2.7x1.5	1.2	1.4	--	0.5	1000

Star mark * : Please refer to the schematic of Pin configuration with " * " mark.



UNIT : mm

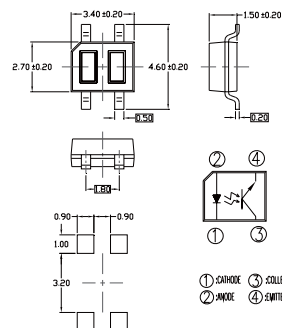


Product	Size (LxWxHmm)	V _{F_Typ} (V)	V _{F_Max} (V)	V _{CE(SAT)_Max} (V)	I _{C(ON)_Min} (mA)	I _{CEO_Max.} (nA)
ITR8307	3.4x2.7x1.5	1.2	1.6	0.4	0.1	100
*ITR8307/L24	3.4x2.7x1.5	1.2	1.4	--	0.5	1000

Star mark * : Please refer to the schematic of Pin configuration with " * " mark.



UNIT : mm

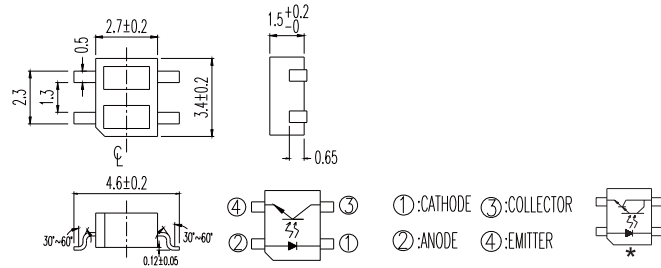


Product	Size (LxWxHmm)	V _{F_Typ} (V)	V _{F_Max} (V)	V _{CE(SAT)_Max} (V)	I _{C(ON)_Min} (mA)	I _{CEO_Max.} (nA)
ITR1201SR10AR/TR	3.4x2.7x1.5	1.2	1.4	--	0.1	100

Optical Sensors | Reflective Sensor



UNIT : mm

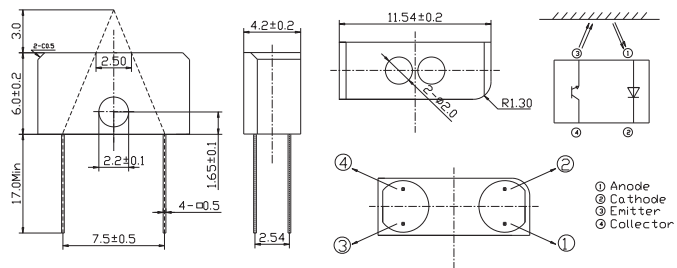


Product	Size (LxWxHmm)	V _{F_Typ} (V)	V _{F_Max} (V)	V _{CE(SAT)_Max} (V)	I _{C(ON)_Min} (mA)	I _{CEO_Max.} (nA)
*ITR8307/L24/TR8	3.4x2.7x1.5	1.2	1.4	--	0.5	1000
ITR8307/TR8	3.4x2.7x1.5	1.2	1.6	0.4	0.1	100

Star mark * : Please refer to the schematic of Pin configuration with " * " mark.



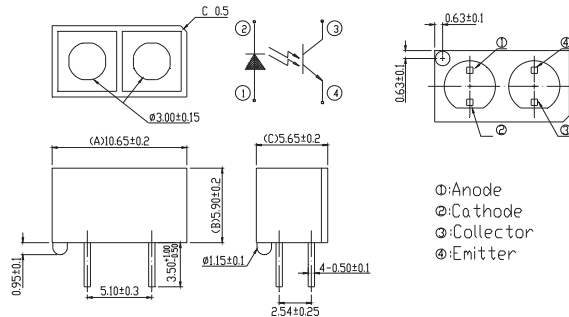
UNIT : mm



Product	Size (LxWxHmm)	V _{F_Typ} (V)	V _{F_Max} (V)	V _{CE(SAT)_Max} (V)	I _{C(ON)_Min} (mA)	I _{CEO_Max.} (nA)
ITR9904	11.54x4.2x6	1.2	1.5	0.4	0.1	100



UNIT : mm

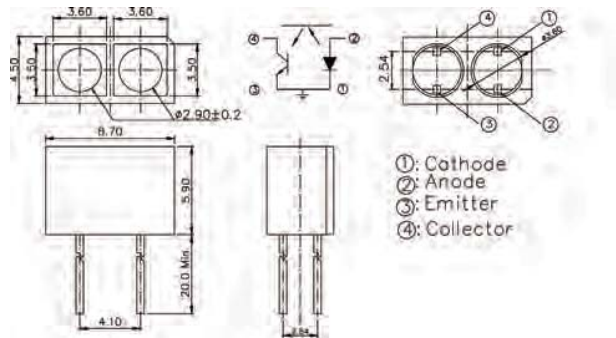


Product	Size (LxWxHmm)	V _{F_Typ} (V)	V _{F_Max} (V)	V _{CE(SAT)_Max} (V)	I _{C(ON)_Min} (mA)	I _{CEO_Max.} (nA)
ITR9908	10.65x5.65x5.9	1.2	1.5	0.4	0.5	100

Optical Sensors | Reflective Sensor



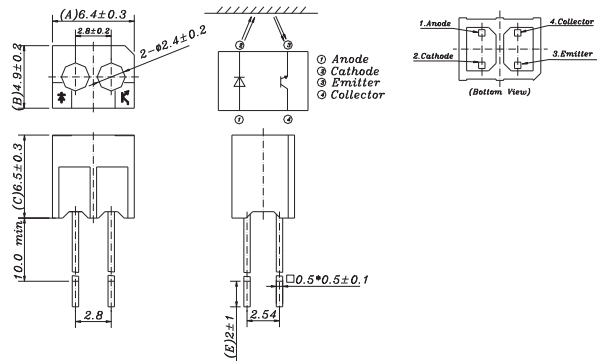
UNIT : mm



Product	Size (LxWxHmm)	V _{F_Typ} (V)	V _{F_Max} (V)	V _{CE(SAT)_Max} (V)	I _{C(ON)_Min} (mA)	I _{CEO_Max.} (nA)
ITR9909	8.7x4.5x5.9	1.2	1.5	0.4	0.2	100



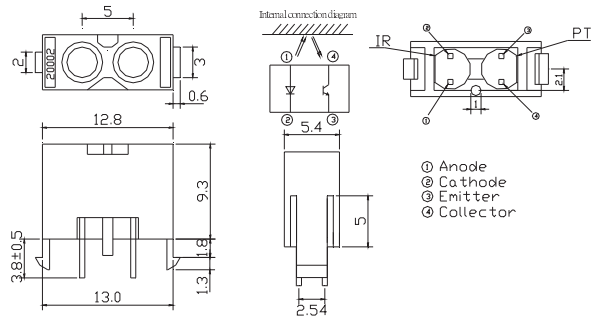
UNIT : mm



Product	Size (LxWxHmm)	V _{F_Typ} (V)	V _{F_Max} (V)	V _{CE(SAT)_Max} (V)	I _{C(ON)_Min} (mA)	I _{CEO_Max.} (nA)
ITR20001/T	6.4x4.9x6.5	1.2	1.5	0.4	0.2	100



UNIT : mm

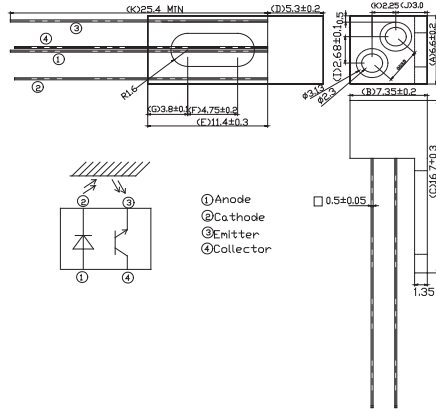


Product	Size (LxWxHmm)	V _{F_Typ} (V)	V _{F_Max} (V)	V _{CE(SAT)_Max} (V)	I _{C(ON)_Min} (mA)	I _{CEO_Max.} (nA)
ITR20002	12.8x5.4x9.3	1.2	1.5	0.4	0.04	100

Optical Sensors | Reflective Sensor



UNIT : mm

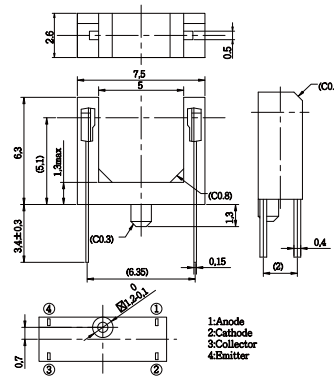


Product	Size (LxWxHmm)	V _{F_Typ} (V)	V _{F_Max} (V)	V _{CE(SAT)_Max} (V)	I _{C(ON)_Min} (mA)	I _{CEO_Max.} (nA)
ITR20501	7.35x6.6x5.3	1.2	1.5	0.4	0.02	100

Optical Sensor | Transmissive Sensor



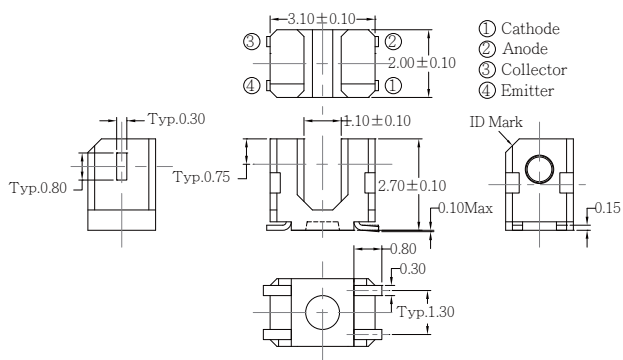
UNIT : mm



Product	Size (LxWxHmm)	V _{F_Typ} (V)	V _{F_Max} (V)	V _{CE(SAT)_Max} (V)	I _{C(ON)_Min} (mA)	I _{CEO_Max.} (nA)	Gap Distance (mm)
ITR1203DT50A/TB	7.5x2.6x6.3	1.18	1.4	0.4	0.25	100	5

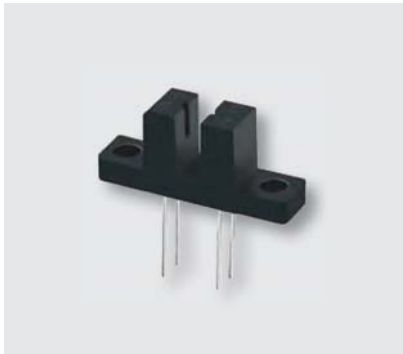


UNIT : mm

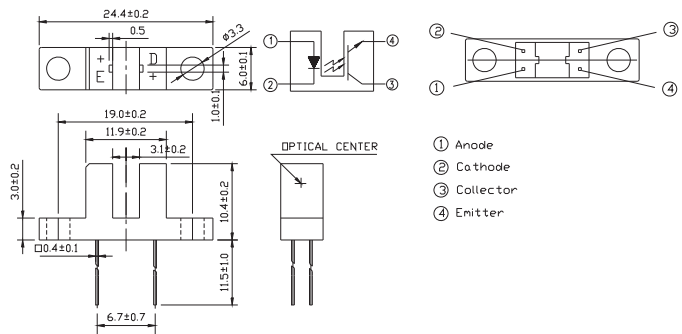


Product	Size (LxWxHmm)	V _{F_Typ} (V)	V _{F_Max} (V)	V _{CE(SAT)_Max} (V)	I _{C(ON)_Min} (mA)	I _{CEO_Max.} (nA)	Gap Distance (mm)
ITR1205ST11A/TR	3.1x2x2.7	1.2	1.4	0.4	0.15	100	1.1

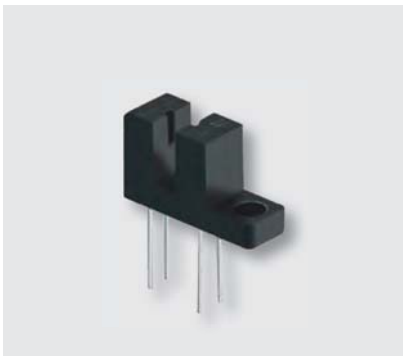
Optical Sensors | Transmissive Sensor



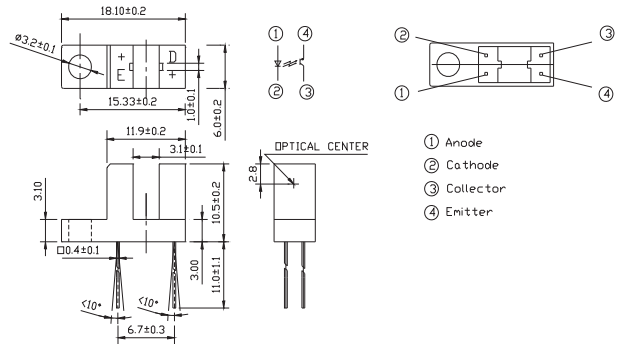
UNIT : mm



Product	Size (LxWxHmm)	V _{F_Typ} (V)	V _{F_Max} (V)	V _{CE(SAT)_Max} (V)	I _{C(ON)_Min} (mA)	I _{CEO_Max.} (nA)	Gap Distance (mm)
ITR8102	24.4x6x10.4	1.2	1.5	0.4	0.9	100	3.1



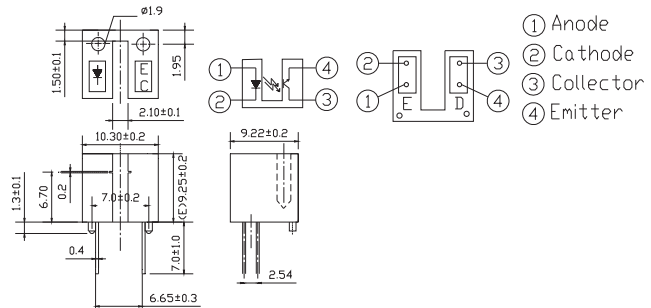
UNIT : mm



Product	Size (LxWxHmm)	V _{F_Typ} (V)	V _{F_Max} (V)	V _{CE(SAT)_Max} (V)	I _{C(ON)_Min} (mA)	I _{CEO_Max.} (nA)	Gap Distance (mm)
ITR8104	18.1x6x10.5	1.2	1.5	0.4	0.9	100	3.1



UNIT : mm

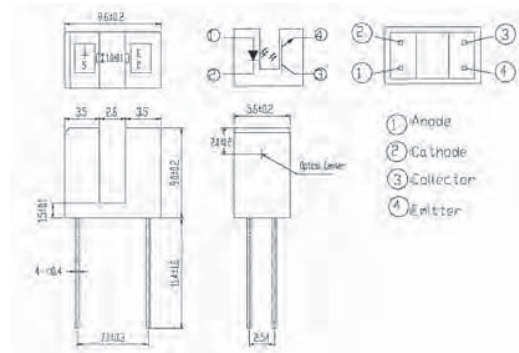


Product	Size (LxWxHmm)	V _{F_Typ} (V)	V _{F_Max} (V)	V _{CE(SAT)_Max} (V)	I _{C(ON)_Min} (mA)	I _{CEO_Max.} (nA)	Gap Distance (mm)
ITR8010	10.3x9.22x9.25	1.2	1.6	0.4	0.5	100	2.1

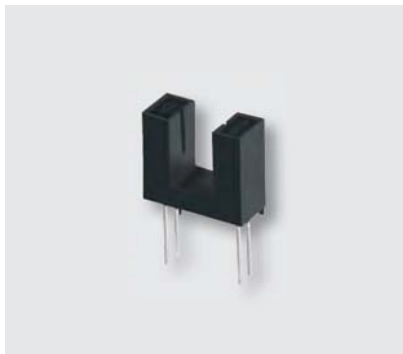
Optical Sensors | Transmissive Sensor



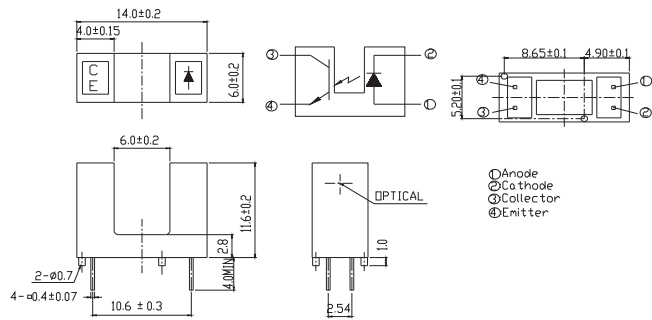
UNIT : mm



Product	Size (LxWxHmm)	V _{F_Typ} (V)	V _{F_Max} (V)	V _{CE(SAT)_Max} (V)	I _{C(ON)_Min} (mA)	I _{CEO_Max.} (nA)	Gap Distance (mm)
ITR8105	9.6x5.6x9	1.2	1.6	0.4	0.9	100	2.6



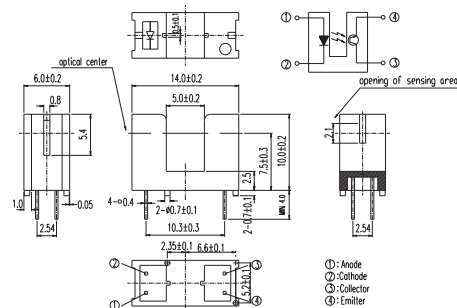
UNIT : mm



Product	Size (LxWxHmm)	V _{F_Typ} (V)	V _{F_Max} (V)	V _{CE(SAT)_Max} (V)	I _{C(ON)_Min} (mA)	I _{CEO_Max.} (nA)	Gap Distance (mm)
ITR8402-F-A	14.0x6x11.6	1.2	1.5	0.4	0.5	100	6



UNIT : mm

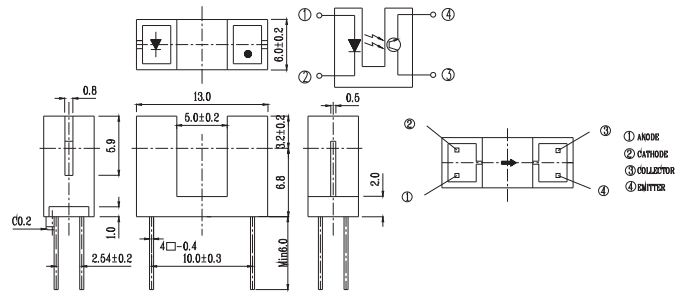


Product	Size (LxWxHmm)	V _{F_Typ} (V)	V _{F_Max} (V)	V _{CE(SAT)_Max} (V)	I _{C(ON)_Min} (mA)	I _{CEO_Max.} (nA)	Gap Distance (mm)
ITR9606-F	14x6x10	1.2	1.5	0.4	0.5	100	5

Optical Sensors | Transmissive Sensor



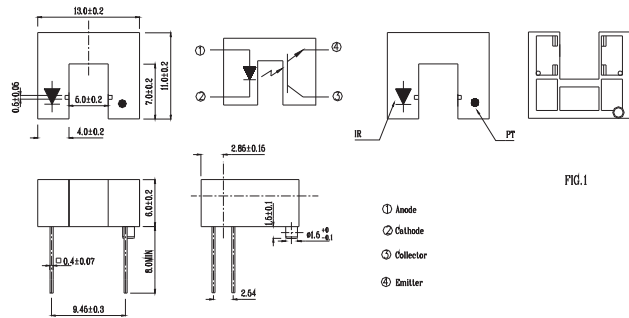
UNIT : mm



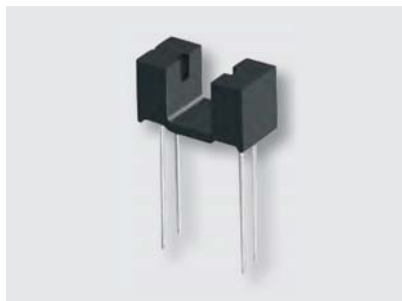
Product	Size (LxWxHmm)	V _{F_Typ} (V)	V _{F_Max} (V)	V _{CE(SAT)_Max} (V)	I _{C(ON)_Min} (mA)	I _{CEO_Max.} (nA)	Gap Distance (mm)
ITR9608-F	13x6x10	1.2	1.5	0.4	0.5	100	5



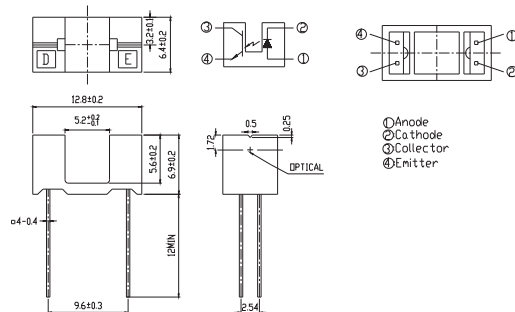
UNIT : mm



Product	Size (LxWxHmm)	V _{F_Typ} (V)	V _{F_Max} (V)	V _{CE(SAT)_Max} (V)	I _{C(ON)_Min} (mA)	I _{CEO_Max.} (nA)	Gap Distance (mm)
ITR9702-F	13x11x6	1.2	1.5	0.4	0.5	100	5

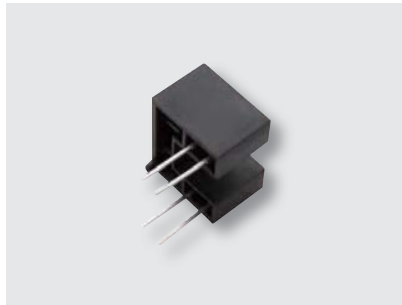


UNIT : mm

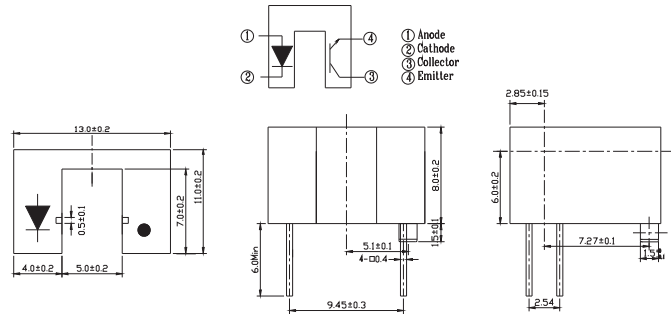


Product	Size (LxWxHmm)	V _{F_Typ} (V)	V _{F_Max} (V)	V _{CE(SAT)_Max} (V)	I _{C(ON)_Min} (mA)	I _{CEO_Max.} (nA)	Gap Distance (mm)
ITR9707	12.8x6.4x6.9	1.2	1.5	0.4	0.5	100	5.2

Optical Sensors | Transmissive Sensor



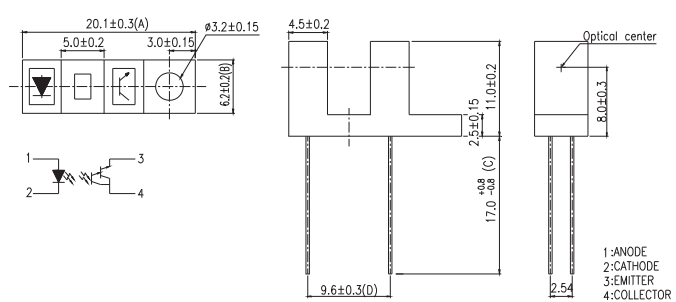
UNIT : mm



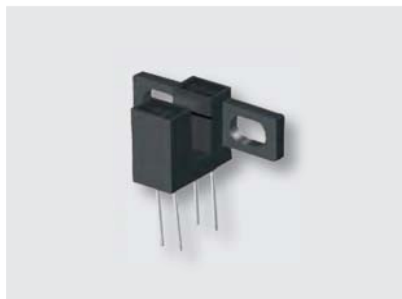
Product	Size (LxWxHmm)	V _{F_Typ} (V)	V _{F_Max} (V)	V _{CE(SAT)_Max} (V)	I _{C(ON)_Min} (mA)	I _{CEO_Max.} (nA)	Gap Distance (mm)
ITR9809-F/T	13x11x8	1.2	1.5	0.4	1	100	5



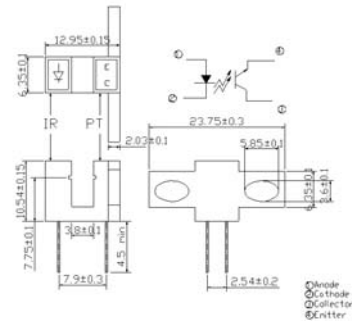
UNIT : mm



Product	Size (LxWxHmm)	V _{F_Typ} (V)	V _{F_Max} (V)	V _{CE(SAT)_Max} (V)	I _{C(ON)_Min} (mA)	I _{CEO_Max.} (nA)	Gap Distance (mm)
ITR9813	20.1x6.2x11	1.2	1.5	0.4	0.5	100	5

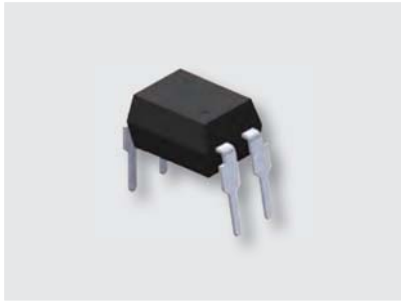


UNIT : mm

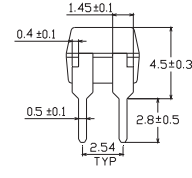
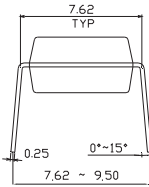
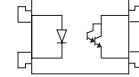
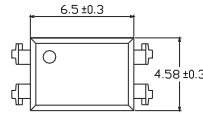


Product	Size (LxWxHmm)	V _{F_Typ} (V)	V _{F_Max} (V)	V _{CE(SAT)_Max} (V)	I _{C(ON)_Min} (mA)	I _{CEO_Max.} (nA)	Gap Distance (mm)
ITR20005-F	23.7x13x10.5	1.2	1.5	0.4	0.6	100	3.8

Photo Coupler | Darlington Transistor | 4Pin DIP-DC

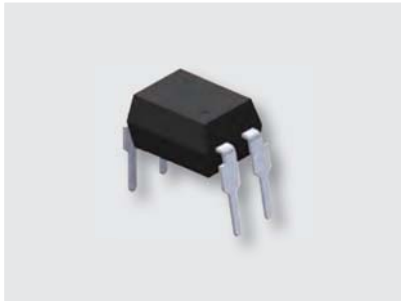


UNIT : mm

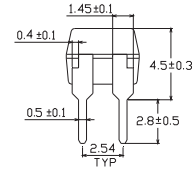
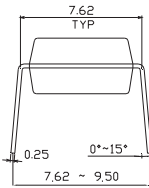
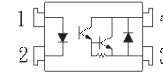
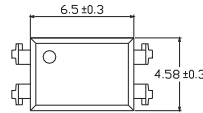


- 1: Anode
- 2: Cathode
- 3: Emiller
- 4: Collector

Product	Size (LxWxHmm)	V _{F_Typ} (V)	Rise / Fall Time (μs)	BV _{CEO_Min} (V)	CTR (%)	Viso (V _{rms})	V _{CE(SAT)_Max} (V)
EL815	6.5x4.58x3.5	1.2	60 / 53	35	600~7500	5000	1



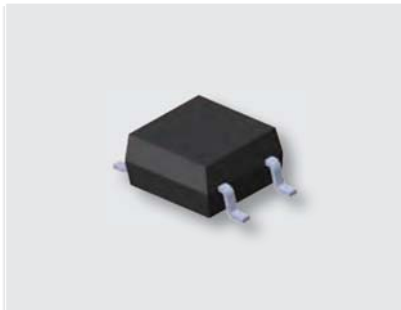
UNIT : mm



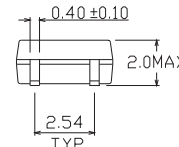
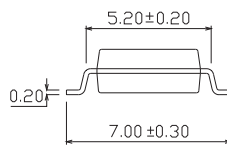
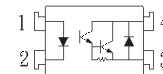
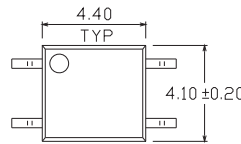
- 1: Anode
- 2: Cathode
- 3: Emiller
- 4: Collector

Product	Size (LxWxHmm)	V _{F_Typ} (V)	Rise / Fall Time (μs)	BV _{CEO_Min} (V)	CTR (%)	Viso (V _{rms})	V _{CE(SAT)_Max} (V)
EL852	6.5x4.58x3.5	1.2	300 / 100	350	1000~15000	5000	1.2

Photo Coupler | Darlington Transistor | 4Pin SOP-DC



UNIT : mm



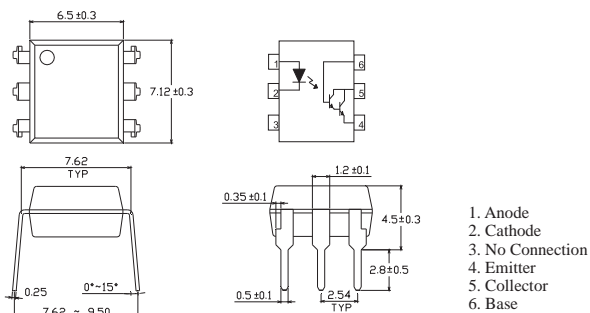
- 1: Anode
- 2: Cathode
- 3: Emiller
- 4: Collector

Product	Size (LxWxHmm)	V _{F_Typ} (V)	Rise / Fall Time (μs)	BV _{CEO_Min} (V)	CTR (%)	Viso (V _{rms})	V _{CE(SAT)_Max} (V)
EL452-G	4.4x4.1x2	1.2	80 / 10	350	1000 min.	3750	1.5

Photo Coupler | Darlington Transistor | 6Pin DIP-DC



UNIT : mm



1. Anode
2. Cathode
3. No Connection
4. Emitter
5. Collector
6. Base

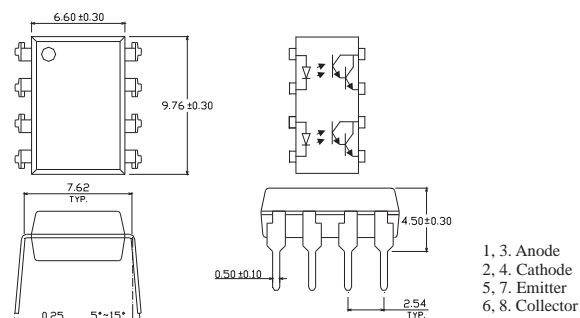
Product	Size (LxWxHmm)	V _{F_Typ} (V)	Rise / Fall Time (μs)	BV _{CEO_Min} (V)	CTR (%)	Viso (V _{rms})	V _{CE(SAT)_Max} (V)
4N29	7.12x6.5x3.5	1.2	5 / 40	55	100 min.	5000	1
4N30	7.12x6.5x3.5	1.2	5 / 40	55	100 min.	5000	1
4N31	7.12x6.5x3.5	1.2	5 / 40	55	50 min.	5000	1.2
4N32	7.12x6.5x3.5	1.2	5 / 100	55	500 min.	5000	1
4N33	7.12x6.5x3.5	1.2	5 / 100	55	500 min.	5000	1
H11B1	7.12x6.5x3.5	1.2	25 / 18	55	500 min.	5000	1
H11B2	7.12x6.5x3.5	1.2	25 / 18	55	200 min.	5000	1
H11B3	7.12x6.5x3.5	1.2	25 / 18	55	100 min.	5000	1
H11B255	7.12x6.5x3.5	1.2	25 / 18	55	100 min.	5000	1
TIL113	7.12x6.5x3.5	1.2	5 / 100	55	300 min.	5000	1.2

Photo Coupler

Photo Coupler | Darlington Transistor | 8Pin DIP-DC



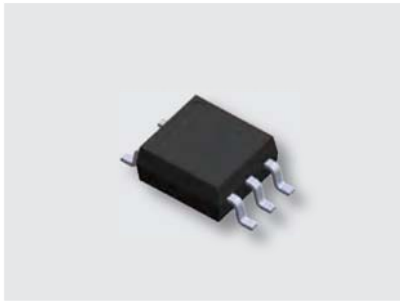
UNIT : mm



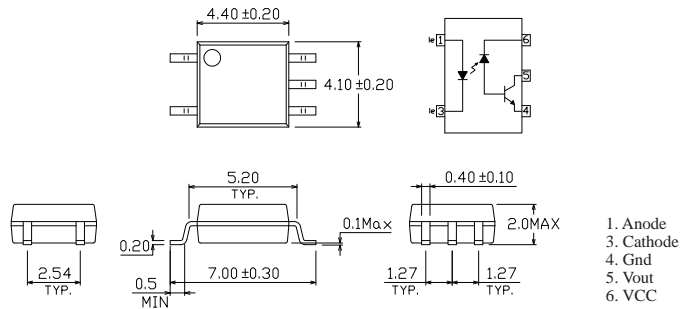
- 1, 3. Anode
- 2, 4. Cathode
- 5, 7. Emitter
- 6, 8. Collector

Product	Size (LxWxHmm)	V _{F_Typ} (V)	Rise / Fall Time (μs)	BV _{CEO_Min} (V)	CTR (%)	Viso (V _{rms})	V _{CE(SAT)_Max} (V)
EL825	9.76x6.6x3.5	1.2	60 / 53	40	600~7500	5000	1

Photo Coupler | High Speed | 5Pin SOP-DC



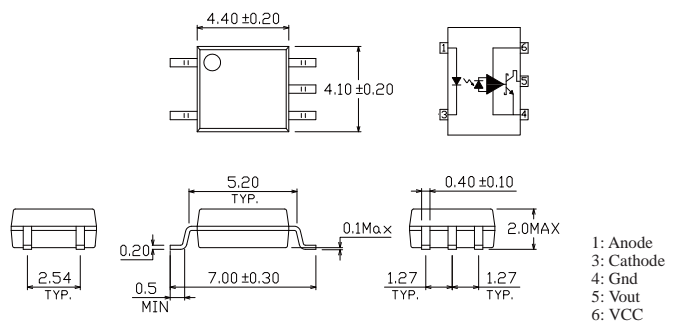
UNIT : mm



Product	Size (LxWxHmm)	tPHL / tPLH (ns)	Supply Voltage (V)	CTR (%)	Viso (V _{rms})	CMR (V/us)	I _O (mA)
ELM452	4.4x4.1x2	800 / 800	30 max.	20~50	3750	5000	8
ELM453	4.4x4.1x2	800 / 800	30 max.	20~50	3750	15000	8
ELM453L	4.4x4.1x2	800 / 800	30 max.	20~50	3750	15000	8

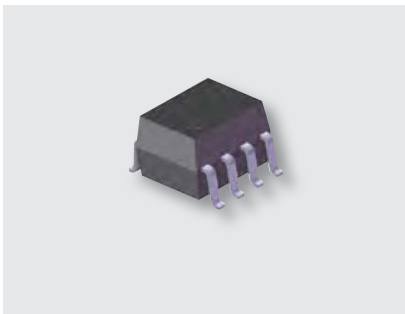


UNIT : mm

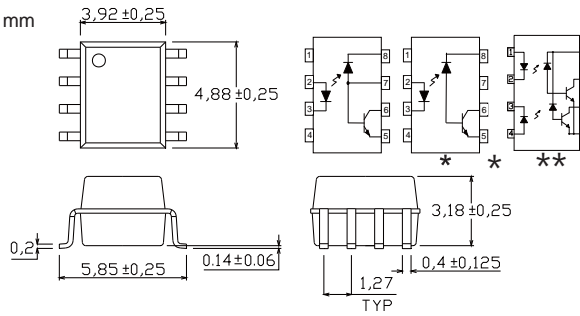


Product	Size (LxWxHmm)	tPHL / tPLH (ns)	Supply Voltage (V)	I _{FT} (mA)	Viso (V _{rms})	CMR (V/us)	I _O (mA)
ELM600	4.4x4.1x2	100 / 100	7 max.	5	3750	-	50 max.
ELM601	4.4x4.1x2	100 / 100	7 max.	5	3750	5000	50 max.
ELM611	4.4x4.1x2	100 / 100	7 max.	5	3750	20000	50 max.

Photo Coupler | High Speed | 8Pin SOP-DC



UNIT : mm

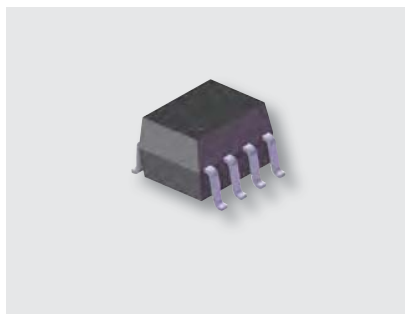


- 1. Anode
- 2. Cathode
- 3. Cathode
- 4. Anode
- 5. Gnd
- 6. Vout 2
- 7. Vout 1
- 8. VCC

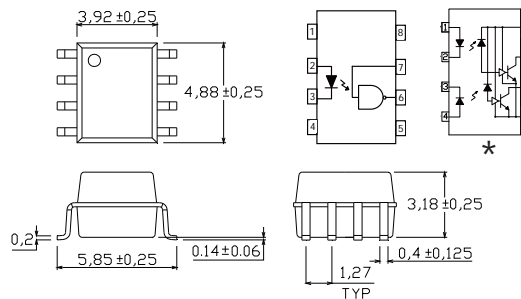
Product	Size (LxWxHmm)	tPHL / tPLH (ns)	Supply Voltage (V)	CTR (%)	Viso (V _{rms})	CMR (V/us)	I _o (mA)
*EL0452	4.88x3.92x3.18	1000 / 1000	30 max.	19~50	3750	1000	8
*EL0453	4.88x3.92x3.18	1000 / 1000	30 max.	19~50	3750	15000	8
EL0500	4.88x3.92x3.18	2000 / 2000	30 max.	7~50	3750	1000	8
EL0501	4.88x3.92x3.18	1000 / 1000	30 max.	19~50	3750	1000	8
EL050L	4.88x3.92x3.18	800 / 800	30 max.	20~50	3750	15000	8
**EL0530	4.88x3.92x3.18	2000 / 2000	30 max.	7~50	3750	1000	8
**EL0531	4.88x3.92x3.18	1000 / 1000	30 max.	19~50	3750	1000	8

Star mark * : Please refer to the schematic of Pin configuration with * * * mark

Photo Coupler



UNIT : mm

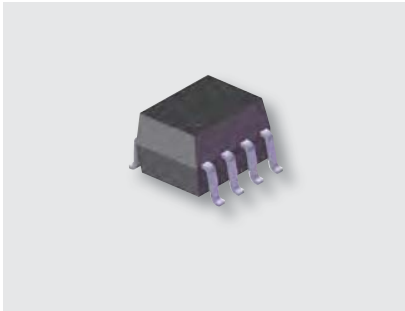


- 1. Anode
- 2. Cathode
- 3. Cathode
- 4. Anode
- 5. Gnd
- 6. Vout 2
- 7. Vout 1
- 8. VCC

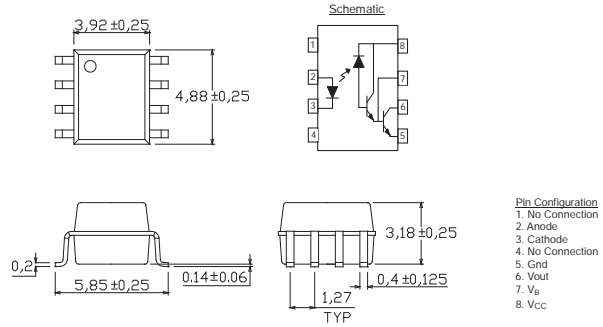
Product	Size (LxWxHmm)	tPHL / tPLH (ns)	Supply Voltage (V)	I _{FT} (mA)	Viso (V _{rms})	CMR (V/us)	I _o (mA)
EL0600	4.88x3.92x3.18	75 / 75	7 max.	5	3750	--	50 max.
EL0601	4.88x3.92x3.18	75 / 75	7 max.	5	3750	5000	50 max.
EL0611	4.88x3.92x3.18	75 / 75	7 max.	5	3750	10000	50 max.
EL060L	4.88x3.92x3.18	75 / 75	7 max.	5	3750	10000	50 max.
*EL0630	4.88x3.92x3.18	100 / 100	7 max.	5	3750	5000	50 max.
*EL0631	4.88x3.92x3.18	100 / 100	7 max.	5	3750	10000	50 max.

Star mark * : Please refer to the schematic of Pin configuration with * * mark

Photo Coupler | High Speed | 8Pin DIP-DC



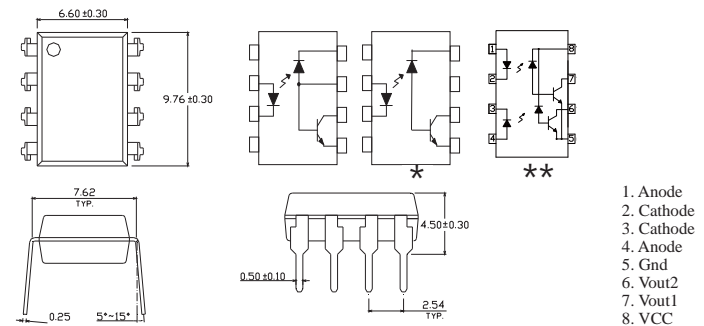
UNIT : mm



Product	Size (LxWxHmm)	tPHL / tPLH (ns)	Supply Voltage (V)	CTR (%)	Viso (V _{rms})	CMR (V/us)	I _o (mA)
EL0700	4.88x3.92x3.18	3000 / 8000	7	2000 typ.	3750	1000	60 max
EL0701	4.88x3.92x3.18	11000 / 20000	18	2500 typ.	3750	1000	60 max



UNIT : mm



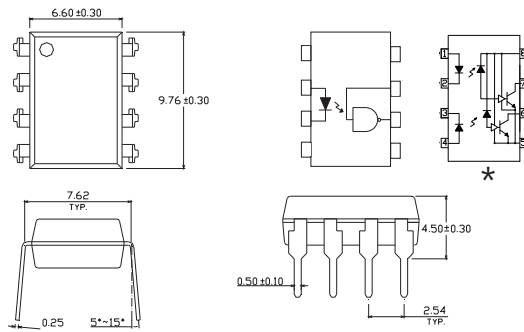
Product	Size (LxWxHmm)	tPHL / tPLH (ns)	Supply Voltage (V)	CTR (%)	Viso (V _{rms})	CMR (V/us)	I _o (mA)
6N135	9.76x6.6x3.5	2000 / 2000	30 max.	7-50	5000	1000	8
6N136	9.76x6.6x3.5	1000 / 1000	30 max.	19-50	5000	1000	8
*EL4502	9.76x6.6x3.5	1000 / 1000	30 max.	19-50	5000	1000	8
*EL4503	9.76x6.6x3.5	1000 / 1000	30 max.	19-50	5000	15000	8
*EL4504	9.76x6.6x3.5	400 / 400	30 max.	25-60	5000	15000	8
**EL2530	9.76x6.6x3.5	2000 / 2000	30 max.	7-50	5000	1000	8
**EL2531	9.76x6.6x3.5	1000 / 1000	30 max.	19-50	5000	1000	8

Star mark * : Please refer to the schematic of Pin configuration with * * * * *

Photo Coupler | High Speed | 8Pin DIP-DC



UNIT : mm



- 1, No Connection
- 2, Anode
- 3, Cathode
- 4, No Connection
- 5, Gnd
- 6, Vout
- 7, VE
- 8, VCC

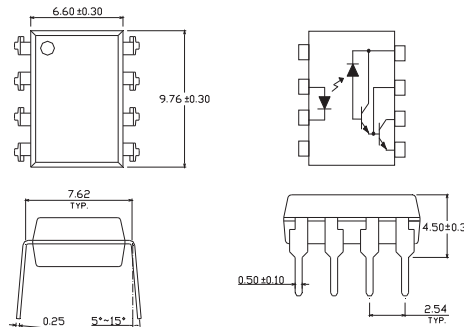
Product	Size (LxWxHmm)	tPHL / tPLH (ns)	Supply Voltage (V)	I _{FT} (mA)	Viso (V _{rms})	CMR (V/us)	I _O (mA)
6N137	9.76x6.6x3.5	75 / 75	7 max.	5	5000	-	50 max.
EL2601	9.76x6.6x3.5	75 / 75	7 max.	5	5000	5000	50 max.
EL2611	9.76x6.6x3.5	75 / 75	7 max.	5	5000	10000	50 max.
EL260L	9.76x6.6x3.5	75 / 75	7 max.	5	5000	10000	50 max.
*EL2630	9.76x6.6x3.5	100 / 100	7 max.	5	5000	5000	50 max.
*EL2631	9.76x6.6x3.5	100 / 100	7 max.	5	5000	10000	50 max.

Star mark * : Please refer to the schematic of Pin configuration with " * " mark

Photo Coupler



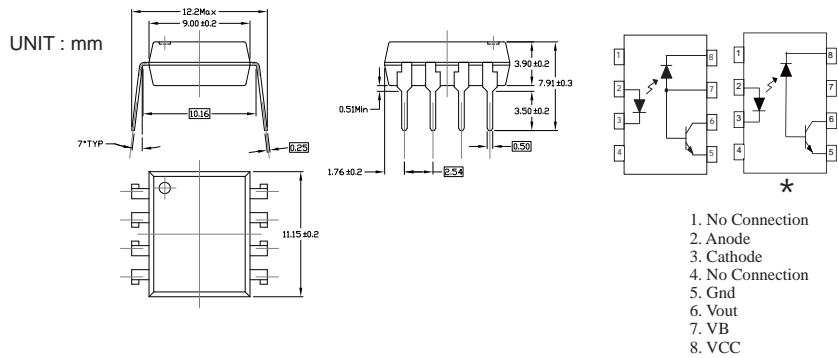
UNIT : mm



- 1, No Connection
- 2, Anode
- 3, Cathode
- 4, No Connection
- 5, Gnd
- 6, Vout
- 7, VB
- 8, VCC

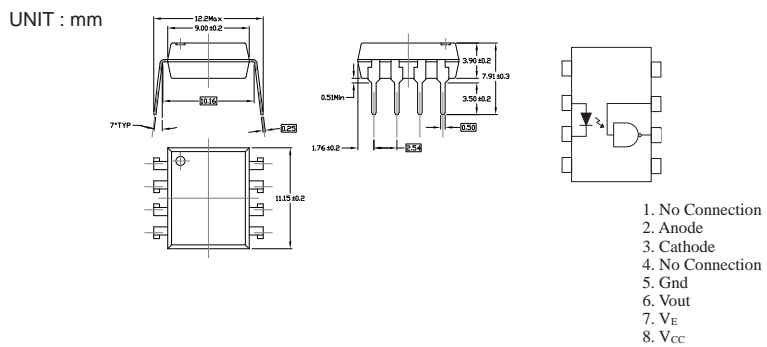
Product	Size (LxWxHmm)	tPHL / tPLH (ns)	Supply Voltage (V)	CTR (%)	Viso (V _{rms})	CMR (V/us)	I _O (mA)
6N138	9.76x6.6x3.5	15000 / 50000	7 max.	300 min.	5000	1000	60 max.
6N139	9.76x6.6x3.5	30000 / 90000	18 max.	500 min.	5000	1000	60 max.

Photo Coupler | High Speed | 8Pin Wide Body DIP-DC



Product	Size (LxWxHmm)	tPHL / tPLH (ns)	Supply Voltage (V)	CTR (%)	Viso (V _{rms})	CMR (V/us)	I _O (mA)
ELW135	11.15x9x3.9	2000 / 2000	30 max.	7~50	5000	1000	8 max.
ELW136	11.15x9x3.9	1000 / 1000	30 max.	19~50	5000	1000	8 max.
*ELW4503	11.15x9x3.9	1000 / 1000	30 max.	19~50	5000	15000	8 max.

Star mark * : Please refer to the schematic of Pin configuration with " * " mark

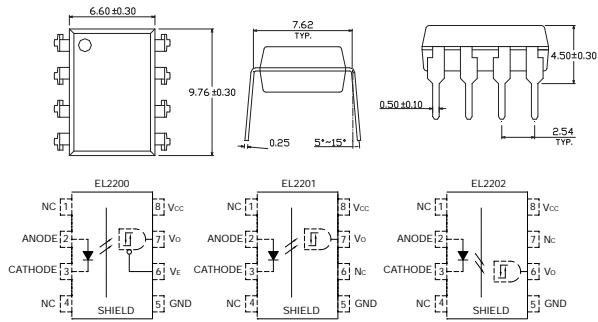


Product	Size (LxWxHmm)	tPHL / tPLH (ns)	Supply Voltage (V)	I _{FT} (mA)	Viso (V _{rms})	CMR (V/us)	I _O (mA)
ELW137	11.15x9x3.9	100 / 100	7 max.	5	5000	-	50 max.
ELW2601	11.15x9x3.9	100 / 100	7 max.	5	5000	5000	50 max.
ELW2611	11.15x9x3.9	100 / 100	7 max.	5	5000	10000	50 max.

Photo Coupler | High Speed Low Input Current | 8Pin SOP-DC



UNIT : mm

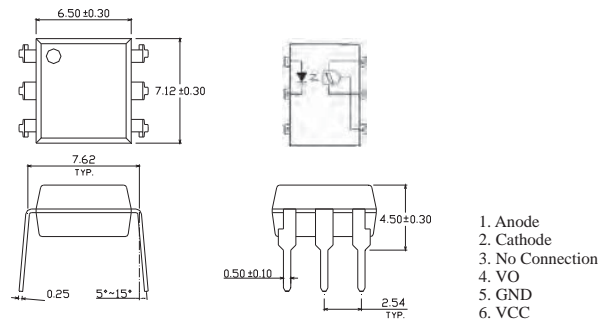


Product	Size (LxWxHmm)	tPHL / tPLH (ns)	Supply Voltage (V)	I _{FT} (mA)	Viso (V _{rms})	CMR (V/us)	I _O (mA)
EL2200	9.76x6.6x3.5	300 / 300	20 max	1.6	5000	1000	25 max
EL2201	9.76x6.6x3.5	300 / 300	20 max	1.6	5000	1000	25 max
EL2202	9.76x6.6x3.5	300 / 300	20 max	1.6	5000	1000	25 max

Photo Coupler | Schmitt Trigger | 6Pin DIP-DC



UNIT : mm

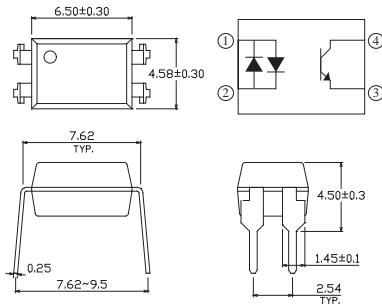


Product	Size (LxWxHmm)	Rise / Fall Time (μs)	Supply Voltage (V)	Viso (V _{rms})	I _{FT} (mA)	I _{CC-Max} (mA)	I _O (mA)
H11L1	7.12x6.5x3.5	0.1 / 0.1	3~15	5000	1.6	5	50 max.
H11L2	7.12x6.5x3.5	0.1 / 0.1	3~15	5000	10	5	50 max.
H11L3	7.12x6.5x3.5	0.1 / 0.1	3~15	5000	5	5	50 max.

Photo Coupler | Transistor | 4Pin DIP-AC



UNIT : mm



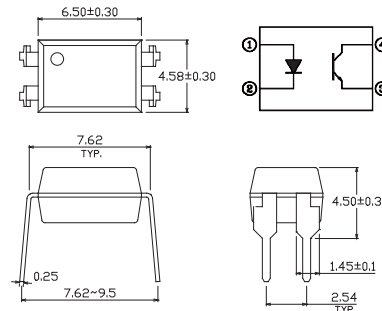
- 1. Anode / Cathode
- 2. Cathode / Anode
- 3. Emitter
- 4. Collector

Product	Size (LxWxHmm)	V _{F_Typ} (V)	Rise / Fall Time (µs)	BV _{CEO_Min} (V)	CTR (%)	Viso (V _{rms})	V _{CE(SAT)_Max} (V)
EL814	6.5x4.58x3.5	1.2	7 / 11	80	20~300	5000	0.2

Photo Coupler | Transistor | 4Pin DIP-DC



UNIT : mm

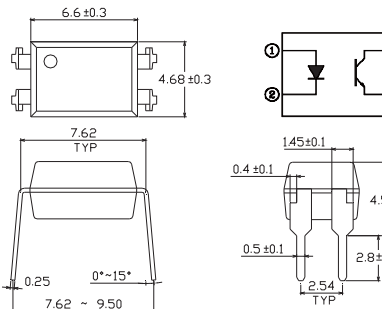


- 1. Anode
- 2. Cathode
- 3. Emitter
- 4. Collector

Product	Size (LxWxHmm)	V _{F_Typ} (V)	Rise / Fall Time (µs)	BV _{CEO_Min} (V)	CTR (%)	Viso (V _{rms})	V _{CE(SAT)_Max} (V)
EL816	6.5x4.58x3.5	1.2	4 / 3	80	50~600	5000	0.2
EL817	6.5x4.58x3.5	1.2	4 / 3	35	50~600	5000	0.2
EL817-G	6.5x4.58x3.5	1.2	6 / 8	80	50~600	5000	0.2
EL851	6.5x4.58x3.5	1.2	4 / 5	350	50~600	5000	0.4



UNIT : mm



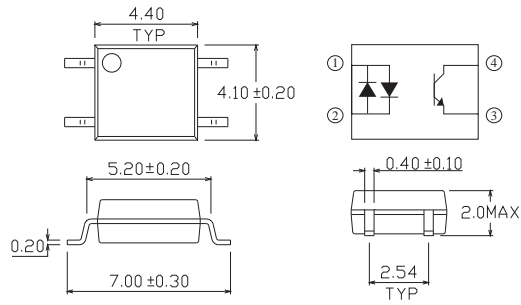
- 1. Anode
- 2. Cathode
- 3. Emitter
- 4. Collector

Product	Size (LxWxHmm)	V _{F_Typ} (V)	Rise / Fall Time (µs)	BV _{CEO_Min} (V)	CTR (%)	Viso (V _{rms})	V _{CE(SAT)_Max} (V)
EL617	6.6x4.68x3.5	1.2	4 / 3	80	50~600	5000	0.2

Photo Coupler | Transistor | 4Pin SOP-AC



UNIT : mm



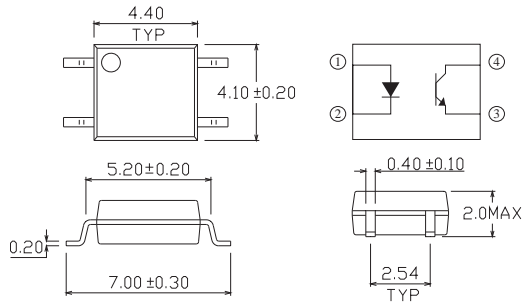
- 1. Anode / Cathode
- 2. Cathode / Anode
- 3. Emitter
- 4. Collector

Product	Size (LxWxHmm)	V _{F_Typ} (V)	Rise / Fall Time (μs)	BV _{CEO_Min} (V)	CTR (%)	Viso (V _{rms})	V _{CE(SAT)_Max} (V)
EL354N-G	4.4x4.1x2	1.2	6 / 8	80	20~300	3750	0.2

Photo Coupler | Transistor | 4Pin SOP-DC



UNIT : mm

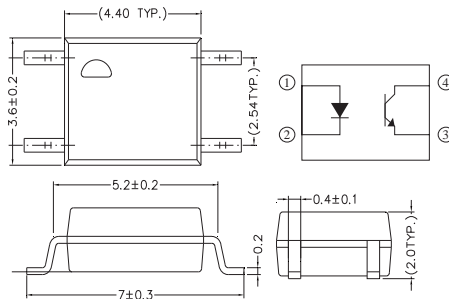


- 1. Anode
- 2. Cathode
- 3. Emitter
- 4. Collector

Product	Size (LxWxHmm)	V _{F_Typ} (V)	Rise / Fall Time (μs)	BV _{CEO_Min} (V)	CTR (%)	Viso (V _{rms})	V _{CE(SAT)_Max} (V)
EL357N-G	4.4x4.1x2	1.2	3 / 4	80	50~600	3750	0.2



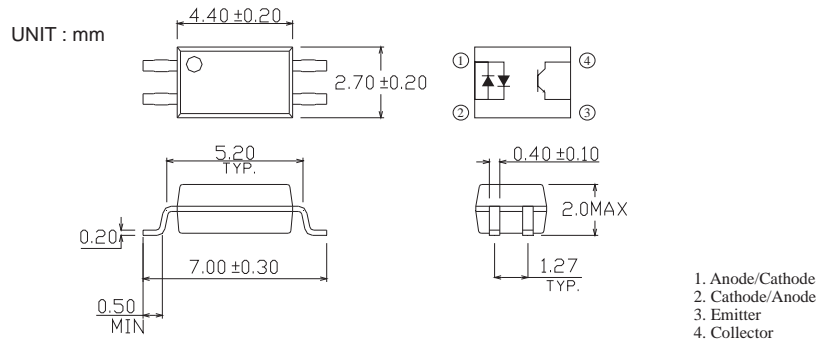
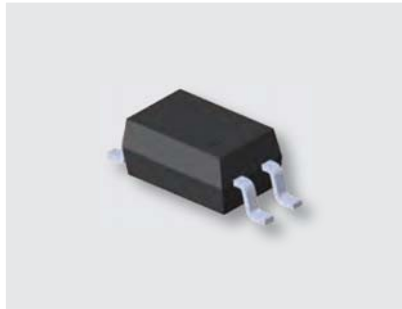
UNIT : mm



- 1. Anode
- 2. Cathode
- 3. Emitter
- 4. Collector

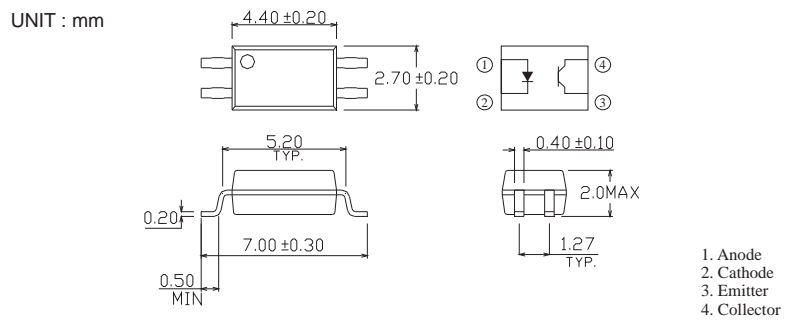
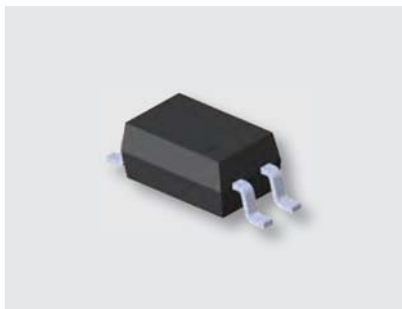
Product	Size (LxWxHmm)	V _{F_Typ} (V)	Rise / Fall Time (μs)	BV _{CEO_Min} (V)	CTR (%)	Viso (V _{rms})	V _{CE(SAT)_Max} (V)
EL121N	4.4x3.6x2	1.2	3 / 4	80	50~600	3750	0.2

Photo Coupler | Transistor | 4Pin SSOP-AC



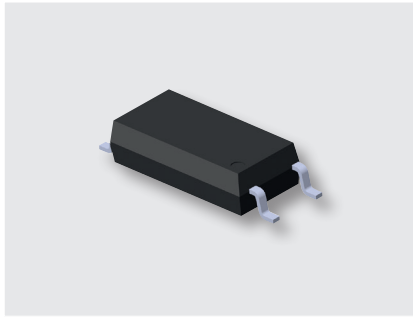
Product	Size (LxWxHmm)	V _{F_Typ} (V)	Rise / Fall Time (μs)	BV _{CEO_Min} (V)	CTR (%)	Viso (V _{rms})	V _{CE(SAT)_Max} (V)
EL3H4-G	4.4x2.7x2	1.2	6 / 8	80	20-300	3750	0.2

Photo Coupler | Transistor | 4Pin SSOP-DC

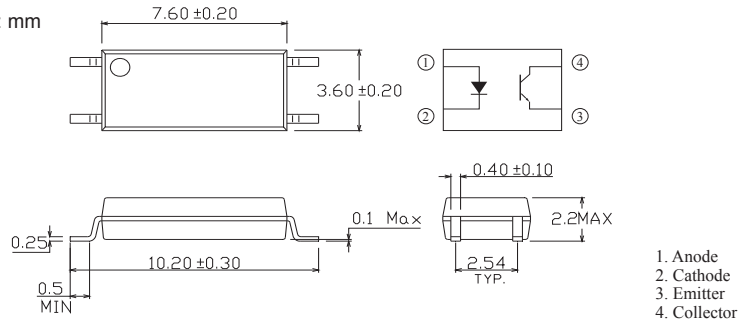


Product	Size (LxWxHmm)	V _{F_Typ} (V)	Rise / Fall Time (μs)	BV _{CEO_Min} (V)	CTR (%)	Viso (V _{rms})	V _{CE(SAT)_Max} (V)
EL3H7-G	4.4x2.7x2	1.2	5 / 3	80	50-600	3750	0.2

Photo Coupler | Transistor | 4Pin LSOP-DC



UNIT : mm

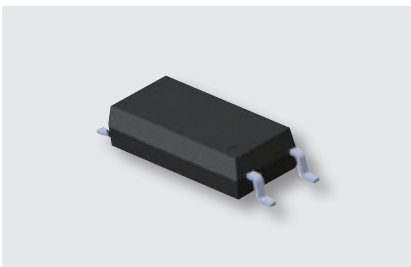


- 1. Anode
- 2. Cathode
- 3. Emitter
- 4. Collector

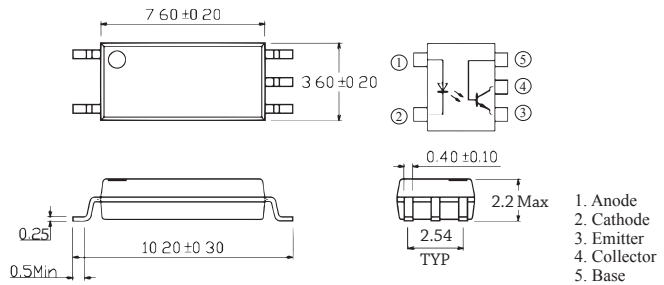
Product	Size (LxWxHmm)	V _{F_Typ} (V)	Rise / Fall Time (μs)	BV _{CEO_Min} (V)	CTR (%)	Viso (V _{rms})	V _{CE(SAT)_Max} (V)
EL1010-G	7.6x3.6x2.2	1.45	2 / 3	80	50~600	5000	0.3
EL1012-G	7.6x3.6x2.2	1.45	2 / 3	80	63~125	5000	0.3
EL1013-G	7.6x3.6x2.2	1.45	2 / 3	80	100~200	5000	0.3
EL1014-G	7.6x3.6x2.2	1.45	2 / 3	80	160~320	5000	0.3
EL1017-G	7.6x3.6x2.2	1.45	2 / 3	80	80~160	5000	0.3
EL1018-G	7.6x3.6x2.2	1.45	2 / 3	80	130~260	5000	0.3
EL1019-G	7.6x3.6x2.2	1.45	2 / 3	80	200~400	5000	0.3

Photo Coupler

Photo Coupler | Transistor | 5Pin LSOP-DC



UNIT : mm



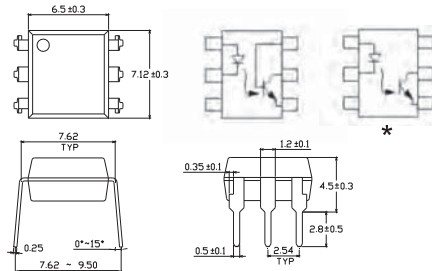
- 1. Anode
- 2. Cathode
- 3. Emitter
- 4. Collector
- 5. Base

Product	Size (LxWxHmm)	V _{F_Typ} (V)	Rise / Fall Time (μs)	BV _{CEO_Min} (V)	CTR (%)	Viso (V _{rms})	V _{CE(SAT)_Max} (V)
EL1110-G	7.6x3.6x2.2	1.45	2 / 3	80	50~600	5000	0.4
EL1112-G	7.6x3.6x2.2	1.45	2 / 3	80	63~125	5000	0.4
EL1113-G	7.6x3.6x2.2	1.45	2 / 3	80	100~200	5000	0.4
EL1114-G	7.6x3.6x2.2	1.45	2 / 3	80	160~320	5000	0.4
EL1116-G	7.6x3.6x2.2	1.45	2 / 3	80	100~300	5000	0.4
EL1117-G	7.6x3.6x2.2	1.45	2 / 3	80	80~160	5000	0.4
EL1118-G	7.6x3.6x2.2	1.45	2 / 3	80	130~260	5000	0.4
EL1119-G	7.6x3.6x2.2	1.45	2 / 3	80	200~400	5000	0.4

Photo Coupler | Transistor | 6Pin DIP-DC



UNIT : mm



- 1. Anode
- 2. Cathode
- 3. No Connection
- 4. Emitter
- 5. Collector
- 6. Base

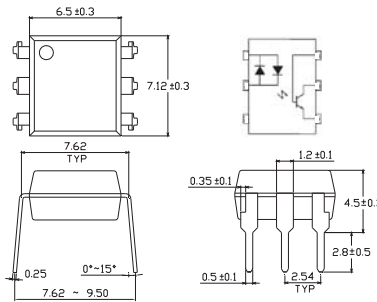
Product	Size (LxWxHmm)	V _F -Typ (V)	Rise / Fall Time (µs)	BV _{CEO} -Min (V)	CTR (%)	V _{iso} (V _{rms})	V _{CE(SAT)} -Max (V)
4N25	7.12x6.5x3.5	1.2	3 / 3	80	20 min.	5000	0.5
4N26	7.12x6.5x3.5	1.2	3 / 3	80	20 min.	5000	0.5
4N27	7.12x6.5x3.5	1.2	3 / 3	80	10 min.	5000	0.5
4N28	7.12x6.5x3.5	1.2	3 / 3	80	10 min.	5000	0.5
4N35	7.12x6.5x3.5	1.2	10 / 9	80	100 min.	5000	0.3
4N36	7.12x6.5x3.5	1.2	10 / 9	80	100 min.	5000	0.3
4N37	7.12x6.5x3.5	1.2	10 / 9	80	100 min.	5000	0.3
4N38	7.12x6.5x3.5	1.2	10 / 9	80	20 min.	5000	1
CNY17-1	7.12x6.5x3.5	--	6 / 8	80	40~80	5000	0.3
CNY17-2	7.12x6.5x3.5	--	6 / 8	80	63~125	5000	0.3
CNY17-3	7.12x6.5x3.5	--	6 / 8	80	100~200	5000	0.3
CNY17-4	7.12x6.5x3.5	--	6 / 8	80	160~320	5000	0.3
*CNY17F-1	7.12x6.5x3.5	--	6 / 8	80	40~80	5000	0.3
*CNY17F-2	7.12x6.5x3.5	--	6 / 8	80	63~125	5000	0.3
*CNY17F-3	7.12x6.5x3.5	--	6 / 8	80	100~200	5000	0.3
*CNY17F-4	7.12x6.5x3.5	--	6 / 8	80	160~320	5000	0.3
H11A1	7.12x6.5x3.5	1.2	3 / 3	80	50 min.	5000	0.4
H11A2	7.12x6.5x3.5	1.2	3 / 3	80	20 min.	5000	0.4
H11A3	7.12x6.5x3.5	1.2	3 / 3	80	20 min.	5000	0.4
H11A4	7.12x6.5x3.5	1.2	3 / 3	80	10 min.	5000	0.4
H11A5	7.12x6.5x3.5	1.2	3 / 3	80	30 min.	5000	0.4
MCT2E	7.12x6.5x3.5	1.23	3 / 3	80	20 min.	5000	0.4
TIL111	7.12x6.5x3.5	1.22	6 / 8	80	--	5000	0.4
TIL117	7.12x6.5x3.5	--	6 / 8	80	50 min.	5000	0.4

Star mark * : Please refer to the schematic of Pin configuration with " * " mark

Photo Coupler | Transistor | 6Pin DIP-AC



UNIT : mm



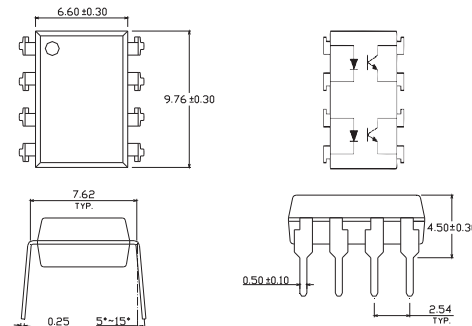
1. Anode/Cathode
2. Cathode/Anode
3. No Connection
4. Emitter
5. Collector
6. Base

Product	Size (LxWxHmm)	V _{F-Typ} (V)	Rise / Fall Time (µs)	BV _{CEO} Min (V)	CTR (%)	Viso (V _{rms})	V _{CE(SAT)} Max (V)
H11AA1	7.12x6.5x3.5	1.2	10 / 10	80	20 min.	5000	0.4
H11AA2	7.12x6.5x3.5	1.2	10 / 10	80	10 min.	5000	0.4
H11AA3	7.12x6.5x3.5	1.2	10 / 10	80	50 min.	5000	0.4
H11AA4	7.12x6.5x3.5	1.2	10 / 10	80	100 min.	5000	0.4

Photo Coupler | Transistor | 8Pin DIP-DC



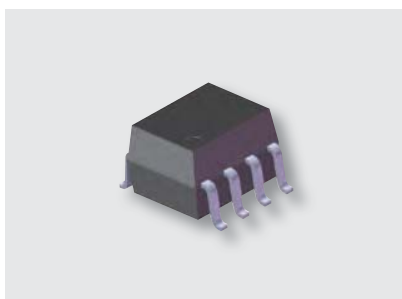
UNIT : mm



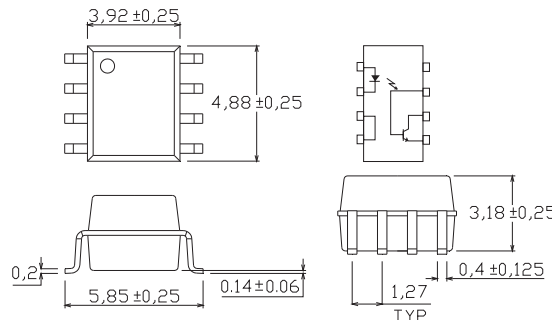
- 1, 3. Anode
- 2, 4. Cathode
5. Emitter
- 6, 8. Collector

Product	Size (LxWxHmm)	V _{F-Typ} (V)	Rise / Fall Time (µs)	BV _{CEO} Min (V)	CTR (%)	Viso (V _{rms})	V _{CE(SAT)} Max (V)
EL827	9.76x6.5x3.5	1.2	3 / 4	80	50~600	5000	0.2

Photo Coupler | Transistor | 8Pin SOP-DC



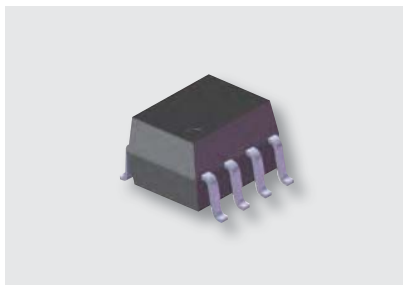
UNIT : mm



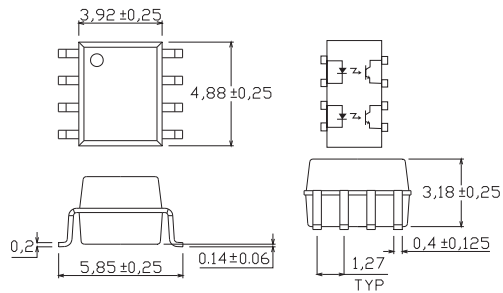
1. Anode
2. Cathode
3. No Connection
4. No Connection
5. Emitter
6. Collector
7. Base
8. No Connection

Product	Size (LxWxHmm)	V _{F-Typ} (V)	Rise / Fall Time (µs)	BV _{CEO} Min (V)	CTR (%)	Viso (V _{rms})	V _{CE(SAT)} Max (V)
EL205	4.88x3.92x3.18	1.3	1.6 / 2.2	80	40~80	3750	0.4
EL206	4.88x3.92x3.18	1.3	1.6 / 2.2	80	63~125	3750	0.4
EL207	4.88x3.92x3.18	1.3	1.6 / 2.2	80	100~200	3750	0.4
EL208	4.88x3.92x3.18	1.3	1.6 / 2.2	80	160~320	3750	0.4
EL211	4.88x3.92x3.18	1.3	1.6 / 2.2	80	20 min.	3750	0.4
EL212	4.88x3.92x3.18	1.3	1.6 / 2.2	80	50 min.	3750	0.4
EL213	4.88x3.92x3.18	1.3	1.6 / 2.2	80	100 min.	3750	0.4
EL215	4.88x3.92x3.18	1.3	1.6 / 2.2	80	10 min.	3750	0.4
EL216	4.88x3.92x3.18	1.3	1.6 / 2.2	80	50 min.	3750	0.4
EL217	4.88x3.92x3.18	1.3	1.6 / 2.2	80	100 min.	3750	0.4

Photo Coupler | Transistor | 8Pin SOP-DC



UNIT : mm



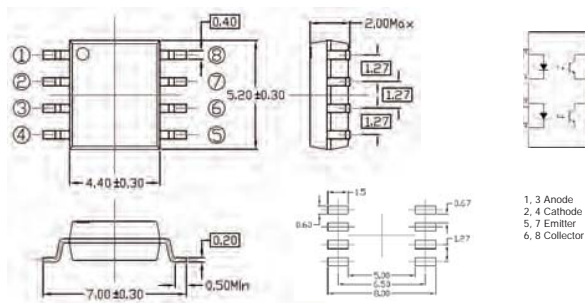
- 1. Anode
- 2. Cathode
- 3. No Connection
- 4. No Connection
- 5. Emitter
- 6. Collector
- 7. Base
- 8. No Connection

Product	Size (LxWxHmm)	V _F _Typ (V)	Rise / Fall Time (μs)	BV _{CEO} _Min (V)	CTR (%)	Viso (V _{rms})	V _{CE(SAT)} _Max (V)
ELD205	4.88x3.92x3.18	1.2	1.6 / 2.2	80	40~80	3750	0.4
ELD206	4.88x3.92x3.18	1.2	1.6 / 2.2	80	63~125	3750	0.4
ELD207	4.88x3.92x3.18	1.2	1.6 / 2.2	80	100~200	3750	0.4
ELD211	4.88x3.92x3.18	1.2	1.6 / 2.2	80	20 min.	3750	0.4
ELD213	4.88x3.92x3.18	1.2	1.6 / 2.2	80	100 min.	3750	0.4
ELD217	4.88x3.92x3.18	1.2	1.6 / 2.2	80	100 min.	3750	0.4

Photo Coupler | Transistor | 8Pin SSOP-DC



UNIT : mm



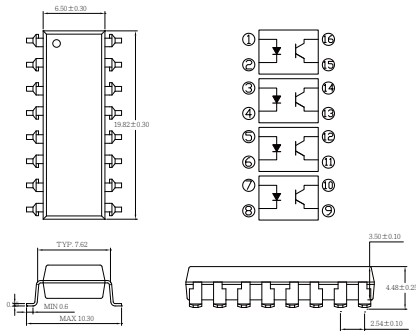
- 1, 3 Anode
- 2, 4 Cathode
- 5, 7 Emitter
- 6, 8 Collector

Product	Size (LxWxHmm)	V _F _Typ (V)	Rise / Fall Time (μs)	BV _{CEO} _Min (V)	CTR (%)	Viso (V _{rms})	V _{CE(SAT)} _Max (V)
ELD3H7	5.2x4.4x2	1.2	5 / 3	80	50~600	3750	0.2

Photo Coupler | Transistor | 16Pin DIP-DC



UNIT : mm



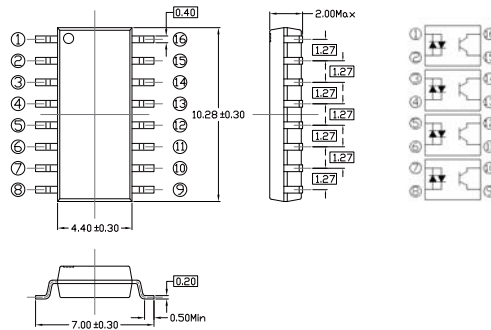
1, 3, 5, 7 Anode
2, 4, 6, 8 Cathode
9,11,13,15 Emitter
10,12,14,16 Collector

Product	Size (LxWxHmm)	V_{F_Typ} (V)	Rise / Fall Time (μ s)	BV_{CEO_Min} (V)	CTR (%)	Viso (V_{rms})	$V_{CE(SAT)_Max}$ (V)
EL847	19.82x6.5x3.5	1.2	4 / 3	80	50~600	5000	0.2

Photo Coupler | Transistor | 16Pin SSOP-AC



UNIT : mm



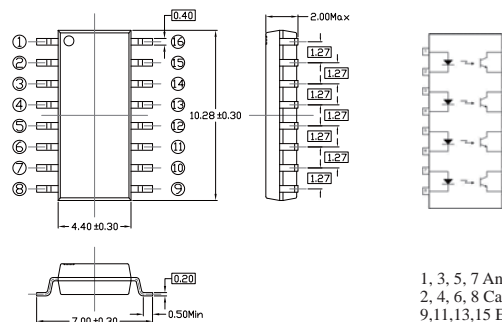
1, 3, 5, 7 Anode/Cathode
2, 4, 6, 8 Cathode/Anode
9,11,13,15 Emitter
10,12,14,16 Collector

Product	Size (LxWxHmm)	V_{F_Typ} (V)	Rise / Fall Time (μ s)	BV_{CEO_Min} (V)	CTR (%)	Viso (V_{rms})	$V_{CE(SAT)_Max}$ (V)
ELQ3H4	10.28x4.4x2	1.2	5 / 3	80	20~300	3750	0.2

Photo Coupler | Transistor | 16Pin SSOP-DC



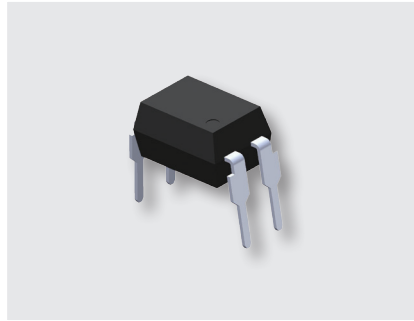
UNIT : mm



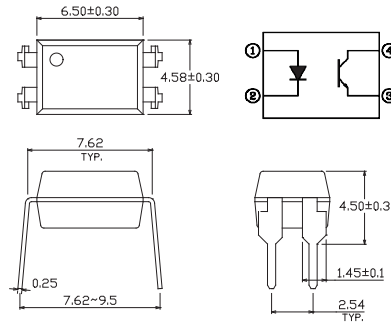
1, 3, 5, 7 Anode
2, 4, 6, 8 Cathode
9,11,13,15 Emitter

Product	Size (LxWxHmm)	V_{F_Typ} (V)	Rise / Fall Time (μ s)	BV_{CEO_Min} (V)	CTR (%)	Viso (V_{rms})	$V_{CE(SAT)_Max}$ (V)
ELQ3H7	10.28x4.4x2	1.2	5 / 3	80	50~600	3750	0.2

Photo Coupler | Transistor Low Input Current | 4pin DIP-DC



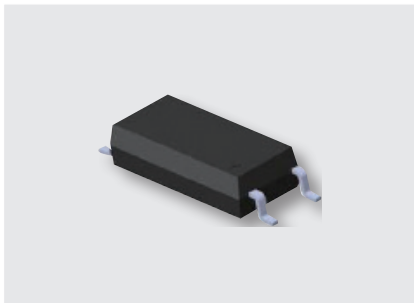
UNIT : mm



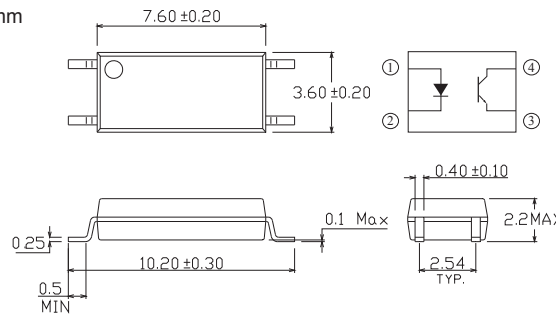
- 1. Anode
- 2. Cathode
- 3. Emitter
- 4. Collector

Product	Size (LxWxHmm)	V _{F_Typ} (V)	Rise / Fall Time (μs)	BV _{CEO} Min (V)	CTR (%)	Viso (V _{rms})	V _{CE(SAT)} Max (V)
EL8171	6.5×4.58×3.5	1.2	6 / 8	70	100~350	5000	0.2

Photo Coupler | Transistor Low Input Current | 4pin LSOP-DC



UNIT : mm



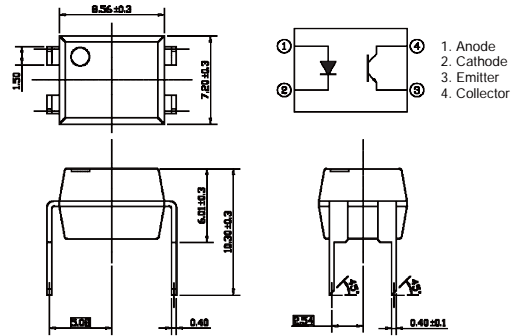
- 1. Anode
- 2. Cathode
- 3. Emitter
- 4. Collector

Product	Size (LxWxHmm)	V _{F_Typ} (V)	Rise / Fall Time (μs)	BV _{CEO} Min (V)	CTR (%)	Viso (V _{rms})	V _{CE(SAT)} Max (V)
EL357L	7.6×3.6×2.2	1.45	7 / 8	80	63~300	5000	0.4
EL357L(A)	7.6×3.6×2.2	1.45	7 / 8	80	63~125	5000	0.4
EL357L(B)	7.6×3.6×2.2	1.45	7 / 8	80	100~200	5000	0.4

Photo Coupler | Transistor High Isolation | 4pin DIP-DC



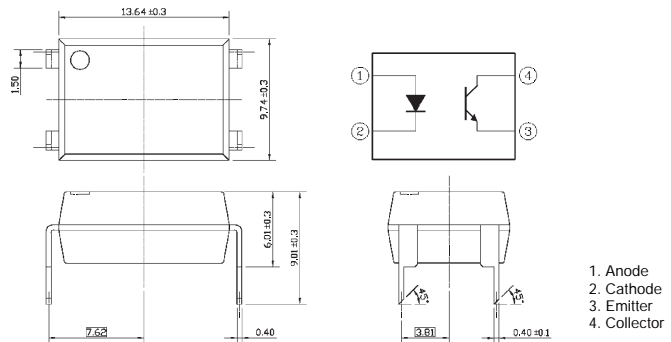
UNIT : mm



Product	Size (LxWxHmm)	V _{F_Typ} (V)	Rise / Fall Time (μs)	BV _{CEO_Min} (V)	CTR (%)	Viso (V _{rms})	V _{CE(SAT)_Max} (V)
CNY64	8.56x7.2x6.01	1.6	3 / 5	80	50~300	8200	0.3

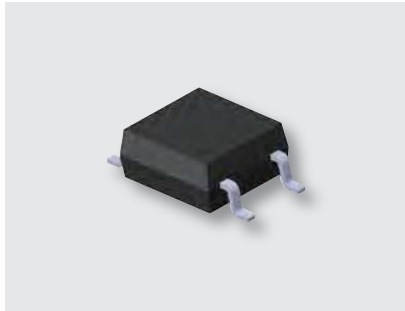


UNIT : mm

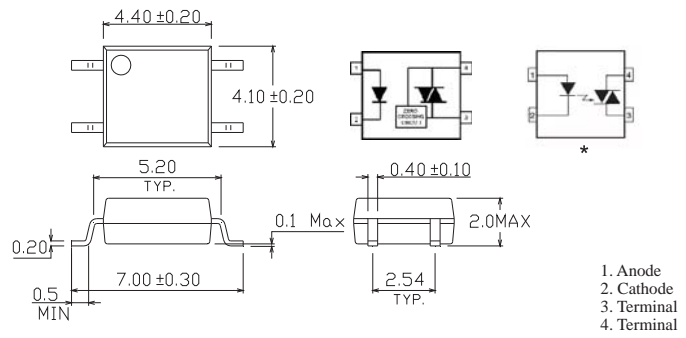


Product	Size (LxWxHmm)	V _{F_Typ} (V)	Rise / Fall Time (μs)	BV _{CEO_Min} (V)	CTR (%)	Viso (V _{rms})	V _{CE(SAT)_Max} (V)
CNY65	13.64x9.74x6.01	1.6	3 / 5	80	50~300	8200	0.3

Photo Coupler | Triac | 4Pin SOP-DC



UNIT : mm



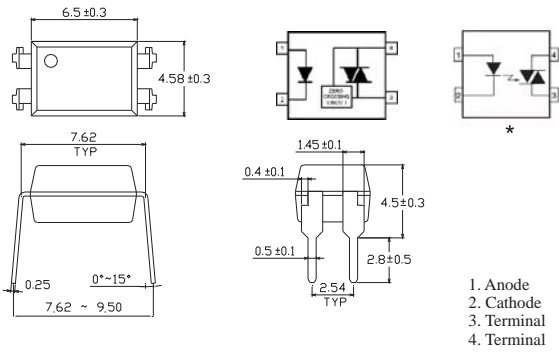
Product	Size (LxWxHmm)	V _{TM} (V)	V _{INH} (V)	V _{DRM} (V)	V _{F_Max} (V)	Viso (V _{rms})	I _{FT} (mA)
ELM3042	4.4x4.1x2	3	20	400	1.5	3750	10
ELM3043	4.4x4.1x2	3	20	400	1.5	3750	5
ELM3044	4.4x4.1x2	3	20	400	1.5	3750	3
ELM3062	4.4x4.1x2	3	20	600	1.5	3750	10
ELM3063	4.4x4.1x2	3	20	600	1.5	3750	5
ELM3064	4.4x4.1x2	3	20	600	1.5	3750	3
ELM3082	4.4x4.1x2	3	20	800	1.5	3750	10
ELM3083	4.4x4.1x2	3	20	800	1.5	3750	5
ELM3084	4.4x4.1x2	3	20	800	1.5	3750	3
*ELM3022	4.4x4.1x2	2.5	--	400	1.2	3750	10
*ELM3023	4.4x4.1x2	2.5	--	400	1.2	3750	5
*ELM3024	4.4x4.1x2	2.5	--	400	1.2	3750	3
*ELM3052	4.4x4.1x2	2.5	--	600	1.2	3750	10
*ELM3053	4.4x4.1x2	2.5	--	600	1.2	3750	5
*ELM3054	4.4x4.1x2	2.5	--	600	1.2	3750	3

Star mark * : Please refer to the schematic of Pin configuration with " * " mark

Photo Coupler | Triac | 4Pin DIP-DC



UNIT : mm



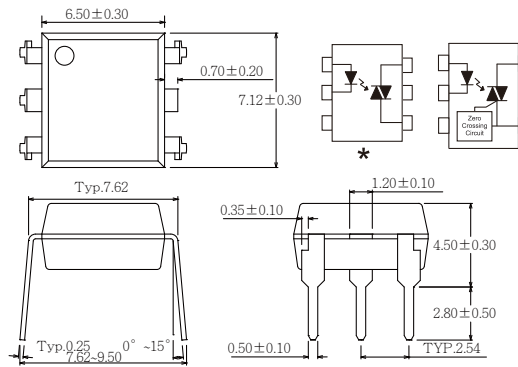
Product	Size (LxWxHmm)	V _{TM} (V)	V _{INH} (V)	V _{DRM} (V)	V _{F_Max} (V)	Viso (V _{rms})	I _{FT} (mA)
ELT3041	6.5x4.58x3.5	3	20	400	1.5	5000	15
ELT3042	6.5x4.58x3.5	3	20	400	1.5	5000	10
ELT3043	6.5x4.58x3.5	3	20	400	1.5	5000	5
ELT3061	6.5x4.58x3.5	3	20	600	1.5	5000	15
ELT3062	6.5x4.58x3.5	3	20	600	1.5	5000	10
ELT3063	6.5x4.58x3.5	3	20	600	1.5	5000	5
ELT3081	6.5x4.58x3.5	3	20	800	1.5	5000	15
ELT3082	6.5x4.58x3.5	3	20	800	1.5	5000	10
ELT3083	6.5x4.58x3.5	3	20	800	1.5	5000	5
*ELT3021	6.5x4.58x3.5	2.5	-	400	1.2	5000	15
*ELT3022	6.5x4.58x3.5	2.5	-	400	1.2	5000	10
*ELT3023	6.5x4.58x3.5	2.5	-	400	1.2	5000	5
*ELT3051	6.5x4.58x3.5	2.5	-	600	1.2	5000	15
*ELT3052	6.5x4.58x3.5	2.5	-	600	1.2	5000	10
*ELT3053	6.5x4.58x3.5	2.5	-	600	1.2	5000	5

Star mark * : Please refer to the schematic of Pin configuration with " * " mark

Photo Coupler | Triac | 5Pin DIP-DC



UNIT : mm



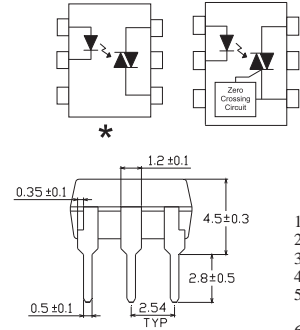
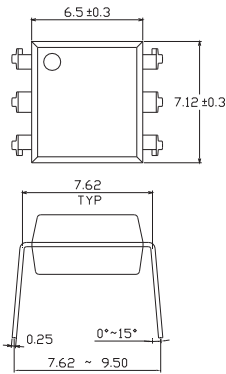
1. Anode
2. Cathode
3. No Connection
4. Terminal
5. Pin Cut
6. Terminal

Product	Size (LxWxHmm)	V _{TM} (V)	V _{INH} (V)	V _{DRM} (V)	V _{F_Typ} (V)	Viso (V _{rms})	I _{FT} (mA)
EL3031(P5)	7.12x6.5x3.5	3	20	250	--	5000	15
EL3032(P5)	7.12x6.5x3.5	3	20	250	--	5000	10
EL3033(P5)	7.12x6.5x3.5	3	20	250	--	5000	5
EL3041(P5)	7.12x6.5x3.5	3	20	400	--	5000	15
EL3042(P5)	7.12x6.5x3.5	3	20	400	--	5000	10
EL3043(P5)	7.12x6.5x3.5	3	20	400	--	5000	5
EL3061(P5)	7.12x6.5x3.5	3	20	600	--	5000	15
EL3062(P5)	7.12x6.5x3.5	3	20	600	--	5000	10
EL3063(P5)	7.12x6.5x3.5	3	20	600	--	5000	5
EL3081(P5)	7.12x6.5x3.5	3	20	800	--	5000	15
EL3082(P5)	7.12x6.5x3.5	3	20	800	--	5000	10
EL3083(P5)	7.12x6.5x3.5	3	20	800	--	5000	5
*EL3010(P5)	7.12x6.5x3.5	2.5	--	250	1.18	5000	15
*EL3011(P5)	7.12x6.5x3.5	2.5	--	250	1.18	5000	10
*EL3012(P5)	7.12x6.5x3.5	2.5	--	250	1.18	5000	5
*EL3021(P5)	7.12x6.5x3.5	2.5	--	400	1.18	5000	15
*EL3022(P5)	7.12x6.5x3.5	2.5	--	400	1.18	5000	10
*EL3023(P5)	7.12x6.5x3.5	2.5	--	400	1.18	5000	5
*EL3051(P5)	7.12x6.5x3.5	2.5	--	600	1.18	5000	15
*EL3052(P5)	7.12x6.5x3.5	2.5	--	600	1.18	5000	10
*EL3053(P5)	7.12x6.5x3.5	2.5	--	600	1.18	5000	5

Photo Coupler | Triac | 6Pin DIP-DC



UNIT : mm



- 1. Anode
- 2. Cathode
- 3. No Connection
- 4. Terminal
- 5. Substrate (do not connect)
- 6. Terminal

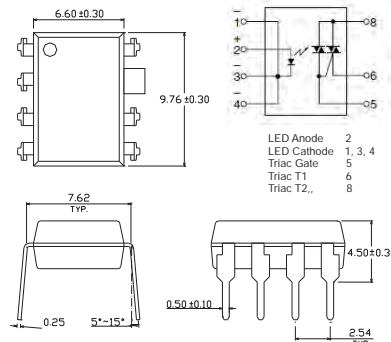
Product	Size (LxWxHmm)	V _{TM} (V)	V _{INH} (V)	V _{DRM} (V)	V _{F_Typ} (V)	Viso (V _{rms})	I _{FT} (mA)
EL3031	7.12x6.5x3.5	3	20	250	--	5000	15
EL3032	7.12x6.5x3.5	3	20	250	--	5000	10
EL3033	7.12x6.5x3.5	3	20	250	--	5000	5
EL3041	7.12x6.5x3.5	3	20	400	--	5000	15
EL3042	7.12x6.5x3.5	3	20	400	--	5000	10
EL3043	7.12x6.5x3.5	3	20	400	--	5000	5
EL3061	7.12x6.5x3.5	3	20	600	--	5000	15
EL3062	7.12x6.5x3.5	3	20	600	--	5000	10
EL3063	7.12x6.5x3.5	3	20	600	--	5000	5
EL3081	7.12x6.5x3.5	3	20	800	--	5000	15
EL3082	7.12x6.5x3.5	3	20	800	--	5000	10
EL3083	7.12x6.5x3.5	3	20	800	--	5000	5
*EL3010	7.12x6.5x3.5	2.5	--	250	1.18	5000	15
*EL3011	7.12x6.5x3.5	2.5	--	250	1.18	5000	10
*EL3012	7.12x6.5x3.5	2.5	--	250	1.18	5000	5
*EL3021	7.12x6.5x3.5	2.5	--	400	1.18	5000	15
*EL3022	7.12x6.5x3.5	2.5	--	400	1.18	5000	10
*EL3023	7.12x6.5x3.5	2.5	--	400	1.18	5000	5
*EL3051	7.12x6.5x3.5	2.5	--	600	1.18	5000	15
*EL3052	7.12x6.5x3.5	2.5	--	600	1.18	5000	10
*EL3053	7.12x6.5x3.5	2.5	--	600	1.18	5000	5

Star mark * : Please refer to the schematic of Pin configuration with " * " mark

Photo Coupler | Photo Power Triac | 7pin DIP-DC



UNIT : mm

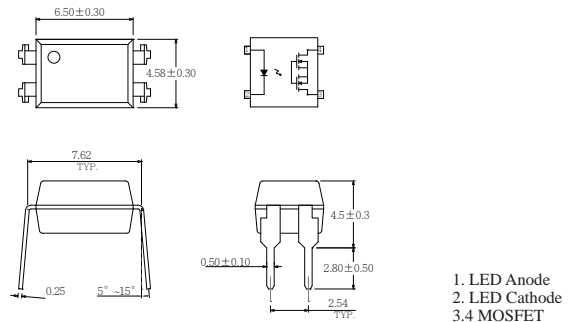


Product	Size (LxWxHmm)	IT(rms) (A)	VDRM (V)	ITSM(A)	VTM (V)	Viso (Vrms)	IFT (mA)
ELR0223	9.76x6.5x3.5	0.3	600V	3	2.5	5000	10
ELR3223	9.76x6.5x3.5	1.2	600V	12	2.5	5000	10

Photo Coupler | Solid State Relay | 4Pin DIP-DC



UNIT : mm

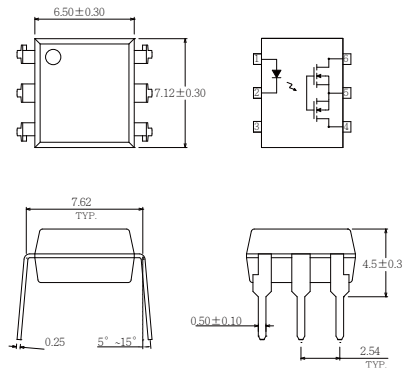


Product	Size (LxWxHmm)	Output type	Load Voltage (V)	Load Current (mA)	Ron Typ.(Ω)	Ifon max. (mA)	Viso (Vrms)
EL406A	6.5x4.58x3.5	Normally Open 1a	60	550	0.75	5	5000
EL425A	6.5x4.58x3.5	Normally Open 1a	250	180	6.5	5	5000
EL440A	6.5x4.58x3.5	Normally Open 1a	400	120	20	5	5000
EL460A	6.5x4.58x3.5	Normally Open 1a	600	50	40	5	5000

Photo Coupler | Solid State Relay | 6Pin DIP-DC



UNIT : mm



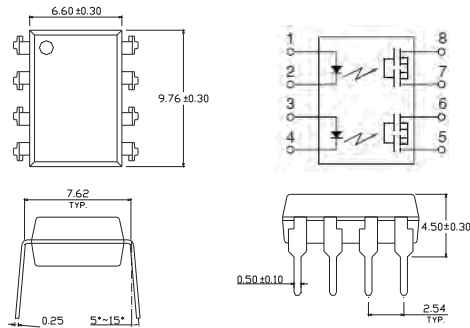
1. LED Anode
2. LED Cathode
3. No Connection
- 4.6 MOSFET Drain
5. MOSFET Source

Product	Size (LxWxHmm)	Output type	Load Voltage (V)	Load Current (mA)	Ron Typ.(Ω)	Ifon max. (mA)	Viso (Vrms)
EL606A	7.12x6.5x3.5	Normally Open 1a	60	550	0.75	3	5000
EL625A	7.12x6.5x3.5	Normally Open 1a	250	180	6.5	3	5000
EL640A	7.12x6.5x3.5	Normally Open 1a	400	120	20	3	5000
EL660A	7.12x6.5x3.5	Normally Open 1a	600	50	40	3	5000

Photo Coupler | Solid State Relay | 8Pin DIP-DC



UNIT : mm



- 1, 3 LED Anode
- 2, 4 LED Cathode
- 8, 7, 6, 5 MOSFET

Product	Size (LxWxHmm)	Output type	Load Voltage (V)	Load Current (mA)	Ron Typ.(Ω)	Ifon max. (mA)	Viso (Vrms)
EL840A	9.76x6.5x3.5	Normally Open 2 Form A	400	120	20	5	5000
EL860A	9.76x6.5x3.5	Normally Open 2 Form A	600	50	40	5	5000

Notice

The content of this Catalogue is provided for informational purposes only. EVERLIGHT makes no representations about the accuracy, reliability, completeness of the information in this catalogue. EVERLIGHT may, at its sole discretion, revise the specifications, appearance, structures and materials herein without notice for the purpose of improvement. Please contact EVERLIGHT sales should you require more information on a product or its application.

This Catalogue does not contain any guarantee or agreed quality of EVERLIGHT's products or any warranty of merchantability, intellectual property, and fitness for a particular purpose. EVERLIGHT's obligation and responsibilities regarding its products are governed solely by the agreements under which they are sold. Unless otherwise agreed in writing, the information contained herein does not become part of the agreements.

The trademarks and logos ("Trademarks") displayed in this Catalogue are the property of EVERLIGHT and/or its affiliates. Nothing in this Catalogue should be construed as granting any licenses or right to the Trademarks. Without the express written consent of EVERLIGHT, the use of the Trademarks is prohibited.

All text, images, graphics and other materials contained in this Catalogue are subject to the copyright and other intellectual property rights of EVERLIGHT and/or its affiliates.

Structure and materials incorporated in LED packages may change according to customer's requests. Any LED package incorporating β -SiAlON phosphor are licensed by NIMS on the following Patents, Patent Publications and Patent Applications: Patent No. 3975451 (Japan), Patent No. 7,678,294 (US), Patent No. I-299055 (Taiwan), Patent No. ZL200580000742.3 (China), Patent Application No. 12/096,601 (US), Patent Application No. 2007-549180 (Japan), Patent Publication No. DE1 12005000044T5 (Germany), Patent Publication No. 10-2007-0021140 (Korea), and Patent Publication No. EP1964905 (Europe).

EVERLIGHT

ASIA**CHINA****CHINA, HONG KONG**

EVERLIGHT ELECTRONICS CO., LTD.
Units 1606-1610, 16/F., Prosperity Place,
6 Shing Yip Street, Kwun Tong, Kowloon,
Hong Kong
TEL: +852-23880602
FAX: +852-23881127, 23843092

CHINA, SHENZHEN

EVERLIGHT ELECTRONICS CO., LTD.
Room 1101-1102,3A Building,Period 1,
Tian An Cloud Park,NO.2018,Xuegang Road,
Bantian Sub-District,LongGangDistrict,
ShenZhen,GuangdongProvince,P,R,C
Postcode: 518116
TEL: +86-0755-2163-8620
FAX: +86-0755-2163-8764

CHINA, GUANGZHOU

EVERLIGHT ELECTRONICS CO., LTD.
1501 15 F1.,No.266 Xi Huan Road,
Sha Tou Street, Panyu District,
Guangzhou, China
Postcode: 511400
TEL: +86-(0)20-84663392
FAX: +86-(0)20-84663372

CHINA, SUZHOU

EVERLIGHT ELECTRONICS CO., LTD.
5F, Wanrong International Building, NO. 3158,
Renmin Rd., Gusu Dist., Suzhou City,
Jiangsu Province, P.R. China
Postcode: 215011
TEL: +86- 512-88605888
FAX: +86- 512-85188151

CHINA, QINGDAO

EVERLIGHT ELECTRONICS CO., LTD.
Room 317 (Building Dingdu), No. 133, Rd.
Fuzhou-North, District Shibei, Qingdao,
Shandong, China
TEL: +86-532-8091-6675
FAX: +86-532-8079-7372

CHINA, TIANJIN

EVERLIGHT ELECTRONICS CO., LTD
Room 505,Michael kuan in the valley of e
Imagination world, No 37. NanKai Three Road,
NanKai District,TianJin,China
Postcode: 300100
TEL: +86-22-26351122, 26351133

全国免费电话 : 400-6258-289

KOREA

EVERLIGHT OPTOELECTRONICS
KOREA CO., LTD.
7F S706-1 Garden 5 Works Choongmin Rd52.,
Songpa-gu, Seoul, KOREA.
TEL: +82-2-2047-3960
FAX: +82-2-2047-3961
EMAIL: terrychoi@everlight.com

JAPAN, TOKYO

EVERLIGHT JAPAN CORPORATION
4F MITA SUN BLDG., 1-3-35 MITA,
MINATO-KU, TOKYO, 108-0073, JAPAN
TEL: +81-3-5439-9296
FAX: +81-3-5439-9288
EMAIL: elj@everlight.com

JAPAN, KYOTO

EVERLIGHT JAPAN CORPORATION
7F, MITSUSEIMEI KYOTO YAMASHINA BLDG.
46-1, TAKEHANADOUNOMAECCHOU,
YAMASHINA KU, KYOTO, 607-8085, JAPAN
TEL: +81-75-584-6070
FAX: +81-75-584-6080
EMAIL: everlightjapan@everlight.com

INDIA, BANGALORE

EVERLIGHT ELECTRONICS INDIA PVT LTD
Suit No. 3, 2nd Floor
Alpha Block. Sigma Soft Tech Park.
Varthur Kodi. Whitefield Main Road.
Bangalore: 560066
TEL: +91-080-41633111, +91-080-41623111
FAX: +91-080-41622111
EMAIL: salesindia@everlight.com

INDIA, DELHI

EVERLIGHT ELECTRONICS INDIA PRIVATE LTD.
Regus Green Boulevard
Level-5, Tower C, 3C Green Boulevard, Block B,
Sec-62, Noida:201301
TEL: +91-120-6608019
MOBEL: +91-981-1831442
EMAIL: anuj@everlight.com

MALAYSIA

EVERLIGHT OPTOELECTRONICS(M) SDN BHD
B-04-20 Krystal Point,
303 Jalan Sultan Azlan Shah,
11900 Penang, Malaysia
TEL: +60-4-646-4233
FAX: +60-4-646-5233
EMAIL: inquiry@everlight-pg.com.my

SINGAPORE

EVERLIGHT ELECTRONICS SINGAPORE PTE LTD
50 Tagore Lane , #04-11D,
Entrepreneur Centre, Singapore 787494.
TEL: +65-6511-2965
FAX: +65-6338-5486
EMAIL: contact@everlight.com.sg

AMERICA**TEXAS USA**

EVERLIGHT AMERICAS INC.
3220 Commander Drive, Suite 100
Carrollton,Texas, 75006, United States
TEL: +1-972-490-4008
FAX: +1-972-490-5009
EMAIL: salesmarketing@everlightamericas.com

CALIFORNIA USA

Everlight Americas Inc. Ontario, California Office
4237 East Airport Dr.
Ontario, California 91761
TEL: +1-909 937-6070
FAX: +1-909 937-7619
EMAIL: salesmarketing@everlightamericas.com

EUROPE**GERMANY, HQ**

EVERLIGHT ELECTRONICS EUROPE GMBH
Siemensallee 84, Building 7302, 5F
76187 Karlsruhe, Germany
TEL: +49-721-82447-3
FAX: +49-721-82447-40
EMAIL: Info@everlight-eu.de

GERMANY, MUNICH

EVERLIGHT ELECTRONICS EUROPE GMBH
Rote-Kreuz-Strasse 8, D-85737 Ismaning, Germany
TEL: +49-89-9400336-0
FAX: +49-89-9400336-29
EMAIL: info@everlight-eu.de

HEADQUARTERS

No. 6-8, Zhonghua Rd., Shulin Dist., New Taipei City, Taiwan 23860
TEL: +886-2-2685-6688 FAX: +886-2-2685-6699

www.everlight.com