

SIGN	DATE	DESCRIPTION	APPROVER
△	01/04'09	尺寸修訂由原來3.03變為3.24±0.03	Jacke
△	2009.12.01	料柄由圓型改為六角型 (新機)	Jacke
THIS IS CAD DRAWING, DO NOT REVISE MANUALLY!!!			

Material

● Insulator (housing): Thermoplastic (UL94V-0)

Pitch 5.0/5.08/7.5/7.62

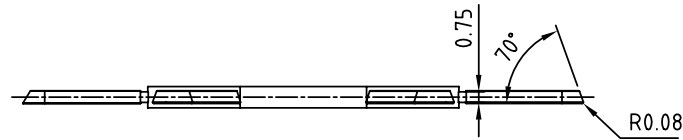
	TJ	TS	VM	VD	VH	EM	EZ	V7
AE	●	●	●	●	●	●	●	●
	V9	KI	EY	HI	HN	HP	HW	H4
AE	●	●	●	●	●	●	●	●

NOTE:

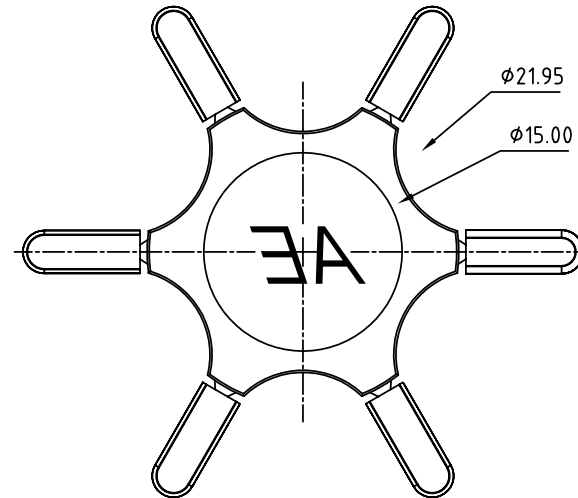
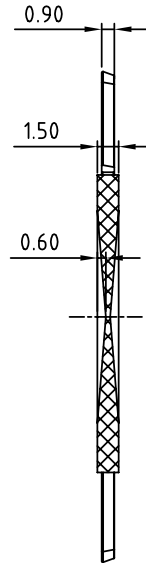
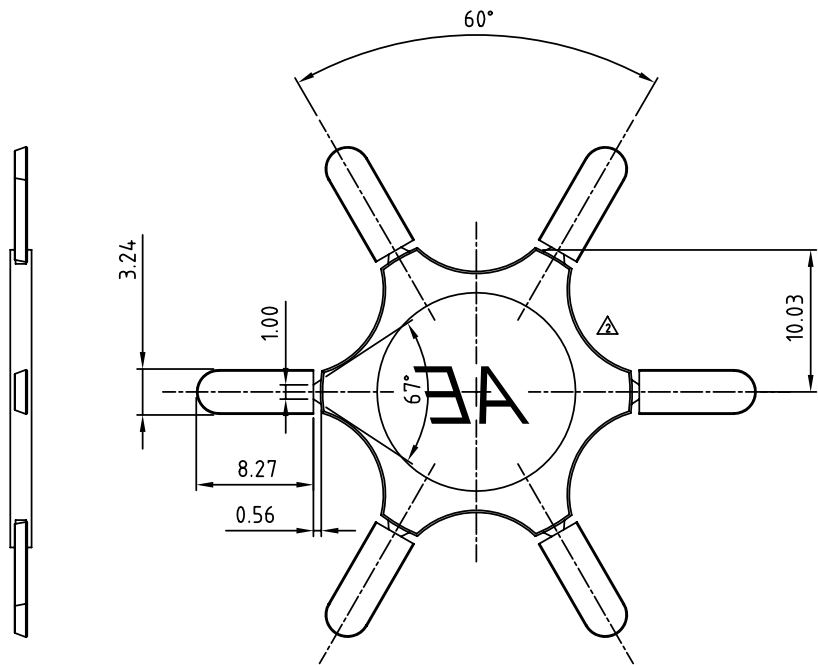
1:TJ Series 不包括TJ5.0/5.08上鉤式

2:HW Series 不包括 HW5.0/5.08 上鉤式, HW5.08中鉤式

3.環保要求須符合: ANYTEK GP-00-002 環境禁限用物質管理技術標準



R0.08



ANYTEK

CUSTOMER COPY

ALL RIGHTS RESERVED. REPRODUCTION OR ISSUE TO THIRD PARTIES IN ANY FORM WHATSOEVER IS NOT PERMITTED WITHOUT WRITTEN AUTHORITY FROM THE PROPRIETOR. PROPERTY OF ANYTEK TECHNOLOGY CO., LTD

TITLE				AE SERIES Key			
PART NO.		AE0000200000G		DWG NO.		8AE0001	
APPROVED	CHECKED	DESIGNED	DRAWN	CUST NO.		Tolerance	
		Jacke 2009.12.01	Jacke 2009.12.01			UNIT: mm	X. ±0.50
						SCALE: NONE	X.X ±0.30
SHEET: 01/01				REV.: D		X.XX ±0.10	X° ±1°