

SIGN	DATE	DESCRIPTION	APPROVER
△	2009.11.28	尺寸變更由2.57mm改為2.90mm	Jacke
△	2009.11.28	尺寸變更由4.4°改為60°	Jacke
△	2010.01.26	增加AG 標示 (新模)	Jacke

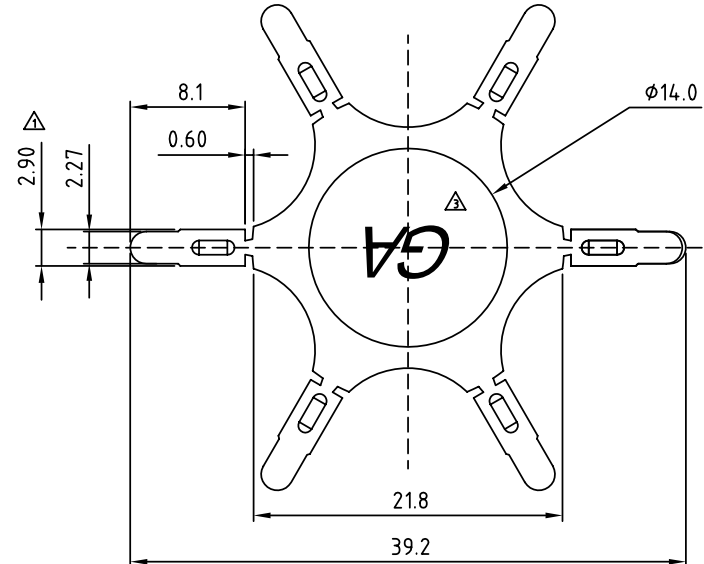
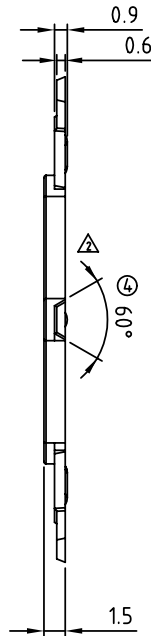
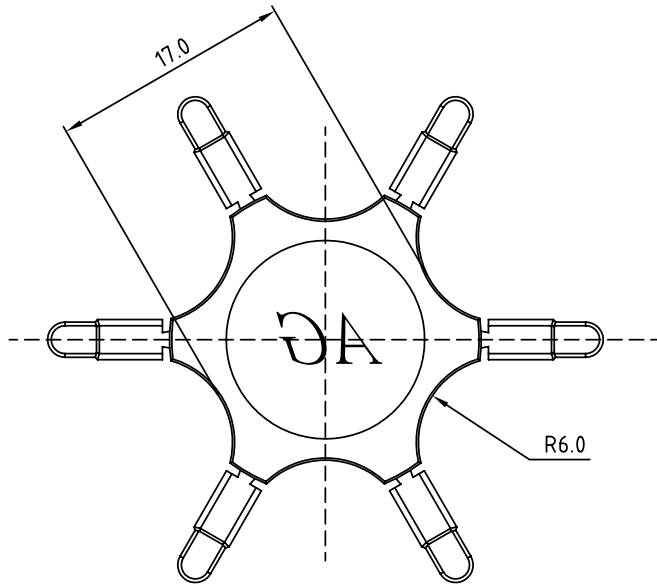
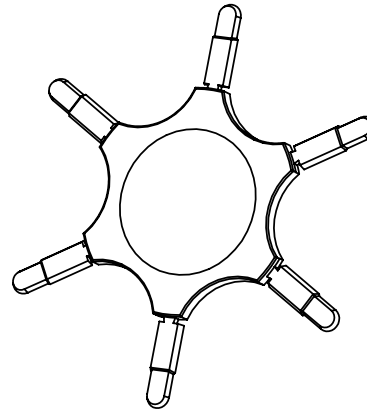
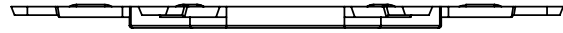
THIS IS CAD DRAWING, DO NOT REVISE MANUALLY!!!

Material

- Insulator (housing): Thermoplastic (UL94V-0)

Pitch 3.5/3.81

	OQ	VK	VL	VO	VZ
AG	●	●	●	●	●



ANYTEK

CUSTOMER COPY

ALL RIGHTS RESERVED. REPRODUCTION OR ISSUE TO THIRD PARTIES IN ANY FORM WHATSOEVER IS NOT PERMITTED WITHOUT WRITTEN AUTHORITY FROM THE PROPRIETOR. PROPERTY OF ANYTEK TECHNOLOGY CO., LTD

TITLE		AG SERIES Key			
PART NO.		AG0000200000G		DWG NO.	8AG0001
APPROVED	CHECKED	DESIGNED	DRAWN	CUST NO.	
		Jacke 2010.01.26	Jacke 2010.01.26		
					Tolerance
					X. ±0.50
				UNIT: mm	X.X ±0.30
				SCALE: NONE	X.XX ±0.10
				SHEET: 01/01	X° ±1°
				REV.: D	