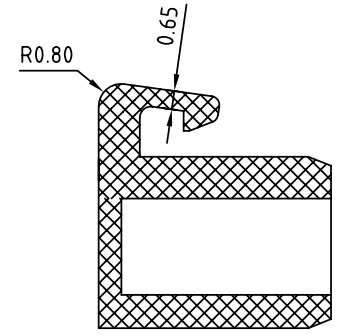
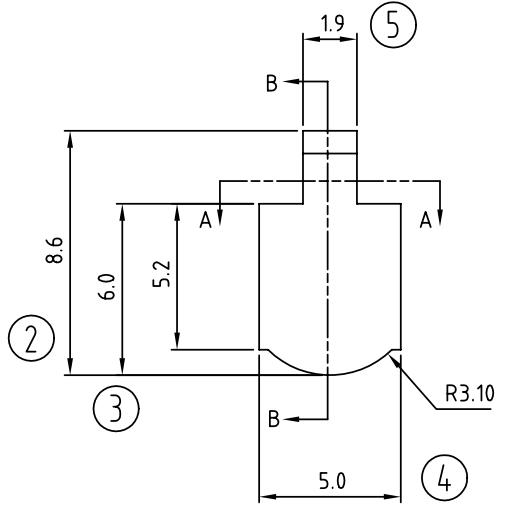
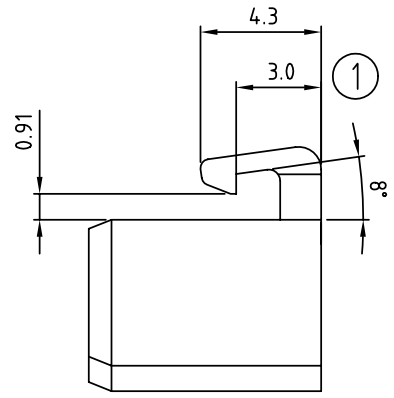
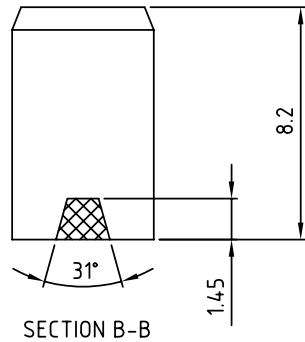
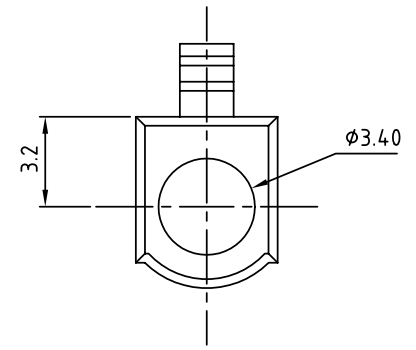


SIGN	DATE	DESCRIPTION	APPROVER
△			
△			
THIS IS CAD DRAWING, DO NOT REVISE MANUALLY!!!			



SECTION A-A



1.材質: NYLON 66 0%GF.FRISETA FRIANYL A63 V0
 2. 環保要求須符合:ANYTEK GP-00-002 環境禁限用物質管理技術標準

ANYTEK				CUSTOMER COPY			
ALL RIGHTS RESERVED. REPRODUCTION OR ISSUE TO THIRD PARTIES IN ANY FORM WHATSOEVER IS NOT PERMITTED WITHOUT WRITTEN AUTHORITY FROM THE PROPRIETOR. PROPERTY OF ANYTEK TECHNOLOGY CO., LTD							
TITLE		AH Series Key					
PART NO.		AH0000x00000G			DWG NO.		8AH0001
APPROVED		CHECKED	DESIGNED	DRAWN	CUST NO.		Tolerance
		Marvin 2007.03.02	Marvin 2007.03.02	Marvin 2007.03.02			X. ±0.50 X.X ±0.30 X.XX ±0.10 X° ±1°
						UNIT: mm	
						SCALE: NONE	
						REV.: B	
						SHEET: 01/02	