

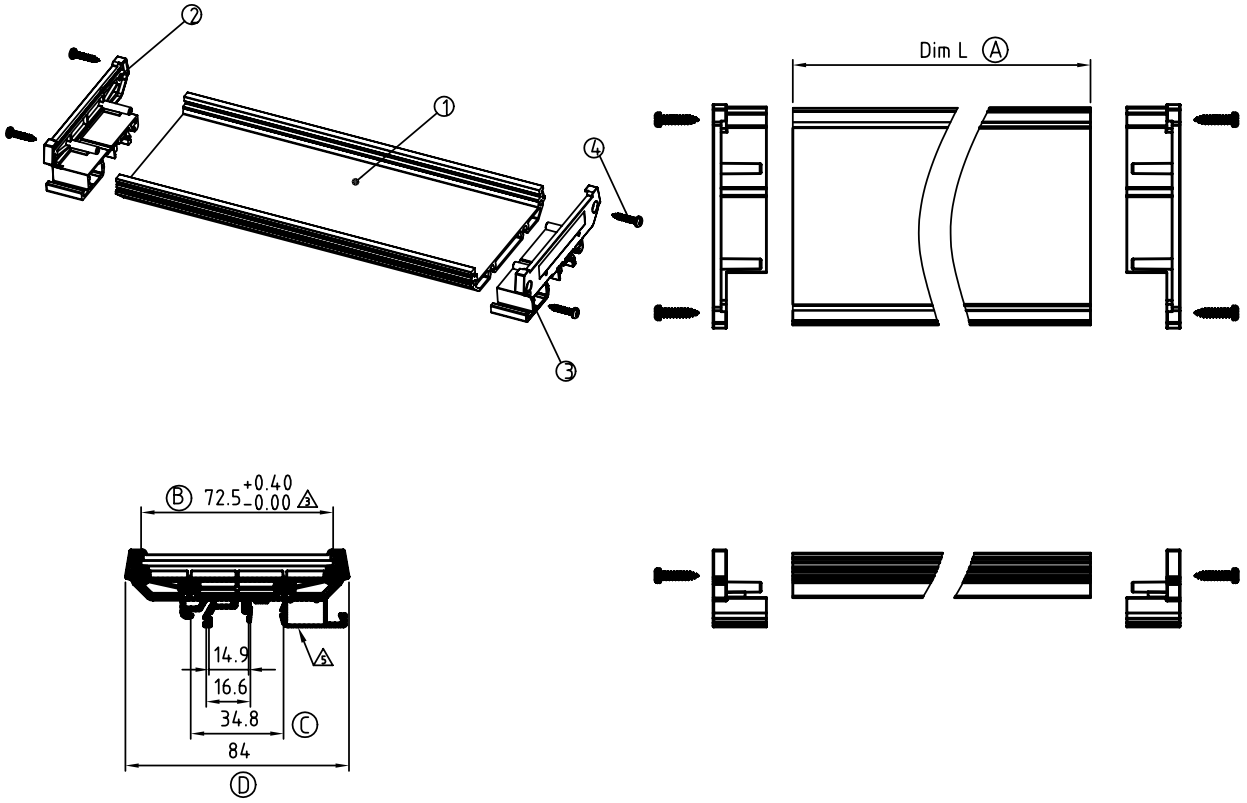
SIGN	DATE	DESCRIPTION	APPROVER
△	07/19'07	The Dimension is changed from :Pa2.5x12toPa2.8x8	Tason
△	04/24'07	Modify stipulation	Tason
△	08.06.05	The Dimension is changed from :72.0to72.5+0.40/-0.00	Seamus
△	09.02.05	Modify How to order	Seamus
△	04/08'09	Structure changed	Seamus
△	07/19'07	The Dimension is changed from :Pa2.8x8toPa3.0x12	Seamus

THIS IS CAD DRAWING, DO NOT REVISE MANUALLY!!!

Materials

- Item 1 insulating body PVC (UL94V-0)
- Item 2 insulating side Cover (left) Thermoplastic (UL94V-0)
- Item 3 insulating side Cover (right) Thermoplastic (UL94V-0)
- Item 4 Screw(Pa3.0x12) △△ Steel, Zinc&Ni plated

Remark △
 DIM L=(PCB)L-1.8mm
 PCB Width : 72.5±0.05mm
 PCB thick : 1.6±0.10mm



ANYTEK				CUSTOMER COPY															
ALL RIGHTS RESERVED. REPRODUCTION OR ISSUE TO THIRD PARTIES IN ANY FORM WHATSOEVER IS NOT PERMITTED WITHOUT WRITTEN AUTHORITY FROM THE PROPRIETOR. PROPERTY OF ANYTEK TECHNOLOGY CO., LTD																			
TITLE	AL (72) Series																		
PART NO.	ALxxxxx0xxxxG			DWG NO.	8AL0001														
APPROVED	CHECKED	DESIGNED	DRAWN	CUST NO.	Tolerance														
	Seamus 04/09'09	Seamus 04/09'09	Seamus 04/09'09		<table border="1" style="font-size: x-small;"> <tr> <td>UNIT: mm</td> <td>X.</td> <td>±0.50</td> </tr> <tr> <td>SCALE: NONE</td> <td>X.X</td> <td>±0.30</td> </tr> <tr> <td>REV.: F</td> <td>X.XX</td> <td>±0.10</td> </tr> <tr> <td></td> <td>X°</td> <td>±1°</td> </tr> </table>			UNIT: mm	X.	±0.50	SCALE: NONE	X.X	±0.30	REV.: F	X.XX	±0.10		X°	±1°
UNIT: mm	X.	±0.50																	
SCALE: NONE	X.X	±0.30																	
REV.: F	X.XX	±0.10																	
	X°	±1°																	
				SHEET: 01/01															