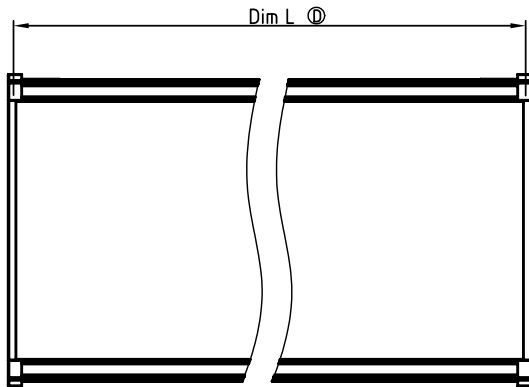
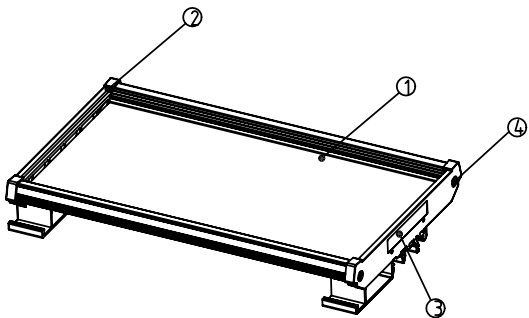
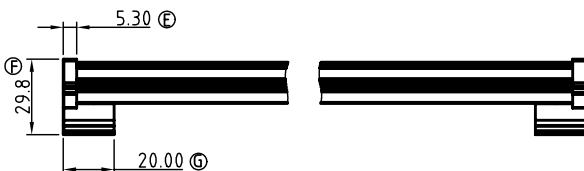
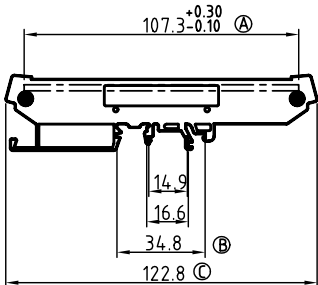


SIGN	DATE	DESCRIPTION	APPROVER
△			
<b>THIS IS CAD DRAWING, DO NOT REVISE MANUALLY!!!</b>			



Materials  
Item 1 insulating body PVC (UL94V-0)  
Item 2 insulating side Cover (left) Thermoplastic (UL94V-0)  
Item 3 insulating side Cover (right) Thermoplastic (UL94V-0)  
Item 4 Screw(Pa2.8x8) Steel, Zinc & Ni plated  
Remark  
DIM L=(PCB)L-3.8mm  
PCB Width:107.05±0.05mm  
PCB thick :1.6±0.10mm



AL xxxx x 1 xxxx G  
↓ ↓ ↓  
Dim L 5 Green 000A ANY MARK

<b>ANYTEK</b>				<b>CUSTOMER COPY</b>			
ALL RIGHTS RESERVED. REPRODUCTION OR ISSUE TO THIRD PARTIES IN ANY FORM WHATSOEVER IS NOT PERMITTED WITHOUT WRITTEN AUTHORITY FROM THE PROPRIETOR. PROPERTY OF ANYTEK TECHNOLOGY CO., LTD							
TITLE	AL-(107)Series( finished products )						
PART NO.	ALxxxx51xxxxG			DWG NO.	8AL0002-107		
APPROVED	CHECKED	DESIGNED	DRAWN	CUST NO.	Tolerance		
	Seamus 2009.12.14	Seamus 2009.12.14	Tason 07/19'07		UNIT: mm	X.	±0.50
					SCALE: NONE	X.X	±0.30
				SHEET: 01/01	REV.: B	X.XX	±0.10
						X°	±1°