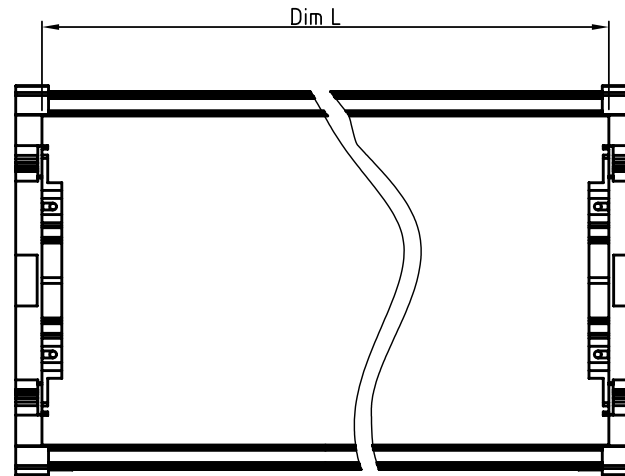
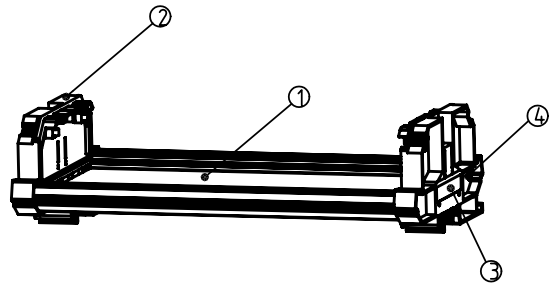


SIGN	DATE	DESCRIPTION	APPROVER
△			
THIS IS CAD DRAWING, DO NOT REVISE MANUALLY!!!			

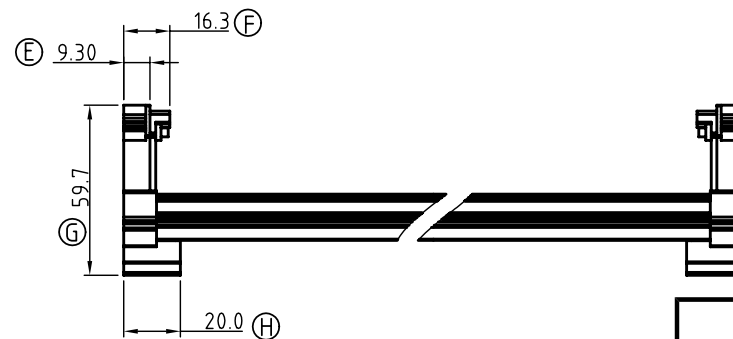
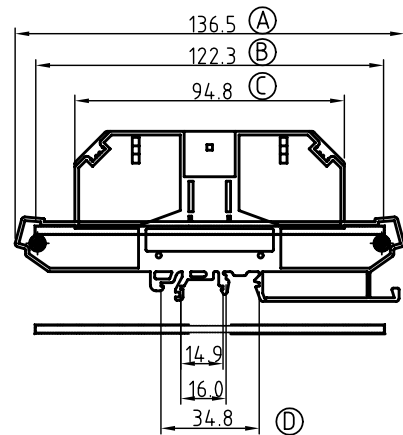


Materials

- Item 1 insulating body PVC (UL94V-0)
- Item 2 insulating side Cover (left) Thermoplastic (UL94V-0)
- Item 3 insulating side Cover (right) Thermoplastic (UL94V-0)
- Item 4 Screw(Pa3.0x12) Steel, Zinc & Ni plated

Remark

DIM L=(PCB)L-3.8mm
 PCB Width:122.2±0.05mm
 PCB thick :1.6±0.10mm



AL xxxx x 4 xxxx G
 ↓ ↓ ↓ ↓
 Dim L 5 Green 000A ANY MARK

ANYTEK

CUSTOMER COPY

ALL RIGHTS RESERVED. REPRODUCTION OR ISSUE TO THIRD PARTIES IN ANY FORM WHATSOEVER IS NOT PERMITTED WITHOUT WRITTEN AUTHORITY FROM THE PROPRIETOR. PROPERTY OF ANYTEK TECHNOLOGY CO., LTD

TITLE		AL-(122)Series(finished products)				
PART NO.		ALxxxx54xxxxG		DWG NO.		8AL0001-122
APPROVED	CHECKED	DESIGNED	DRAWN	CUST NO.		Tolerance
	Seamus 2009.05.05	Seamus 2009.05.05	Seamus 2009.05.05			X. ±0.50
						UNIT: mm
				SHEET: 01/01		X.XX ±0.10
				REV.: B		X° ±1°