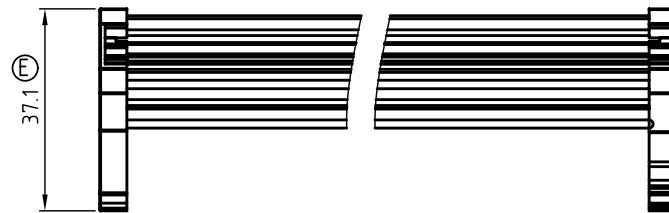
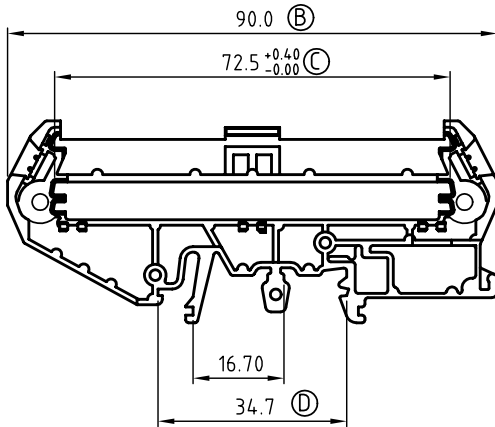
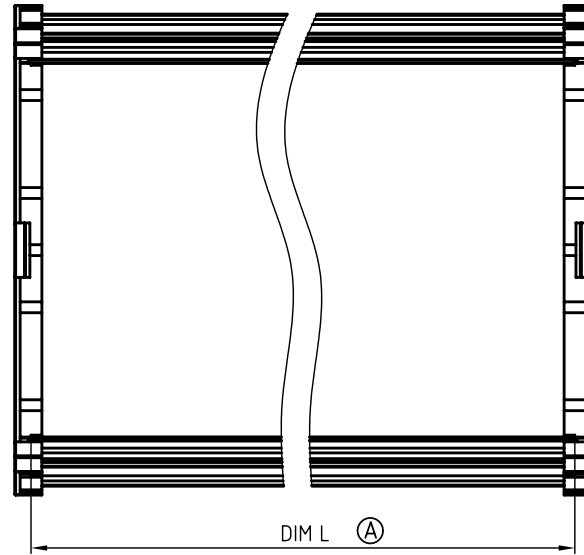
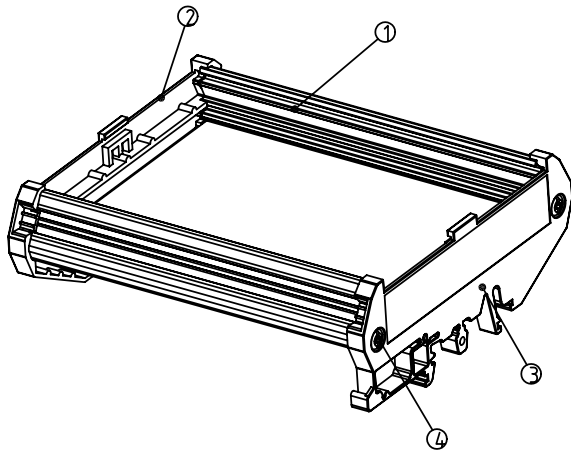


SIGN	DATE	DESCRIPTION	APPROVER
△			
THIS IS CAD DRAWING, DO NOT REVISE MANUALLY!!!			



Materials

- Item 1 insulating body Thermoplastic PVC (UL94V-0)
- Item 2 insulating side Cover (left) Thermoplastic PA (UL94V-0)
- Item 3 insulating side Cover (right) Thermoplastic PA (UL94V-0)
- Item 4 Screw(Pa 3.0×12) Steel, Zinc plated

Remark

DIM L=(PCB)L-3.8mm
 PCB Width : 72.5±0.05mm
 PCB thick : 1.6±0.10mm

AL xxxx x 6 xxxx G
 ↓ ↓ ↓ ↓
 Dim L 5 Green 000A ANY MARK

ANYTEK

CUSTOMER COPY

ALL RIGHTS RESERVED. REPRODUCTION OR ISSUE TO THIRD PARTIES IN ANY FORM WHATSOEVER IS NOT PERMITTED WITHOUT WRITTEN AUTHORITY FROM THE PROPRIETOR. PROPERTY OF ANYTEK TECHNOLOGY CO., LTD

TITLE	AL 2-72 (72mm)			DWG NO.	8AL 2-72 0001	
PART NO.	ALxxxx56000AG			CUST NO.		
APPROVED	CHECKED	DESIGNED	DRAWN		UNIT: mm	Tolerance
		Tason 03/06`08	Tason 03/06`08		SCALE: NONE	X. ±0.50
				SHEET: 01/01	REV.: B	X.XX ±0.10
						X° ±1°