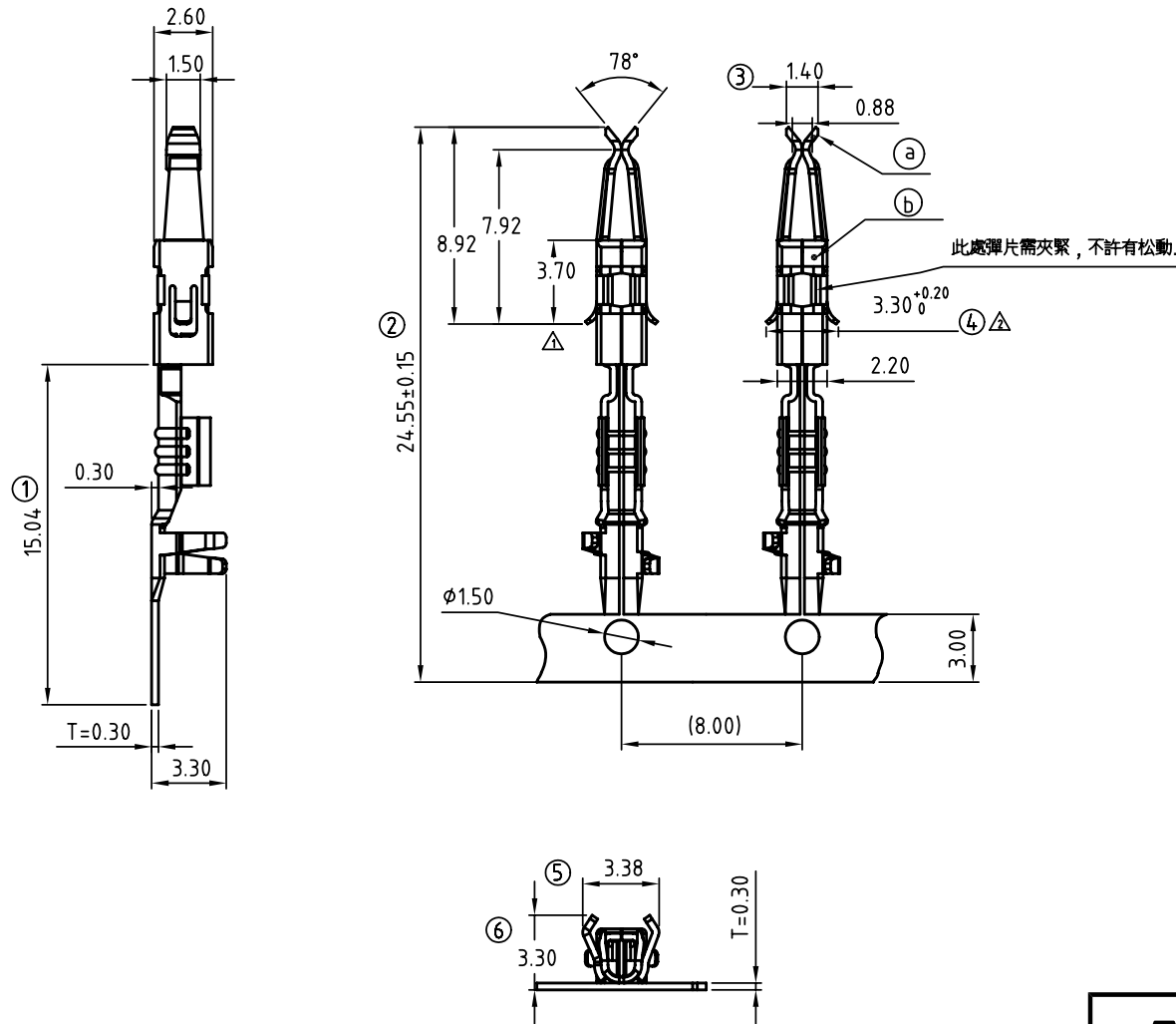


SIGN	DATE	DESCRIPTION	APPROVER
△	10/14'09	The dimension changed from 3.91to3.70	Kind
△	10/14'09	The dimension changed from 3.20to3.30+0.20/-0	Kind
<b>THIS IS CAD DRAWING, DO NOT REVISE MANUALLY!!!</b>			

NOTE:

1.MATERIAL:

- Item a Wire guard:PHBZ(T=0.3mm),Tin plated.
  - Item b Spring : Stainless steel(T=0.15mm)
- 2.With wire range : 0.5-1.0mm<sup>2</sup>;



<b>ANYTEK</b>				<b>INSPECTION COPY</b>			
<small>ALL RIGHTS RESERVED. REPRODUCTION OR ISSUE TO THIRD PARTIES IN ANY FORM WHATSOEVER IS NOT PERMITTED WITHOUT WRITTEN AUTHORITY FROM THE PROPRIETOR. PROPERTY OF ANYTEK TECHNOLOGY CO., LTD</small>							
TITLE		AO 3.81 腳子彈片成品 ( wire range 0.5~1.0mm <sup>2</sup> ;) )					
PART NO.		AO 0000000000G		DWG NO.		8A00001	
APPROVED		CHECKED	DESIGNED	DRAWN	CUST NO.		Tolerance
			Kind	kind			X. ±0.50
			2009.10.14	2008.6.18			X.X ±0.30
					SHEET: 01/01		X.XX ±0.10
							X° ±1°