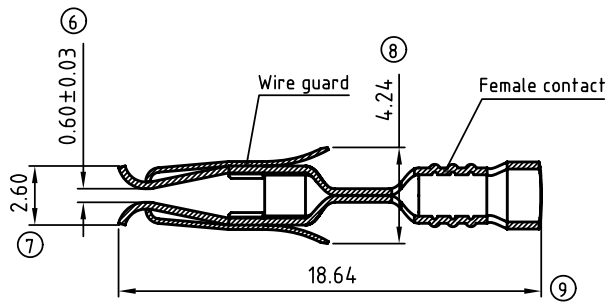
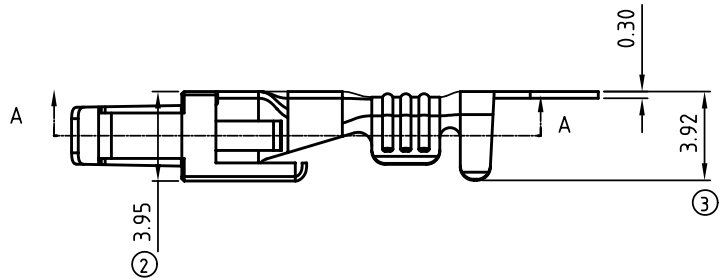
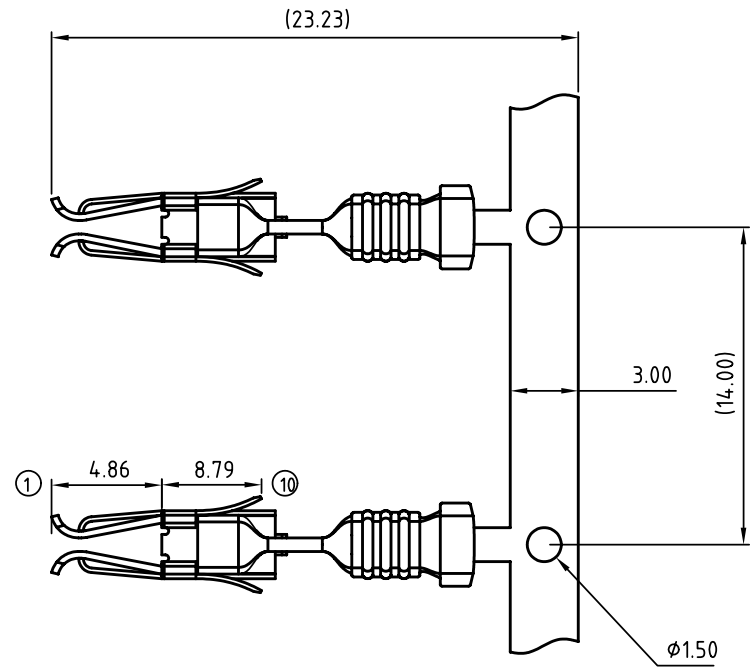
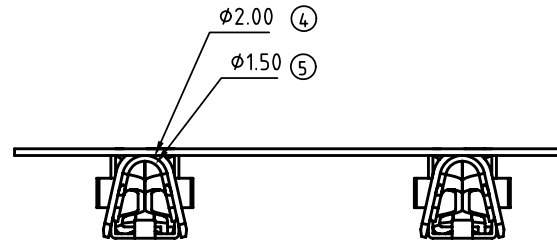


SIGN	DATE	DESCRIPTION	APPROVER
△	11/3'09	Add Note and connection data.	Kind
THIS IS CAD DRAWING, DO NOT REVISE MANUALLY!!!			



SECTION A-A



△ Note:

- Module female contact, is inserted into the plug housing KI5.08 after crimping the conductor, for conductors from 0.5 to 1.0 mm²

Material data:

- Female contact : PhBz , Tin plated.
- Wire guard : Stainless steel

△ Connection data:

- Wire strip length: 4mm
- Wire range: 0.5~1.0mm²;
- Stranded wire(AWG): 18 - 20
- Core diameter including insulation : 1.8 mm ... 2.1 mm

ANYTEK

CUSTOMER COPY

ALL RIGHTS RESERVED. REPRODUCTION OR ISSUE TO THIRD PARTIES IN ANY FORM WHATSOEVER IS NOT PERMITTED WITHOUT WRITTEN AUTHORITY FROM THE PROPRIETOR. PROPERTY OF ANYTEK TECHNOLOGY CO., LTD

TITLE		AO 5.08 Module female contact (0.5 to 1.0 mm ²)				
PART NO.		A00000100000G		DWG NO.		8A00101
APPROVED	CHECKED	DESIGNED	DRAWN	CUST NO.		
		Kind	Kind			Tolerance
		2009.11.03	2008.11.21			X. ±0.50
						X.X ±0.30
						UNIT: mm
				SHEET: 01/01		X° ±1°
				REV.: B		