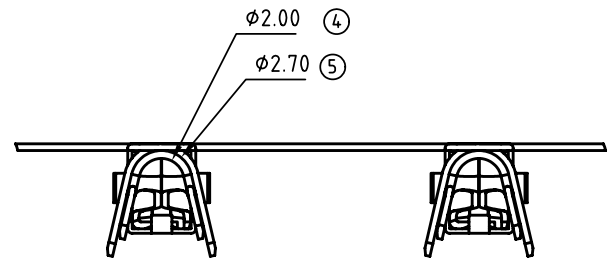
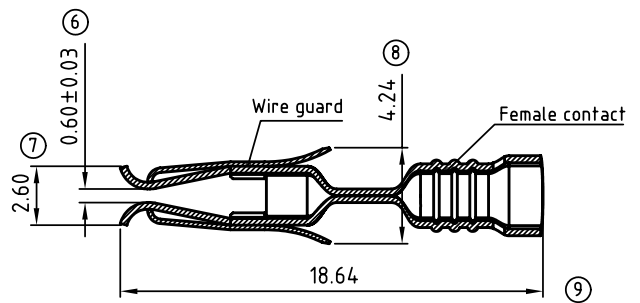
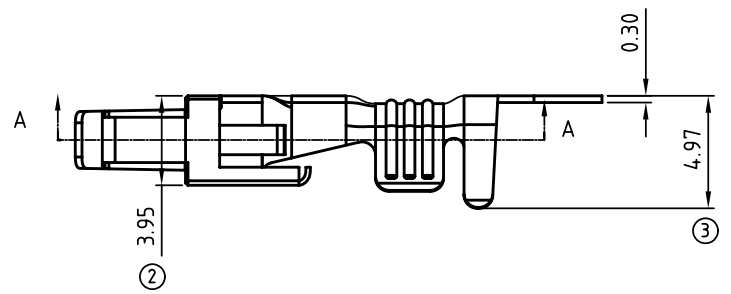
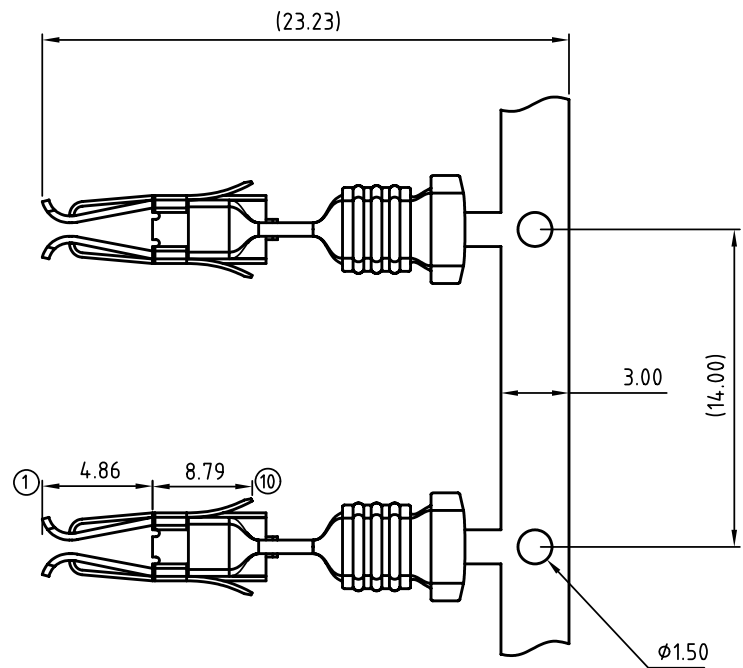


SIGN	DATE	DESCRIPTION	APPROVER
△	11/3'09	Add Note and connection data.	Kind
THIS IS CAD DRAWING, DO NOT REVISE MANUALLY!!!			

- △ Note:
- Module female contact, is inserted into the plug housing K15.08 after crimping the conductor, for conductors from 1.5 to 2.5 mm²

- Material data:
- Female contact : PhBz , Tin plated.
 - Wire guard : Stainless steel

- △ Connection data:
- Wire strip length: 4mm
 - Wire range: 1.5 ~ 2.5mm²
 - Stranded wire(AWG): 14 - 16
 - Core diameter including insulation : 2.11 mm ... 3.1 mm



ANYTEK				CUSTOMER COPY			
ALL RIGHTS RESERVED. REPRODUCTION OR ISSUE TO THIRD PARTIES IN ANY FORM WHATSOEVER IS NOT PERMITTED WITHOUT WRITTEN AUTHORITY FROM THE PROPRIETOR. PROPERTY OF ANYTEK TECHNOLOGY CO., LTD							
TITLE		AO 5.08 Module female contact (1.5 to 2.5 mm ²)					
PART NO.		A00000200000G		DWG NO.		8A00102	
APPROVED	CHECKED	DESIGNED	DRAWN	CUST NO.		Tolerance	
		Kind	runner			UNIT: mm	
		2009.11.02	2008.02.15			SCALE: 2/1	
				SHEET: 01/01		REV.: B	
						X.XX ±0.10	
						X° ±1°	