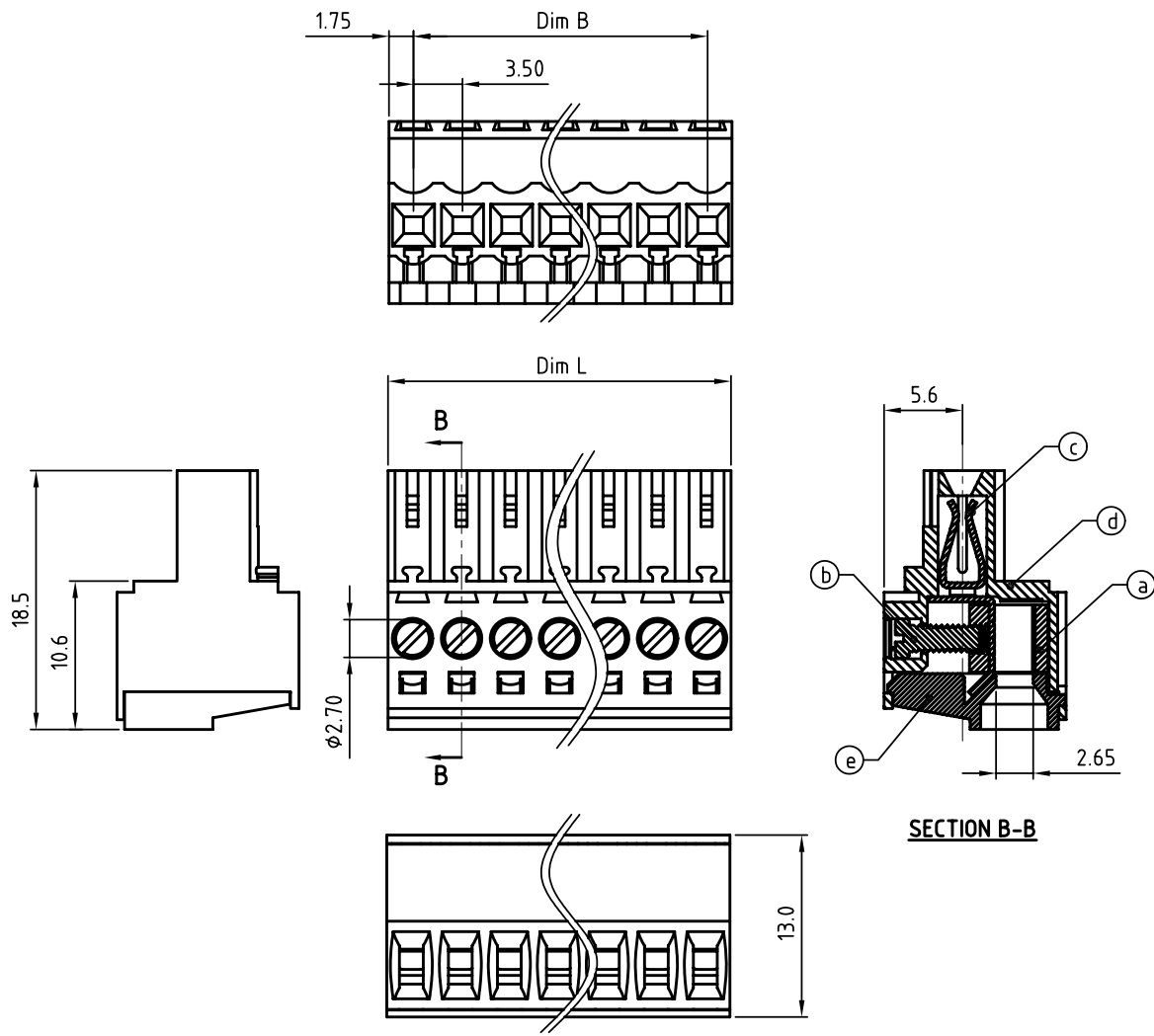


SIGN	DATE	DESCRIPTION	APPROVER
△			

THIS IS CAD DRAWING, DO NOT REVISE MANUALLY!!!



Material

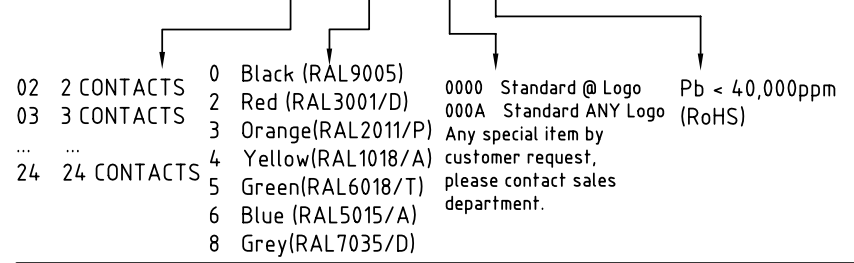
- Item a Clamp: Brass(CuZn),Ni plated
- Item b Terminal screw: Steel Zinc plating "-" slot type
- Item c Female contact: PhBz ,Tin plated
- Item d Terminal Body: Thermoplastic (UL94V-0)
- Item e Terminal Cover: Thermoplastic (UL94V-0)

Electrical cULus

- Voltage rating: 300VAC
- Current rating: 10A
- Wire range:
- Solid wire(AWG): 14-28
- Stranded wire(AWG): 14-28
- Torque: 1.7Lb-In
- Screw: M2
- Wire strip length: 6-7mm
- Withstanding Voltage: 1.6KV
- Operating temperature: -40°C to +115°C
- Safety Approval: us

SECTION B-B

E2 xx 11 x 0 xxxx G



Poles	2p	3p	4p	5p	6p	7p	8p	9p	10p	11p	12p	13p
Dim L	7.00	10.5	14.0	17.5	21.0	24.5	28.0	31.5	35.0	38.5	42.0	45.5
Dim B	3.50	7.00	10.5	14.0	17.5	21.0	24.5	28.0	31.5	35.0	38.5	42.0
TOL	±0.15						±0.20					±0.25
Poles	14p	15p	16p	17p	18p	19p	20p	21p	22p	23p	24p	
Dim L	49.0	52.5	56.0	59.5	63.0	66.5	70.0	73.5	77.0	80.5	84.0	
Dim B	45.5	49.0	52.5	56.0	59.5	63.0	66.5	70.0	73.5	77.0	80.5	
TOL	±0.25						±0.30					

ANYTEK

CUSTOMER COPY

ALL RIGHTS RESERVED. REPRODUCTION OR ISSUE TO THIRD PARTIES IN ANY FORM WHATSOEVER IS NOT PERMITTED WITHOUT WRITTEN AUTHORITY FROM THE PROPRIETOR. PROPERTY OF ANYTEK TECHNOLOGY CO., LTD

TITLE		E2 3.5 SERIES Without flange										
PART NO.		E2xx11x0xxxxG					DWG NO.		8E20001			
APPROVED		CHECKED	DESIGNED	DRAWN	CUST NO.		Tolerance					
		Marvin 2008.02.26	Marvin 2008.02.26	Marvin 2008.02.26					UNIT: mm		X.	±0.50
									SCALE: NONE		X.X	±0.30
									REV.: B		X.XX	±0.10
							SHEET: 01/01				X°	±1°