

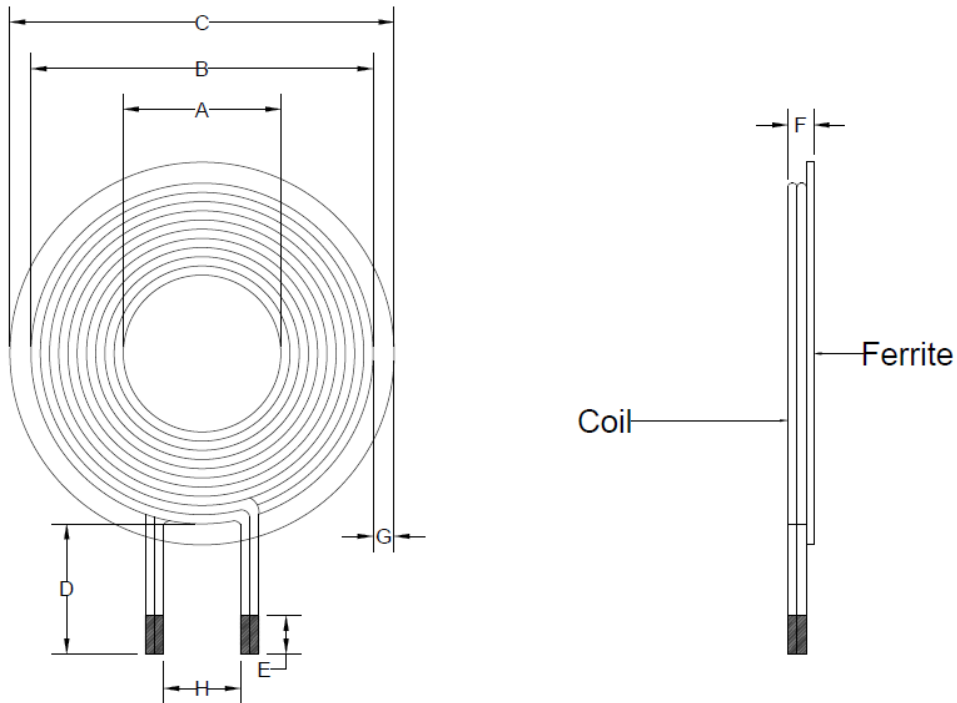
1. Part No. Expression :

SCT50036R3KA11D

(a) (b) (c) (d) (e) (f)

- a) Series Code
- b) Dimension Code
- c) Inductance Code
- d) Tolerance Code
- e) Qi Design Type
- f) Double Layer

2. Configuration & Dimensions :



Unit: mm

A	B	C	D	E	F	G	H
20.5±0.5	43.0±0.5	50.0±0.5	17.0±2.0	5.0±2.0	4.0 Max	2.0 Min	10.0 Typ

NOTE: Specifications subject to change without notice. Please check our website for latest information.



3. Schematic :



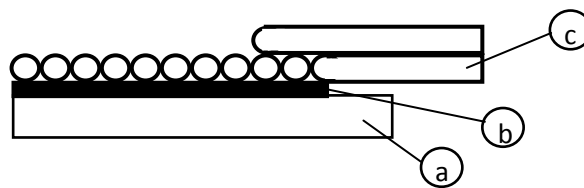
4. Electrical Characteristics :

Inductance (uH)	Test Frequency (Hz)	DCR Max. (mΩ)	Irms Max. (A)
6.3±10%	1V/100K	25	10.0

5. General Specification :

- a) Operating Temp. : -40°C ~ +85°C
- b) Storage Temp. : -40°C ~ +85°C (on board)
- c) I rms: Base on temp. rise up to 40°C Max.
- d) Power Rating : 5W ~ 15W
- e) Compliance to Qi standard A11 design

6. Material List :



- (a) Ferrite Sheet(MnZn)
- (b) Adhesive
- (c) Wire

NOTE: Specifications subject to change without notice. Please check our website for latest information.