

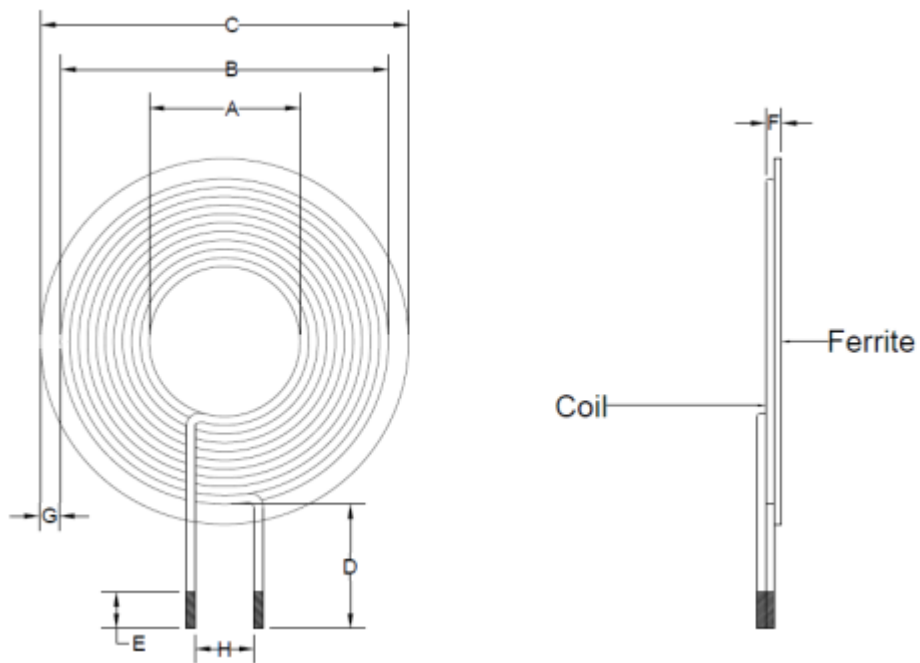
1. Part No. Expression :

SCT5044026R3KA11S

(a) b) (c) (d) (e) (f)

- a) Series Code d) Tolerance Code
- b) Dimension Code e) Qi Design Type
- c) Inductance Code f) Single Layer

2. Configuration & Dimensions :



Unit: mm

A	B	C	D	E	F	G	H
20.5±0.5	44.0±1.5	50.0±0.5	17.0±2.0	5.0±2.0	3.0 Max.	2.0 Min.	10.0 Typ

NOTE: Specifications subject to change without notice. Please check our website for latest information.

3. Schematic :



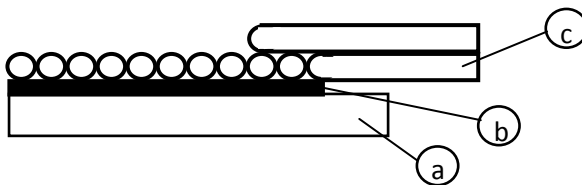
4. Electrical Characteristics :

Inductance (uH)	Test Frequency (Hz)	DCR (mΩ)	Irms (A)
6.3±10%	1V/100K	45 Max.	5.0 Max.

5. General Specification :

- a) Operating Temp. : -40°C ~ +85°C
- b) Storage Temp. : -40°C ~ +85°C (on board)
- c) Irms: Base on temp. rise up to 40°C Max.
- d) Power Rating : 5W ~ 15W
- e) Compliance to Qi standard A11 design

6. Material List :



- (a) Ferrite Sheet(MnZn)
- (b) Adhesive
- (c) Wire

NOTE: Specifications subject to change without notice. Please check our website for latest information.