

1. Part No. Expression:

**SCT5504MPA4**

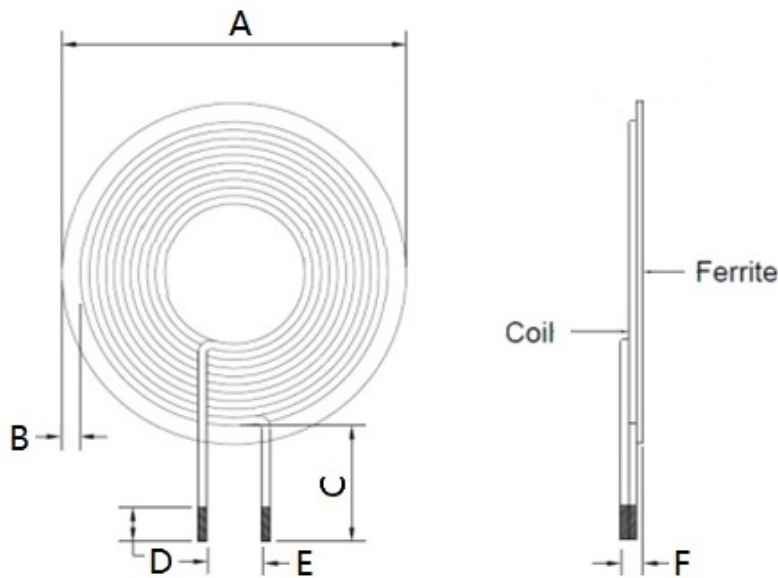
(a) (b) (c)

a) Series Code

c) Qi Design Type

b) Dimension Code

2. Configuration & Dimensions : (Unit: mm)



A	B	C	D	E	F
55.0±1.0	2.0 Min.	17.0±1.0	5.0±1.0	10.0 Typ.	4.0 Max.

3. Schematic:



NOTE: Specifications subject to change without notice. Please check our website for latest information.

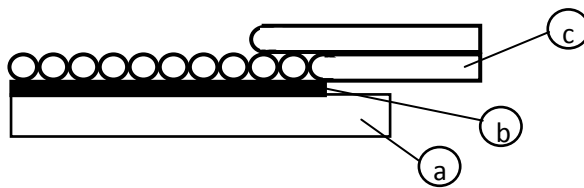
**4. Electrical Characteristics:**

Inductanc (uH)	Test Frequency (Hz)	DCR (mΩ)	Irms (A)
8.9±10%	1V/100K	55 Max.	6.0 Max.

**5. General Specification:**

- a) Operating Temp. : -40°C ~ +125°C
- b) Storage Temp. : -40°C ~ +125°C (on board)
- c) Irms: Base on temp. rise up to 40°C Max.(exclude ambient temp.)
- d) Power Rating : 15W
- e) Compliance to Qi standard MP-A4 design

**6. Material List:**



- a) Ferrite Sheet (MnZn)
- b) Adhesive
- c) Wire

NOTE: Specifications subject to change without notice. Please check our website for latest information.