

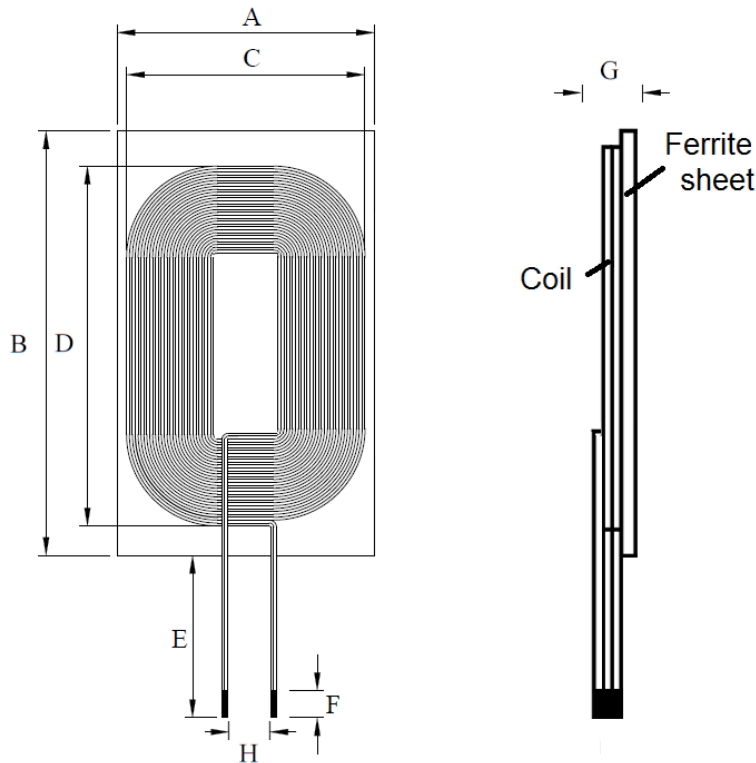
1. Part No. Expression:

SRX10300612R8KB

(a) (b) (c) (d)(e)

- a) Series code
- b) Dimension code
- c) Inductance code
- d) Tolerance code
- e) Wire code

2. Configuration & Dimensions : (Unit-mm)



A	B	C	D	E	F	G	H
10.0±0.5	30.0±0.5	9.5 Ref.	23.0 Ref.	20.0±2.0	5.0±2.0	1.0 Max.	5.0 Ref.

3. Schematic



NOTE: Specifications subject to change without notice. Please check our website for latest information.



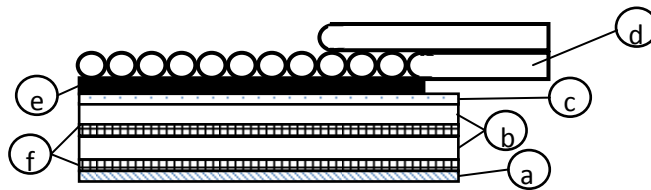
4. Electrical Characteristics

Inductance (uH)	Test Frequency (Hz)	DCR Max. (Ω)	Irms Max. (A)
12.8±10%	1V/100K	0.78	0.8

5. General Specification:

- a) Operating Temp. : -40°C ~ +85°C
- b) Storage Temp. : -40°C ~ +85°C (on board)
- c) Irms: Base on temp. rise up to 40°C Max.
- d) Power Rating : 3.5W

6. Material List :



- (a) Release Film
- (b) Ferrite Sheet(NanoCrystalline)
- (c) PET Film
- (d) Wire
- (e) Adhesive
- (f) Double Adhesive

NOTE: Specifications subject to change without notice. Please check our website for latest information.