

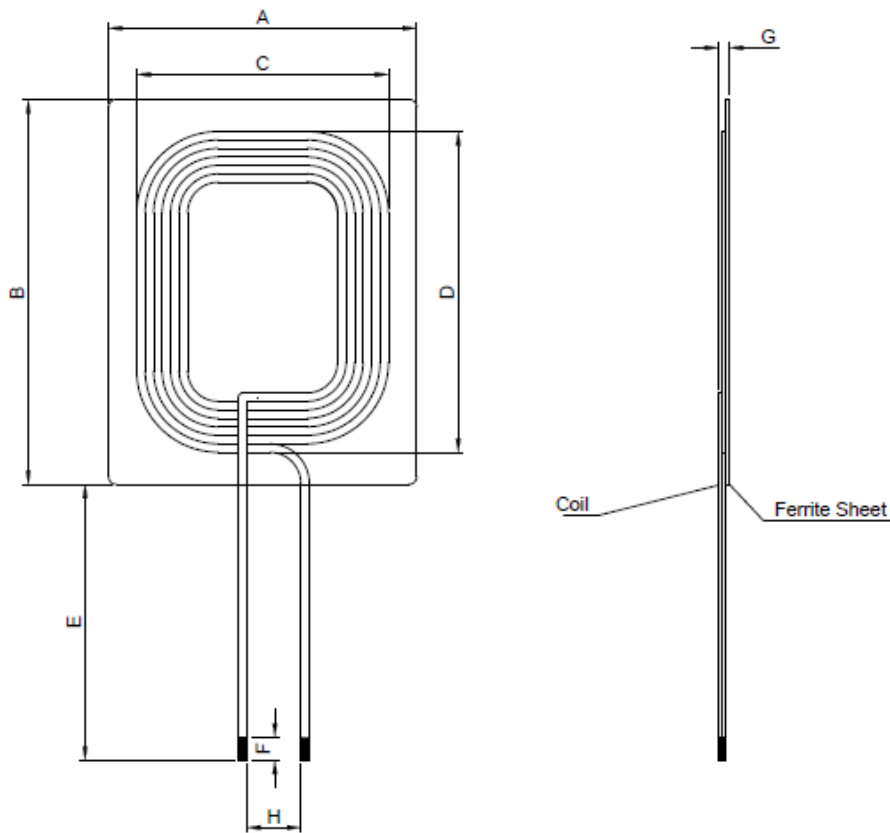
1. Part No. Expression:

**S R X 4 5 3 2 1 7 1 4 0 K S**

(a)            (b)            (c) (d)(e)

- a) Series code                      d) Tolerance Code
- b) Dimension code                e) Single Wire Code
- c) Inductance Code

2. Configuration & Dimensions : (Unit-mm)



A	B	C	D	E	F	G	H
32.0 Max	45.0 Max	29.0 Ref	36.3 Ref	27.0±2.0	5.0±2.0	1.7 Max	5.0 Ref

NOTE: Specifications subject to change without notice. Please check our website for latest information.

### 3. Schematic



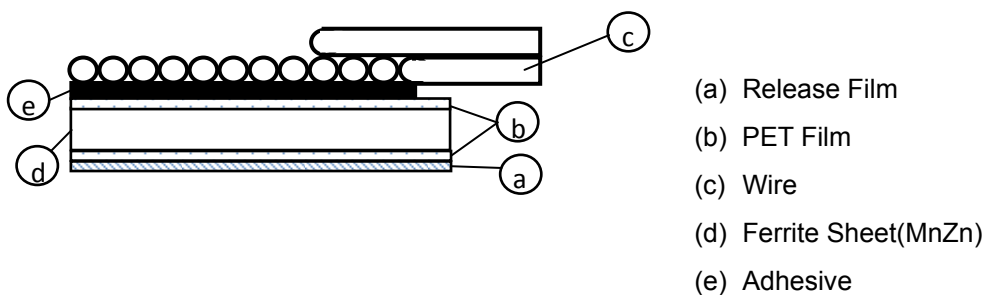
### 4. Electrical Characteristics

Inductance (uH)	Test Frequency (Hz)	DCR Max. (mΩ)	Irms Max. (A)
14.0±10%	1V/100K	355.0	1.2

### 5. General Specification:

- a) Operating Temp. : -40°C ~ +85°C
- b) Storage Temp. : -40°C ~ +85°C (on board)
- c) Irms: Base on temp. rise up to 40°C Max.
- d) Power Rating : 5W

### 6. Material List :



NOTE: Specifications subject to change without notice. Please check our website for latest information.