

1. Part No. Expression:

STX1015704MPA9

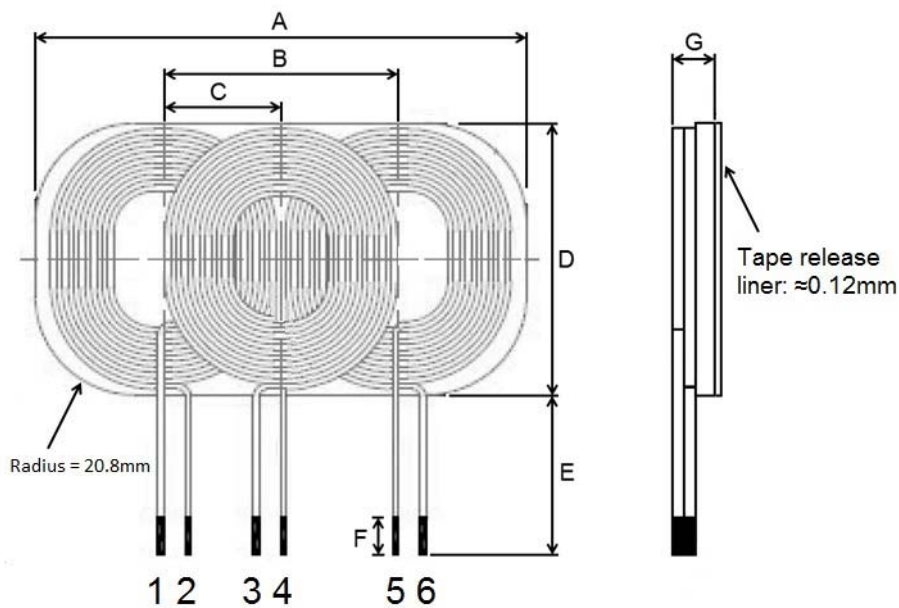
(a) (b) (c)

a) Series Code

c) Qi Design Type

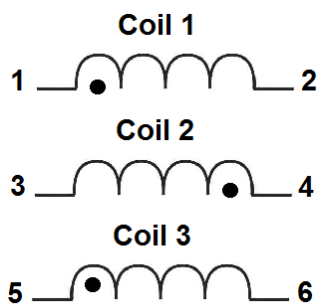
b) Dimension Code

2. Configuration & Dimensions : (Unit: mm)



A	B	C	D	E	F	G
101.8±0.5	48.8±4.0	24.4±2.0	57.3±0.5	48.0 Ref.	5.0 Ref.	4.7 Typ.

3. Schematic:



NOTE: Specifications subject to change without notice. Please check our website for latest information.



4. Electrical Characteristics:

Coil 1 and 3:

Inductance (uH)	Test Frequency (Hz)	DCR (mΩ)	Irms (A)
9.8±10%	1V/100K	80 Max.	7.0 Max.

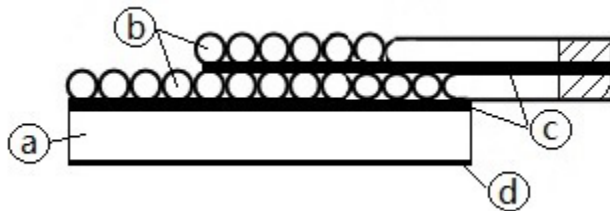
Coil 2:

Inductance (uH)	Test Frequency (Hz)	DCR (mΩ)	Irms (A)
10.2±10%	1V/100K	80 Max.	7.0 Max.

5. General Specification:

- a) Operating Temp. : -40°C ~ +125°C
- b) Storage Temp. : -40°C ~ +125°C (packaging)
- c) Power Rating : 15W
- d) Compliance to Qi standard MP-A9 design

6. Material List:



- a) Ferrite Sheet (MnZn)
- b) Wire
- c) Adhesive
- d) Double Sided Tape

NOTE: Specifications subject to change without notice. Please check our website for latest information.

