

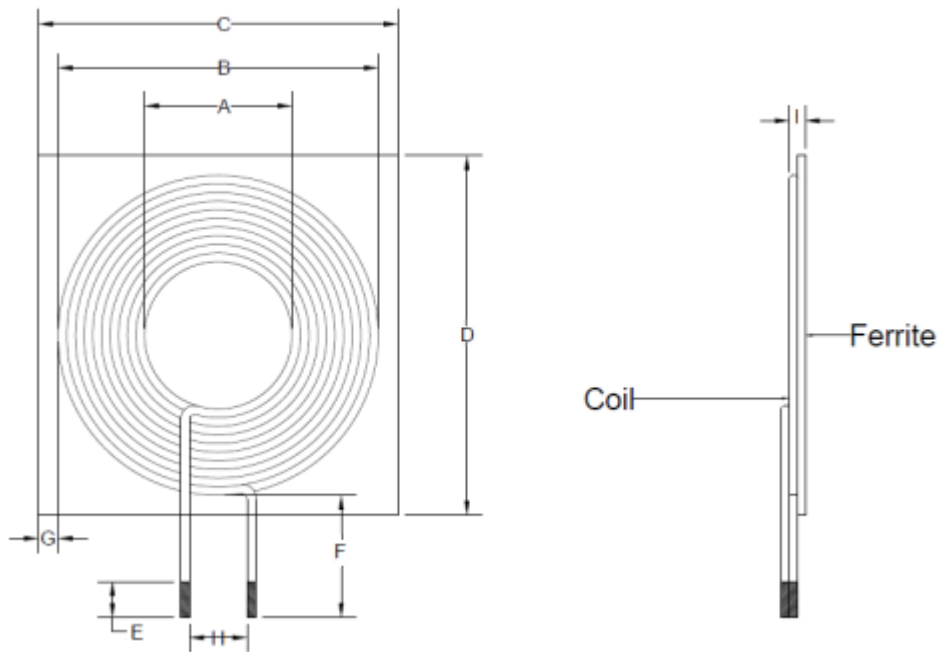
1. Part No. Expression:

**STX5050026R3KA11S**

(a) (b) (c) (d) (e) (f)

- a) Series Code
- b) Dimension Code
- c) Inductance Code
- d) Tolerance Code
- e) Qi Design Type
- f) Single Layer

2. Configuration & Dimensions :



Unit: mm

A	B	C	D	E	F	G	H	I
20.5±0.5	44.0±1.5	50.0±0.5	50.0±0.5	5.0±2.0	17.0±2.0	2.0 Min.	10.0 Typ	3.0 Max

NOTE: Specifications subject to change without notice. Please check our website for latest information.

**3. Schematic**



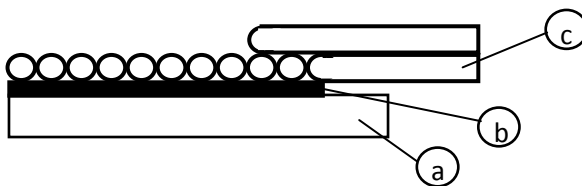
**4. Electrical Characteristics**

Inductance (uH)	Test Frequency (Hz)	DCR Max. (mΩ)	Irms Max. (A)
6.3±10%	1V/100K	45	5.0

**5. General Specification:**

- a) Operating Temp. : -40°C ~ +85°C
- b) Storage Temp. : -40°C ~ +85°C (on board)
- c) Irms: Base on temp. rise up to 40°C Max.
- d) Power Rating : 5W ~ 15W
- e) Compliance to Qi standard A11 design

**6. Material List :**



- (a) Ferrite Sheet(MnZn)
- (b) Adhesive
- (c) Wire

NOTE: Specifications subject to change without notice. Please check our website for latest information.

