

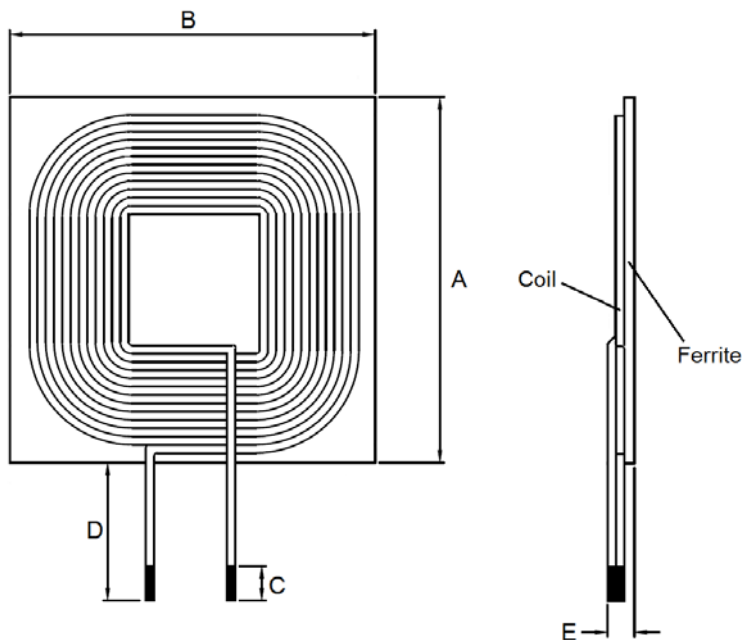
1. Part No. Expression:

**STX555506MPA2**

(a)            (b)            (c)

- a) Series Code
- b) Dimension Code
- c) Qi Design Type

2. Configuration & Dimensions : (Unit: mm)



A	B	C	D	E
55.0±1.0	55.0±1.0	5.0 Ref.	47.0 Ref.	4.5 Max.

3. Schematic



NOTE: Specifications subject to change without notice. Please check our website for latest information.

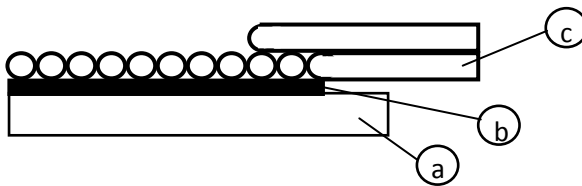
**4. Electrical Characteristics:**

Inductance (uH)	Test Frequency (Hz)	DCR (mΩ)	Irms (A)
10±10%	1V/100K	80 Max.	6.0 Max.

**5. General Specification:**

- a) Operating Temp. : -40°C ~ +85°C
- b) Storage Temp. : -40°C ~ +85°C
- c) Power Rating : 15W
- d) Compliance to Qi standard MP-A2 design

**6. Material List :**



- a) Ferrite Sheet (MnZn)
- b) Adhesive
- c) Wire

NOTE: Specifications subject to change without notice. Please check our website for latest information.