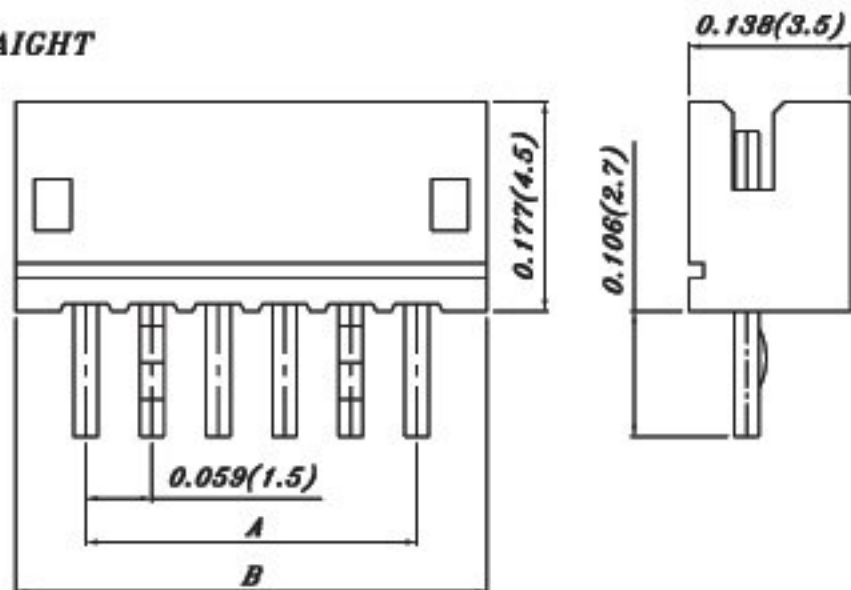
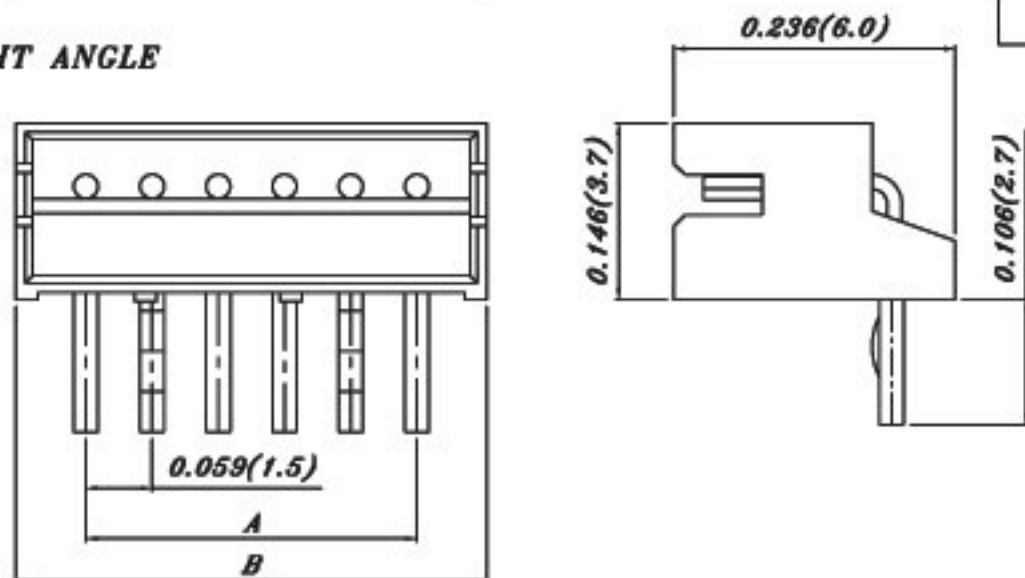


STRAIGHT

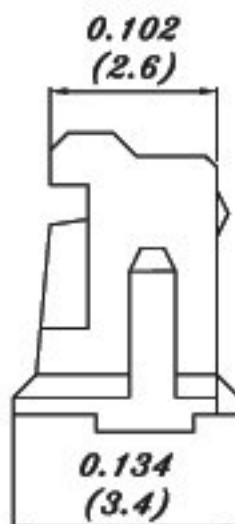
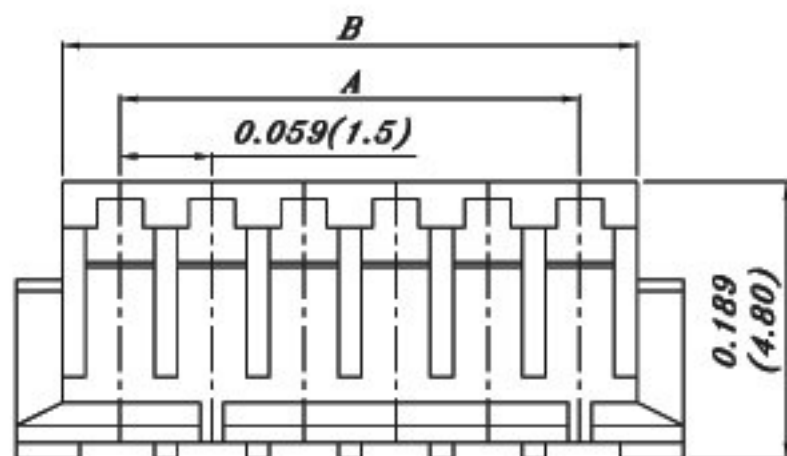
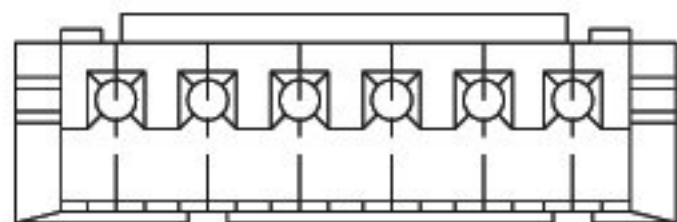


RIGHT ANGLE



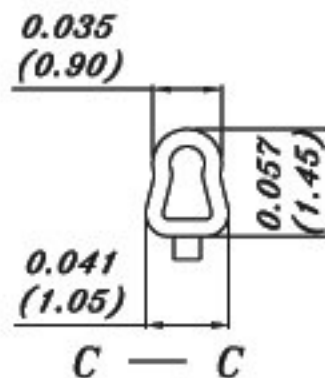
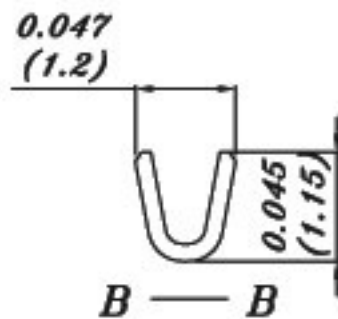
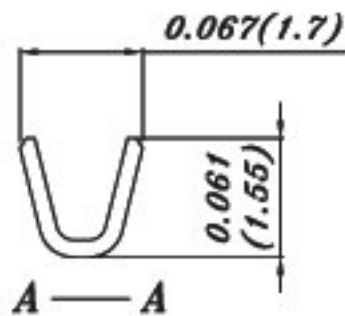
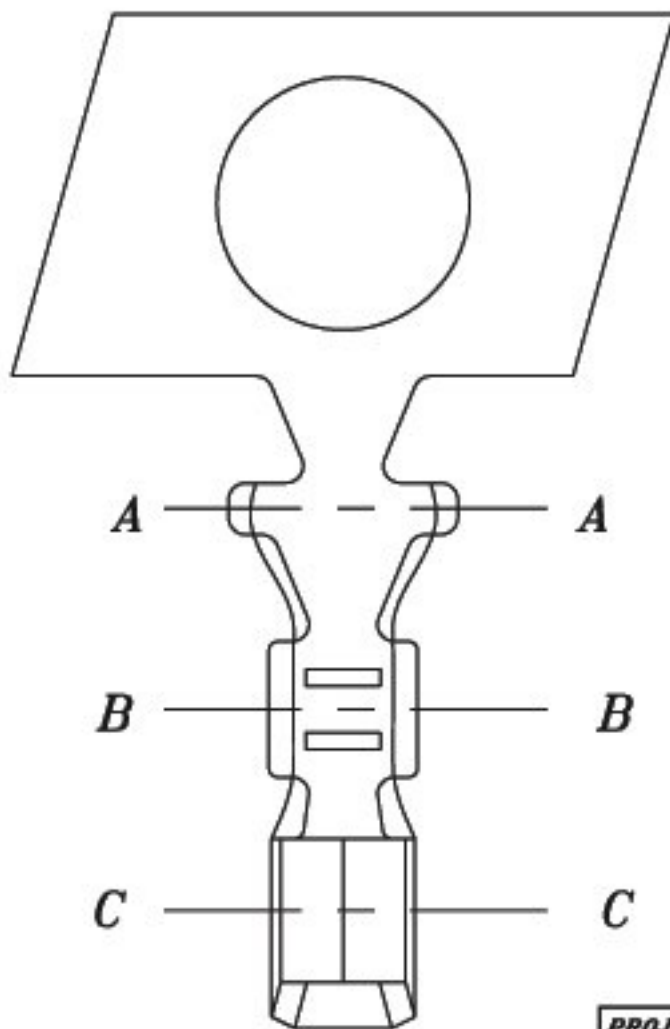
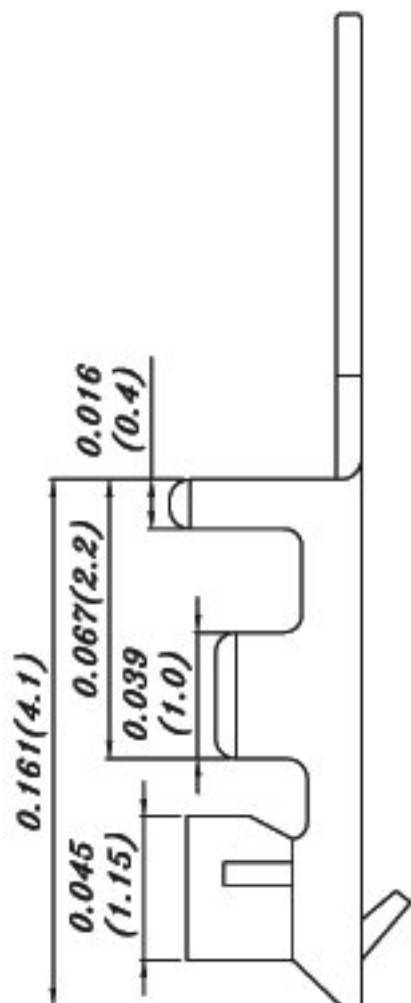
| CIRCUITS | DIMENSION IN.(MM) | | CIRCUITS | DIMENSION IN.(MM) | |
|----------|-------------------|--------------|----------|-------------------|--------------|
| | A | B | | A | B |
| 2 | 0.059(1.5) | 0.179(4.55) | 8 | 0.413(10.5) | 0.533(13.55) |
| 3 | 0.118(3.0) | 0.238(6.05) | 9 | 0.472(12.0) | 0.593(15.05) |
| 4 | 0.177(4.5) | 0.297(7.55) | 10 | 0.531(13.5) | 0.652(16.55) |
| 5 | 0.236(6.0) | 0.356(9.05) | 11 | 0.590(15.0) | 0.711(18.05) |
| 6 | 0.295(7.5) | 0.415(10.55) | 12 | 0.650(16.5) | 0.770(19.55) |
| 7 | 0.354(9.0) | 0.474(12.05) | 13 | 0.709(18.0) | 0.829(21.05) |

| | | | | |
|-----------------------|--|----------------|--|---------------------------------|
| PROJECTION | TOLERANCE UNLESS OTHERWISE SPECIFIED XX ± 0.5 X ± 0.25 .XX ± 0.10 .XXX ± 0.05 | | YIMTEX 穎錕企業有限公司 YIMTEX ELECTRONIC CO., LTD. | |
| | UNITS MM | | | DATE. 02/03/08 |
| APPROVAL | CHECKED | DRAWING | TITLE. 1.5mm wafer | PART NO. 502MW-SERIES |
| | MARK | 陳常雨 | DWG NO. YM-502MW-0001 | |



| Circuits | Dimension in.(mm) | |
|----------|-------------------|-------------|
| | A | B |
| 2 | 0.059(1.5) | 0.130(3.3) |
| 3 | 0.118(3.0) | 0.189(4.8) |
| 4 | 0.177(4.5) | 0.248(6.3) |
| 5 | 0.236(6.0) | 0.307(7.8) |
| 6 | 0.295(7.5) | 0.366(9.3) |
| 7 | 0.354(9.0) | 0.425(10.8) |
| 8 | 0.413(10.5) | 0.484(12.3) |
| 9 | 0.472(12.0) | 0.543(13.8) |
| 10 | 0.531(13.5) | 0.602(15.3) |
| 11 | 0.590(15.0) | 0.661(16.8) |
| 12 | 0.650(16.5) | 0.720(18.3) |
| 13 | 0.709(18.0) | 0.780(19.8) |

| | | | | |
|-----------------------|--|-----------------------|---|---|
| PROJECTION | TOLERANCE UNLESS OTHERWISE SPECIFIED <i>XX</i> ± 0.5 <i>X</i> ± 0.25 <i>.XX</i> ± 0.10 <i>.XXX</i> ± 0.05 | | YIMTEX 穎錕企業有限公司 YIMTEX ELECTRONIC CO., LTD. | |
| | UNITS MM | | | DATE. 02/03/08 REVISE. A/0 |
| APPROVAL | CHECKED MARK | DRAWING 陳常雨 | TITLE. 1.5mm HOUSING PART NO. 502MH-SERIES DWG NO. YM-502MH-0001 | |



| | | | | |
|---|--------------------------------------|--|--|--------------------------|
|  PROJECTION | TOLERANCE UNLESS OTHERWISE SPECIFIED | | YIMTEX 穎錕企業有限公司 YIMTEX ELECTRONIC CO., LTD. | |
| | UNITS MM | $XX \pm 0.5$ $.X \pm 0.25$ $.XX \pm 0.10$ $.XXX \pm 0.05$ | | DATE. 02/03/08 |
| APPROVAL | CHECKED MARK | DRAWING 陳常雨 | REVISE. A/0 | TITLE. 1.5mm TERMINAL |
| | | | PART NO. 502MT-SERBIES | DWG NO. YM-502MT-0001 |