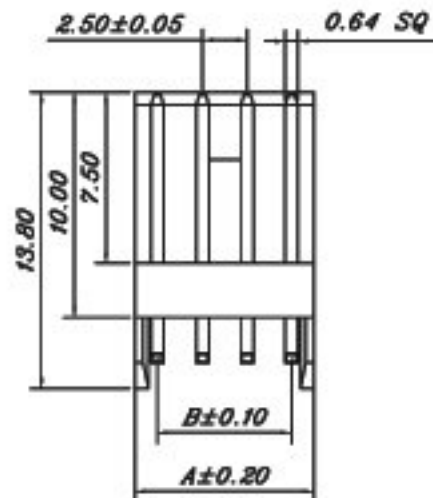
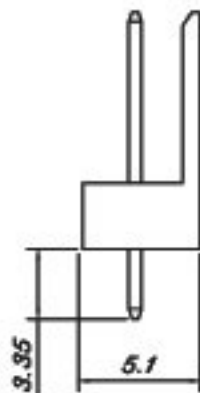
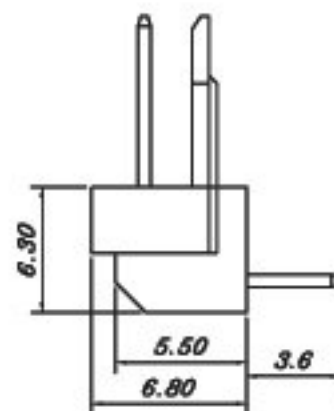


STRAIGHT



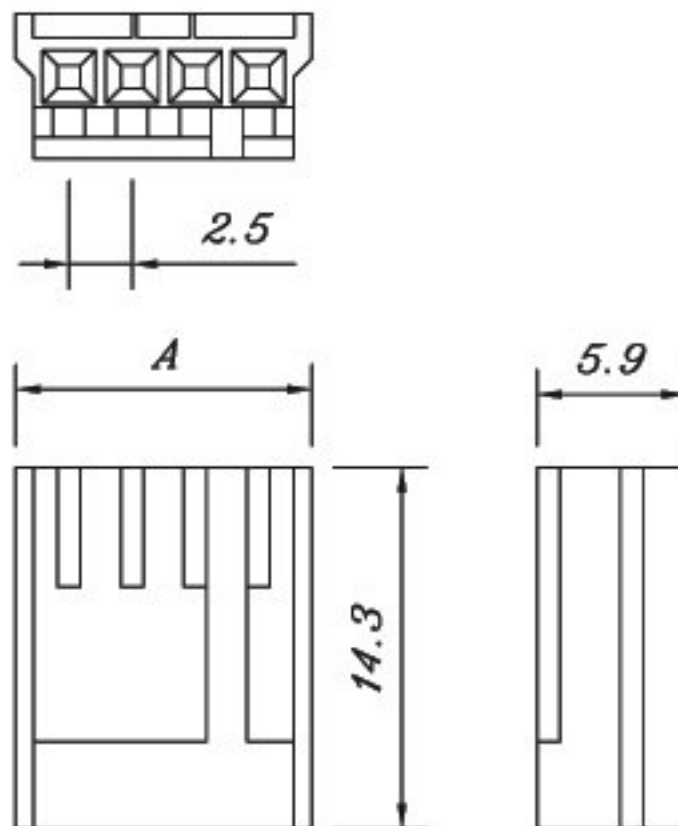
RIGHT ANGLE



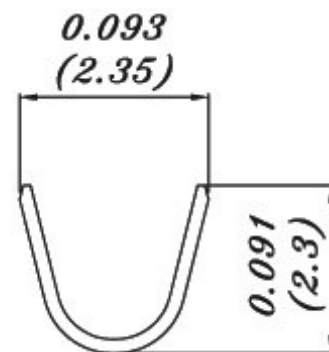
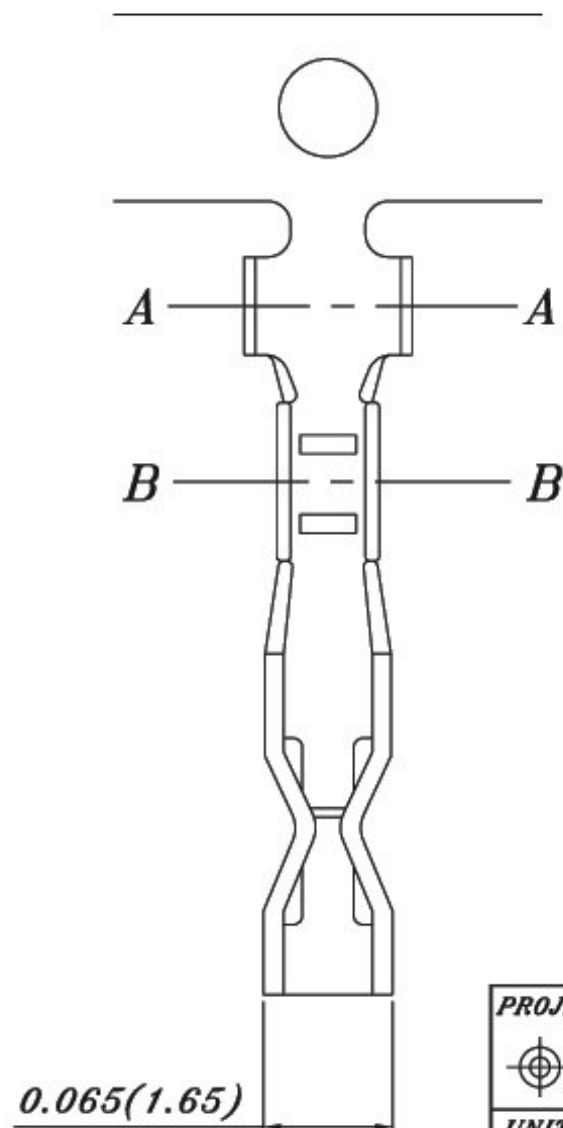
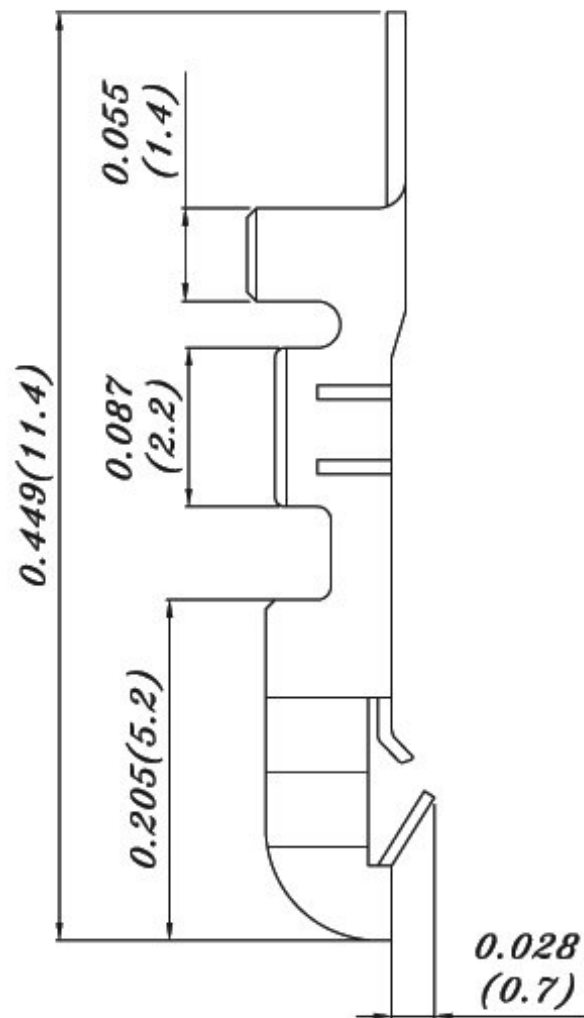
CIRCUITS	DIMENSION	
	A	B
2	5.00	2.50
3	7.50	5.00
4	10.10	7.50
5	12.50	10.10
6	15.00	12.50
7	17.50	15.00
8	20.00	17.50
9	22.50	20.00
10	25.00	22.50
11	27.50	25.00
12	30.00	27.50

PROJECTION 	TOLERANCE UNLESS OTHERWISE SPECIFIED		YIMTEX 穎錕企業有限公司 YIMTEX ELECTRONIC CO., LTD.	
	UNITS	MM		
APPROVAL	CHECKED	DRAWING	DATE.	02/06/19
		ALLEN	REVISE.	A/0
			TITLE.	2.5mm WAFER
			PART NO.	512CW-SERIES
			DWG NO.	YM-512CW-0001

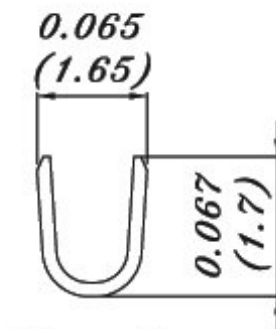
CIRCUITS	DIMENSION
	A
2	7.3
3	9.9
4	12.5
5	14.8
6	17.4
7	20.10
8	22.2
9	25.00
10	27.6
11	29.8
12	32.7



PROJECTION 	TOLERANCE UNLESS OTHERWISE SPECIFIED XX ±0.5 .X ± 0.25 .XX ± 0.10 .XXX±0.05		YIMTEX 穎錕企業有限公司 YIMTEX ELECTRONIC CO., LTD.		
	UNITS MM		DATE. 02/06/19 REVISE. A/0		
APPROVAL	CHECKED	DRAWING	TITLE. 2.5mm HOUSING		
		ALLEN	PART NO. 512CH-SERIES		
			DWG NO. YM-512CH-0001		



A—A



B—B

PROJECTION 	TOLERANCE UNLESS OTHERWISE SPECIFIED		YIMTEX 穎鎂企業有限公司 YIMTEX ELECTRONIC CO., LTD.	
	<i>XX</i> ± 0.5 <i>.X</i> ± 0.25 <i>.XX</i> ± 0.10 <i>.XXX</i> ± 0.05		DATE.	02/03/08
UNITS MM			REVISE.	A/0
APPROVAL	CHECKED	DRAWING	TITLE.	2.5mm TERMINAL
	MARK	陳常雨	PART NO.	512CT-SERIES
			DWG NO.	YM-512CT-0001