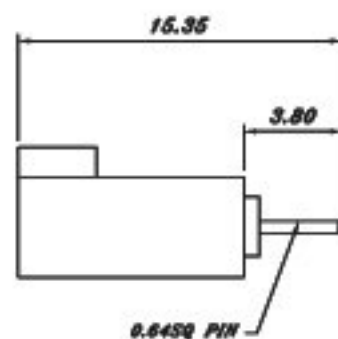
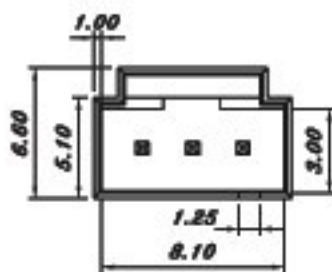
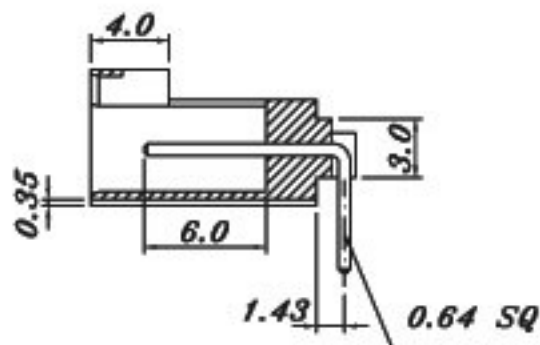
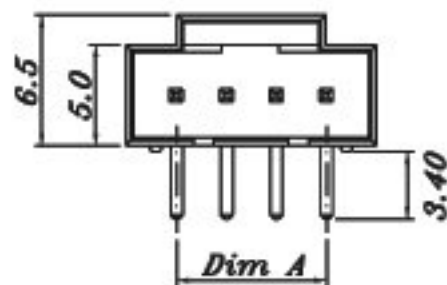
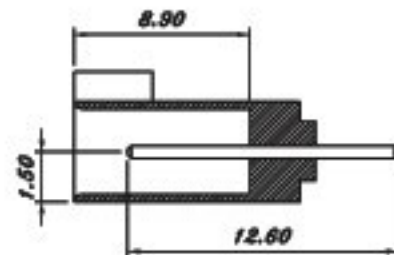
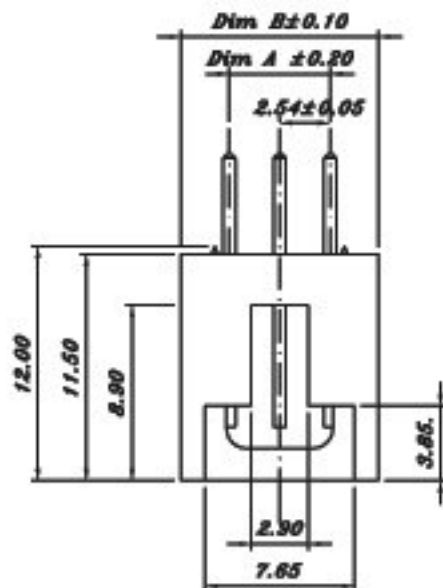
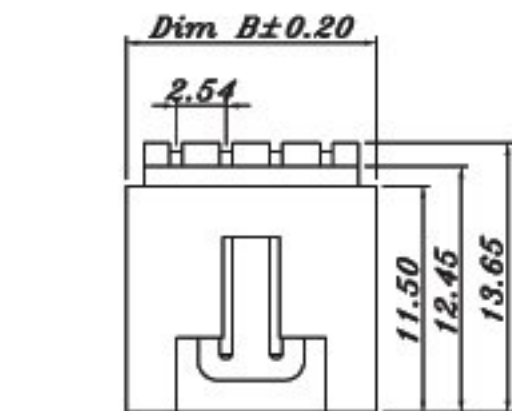


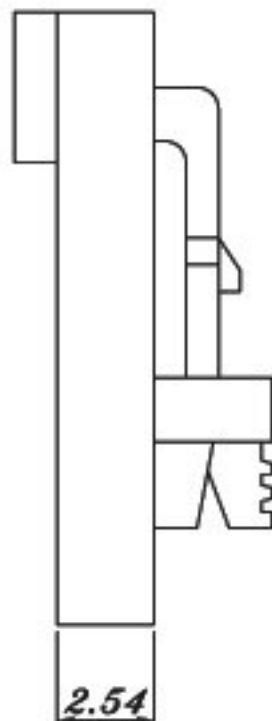
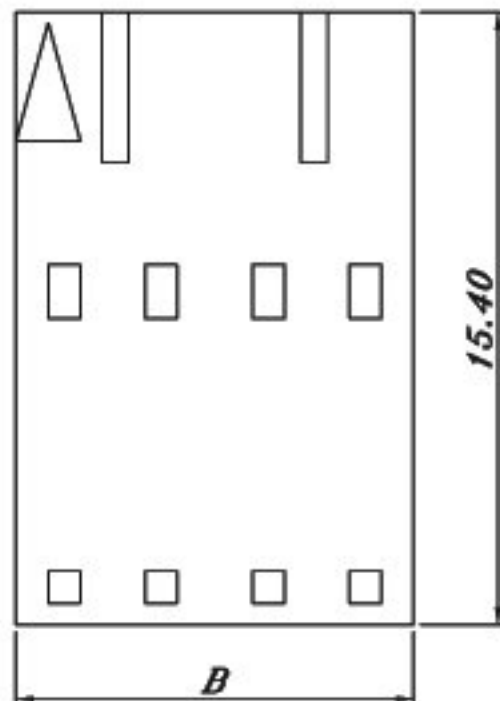
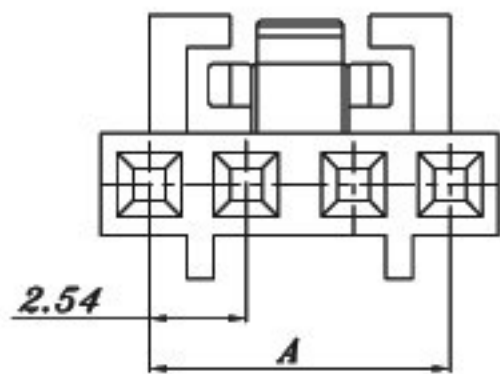
*RIGHT ANGLE

*STRAIGHT



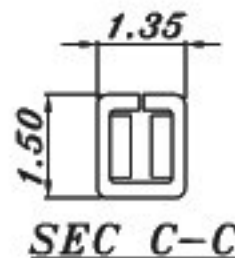
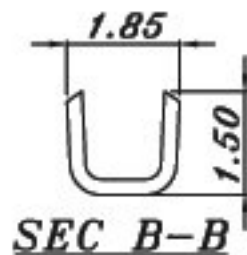
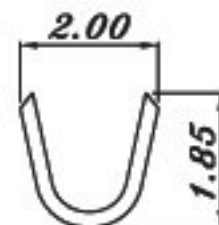
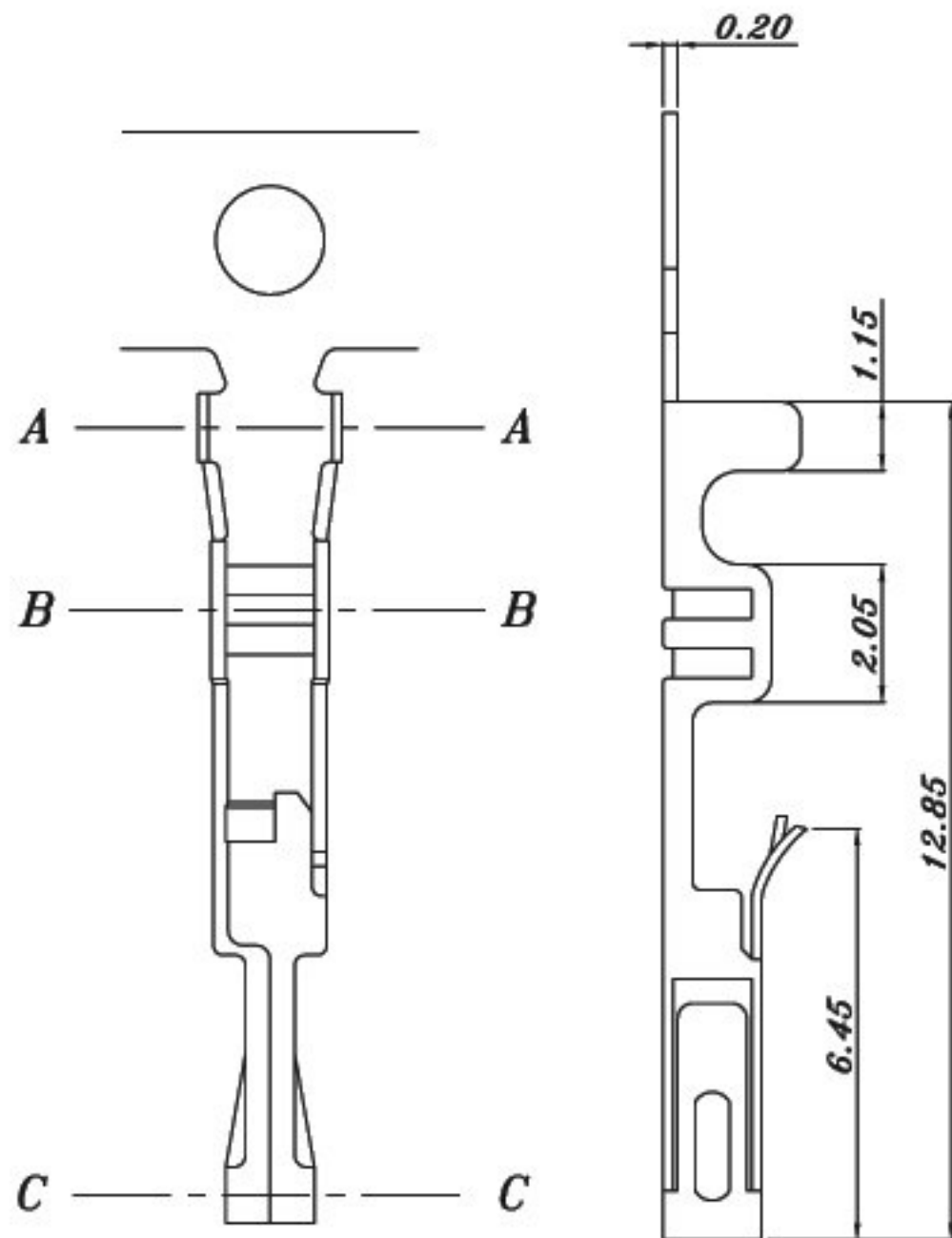
POLES	DIM A	DIM B
2	2.54	7.5
3	5.08	10.1
4	7.62	12.6
5	10.16	15.1
6	12.70	17.7
7	15.24	20.2
8	17.78	22.8
9	20.32	25.3
10	22.86	27.8
11	25.40	30.4
12	27.94	32.9

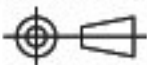
	TOLERANCE UNLESS OTHERWISE SPECIFIED		YIMTEX 穎錕企業有限公司 YIMTEX ELECTRONIC CO., LTD.	
	UNITS MM	XX ± 0.5 .X ± 0.25 .XX ± 0.10 .XXX ± 0.05		
APPROVAL	CHECKED	DRAWING	TITLE. 2.54MM WAFER	PART NO. 522CW-SERIES DWG NO. YM-522CW-0003
		ALLEN		



Circuits	Dimension (mm)	
	A	B
2	2.54	5.08
3	5.08	7.62
4	7.62	10.16
5	10.16	12.70
6	12.70	15.24
7	15.24	17.78
8	17.78	20.32
9	20.32	22.86
10	22.86	25.40
11	25.40	27.94
12	27.94	30.48

PROJECTION		TOLERANCE UNLESS OTHERWISE SPECIFIED		YIMTEX 穎錕企業有限公司 YIMTEX ELECTRONIC CO., LTD.	
UNITS	MM	XX ± 0.5		DATE.	02/03/08
		.X ± 0.25		REVISE.	A/0
		.XX ± 0.10		TITLE.	2.54mm HOUSING
		.XXX ± 0.05		PART NO.	522CH-SERIES
APPROVAL	CHECKED	DRAWING		DWG NO.	YM-522CH-0001
	MARK	陳常雨			



PROJECTION 	TOLERANCE UNLESS OTHERWISE SPECIFIED		YIMTEX 穎錕企業有限公司 YIMTEX ELECTRONIC CO., LTD.	
	$XX \pm 0.5$ $.X \pm 0.25$ $.XX \pm 0.10$ $.XXX \pm 0.05$		DATE.	02/03/08
UNITS MM			REVISE.	A/0
APPROVAL	CHECKED	DRAWING	TITLE.	2.54mm TERMINAL
	MARK	陳常雨	PART NO.	522CT-SERIES
			DWG NO.	YM-522CT-0001