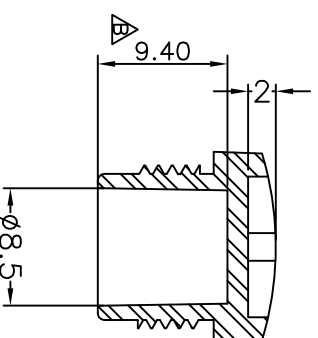
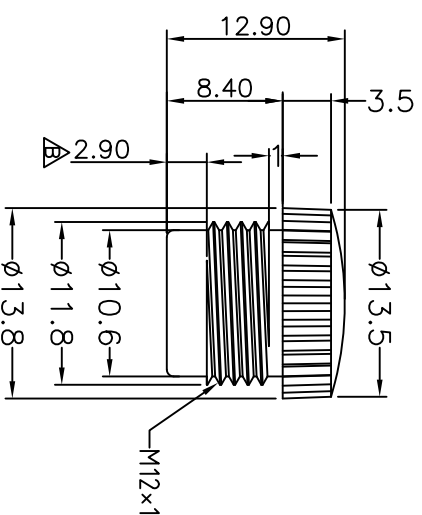
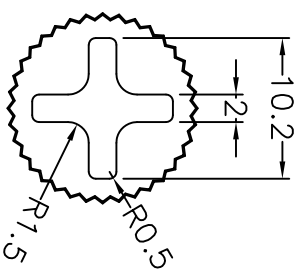


REV.	DESCRIPTION	DATE
A	ISSUE	03/01/2005
A1	Change part No.	Jun/25/2008
B	Change length.	Aug/20/2009



RoHS

No.	PART NAME	DESCRIPTION	COLOR	QTY	REMARKS
1	CAP	NYLON+GF	BLACK	1	KH11170

<p>HOLIN HTP ASIA TECHNOLOGY CO., LTD.</p>	
<p>UNLESS OTHERWISE SPECIFIED TOLERANCES: x ± 0.25 xx ± 0.1 xxx ± 0.05 ANGLE ± 1°X</p>	<p>TITLE : WATERPROOF CAP FOR M12F</p>
<p>SCALE : 2:1</p>	<p>UNIT: mm</p>
<p>REV. B</p>	<p>SHEET 1/1</p>
<p>DWG.NO: 12P-WCAP-FA</p>	<p>P/N: 12P-WCAP-FA</p>
<p>DR. <i>jaesj</i></p>	<p>CH. <i>je.N.ryy</i></p>
<p>AP.</p>	