

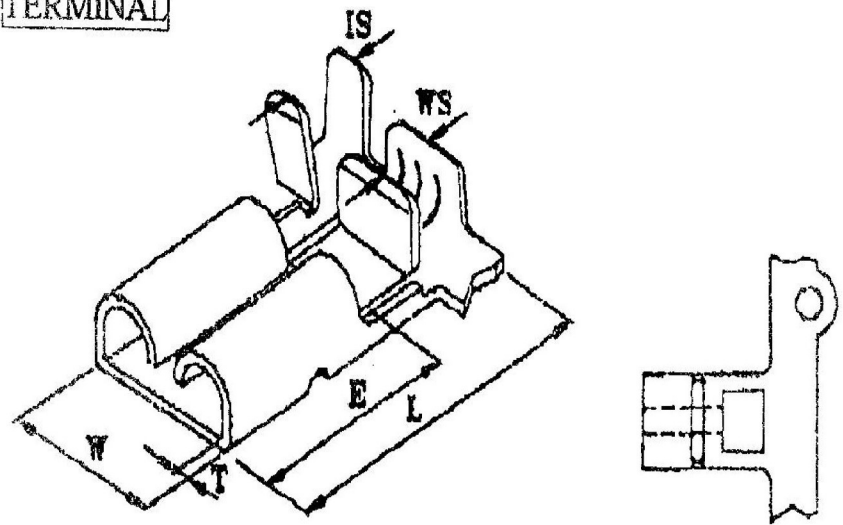
REV	DATE	DETAILS

RoHS

SPECIFICATION

(Finish Of Product Drawing)

TERMINAL



PARTS NO 2050-2
MATERIAL BRASS
SUITABLE TERMINAL
APPLICABLE MIRES AWG#18-20
INSULTION OD (MM) 3.2-2.6
STANTARD PACKING 5000 PCS
SURFACE TREATMENT **Tin/Brass**

T:0.4±0.03	W:6.4±0.3	L:12±0.3	P:17
WS:3.3±0.3	IS:4.2±0.3	E:6.1±0.3	

JIA YI ELECTRONIC CO., LTD	APPROVED	CHECKED	DRAWN BY	UNIT	TOLARANCE	ITEM NUMBER	PART NAME	REV
	NICK	ERIC	JACK	mm	X.± 0.5		205 Flag Terminal	
				SCALE	.X ± 0.3		AWG#18~20	PAGE NO
				NOT	.XX ± 0.2 .XX ± 0.1			1 / 1