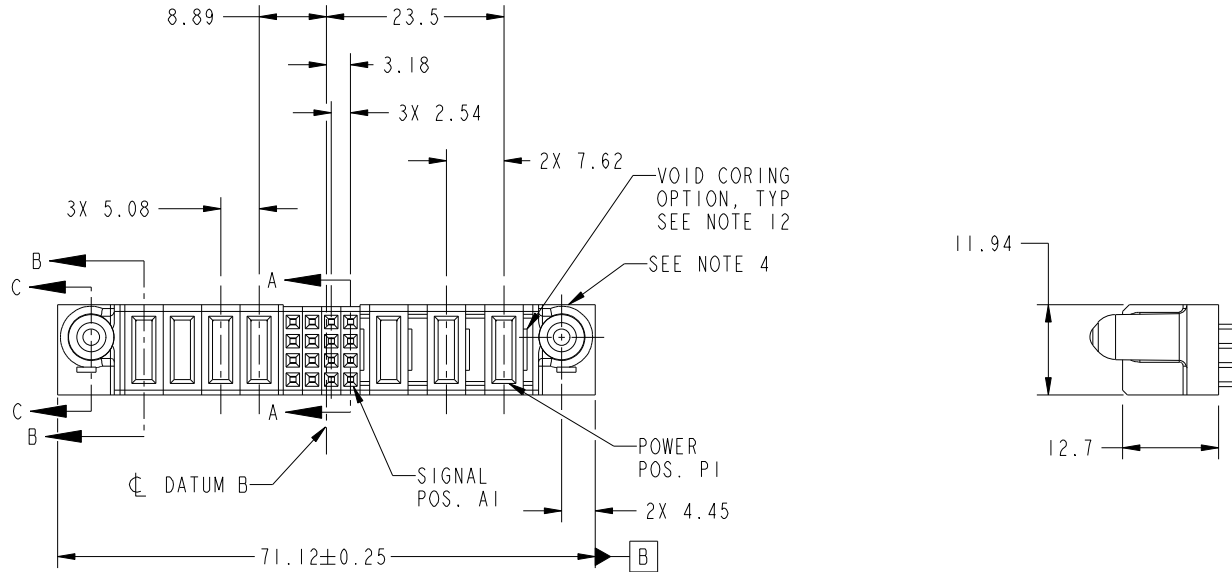


Tous droits strictement réservés. Reproduction ou communication a des tiers interdite sous quelque forme que ce soit sans autorisation écrite du propriétaire. Propriété de c.FCI. Droits de reproduction FCI.

All rights strictly reserved. Reproduction or issue to third parties in any form whatever is not permitted without written authority from the proprietor. Property of FCI. Copyright FCI.



PRODUCT NO.	ROWS	POWER				SIGNAL				POWER			E1	
		E2	P7	P6	P5	P4	4	3	2	1	P3	P2		P1
51940-258-- NOTE: 3	D C B A													



CODE	DIM "M" MATING LENGTH	CONTACT TYPE
E	[N/A]	SIGNAL
PA	[1.07]	POWER
PD	[2.34]	POWER

mat'l code				SEE NOTES		tolerances unless otherwise specified		CUSTOMER		 www.fciconnect.com	
lir	ecn no.	dr	date	linear	0.X ±0.5	COPY		projection		title	
A	DG08-0195	W D	07/29/08	angles	0.XX ±0.25	MM				3ACP + 16S + 4P VERTICAL SOLDER RECEPT	
					0.XXX ±0.1	scale		product family		code	
				dr	0° ±2°	1:1		PwrBlade		213	
				enrg	Warren Du 07/10/08			size		sheet	
				chr	Jerome Chen 07/10/08			A		1 of 4	
				appd	Gary Hsieh 07/10/08			51940-258			
sheet index	revision sheet	A	A	A	A						
		1	2	3	4						

1 | 2

Pro/E

eDOC - PDM: Rev: A

STATUS: Released

Printed: Apr 11, 2011

3 |

4

A

A

B

B

cage code 22556

4

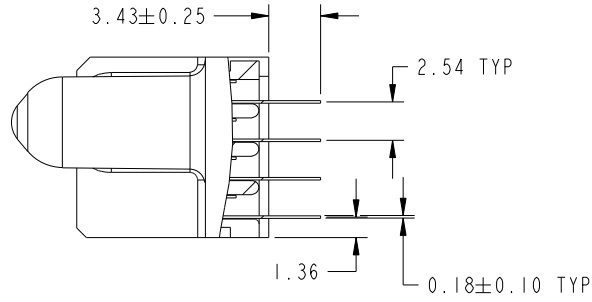
Tous droits strictement reserves. Reproduction ou communication a des tiers interdite sous quelque forme que ce soit sans autorisation ecrite du proprietaire. Propriete de c FCI. Droits de reproduction FCI.

All rights strictly reserved. Reproduction or issue to third parties in any form whatever is not permitted without written authority from the proprietor. Property of FCI. Copyright FCI.

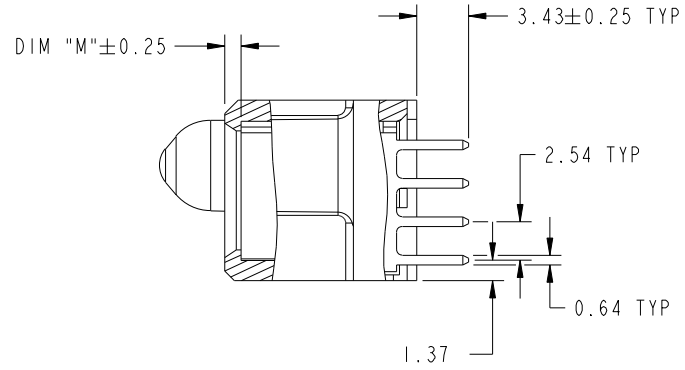


PRODUCT NUMBER

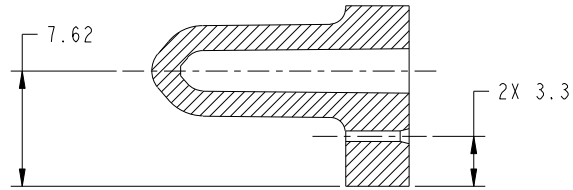
51940-258__
NOTE: 3



SECTION A-A
SCALE 2:1



SECTION B-B
SCALE 2:1



SECTION C-C
SCALE 2:1

mat'l code				tolerances unless otherwise specified		CUSTOMER		 www.fciconnect.com			
lfr	ecn no.	dr	date	linear	0.X ±0.5	projection	 MM	title			
A					0.XX ±0.25			3ACP + 16S + 4P		code	
					0.XXX ±0.1			VERTICAL SOLDER RECEPT		213	
				angles	0° ±2°	scale	1:1	product family			
				dr	Warren Du 07/10/08			PwrBlade		sheet	
				enrg	Jerome Chen 07/10/08			size		2 of 4	
				chr	Gary Hsieh 07/10/08			A		51940-258	
				appd	Joseph Hsia 07/10/08			A		2256	
sheet index	revision sheet										

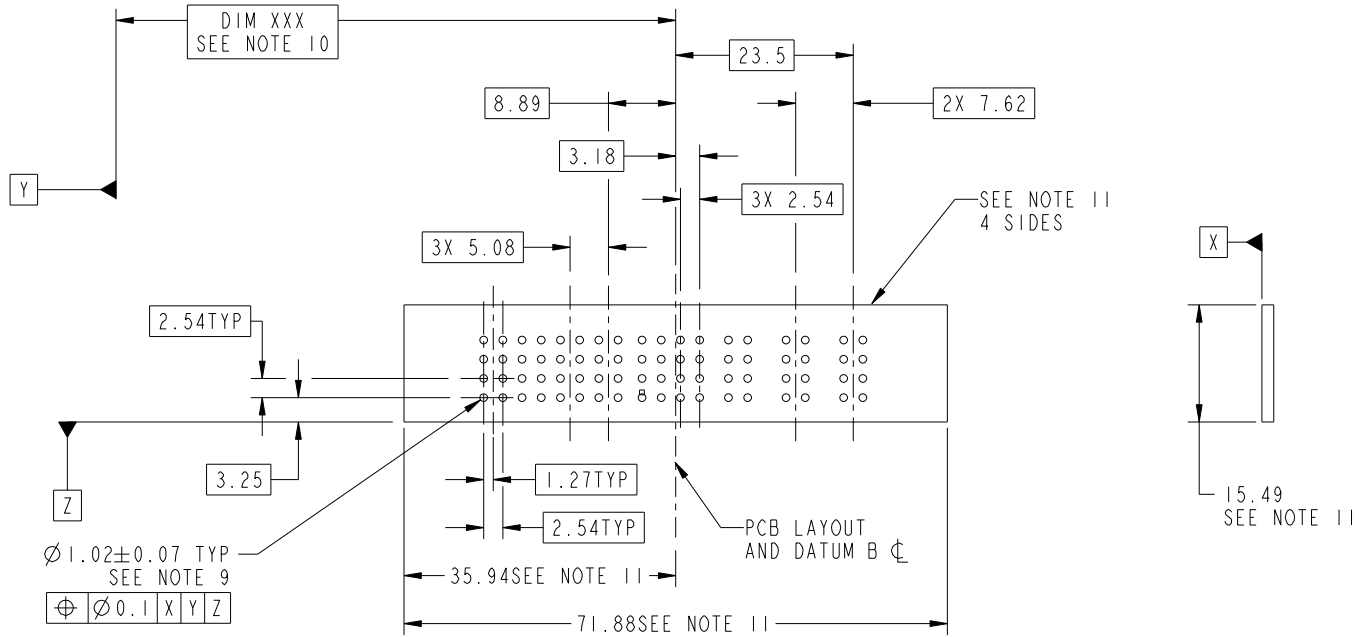
Tous droits strictement reserves. Reproduction ou communication a des tiers interdite sous quelque forme que ce soit sans autorisation ecrite du proprietaire. Propriete de c.FCI. Droits de reproduction FCI.

All rights strictly reserved. Reproduction or issue to third parties in any form whatever is not permitted without written authority from the proprietor. Property of FCI. Copyright FCI.



PRODUCT NUMBER

51940-258__
NOTE: 3



mat'l code				tolerances unless otherwise specified		CUSTOMER		 www.fciconnect.com	
ltr	ecn no.	dr	date	linear	0.X ±0.5	COPY		title	
A					0.XX ±0.25	projection		3ACP + 16S + 4P	
					0.XXX ±0.1			VERTICAL SOLDER RECEPT	
				angles	0° ±2°			product family	
		dr	Warren Du	07/10/08	MM		PwrBlade		code
		enr	Jerome Chen	07/10/08			size	dwg no	213
		chr	Gary Hsieh	07/10/08	scale		A	51940-258	sheet
		appd	Joseph Hsia	07/10/08	1:1				3 of 4
sheet index	revision sheet								

1 | 2

3 |

4

A

A

B

B

1 | 2

Pro/E

eDOC - PDM: Rev: A

STATUS: Released

Printed: Apr 11, 2011

cage code 2256

4

Tous droits strictement reserves. Reproduction ou communication a des tiers interdite sous quelque forme que ce soit sans autorisation écrite du propriétaire. Propriete de c FCI. Droits de reproduction FCI.

All rights strictly reserved. Reproduction or issue to third parties in any form whatever is not permitted without written authority from the proprietor. Property of FCI. Copyright FCI.



1 | 2

3

4

PRODUCT NUMBER

51940-258__
NOTE: 3

NOTES:

1. DIMENSIONS AND TOLERANCES ARE IN ACCORDANCE WITH ASME Y14.5M, 1994 UNLESS OTHERWISE SPECIFIED.

CONNECTOR NOTES:

- ② HOUSING MATERIAL: UL 94 V-0 GLASS FILLED HIGH-TEMP THERMOPLASTIC
POWER CONTACT MATERIAL: COPPER ALLOY
SIGNAL PIN MATERIAL: COPPER ALLOY
- 3. PLATING SPEC.
51940-258, 51940-258LF PLATING SPEC. WAS SHOWN IN THE PRINT OF 10064183.
- ④ MANUFACTURER'S NAME, P/N, AND DATE CODE TO APPEAR ON THIS SURFACE.
- 5. PRODUCT SPECIFICATION GS-12-149.
APPLICATION SPECIFICATION BUS-20-067.
- 6. PACKAGED IN TRAYS.

PCB NOTES:

- 7. ALL HOLE DIAMETERS ARE FINISHED HOLE SIZE.
- ⑧ MOUNTING HOLES, WHERE APPLICABLE, ARE UNPLATED.
- ⑨ $\varnothing 1.151 \pm 0.025$ DRILLED HOLES PLATED WITH
0.008 MIN SnPb OR Sn OVER 0.03
TO 0.08 Cu PLATING TO ACHIEVE
 $\varnothing 1.02 \pm 0.07$ HOLE.
- ⑩ "DIM XXX" TO BE DETERMINED BY THE CUSTOMER.
- ⑪ CONNECTOR KEEP-OUT ZONE.
- 12. THE VOID CORING IN BETWEEN POWER MODULES, SIGNAL MODULES AND END MODULES ARE OPTIONAL AND THE SHAPE MAY BE DIFFERENT FOR OPTIMIZE THE MOLDING PROCESS. THE VOID CORING WILL NOT EFFECT TO PRODUCT FUNCTION.

mat'l code				tolerances unless otherwise specified		CUSTOMER		 www.fciconnect.com	
ltr	ecn no.	dr	date	linear	0.X ± 0.5		COPY		title 3ACP + 16S + 4P VERTICAL SOLDER RECEPT
A					0.XX ± 0.25		projection		
					0.XXX ± 0.1				
				angles	0° ± 2°				product family PwrBlade code size dwg no 213 A 51940-258 sheet 4 of 4
				dr	Warren Du	07/10/08			
				enrg	Jerome Chen	07/10/08	scale		
				chr	Gary Hsieh	07/10/08	1:1		
				appd	Joseph Hsia	07/10/08			
sheet index	revision sheet								

1 | 2

Pro/E

eDOC - PDM: Rev: A

STATUS: Released

Printed: Apr 11, 2011

cage code 2256

4