

NOTES: TYPICAL SPECIFICATIONS

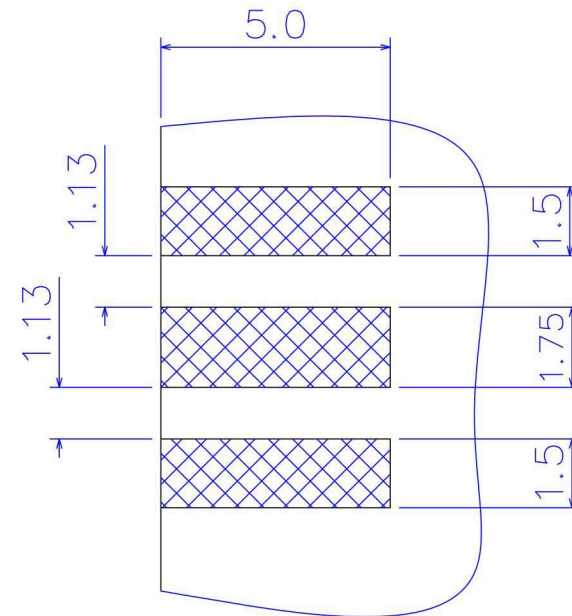
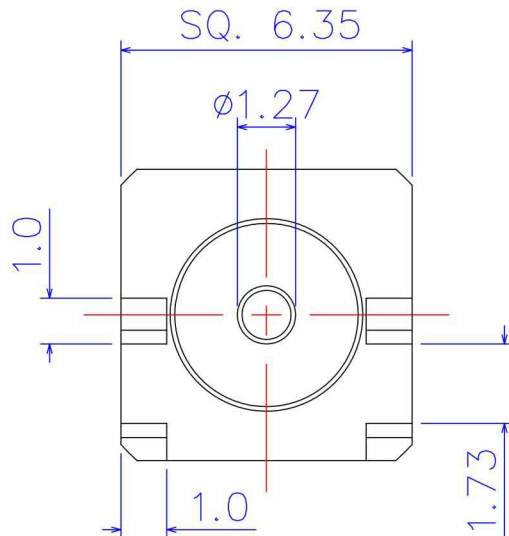
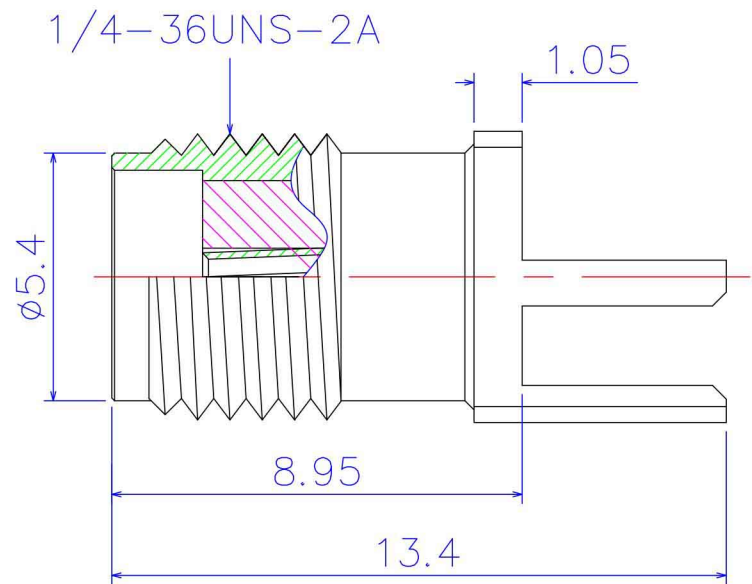
1.0. ELECTRICAL DATA

- 1.1. FREQUENCY RANGE --- DC ... 3 GHz
- 1.2. IMPEDANC --- 50 Ohms
- 1.3. VSWR --- < 1.25
- 1.4. DIELECTRIC WITHSTANDING VOLTAGE --- 500 Vrms
- 1.5. INSULATION RESISTANCE --- 1000 Mega-Ohms
- 1.6. CENTER CONTACT RESISTANCE --- 10.0 mini-Ohms
- 1.7. OUTER CONTACT RESISTANCE --- 6.0 mini-Ohms

2.0. MECHANICAL DATA

- 2.1. COUPLING METHOD --- THREADED
- 2.2. DURABILITY (MATING/UNMATING) --- 500 Cycles

REV.	DESCRIPTION	DRAWN/DATE	CHECK/DATE	APPROVED/DATE



RECOMMEND PCB LAYOUT



BOM

ITEM	ITEM NAME	MATERIAL	FINISH	Q'TY/EA	PART NUMBER
3	FEMALE INSULATOR	TEFLON		1	
2	FEMALE CONDUCTOR	PHOSPHOR BRONZE	GOLD	1	
1	JACK BODY	BRASS	GOLD	1	

THIS DRAWING IS A CONTROLLED DOCUMENT	
GENERAL TOLERANCE	ANGLE TOLERANCE
X. ±0.38	X' ±3.0'
.X ±0.25	.X' ±2.0'
.XX ±0.15	.XX' ±1.0'
.XXX ±0.05	
UNLESS OTHERWISE SPECIFIED	
1.REMOVE ALL BURRS	
2.BREAK ALL SHARP EDGES C0.2 MAX.	
3.CHAMFER 1ST~LAST THREADS 45°	
4.MACHINE SURFACE ROUGHNESS	
5.DIAMETERS ON CONE/CEN CENTERS TO BE CONCENTRIC WITHIN 0.2 T.I.R.	
6.ALL DIMENSIONS ARE AFTER PLATING	
MATERIAL	FINISH
SEE BOM	SEE BOM

DRAWN	DATE
NEIL	04/29/2011
CHECKED	DATE
APPROVED	DATE
UNIT	SIZE
mm [INCHES]	A3

DRAWN		DATE	
NEIL		04/29/2011	
CHECKED		DATE	
APPROVED		DATE	
UNIT		SIZE	
mm [INCHES]		A3	
TITLE			
SMA jack St PCB Edge Mount			
CUSTOMER DRAWING		SHEET 1 OF 1	
FILE NO:A0972-50111T0-A		SCALE 10 : 1	

JIA YI ELECTRONIC CO., LTD.

SMA jack St PCB Edge Mount

A0972-50111T0

REV. A