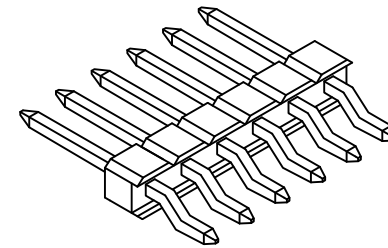


Recommended PCB Layout
General Tolerance: ± 0.05

▨ Solder Area



Specifications 规格

Material 物料

Insulator 绝缘体: Polymer 聚合物, LCP 30% glass filled, Natural, UL94V-0

Contact 接触: Copper Alloy

Plating 电镀

Underplating 底层电镀: 30 μ "-50 μ " Nickel all over
Contact Area 接触部分: See ordering grid

Electrical 电气

Current Rating 电流额定值: 3A per pin
Contact Resistance 接触电阻值: 20 m Ω max.
Insulating Resistance 绝缘电阻值: 1000 M Ω min.
Dielectric Withstand Voltage 耐电压: 500V AC

Mechanical & Environmental 机械 & 环境

Operating Temperature 工作温度: -40°C to +105°C

Soldering Process 可焊性:

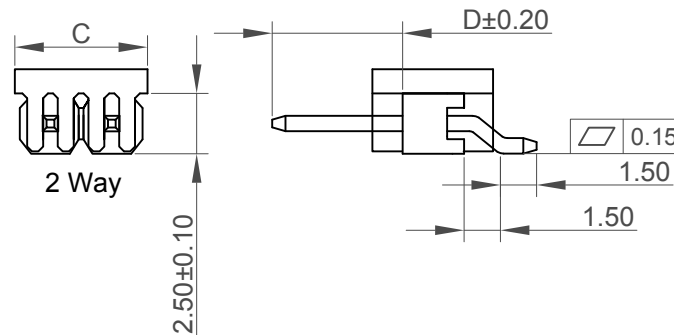
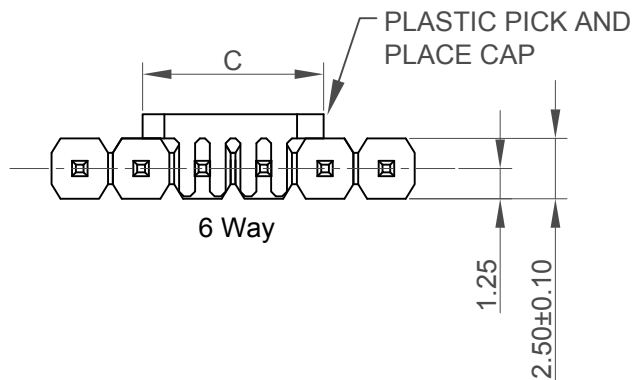
IR Reflow 回流焊: 260°C for 10 secs
Manual Solder 人工焊接: 350°C for 3-5 secs

Mates with 配套之母座:

BG300 - Horizontal mating - Choose 5.4mm header pin length
BG300 - 水平交配 - 选择 5.4mm 的的头脚长度
BG306 - Perpendicular mating - Choose 4.0mm header pin length - Higher MOQ may apply
BG306 - 垂直交配 - 选择 5.4mm 的的头脚长度 - 更高MOQ可能申请

NOTES 备注:

Standard black version BG301 is BG080
BG301的标准黑色塑胶版本为料号为BG080



CONTACTS	DIMENSIONS		
	A	B	C
02	5.08	2.54	5.50
03	7.62	5.08	7.50
04	10.16	7.62	7.50
05	12.70	10.16	7.50
06	15.24	12.70	7.50

Ordering Grid

BG301 - XX - X - XXXX - L - B Request Samples and Quotation

No. of Contacts
02 to 06

Contact Plating
A = Gold Flash All Over
(Other plating options available on request)

Packing Options

B = Tape and Reel with Cap
(MOQ 1,000 pcs on 5.4mm post length)
(check with GCT for MOQ on 4.0mm post length)

Insulator Material
L = LCP (Natural)

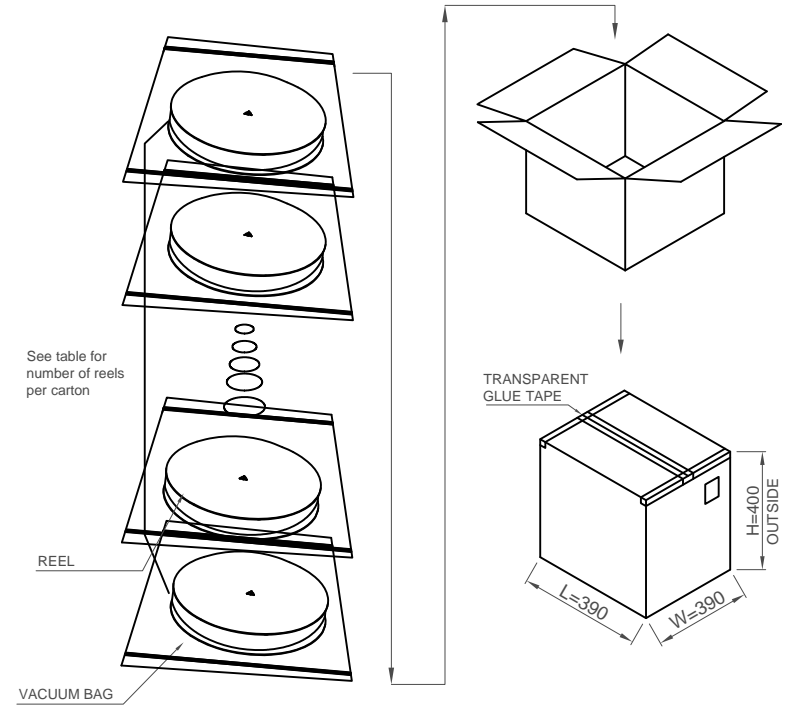
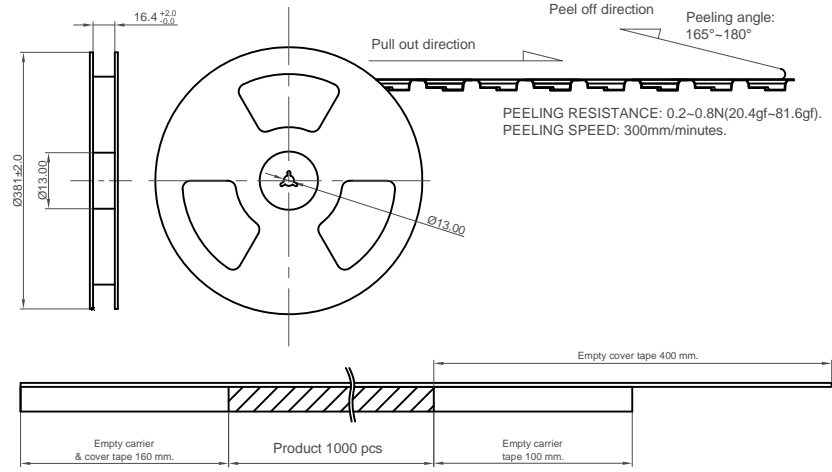
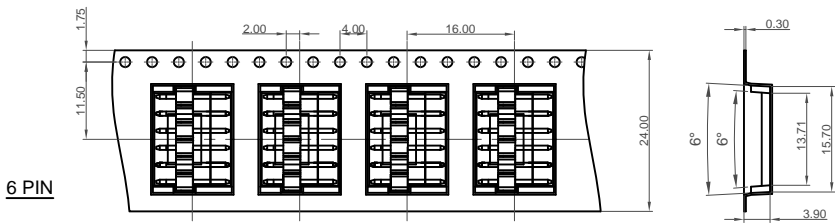
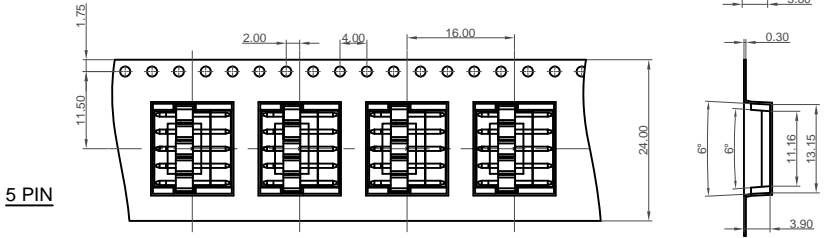
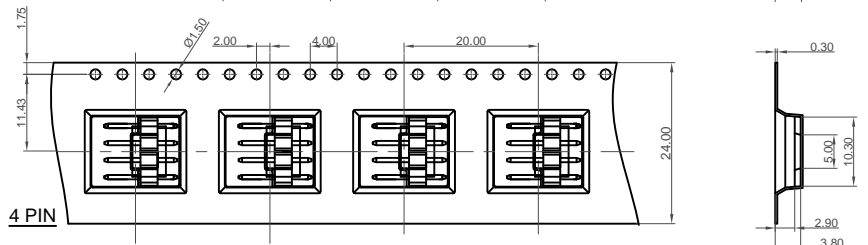
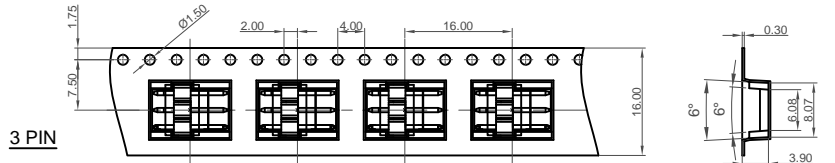
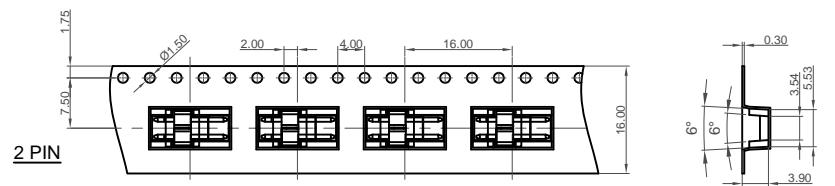
Dimension D - Post Length

0400 = 4.00mm (Standard when mating with BG306)
0540 = 5.40mm (Standard when mating with BG300)
or Specify Custom Post Length
eg 0250 = 2.50mm

Part Number BG301		Product Description 2.54mm Pitch Pin Header, Single Row, Surface Mount, Horizontal, without Locating Peg, Natural LCP	
Drawing Date 7th December 2011			
By CC	Detail BG301 C PCN	Tolerances (Except as Noted) Length X.X \pm 0.30 X.XX \pm 0.20	Units: Metric (mm)
Revision C2	Date 30/11/16	3rd Angle Projection	
		This drawing is confidential and copyright of Global Connector Technology, Ltd (GCT). This drawing must not be copied or disclosed without written consent. E & OE	
Not to Scale		Drawn By CM	Sheet No. 1/2

GCT
Global Connector Technology
www.gct.co

FOR 5.40mm PIN LENGTH ONLY



PINS	UNITS/REEL	REELS PER CARTON	CARTON	TOTAL CARRIER TAPE LENGTH
2 & 3	1000 PCS	16	16,000	16.5 m
4	1000 PCS	10	10,000	20.7 m
5 & 6	1000 PCS	10	10,000	16.5 m

Part Number		Product Description	
BG301		2.54mm Pitch Pin Header, Single Row, Surface Mount, Horizontal, without Locating Peg, Natural LCP	
Drawing Date		7th December 2011	
By	CC	Tolerances (Except as Noted)	Units:
Detail	BG301	Length	Metric (mm)
Revision	C PCN	Angle	
Date	C2		
	30/11/16		



This drawing is confidential and copyright of Global Connector Technology, Ltd (GCT). This drawing must not be copied or disclosed without written consent. E & OE

GCT
Global Connector Technology
www.gct.co

Not to Scale
Drawn By CM
Sheet No. 2/2