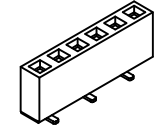


R1 TYPE



R2 TYPE

CONTACTS	DIMENSIONS	
	A	B
2	5.08	2.54
3	7.62	5.08
4	10.16	7.62
5	12.70	10.16
6	15.24	12.70

SPECIFICATIONS 规格

CURRENT RATING 电流额定值: 3 AMP
 INSULATION RESISTANCE 绝缘电阻值: 1000MΩ MIN.
 DIELECTRIC WITHSTANDING 耐电压: 500V AC/Minute
 CONTACT RESISTANCE 接触电阻值: 20mΩ MAX.
 OPERATING TEMPERATURE 工作温度: -40°C TO +105°C
 CONTACT MATERIAL 端子物料: PHOSPHOR BRONZE
 PLATING 电镀: CONTACT AREA 接触面积: 50μ" NICKEL UNDERPLATE, FOR PLATING SEE ORDERING GRID.
 INSULATOR MATERIAL 绝缘体物料: POLYESTER 聚酯, LCP 30% GLASS FILLED, NATURAL, UL94V-0
 SOLDERING PROCESS 可焊性:
 IR REFLOW 回流焊: 260°C FOR 10 SEC.
 MANUAL SOLDER 人工焊接: 350°C FOR 3-5 SEC

MATES WITH 配套之公头:
 BG301 - SELECT 4.00mm PIN LENGTH 选择 4.00mm 引脚长度, BG303, BG304 & BG305

NOTES 备注:
 STANDARD BLACK VERSION OF BG306 IS BG125
 BG306 的标准黑色塑胶版本为料号为 BG125

Ordering Grid

BG306 - XX - X - X - 0400 - L - X **REQUEST SAMPLES AND QUOTATION**

No. of Contacts
 02 to 06

Contact Plating
 A = Gold Flash All Over

Other plating options
 available on request

Type
 1 = R1 Type (Standard)
 2 = R2 Type

Footprint width (1/100mm)
 0400 = 4.00mm

Packing Options

B = Tape & Reel with Cap (available in 3, 4, 5 & 6 contacts)

(MOQ 1,200 pieces - Standard R1 Footprint)

G = Plastic Box (available in 2 contacts)

(MOQ 1,000 pieces - Standard R1 Footprint)

Insulator Materials

L = LCP (Natural)

By	ASE	AJO	AJO
DETAIL	DRAWING RELEASE	SELECTABLE WIDTH REMOVED	PACKING DRAWING ADDED
REV	A	B	C
DATE	18/04/12	16/07/12	18/06/13

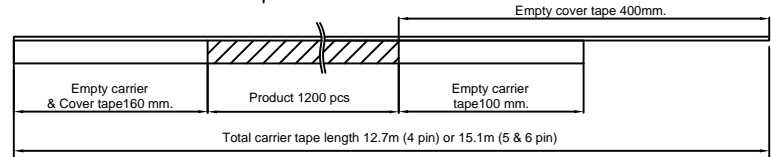
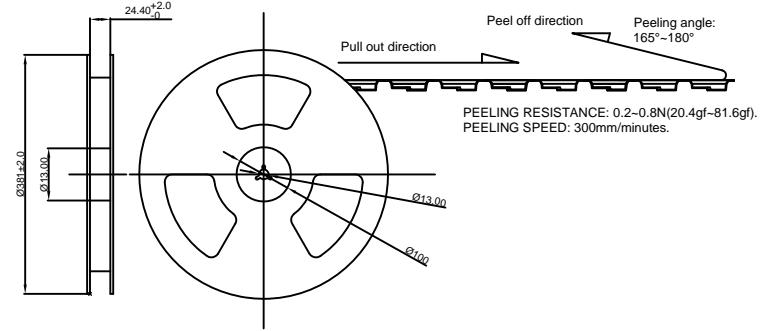
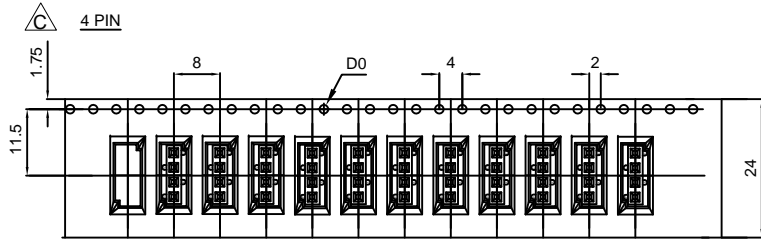


Tolerances (Except as noted)	Part Number:-	Date:-
Dimensions in mm	BG306	18 APR 12
X.X ± 0.30	Description:- 2.54mm PITCH PIN SOCKET, SINGLE ROW, VERTICAL, TOP ENTRY, SURFACE MOUNT, NATURAL LCP	
X.XX ± 0.20		
Third Angle Projection		
THIS DRAWING IS CONFIDENTIAL AND MUST NOT BE COPIED OR DISCLOSED WITHOUT WRITTEN CONSENT		

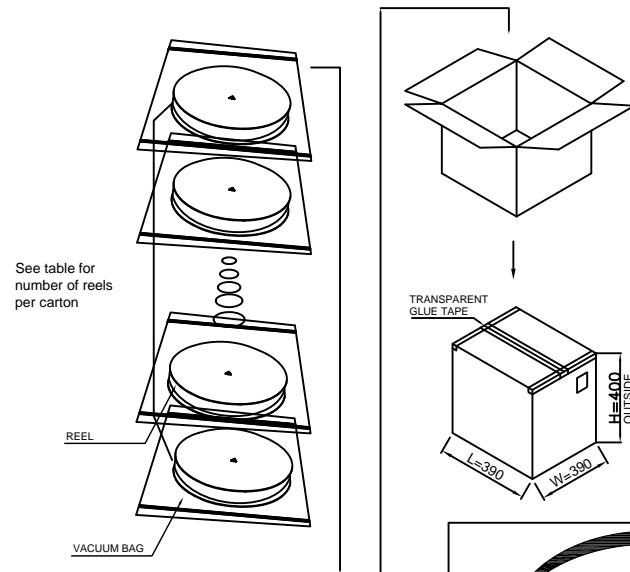
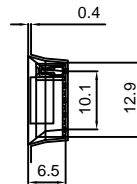
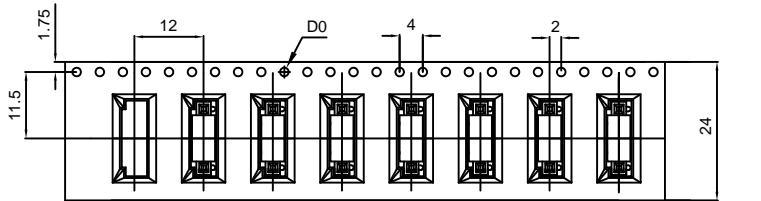
White Lite
GCT
 www.gct.co

Scale NTS	Revision C	Material See Note	Drawn by ASE	E & OE	Sheet No. 1/1
-----------	------------	-------------------	--------------	--------	---------------

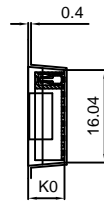
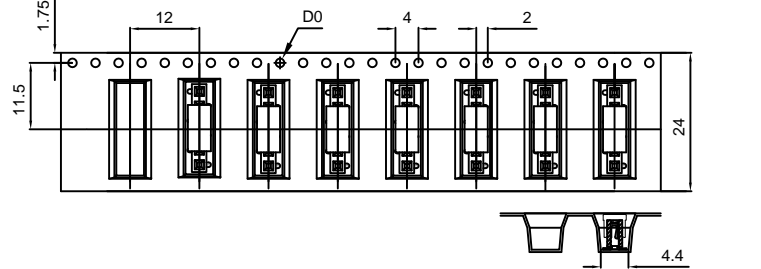
3 PIN - For packaging information, please contact GCT



5 PIN



6 PIN



PINS	UNITS/REEL	REELS PER CARTON	CARTON	TOTAL CARRIER TAPE LENGTH
4	1200 PCS	8	9.600	12.7 m
5	1200 PCS	8	9.600	15.1 m
6	1200 PCS	8	9.600	15.1 m

By	ASE	AJO	AJO
DETAIL	DRAWING RELEASE	SELECTABLE WIDTH REMOVED	PACKING DRAWING ADDED
REV DATE	A 18/04/12	B 16/07/12	C 18/06/13



Tolerances (Except as noted)	
Dimensions in mm	
X. ± 0.30	X.° ± 4.0°
X.X ± 0.20	X.X° ± 3.0°
X.XX ± 0.30	X.XX° ± 2.0°
X.XXX ± 0.20	X.XXX° ± 1.0°

Part Number:-	BG306	Date:-	18 APR 12
Description:-	2.54mm PITCH PIN SOCKET, SINGLE ROW, VERTICAL, TOP ENTRY, SURFACE MOUNT, NATURAL LCP		
THIS DRAWING IS CONFIDENTIAL AND MUST NOT BE COPIED OR DISCLOSED WITHOUT WRITTEN CONSENT			

White Lite
GCT
 www.gct.co

Scale	Revision	Material	Drawn by	Sheet No.
NTS	C	See Note	ASE	E & OE 1/1