

1 Contact

2 Contacts

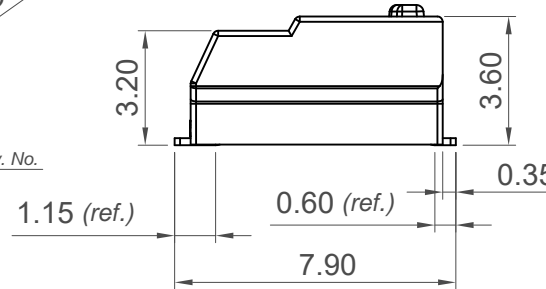
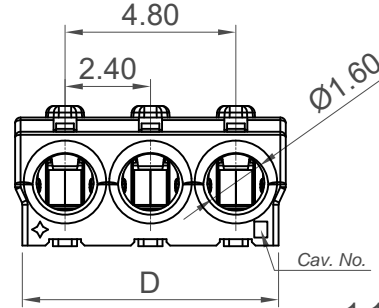
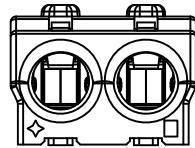
3 Contacts

Pick & Place Area

Recommended PCB Layout

General Tolerance: ±0.05 as viewed from component side

Legend: Solder Area, Component Outline



Specifications 规格

Material 物料

Insulator 绝缘体: LCP, UL 94V-0 (Cream)
Plastic Cover 塑胶外壳: LCP, UL 94V-0 (Cream)
Contact Terminal 接触端子: Copper Alloy T=0.20mm

Plating 电镀

Contact 接触: Tin over Nickel

Electrical 电气

Voltage Rating 电压额定值: 300V max.
Current Rating 电流额定值: 3A (#24AWG), 4A (#22AWG)
Contact Resistance 接触电阻值: 20 mΩ max.
Insulation Resistance 绝缘电阻值: 1000 MΩ min.
Dielectric Withstand Voltage 耐电压: 1500 V AC

Mechanical & Environmental 机械 & 环境

Operating Temperature 工作温度: -25°C to +105°C

Applicable Wire Range 适用线径规格:

Stranded Wire 多股线: #24AWG, #22AWG
Max. Insulation OD 最大线径: Ø1.50mm

Note: Please see Product Specification document for more detailed information.

Ordering Grid

Ordering Grid diagram showing BL300-XX-A and Request Samples and Quotation. Includes No. of Contacts (01-03) and Packing Options (A = Tape & Reel, 1200 per reel).

Table with 5 columns: Number of Contacts, A, B, C, D. Rows for 1, 2, and 3 contacts.

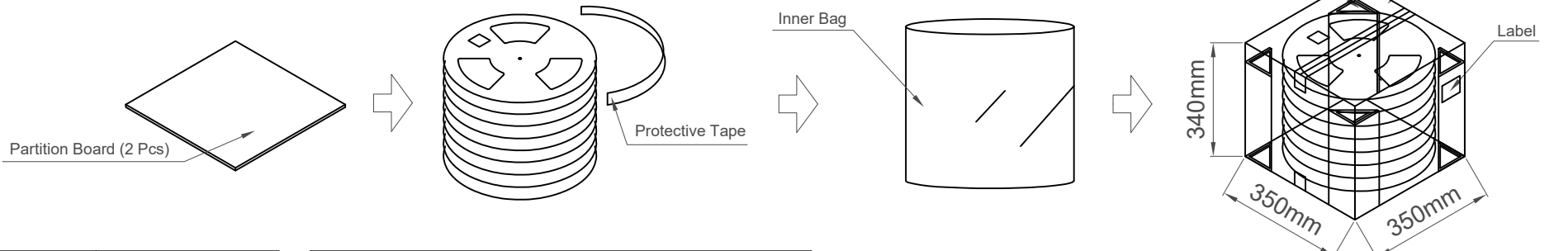
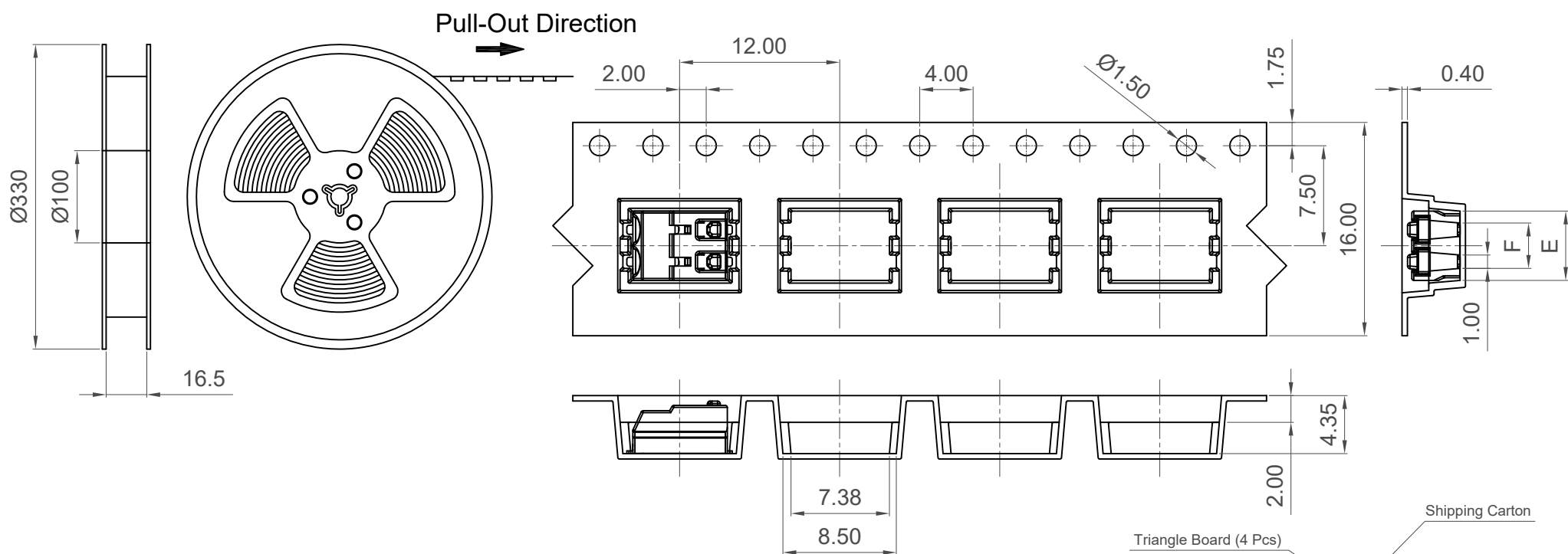
Product information block including Part Number (BL300), Product Description (2.40mm Pitch, Surface Mount Wire Trap Connector), Drawing Date (18th January 2016), By (AJO), Drawing Release, Revision (A), Date (18/01/16), Tolerances, Units (Metric), RoHS COMPLIANT 2011/65/EU, and copyright notice for WhiteLite GCT.

WhiteLite GCT logo and Global Connector Technology www.gct.co website information.

H, G, F, E, D, C, B, A (Vertical grid labels)

1, 2, 3, 4, 5, 6, 7, 8 (Horizontal grid labels)

H  
G  
F  
E  
D  
C  
B  
A



Number of Contacts	Dimension	
	E	F
BL300-01-A	2.80	n/a
BL300-02-A	5.20	3.40
BL300-03-A	7.60	5.80

Packing Quantity			
Part No.	Pcs/Reel	Reel/Carton	Pcs/Carton
BL300	1200	14	16,800

Part Number BL300		Product Description 2.40mm Pitch, Surface Mount Wire Trap Connector	
Drawing Date 18th January 2016			
By AJO	Tolerances (Except as Noted) Length X.X ± 0.35 X.XX ± 0.25	Units: Metric (mm)	Angle ± 3°
Detail Drawing Release		3rd Angle Projection	
Revision Date A 18/01/16			

**RoHS COMPLIANT**  
2011/65/EU  
Deca-BDE

©

This drawing is confidential and copyright of Global Connector Technology, Ltd (GCT). This drawing must not be copied or disclosed without written consent. E & OE

**WhiteLite**  
**GCT**  
Global Connector Technology  
www.gct.co

Not to Scale	Drawn By AJO	Sheet No. 2/2
--------------	-----------------	------------------

1                      2                      3                      4                      5                      6                      7                      8