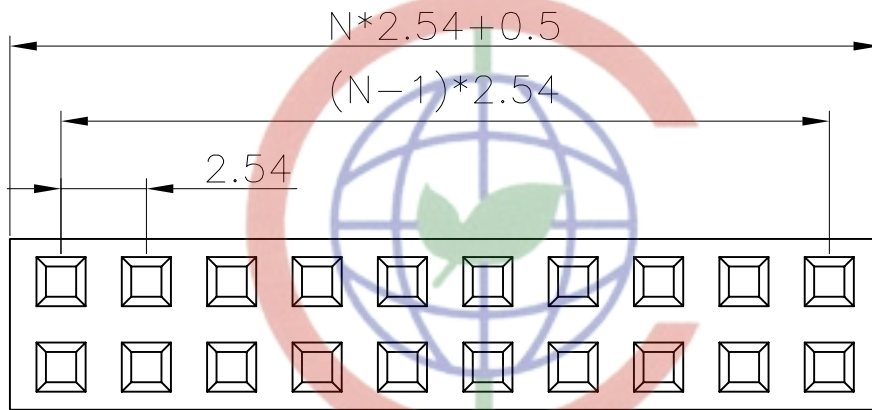


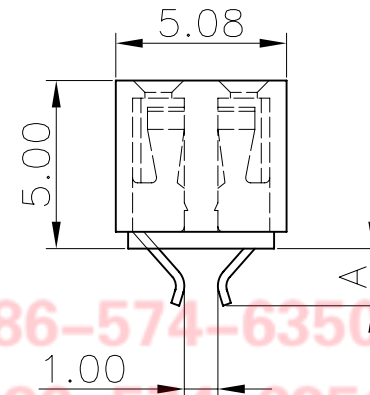
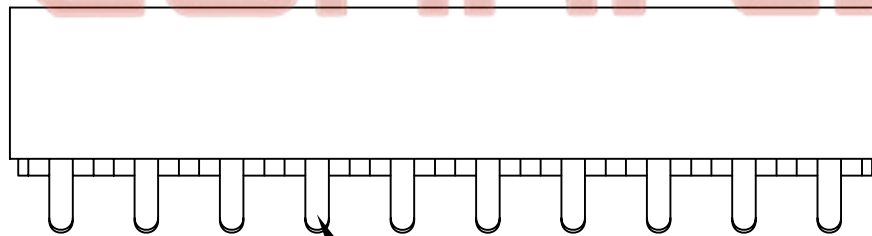
REV.	DESCRIPTION	DRAWN	CHECKED	APPROVED
A	NEW RELEASE	ych 01/24/08'		



NOTES:

- MATERIAL
  - INSULATOR MATERIAL:THERMOPLASTIC(UL 94V-0).
  - CONTACT MATERIAL:COPPER ALLOY.
- SPECIFICATION
  - TEMPERATURE:-40' to +105'C.
  - DIELECTRIC WITHSTANDING VOLTAGE:AC 500V AC.
  - INSULATION RESISTANCE:1000MΩ min.
  - CONTACT RESISTANCE:20mΩ max.
  - CURRENT RATING:3A.
- PART NUMBER: DS1023-14
- PRODUCT NUMBER CODE:  
DS1023-14 - X X X X

- DIM A TYPE
  - 1: 1.70 mm
  - 2: 1.00 mm
- CONTACT PLATING
  - 8: Full gold flash
  - 0: Selective gold flash
- MOUNTING TYPE
  - B: Clip Board type
- No.of Contacts
  - 1\*1 - 1\*40



Tel:86-574-63508787

Fax:86-574-63510817

E-mail:sale@zhenqin.com.cn

Http://www.connfly.com

GENERAL TOLERANCE		ANGLE TOLERANCE		PROJECTION		TITLE	FEMALE HEADER PITCH 2.54mm
X.	±0.60	X.	±5°	UNITS	mm		STRADDLE TYPE
.X	±0.38	.X	±3°	SHEET SIZE	A4	SERIES	DS1023-14 SERIES
.XX	±0.25	.XX	±2°				
DRAWING TYPE	CUSTOMER						
SCALE	1:1	SHEET	1 OF 1				
DRAWING NO.	C-DS1023-14-XXXX						

晨翔电子有限公司  
CONNFLY CONNFLY ELECTRONIC CO. LTD

P.C:315333