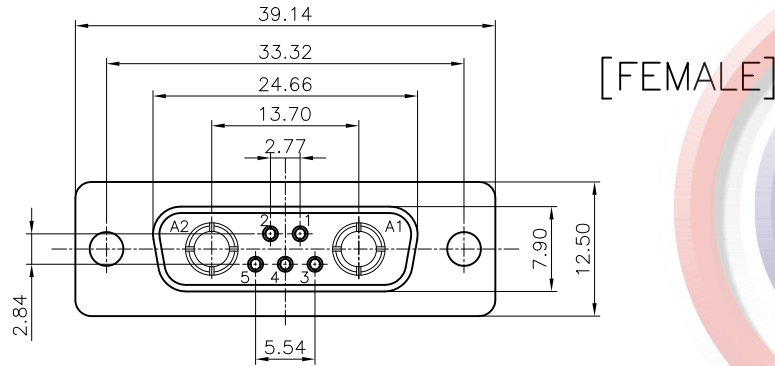
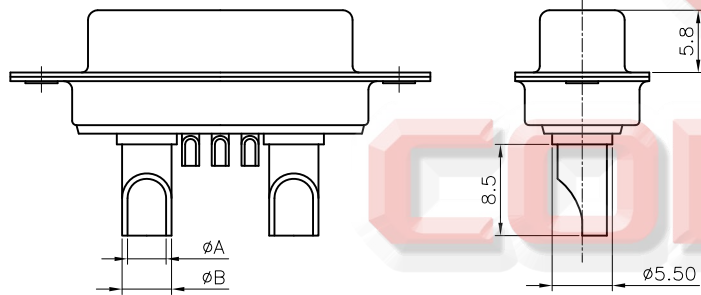


REV.	DESCRIPTION	DRAWN	CHECKED	APPROVED
A	NEW RELEASE	LJC 01/17/09'	~	



[FEMALE]



NOTES:

- ELECTRICAL CHARACTERISTICS:
 - CONTACT RESISTANCE: 20mΩ Max. INITIAL.
 - DIELECTRIC WITHSTANDING VOLTAGE: 500V AC(rms)FOR 1 MINUTE.
 - INSULATION RESISTANCE: 1000MΩ Min.
 - CURRENT RATING: 5A/10~40A(POWER PIN)
 - VOLTAGE RATING: 300V
- ENVIRONMENT CHARACTERISTICS:
 - TEMPERATURE RANGE: -40° C ~ +105° C.
- MECHANICAL CHARACTERISTICS:
 - DURABILITY: 500 CYCLES.
 - CONTACT RETENTION FORCE: 1Kgf MINIMUM.
- MATERIALS:
 - SHELL: SPCC.
 - CONTACT: COPPER ALLOY.
 - INSULATOR: THERMOPLASTIC UL 94V-0, GLASS FIBER FILLED.
- PART NUMBER CODE:

DS1033-01- X X X X X

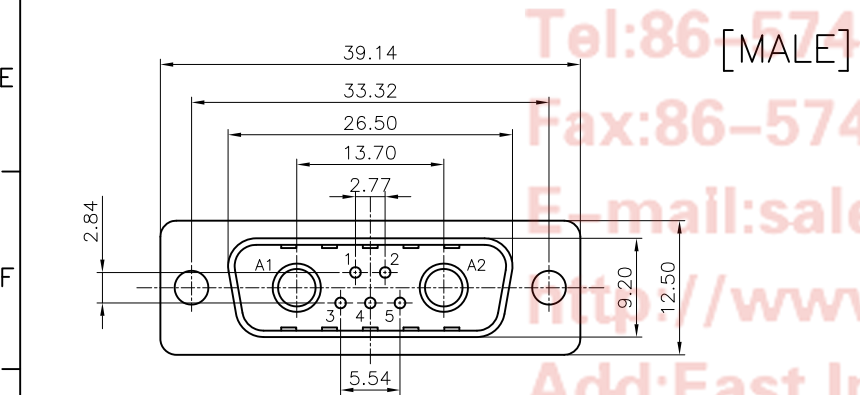
CURRENT RATING
 1: 10A
 2: 20A
 3: 30A
 4: 40A

CONTACT PLATING
 8: FULL GOLD FLASH
 C: FULL 3u: GOLD

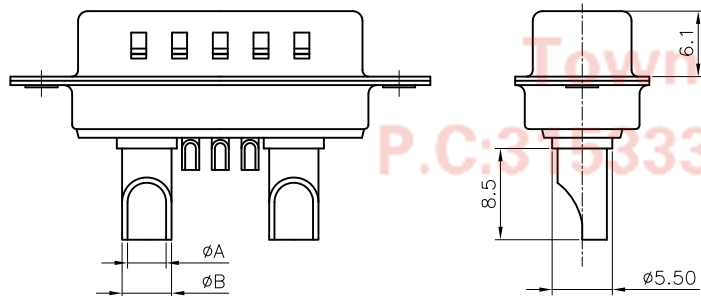
SHELL PLATING
 N: FORNT SHELL NICKEL, BACK SHELL TIN

HOUSING COLOR
 B: BLACK
 W: WHITE
 L: BLUE

CONNECTOR TYPE
 M: MALE
 F: FEMALE



[MALE]



TYPE	CURRENT RATING	ϕA	ϕB
1	10A	$\phi 1.7$	$\phi 2.5$
2	20A	$\phi 2.7$	$\phi 3.6$
3	30A	$\phi 3.6$	$\phi 4.5$
4	40A	$\phi 4.6$	$\phi 5.5$

Tel:86-574-63508787

Fax:86-574-63510817

E-mail:sale@connfly.com

http://www.connfly.com

Add:East Industry Zone KuangYan


Town Cixi Ningbo China

P.C:315333

GENERAL TOLERANCE	ANGLE TOLERANCE
X. ±0.60	X. ±5°
.X ±0.38	.X ±3°
.XX ±0.25	.XX ±2°

PROJECTION	TITLE	MACHINE PIN D-SUB 5+2
UNITS	mm	SOLDER TYPE
SHEET SIZE	A4	SERIES DS1033-01 SERIES

DRAWING TYPE	CUSTOMER
SCALE	1:1 SHEET 1 OF 1
DRAWING NO.	C-DS1033-01-XXXX-A


晨翔电子有限公司
CONNFLY CONNFLY ELECTRONIC CO. LTD