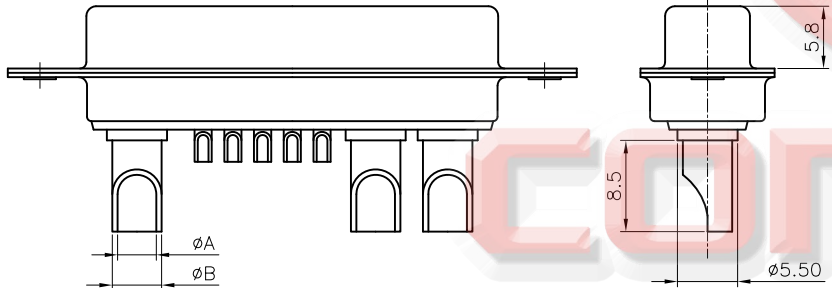
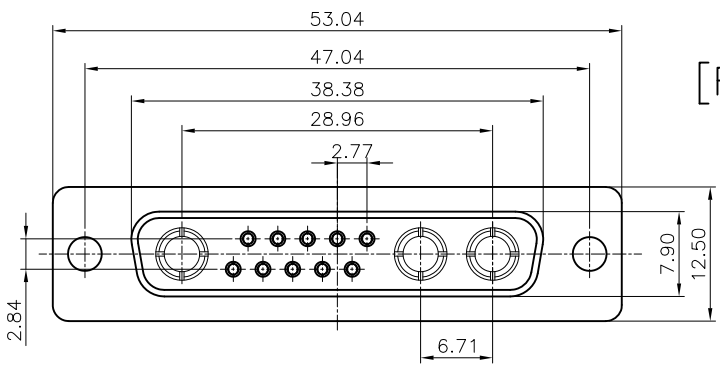


REV.	DESCRIPTION	DRAWN	CHECKED	APPROVED
A	NEW RELEASE	LJC 01/17/09'	~	

[FEMALE]



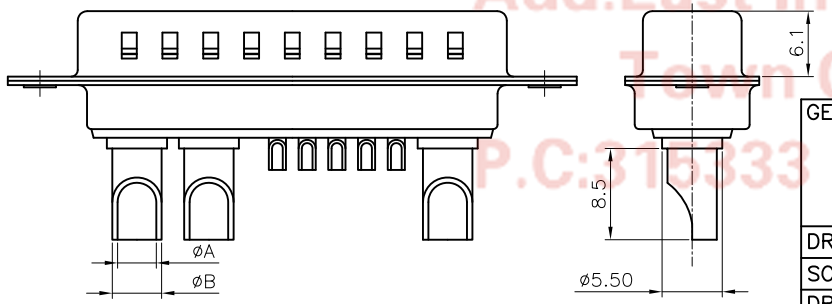
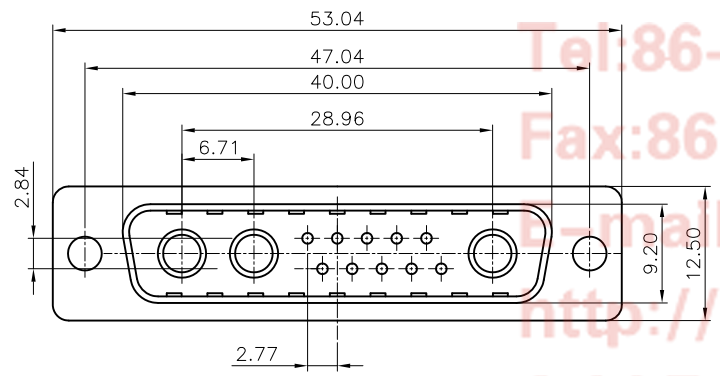
NOTES:

- ELECTRICAL CHARACTERISTICS:
  - CONTACT RESISTANCE: 20mΩ Max. INITIAL.
  - DIELECTRIC WITHSTANDING VOLTAGE: 500V AC(rms)FOR 1 MINUTE.
  - INSULATION RESISTANCE: 1000MΩ Min.
  - CURRENT RATING: 5A/10~40A(POWER PIN).
  - VOLTAGE RATING: 300V
- ENVIRONMENT CHARACTERISTICS:
  - TEMPERATURE RANGE: -40° C ~ +105° C.
- MECHANICAL CHARACTERISTICS:
  - DURABILITY: 500 CYCLES.
  - CONTACT RETENTION FORCE: 1Kgf MINIMUM.
- MATERIALS:
  - SHELL: SPCC.
  - CONTACT: COPPER ALLOY.
  - INSULATOR: THERMOPLASTIC UL 94V-0, GLASS FIBER FILLED.
- PART NUMBER CODE:

DS1033-03- X X X X X

- CURRENT RATING
  - 1: 10A
  - 2: 20A
  - 3: 30A
  - 4: 40A
- CONTACT PLATING
  - 8: FULL GOLD FLASH
  - C: FULL 3u: GOLD
- SHELL PLATING
  - N: FORNT SHELL NICKEL, BACK SHELL TIN
- HOUSING COLOR
  - B: BLACK
  - W: WHITE
  - L: BLUE
- CONNECTOR TYPE
  - M: MALE
  - F: FEMALE

[MALE]



TYPE	CURRENT RATING	φA	φB
1	10A	φ1.7	φ2.5
2	20A	φ2.7	φ3.6
3	30A	φ3.6	φ4.5
4	40A	φ4.6	φ5.5

Tel:86-574-63508787

Fax:86-574-63510817

E-mail:sale@connfly.com

http://www.connfly.com

Add:East Industry Zone KuangYan

Town Cixi Ningbo China

P.C:315333

GENERAL TOLERANCE		ANGLE TOLERANCE		PROJECTION		TITLE	MACHINE PIN D-SUB 10+3
X.	±0.60	X.	±5°	UNITS	mm	SOLDER TYPE	
.X	±0.38	.X	±3°	SHEET SIZE	A4	SERIES	DS1033-03 SERIES
.XX	±0.25	.XX	±2°	晨翔电子有限公司 <b>CONNFLY CONNFLY ELECTRONIC CO. LTD</b>			
DRAWING TYPE		CUSTOMER					
SCALE	1:1	SHEET	1 OF 1				
DRAWING NO.		C-DS1033-03-XXXX-A					