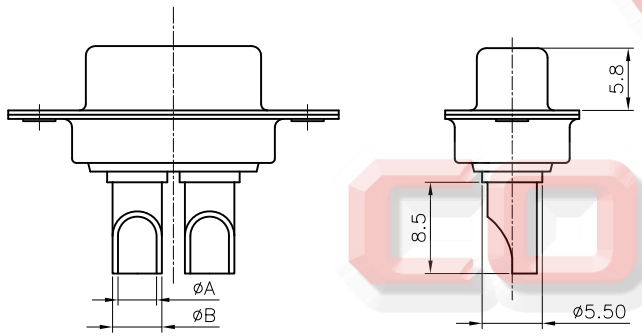
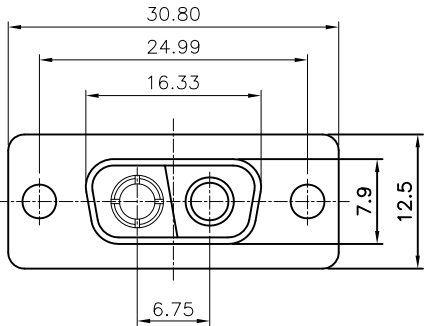


REV.	DESCRIPTION	DRAWN	CHECKED	APPROVED
A	NEW RELEASE	YCH 01/10/08'	~	

[FEMALE]



NOTES:

- ELECTRICAL CHARACTERISTICS:
 - CONTACT RESISTANCE: 20mΩ Max. INITIAL.
 - DIELECTRIC WITHSTANDING VOLTAGE: 500V AC(rms)FOR 1 MINUTE.
 - INSULATION RESISTANCE: 1000MΩ Min.
 - CURRENT RATING: 10~40A.
 - VOLTAGE RATING: 300V.
- ENVIRONMENT CHARACTERISTICS:
 - TEMPERATURE RANGE: -40° C ~ +105° C.
- MECHANICAL CHARACTERISTICS:
 - DURABILITY: 500 CYCLES.
 - CONTACT RETENTION FORCE: 1Kgf MINIMUM.
- MATERIALS:
 - SHELL: SPCC.
 - CONTACT: COPPER ALLOY.
 - INSULATOR: THERMOPLASTIC UL 94V-0, GLASS FIBER FILLED.
- PART NUMBER CODE: DS1033-04- X X X X X

CURRENT RATING
 1: 10A
 2: 20A
 3: 30A
 4: 40A

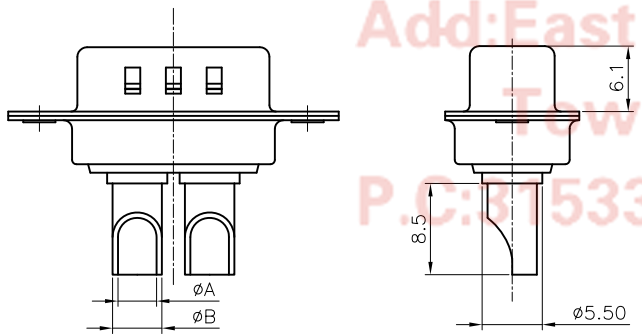
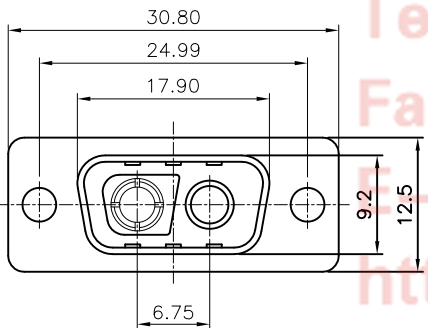
CONTACT PLATING
 8: FULL GOLD FLASH
 C: FULL 3u: GOLD

SHELL PLATING
 N: FORNT SHELL NICKEL, BACK SHELL TIN

HOUSING COLOR
 B: BLACK
 W: WHITE
 L: BLUE

CONNECTOR TYPE
 M: MALE
 F: FEMALE

[MALE]



TYPE	CURRENT RATING	ϕA	ϕB
1	10A	$\phi 1.7$	$\phi 2.5$
2	20A	$\phi 2.7$	$\phi 3.6$
3	30A	$\phi 3.6$	$\phi 4.5$
4	40A	$\phi 4.6$	$\phi 5.5$

Tel:86-574-63508787

Fax:86-574-6351081

E-mail:sale@connfly.com

http://www.connfly.com

Add:East Industry Zone KuangYan

Town Cixi Ningbo China

P.C:315333

GENERAL TOLERANCE		ANGLE TOLERANCE	
X.	±0.60	X.	±5°
.X	±0.38	.X	±3°
.XX	±0.25	.XX	±2°

PROJECTION	TITLE	MACHINE PIN D-SUB 1+1	
UNITS	mm	SOLDER TYPE	
SHEET SIZE	A4	SERIES	DS1033-04 SERIES

DRAWING TYPE	CUSTOMER		
SCALE	1:1	SHEET	1 OF 1
DRAWING NO.	C-DS1033-04-XXXX-A		



晨翔电子有限公司

CONNFLY CONNFLY ELECTRONIC CO. LTD