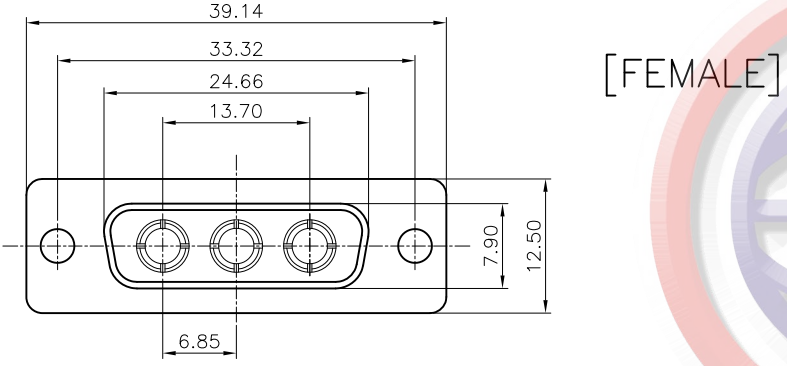


REV.	DESCRIPTION	DRAWN	CHECKED	APPROVED
A	NEW RELEASE	LJC 01/17/09'	~	

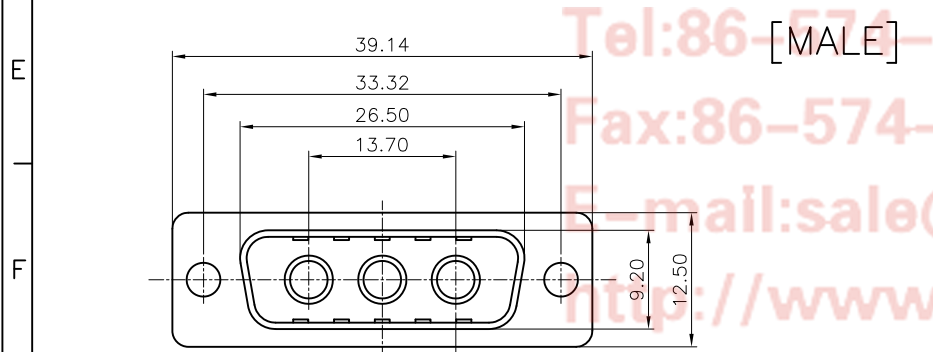
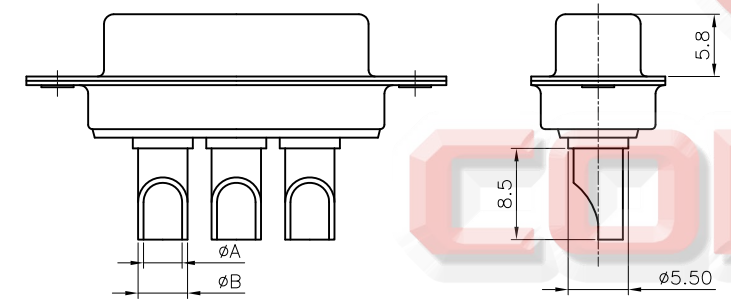


[FEMALE]

NOTES:

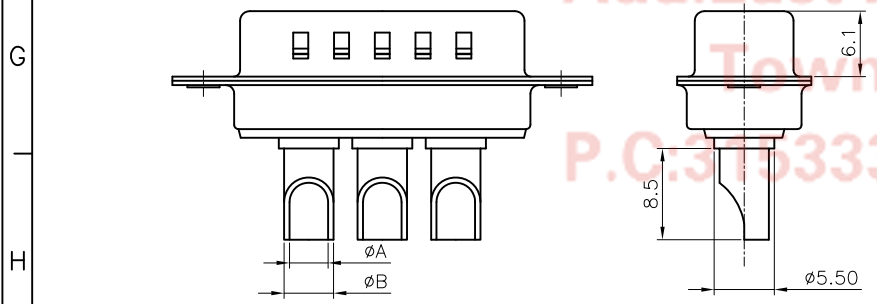
- ELECTRICAL CHARACTERISTICS:
 - CONTACT RESISTANCE: 20mΩ Max. INITIAL.
 - DIELECTRIC WITHSTANDING VOLTAGE: 500V AC(rms)FOR 1 MINUTE.
 - INSULATION RESISTANCE: 1000MΩ Min.
 - CURRENT RATING: 10~40A.
 - VOLTAGE RATING: 300V
- ENVIRONMENT CHARACTERISTICS:
 - TEMPERATURE RANGE: -40° C ~ +105° C.
- MECHANICAL CHARACTERISTICS:
 - DURABILITY: 500 CYCLES.
 - CONTACT RETENTION FORCE: 1Kgf MINIMUM.
- MATERIALS:
 - SHELL: SPCC.
 - CONTACT: COPPER ALLOY.
 - INSULATOR: THERMOPLASTIC UL 94V-0, GLASS FIBER FILLED.
- PART NUMBER CODE:

- DS1033-07- X X X X X
- CURRENT RATING
 - 1: 10A
 - 2: 20A
 - 3: 30A
 - 4: 40A
 - CONTACT PLATING
 - 8: FULL GOLD FLASH
 - C: FULL 3u: GOLD
 - SHELL PLATING
 - N: FORNT SHELL NICKEL, BACK SHELL TIN
 - HOUSING COLOR
 - B: BLACK
 - W: WHITE
 - L: BLUE
 - CONNECTOR TYPE
 - M: MALE
 - F: FEMALE



[MALE]

TYPE	CURRENT RATING	φA	φB
1	10A	φ1.7	φ2.5
2	20A	φ2.7	φ3.6
3	30A	φ3.6	φ4.5
4	40A	φ4.6	φ5.5



GENERAL TOLERANCE		ANGLE TOLERANCE		PROJECTION		TITLE	MACHINE PIN D-SUB 3P SOLDER TYPE
X.	±0.60	X.	±5°	UNITS	mm	SHEET	DS1033-07 SERIES
.X	±0.38	.X	±3°	SHEET SIZE	A4		
.XX	±0.25	.XX	±2°				
DRAWING TYPE		CUSTOMER		晨翔电子有限公司 CONNFLY ELECTRONIC CO. LTD			
SCALE	1:1	SHEET	1 OF 1				
DRAWING NO.	C-DS1033-07-XXXX-A						

Tel:86-574-63508787
 Fax:86-574-63510817
 E-mail:sale@connfly.com
 http://www.connfly.com
 Add:East Industry Zone KuangYan
 Town Cixi Ningbo China
 P.O.315333