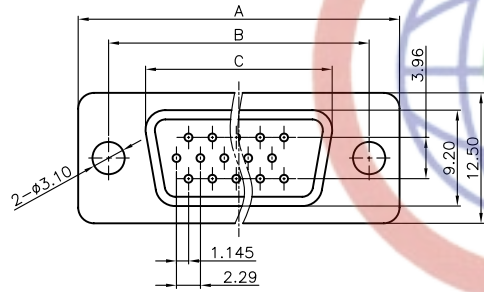
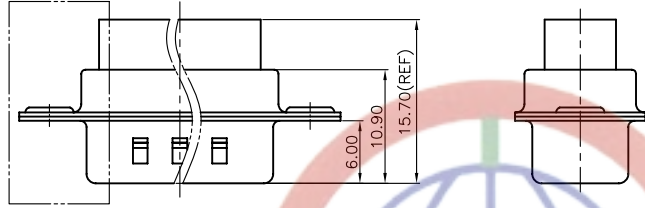
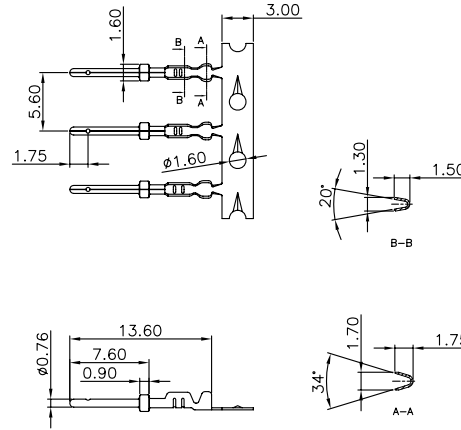


Male



Male terminal



NOTES:

- ELECTRICAL CHARACTERISTICS:
  - CONTACT RESISTANCE: 20mΩ Max.INITIAL.
  - DIELECTRIC WITHSTANDING VOLTAGE:500V AC(rms) FOR 1 MINUTE.
  - INSULATION RESISTANCE:1000MΩ Min.
- MECHANICAL CHARACTERISTICS:
  - DURABILITY: 300 CYCLES.
- ENVIRONMENT CHARACTERISTICS:
  - OPERATING TEMPERATURE:-40°C~+105°C.
- PRODUCT NUMBER CODE:

DS1035-02 - XX X X X X X X

SCREW DIM. A  
S: Standard(W/O nut)  
1: 3.00 2: 4.00  
3: 4.50 4: 5.00  
5: 5.50 6: 5.80

SCREW TYPE  
S: Standard(W/O nut)  
1: CC TYPE  
2: CS TYPE

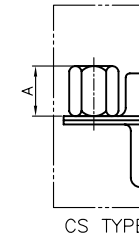
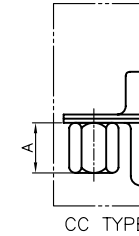
SHELL PLATING  
T:FORNT&BACK SHELL TIN  
N:FORNT SHELL NICKEL,  
BACK SHELL TIN

CONTACT PLATING  
0:SELECTIVE GOLD FLASH  
8:FULL GOLD FLASH

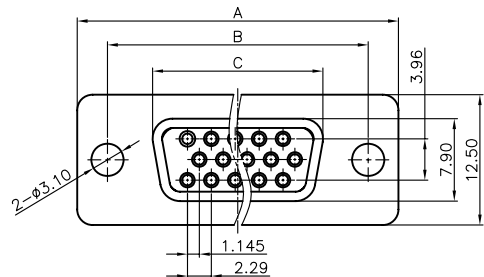
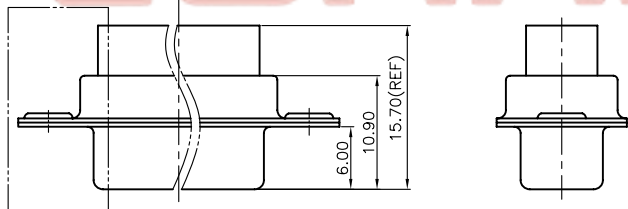
HOUSING COLOR  
J:BLUE B:BLACK

CONNECTOR TYPE  
M:MALE F:FEMALE

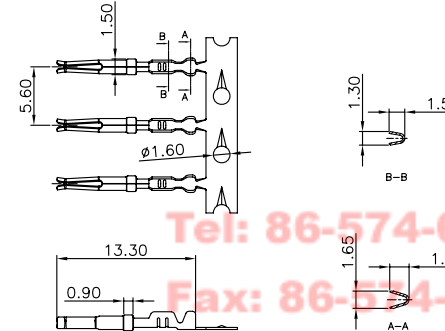
No.OF CONTACTS  
15:15pos 26:26pos  
44:44pos 62:62pos



Female



Female terminal



Tel: 86-574-63508787

Fax: 86-574-63510817

E-mail: sale@zhengjin.com.cn

Http://www.zhengjin.com.cn

Address: West Xilin Town Cixi Ningbo China

Position	A±0.2		B±0.2		C±0.2	
	Male	Female	Male	Female	Male	Female
15P	30.80	24.99	17.90	16.33		
26P	39.14	33.32	26.50	24.66		
44P	53.04	47.04	40.00	38.38		
62P	69.32	63.50	56.50	54.84		

GENERAL TOLERANCE	ANGLE TOLERANCE	PROJECTION	TITLE	H.D-SUB CRIMP TYPE
X. ±0.60	X. ±3°	UNITS mm		
.X ±0.38	.X ±2°	SHEET SIZE A4	SERIES DS1035-02 SERIES	
.XX ±0.25	.XX ±1°			
DRAWING TYPE	CUSTOMER	<b>晨翔电子有限公司</b> <b>CONNFLY CONNFLY ELECTRONIC CO. LTD</b>		
SCALE	1:1 SHEET 1 OF 1			
DRAWING NO.	C-DS1035-02-XXXXXXX			