

REV.	DESCRIPTION	DRAWN	CHECKED	APPROVED
A	NEW RELEASE	LL 07/12/06	~	LJC 07/12/06
B	整理图面	YCH 09/07/07	~	

NOTES:

1. MATERIAL

- . Insulator: Thermoplastic(UL 94V-0)
- . Contact: Copper Alloy
- . Sheel: Steel

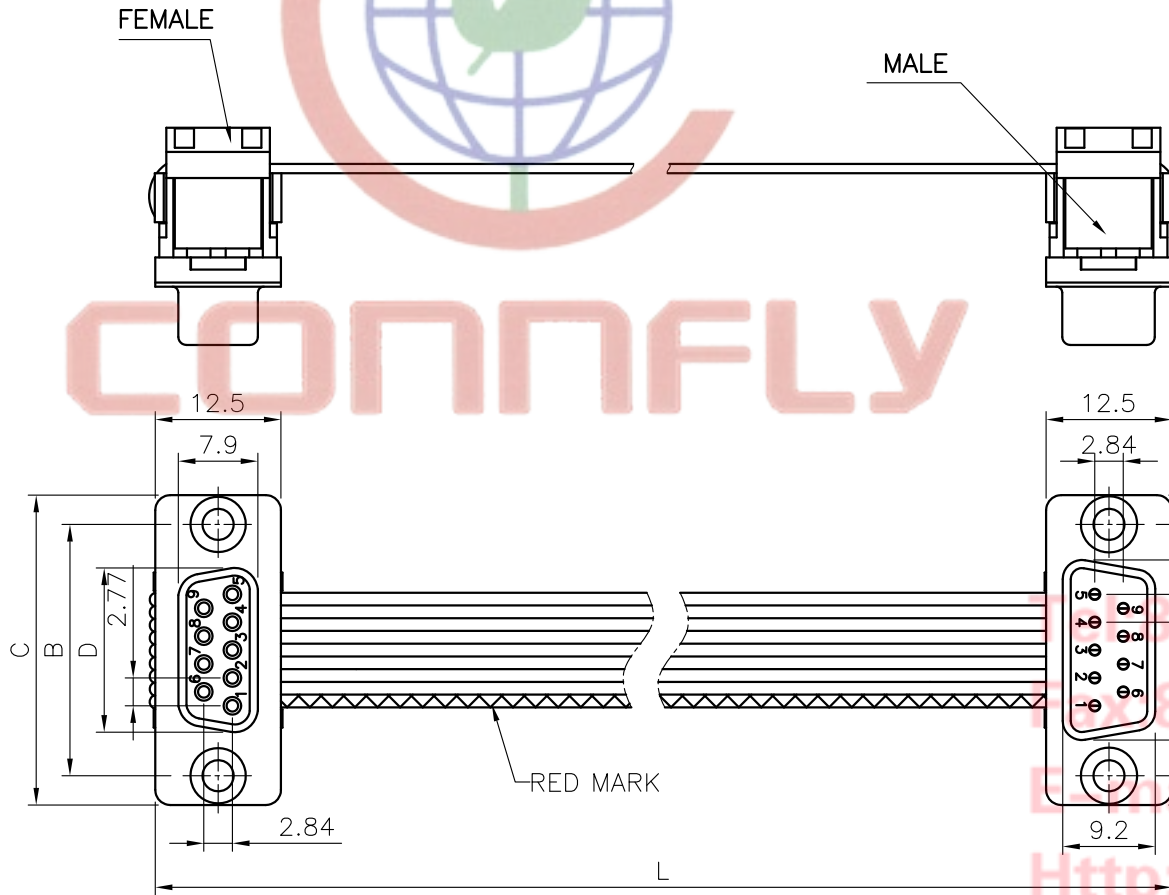
2. SPECIFICATIONS

- . Storage Temperature: -20~+80°C
- . Insulation Resistance: 1,000MΩ min
- . Dielectric Withstanding Voltage: AC500V Per Minute

3. PRODUCT NUMBER CODE:

DS1054 - X X X X X X X X

- Cable Style  
1: TYPE 1
- Length Dim L  
A: 150mm  
B: 500mm  
C: 100mm  
D: 400mm  
E: 1500mm
- Wire Diameter  
1:φ0.100 folwer mark  
2:φ0.127 red mark  
3:φ0.100 red mark  
4:φ0.127 folwer mark
- Flat Cable Color  
A:Gray
- Contact plating  
0: Selective gold flash
- Shell plating  
N:Nickel
- Housing color  
B:Black  
L:Blue
- Connector positions  
09: 9pin 25: 25pin  
15: 15pin 37: 37pin



Dimension

Position	A	B	C	D
09	17.90	24.99	30.80	16.33
15	26.50	33.32	39.14	24.66
25	40.00	47.04	53.04	38.38
37	56.50	63.50	69.32	54.84

GENERAL TOLERANCE		ANGLE TOLERANCE	
X.	±0.60	X.	±5°
.X	±0.38	.X	±3°
.XX	±0.25	.XX	±2°

DRAWING TYPE	CUSTOMER		
SCALE	1:1	SHEET	1 OF 1
DRAWING NO.	C-DS1054-XXXXXXX1		

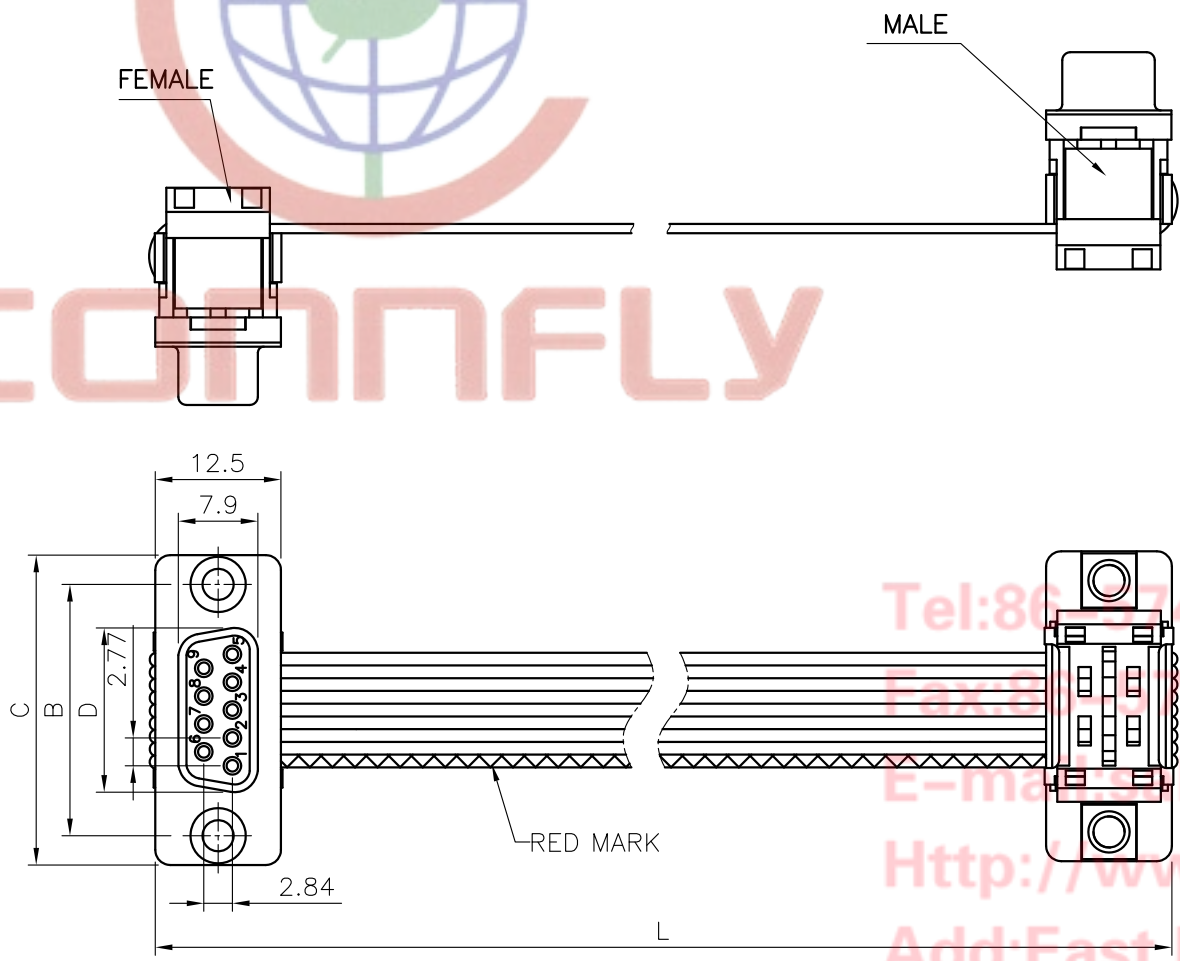
PROJECTION	TITLE
UNITS	mm
SHEET SIZE	A4
SERIES	DS1054


**晨翔电子有限公司**  
**CONNFLY CONNFLY ELECTRONIC CO. LTD**

REV.	DESCRIPTION	DRAWN	CHECKED	APPROVED
A	NEW RELEASE	LL 07/12/06	~	LJC 07/12/06
B	整理图面	YCH 09/07/07	~	

- NOTES:
- MATERIAL
    - Insulator: Thermoplastic(UL 94V-0)
    - Contact: Copper Alloy
    - Sheel: Steel
  - SPECIFICATIONS
    - Storage Temperature: -20~+80°C
    - Insulation Resistance: 1,000MΩ min
    - Dielectric Withstanding Voltage: AC500V Per Minute

3. PRODUCT NUMBER CODE:
- DS1054 - X X X X X X X X
- Cable Style
    - 2: TYPE 2
  - Length Dim L
    - A: 150mm
    - B: 500mm
    - C: 100mm
    - D: 400mm
    - E: 1500mm
  - Wire Diameter
    - 1:φ0.100 folwer mark
    - 2:φ0.127 red mark
    - 3:φ0.100 red mark
    - 4:φ0.127 folwer mark
  - Flat Cable Color
    - A:Gray
  - Contact plating
    - 0: Selective gold flash
  - Shell plating
    - N:Nickel
  - Housing color
    - B:Black
    - L:Blue
  - Connector positions
    - 09: 9pin 25: 25pin
    - 15: 15pin 37: 37pin




Dimension

Position	A	B	C	D
09	17.90	24.99	30.80	16.33
15	26.50	33.32	39.14	24.66
25	40.00	47.04	53.04	38.38
37	56.50	63.50	69.32	54.84

GENERAL TOLERANCE		ANGLE TOLERANCE	
X.	±0.60	X.	±5°
.X	±0.38	.X	±3°
.XX	±0.25	.XX	±2°

DRAWING TYPE	CUSTOMER		
SCALE	1:1	SHEET	1 OF 1
DRAWING NO.	C-DS1054-XXXXXXX2		

PROJECTION	TITLE
UNITS mm	IDC D-SUB WITH FLAT CABLE
SHEET SIZE A4	SERIES DS1054

 晨翔电子有限公司  
**CONNFLY CONNFLY ELECTRONIC CO. LTD**

Tel:86-754-63508787  
 Fax:86-754-63510317  
 E-mail:sale@connfly.com.cn  
 Http://www.connfly.com  
 Add:East Industry Zone Kuang Fui

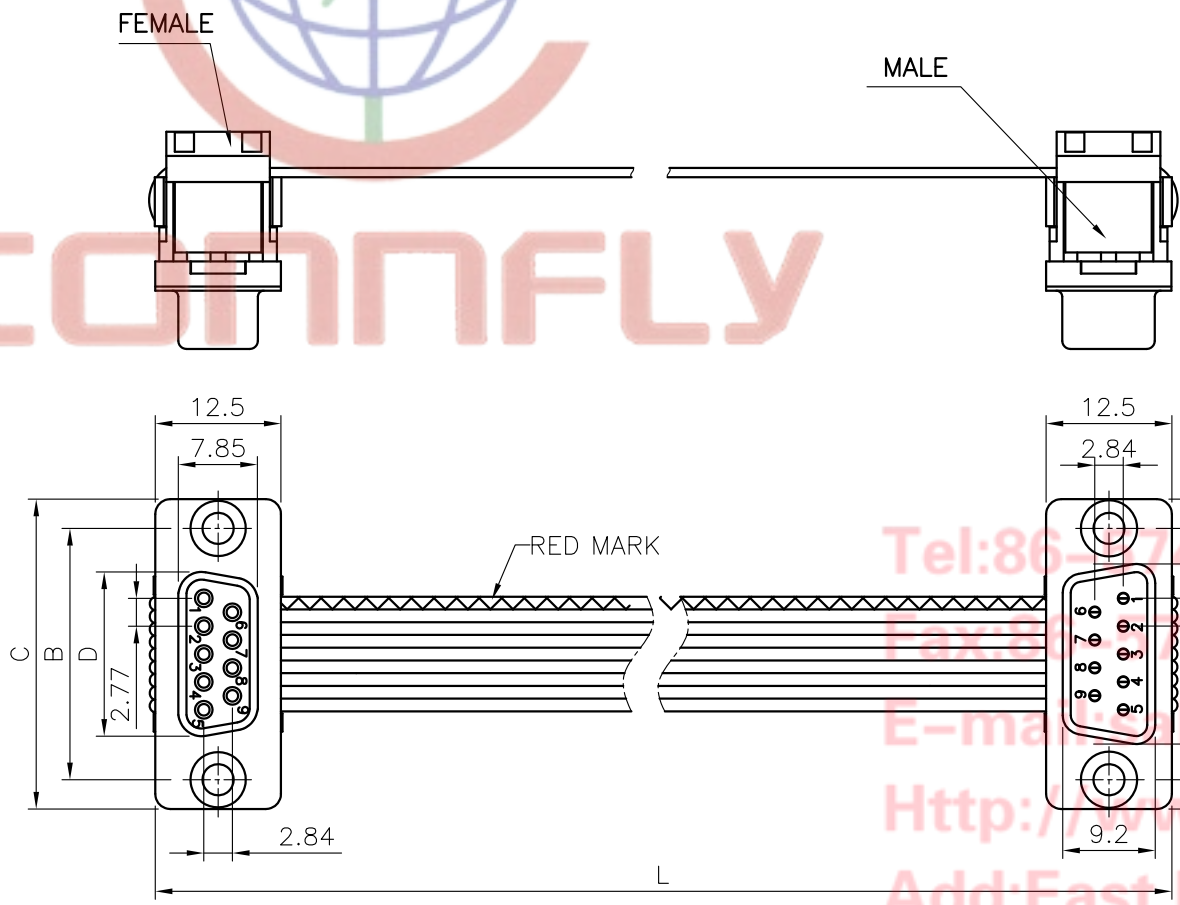
REV.	DESCRIPTION	DRAWN	CHECKED	APPROVED
A	NEW RELEASE	LL 07/12/06	~	LJC 07/12/06
B	整理图面	YCH 09/07/07	~	

NOTES:

- MATERIAL
  - Insulator: Thermoplastic(UL 94V-0)
  - Contact: Copper Alloy
  - Sheel: Steel
- SPECIFICATIONS
  - Storage Temperature: -20~+80°C
  - Insulation Resistance: 1,000MΩ min
  - Dielectric Withstanding Voltage: AC500V Per Minute

3. PRODUCT NUMBER CODE:  
 DS1054 - X X X X X X X X

- Cable Style  
3: TYPE 3
- Length Dim L  
A: 150mm  
B: 500mm  
C: 100mm  
D: 400mm  
E: 1500mm
- Wire Diameter  
1:φ0.100 folwer mark  
2:φ0.127 red mark  
3:φ0.100 red mark  
4:φ0.127 folwer mark
- Flat Cable Color  
A:Gray
- Contact plating  
0: Selective gold flash
- Shell plating  
N:Nickel
- Housing color  
B:Black  
L:Blue
- Connector positions  
09: 9pin 25: 25pin  
15: 15pin 37: 37pin



Dimension

Position	A	B	C	D
09	17.90	24.99	30.80	16.33
15	26.50	33.32	39.14	24.66
25	40.00	47.04	53.04	38.38
37	56.50	63.50	69.32	54.84

GENERAL TOLERANCE		ANGLE TOLERANCE	
X.	±0.60	X.	±5°
.X	±0.38	.X	±3°
.XX	±0.25	.XX	±2°

DRAWING TYPE	CUSTOMER		
SCALE	1:1	SHEET	1 OF 1
DRAWING NO.	C-DS1054-XXXXXXX3		

PROJECTION	TITLE
UNITS	mm
SHEET SIZE	A4
SERIES	DS1054


**晨翔电子有限公司**  
**CONNFLY CONNFLY ELECTRONIC CO. LTD**

Tel:86-754-63508787  
 Fax:86-754-63510817  
 E-mail:zhen@zhen.com.cn  
 Http://www.connfly.com  
 Add:East Industry Zone Kuang Fal...