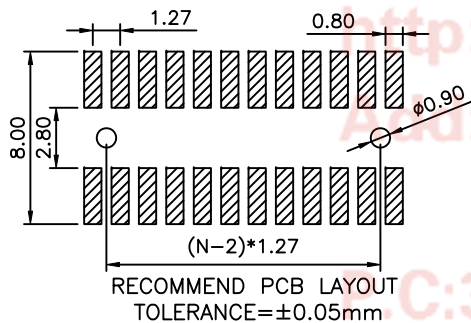
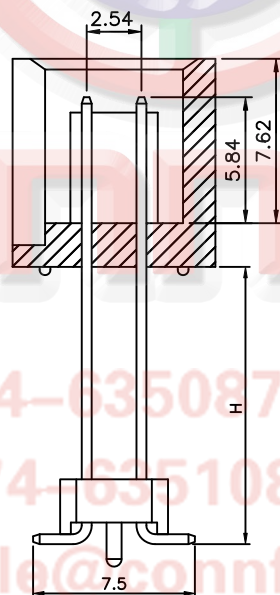
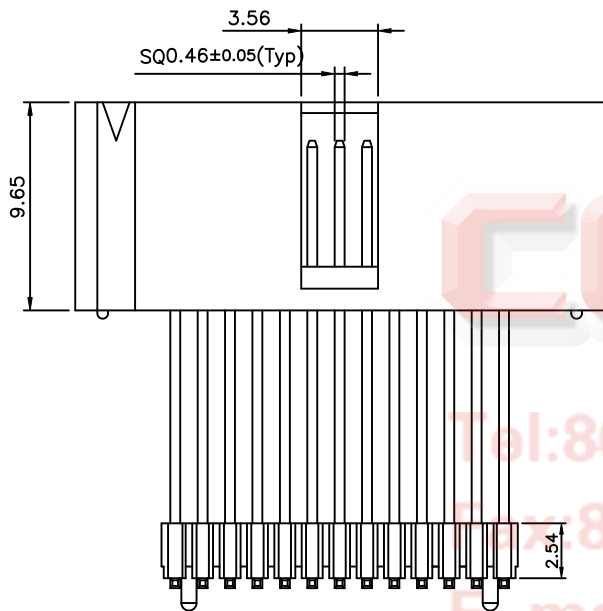
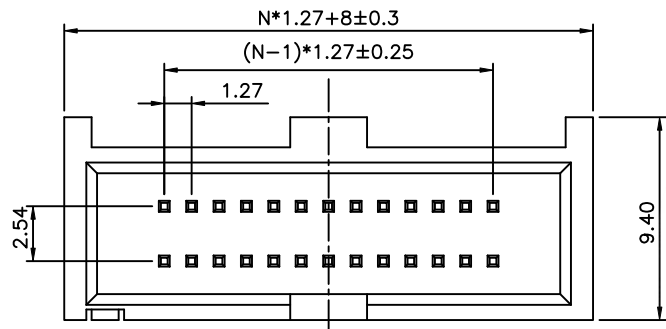


REV.	DESCRIPTION	DRAWN	CHECKED	APPROVED
A	NEW RELEASE	JLZ 08/31/17'		

NOTES:

- MATERIAL
 - INSULATOR:THERMOPLASTIC(UL 94V-0).
 - CONTACT MATERIAL:COPPER ALLOY.
- SPECIFICATION
 - CURRENT RATING:1.0 Amp.
 - INSULATION RESISTANCE:1000MΩ Min.
 - DIELECTRIC WITHSTANDING:300VAC.
 - CONTACT RESISTANCE:20mΩ Max.
 - OPERATING TEMPERATURE:-40°C TO+105°C.
- PRODUCT NUMBER CODE:
DS1064-08 - X X X X X X - 3A

- PLATING LEVEL
3A: 3A GRADE
- PICK UP SUPPORT
S: W/ PICK UP
X: W/O PICK UP
- DIM H TYPE
H15.0
- HOUSING COLOR
B:BLACK
- CONTACT PLATING
8: FULL GOLD
- MOUNTING TYPE
S: SMT TYPE
- No.OF CONTACTS
06~40



GENERAL TOLERANCE		ANGLE TOLERANCE	
X.	±0.60	X.	±5°
.X	±0.38	.X	±3°
.XX	±0.25	.XX	±2°

DRAWING TYPE	CUSTOMER
SCALE	1:1 SHEET 1 OF 1
DRAWING NO.	C-DS1064-08-XXXXXX-X-A

PROJECTION	TITLE
UNITS mm	1.27*2.54mm Box Header Stack SMT Type H=9.65mm
SHEET SIZE A4	SERIES DS1064-08 SERIES

 晨翔电子有限公司
CONNFLY® CONNFLY ELECTRONIC CO., LTD

Tel:86-574-63508787
Fax:86-574-63510817
E-mail:sale@connfly.com
<http://www.connfly.com>
Add:East Industry Zone KuangYan
Town Civi Ningbo
C:315332