

REV.	DESCRIPTION	DRAWN	CHECKED	APPROVED
A	NEW RELEASE	LJC 08/17/07'	~	

NOTES:

1. MATERIALS:

- . Housing: Thermoplastic(UL 94 V-0).
- . Hood: ABS.
- . Washer: ABS.
- . Shell: Steel.
- . Contact: Copper alloy.
- . Screw: Steel.

2. SPECIFICATION:

- . Current Rating: 3A
- . Dielectric withstanding voltage: 500V For 1 minute
- . Insulator Resistance: 1000MΩ min
- . Temperature Range: -40°C ~ +105°C

3. PRODUCT NUMBER CODE:

DS1078-01 - X X X X X

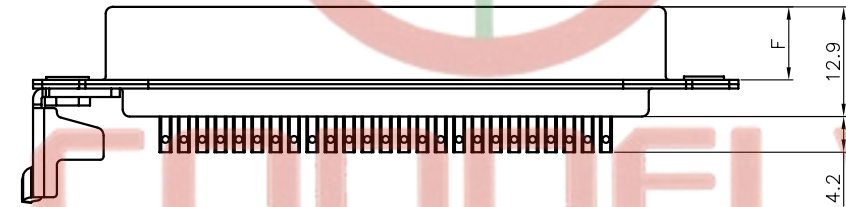
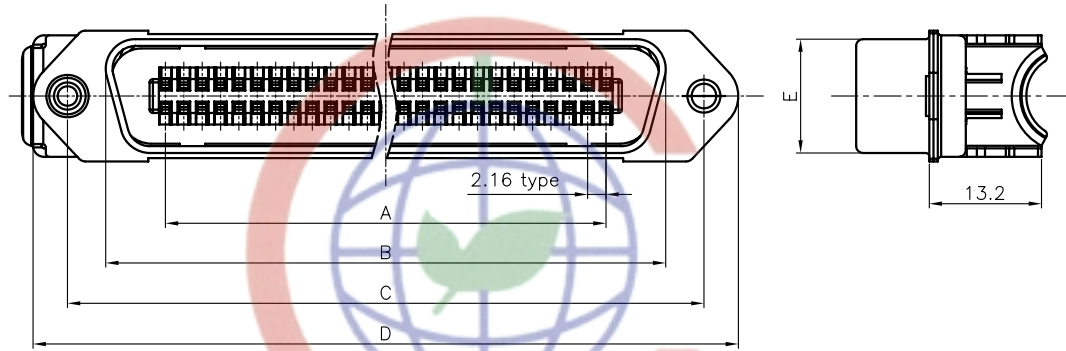
Hood support
 X: W/O Hood,SR & SCREWS
 S: W/ Hood,SR & SCREWS

Color of housing
 L:Blue
 B:Black

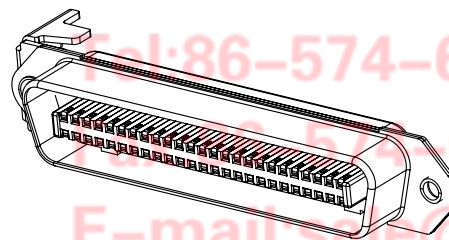
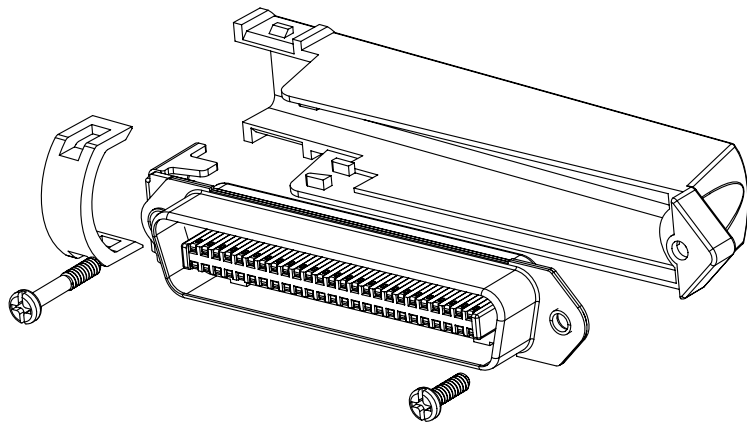
CONTACT PLATED
 O: Selective gold flash

Connector type
 M: Male
 F: Female

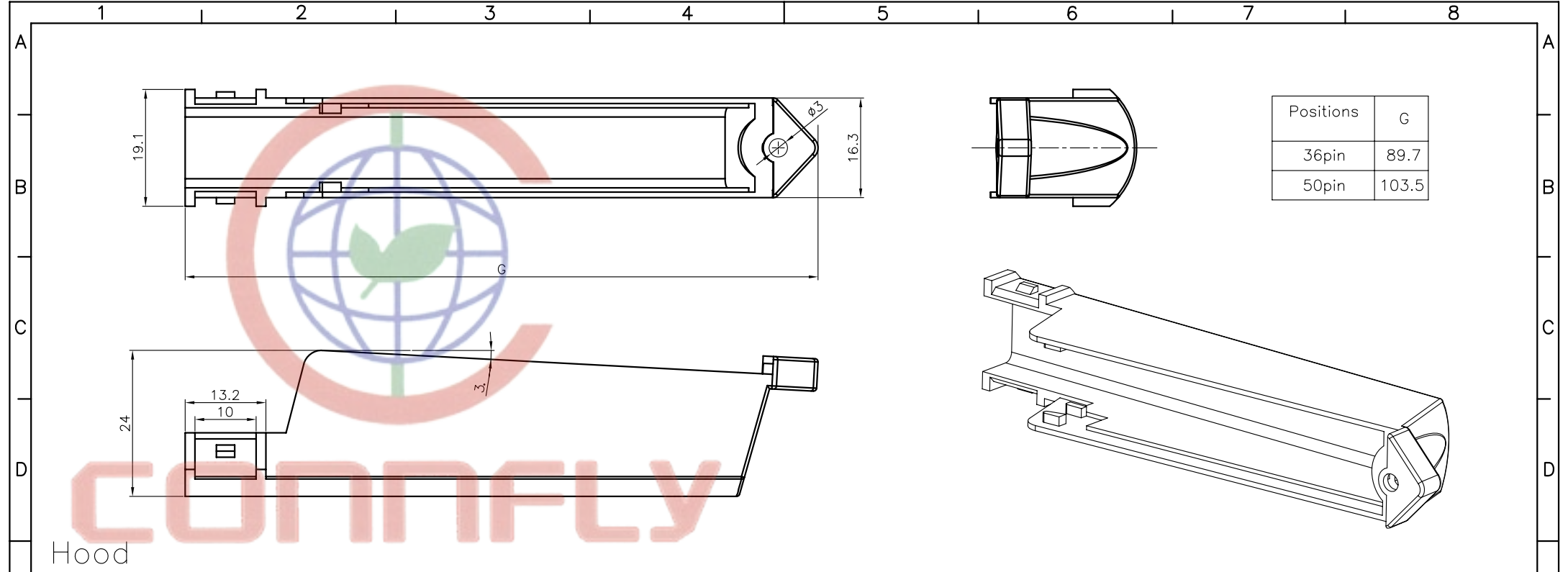
No. of contacts
 36: 36pin
 50: 50pin



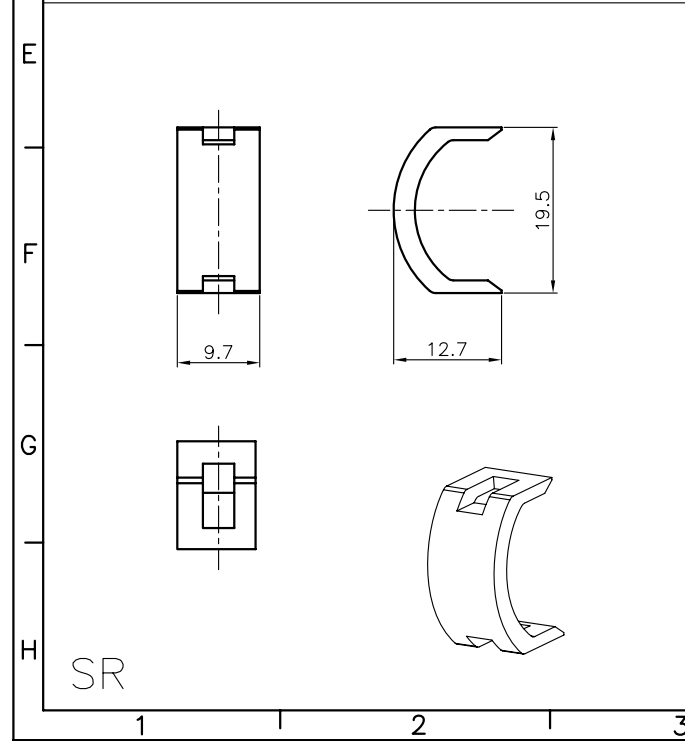
Positions	A	B		C	D	E		F	
		Male	Female			Male	Female	Male	Female
36pin	36.72	50.3	49.0	59.7	67.7	13.3	11.7	8.6	8.3
50pin	51.84	65.9	64.0	74.9	82.8	13.3	11.7	8.6	8.3



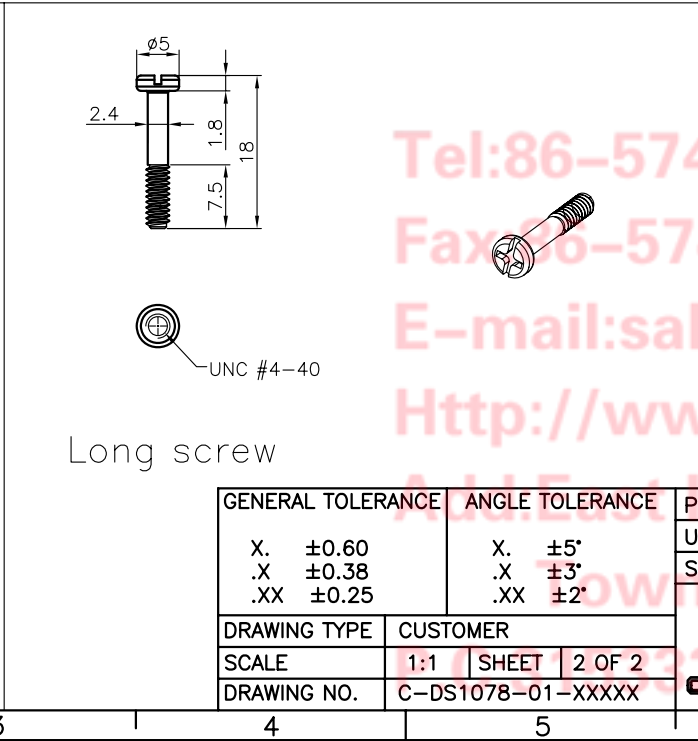
GENERAL TOLERANCE		ANGLE TOLERANCE		PROJECTION		TITLE	CENTRONIC CONNECTORS SOLDER WITH HOOD & SCREWS TYPE
X.	±0.60	X.	±5°	UNITS	mm	SHEET	DS1078-01
.X	±0.38	.X	±3°	SHEET SIZE	A4		
.XX	±0.25	.XX	±2°	晨翔电子有限公司 CONNFLY CONNFLY ELECTRONIC CO. LTD			
DRAWING TYPE		CUSTOMER					
SCALE		1:1 SHEET 1 OF 2					
DRAWING NO.		C-DS1078-01-XXXXX					



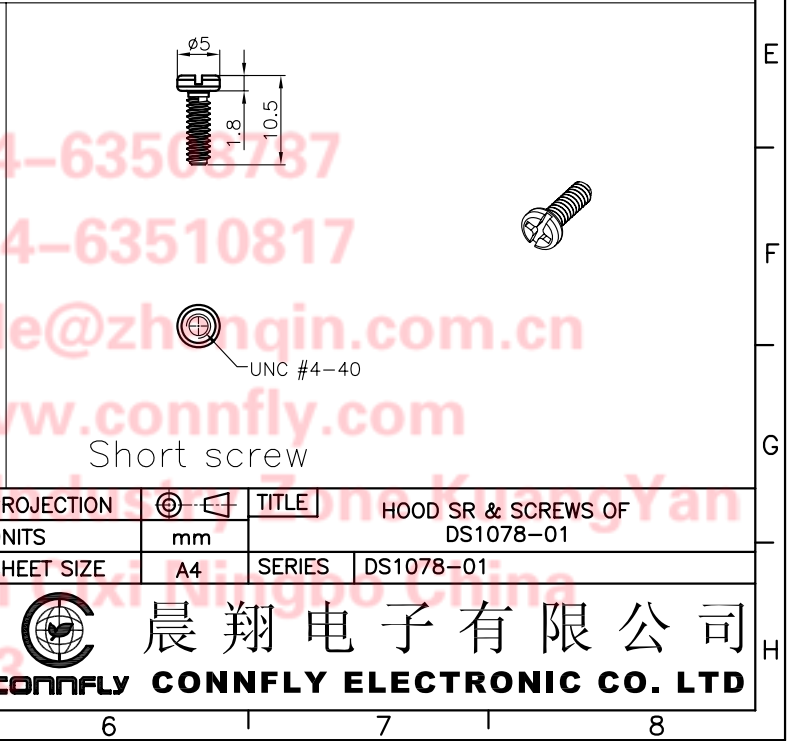
Hood



SR



Long screw



Short screw

GENERAL TOLERANCE		ANGLE TOLERANCE		PROJECTION		TITLE	HOOD SR & SCREWS OF DS1078-01	
X.	±0.60	X.	±5°	UNITS	mm			
.X	±0.38	.X	±3°	SHEET SIZE	A4	SERIES	DS1078-01	
.XX	±0.25	.XX	±2°					
DRAWING TYPE		CUSTOMER			晨翔电子有限公司 CONNFLY ELECTRONIC CO. LTD			
SCALE		1:1	SHEET 2 OF 2					
DRAWING NO.		C-DS1078-01-XXXXX						

Tel:86-574-63505787
 Fax:86-574-63510817
 E-mail:sale@zhongqin.com.cn
 Http://www.connfly.com