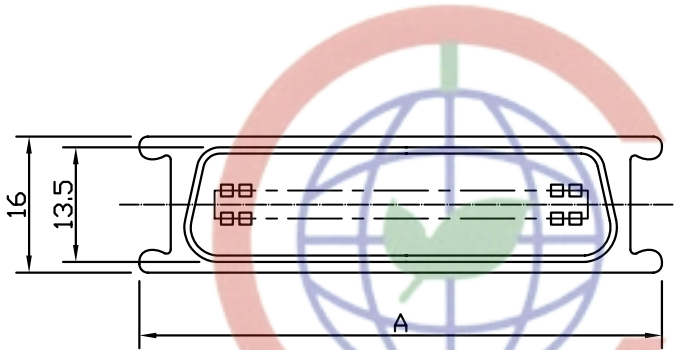


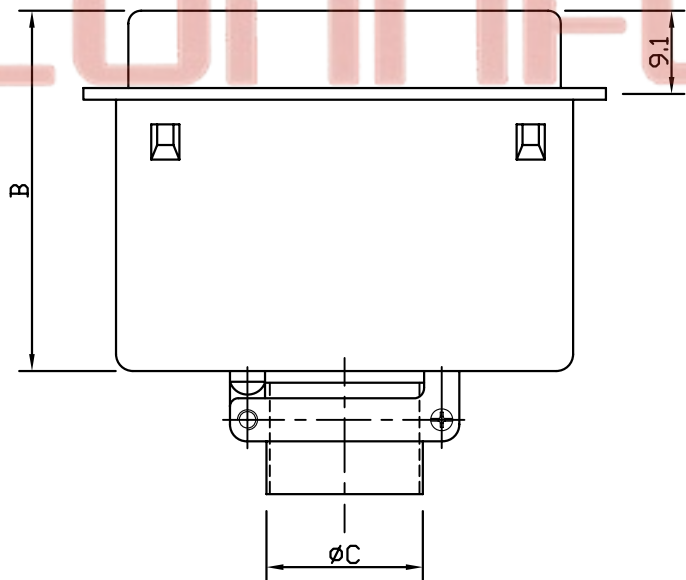
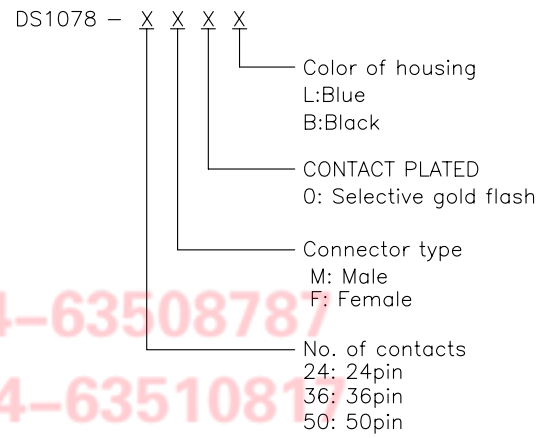
REV.	DESCRIPTION	DRAWN	CHECKED	APPROVED
A	NEW RELEASE	HP 17/06/05	~	LJC 17/06/05
B	更改尺寸	YCH 06/27/07	~	



NOTES:

- MATERIALS
 - . Insulator: Thermoplastic(UL 94V 0)
 - . Contact: Copper alloy
 - . Shell: Steel
 - . Hood: Steel
 - . Washer: Steel
- SPECIFICATION
 - . Current Rating: 3A
 - . Dielectric withstanding voltage: 500V For 1 minute
 - . Insulator Resistance: 1000MQ min
 - . Temperature Range: -40°C ~ +105°C

3. PRODUCT NUMBER CODE:



Shell Size	A	B	C
36pin	61.5	30.2	Ø13.0
50pin	76.7	33.0	Ø13.0

Tel:86-574-6350878/
 Fax:86-574-6351081
 E-mail:sale@zhenqin.com.cn
 Http://www.connfly.com

GENERAL TOLERANCE		ANGLE TOLERANCE		PROJECTION		TITLE	CENTRONIC CONNECTORS SOLDER		
X.	±0.60	X.	±5°	UNITS	mm	SHEET	DS1078		
.X	±0.38	.X	±3°	SHEET SIZE	A4				
.XX	±0.25	.XX	±2°						
DRAWING TYPE		CUSTOMER			晨翔电子有限公司 CONNFLY CONNFLY ELECTRONIC CO. LTD				
SCALE		1:1	SHEET 1 OF 1						
DRAWING NO.		C-DS1078-XXXX							