

REV.	DESCRIPTION	DRAWN	CHECKED	APPROVED
A	NEW RELEASE	HP 17/06/05		

NOTES:

1. MATERIALS

- Insulator: PBT+30% Glass Fiber(UL 94V-0)
- Contact: Copper alloy
- Shell: Steel
- Latch: Stainless steel

2. SPECIFICATION

- Current Rating: 3A
- Dielectric withstanding voltage: 500V For 1 minute
- Insulator Resistance: 1000MΩ min
- Temperature Range: -40°C ~ +105°C

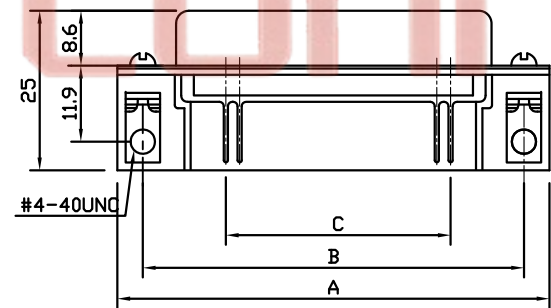
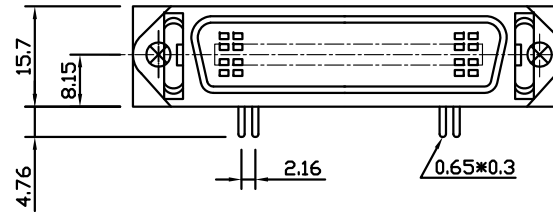
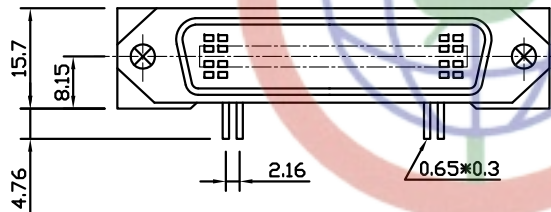
3. FEATURES

- Low cost, high density PCB mounted connector will mate to other ribbon type connectors
- One piece connector design reduce installation time up to 2/3 for lowest installed cost benefits

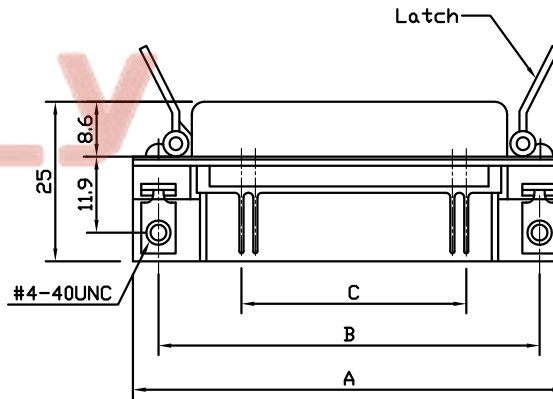
4. PRODUCT NUMBER CODE:

DS1079 - X X X X X

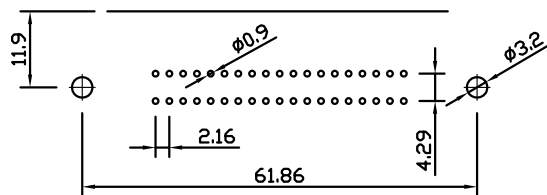
- Latch support
- X: W/O Latch
- S: W/ Latch
- Color of housing
- B: Blue
- K: Black
- CONTACT PLATED
- 0: Selective gold flash
- No. of contacts
- 24: 24pin
- 36: 36pin
- 50: 50pin
- Connector type
- F: Female



W/O Latch



W/ Latch



(TOLERANCE=±0.05)
RECOMMEND PCB LAYOUT

Shell Size	A	B	C
36pin	67.7	59.7	36.72
50pin	82.8	74.9	51.84

GENERAL TOLERANCE	ANGLE TOLERANCE	PROJECTION	TITLE
X. ±0.60	X. ±5°		CENTRONIC CONNECTOR RIGHT ANGLE
.X ±0.38	.X ±3°	mm	SERIES DS1079
.XX ±0.25	.XX ±2°	A4	
DRAWING TYPE	CUSTOMER		
SCALE 1:1	SHEET 1 OF 1	晨翔电子有限公司	
DRAWING NO. C-DS1079-XXXXX		CONNFLY CONNFLY ELECTRONIC CO. LTD	

Tel:86-574-63508787

Fax:86-574-63510817

E-mail:sale@zhenqin.com.cn

Http://www.connfly.com

Add: East Industry Zone Kiang Yan

F.C.S1533