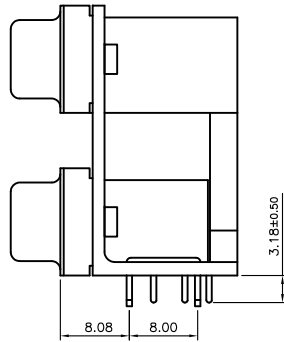
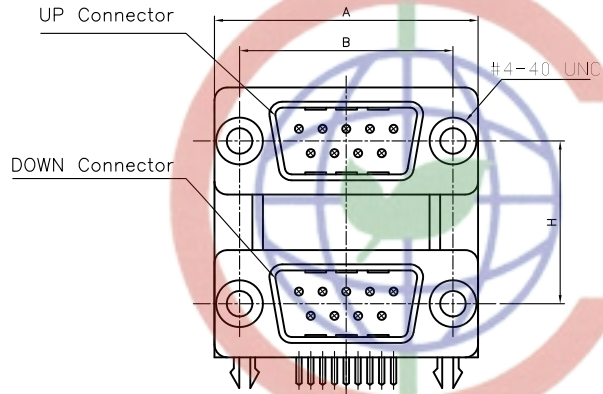


REV.	DESCRIPTION	DRAWN	CHECKED	APPROVED
A	NEW RELEASE	LL 12/20/06		

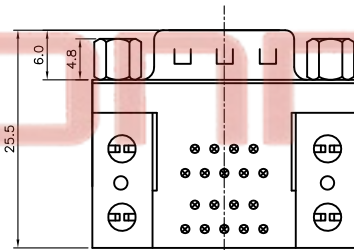


NOTES:

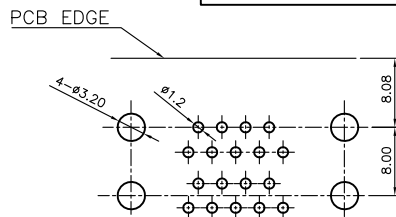
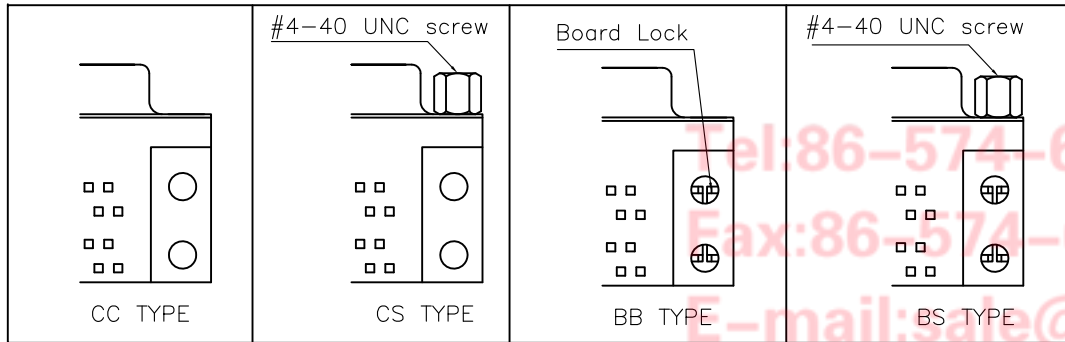
- SPECIFICATION:
 - Current Rating: 3A.
 - Insulation Resistance: 1000MΩ min.
 - Dielectric Withstanding: 500V for One minute.
 - Contact resistance: 100mΩ max.
 - Operating Temperature: -40°C to +105°C
- MATERIALS
 - Housing: PBT With 30% Glass Fiber(UL 94V-0)
 - Contact: Copper alloy.
 - Shell: Steel.
 - Board Lock: Copper alloy
- Product Number code:

DS1082-01 - X X X X X X

- Screw type
 - CC type
 - CS type
 - BB type
 - BS type
- Central distance(DIM. H)
 - 1: 19.05mm
 - 2: 15.88mm
- Housing color
 - B: All black
- Contact plating
 - 0: Selective gold flash
 - 8: Full gold flash
- UP connector type
 - 9M: D-SUB standard 9pin male
 - 9F: D-SUB standard 9pin female
 - 15M: D-SUB standard 15pin male
 - 15F: D-SUB standard 15pin female
 - 25M: D-SUB standard 25pin male
 - 25F: D-SUB standard 25pin female
- DOWN connector type
 - 9M: D-SUB standard 9pin male
 - 9F: D-SUB standard 9pin female
 - 15M: D-SUB standard 15pin male
 - 15F: D-SUB standard 15pin female
 - 25M: D-SUB standard 25pin male
 - 25F: D-SUB standard 25pin female



Positions	DIM A	DIM B
9	30.80	24.99
15	39.14	33.32
25	53.04	47.04



RECOMMEND PCB LAYOUT
(TOLERANCE=±0.05)

GENERAL TOLERANCE		ANGLE TOLERANCE	
X.	±0.60	X.	±5°
.X	±0.38	.X	±3°
.XX	±0.25	.XX	±2°

PROJECTION	TITLE	D-SUB DUAL PORT TYPE		
UNITS	mm	SHEET	DS1082-01	SERIES
SHEET SIZE	A4	SERIES	DS1082-01	SERIES

DRAWING TYPE	CUSTOMER		
SCALE	1:1	SHEET	1 OF 1
DRAWING NO.	C-DS1082-01-XXXXXX		



晨翔电子有限公司

CONNFLY CONNFLY ELECTRONIC CO. LTD