

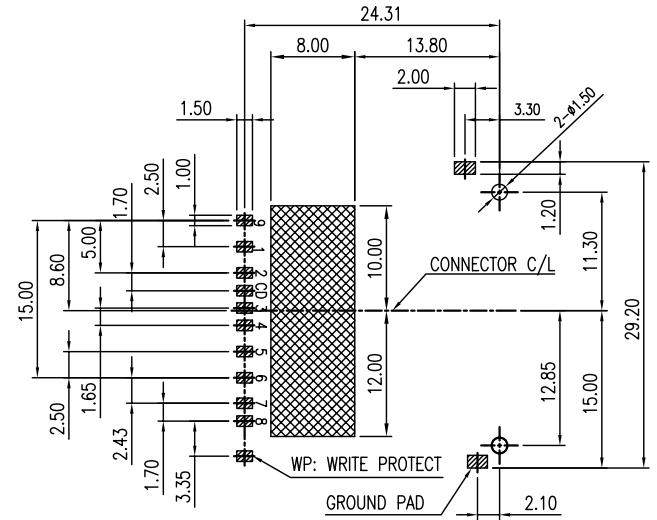
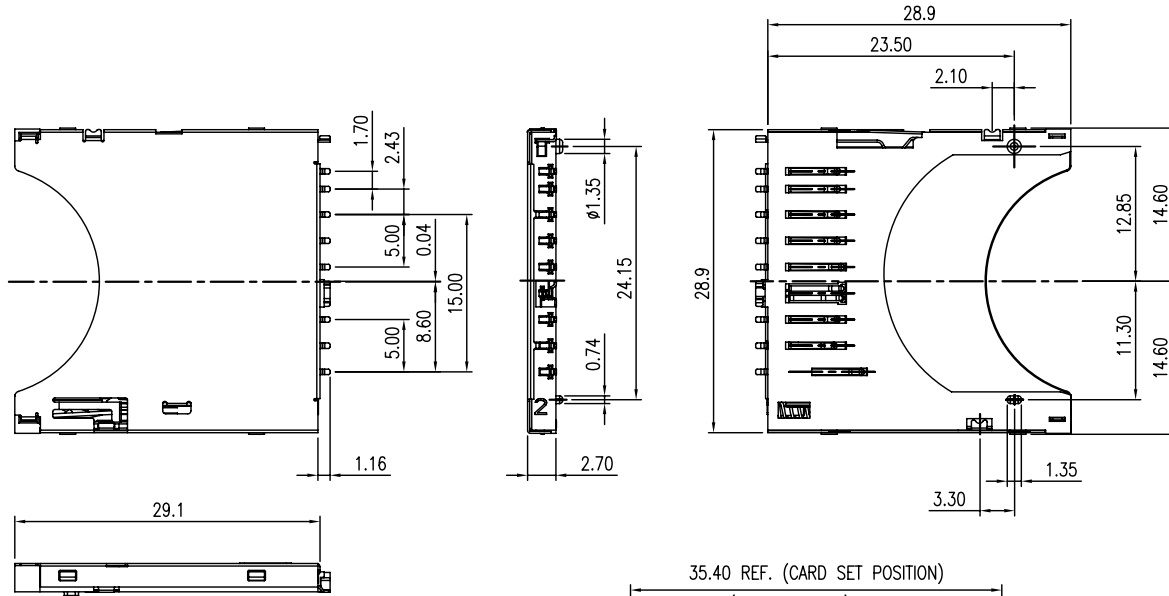


ORIGINAL



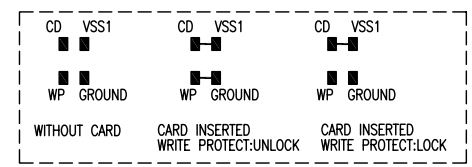
REVISIONS				
SYM	ECN No.	DESCRIPTION	DATE	APPROVED
A1	NE-09125	ADD KEEP OUT AREA	07/20/2009	Roger Tsai
B	NE-07221	ADD PACKING SPECIFICATION	05/28/2007	Hank Hsu
C	NE-07369	ADD DIM & MODIFY PKG SPEC	07/30/2007	Hank Hsu
D	NE-07859	CORRECT LABEL P/N	10/18/2007	Hank Hsu
E	NE-07910	DWG UPDATED	12/14/2007	Hank Hsu
F	NE-09098	PACKING DWG UPDATED	06/08/2009	Arron Lin

This document is the property of Amphenol Corporation and is delivered on the express condition that is not to be disclosed, reproduced or used, in whole or in part, for manufacture or sale by anyone other than Amphenol Corporation without its prior consent, and that no right is granted to disclose or to use any information in this document.
The marking on this product doesn't contain environmental hazardous materials per Material Specification SS-00259 for Sony GP compliant or per directive 2002/95/EC for RoHS compliant.

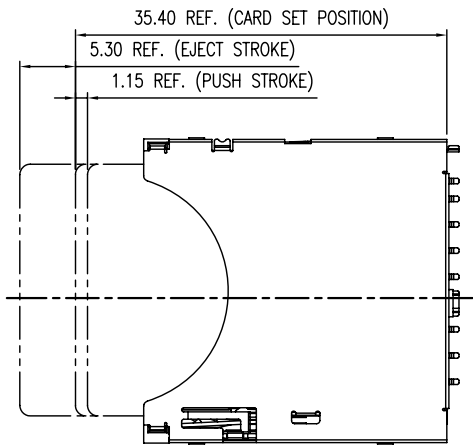


RECOMMENDED PCB LAYOUT
(ALL TOLERANCE ARE ±0.05)

- ▨ : RECOMMENDED SOLDER PAD AREA
- ▩ : TRACE KEEP OUT AREA



PIN NO.	SD	MMC
P1	MMC-DAT SD-DAT3	1P 7P
P2	MMC-CMD SD-CMD	2P 2P
P3	MMC-VSS1 SD-VSS1	3P 3P
P4	MMC-VDD SD-VDD	4P 4P
P5	MMC-CLK SD-CLK	5P 5P
P6	MMC-VSS2 SD-VSS2	6P 6P
P7	MMC-DAT SD-DAT0	7P 1P
P8	SD-DAT1	8P
P9	SD-DAT2	9P



VIEW OF INSERTED CARD

NOTES:

- INSULATOR: LCP, UL94V-0, COLOR: BLACK
15u" GOLD PLATED ON CONTACT AREA
160u" TIN PLATED ON SOLDER TAIL
- CONTACT: PHOSPHOR BRONZE
- GROUND: PHOSPHOR BRONZE, 160u" TIN PLATED
- SHELL: COPPER ALLOY
- THIS PRODUCT DOESN'T CONTAIN ENVIRONMENTAL HAZARDOUS PER MATERIAL SPECIFICATION SS-00259 FOR SONY GP.

TOLERANCE	APPROVALS	DATE	TITLE	UNIT	SIZE	PART No.	
X. ±0.30	DRAWN Roger Tsai	07/20/2009	GSD SERIES SD CARD CONNECTOR SMT TYPE, 9 POSITIONS PUSH-PUSH TYPE	mm	A3	GSD 09 002 SEU	
X.X ±0.20	CHECKED Daniel Hsieh	07/20/2009					
X.XX ±0.20	APPROVED Roger Tsai	07/20/2009	UNIT	mm	SIZE	A3	
X.XXX ±0.10	DWG TYPE	PROJECT CODE	SCALE	NA	SHEET	1 OF 2	
ANGULAR ±1°	CUST DWG	OTHER			DWG No.	GSD 09 002 SEU	REV. F
UNLESS OTHERWISE SPECIFIED							

Amphenol®

Amphenol Corporation
Amphenol Taiwan Corporation

This document is the property of Amphenol Corporation and is delivered on the express condition that is not to be disclosed, reproduced or used, in whole or in part, for manufacture or sale by anyone other than Amphenol Corporation without its prior consent, and that no right is granted to disclose or to use any information in this document.

The marking on this product doesn't contain environmental hazardous materials per Material Specification 55-00259 for Sony GP compliant or per directive 2002/95/EC for RoHS compliant.



ORIGINAL



REVISIONS				
SYM	ECN No.	DESCRIPTION	DATE	APPROVED
A1	NE-09125	ADD KEEP OUT AREA	07/20/2009	Roger Tsai
B	NE-07221	ADD PACKING SPECIFICATION	05/28/2007	Hank Hsu
C	NE-07369	ADD DIM & MODIFY PKG SPEC	07/30/2007	Hank Hsu
D	NE-07859	CORRECT LABEL P/N	10/18/2007	Hank Hsu
E	NE-07910	DWG UPDATED	12/14/2007	Hank Hsu
F	NE-09098	PACKING DWG UPDATED	06/08/2009	Arron Lin

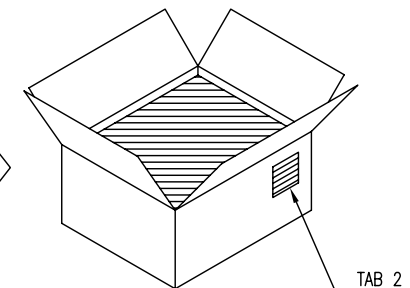
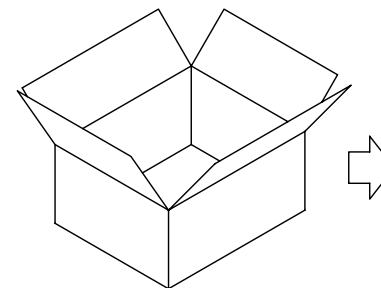
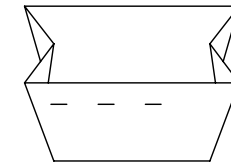
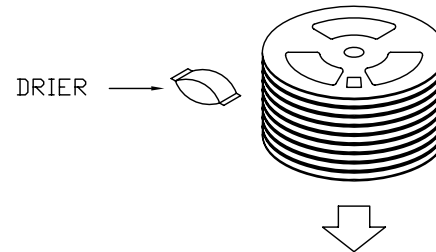
P/N : GSD09002SEU
Q'TY : 250
P/O : 411-012345-001
DATE : 06/31/2007 MM/DD/YYYY
G.W. : KG RoHS
Amphenol Taiwan Corporation

REEL LABEL EXAMPLE
TAB 1

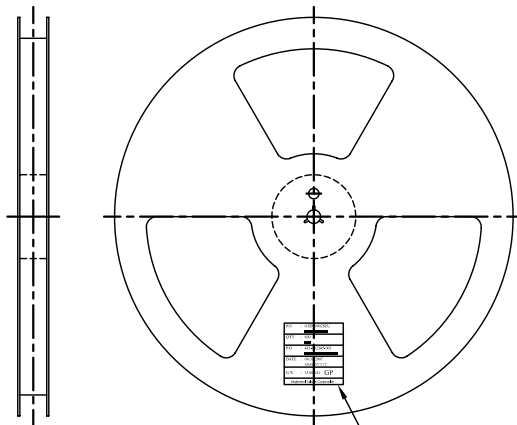
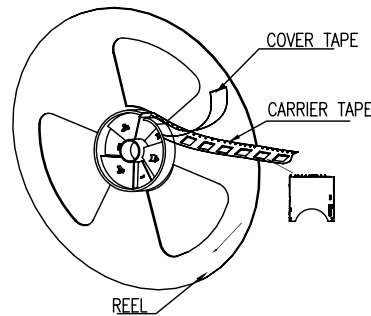
P/N : GSD09002SEU
Q'TY : 1250
P/O : 411-012345-001
DATE : 06/31/2007 MM/DD/YYYY
G.W. : KG RoHS
Amphenol Taiwan Corporation

CARTON LABEL EXAMPLE
TAB 2

- NOTES:
- CARRIER TAPE DIMENSIONS AS DIAGRAM.
 - MATERIAL: BLACK ANTI-STATIC POLYSTYRENE.
 - COMPONENT LOAD: 250 PCS/13" REEL.



Q'TY: 1250 PCS.
1. PLEASE LEAVE 10BLANKS OF EACH INSIDE & OUTSIDE TRACK EVERY REEL.



TOLERANCE	APPROVALS	DATE	TITLE		UNIT		SIZE	PART No.		
X. ±0.30	DRAWN Roger Tsai	07/20/2009	GSD SERIES SD CARD CONNECTOR SMT TYPE, 9 POSITIONS PUSH-PUSH TYPE		mm		A3	GSD 09 002 SEU		
X.X ±0.20	CHECKED Daniel Hsieh	07/20/2009			SCALE		2 OF 2	REV. F		
X.XXX ±0.10	APPROVED Roger Tsai	07/20/2009			NA					
ANGULAR ±1°	DWG TYPE CUST DWG	PROJECT CODE OTHER								
UNLESS OTHERWISE SPECIFIED										

Amphenol[®]
Amphenol Corporation
Amphenol Taiwan Corporation