

SPECIFICATION FOR APPROVAL

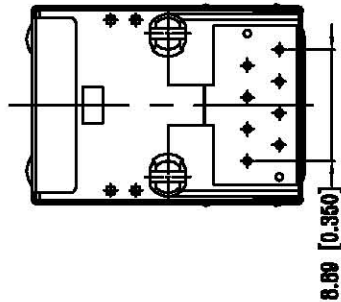
Customer Part No.:

Rev.: 01

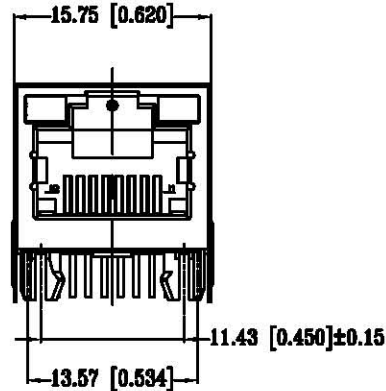
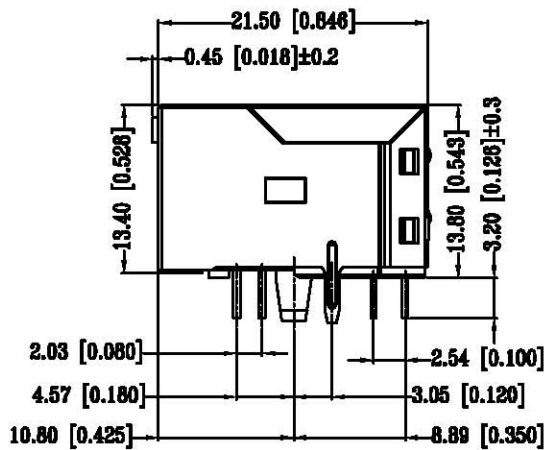
Part Name: RJ45 ICM (10/100 Base-T 1 Port)



4. Mechanical Dimension and Notes:
4-1. Mechanical Dimension:



Unless otherwise specified, all dimensions tolerances is $\pm 0.254 / 0.010$.



4-2. Notes:

1. CONNECTOR MATERIAL:
 HOUSING: THERMOPLASTIC UL94 V-0
 SHIELD: BRASS
 SHIELD PLATING: NICKEL
 CONTACT: COOPER ALLOY
 CONTACT PLATING: SELECTIVE GOLD, 6 MICRO-INCHES MIN IN CONTACT AREA
2. PIN NOT ELECTRICALLY CONNECTED MAYBE OMITTED SEE ELECTRICAL DRAWING FOR OMITTED PINS
3. RJ45 CAVITIES CONFORM TO FCC RULES AND REGULATION PART 68.
4. THE PART IS RECOMMENDED FOR WAVE SOLDERING PROCESS PEAK SOLDERING TEMPERATURE IS 260° C MAX, 10 SECS MAX
5. OPERATING TEMPERATURE T = 0° C TO +70° C.
6. STORAGE TEMPERATURE T = -40° C TO +85° C.

LED SPECIFICATION			
STANDARD LED	WAVELENGTH	Forward V (max)	IVP
GREEN	565nm	2.4V	2.2V
YELLOW	590nm	2.5V	2.1V

*WITH A FORWARD CURRENT OF 20mA

Drawn by

Designed by

Approved by

SPECIFICATION FOR APPROVAL

Customer Part No.:

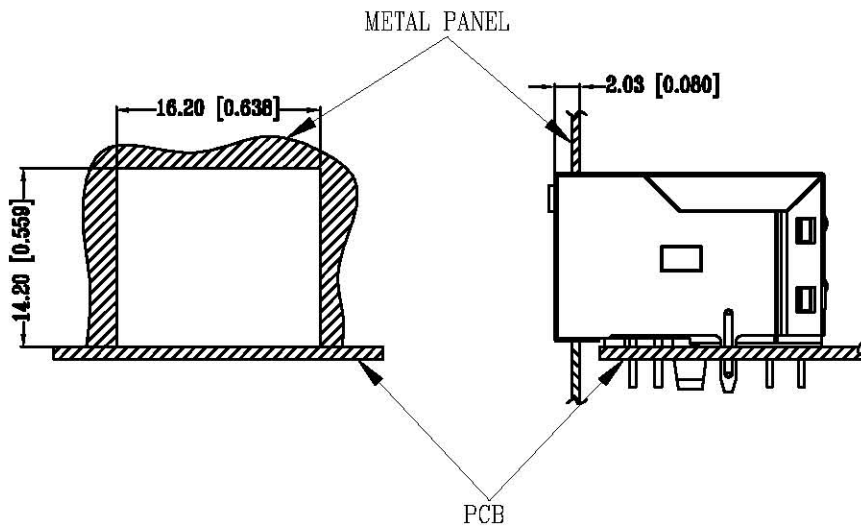
Rev.: 01

Part Name: RJ45 ICM (10/100 Base-T 1 Port)



5. Label and Recommended PWB Layout and Suggested Panel Opening:


5-1. Suggested Panel Opening:



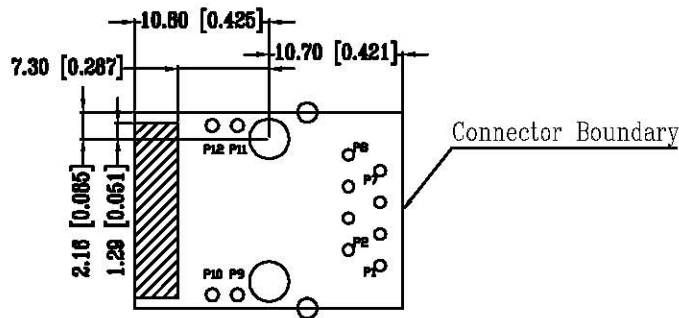
UNIT: mm / inch
Tolerances: ± 0.10 / 0.004

REFERENCE ONLY

SPECIFICATION FOR APPROVAL

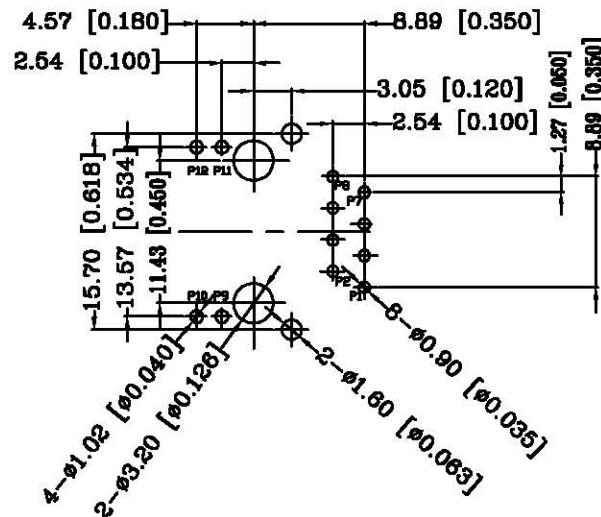
Customer Part No.:	Rev.: 01
Part Name: RJ45 ICM (10/100 Base-T 1 Port)	

5-2. Keep-Out Area (Component Side View):



UNIT: mm / inch
Tolerances: ±0.10 / 0.004

5-3. Recommended PWB Layout (Component Side View):



UNIT: mm / inch
Tolerances: ±0.10 / 0.004

SPECIFICATION FOR APPROVAL

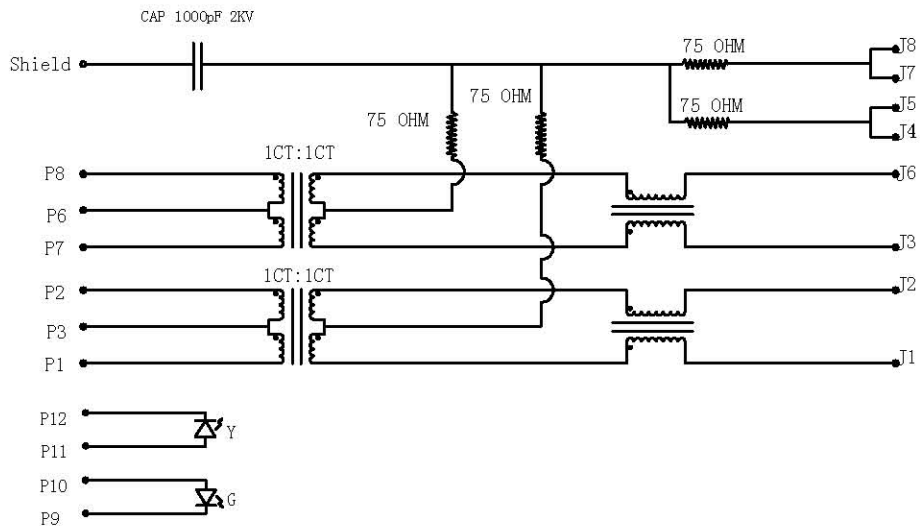
Customer Part No.:

Rev.: 01

Part Name: RJ45 ICM (10/100 Base-T 1 Port)



6. Circuit Schematic and Electrical Specifications:
6-1. Circuit Schematic:



Pin	Green		Yellow
P9	-	P11	+
P10	+	P12	-

6-2. Electrical Specifications:

- 1.0 Turn Ratio @100KHz: (P1~P2):(J1~J2) = 1:1±5%
(P7~P8):(J3~J6) = 1:1±5%
- 2.0 Primary Inductance: 350uH MIN @100KHZ,0.1V 8mA DC BIAS
- 3.0 DC Resistance:(J1~J2):(J3~J6) 1.2 OHMS MAX
- 4.0 Insertion Loss: 1-100MHz -1.2dB MAX
- 5.0 Return Loss: 1-30MHz -16dB TYP
30-60MHz -12dB TYP
60-80MHz -10dB TYP
- 6.0 CROSS TALK: 1-100MHz -30dB TYP
- 7.0 COMMON TO COMMON MODE ATTENUATION: 1-100MHz -30dB TYP
- 8.0 Isolation: Line Side to Shield: 1500VAC or 2250VDC
P1~P8 to J1~J8: 1500VAC or 2250VDC
- 9.0 DC CURRENT/VOLTAGE RATING-PSE PINS: 350mA @57V(CONTINUOUS)