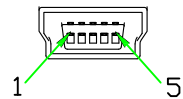


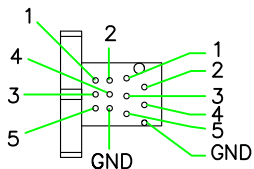
Recommended Panel Cut Out

RoHS

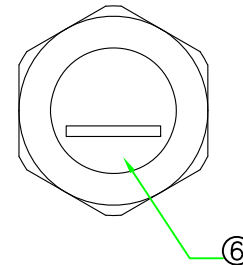
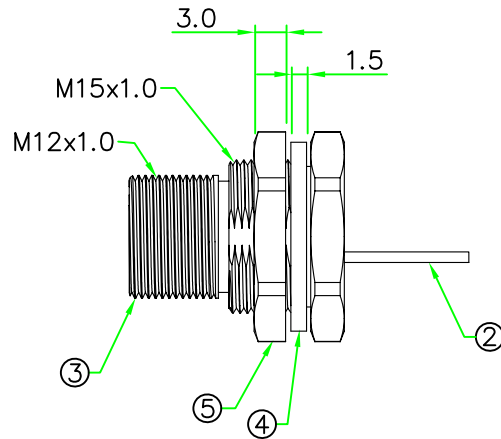
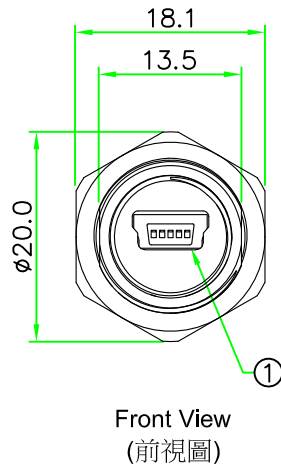
IP66~68



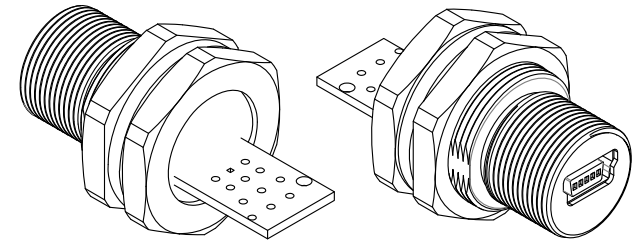
Pin Assignment Front View (前視圖)



Pin Assignment Top View(上視圖)



REV.	DESCRIPTION	DATE
A	ISSUE	Mar/23/2018



- Specification:
1. Current rating : 1A Max.
 2. Dielectric withstanding voltage: 100V(AC) for 1 minute.
 3. Contact resistance : 50mΩ Max.
 4. Insulation resistance : 100mΩ Min.
 5. Temperature range:-20°C ~+60°C.

6	GLUE	EPOXY.	BLACK	1	
5	HEX NUT	NYLON+GF.	BLACK	1	
4	GASKET	EPDM.	BLACK	1	
3	HOUSING	NYLON+GF.	BLACK	1	
2	PCB	Double Side PCB.		1	
1	CONNECTOR	Mini USB B Type Female Connector.	BLACK	1	
No.	PART NAME	DESCRIPTION	COLOR	Q'TY	REMARKS

HOLIN® HTP ASIA TECHNOLOGY CO., LTD. 禾凌科技股份有限公司	
UNIT: mm SCALE 1.5:1 UNLESS OTHERWISE SPECIFIED TOLERANCES: .X ± 0.5 .XX ± 0.25 .XXX ± 0.1 ANGLE ± 1° REV. SHEET	TITLE Mini USB B Type 5P Female Connector All Plastic Rear Mount Hex Flange With Bare PCB P/N: MUB-P3H10 DWG.NO: MUB-P3H10 DR. JACK CH. ERIC AP.
A	1/1