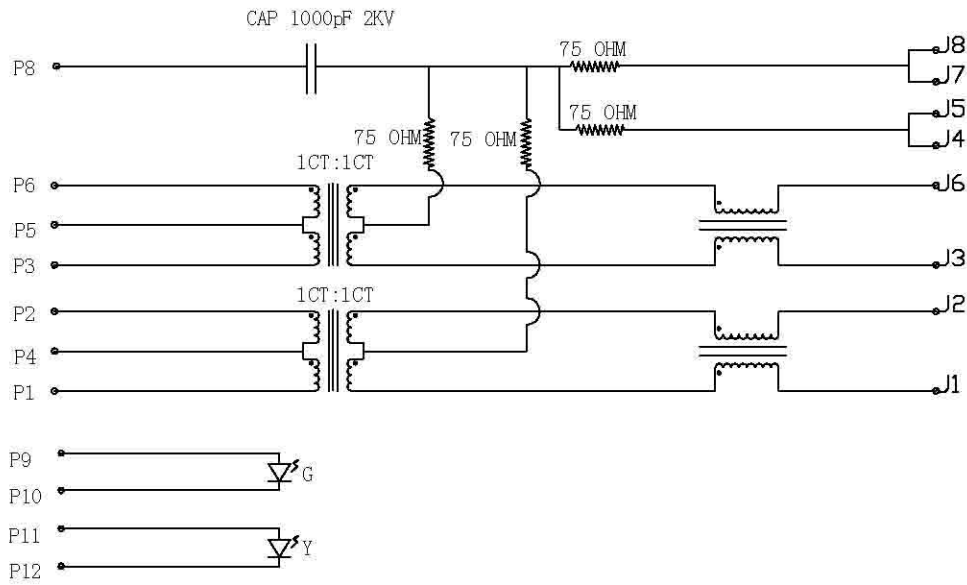




| REV | DISCRITION | DATE |
|-----|---------------|------------|
| 01 | ISSUE FIRSTLY | 2008.11.19 |
| 02 | NEW FORMAT | 2010.09.24 |



ALL THE RAW MATERIALS MEET RoHS STANDARD

ELECTRICAL SPECIFICATIONS @25° C:

- 1.0 TURN RATIO: (P1~P2) : (J1~J2) : 1:1±3%
(P3~P6) : (J3~J6) : 1:1±3%
- 2.0 INDUCTANCE: (P1~P2) AND (P3~P6) : 350uH MIN @0.1V, 100KHZ, 8mA DC BIAS
- 3.0 LEAKAGE INDUCTANCE: P1~P2 (WITH J1 AND J2 SHORT) : 0.35uH MAX @1MHZ
P3~P6 (WITH J3 AND J6 SHORT) : 0.35uH MAX @1MHZ
- 4.0 INTERWINDING CAPACITANCE: (P1~P2) : (J1~J2) : 35pF MAX @ 1MHZ
(P3~P6) : (J3~J6) : 35pF MAX @ 1MHZ
- 5.0 DC RESISTANCE: (J1~J2) : (J3~J6) : 1.2 OHMS MAX
- 6.0 RETURN LOSS: 1MHZ TO 30MHZ : -18dB MIN
30MHZ TO 60MHZ : -(18-20log(f/30))dB MIN (WHERE f IS IN MHZ)
60MHZ TO 80MHZ : -12dB MIN
- 7.0 DIELECTRIC WITHSTAND: (P1~P2) : (J1~J2) : 2250VDC
(P3~P6) : (J3~J6) : 2250VDC
- 8.0 INSERTION LOSS: 100KHZ TO 100MHZ : -1.2dB MAX
- 9.0 CROSS TALK: 1MHZ TO 100MHZ : -35dB TYP
- 10.0 COMMON TO COMMON MODE ATTENUATION: 30MHZ TO 100MHZ : -30dB TYP

| | | | | | | | |
|------|----------------------------|-------|-----|-------------|---------------|-------|--------|
| DWN | Ding Wen Min 2010.09.24 | SIZE | A1 | DRAWING NO. | TS-10017-14TH | REV | 02 |
| CHK | Shang Wei Gang | SCALE | N/A | | | SHEET | 2 OF 3 |
| APVD | DaVid | | | | | | |

MECHANIC SPECIFICATIONS:

RoHS
2002/95/EC



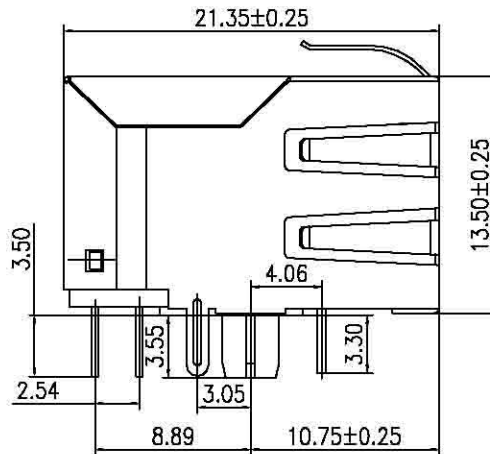
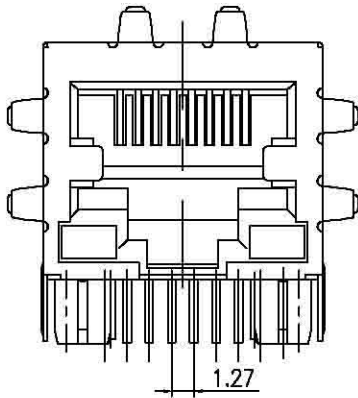
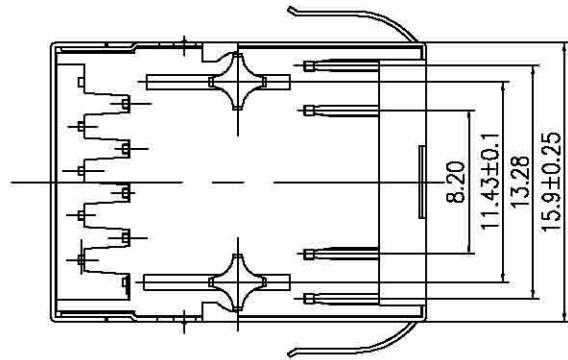
| REV | DISCRITION | DATE |
|-----|---------------|------------|
| 01 | ISSUE FIRSTLY | 2008.11.19 |
| 02 | NEW FORMAT | 2010.09.24 |

NOTES:

- CONNECTOR MATERIAL:
HOUSING: THERMOPLASTIC UL94 V-0
CONTACT/SHIELD: COOPER ALLOY
SHIELD PLATING: NICKEL OR TIN
CONTACT PLATING: SELECTIVE GOLD,
50 MICRO-INCHS MIN
30 MICRO-INCHS MIN
15 MICRO-INCHS MIN
6 MICRO-INCHS MIN
3 MICRO-INCHS MIN

IN CONTACT AREA

- PIN NOT ELECTRICALLY CONNECTED MAYBE OMITTED SEE ELECTRICAL DRAWING FOR OMITTED PINS.
- RJ45 CAVITIES CONFORM TO FCC RULES AND REGULATION PART 68.
- THE PART IS RECOMMENDED FOR WAVE SOLDERING PROCESS PEAK SOLDERING TEMPERATURE IS 260° C MAX, 10 SECS MAX
- OPERATING TEMPERATURE T=0° C TO +70° C.
- STORAGE TEMPERATURE T=-25° C TO +85° C.
- ALL TOLERANCES NOT OTHERWISE SPECIFIED TO BE ±0.25mm.



| LED SPECIFICATION | | | |
|-------------------|------------|-----------------|------|
| STANDARD LED | WAVELENGTH | Forward V (max) | TYP |
| GREEN | 565nm | 2.4V | 2.2V |
| YELLOW | 590nm | 2.5V | 2.1V |

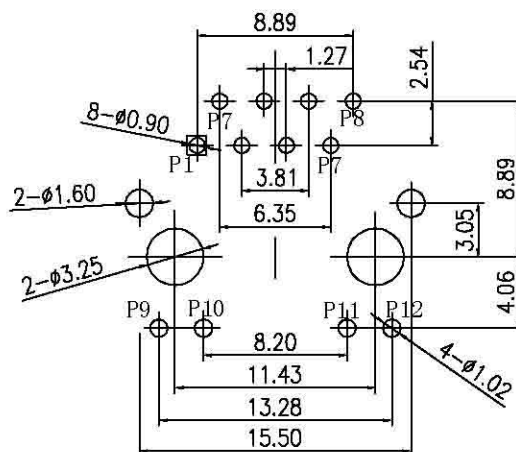
*WITH A FORWARD CURRENT OF 20mA

Ordering informer:
TS-10017-14XX

See Sheet

Material Plastic:
H:whit Haloid.

| Code | Housing Colour | Housing Material | Insertor Colour | Insertor Material |
|------|----------------|------------------|-----------------|-------------------|
| Z | Black | PBT | Black | PBT |
| Y | Black | PBT | Yellow | PBT |
| W | Yellow | PBT | Black | PBT |
| U | Yellow | PBT | Yellow | PBT |
| T | Black | PA66 | Black | PBT |
| S | Black | PA66 | Yellow | PBT |
| R | Yellow | PA66 | Black | PBT |
| Q | Yellow | PA66 | Yellow | PBT |
| P | Black | PA46 | Black | PBT |
| O | Black | PA46 | Yellow | PBT |
| N | Yellow | PA46 | Black | PBT |
| M | Yellow | PA46 | Yellow | PBT |



P. C. B. RECOMMENDED HOLE LAYOUT SEEN FROM COMPONENT SIDE.

ALL CENTERLINE DIMENSIONS ARE BASIC

| | | | | |
|------|----------------------------|--------------|------------------------------|-----------------|
| DWN | Ding Wen Min 2010.09.24 | SIZE A1 | DRAWING NO. TS-10017-14TH | REV 02 |
| CHK | Shang Wei Gang | SCALE N/A | | SHEET 3 OF 3 |
| APVD | DaVid | | | |