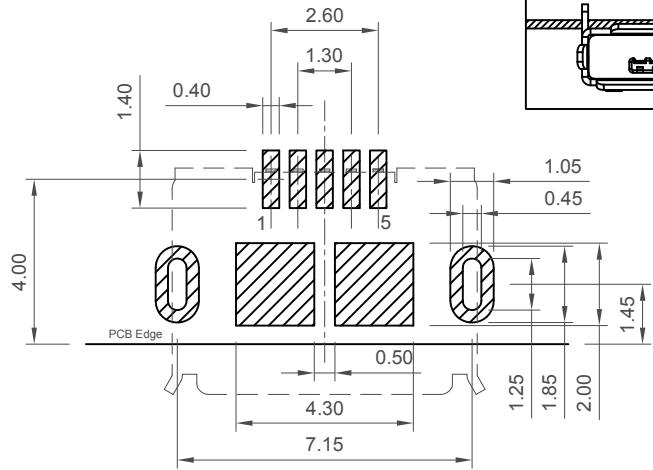
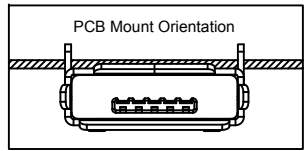
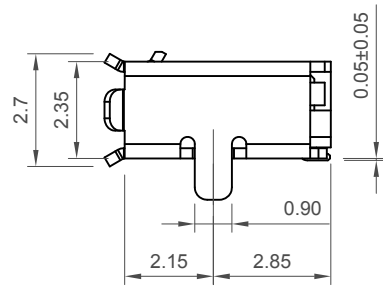


Designed to comply with physical, electrical and environmental requirements of Micro USB Standard (USB2.0), A/B types support USB On-The-GO (OTG) interface.

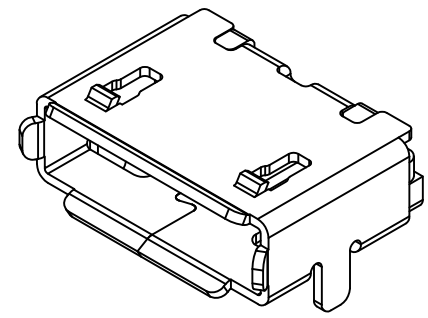


Recommended PCB Layout

General Tolerance: ±0.05
as viewed from component side
 Solder Area Component Outline



Ordering Grid
USB3090 - **30** - **A**
 Contact Plating
 30 = 30u" Gold
 Packing Options
 A = Tape & Reel
 (1.5K per Reel)



Specifications 规格:

Materials 材料:
 Plastic Housing 塑胶外壳: LCP, UL94V-0, Black
 Contact Terminal 接触端子: Copper Alloy
 Metallic Shell 金属外壳: Stainless Steel SUS 304 T = 0.25mm

Plating 电镀:
 Underplating 底层电镀: 50µ" Nickel
 Finish 表面处理: Contact Area 接触面积: 30µ" Gold plating
 Solder Tails 焊接末端: Gold Flash
 Metallic Shell 金属外壳: Matte Tin

Electrical 电气规格:
 Voltage Rating 电压额定值: 30V AC
 Current Rating 电流额定值: Signal (Pins 2,3,4): 1.0 A
 Power (Pins 1,5): 1.8A
 Operating Temperature 工作温度: -30°C to +85°C
 Contact Resistance 接触电阻值: 30 mΩ max.
 Insulating Resistance 绝缘电阻值: 1000 MΩ min.
 Dielectric Withstand Voltage 耐电压: 500 V AC/Minute

Mechanical 机械性规格:
 Mating Force 插入力: 35N max.
 Unmating Force 拨出力: 10N min.
 Durability 耐久性: 10,000 Cycles

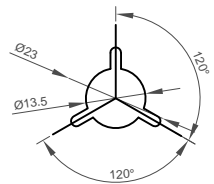
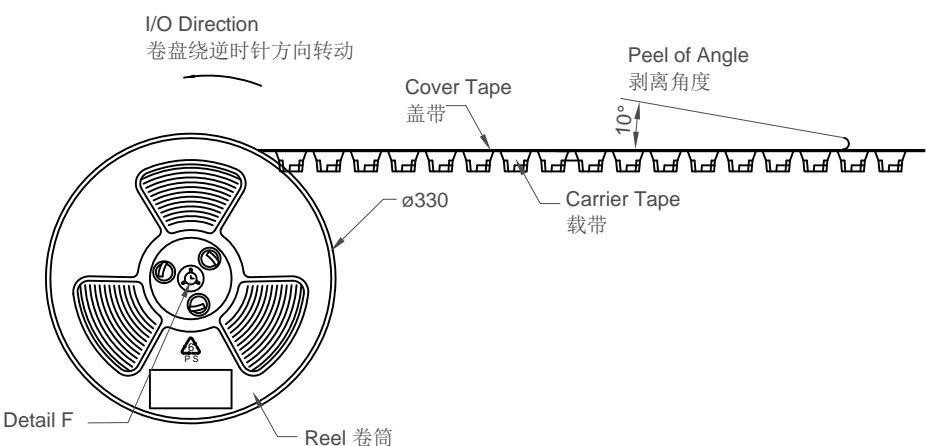
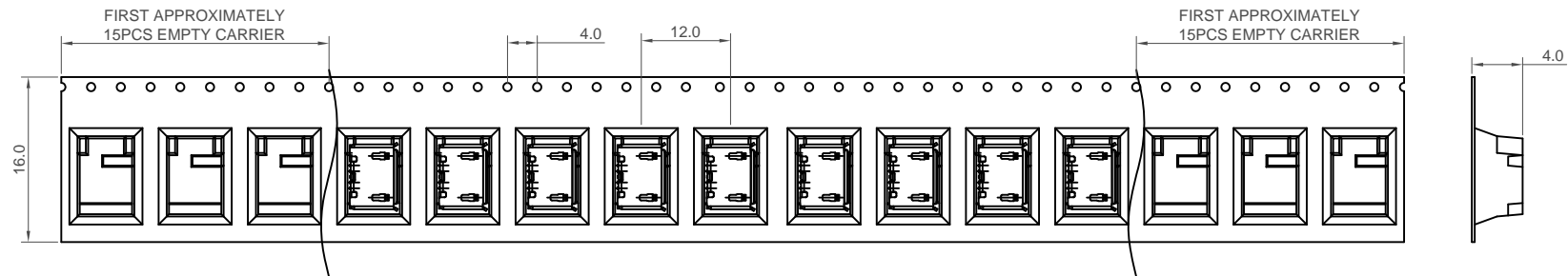
Part Number		Product Description	
USB3090		Micro USB Receptacle, Type AB	
Drawing Date		SMT, R/A, Bottom Mount, w/out Peg, w/outer shell stakes	
4th April 2011			
By	CC	Tolerances (Except as Noted)	Units:
Detail	USB3090	Length	Metric (mm)
	E PCN	Angle	
Revision	E1	X.X ± 0.3	X.X° ± 2°
Date	13/12/16	X.XX ± 0.20	X.XX° ± 1°
		X.XXX ± 0.10	X.XXX° ± 0.5°



This drawing is confidential and copyright of Global Connector Technology, Ltd (GCT). This drawing must not be copied or disclosed without written consent. E & OE

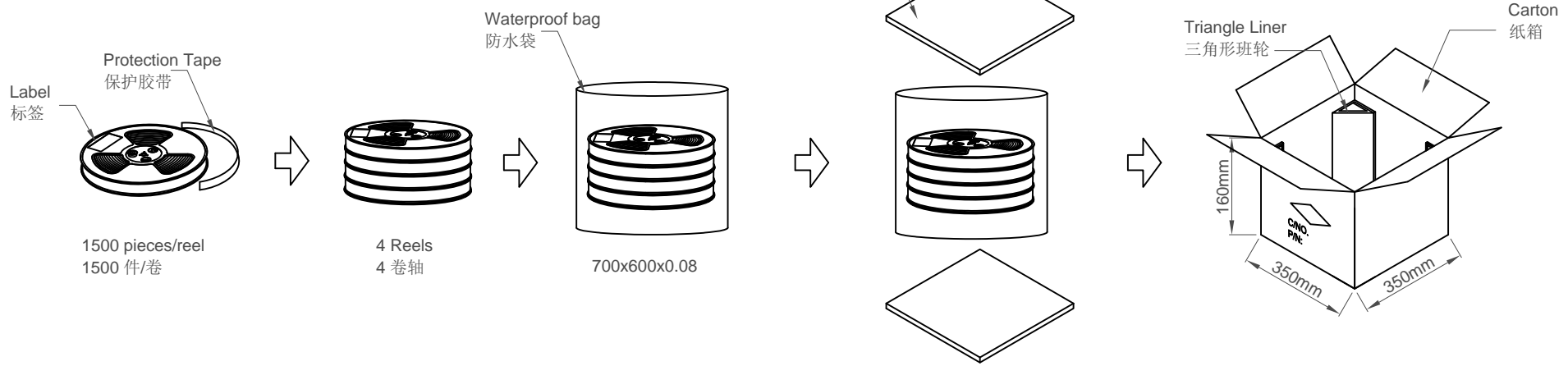
GCT
 Global Connector Technology
 www.gct.co

Not to Scale	Drawn By SA	Sheet No. 1/2
--------------	-------------	---------------



Products P/N	PCS/Reel	Reels/Carton	PCS/Carton
USB3090-30-A	1500	4	6000

- Notes 注意:
1. Peeling off force of top tape: 0.1-1.3N
 2. Part Conforms to EIA-481-C Standards 产品符合EIA-481-C标准
 3. All dimensions in millimeters 所有尺寸均是毫米
 4. 10 sprocket hole pitch cumulative tolerance $\pm 0.2\text{mm}$



Part Number USB3090		Product Description Micro USB Receptacle, Type AB	
Drawing Date 4th April 2011		SMT, R/A, Bottom Mount, w/out Peg, w/outer shell stakes	
By CC	Tolerances (Except as Noted) Length Angle	Units: Metric (mm)	
Detail USB3090 E PCN			
Revision E1			
Date 13/12/16			

This drawing is confidential and copyright of Global Connector Technology, Ltd (GCT). This drawing must not be copied or disclosed without written consent. E & OE

GCT
Global Connector Technology
www.gct.co

Not to Scale	Drawn By SA	Sheet No. 2/2
--------------	----------------	------------------