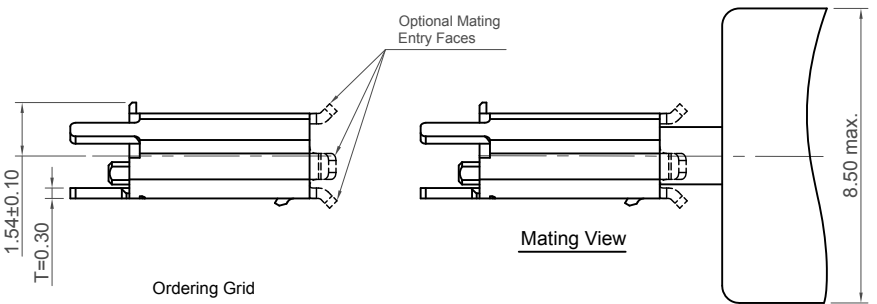
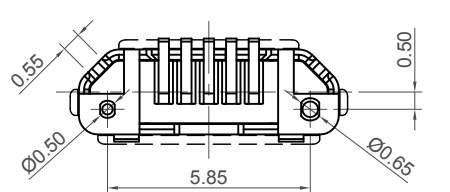
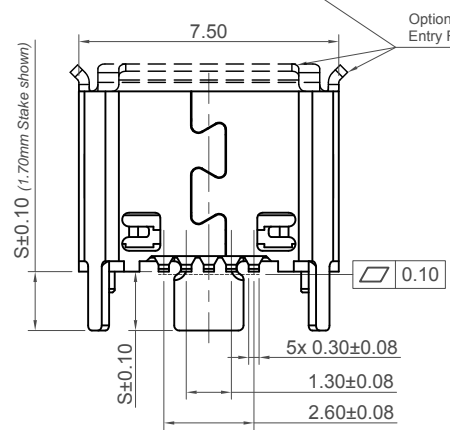


Recommended PCB Layout
As viewed from component side General tolerance: ±0.03
 Solder Area Component Outline

PCB Mount & Cap Information



Mating View

Ordering Grid
USB3160 - 30 - XXXX - X - C [Request Samples and Quotation](#)
Contact Plating
30 = 30µ" Gold
Shell Stake Length "S"
0070 = 0.70mm
0120 = 1.20mm (recommended for 0.80mm PCB)
0170 = 1.70mm (recommended for 1.00mm PCB)
Packing Options
C = Tape & Reel with Cap (600 per reel)
Mating Entry Face
1 = With Mating Entry Face
0 = Without Mating Entry Face

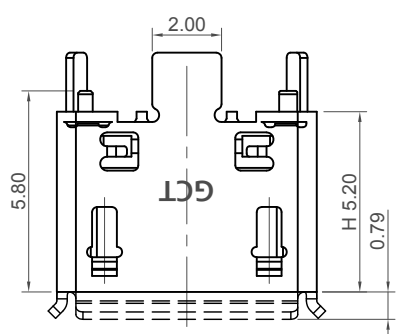
Specifications 规格

Material 物料
 Plastic Housing 塑胶外壳: High Temp Plastic, UL94V-0, Black
 Contact Terminal 接触端子: Copper Alloy
 Metallic Shell 金属外壳: Stainless Steel

Plating 电镀
 Underplating 底层电镀: 50µ" Nickel min
 Finish 表面处理: Contact Area 接触面积: 30µ" Gold
 Solder Tails 焊接末端: Gold Flash
 Metallic Shell 金属外壳: Matte Tin

Electrical 电气
 Voltage Rating 电压额定值: 30 V AC
 Current Rating 电流额定值: Signal (Pins 2,3,4): 1.0 A
 Power (Pins 1,5): 2.8A.
 Operating Temperature 工作温度: -30°C to +85°C.
 Contact Resistance 接触电阻值: 30mΩ max.
 Insulating Resistance 绝缘电阻值: 1000MΩ min.
 Dielectric Withstand Voltage 耐电压: 100V AC/minute

Mechanical & Environmental 机械 & 环境
 Mating Force 插入力: 35N max.
 Unmating Force 拔出力: 8N min.
 Durability 耐久性: 10,000 Cycles



Designed to comply with physical, electrical and environmental requirements of Micro USB Standard (USB2.0)

Part Number		Product Description	
USB3160		Micro USB Receptacle, Type B, Surface Mount, Vertical, With Locating Peg & Through-Hole Shell Stakes	
Drawing Date		2nd November 2016	
By	CC	Tolerances (Except as Noted)	Units:
Detail	Drawing Release	Length X. ± 0.50 X.X ± 0.30 X.XX ± 0.20 X.XXX ± 0.10	Metric (mm)
Revision	A	Angle ± 2°	
Date	02/11/16		

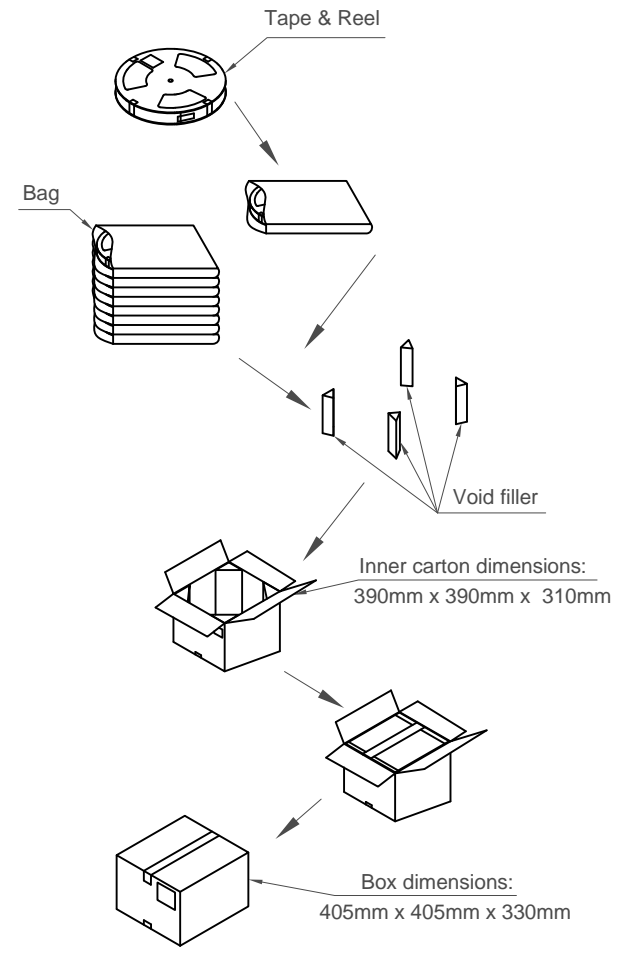
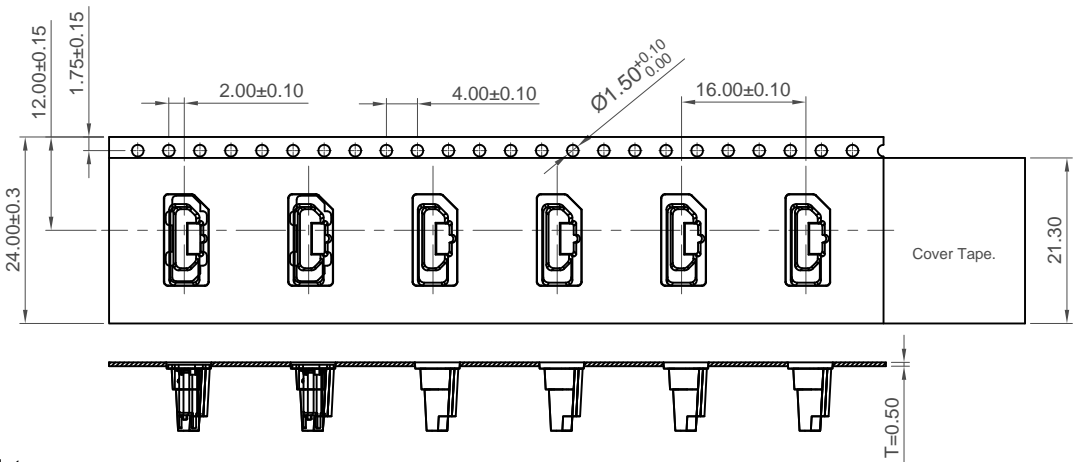
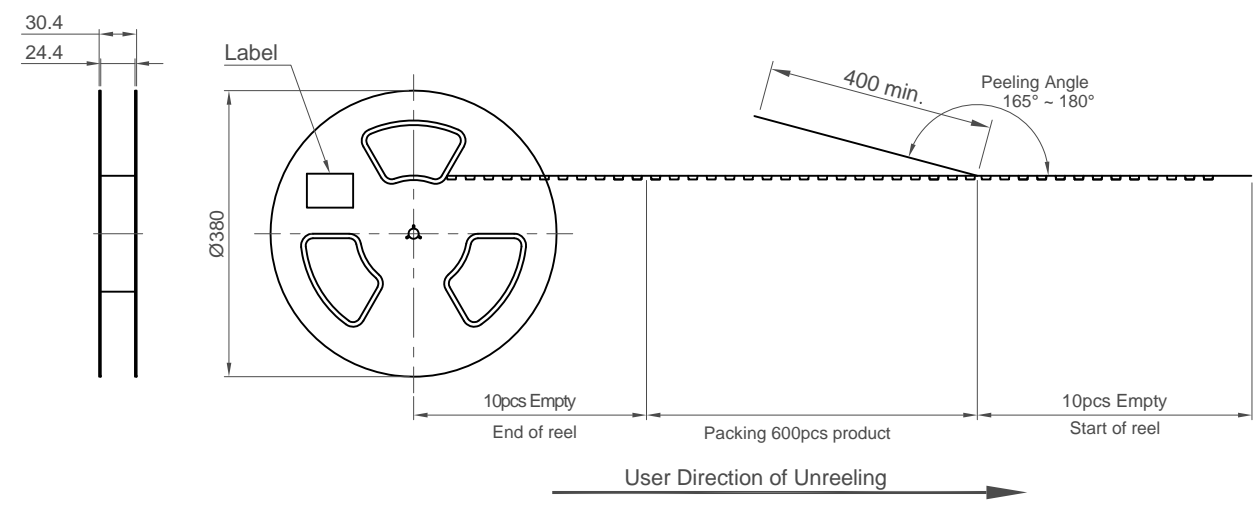
This drawing is confidential and copyright of Global Connector Technology, Ltd (GCT). This drawing must not be copied or disclosed without written consent. E & OE

GCT Global Connector Technology www.gct.co		
Not to Scale	Drawn By CC	Sheet No. 1/2

H
G
F
E
D
C
B
A

1 2 3 4 5 6 7 8

H
G
F
E
D
C
B
A



Note:

1. Material:
 Box: Fibreboard, corrugated, double wall.
 Tape: Polystyrenes, heat-resistant temperature: 120°C, Black color.
 Reel: Polystyrenes, heat-resistant temperature: 70°C, Blue color.
 Bag: Polyethylene, heat-resistant temperature: 100°C.

2. Peeling strength: 0.1 ~ 1.3 N (10 ~ 130 grams)
3. Peeling speed: 300 mm/min.
4. Each bag shall include desiccant.

Pcs / Reel	Reels / Carton	Total Quantity
600	10	6000 pcs

Part Number USB3160		Product Description Micro USB Receptacle, Type B, Surface Mount, Vertical, With Locating Peg & Through-Hole Shell Stakes		 Global Connector Technology www.gct.co
Drawing Date 2nd November 2016				
By CC	Drawing Release A	Tolerances (Except as Noted)	Units: Metric (mm)	
Detail	Revision A	Length X. ± 0.20 X.X ± 0.15 X.XX ± 0.10 X.XXX ± 0.05	Angle ± 2°	 This drawing is confidential and copyright of Global Connector Technology, Ltd (GCT). This drawing must not be copied or disclosed without written consent. E & OE
Date 02/11/16		 3rd Angle Projection		Not to Scale Drawn By CC Sheet No. 2/2