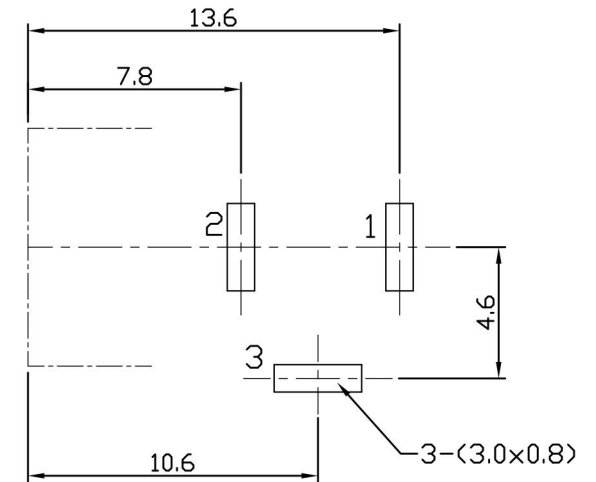
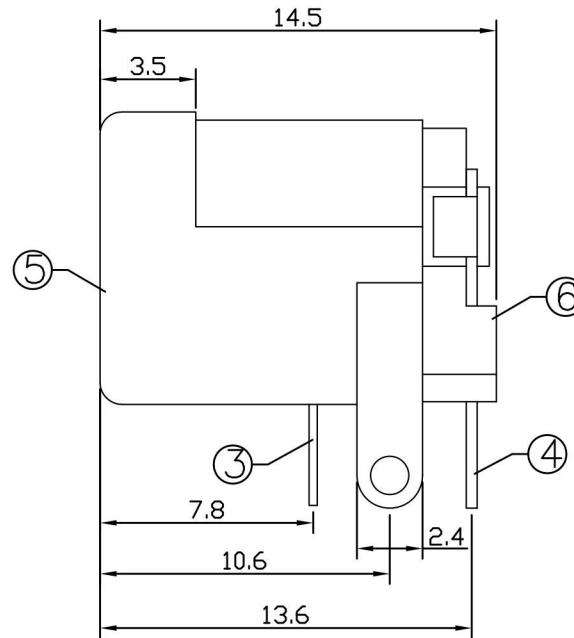
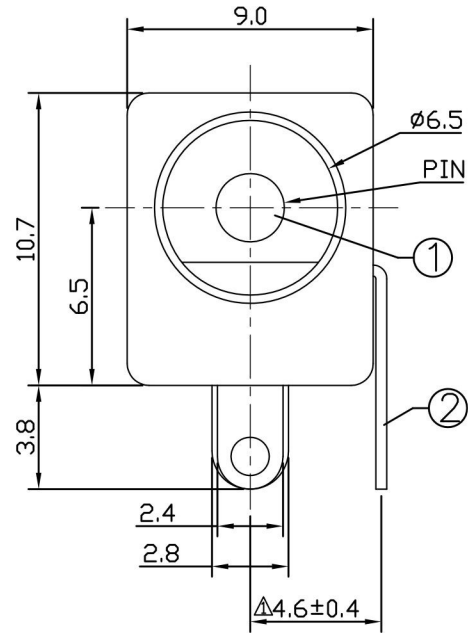


* REVISIONS

LTR	DESCRIPTION	DATE	REVISED	APPROVED
△×1	修改尺寸符合實物	2010.11.17	ANJOU	GAOWEI



T:1.6 Dimensions of PC board holes
Tolerance : ±0.1(Printed-top view)

CAT. NO.	PIN	SCHEMATIC
WTJ-020-04PA	φ2.0	

LEAD FREE

6	COVER	1	PBT 4815	UL-94V0(BLACK)
5	HOUSING	1	PBT 4815	UL-94V0(BLACK)
4	FLAT PIECE	1	C2680 t=0.4	MB:Cu Sn PLATED
3	SPRING	1	C5191 t=0.3	MB:Cu Sn PLATED
2	CURVE PIECE	1	C2680 t=0.4	MB:Cu Sn PLATED
1	PIN	1	H59(COPPER ALLOY)	MB:Cu Ni PLATED

LTR	PART NAME	QTY	MATERIAL	REMARK
DWN	ANJOU	DATE	2006.03.23	NAME DC POWER JACK CAT. NO. WTJ-020-04PA DWN.NO. XL-020-04 003
CHKD	ANJOU	DATE	2006.03.23	
APVD	GAO WEI	DATE	2006.03.23	
JIA YI ELECTRONIC CO., LTD.				

UNLESS OTHERWISE SPECIFIED, TOLERANCE ON DECIMAL: ±0.3